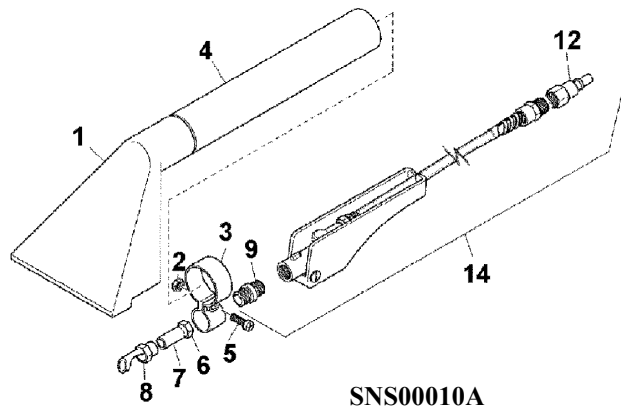
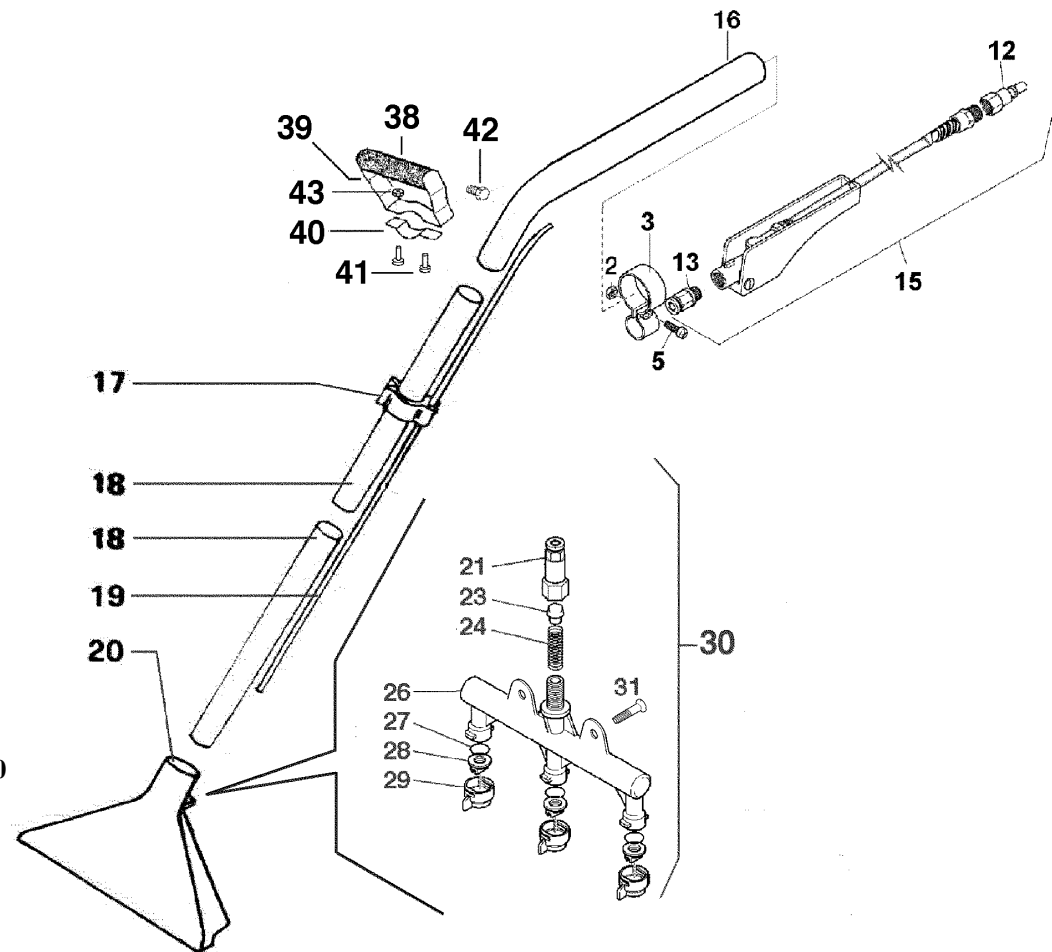


ACCESSORIES FOR SABRINA MAXI, GRACE AND ELITE SILENT



SNS00010A



SNS00300

ref	Part No	descrizione	description
1	SNS00342C		UPHOLSTERY TOOL HAND - ALUMINIUM BODY & TUBE #
2	K-NSI	DADO D.5	NUT D.5
3	SNS00319	SUPPORTO RUBINETTO	VALVE LOCK
4	SNS00339	TUBO METALLICO D.38	METAL TUBE D.38 (See ref 1)
5	K-NSI	VITE TC+ 5x20	SCREW TC+ 5x20
6	SNS00684	RACCORDO	CONNECTING PART #
7	SNS00686	PROLUNGA	EXTENSION #
8	SNS00676	UGELLO PER NS10ALL	NOZZLE FOR SNS00010A #
9	SNS00764	NIPPLO ¼ - ¼	NIPPLE ¼ - ¼ #
12	SNS00689	INNESTO RAPIDO M. ATT. F.1/4" (METALLO)	QUICK DISCONNECT MALE, ATT. F.1/4" (METAL)
13	SNS00750	INNESTO AUTOM. D.8 - M.1/4	AUTOMATIC COUPLING D.8 – M.1/4
14	3200H-M	RUBINETTO COMPLETO, INNESTO METALLO	COMPLETE VALVE, METAL COUPLING Use ref 15
15	SNS03200C	RUBINETTO COMPLETO, INNESTO METALLO	COMPLETE VALVE, METAL COUPLING
16	SNS03041	TUBO CURVO D.38 ACCIAIO INOX	HANDLE VACUUM TUBE D.38
17	SNS00318	CLIP	CLIP
18	SNS003011	TUBO DIRITTO D.38 ACCIAIO INOX	STRAIGHT VACUUM TUBE (SOLD INDIVIDUALLY)
19	VP00736	TUBO RILSAN F15 L=108CM	RILSAN PIPE F15 L=108 CM SOLD PER METRE
20	SNS00311	BOCCA IN ALLUMINIO NS300	ALUMINIUM HEAD FOR SNS00300
21	SNS07142	INNESTO AUTOMATICO D.8 ATT. F. ¼"	AUTOMATIC COUPLIND D.8, ATT. F. 1/4"

ACCESSORIES AND SPARE PARTS FOR SABRINA MAXI, GRACE & ELITE SILENT

2/2

ref	Part No	descrizione	description
23	SNS00111	GOMMINO	RUBBER PIN
24	SNS06071	MOLLA PER ANTIGOCCIA OTTONE	SPRING FOR ANTIDROP
26	SNS03287	COLLETTORE PORTAUGELLI PER NS300	NOZZLES HOLDER ONLY FOR SNS00300 (NO NOZZLES)
27	SNS03209	O-RING	O-RING
28	SNS00730	UGELLO PUNTA 0,15/80	NOZZLE TIP 0,15/80
29	SNS07180	GHIERA PER UGELLO	NUT FOR NOZZLE
30	SNS03287C	COLLETTORE COMPLETO (COD. 7142, 111, 6071, 3287N, 3209, 730, 7810+536)	COMPLETE MANIFOLD (INCLUDES REF 21, 23, 24, 26, 27, 28 & 29)
31	SNS00536	VITE TC+ 4x10 INOX	SCREW TC+ 4x10 INOX
38	K-NSI	TONDO SUPPORTO PER MANIGLIA	CILINDRIC SUPPORT FOR HANDLE Use SNS00117C
	K-NSI	MANICOTTO IN GOMMA	HANDLE GRIP Use SNS00117C
39	K-NSI	PARTE SUPERIORE MANIGLIA	UPPER PART FOR HANDLE Use SNS00117C
40	K-NSI	PARTE INFERIORE MANIGLIA	LOWER PART FOR HANDLE Use SNS00117C
41	K-NSI	VITE 6x14	SCREW – 6x14 Use SNS00117C
42	K-NSI	VITE 6x20	SCREW – 6x20 Use SNS00117C
43	K-NSI	DADO AUTOBLOCCANTE D.6	LOCKING NUT Use SNS00117C
	SNS00117C	MANIGLIA COMPLETA (PARTICOLARI DA 38A 43)	COMPLETE HANDLE (ITEMS 38 TO 43)

K-NSI Parts not stocked by Kerrick.
Maybe available from your local hardware store

Parts require special order from supplier.