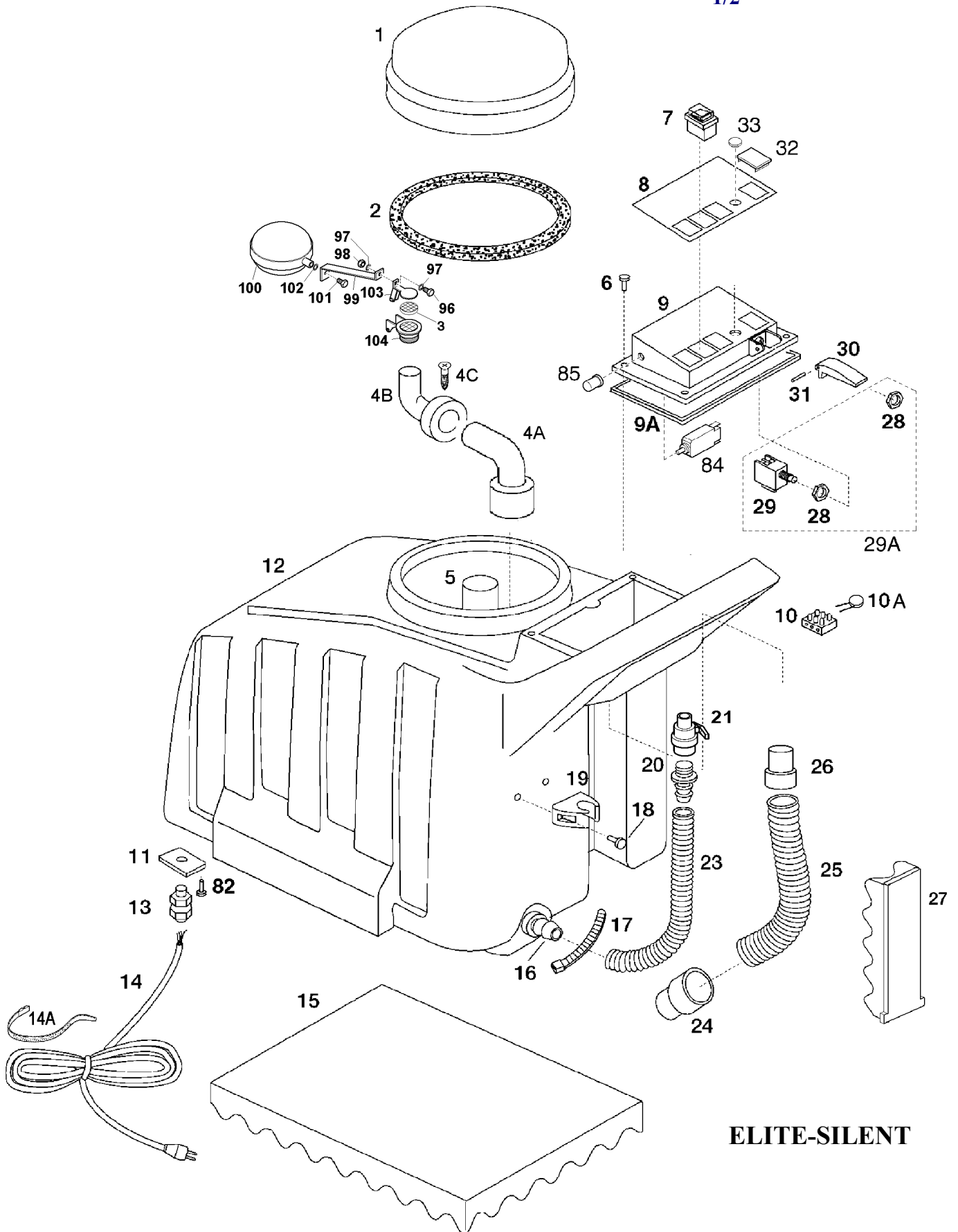


ELITE SILENT PLUS

Serial nos < 92890

1/2



ELITE-SILENT

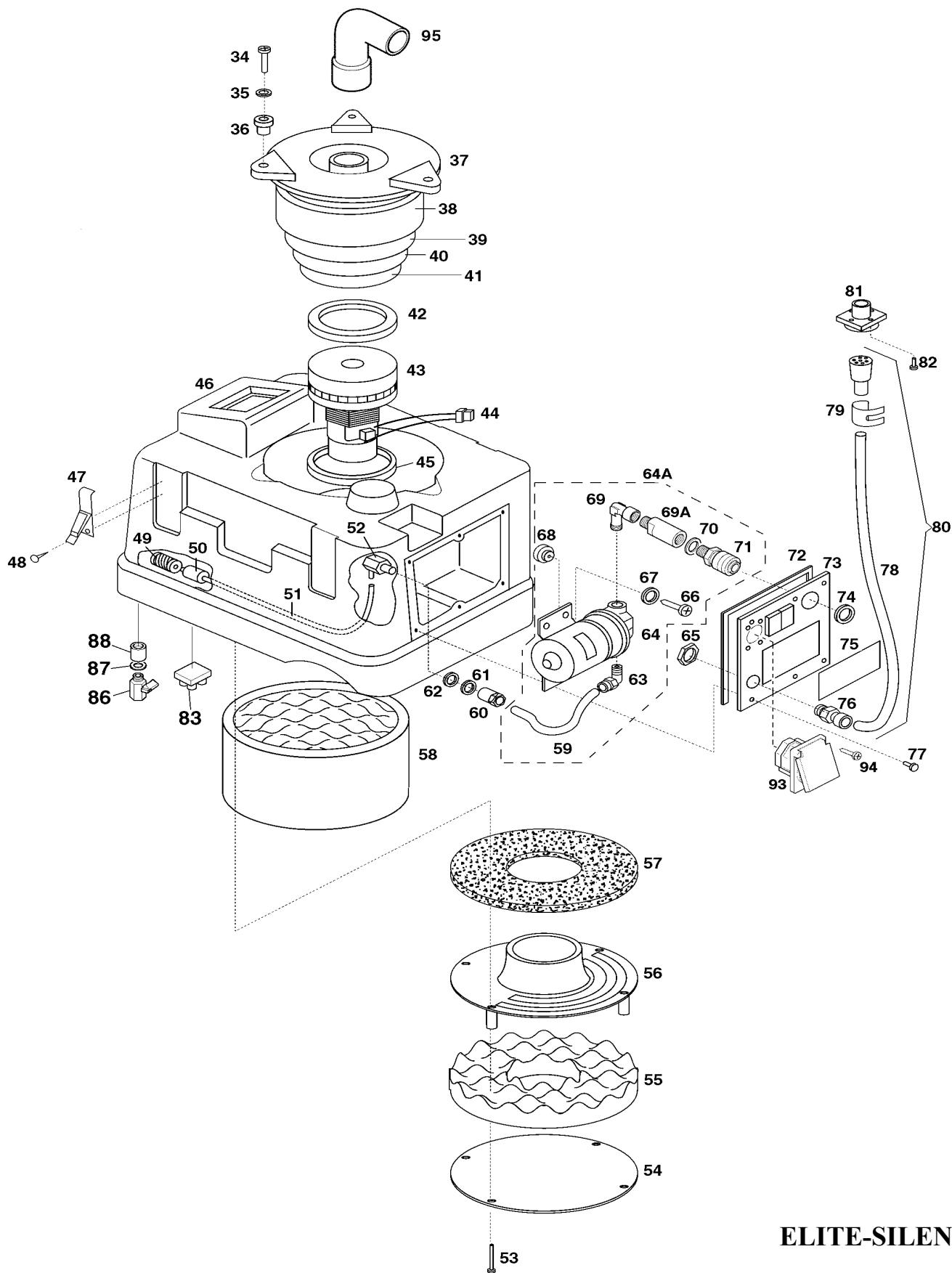
K-NSI Parts not stocked by Kerrick.
Maybe available from your local hardware store.

Part requires special order from supplier

ELITE SILENT PLUS

Serial nos < 92890

2/2



ELITE-SILENT

K-NSI Parts not stocked by Kerrick.
Maybe available from your local hardware store.

Part requires special order from supplier

ELITE SILENT PLUS

Serial nos < 92890

VE ELITE-SILENT
1/3

ref	Part No	descrizione	description
1	SNS00178C	COPERCHIO CON GUARNIZIONE	COVER WITH GASKET
2	SNS00179	GUARNIZIONE	GASKET (See ref 1)
3	SNS02025	FILTRO PPI30 D.44	FILTRO PPI30 D.44
4A	SNS00153	GOMITO GRANDE + GUARNIZIONE	BIG ELBOW + GASKET #
4B	SNS01312	GOMITO PER GALLEGGIANTE SERENA.	ELBOW FOR OLD GRACE/ELITE
4C	SNS00519	RIVETTO 3,8 x 12	RIVET 3,8 x 12
5	SNS00183	GOMITO 45°	ELBOW 45° #
6	K-NSI	VITE TC+ 4x16	SCREW TC+ 4x16
7	VP00326	INTERRUTTORE A 2 POSIZIONI	2 POSITIONS WHITE SWITCH
	SNS00220	INTERRUTTORE A 3 POSIZ. (PER POMPA)	3 POSITION SWITCH (FOR PUMP) #
8	SNS01191	ETICHETTA PANNELLO	PANEL LABEL #
9	SNS00177	PANNELLO COMANDI	CONTROL PANEL #
9A	SNS00128	GUARNIZIONE PANNELLO	PANEL GASKET #
10	SNS02361	MORSETTO	CONNECTING TERMINAL #
10A	SNS08132	VARISTORE PER POMPA	VARISTOR FOR PUMP #
11	SNS00109	PIASTRINA PER PRESSACAVO	FAIRLEAD PLATE #
12	SNS00190AZ	SERBATOIO SUPERIORE AZZURRO	BLUE UPPER TANK
13	K-NSI	PASSACAVO CON GHIERA	FAIRLEAD WITH NUT
14	N/A	CAVO 3 x 1,5 x 15m SPINA EURO	CABLE – 3 x 1,5 x 15m EURO PLUG
	N/A	CAVO 3 AWG14 x 15m SPINA USA	CABLE – 3 x AWG14 x 15m USA PLUG
15	SNS00192	PANNELLO INSONORIZZANTE	SOUNDPROOFING PANEL #
16	SNS00161	PORTAGOMMA	HOSE NIPPLE
17	SNS00541	FASCETTA	TIE #
18	K-NSI	VITE 4,2x22	SCREW 4,2x22
19	SNS00160	CLIP	CLIP
22	SNS00162	FASCETTA	TIE
	1591C-MAXI	TUBO SCARICO CON TAPPO	DRAIN HOSE WITH CAP (See ref 23)
23	SNS00358C	TUBO SCARICO COMPLETO: CODICI 541 + 1591C-MAXI	COMPLETE DRAIN HOSE: CODICI 541 + 1591C-MAXI
24	SNS03340N	MANICOTTO D. 38 SPESSORATO	CUFF D. 38 WITH EXTERNAL LAYER #
25	SNS00364	TUBO D.38 L=34 CM + MANICOTTI 334+3340N	HOSE D.38 L=34 CM C/W CUFFS 334+3340N
26	SNS00334	MANICOTTO D. 38	CUFF D. 38
27	SNS00193	INSONORIZZANTE	SOUNDPROOFING PANEL
29A	SNS00231C	MICROINTERRUTTORE COMPLETO DI SUPPORTO + GHIERE (COD.277+231)	MICRO-SWITCH, COMPLETE WITH SUPPORT AND 2 NUTS (COD.277+231) #
30	SNS04571	LEVA COMANDO AVANZAMENTO	DRIVE LEVER
31	SNS00599	SPINA DIAM.4	PIN
32	SNS05021	TAPPO DI CHIUSURA	CAP #
33	SNS00502	TAPPO DI CHIUSURA	CAP #
34	K-NSI	VITE TC+ 5x30 INOX	SCREW STAINLESS STEEL TC+ 5x30
35	K-NSI	RONDELLA 5x15 INOX	STAINLESS STEEL WASHER 5x15

K-NSI Parts not stocked by Kerrick.
Maybe available from your local hardware store.

Part requires special order from supplier

ELITE SILENT PLUS

Serial nos < 92890

VE ELITE-SILENT
2/3

ref	Part No	descrizione	description	
36	SNS07361	ANTIVIBRANTE	VIBRATION DAMPING	#
37	SNS00194	SILENZIATORE IN ALLUMINIO	ALUMINIUM SILENCER FLANGE	#
38	SNS00195	FILTRO INSONORIZZANTE	SOUNDPROOFING FILTER	
39	SNS00196	FILTRO INSONORIZZANTE	SOUNDPROOFING FILTER	
40	SNS00197	FILTRO INSONORIZZANTE	SOUNDPROOFING FILTER	
41	SNS00198	FILTRO INSONORIZZANTE	SOUNDPROOFING FILTER	
42	SNS81213	GUARNIZIONE MOTORE 13mm (PER 808PA)	MOTOR GASKET 13mm (FOR SNS00808PA)	
	SNS00825	GUARNIZIONE MOTORE 3mm (PER 808)	MOTOR GASKET 3mm (PER SNS00808)	
43	SNS00808PA	MOTORE 3 STADI 1500W ALTA DEPRESSIONE 220-240V (S/N > 47090)	HIGH WATERLIFT 3 STAGE VACUUM MOTOR 1500W 220-240V (S/N > 47090) Flat Base	
	SNS00808	MOTORE 3ST.1300W 220-240V 50/60Hz (S/N <47089)	3 STAGE MOTOR 1300W 220-240V 50/60Hz (S/N<47089) Dome Base	
44	SNS00234	CONNETTORE	CONNECTOR	#
	SNS00250	FASTON MASCHIO 6,3mm	MALE FASTON – 6,3mm	#
45	SNS00825	GUARNIZIONE MOTORE 3mm	MOTOR GASKET 3mm	
46	SNS00191AZ	SERBATOIO INFERIORE AZZURRO	BLUE LOWER TANK	#
47	SNS00142	GANCIO	COUPLER	
48	K-NSI	VITE TC+ 4,2x16	SCREW TC+ 4,2x16	
49	SNS00608	FILTRO ACQUA	FILTER	#
50	SNS00747	ZAVORRA	BALLAST	
51	SNS00745	TUBO EXTRAFLEX	EXTRAFLEX PIPE	
52	SNS00702D	PORTAGOMMA	HOSE NIPPLE	
53	K-NSI	VITE TC 5x65	SCREW TC 5x65	
54	SNS00199	PANNELLO CIRCOLARE INFERIORE	CIRCULAR LOWER PANEL	#
55	SNS00200	DISCO INSONORIZZANTE INF.	LOWER SOUNDPROOFING DISC	#
56	SNS00201	FLANGIA INF. MOTORE	LOWER MOTOR FLANGE	
57	SNS00202	FILTRO CIRCOLARE INF.	LOWER SOUNDPROOFING FILTER	#
58	SNS00132	CILINDRO INSONORIZZANTE INF.	LOWER SOUNDPROOFING CILINDER	#
59	SNS00746	TUBO RILSAN	RILSAN PIPE	
60	SNS00714	INNESTO RAPIDO FEMMINA	QUICK DISCONNECT FEMALE	
61	SNS00540	RONDELLA OTTONE	BRASS WASHER	
62	SNS00147	RONDELLA NEOPRENE	NEOPRENE WASHER	
63	SNS00622	RACCORDO A GOMITO	ELBOW	
64	643	POMPA 220-240V 50-60 Hz 135PSI+RADDRIZZ.27935	PUMP 220-240V 50-60 Hz 135 PSI+RECTIF.27935 (See ref 64A)	
	644	POMPA 100-120V 50-60 Hz 135 PSI (RETTIF. INTERNO)	PUMP 100-120V 50-60 Hz 135 PSI (INTERNAL RECT.) (Not used in Australia)	
64A	SNS00643C-M	POMPA 220-240V 50-60 Hz 100 PSI+ RADDRIZZ.27935 + RACCORDI + INN. IN METALLO	PUMP 220-240V 50-60 Hz 100 PSI + RECTIF.27935 + FITTINGS + METAL COUPLING	
	644C-M	POMPA 100-120V 50-60 Hz 100 PSI (RETTIF.INTERNO) + RACCORDI + INN. IN METALLO	PUMP 100-120V 50-60 Hz 100 PSI (INTERNAL RECTIF.) + FITTINGS + METAL COUPLING (Not used in Australia)	
65	K-NSI	GHIERA	RING NUT	
66	K-NSI	VITE TC+ 5x25	SCREW TC+ 5x25	
67	K-NSI	RONDELLA 5x15	WASHER 5x15	

K-NSI Parts not stocked by Kerrick.
Maybe available from your local hardware store.

Part requires special order from supplier

ELITE SILENT PLUS

Serial nos < 92890

VE ELITE-SILENT
3/3

ref	Part No	descrizione	description	
68	SNS07360	ANTIVIBRANTE	VIBRATION DAMPING	#
69	SNS00720	RACCORDO A GOMITO	ELBOW	
69A	SNS00753	PROLUNGA PER INNESTO IN METALLO	EXTENSION FOR METAL COUPLING	
70	SNS01371	GUARNIZIONE PER INNESTO 687-PE	GASKET FOR COUPLING 687-PE	
71	SNS00687-T	INNESTO RAPIDO FEMMINA – METALLO	QUICK DISCONNECT FEMALE – METAL	
72	SNS00186	GUARNIZIONE PANNELLO	PANEL GASKET	#
	148G	PANNELLO INF. ELITE (SENZA FORO PER PRESA)	LOWER PANEL FOR ELITE(WITHOUT HOLE FOR PLUG) Use ref 73	
73	SNS00148SG	PANNELLO INF. ELITE (CON FORO PER PRESA)	LOWER PANEL FOR ELITE (WITH HOLE FOR PLUG)	
74	SNS00163	BOCCOLA	BUSH	
75	SNS01190	ETICHETTA INFERIORE	LOWER PANEL LABEL	#
76	SNS00262	RACCORDO	CONNECTING PART	
77	K-NSI	VITE INOX TC+ 4x10	STAINLESS STEEL SCREW TC+ 4x10	
78	291	GUAINA	CABLE SHEATH – Use ref *)	
79	SNS00265	FASCETTA	TIE	
80	SNS00291-ELITE	GUAINA CON CAVETTI +COD.260+265	CABLE SHEATH WITH WIRES+COD.260+265	
81	SNS00259-ELITE	CONNETTORE A PANNELLO CON CAVETTI	SOCKET + WIRES	
82	K-NSI	VITE TC+ 3,9x13	SCREW TC+ 3,9x13	
83	SNS27935	RADDRIZZATORE MOTORE SPAZZOLA	RECTIFIER FOR BRUSH MOTOR	
84	SNS00293	PROTEZIONE MOTORE SPAZZOLA 110V (1,5 A)	CIRCUIT BREAKER FOR 110V BRUSH MOTOR (1,5 A)	
84	SNS02908	PROTEZIONE MOTORE SPAZZOLA 220V (0,8 A)	CIRCUIT BREAKER FOR 220V BRUSH MOTOR (0,8 A)	
85	SNS00294	COPERTURA IN GOMMA	CAP FOR CIRCUIT BREAKER	
86	SNS00751	VALVOLA DI SCARICO	DRAIN VALVE	
87	SNS05210	RONDELLA DENTATA DIAM. 12 mm.	LOCKING WASHER DIAM.12mm.	
88	SNS00752	RACCORDO	CONNECTING PART	#
89	SNS00295	PASSACAVO CON GHIERA	FAIRLEAD WITH NUT	#
90	SNS27935	RADDRIZZATORE ESTERNO PER POMPA SHURFLO	EXTERNAL RECTIFIER FOR SHURFLO PUMP	
91	SNS00290	FILTRO ANTIDISTURBO RADIO PER POMPA	PUMP RADIO INTERFERENCE SUPPRESSOR	
91A	K-NSI	VITE AUTOF. TC+ 3,9x13	SCREW TC+ 3,9 x 13	
92	SNS00235	FILTRO ANTIDISTURBO RADIO PER MOTORE	MOTOR RADIO INTERFERENCE SUPPRESSOR	
93	N/A	PRESA A PANNELLO TIPO EURO	ELECTRICAL OUTLET FOR EURO PLUG	
94	K-NSI	VITE AUTOFIL. TC+ 3.9x13	SCREW TC+ 3,9x13	
95	SNS00153.1	GOMITO GRANDE	ELBOW	#
96	K-NSI	VITE TE 4x12 INOX	SCREW TE 4x12 INOX	
97	K-NSI	RONDELLA DENTELLATA EST. DIAM 4 Zn	LOCKING WASHER DIAM. 4 Zn	
98	K-NSI	DADO ES. 4 MA UNI 5587 OTTONE	NUT DIAM. 4mm	
99	SNS01713	PIASTRINA PER GALLEGGIANTE MAXIFOAM	PLATE FOR MAXI FOAM FLOATER	
100	SNS01707	GALLEGGIANTE SFERICO CON SEDE PER VITE	SPHERICAL FLOATER	
101	SNS58206W	VITE TE 6x8 1/4X3/8 WHITWORTH	SCREW TE 6x8 1/4X3/8 WHITWORTH	
102	K-NSI	RONDELLA DENTELLATA EST. DIAM 6 INOX	LOCKING WASHER DIAM. 6 INOX	
103	SNS17041	CORPO MOBILE PER GALLEGGIANTE GRACE	MOVING PART FOR GRACE FLOATER	
104	SNS17031	CORPO FISSO PER GALLEGGIANTE GRACE	FIXED PART FOR GRACE FLOATER	

K-NSI Parts not stocked by Kerrick.
Maybe available from your local hardware store.

Part requires special order from supplier