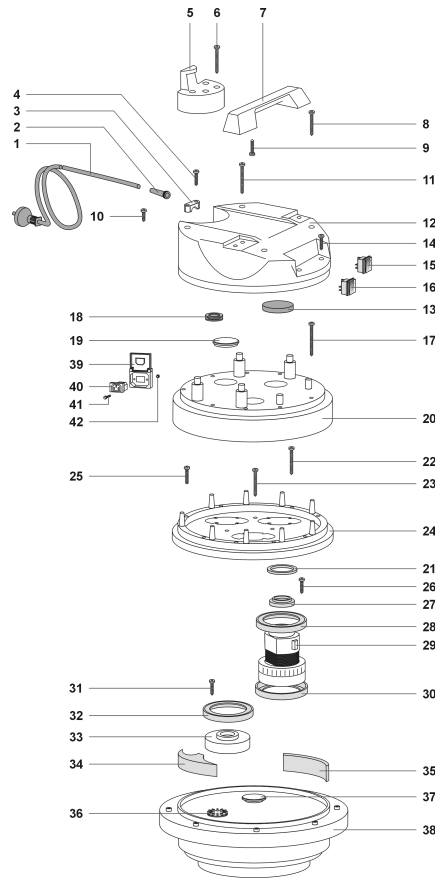


## **Spare Parts List**

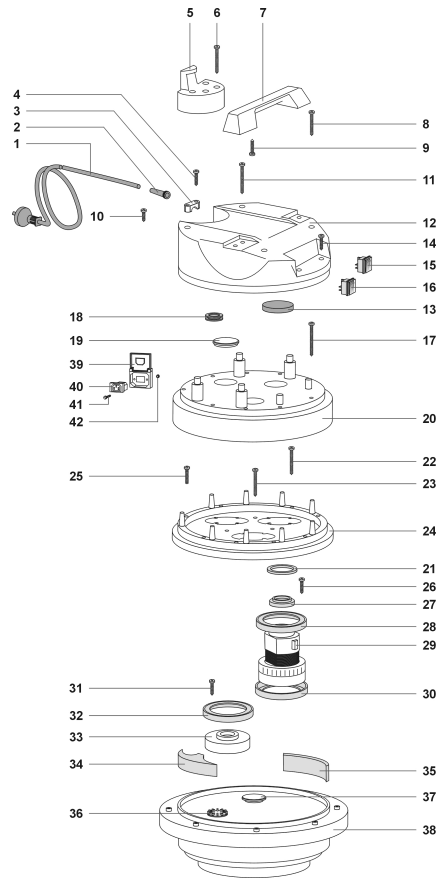
VE366F  
Model: GARAGE DETAILER

# HEAD - VP03711



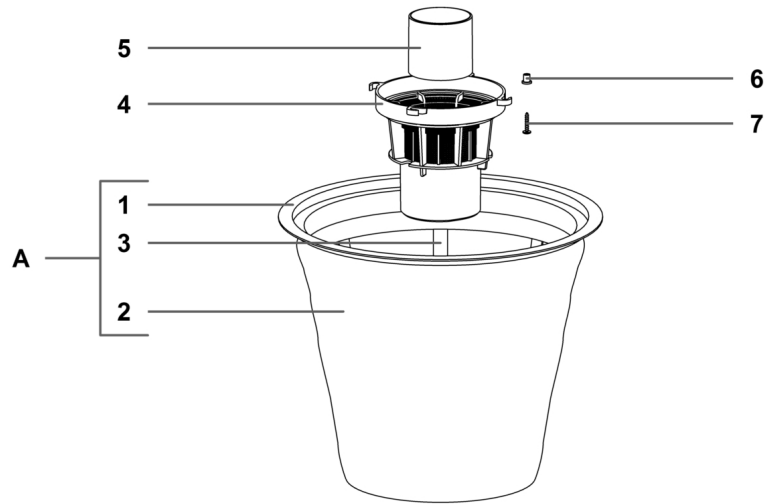
Ref.	Part No	Kerrick Part No	Description	Quantity	Validity		Price
					From	To	
#	PMQE00267	TBA	ELECTRIC KIT ESTR.600 PUMP ULKA	1,00			--
#	MECB01825	TBA	MOTOR WIRING 50 CM POKE-IN	2,00		31/01/2021	--
#	FSVR00127	TBA	CLAMP	16,00			--
#	PEL00080	TBA	PUMP GROUP FLASH 250V	1,00			--
#	MECB01826	TBA	WIRING 50CM MOTORE POKE-IN-TP	2,00	01/02/2021		--
0001	MECB01050	K-NSI	ELECTRIC CORD 3X1,5 (AUS)	1,00			--
0002	MEVR28673	VP00138	FAIRLEAD	1,00			--
0003	MPVR28690	VP00139	CABLE CLAMP	1,00			--
0004	VTVT71961	K-NSI	SCREW PFU TMT PHL 5X20 ZN NERA	2,00			--
0005	MPVR09471	VP03032	HOOK P/CABLE MEC 600 GR.6000	1,00			--
0006	VTVT72106	K-NSI	SCREW PAT TMT PHL 5X40 BLACK	4,00			--
0007	MPVR09493	VP03034	HANDLE MEC 600 GREY 6000	1,00			--
0008	VTVT71971	K-NSI	SCREW PAT TMT PHL 5X35 BLACK	2,00			--
0009	VTVT71961	K-NSI	SCREW PFU TMT PHL 5X20 ZN NERA	4,00			--
0010	VTVT71960	K-NSI	SCREW SCREW PAT TMT PHL 5X14 ZN	2,00			--
0011	VTVT32295	K-NSI	SCREW PAT TMT PHL 5X50	2,00			--
0012	PMVR05444	VP03107	TOP COVER - RED	1,00			--
0013	FTDP38064	VP03037	FILTER MTP/65 H=15 D.95	2,00			--
0014	VTVT71961	K-NSI	SCREW PFU TMT PHL 5X20 ZN NERA	2,00			--
0015	MECI28744	VP00484	ANTISPLASH RED LIGHT SWITCHER	2,00			--
0016	MECI2268	VP00756	ANTISPLASH GREEN LIGHT SWITCH	1,00			--
0017	VTVT40007	K-NSI	SCREW PAT TMT PHL 5X55 BLACK	9,00			--
0018	MEVR72017	VP01502	GUIDING SLIT FOR QUICK COUPLING	1,00			--
0019	MPVR38053	VP03383	COVERING CAP	1,00			--
0020	PMVR05601	VP02957	COVERING STORM GREY 6000	1,00			--
0021	# MPVR38371	TBA	WASHER H8 D85X65	2,00			--
0022	VTVT72106	K-NSI	SCREW PAT TMT PHL 5X40 BLACK	9,00			--
0023	VTVT72106	K-NSI	SCREW PAT TMT PHL 5X40 BLACK	3,00			--
0024	MPVR28751	VP02937	MOTOR-FASTENER NEV.600 NORMAL.RED	1,00			--
0025	VTVT01181	K-NSI	SCREW TC CROSS M 5X30 UNI 7687	1,00			--
0026	VTVT71961	K-NSI	SCREW PFU TMT PHL 5X20 ZN NERA	8,00			--
0027	MPVR86282	VP00310	RING MOTORE H=7 (15) PLAST.	2,00			--
0028	GUGO28683	VP03901	"L" GASKET W/O HOLES H=5,5	2,00			--
0029	MOMO00358	VP03973S	MOTOR BD302 1000W 240-250 50/60	2,00		31/01/2021	--
0029	# MOMO28716	TBA	MOT.BD302 1000W 220-240V 50-60HZ	2,00	01/02/2021		--
0030	GUGO28683	VP03901	"L" GASKET W/O HOLES H=5,5	2,00			--
0031	VTVT71961	K-NSI	SCREW PFU TMT PHL 5X20 ZN NERA	4,00			--
0032	GUGO28683	VP03901	"L" GASKET W/O HOLES H=5,5	1,00			--
0033	MPVR07346	VP03451	MOTOR BLOCK	1,00			--
0034	FTDP38057	VP03454	ANTINOISE TRIANGLE H=51	3,00			--
0035	FTDP28745	VP03456	GASKET MTP/30 AU-AD 50X10X85	3,00			--
0036	MPVR28748	VP00468	AUTOMATIC VALVE	2,00			--
0037	MPVR38058	VP03519	BASE CAP	1,00			--
0038	MPVR02262	VP03108	BASE 600/400 W/GASK.W/PLATE GR6	1,00			--

# HEAD - VP03711



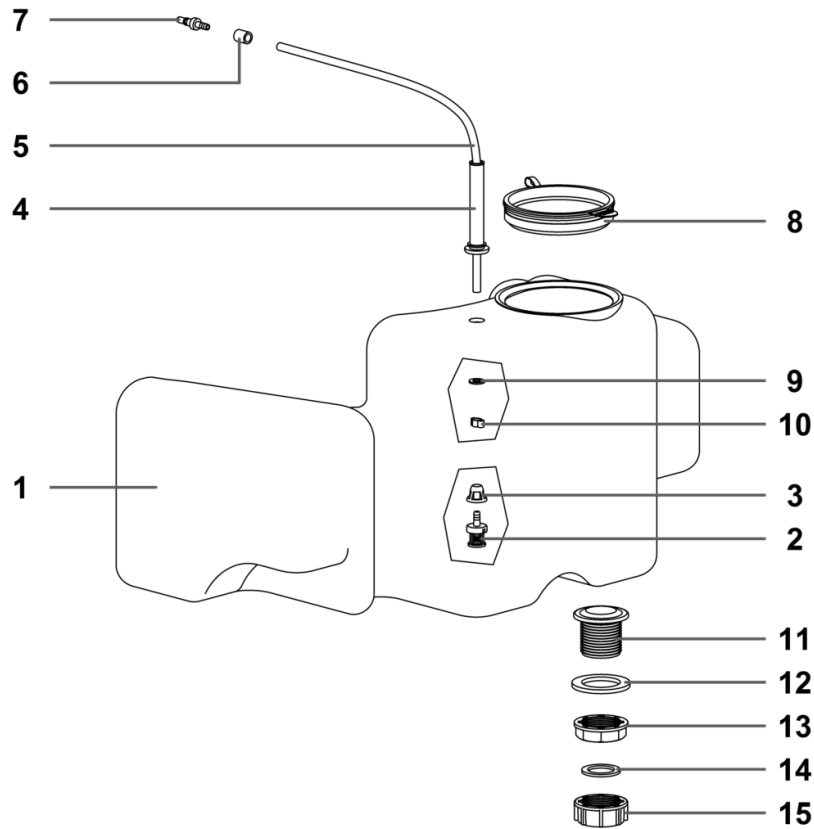
Ref.	Part No	Kerrick Part No	Description	Quantity	Validity		Price
					From	To	
0039	# MEVR29329	TBA	ADD.SOCKET PROTECTION	1,00			--
0040	# MEVR29330	TBA	SCREWED ADDITIONAL SOCKET	1,00			--
0041	VTVT01029	K-NSI	SCREW TSP M 3X25 UNI 610	2,00		31/01/2021	--
0041	VTVT01091	K-NSI	SCREW TSP W/ACC. M 3X16 UNI6109	2,00	01/02/2021		--
0042	VTDD00227	K-NSI	NUT M 3 UNI 5588	2,00		31/01/2021	--
0042	MPVR12331	K-NSI	SPACER PLASTIC D.10 D.6,3X20	2,00	01/02/2021		--

# FILTERING KIT



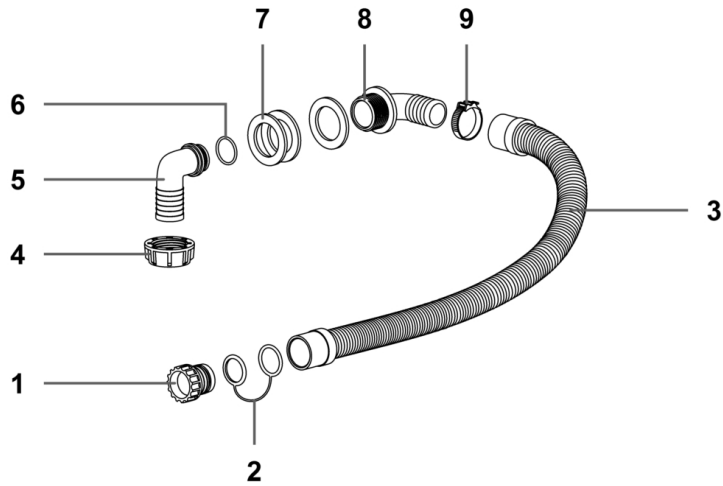
Ref.	Part No	Kerrick Part No	Description	Quantity	Validity		Price
					From	To	
A	FTDP28733	USE REF 1 2 & 3	KIT RING+FILT+BASK.400 CONIC.SAN	1,00			--
0001	MPVR35807	VP00473	FILTER RING 400	1,00			--
0002	FTDP00523	VP02845	FILTER POLY AN4-600 CON REG H320	1,00			--
0003	MPVR09199	VP02833	CONICAL BASKET 400	1,00			--
0004	MPVR40521	VP02823	NET ANTIFOAM BODY HIGH	1,00			--
0005	RCGR40008	VP02676	HIGH FLOAT 99 W/GASKET 37 SHA	1,00			--
0006	MPVR35796	VP03706	BUSHING PLASTIC SLEEVE D.8	4,00			--
0007	VTVT36751	K-NSI	SCREW SCREW PAT TMT PHL 5X25	4,00			--

# Clean Water Tank Assembly - VP01442



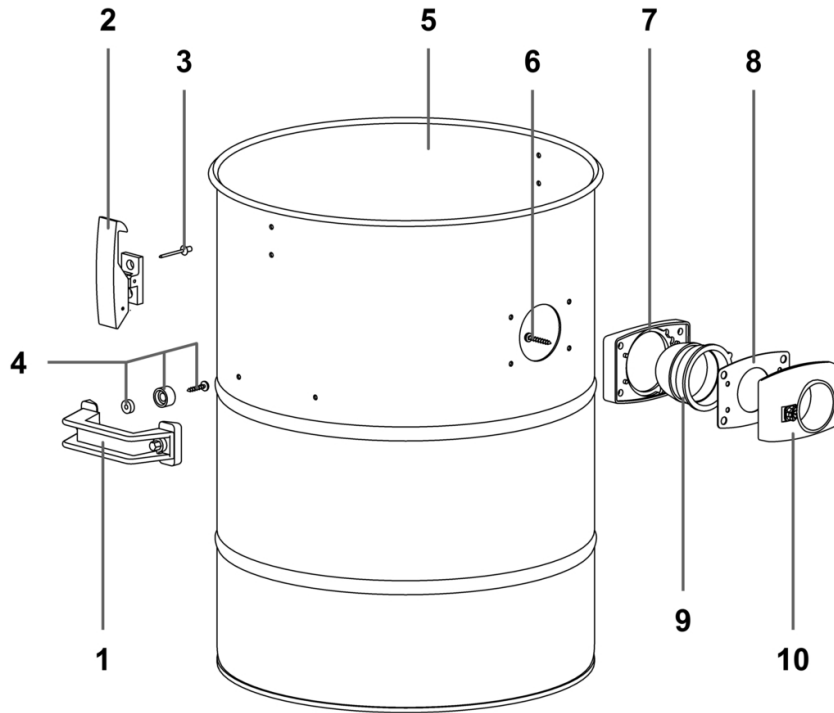
Ref.	Part No	Kerrick Part No	Description	Quantity	Validity		Price
					From	To	
0001	MPVR06185	VP01439	CL.WATER DRUM	1,00			--
0002	FTDT72115	VP02689	COMPLETE DIP FILTER	1,00			--
0003	# RCDS72165	TBA	DIP LOCKING FILTER	1,00			--
0004	# MEVR02216	TBA	FAIR-LEAD LONG	1,00			--
0005	TBBP72261	VP00723	HYDROLITIC HOSE 8x5 PER METER	1,10			--
0006	FSVR38348	VP03171	PLAST CLIP D.8	1,00			--
0007	RCIN38912	VP03664	BRASS QUICK COUPLING P.G5,2	1,00			--
0008	MPVR87032	VP00257	TANK CAP	1,00			--
0009	VTRS13947	K-NSI	WASHER D. 8 INX UNI 6592	1,00			--
0010	FSVR72112	VP02660	STRICK CLIP 7-9	1,00			--
0011	MPVR40140	VP00835	FILLING PIPE 1-1/4"	1,00			--
0012	GUGO41219	VP00256	GASKET 60X40X4	1,00			--
0013	MPVR41218	VP00834	RING 1-1/4"	1,00			--
0014	GUVR40018	VP00255	CAP GASKET	1,00			--
0015	RCVR40015	VP00833	CAP 1-1/4"	1,00			--

# Drain Hose Kit - VP02994



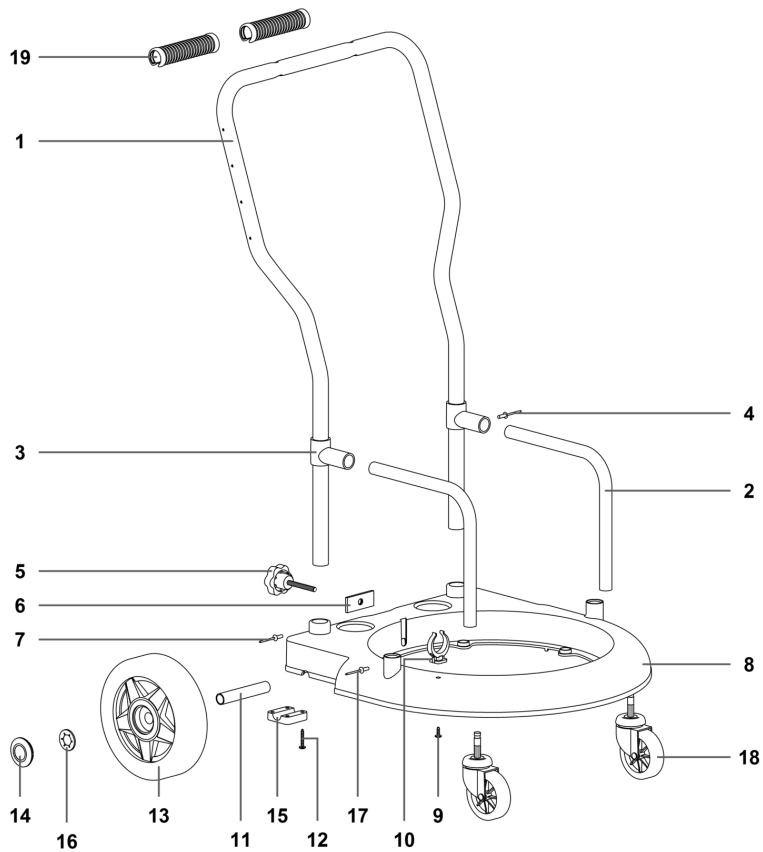
Ref.	Part No	Kerrick Part No	Description	Quantity	Validity		Price
					From	To	
0001	# MPVR10436	TBA	PLASTIC TOP D.40 X 35 C/OR COMPL (Alternate VP02764).	1,00			--
0002	MPVR41222	VP02812	TIE ROD CAP	1,00			--
0003	TBFX41220	VP02765	DRAIN TUBE D.34 L=600	1,00			--
0004	RCVR00341	VP02889	CONNECTION 1-1/4"	1,00			--
0005	RCVR00756	VP02888	CONNECTOR -	1,00			--
0006	GUGO00345	VP07798	O-RING 28 X 2,5 NBR	1,00			--
0007	GUGO41219	VP00256	GASKET 60X40X4	3,00			--
0008	RCVR41224	VP02890	RUBBER HOLDER UNION CURVED 90°1-1/4	1,00			--
0009	FSVR00074	VP03592	CLIP 300X9	1,00			--

TANK - VP00948



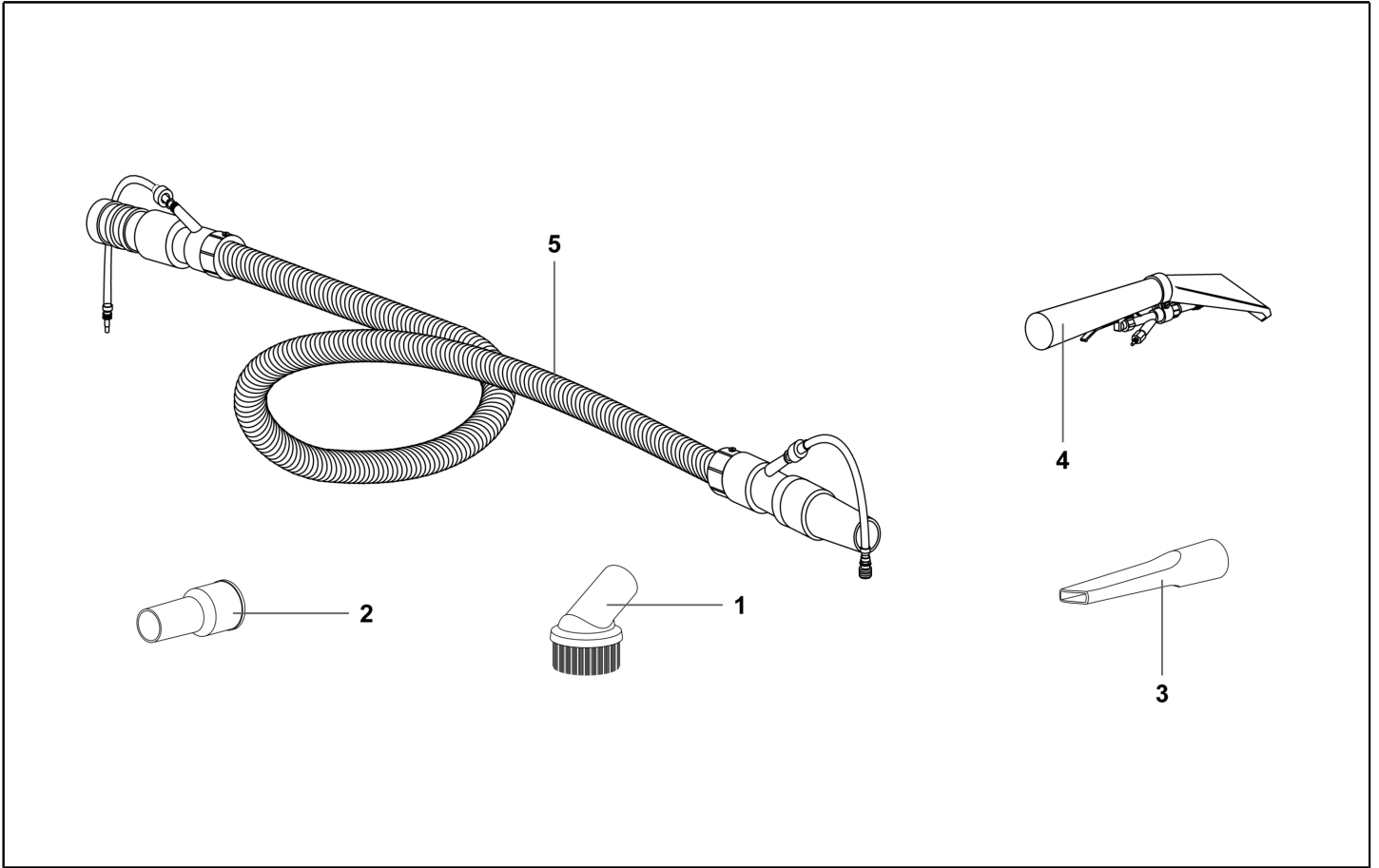
Ref.	Part No	Kerrick Part No	Description	Quantity	Validity		Price
					From	To	
0001	MPVR09429	VP02993	HANDLE GREY 6000	2,00			--
0002	PMVR02871	Use VP01847	PLASTIC HOOK COMPL. GR6000	2,00		26/01/2021	--
0002	CHVR28735	VP01847	COMPLETE PLASTIC HOOK BLACK	2,00	27/01/2021		--
0003	VTVR71991	K-NSI	RIVET 5X11	4,00			--
0004	PMVR04099	K-NSI	COMPL.SEAL JOI. W/VITE L=25 INOX	4,00			--
0005	LAFN06533	VP00946	TANK GARAGE/CALIFORN. AISI 304	1,00			--
0006	VTVT01190	K-NSI	SCREW AUT.TC PHL 4,8X32 INOX	4,00			--
0007	MPVR08681	VP02653	GASKET R 205 GREY 6000	1,00			--
0008	GUGO28701	VP02653	GASKET D.38	1,00			--
0009	MPVR28696	VP02653	DEFLECTOR 99	1,00			--
0010	MPVR09002	VP02653	PIPE UNION R155 G6000 C/PUL.RN	1,00			--

# TROLLEY - VP01369



Ref.	Part No	Kerrick Part No	Description	Quantity	Validity		Price
					From	To	
0001	LAFN09734	VP00918	HANDLE MARKET 400 BLACK	1,00			--
0002	# MPVR02240	TBA	VARNISHED SUPPORT TUBE	2,00			--
0003	# LAFN03247	TBA	HOSE T ST.MKT	2,00			--
0004	VTVR00396	K-NSI	RIVET 4,8X17 BLACK	2,00			--
0005	# VTVR00162	TBA	HAND-WHEEL M 8X60	1,00			--
0006	# LAFN06613	TBA	PLATE LOCKING THREADED	1,00			--
0007	VTVR00396	K-NSI	RIVET 4,8X17 BLACK	2,00			--
0008	# MPVR08479	TBA	TROLLEY BODY 400 MARKET B	1,00			--
0009	VTVT71960	K-NSI	SCREW SCREW PAT TMT PHL 5X14 ZN	1,00			--
0010	FSVR41221	VP02788	LIRA CLAMP D.34	1,00			--
0011	# LAFN09549	TBA	WHEEL PIN D.18X105 SP.1.5 ZN	2,00			--
0012	VTVT71966	K-NSI	SCREW PAT TMT PHL 5X30 BLACK	8,00			--
0013	RTRT85069	VP00904	REAR WHEEL D.200	2,00			--
0014	MPVR85070	VP03835	WHEEL CAP D.200/250 BLACK	2,00			--
0015	MPVR28774	VP02967	LOCK PIVOT BRACKET	2,00			--
0016	MPVR86321	VP02557	BLOC. D.18	2,00			--
0017	VTVR00396	K-NSI	RIVET 4,8X17 BLACK	2,00			--
0018	RTRT40020	VP020418	FRONT WHEEL D.80 W/PIVOT (ALT VP00479)	2,00			--
0019	MPVR02288	VP06250	GRIP PLAST.CARRELLO GR.5000	2,00		11/05/2022	--
0019	# MPVR10119	TBA	GRIP PLAST.CARRELLO NERO	2,00	12/05/2022		--

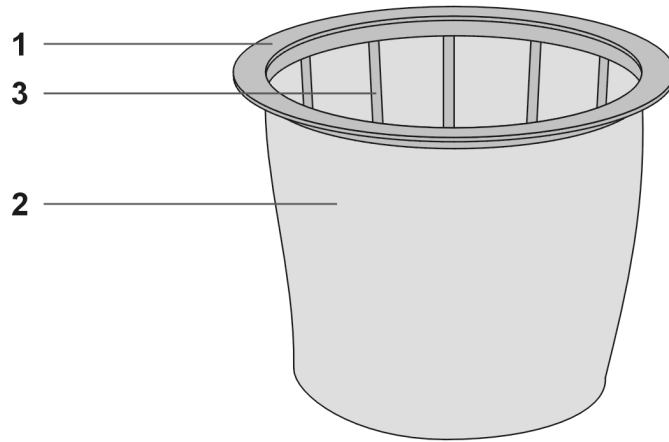
# ACCESSORIES



Ref.	Part No	Kerrick Part No	Description	Quantity	Validity		Price
					From	To	
0001	SPPV28243	VP00004	ROUND TOOL	1,00			--
0002	# MPVR28241	TBA	PVC ADAPTOR 38/36	1,00			--
0003	SPPV28242	VP00617	FLAT LANCE D.36	1,00			--
0004	SPPV28251	VP00752	UPHOLSTERY TOOL W/BRASS FITTING	1,00			--
0005	TBFX01252	VP02568	FLEXIBLE HOSE 38 MT.8 C/IDR.ESTR. TYP3	1,00			--

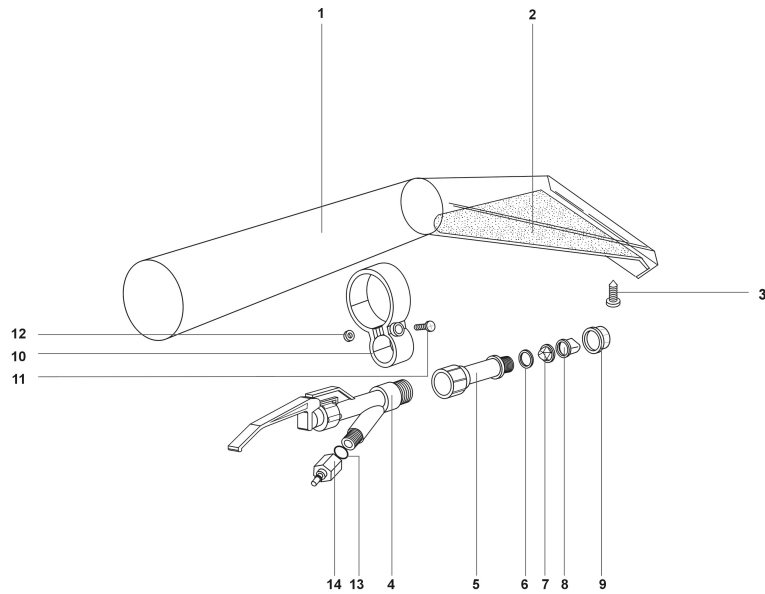


# CLOTH FILTER ASSEMBLY



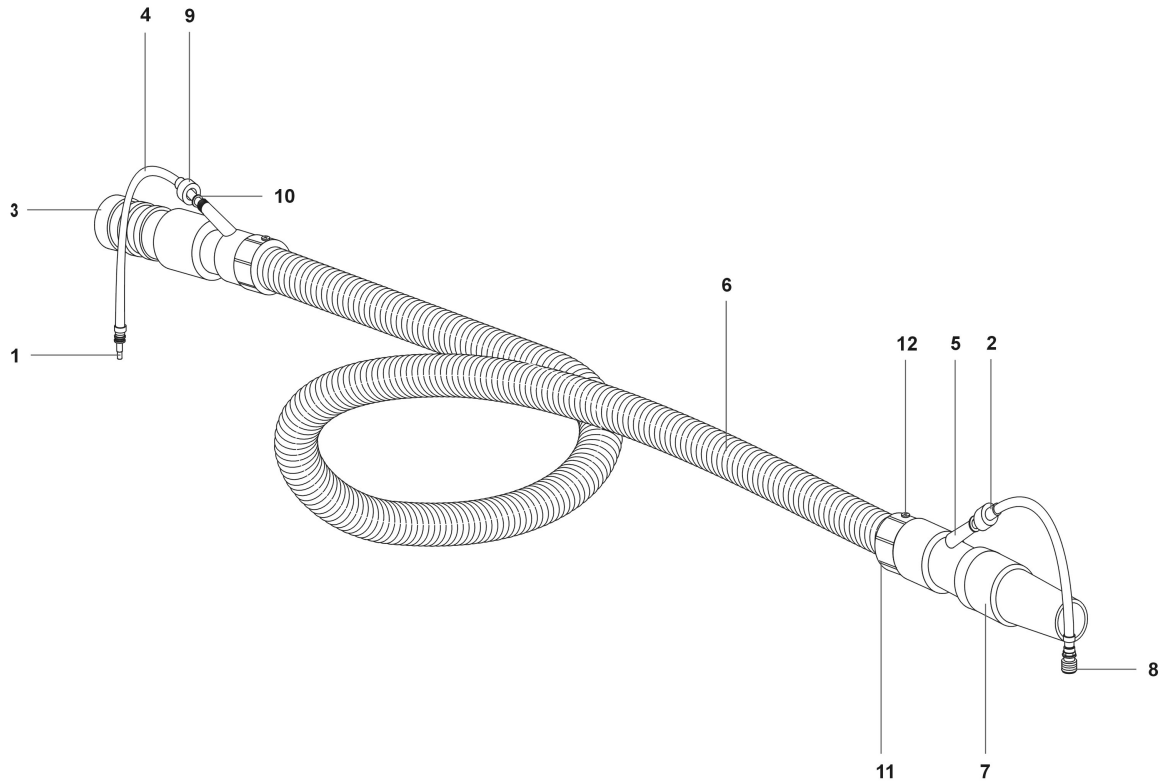
Ref.	Part No	Kerrick Part No	Description	Quantity	Validity		Price
					From	To	
0001	MPVR35807	VP00473	FILTER RING 400	1,00			--
0002	FTDP00523	VP02845	FILTER POLY AN4-600 CON REG H320	1,00			--
0003	MPVR09199	VP02833	CONICAL BASKET 400	1,00			--

# UPHOLSTERY TOOL VP00752



Ref.	Part No	Kerrick Part No	Description	Quantity	Validity		Price
					From	To	
0001	MPVR11513	VP00651	OPENING BODY D.36/38 TRASPARENTE NEW	1,00	14/01/2019		--
0002	# MPVR11648	TBA	SMALL PLATE BOCCHETTA NEW	1,00	14/01/2019		--
0003	VTVT01189	K-NSI	SCREW AUT.TC PHL 3,9X13 STAIN.	4,00			--
0004	RCGR86949	VP00726	TRIGGER.	1,00			--
0005	RCVR31726	VP02760	EXTENSION 3/8"-1/4"	1,00			--
0006	VTRS72168	VP03060	RUBBER WASHER D.15X9,5X1,5	1,00			--
0007	FTDT31725	VP02711	INOX JET FILTER	1,00			--
0008	UGLN30851	VP02759	PLASTIC NOZZLE C1 02/80° YELLOW	1,00			--
0009	MPVR31724	VP02713	NOZZLE HOLDER 3/8" F	1,00			--
0010	MPVR31723	VP00724	CLAMP FOR UPHOLSTERY TOOL	1,00			--
0011	VTVT85000	K-NSI	SCREW M 5X25	1,00			--
0012	VTDD71969	K-NSI	NUT NUT M 5	1,00			--
0013	GUGO72029	VP01610	O RING 9	1,00			--
0014	RCIN38913	VP03691	BRASS QUICK COUPLING 1/4" F	1,00			--

# FLEXIBLE HOSE ASSEMBLY- VP02568



Ref.	Part No	Kerrick Part No	Description	Quantity	Validity		Price
					From	To	
0001	RCIN38912	VP03664	BRASS QUICK COUPLING P.G5,2	1,00			--
0002	FSVR38348	VP03171	PLAST.CLIP D.8	2,00			--
0003	MPVR07479	VP00084	MACHINE END HOSE CUFF 38mm	1,00			--
0004	TBBP72261	VP00736	HYDROLITIC HOSE 8x5 PER METER	8,70			--
0005	MPVR06579	VP02549	DUAL CUFF FOR VACUUM & SOLUTION HOSE 38mm	2,00			--
0006	TBFX01255	VPH038	VACUUM HOSE 38mm	1,00			--
0007	RCVR72221	VP03928	SWIVEL CUFF 38mm	1,00			--
0008	RCIN35828	VP03690	BRASS QUICK SOCKET C/V-P.G.5.2	1,00			--
0009	# MPVR06821	TBA	RING 3/8" F/FLEX HOSE	2,00			--
0010	VTRS72168	K-NSI	RUBBER WASHER D.15X9,5X1,5	2,00			--
0011	MPVR05666	K-NSI	RING NUT THREADED D.38	2,00			--
0012	VTVT01189	K-NSI	SCREW AUT.TC PHL 3,9X13 STAIN.	2,00			--