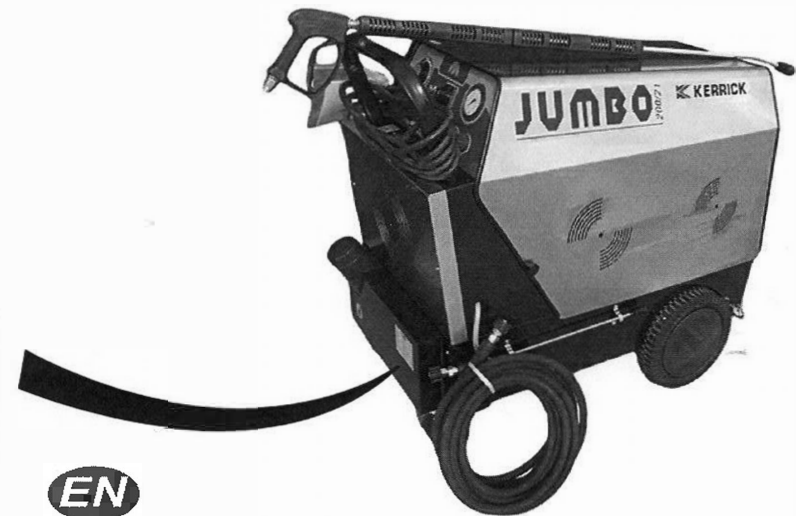


Jumbo Hot Water Pressure Cleaner

Exploded View Drawing & Parts List (Old & New Burner Version)

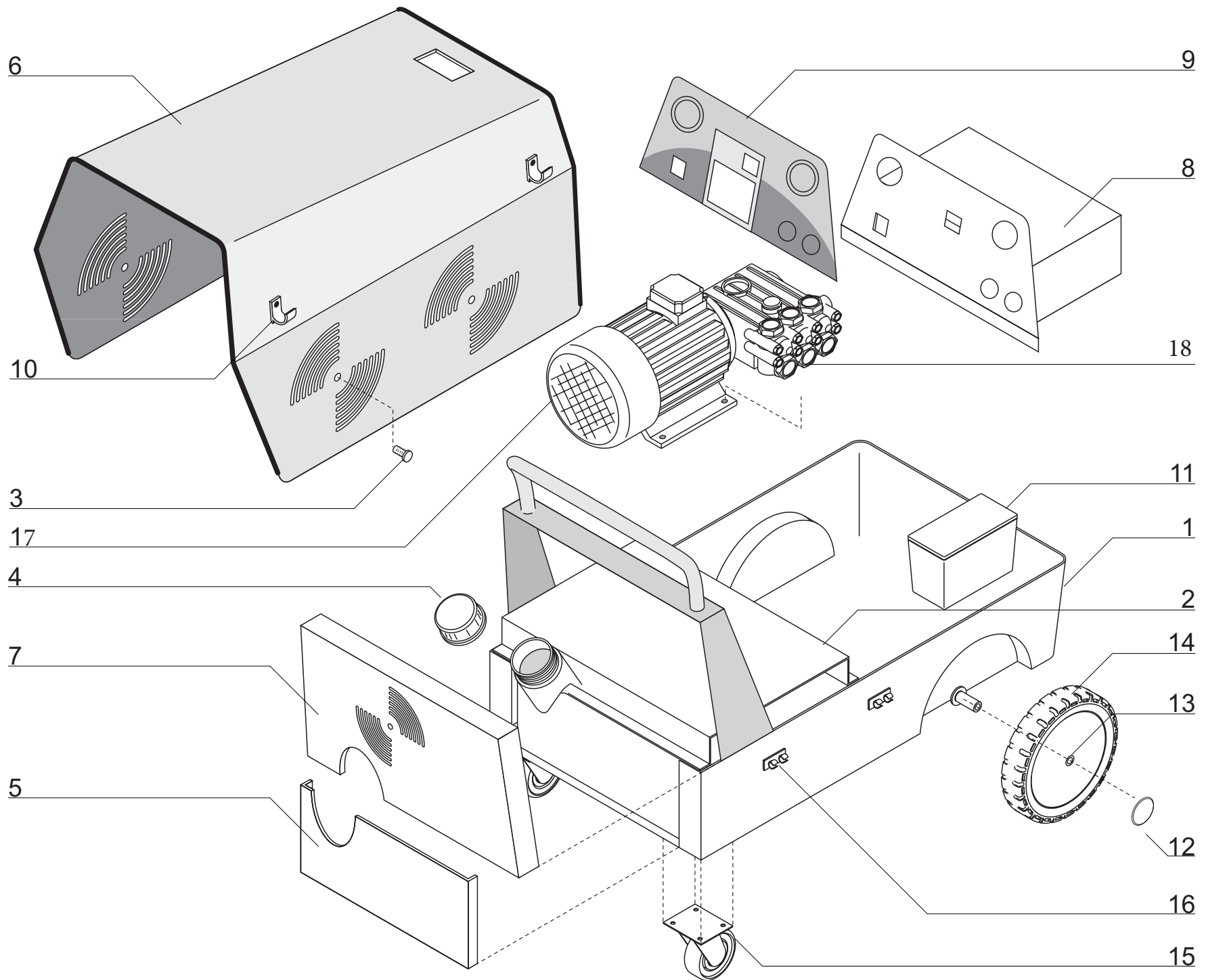
XXXXXX		XXXXXXXXXXXX	
CE		XXXXXXXXXXXX	
CODE	XXXXXX	TYPE	XXXXXX
INSULATION	IPX5	YEAR	XXXXXX
MAX. PRESSURE BAR	100	AT LITERS·1'	11
VOLTAGE	XXXXX	FREQUENCY	50 HZ
AMPERE AT 415V	11	AMP 200V	12,5
MAX TEMPERATURE °C	0-100	AT BAR	0-180
FUEL	DIESEL	WEIGHT	50



The identification plate (with the technical characteristics of the machine) is positioned on the trolley and is always visible. (Please note: this nameplate is an example only.)

Note: The new version of the Jumbo comes with a high efficiency coil. The drawings and part numbers for both old and new versions have been supplied in this break down.

To distinguish between the old and new models, simply measure the coils. The new Jumbo has a larger internal diameter coil of 200mm versus previous models that had an internal coil diameter of 180mm.

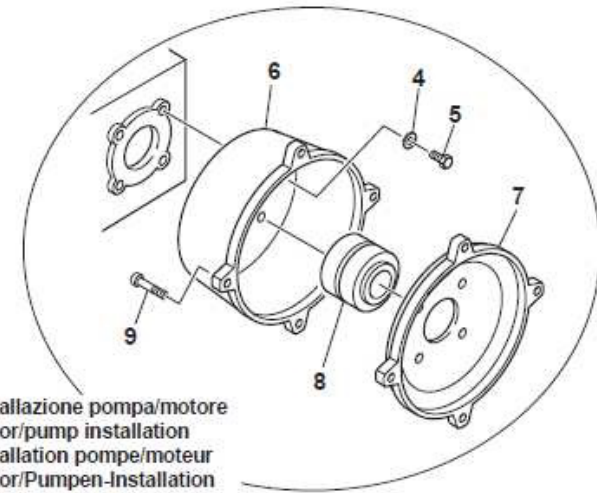
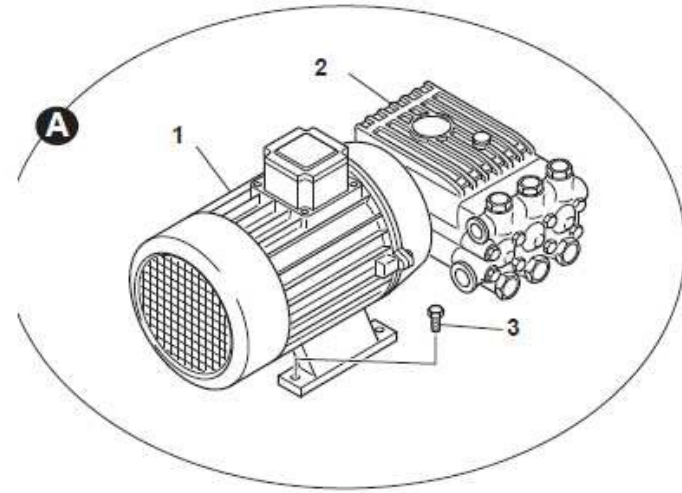
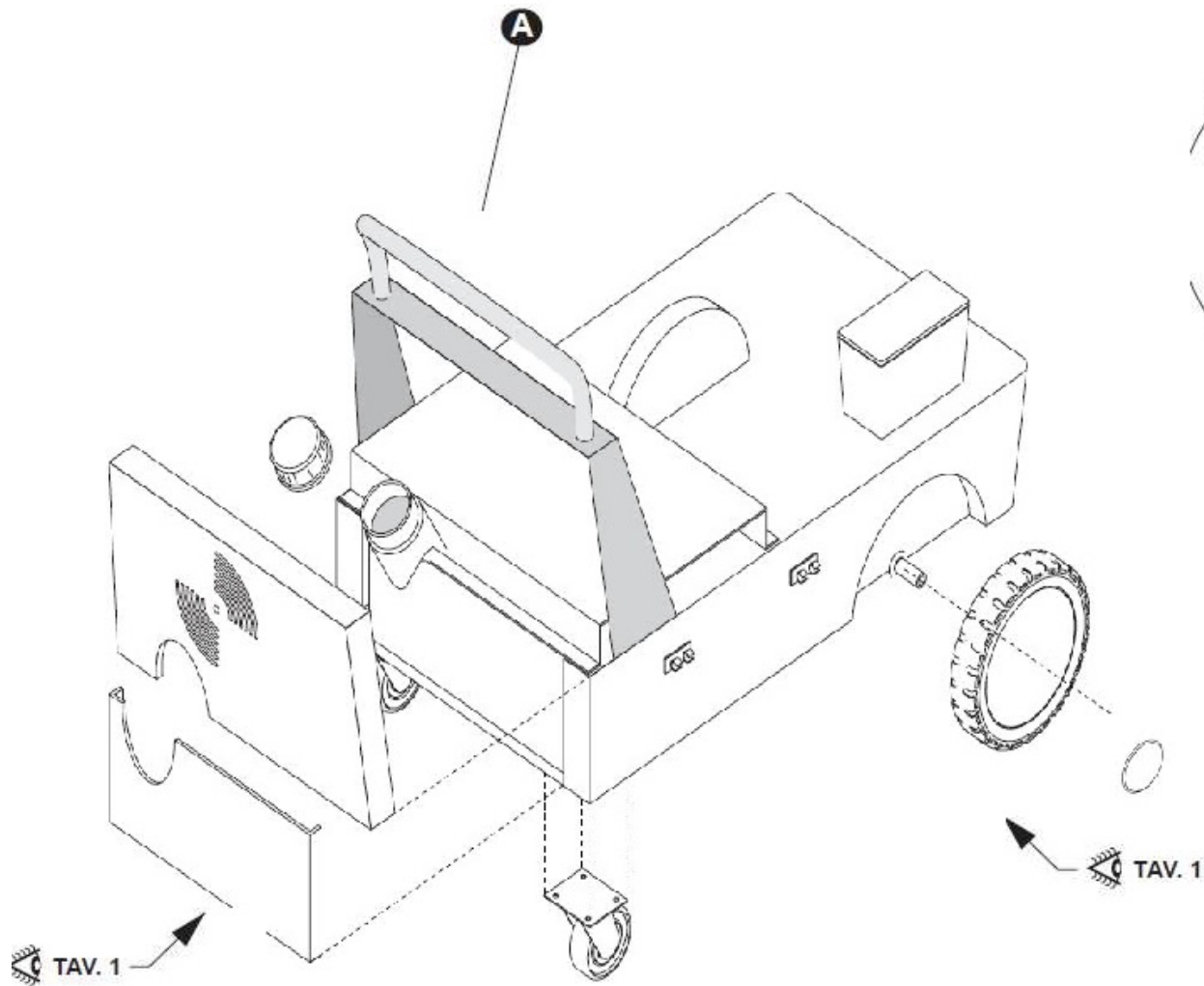


TAV. 1 – CHASSIS

JUMBO

POS.	PART NUMBER	QTY	DENOMINAZIONE	DESCRIPTION	DÉSCRIPTION	BESCHREIBUNG	DESCRIPCIÓN	VALIDITÀ VALIDITY VALIDITÉ VALIDITÄT VALIDEZ
1 #	MAER10.000.446	1	Telaio in ferro verniciato	Chassis in painted steel	Chassis en acier peint	Fahrgestell aus lackiertem Stahl	Chasis en acero pintado	
2 #	MAER10.000.473	1	Serbatoio gasolio 31lt	31 lt fuel tank	Réservoir fioul 31lt	Dieseltank 31lt	Deposito gasolio 31lt	
3	MAER20.000.042.1	4	Nottolino	Bonnet screw	Vis	Sperrklinke	Trinquete	
4	MAER10.000.471	1	Tappo serbatoio gasolio 31t	Cap for 31lt fuel tank	Bouchon réservoir fioul 31lt	Tankdeckel für 31 lt – Tank	Tapón para deposito gasolio 31lt	
5 #	MAER10.000.038.1	1	Piastra posteriore	Rear plate	Plaque arrière	Rückplatte	Placa trasera	
6	MAER10.000.445	1	Cofano in acciaio inox	Stainless steel cover	Capot en acier inox	Hauben aus Edelstahl	Capot acero inoxidable	
7 #	MAER10.000.444	1	Pannello posteriore	Rear panel	Panneau arrière	Rückplatte	Panel trasero	
8 #	MAER10.001.290	1	Pannello elettrico	Electrical panel	Panneau électrique	Vorplatte	Tablero de mandos	
9 #	MAER120.000.078	1	Adesivo Pannello elettrico	Electrical panel sticker	Autocollant Panneau électrique	Vorplatte Etiketete	Etiqueta Tablero de mandos	
10 #	MAER10.000.450	2	Supporto lancia	Lance holder	Support de lance	Lanzenhalter	Soporte de lanza	
11 #	MAER10.000.350		Vaschetta acqua acciaio inox	Stainless steel water tank	Bac eau en acier inox	Wassertank aus Edelstahl	Deposito agua acero inoxidable	
12 #	MAER10.000.436	2	Capped fermaruota	Wheel block	Couvercle roue	Radkappe	Cubrerueda	
13	MAER10.000.027	2	Seeger	Seeger	Seeger	Scheibe	Arandela	
14 #	MAER10.000.441.1	2	Ruota d. 300	Wheel d. 300	Roue d. 300	Rad d. 300	Rueda d. 300	
15	MAER10.000.052	2	Ruota pivottante	Castor wheel	Roue			
16 #	MAER10.000.010.1	2	Clip supporto asta detergente	Clip	Clip	PLEASE NOTE		
17	Motor	1	TAV. 2	TAV. 2	TAV. 2	# Part requires special order from supplier		
18	Pump	1	TAV. 2	TAV. 2	TAV. 2			

TAV. 2



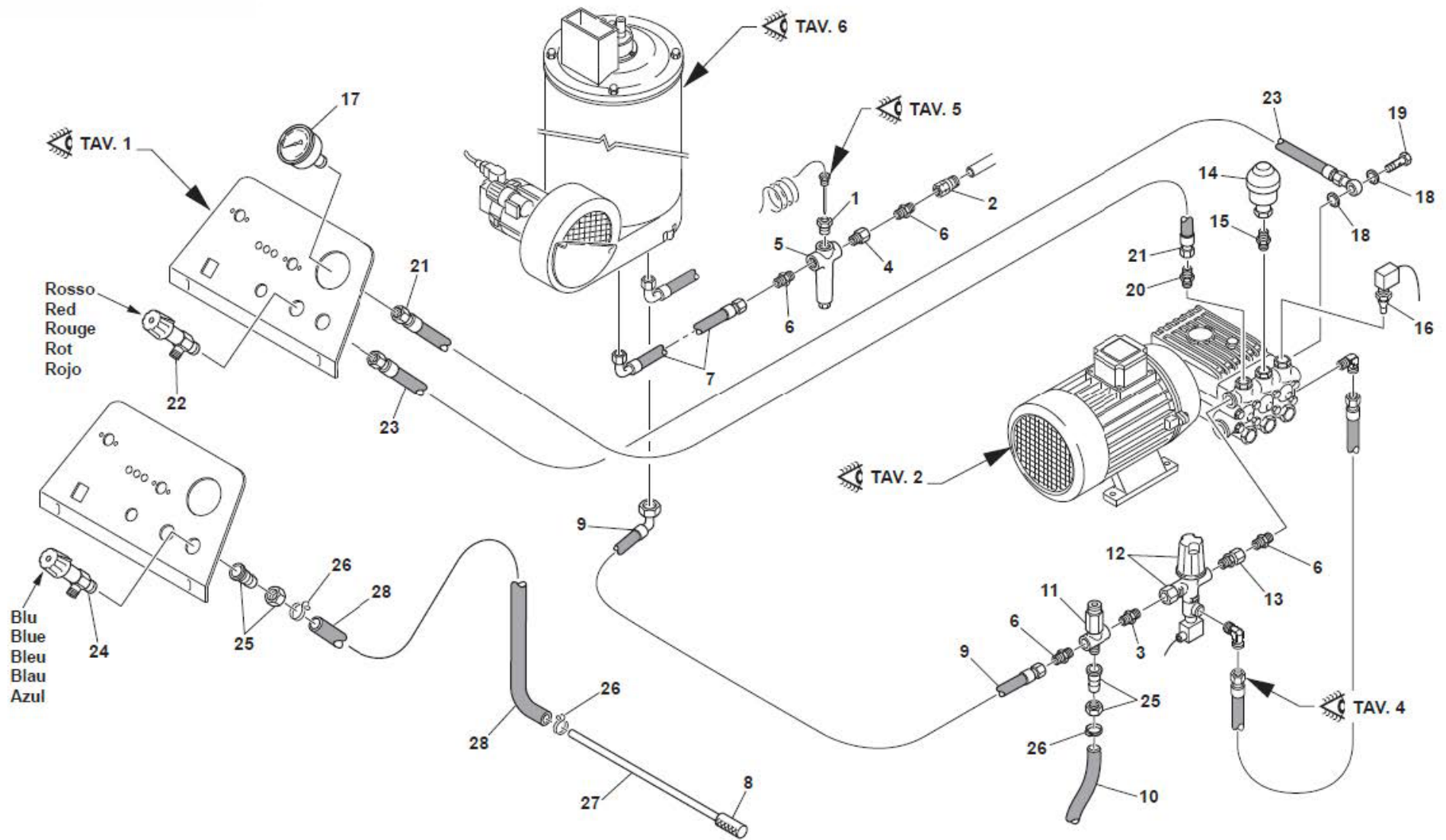
.nstillazione pompa/motore
 Motor/pump installation
 Installation pompe/moteur
 Motor/Pumpen-Installation
 Instalación bomba/motor

TAV. 2 – PUMP & MOTOR

JUMBO

POS.	PART NUMBER	QTY	DENOMINAZIONE	DESCRIPTION	DÉSCRIPTION	BESCHREIBUNG	DESCRIPCIÓN	VALIDITÀ VALIDITY VALIDITÉ VALIDITÄT VALIDEZ
1 #	MAER60.000.033	1	Motore elettrico 5,5kw 7,5hp M112 230/400V doppia flangia	Electric motor 7,5kw 10hp 230/400V M132	M112 230/400V avec bride et accouplement élastique	M112 230/400V mit Flansch und elastische Kupplung	M112 230/400V con brida y acomplamiento elastico	
	MAER60.000.034	1	Motore elettrico 7,5kw 10hp 230/400V M132 doppia flangia	Electric motor 7,5kw 10hp 230/400V M132 with flange and joint	Motor électrique 7,5kw 10hp 230/400V M132 avec bride et accouplement élastique	Elektrischer Motor 7,5kw 10hp 230/400V M132 mit Flansch und elastische Kupplung	Motor electrico 7,5kw 10hp 230/400V M132 con brida y acomplamiento	
2	IP WS152	1	Pompa IPWS152 SX	Pump IPWS152 SX - 2175PSI 21 LPM	LH Shaft	Pumpe IPWS152 SX	Bompa IPWS152 SX	
	IP WS201	1	Pompa IPWS201 SX	Pump IPWS201 SX - 2900 PSI 15 LPM	LH Shaft	Pumpe IPWS201 SX	Bompa IPWS201 SX	
	IP WS202	1	Pompa IPWS202 SX	Pump IPWS202 SX - 2900 PSI 21 LPM	LH Shaft	Pumpe IPWS202 SX	Bompa IPWS202 SX	
3	K-NSI	1	Vite	Screw	Vis	Schraube	Tornillo	
4	K-NSI	4	Rondella	Washer	Rondelle	Scheibe	Arandela	
5	K-NSI	4	Vite	Screw	Vis	Schraube	Tornillo	
6	K-NSI	1	Flangia esterna	External flange	Bride externe			
7	K-NSI	1	Flangia interna	Internal flange	Bride interne	PLEASE NOTE		
8 #	30.000.031.NIC	1	Giunto elastico	Elastic coupling	Accouplement élastique	K-NSI Parts not stocked by Kerrick. Maybe available from your local hardware store.		
9	K-NSI	4	Vite	Screw	Vis	# Part requires special order from supplier		

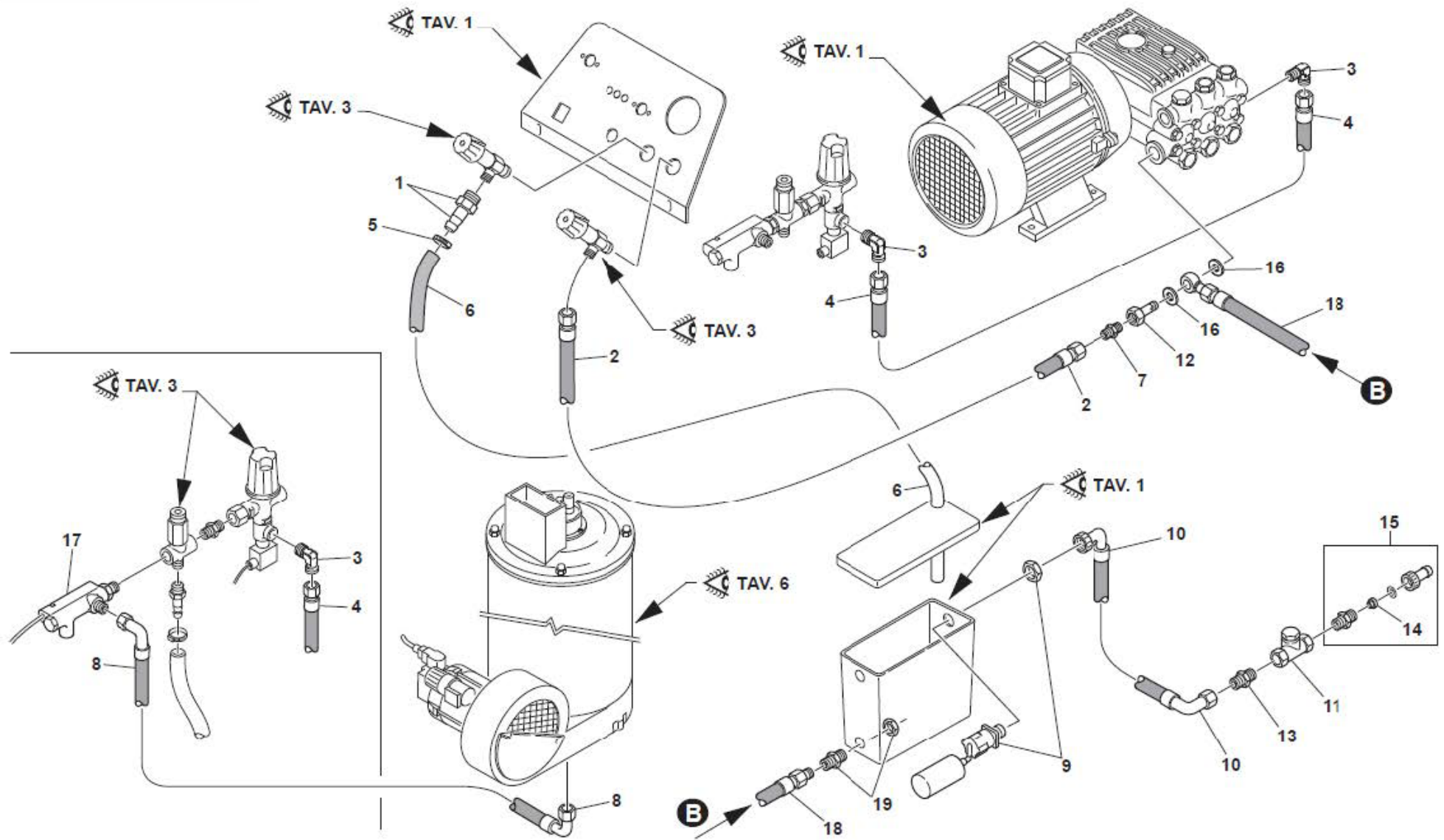
TAV. 3



TAV. 3 – COUPLINGS AND PIPES

POS.	PART NUMBER	QTY	DENOMINAZIONE	DESCRIPTION	DÉSCRIPTION	BESCHREIBUNG	DESCRIPCIÓN	VALIDITÀ VALIDITY VALIDITÉ VALIDITÄT VALIDEZ
1 #	MAER20.000.017	1	Raccordo portasonda	Sonde holder coupling	Raccord porte sonde	Sondenhalteranschluss	Empalme portasonda	
2	MAER90.263.131	1	Raccordo M22 3/8F	M22 3/8F coupling	Raccord M22 3/8F	Anschluss M22 3/8F	Empalme M22 3/8F	
3 #	MAER20.000.013	1	Nipplo 3/8 – 3/8 conico	Cone nipple 3/8 – 3/8	Nipple conique 3/8 – 3/8	Konnippel 3/8 – 3/8	Niplo conico 3/8 – 3/8	
4 #	MAER20.000.016	1	Prolunga 3/8	3/8 coupling	Raccord 3/8	Anschluss 3/8	Empalme 3/8	
5	MAER40.000.011	1	Pozzetto portasonda	Sonde holder thermostat	Thermostat porte sonde	Sondenhalterthermostat	Termostato portasonda	
6 #	MAER20.000.010	1	Nipplo 3/8 MM	3/8 MM coupling	Raccord 3/8MM	Anschluss 3/8MM	Empalme 3/8MM	
7 #	MAER90.000.013	1	Tubo uscita alta pressione	High pressure outlet hose	Tuyau sortie haute pression	Hochdruckausgangsschlauch	Manguera salida alta presion	
8	MAER40.000.008	1	Filtro detergente plastica	Chemical plastic filter	Filtre detergent plastique	Chemiefilter aus Plastik	Filtro detergente plastico	
9	MAER90.000.022	1	Tubo mandata	Delivery pipe	Tuyau refolement	Vorlaufschlauch	Manguera alimentación	
10 #	MAER90.000.045	1	Tubo scarico compl. valv. sicur.	Drain hose for safety valve	Tuyau drenage soup. Sécurité	Entwässerungsschlauch für Sicherheitsventil	Manguera drenaje valvula de seguridad	
11	MAER40.000.005	1	Valvola di sicurezza	Safety valve	Soupape sécurité	Sicherheitsventil	Valvula de seguridad	
12	MAER40.000.003	1	Use part number MAER60.2350.00	Bypass valve with micro (TST version)	Soupape bypass avec micro (version TST)	Bypassventil mit Micro (TST – Version)	Valvula bypass con micro (versión TST)	
	-	1	Valvola bypass senza micro (vers. Bypass)	Bypass valve without micro (bypass version)	Soupape bypass sans micro (version bypass)	Bypassventil ohne Micro (Bypass – Version)	Valvula bypass sin micro (version bypass)	
13 #	MAER0.000.012	1	Nipplo girevole 3/8 MF	Turning nipple	Nipple tournant	Drehender Nippel	Niplo giratorio	
14 #	MAER40.000.010	1	Polmone ammortizzatore	Dumper	Amortisseur pneumohydraulique	Dämpfer	Amortizador pneumohidraulico	
15 #	MAER20.000.055	1	Nipplo ½ - ¼	½ - ¼ nipple	Nipple ½ - ¼	Nippel ½ - ¼	Niplo ½ - ¼	
16	MAER70.000.035	1	Pressostato	Pressure switch	Pressostat	Druckschalter	Presostato	
17	MAER40.000.019	1	Manometro d. 63	Pressure gauge d. 63	Manomètre d. 63	Manometer D. 63	Manometro	
18	MAER20.000.006	2	Rondella rame	Copper washer	Rondelle cuivre	Kupferscheibe	Arandela de cobra	
19	MAER20.000.007	1	Bullone forato	Bolt with hole	Boulon avec trou	Schraube mit Loch	Tornillo horado	
20	MAER20.000.014	1	Nipplo ¼ - ¼	¼ - ¼ nipple	Nipple ¼ - ¼	Nippel ¼ - ¼	Niplo ¼ - ¼	
21	MAER90.000.062	1	Tubo manometro	Manometer hose	Tuyau manomètre	Manometersschlauch	Manguera manometro	
22	MAER40.000.056	1	Rubinetto vapore	Steam tap	Robinet vapeur	Dampfshahn	Grifo vapor	
23 #	MAER90.000.255	1	Tubo vapore	Steam hose	Tuyau vapeur	Dampfschlauch	Manguera vapor	
24	MAER40.000.007	1	Rubinetto detergente	Chemical tap	Robinet detergent	Chemienhahn	Grigo detergente	
25		1	Raccordo completo	Complete coupling	Raccord complet			
26	MAER90.000.039	1	Fascetta 2 orecchie	Clamp	Collier	PLEASE NOTE		
27 + 8		1	Astina inox + filtro	Stainless steel bar + Filtre	Tige + Filtre	# Part requires special order from supplier		
28		1	Tubo	Pipe	Tuyau			

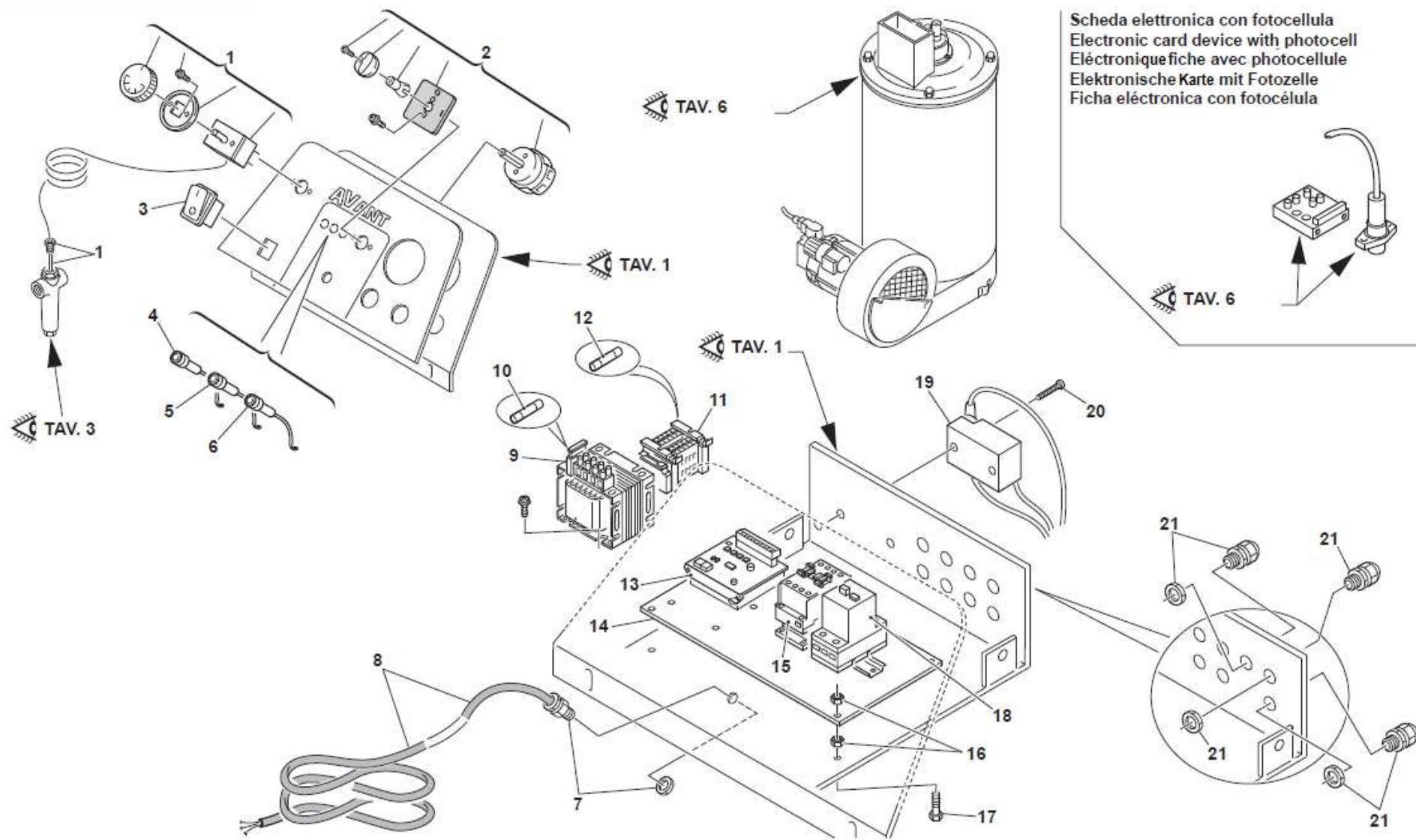
TAV. 4



TAV. 4 – COUPLINGS AND PIPES

POS.	PART NUMBER	QTY	DENOMINAZIONE	DESCRIPTION	DÉSCRIPTION	BESCHREIBUNG	DESCRIPCIÓN	VALIDITÀ VALIDITY VALIDITÉ VALIDITÄT VALIDEZ
1	MAER20.000.151 + MAER20.000.051	1	Raccordo completo	Complete coupling	Raccord complet	Kompletter Anschluss	Empalme completo	
2	MAER90.000.053	1	Tubo detergente	Chemical pipe	Tuyau detergent	Chemienschlauch	Manguera detergente	
3 #	MAER20.000.011	1	Curva ottone 3/8MM	Brass fitting 3/8MM	Raccord laiton 3/8MM	Anschluss aus Messing 3/8MM	Empalme de latón 3/8MM	
4	MAER90.000.006	1	Tubo bypass	Bypass pipe	Tuyau bypass	Bypassschlauch	Manguera bypass	
5 #	MAER90.000.011	1	Fascetta stringitubo 2 orecchie	Clamp	Collier	Scheibe	Arandera	
6	MAER90.000.034	1	Tubo scarico vapore	Steam discharge pipe	Tuyau decharge vapeur	Dampfabflussschlauch	Manguera scarico vapor	
7	MAER20.000.014	1	Nipplo ¼	Nipple ¼	Nipple ¼	Nippel ¼	Niplo ¼	
8	MAER90.000.022	1	Tubo 3/8 flussostato	Flowswitch pipe 3/8	Tuyau 3/8 flussostat	Strömungswachtersschlauch 3/8	Manguera flusostato 3/8	
9	MAER40.000.001	1	Galleggiante acqua	Water floater	Flotteur eau	Wasserschwimmer	Flotador agua	
10	MAER90.000.041	1	Tubo alimentazione acqua	Water supply pipe	Tuyau alimentation eau	Wassereingangsschlauch	Manguera alimentacion agua	
11	MAER40.000.000	1	Filtro acqua ottone	Brass water filter	Filtre laiton eau	Wasserfilter aus Messing	Filtro agua de latón	
12	MAER20.000.052	1	Bullone cavo + filetto	Bolt with hollow and thread	Boulon avec trou et filet	Schraube mit Loch und Gewinde	Tornillo horado con rosca	
13 #	MAER20.000.004	1	Nipplo ½	Nipple ½	Nipple ½	Nippel ½	Niplo ½	
14 #	MAER40.000.012	1	Filtro plastica	Plastic filter	Filtre plastique	Plastikfilter	Filtro plastico	
15 #	MAER20.000.000	1	Attacco acqua completo	Complete water coupling	Raccord eau complet	Kompletter Wasseranschluss	Empalme agua completo	
16 #	MAER20.001.003	2	Rondella rame ½	Copper washer ½	Rondelle cuivre ½	Kupferscheibe ½	Arandela de cobre	
17	MAER40.000.106	1	Flussostato	Flowswitch	Flussostat			
18	MAER90.000.242 MAER90.000.042	1	Tubo aspirazione acqua (21lt) Tubo aspirazione acqua (15lt)	Water suction pipe (21lt) Water suction pipe (15lt)	Tuyau aspiration eau (21lt) Tuyau aspiration eau (15lt)	PLEASE NOTE		
19	MAER20.000.001 MAER20.000.004 + MAER20.000.064	1	Nipplo ¾ vaschetta (21lt) Nipplo ½ vaschetta (15lt) + Occhio 1/2 (15lt)	Nipple ¾ water tank (21lt) Nipple ½ water tank (15lt) + eye ¾ (15lt)	Nipple ¾ bac eau (21lt) Nipple ½ bac eau (15lt) + Œuil ½ (15lt)	Parts with a # or in BLUE require special order from supplier		

TAV. 5



TAV. 5 – ELECTRICAL PANEL

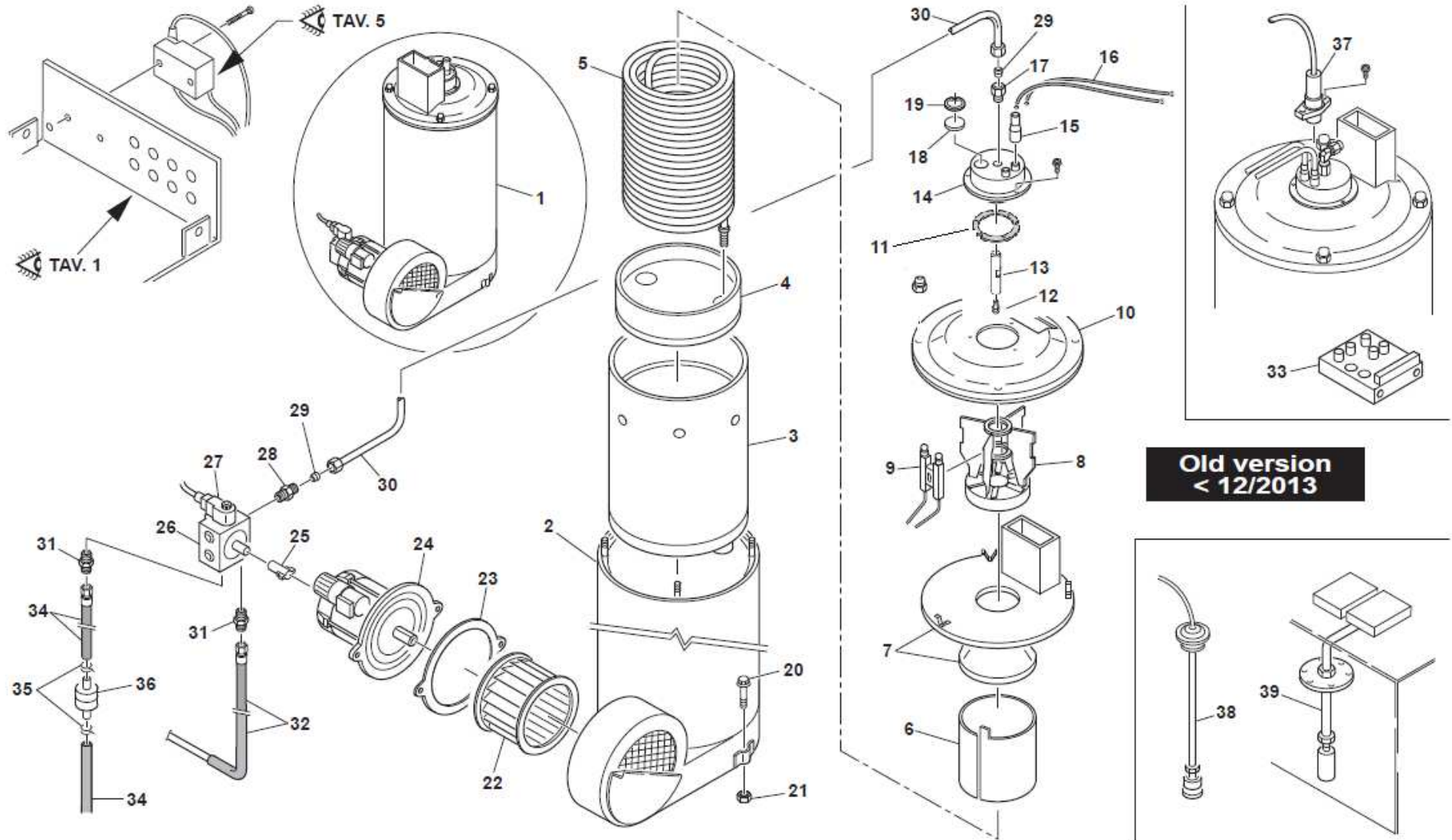
POS.	PART NUMBER	QTY	DENOMINAZIONE	DESCRIPTION	DÉSCRIPTION	BESCHREIBUNG	DESCRIPCIÓN	VALIDITÀ VALIDITY VALIDITÉ VALIDITÄT VALIDEZ
1	MAER70.000.014	1	Termostato senza interruttore	Thermostat without switch	Thérmostat sans interrupteur	Thermostat ohne Schalter	Termostato sin interruptor	
2	MAER70.000.045	1	Interruttore generale	General switch	Interrupteur général	Allgemeiner Schalter	Interruptor general	
3	MAER70.000.015	1	Interruttore bruciatore	Burner switch	Interrupteur brûleur	Brennschalter	Interruptor quemador	
4 #	MAER70.000.016	1	Lampadina verde	Green lamp	Voyant vert	Grüne Lampe	Lamparilla verde	
5	MAER70.000.116	1	Lampadina arancio	Orange lamp	Voyant orange	Orange Lampe	Lamparilla naranja	
6 #	MAER70.000.216	1	Lampadina rossa	Red lamp	Voyant rouge	Rote Lampe	Lamparilla roja	
7 #	MAER70.000.001	1	Passcavo PG16 a trombetta	PG16 cable ring	Passe-câcle PG16	Kabeldurchführung PG16	Pasacable PG16	
8 #	MAER70.000.121	1	Cavo neoprene trifase	Three phase cable	Câble triphasé	Netzanschlusskabel dreiphasig	Cable trifasico	
9	MAER70.000.010	1	Trasformatore 24v	24v transformer	Transformateur 24V	Trafo 24v	Trasformador 24V	
10 #	MAER70.000.260	1	Fusibile per trasformatore	Fuse for transformer	Fusible pour transformateur	Schmelzsicherung für Trafo	Fusible para trasformador	
11	MAER70.000.024	1	Morsettiera portafusibili	Fuses holder	Tableau des fusibles	Schmelzsicherungsschalter	Portafusible	
12 #	MAER70.000.060	1	Fusibile per morsettiera	Fuse for fuses holder	Fusibles pour tableau des fusibles	Schmelzsicherung für Schmelzsicherungsschalter	Fusible para portafusible	
13	MAER70.000.114	1	Scheda elettronica per fotocel.	Electronic board for photocell	Fiche électronique pour photoc.	Elektronische Karte für Fotozelle	Ficha electronica para fotocelula	
	MAER70.000.011	1	Scheda elettronica senza fotoc.	Electronic board no photocell	Fiche électronique sans photoc.	Elektronische Karte ohne Fotoz.	Ficha electronica sin fotocelula	
14 #	MAER70.000.006	1	Piastra plastica PVC	PCV plastic panel	Plaque en plastique PVC	Platte aus Plastik	Placa plastica	
15	MAER70.000.209	1	Teleruttore 5,5kw (monofase, 160/15, 150/21, 200/15)	Contacteur 5,5kw (single phase, 160/15, 150/21, 200/15)	Contacteur 5,5kw (monofasé, 160/15, 150/21, 200/15)	Kontaktor 5,5kw (einphasig, 160/15, 150/21, 200/15)	Contacteur 5,5kw (monofasico, 160/15, 150/21, 200/15)	
#	MAER70.000.109	1	Teleruttore 7,5kw (200/21)	Contacteur 7,5kw (200/21)	Contacteur 7,5kw (200/21)	Kontaktor 7,5kw (200/21)	Contacteur 7,5kw (200/21)	
16	K-NSI	2	Dado	Nut	Écrou	Mutter	Tuerca	
17	K-NSI	4	Vite	Screw	Vis	Schraube	Tornillo	
18	MAER70.000.008	1	Salvamatore magnetotermico 16A	Magnetothermic switch 16A	Interr. magnétothérmiq 16A	Magnetotherm. Schalter 16A	Interr. magnetotermico 16A	
#	MAER70.000.108	1	Salvamatore magnetotermico 20A	Magnetothermic switch 20A	Interr. magnétothérmiq 20A	Magnetotherm. Schalter 20A	Interr. magnetotermico 20A	
#	MAER70.000.208	1	Salvamatore magnetotermico 25A	Magnetothermic switch 25A	Interr. magnétothérmiq 25A			
19	MAER70.000.163	1	Trasformatore AT elettronico	HT electronic transformer	Transformateur HT électronique	PLEASE NOTE		
20	K-NSI	2	Vite autofilettante 3,0x4,5	Self-tapping screw 3,0x4,5	Vis taraud	K-NSI Parts not stocked by Kerrick. Maybe available from your local hardware store		
21 #	MAER70.000.003	8	Passacavo PG7	PG7 cable ring	Passe-câcle PG7	# Part requires special order from supplier		

TAV. 6A BOILER OLD VERSION (180mm Internal Diameter)



TAV. 6A (1/2)

AVANT
AVANT X



Jumbo Hot Water Pressure Cleaner (Old Version)

Ref.	PART NUMBER	QTY	DENOMINAZIONE	DESCRIPTION	DÉSCRIPTION	BESCHREIBUNG	DESCRIPCIÓN	VALIDITY
1	# MAER50.000.301	1	Caldaia completa	Complete boiler	Chaudière complète	Kompletter Kessel	Caldera completa	
2	# MAER50.001.033	1	Corpo caldaia con coclea inox	Boiler body w/ s.s. fan housing	Corp chaudière	Kesselkörper	Cuerpo caldera	
3	# MAER50.000.003	1	Camicia interna	Boiler liner	Chemis chaudière	Innenmantel	Camisa caldera	
4	MAER50.000.085	1	Fondo inox con cemento	S.S. bottom w/ cement	Fond refractaire avec béton	Kesselboden mit Zement	Base acero inoxid. c/ cemento	
5	MAER50.000.006	1	Serpentina	Coil	Serpentin	Heizschlange	Serpentino	
6	# MAER50.000.008	1	Fascia alta	Band	Bande	Band	Faja	
7	# MAER50.000.032	1	Testata c/ camino e campana	Complete head w/ chimney	Covercle complet avec cheminée	Kompletter Deckel	Tapón completo	
8	MAER50.000.010	1	Deflettore	Deflector	Deflecteur	Deflektor	Deflector	
9	MAER50.000.011	1	Elettrodi bifilari	Electrode	Electrode	Doppelelektrode	Electrodo	
10	# MAER50.000.012	1	Testata superiore inox	S.S. upper cover	Tête superieure en acier inox	Oberdeckel aus Edelstahl	Capo superior de acero inoxid.	
11	MAER50.000.015	1	Guarnizione deflettore	Deflector joint	Joint deflecteur	Deflektorendichtung	Guarnición deflector	
12	MAER50.000.013	1	Ugello gasolio	Fuel nozzle	Buse fioul	Dieseldüse	Boquilla gasolio	
13	# MAER50.000.014	1	Portaugello gasolio	Fuel nozzle holder	Porte buse fioul	Dieseldüsenhalter	Porta boquilla gasolio	
14	# MAER50.000.016	1	Disco alluminio	Aluminum disc	Disque	Scheibe	Disco	
15	MAER50.000.025	2	Gommino protezione elettrodi	Rubber electrode protection	Joint protection electrodes	Gummidichtung zum Elektrodensprotektion	Protección electrodo	
16	MAER70.000.018	2	Cavi alta tensione	HT cables	Cable haute tension	Hochspannungskabeln	Cables alta tensión	
17	# MAER20.000.024	1	Prolunga	Extension	Rallonge	Erweiterungsanschluss	Alargadera	
18	# MAER50.000.017	1	Vetro	Glass	Verre	Glas	Vidrio	
19	# MAER50.000.018	1	Seeger	Seeger	Seeger	Seeger	Anillo	
20	K-NSI	3	Vite	Screw	Vis	Schraube	Tornillo	
21	K-NSI	3	Dado	Nut	Écrou	Mutter	Tuerca	
22	# MAER50.000.020	1	Ventola	Fan	Ventilateur	Lüftung	Rotor	
23	# MAER50.000.172.1	1	Guarnizione bruciatore	Burner gasket	Joint brûleur	Dichtung	Guarnición quemador	
24	MAER50.000.221	1	Motore bruciatore	Burner motor	Moteur brûleur	Brennmotor	Quemador	
25	MAER50.000.022	1	Giunto pompa gasolio	Fuel pump joint	Joint pompe fioul	Ölpumpenkupplung	Junta bomba gasoil	
26	MAER50.000.029	1	Pompa gasolio	Fuel pump	Pompe fioul	Ölpumpe	Bomba gasoil	
27	MAER50.000.024	1	Elettrovalvola gasolio 24V	24V fuel solenoid valve	Électrovanne 24V	Dieselelektroventil 24V	Electrovalvula gasoil 24V	
28	#	1	Raccordo 1/8	1/8 Coupling	Raccord 1/8	Anschluss 1/8	Empalme 1/8	
29	MAER90.000.048.1	1	Ogiva	Ogive	Ogive	Spitz	Ojiva	
30	#	1	Tubo gasolio completo in rame	Complete fuel copper pipe inlet	Tuyau fioul complet en cuivre	Kompletter Kupferdieselschlauch	Manguera gasoil compl. de cobre	
31	MAER20.000.014	2	Niplo ¼ MM	Nipple ¼ MM	Nipple ¼ MM	Nippel ¼ MM	Niple	
32	# MAER90.000.157	1	Tubo ritorno gasolio	Fuel return pipe	Tuyau retour fioul	Ölrücklaufschlauch	Manguera retorno gasoil	
33	MAER70.000.114	1	Scheda elettr. per fotocellula	Elec. board for photocell	Carte élect. pour photocellule	Elek. Karte für Fotozelle	Ficha electr. para fotocelula	
34	# MAER90.000.156	1	Tubo aspirazione gasolio	Fuel suction pipe	Tuyau aspiration fioul			
35	# MAER90.000.011	2	Fascetta stringitubo	Clamp	Collier			
36	MAER50.000.019	1	Filtro gasolio plastica	Fuel filter	Filtre fioul			
37	MAER70.000.115	1	Fotocellula	Photocell	Photocellule			
						PLEASE NOTE		
						K-NSI Parts not stocked by Kerrick.	Maybe available from your local hardware store.	
						# Part requires special order from	supplier	



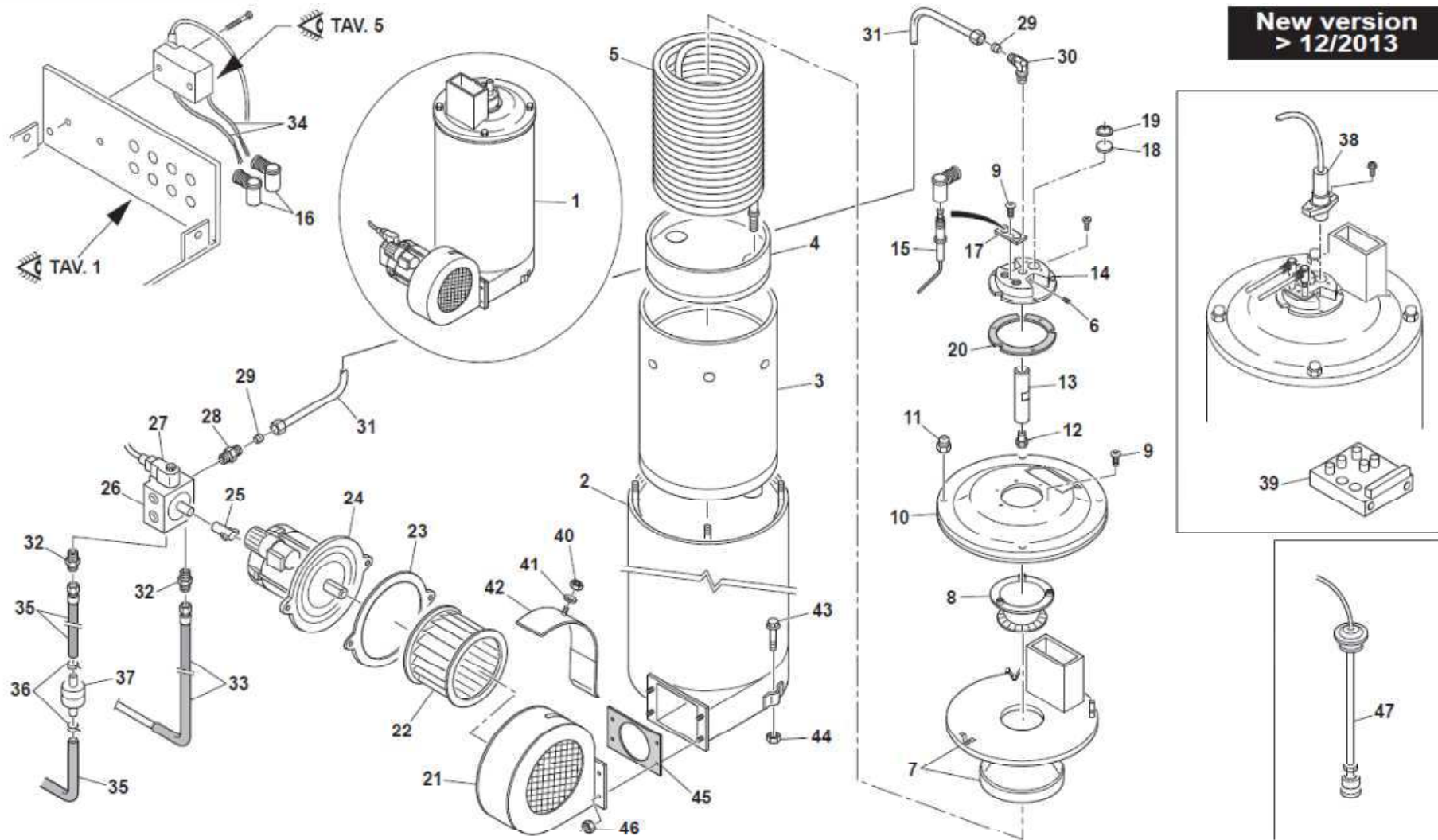
TAV. 6A BOILER OLD VERSION (180mm Internal Diameter)

Ref.	PART NUMBER	QTY	DENOMINAZIONE	DESCRIPTION	DÉSCRIPTION	BESCHREIBUNG	DESCRIPCIÓN	VALIDITY
38	MAER70.000.322	1	Gall. gasolio serb. 30lt	30lt fuel tank floater	Flott. fioul rés. 30lt	Dieselschwimmer- Tank 30lt	Flotad. gas. depos. 30lt	
39	MAER70.000.022.1	1	Gall. gas. serb. 16lt nuova vers.	16lt fuel tank floater new vers.	Flott. fioul rés. 16lt nouv. vers.	neuer Dieselschwim. Tank 16lt	Flot. gas. depos. 16lt nuev. vers.	
	MAER70.000.022	1	Gall. gas. Serb. 16lt vecchia vers.	16lt fuel tank floater old vers.	Flott. fioul rés. 16lt viel. vers.	alter Dieselschwim. Tank 16lt	Flot. gas. depos. 16lt vie. vers.	

Jumbo Hot Water Pressure Cleaner (Old Version)

MAER50.001.001

TAV. 6B (1/2)



BOILER - NEW VERSION (>12/2013) JUMBO

POS.	PART NUMBER	QTY	DENOMINAZIONE	DESCRIPTION	DÉSCRIPTION	BESCHREIBUNG	DESCRIPCIÓN	VALIDITÀ VALIDITY VALIDITÉ VALIDITÁT VALIDEZ
1	# MAER50.001.001	1	Caldaia completa	Complete boiler	-	-	-	€
2	# MAER50.000.002	1	Corpo caldaia con coclea inox	Boiler body w/ s.s. fan housing	-	-	-	€
3	# MAER50.000.082	1	Camicia interna	Boiler liner	-	-	-	€
4	MAER50.000.118	1	Fondo inox con cemento	S.S. bottom w/ cement	-	-	-	€
5	MAER50.000.006	2	Serpentina	Coil	-	-	-	€
6		1	Grano	Dowel	-	-	-	€
7	MAER50.000.032	1	Testata c/ camino e campana	Complete head w/ chimney	-	-	-	€
8	# MAER50.000.069	1	Deflettore	Deflector	-	-	-	€
9	K-NSI	6	Vite	Screw	-	-	-	€
10	# MAER50.000.012	1	Coperchio sagomato inox	S.S. shaped cover	-	-	-	€
11	# MAER20.000.025	4	Dado cieco	Nut	-	-	-	€
12	MAER50.000.013	1	Ugello gasolio	Fuel nozzle	-	-	-	€
13	MAER50.000.115	1	Portaugello gasolio	Fuel nozzle holder	-	-	-	€
14	# MAER50.000.016	1	Disco alluminio portaugello	Electrode holder alum. disc	-	-	-	€
15	MAER50.000.211	2	Elettrodo	Electrode	-	-	-	€
16	MAER50.000.116	2	Connettore BP pipette blu	Connector	-	-	-	€
17	# MAER10.001.007	1	Piastrina fissaggio elettrodi	Electrode fixing plate	-	-	-	€
18	# MAER50.000.017	1	Vetrino	Glass	-	-	-	€
19	# MAER50.000.018	1	Seeger	Seeger	-	-	-	€
20	MAER50.000.015	1	Guarnizione	Gasket	-	-	-	€
21	# MAER50.000.251	1	Coclea inox	S.S. ventilation	-	-	-	€
22	# MAER50.000.109	1	Ventola	Fan	-	-	-	€
23	# MAER50.000.172	1	Guarnizione	Gasket	-	-	-	€
24	MAER50.000.021	1	Motore N2	Burner motor N2	-	-	-	€
25	MAER50.000.022	1	Giunto pompa gasolio	Fuel pump joint	-	-	-	€
26	MAER50.000.029	1	Pompa gasolio	Fuel pump	-	-	-	€
27	MAER50.000.024	1	Elettrovalvola gasolio 24V	24V fuel solenoid valve	-	-	-	€
28	#	1	Raccordo 1/8	1/8 Coupling	-	-	-	€
29	#	1	Ogiva	Ogive	-	-	-	€
30	# MAER20.000.019	1	Raccordo 90°	90° fitting	-	-	-	€
31	#	1	Tubo mandata gasolio	Inlet fuel pipe	-	-	-	€
32	MAER20.000.014	2	Nipplo	Nipple	-	-	-	€
33	# MAER90.000.047	1	Tubo ritorno gasolio	Outlet fuel pipe	-	-	-	€
34	MAER70.000.018	1	Cavetti AT	HT cables	-	-	-	€
35	# MAER90.000.046	1	Tubo aspirazione gasolio	Fuel suction pipe	-	-	-	€
36	# MAER90.000.011	2	Fascetta stringitubo	Clamp	-	PLEASE NOTE	-	€
37	MAER50.000.019	1	Filtro gasolio	Fuel filter	-	K-NSI Parts not stocked by Kerrick. Maybe available from your local hardware store	-	€
38	# MAER70.000.115	1	Fotocellula	Photocell	-	# Part requires special order from supplier	-	€
39	MAER70.000.114	1	Scheda elettronica (per fotoc.)	Electronic board (for photoc.)	-	-	-	€

BOILER NEW VERSION (>12/2013)

JUMBO

POS.	PART NUMBER	QTY	DENOMINAZIONE	DESCRIPTION	DÉSCRIPTION	BESCHREIBUNG	DESCRIPCIÓN	VALIDITÀ VALIDITY VALIDITÉ VALIDITÁT VALIDEZ
40	K-NSI	1	Dado	Nut	-	-	-	€
41	K-NSI	1	Rondella	Washer	-	-	-	€
42	K-NSI	1	-	-	-	-	-	€
43	K-NSI	3	Vite	Screw	-	-	-	€
44	K-NSI	3	Dado	Nut	-	-	-	€
45 #	MAER50.000.072	1	Guarnizione	Gasket	-	PLEASE NOTE		
46	K-NSI	4	Dado	Nut	-	K-NSI Parts not stocked by Kerrick. Maybe available from your local	hardware store	
47	MAER70.000.322	1	Galleggiante gasolio	Fuel floater	-	# Part requires special order from supplier		

POS.	PART NUMBER	QTY	DENOMINAZIONE	DESCRIPTION	DÉSCRIPTION	BESCHREIBUNG	DESCRIPCIÓN	VALIDITÀ VALIDITY VALIDITÉ VALIDITÄT VALIDEZ
38	MAER70.000.322	1	Gall. gasolio serb. 30lt	30lt fuel tank floater	Flott. fioul rés. 30lt	Dieselschwimmer- Tank 30lt	Flotad. gas. depos. 30lt	
39	MAER70.000.022.1	1	Gall. gas. serb. 16lt nuova vers.	16lt fuel tank floater new vers.	Flott. fioul rés. 16lt nouv. vers.	neuer Dieselschwim. Tank 16lt	Flot. gas. depos. 16lt nuev. vers.	
	MAER70.000.022	1	Gall. gas. Serb. 16lt vecchia vers.	16lt fuel tank floater old vers.	Flott. fioul rés. 16lt viel. vers.	alter Dieselschwim. Tank 16lt	Flot. gas. depos. 16lt vie. vers.	

