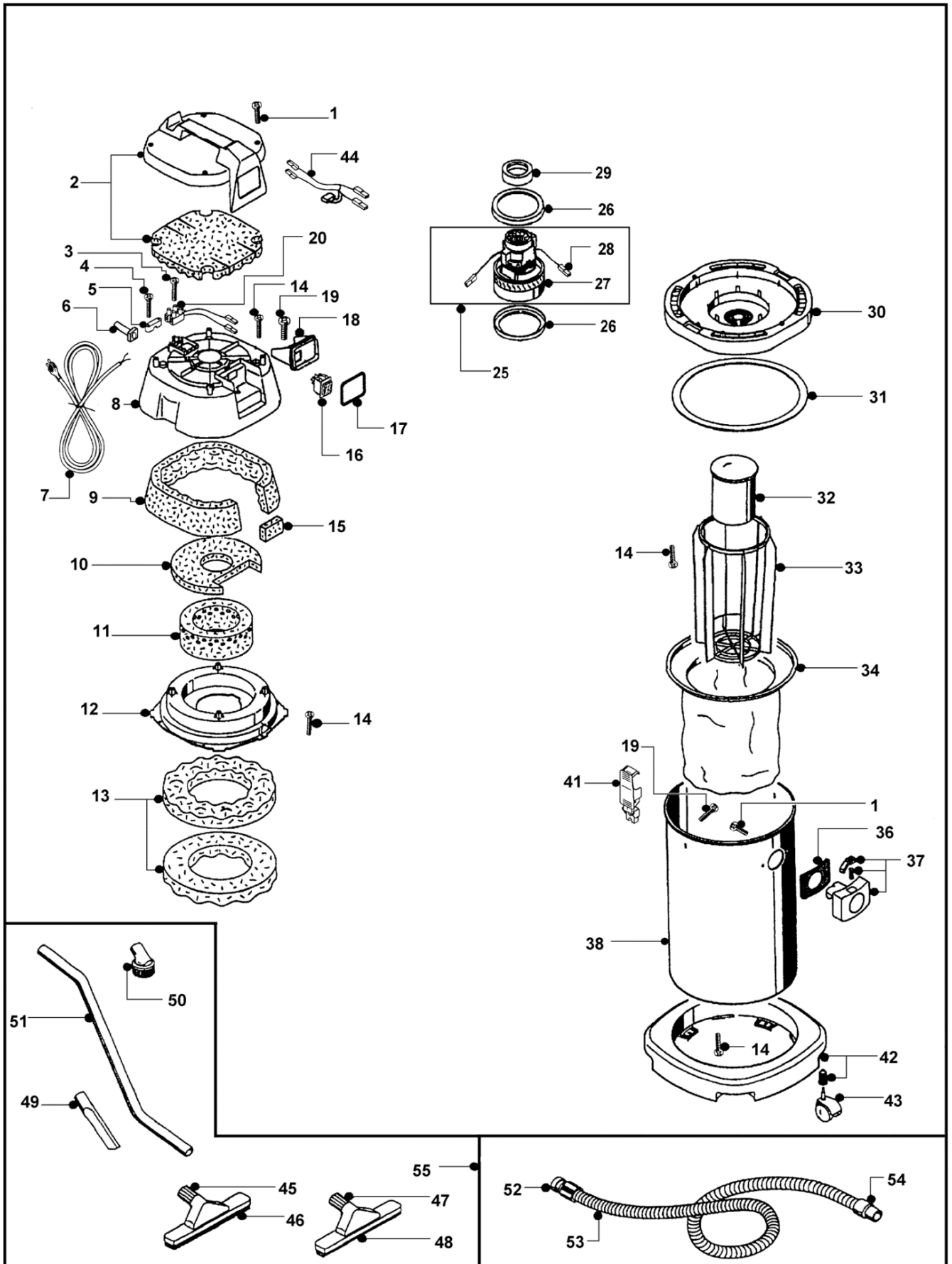


KVAC27L

K-NSI Parts not stocked by Kerrick. Maybe available from your local hardware store.

Part requires special order from supplier



	KVAC - 27L		
POS	DESCRIPTION	QTY	PART NO.
1	SCREW	6	K-NSI
2	TOP COVER + NOISE FITER	1	VP4071018
3	SCREW	1	K-NSI
4	SCREW	2	K-NSI
5 #	CLAMP	1	VP2001340
6 #	LEAD GROMET	1	VP2502001
7	LEAD	1	K-NSI
8	MOTOR COVER	1	VP6003338
9	UPPER NOISE FILTER	1	VP3000603
10	MID NOISE FILTER	1	VP3000602
11	MOTOR NOISE FILTER/ROUND	1	VP3000601
12	MOTOR TOP PLATE	1	VP2009200
13	LOWER NOISE FILTER	2	VP3000600
14	SCREW	17	NA
15#	FOAM PIECE	1	VP3000053
16	SWITCH	1	VP2506230
17	SWITCH GASKET	1	VP2502605
18	SWITCH HOUSING	1	VP2009252
19	SCREW	1	K-NSI
20	TERMINAL BLOCK	1	K-NSI
25	MOTOR 1000W A40 + WIRES	1	VP03973S
26	MOTOR GASKET	2	VP2502500
27	MOTOR 1000W A40	1	See Pos 25
28	MOTOR WIRES	2	See Pos 25
29#	MOTOR RING	1	VP2502518
30	MOTOR HOUSING	1	VP2209118
31	BASE GASKET	1	VP2502400
32	FLOAT	1	VP6101100
33	FLOAT CAGE	1	VP2000090
34	FILTER COMPLETE	1	VP6620000
36	GASKET	1	VP2502550
37	INLET CUFF D50	1	VP6000205
38#	TANK	1	VP2207009
41	TANK CLIP	2	VP6100019
42#	TANK BASE	1	VP3570010
43	CASTOR WHEEL	4	VP2510151
44	CONNECTING WIRES	1	K-NSI
45	FLOOR TOOL BRUSH D40	1	VP6010000
46	BRUSH INSERT D40	1	VP2502900
47	SQUEEGEE FLOOR TOOL D40	1	VP6010011
48	SQUEEGEE INSERT D40	1	VP2502255
49	CREVICE NOZZLE D40	1	VP2511610
50	ROUND BRUSH D40	1	VP2511615
51	WAND D40	1	VP2511600
52	CUFF M/C END D40	1	VP2501190
53	VAC HOSE ASSEMBLY 5 METRES	1	VPH038R05
54	CUFF TOOL END D40	1	VP2511390