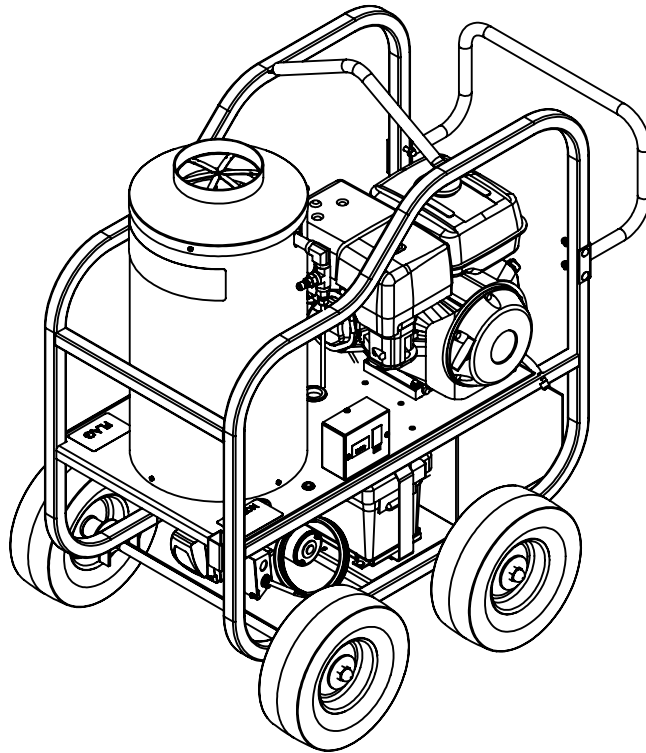


4012 PORTABLE 12VDC DIRECT DRIVE HOT WATER PARTS MANUAL



VARIATIONS

MODEL NUMBER	FLOW	PSI	ENGINE	PUMP
4012-10A	4.0 GPM	4000	HONDA GX390	AR
PP4012-10C *	4.0 GPM	4000	HONDA GX390	CAT
4012-10G	4.0 GPM	4000	HONDA GX390	GP
4012-42HV	4.0 GPM	4200	HONDA GX390	VIPER
4012-42KV	4.0 GPM	4200	KOHLER CH440	VIPER
4012-15G	4.0 GPM	3200	KOHLER KD420ES	GP

BEGINNING SERIAL NUMBER 13-18016

TABLE OF CONTENTS

SERVICE WARNINGS.....PG 3

PARTS BREAKDOWNS

MACHINE VARIATIONS.....	PG 8
MAIN FRAME.....	PG 9
MOTOR PUMP ASSY.....	PG 11
COIL TANK ASSEMBLY.....	PG 12
BURNER HEAD.....	PG 13
PLUMBING KIT.....	PG 14
FUEL TANK.....	PG 15
ACCESSORIES.....	PG 16
PUMP BREAKDOWNS.....	PG 17
BURNER HEAD BREAKDOWN..	PG 21
WIRING DIAGRAMS.....	PG 22



WARNING: Breathing diesel exhaust exposes you to chemicals known to the State of California to cause cancer and birth defects or other reproductive harm.

- Always start and operate the engine in a well-ventilated area.
- If in an enclosed area, vent the exhaust to the outside.
- Do not modify or tamper with the exhaust system.
- Do not idle the engine except as necessary.

For more information go to www.P66warnings.ca.gov/diesel



EXTREMELY HAZARDOUS OR DANGEROUS SITUATION THAT WILL RESULT IN DEATH OR SERIOUS INJURY IF NOT OBEYED OR AVOIDED.



DO NOT FILL OR REFILL THE ENGINE WITH FUEL WHILE THE ENGINE IS RUNNING. STOP THE ENGINE, RELEASE THE PRESSURE IN THE HOSE AND ALLOW THE ENGINE TO COOL FOR AT LEAST 5 MINUTES BEFORE REFUELING.

DO NOT SMOKE WHEN REFILLING ANY FUEL TANKS.

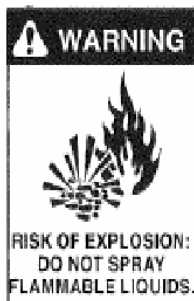
DO NOT REFUEL INDOORS.

REFILL ONLY IN A WELL VENTILATED AREA.

DO NOT OVER FILL TANKS. REFILL TANKS SLOWLY TO AVOID SPILLING FUEL.

DO NOT RESTART MACHINE UNTILL ALL FUEL SPILLS HAVE BEEN THOROUGHLY CLEANED UP AND ANY RESIDUAL FUEL HAS EVAPORATED.

DO NOT STORE THE MACHINE NEAR OPEN FLAME, HEAT SOURCE OR ANY DEVICE THAT COULD CREATE A SPARK.



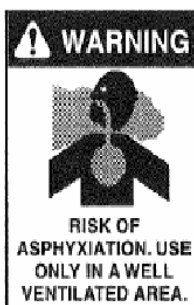
DO NOT SPRAY FLAMMABLE LIQUIDS.

DO NOT OPERATE PRESSURE WASHER IN THE PRESENCE OF FLAMMABLE LIQUIDS, VAPORS, GASSES, COMBUSTIBLE DUST OR ANY OTHER COMBUSTIBLE MATERIALS.

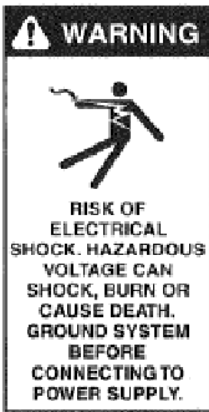
DO NOT USE CRANKCASE OR WASTE OIL.

DO NOT PUT GASOLINE IN ANY TANK INTENDED FOR FUEL OIL.

USE ONLY No.1 OR No.2 HEATING OIL OR DIESEL FUEL IN THE BURNER TANK.



DO NOT OPERATE PRESSURE WASHER IN AN ENCLOSED AREA. USE ONLY IN A WELL VENTILATED AREA. PROPER VENTILATION AND OXYGEN SUPPLY IS NEED TO SUSTAIN YOUR LIFE AND FOR THE SAFE AND EFFICIENT OPERATION OF THIS MACHINE.



DO NOT DIRECT THE WATER STREAM OR SPRAY AT ANY ELECTRICAL INSTALLATION OF ANY KIND INCLUDING LIGHTS.

DO NOT USE THE WATER STREAM TO CLEAN THE PRESSURE WASHER.

DO NOT USE EXTENSION CORDS. USE ADDITIONAL HOSES.

DO NOT USE THE PRESSURE WASHER IF THE GFCI, CIRCUIT BREAKER OR THERMAL OVERLOAD PROTECTOR TRIPS.

DO NOT USE WHILE RAINING.

DO NOT USE IF POWER SUPPLY CORD IS DAMAGED.

DO NOT REPAIR POWER SUPPLY CORD. REPLACE IT.

DO NOT ALLOW POWER CORD TO LAY IN STANDING WATER.

USE ONLY FACTORY SUPPLIED CORD SET WITH A PROPERLY GROUNDED RECEPTACLE THAT IS EQUIPPED WITH A GROUND FAULT CIRCUIT INTERRUPTER.

USE ONLY A PROPERLY SIZED AND ISOLATED ELECTRICAL SUPPLY CAPABLE OF THE FULL LOAD AMPERAGE THAT THE PRESSURE WASHER REQUIRES.



DO NOT USE THE PRESSURE WASHER WHILE STANDING ON A LADDER OR SCAFFOLDING.

DO NOT USE WHILE STANDING ON PITCHED ROOFS.

WET SURFACE IS SLIPPERY. DANGER OF SLIP AND FALL.



DO NOT POINT THE WATER STREAM AT ANY PERSONS OR ANIMALS.

DO NOT OPERATE IN THE VICINITY OF CHILDREN.

DO NOT USE THE WATER STREAM TO CLEAN ANY PROTECTIVE CLOTHING OR BOOTS.



USE ONLY FACTORY APPROVED IDENTICAL REPLACEMENT PARTS.

DO NOT CHANGE OR TAMPER WITH FACTORY PRESET

ADJUSTMENTS. NEVER DEFEAT OR DISABLE ANY SAFETY DEVICES ON THE MACHINE.



DO NOT OPERATE THE UNIT WITH A MALFUNCTIONING BURNER OR BURNER CONTROL. INSPECT BURNER AND BURNER CONTROL OPERATION BEFORE EACH USE. FAILURE TO DO SO MAY RESULT IN AN EXPLOSION OR FIRE. IF YOU SUSPECT A

PROBLEM WITH THE BURNER, DISCONTINUE USE IMMEDIATELY AND CONTACT YOUR LOCAL AUTHORIZED DISTRIBUTOR.

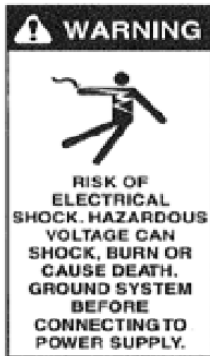
WARNING! (Liquid Petroleum or Natural Gas Fired Units)

FOR YOUR SAFETY, IF YOU SMELL GAS:

1. OPEN WINDOWS.
2. DO NOT TOUCH ELECTRICAL SWITCHES.
3. TURN OFF BREAKER SWITCH SUPPLYING POWER TO UNIT. CLOSE GAS SUPPLY VALVE TO UNIT.
4. EXTINGUISH ANY OPEN FLAME.
5. IMMEDIATELY EVACUATE PREMISES AND CALL YOUR GAS SUPPLIER.
6. MACHINES CAN CAUSE AN EXPLOSION WHEN OPERATED NEAR FLAMMABLE MATERIALS AND VAPORS. DO NOT- USE THIS MACHINE WITH OR NEAR FUELS, GRAIN DUST, SOLVENTS, THINNERS OR OTHER FLAMMABLE MATERIALS.
7. THIS UNIT MUST BE INSTALLED IN COMPLIANCE WITH ALL APPLICABLE GAS CODES. FAILURE TO DO SO COULD RESULT IN INJURY OR DEATH TO YOU OR TO OTHER PERSONNEL.
8. USE NO. 1 OR NO. 2 FUEL OIL ONLY IN OIL FIRED MACHINES. NEVER INTRODUCE GASOLINE TO THE FUEL OIL TANK. DOING SO COULD RESULT IN AN EXPLOSION OR FIRE. KEEP THE PROPER FUEL IN THE PROPER TANK.



POTENTIALLY HAZARDOUS SITUATION THAT COULD RESULT IN DEATH OR SERIOUS INJURY IF NOT OBEYED OR AVOIDED.



DISCONNECT POWER BEFORE SERVICING THE PRESSURE WASHER.

DISCONNECT SPARK PLUG BEFORE SERVICING THE PRESSURE WASHER.

DO NOT DIRECT THE WATER STREAM OR SPRAY AT ANY ELECTRICAL INSTALLATION OF ANY KIND INCLUDING LIGHTS.



DO NOT TOUCH HOT SURFACES. EG. MUFFLER, BURNER, ENGINE, HEAT EXCHANGER, EXHAUST HEAD.

USE ONLY INSULATED EXTENSION WAND WITH HOT WATER.

DO NOT ALLOW HOSES TO TOUCH HOT SURFACE.



DO NOT USE PRESSURE WASHER WITHOUT PROPER PROTECTIVE WEAR. USE EYE PROTECTION, RUBBER GLOVES, RUBBER BOOTS, AND PROTECTIVE CLOTHING.

DO NOT USE CORROSIVE OR AGGRESSIVE CHEMICALS WITHOUT PROPER PROTECTIVE WEAR.

THIS MACHINE PRODUCES HOT WATER AT VERY HIGH PRESSURES. USE ONLY APPROVED ACCESSORIES RATED FOR HOT WATER AND HIGH PRESSURE.



POTENTIALLY HAZARDOUS SITUATION THAT COULD RESULT IN PERSONAL INJURY OR PROPERTY DAMAGE IF NOT OBEYED OR AVOIDED.

DO NOT LEAVE THE PRESSURE WASHER RUNNING UNATTENDED. TURN THE MACHINE OFF AND RELEASE ALL PRESSURE FROM THE SYSTEM.

DO NOT DEFEAT THE TRIGGER GUN SAFETY

DO NOT LOCK THE TRIGGER IN THE OPEN POSITION IN ANY WAY.

KNOW THE MACHINE CONTROLS AND HOW TO QUICKLY SHUT DOWN AND RELEASE ALL PRESSURE IN THE SYSTEM.

DO NOT OPERATE THE MACHINE WITHOUT ALL GUARDS AND PROTECTIVE COVERS IN PLACE.

DO NOT ALLOW ANY PART OF PERSONS OR HOSES TO CONTACT HOT SURFACES.

DO NOT HAVE ENGINE EXHAUST POINTING AT FLAMMABLE MATERIALS.

INSPECT THE PRESSURE WASHER AND HOSES FOR DAMAGED PARTS DAILY.

REPAIR LEAKS AS THEY HAPPEN TO PREVENT FURTHER DAMAGE.

DO NOT OPERATE WITH ANY FAULTY OR DAMAGED COMPONENTS.

DISCONNECT POWER CORD, BATTERY NEGATIVE AND SPARK PLUG BEFORE PERFORMING ANY SERVICE ON THE PRESSURE WASHER.

KEEP ALL HOSES AND POWER CORDS AWAY FROM VEHICLE TRAFFIC.

DO NOT MOVE THE MACHINE BY PULLING ON THE HOSE.

DO NOT LEAVE THE MACHINE EXPOSED TO HARSH ENVIRONMENTS.

DO NOT OPERATE THE MACHINE IN THE RAIN.

DO NOT DIRECT THE HIGH PRESSURE WATER STREAM AT FRAGILE OBJECTS.

DO NOT USE ANY ACCESSORIES UNLESS THEY ARE RATED AT OR ABOVE THE WORKING PRESSURE AND TEMPERATURE OF THE MACHINE.

ALWAYS USE EYE, FACE, HAND, FOOT, HEARING, AND BODY PROTECTIVE WEAR.

DO NOT OPERATE PRESSURE WASHER IF FATIGUED OR UNDER THE INFLUENCE OF ALCOHOL OR DRUGS. **BE ALERT AT ALL TIMES.**

MACHINE VARIATIONS GAS ENGINE

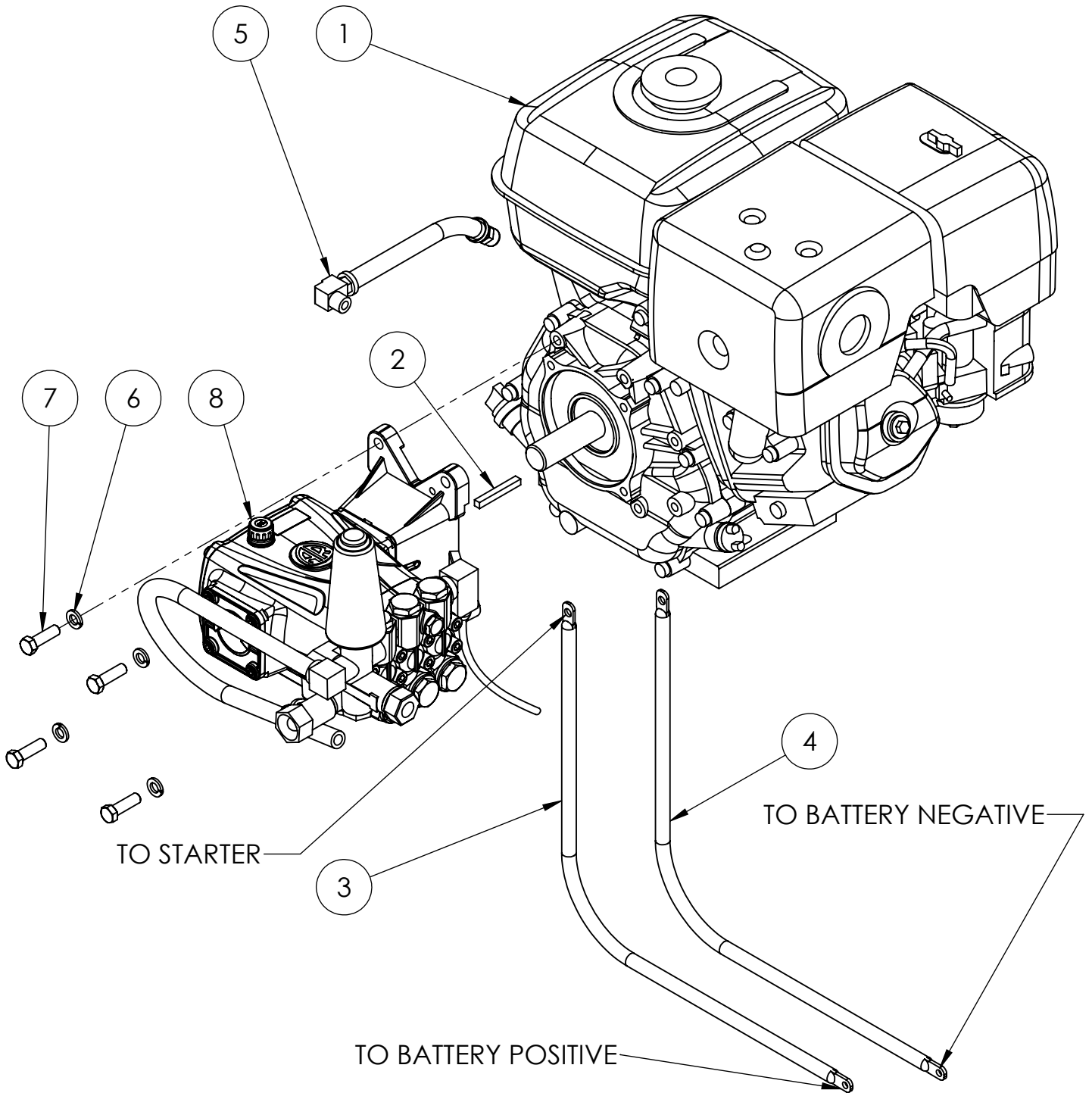
MODEL NUMBER	4012-10A	PP4012-10C *	4012-10G
ENGINE	GX390UTQNR2	GX390UTQNR2	GX390UTQNR2
PUMP	RRV4G40D-F24	66PPX40GG1	EZ4040G
PLUMBING KIT	KPL424H	KPL424H	KPL424H
NOZZLES	TPK037	TPK040-GPC	TPK040-GPC

MODEL NUMBER	4012-42HV	4012-42KV
ENGINE	GX390UTQNR2	PA-CH440-3041
PUMP	VV4G42G	VV4G42G
PLUMBING KIT	KPL424H	KPL424H
NOZZLES	TPK037	TPK037

MACHINE VARIATION DIESEL ENGINE

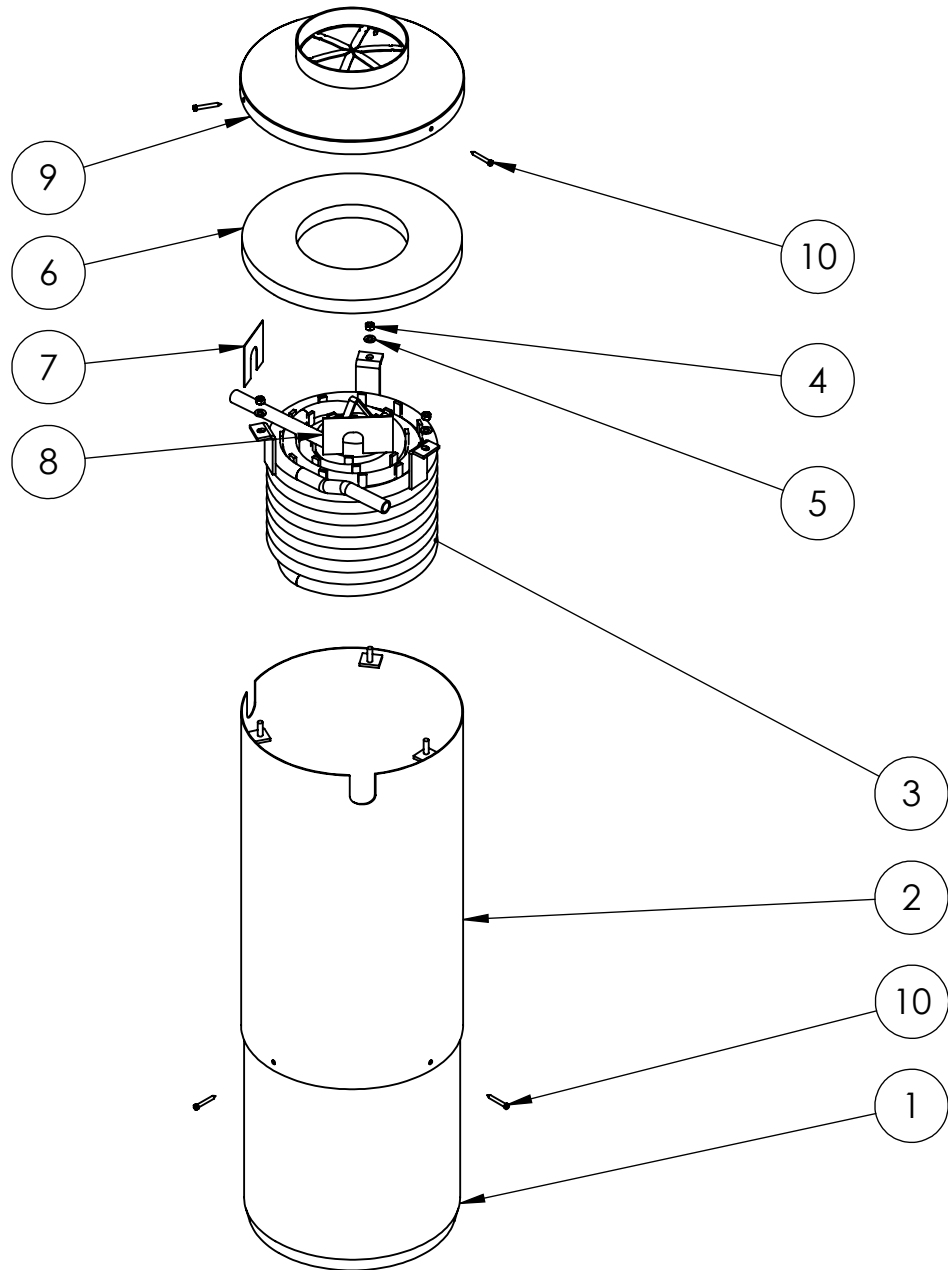
MODEL NUMBER	4012-15G
ENGINE	PA-KD420-2001
PUMP	EZ4040G
PLUMBING KIT	KPL424H
NOZZLES	TPK040-GPC

ITEM NO.	PART NUMBER	DESCRIPTION	QTY.
1	P7050-F	FRAME, HW, 4 WHEEL, PORTABLE	1
2	7009	TRAY, BATTERY BOX	1
3	V-PAX290T	AXLE, THREADED, 3/4" X 29"	2
4	1929	LOOM, SPLIT, 3/4" ID 20" LONG	1
5	4012 BURNER ASSY	BURNER HEAD SUBASSEMBLY	1
6	PPAX002	SPACER, WHEEL, 4012	4
7	PP DF80050	WHEEL, 13 X 5.00-6, FLAT FREE	4
8	4012 COIL ASSY	4012-10_ COIL TANK ASSY	1
9	2760	GROMMET, BLACK FOR 3/16 METAL	6
10	99-424	RUBBER GROMMET, 3/16 MATERIAL	2
11	HA POWER ASSY	MOTOR PUMP ASSY, AR	1
12	PDE-L100_	DECAL, LOGO, LARGE	1
13	PDE-TIPS	DECAL, MULTI COLOR, TIPS	1
14	PDE-FLAG	DECAL, FLAG	1
15	PDE-C050	DECAL, CAUTION, GAS UNIT	1
16	FUEL TANK ASSY	TANK WITH FITTINGS	1
17	4012	ENCLOSURE, SWITCH, BACK	1
18	1807D	TINNERMAN NUT, #10, UAB	3
19	LPCG50	CORD GRIP, 1/2"	2
20	8463	NUT, 1/2", CORD GRIP	2
21	4013	ENCLOSURE, SWITCH, FRONT	1
22	PP F04-00701	SWITCH, LIGHTED ROCKER, 12V, RED LENSE	1
23	PDE-SMFLAG	DECAL, SMALL FLAG	1
25	9082-1	BATTERY BOX, SMALL	1
26	SU1RMF	BATTERY, LAWN & GARDEN	1
27	KEW0124W	KIT, ELECTRICAL WIRING, 12 V PORTABLE HOT WATER	1
28	P7057-F	HANDLE, DETACHABLE, COATED	1
29	104 042 000 750	CARRIAGE BOLT, 1/4-20 X 3/4	2
30	104 051 802 000	CARRIAGE BOLT, 5/16-18 X 2	4
31	130 042 000 000	NYLOCK NUT, USS 1/4-20	9
32	130 121 620 000	3/4-16 JAMB NYLOCK	4
34	130 051 800 000	NUT, NYLOCK, 5/16-18	4
38	101 075 000 100	SAE FLAT WASHER, 3/4	8
40	111 025 000 100	FLAT WASHER, USS, 1/4	6
41	1314D	WASHER, #10, NYLON	3
42	111 031 200 100	FLAT WASHER, USS, 5/16	4
46	1317D	MACHINE SCREW, PHILLIPS HEAD, #10 X 3/8	3

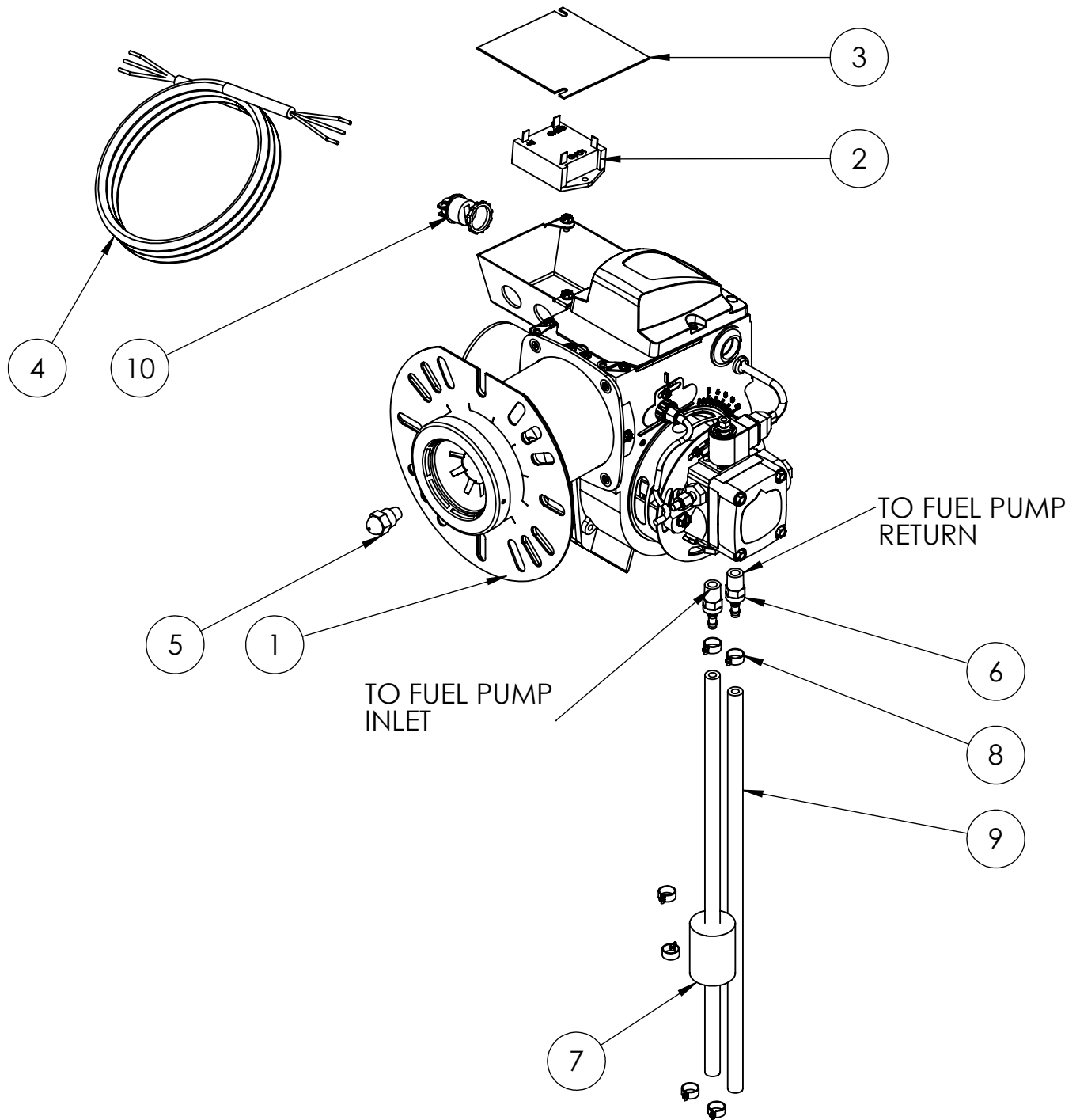


ITEM NO.	PART NUMBER	DESCRIPTION	QTY.
1	P. O. A.	HONDA GX390 ENGINE	1
2	PKY020	KEY, DRIVE, 1/4 X 2	1
3	PRO32	CABLE, BATTERY, 6AWG, RED, 32"	1
4	PRO35	CABLE, BATTERY, 6AWG, BLACK, 35"	1
5	AOD010	KIT, OIL DRAIN, GX270-GX390	1
6	131 037 500 100	LOCK WASHER, 3/8	4
7	105 061 601 250	HHCS, 3/8-16 X 1 1/4 GR5	4
8	RRV4G40D-F24	PUMP, DIRECT DRIVE, 4 GPM, 4000 PSI	1

4012 COIL TANK ASSY

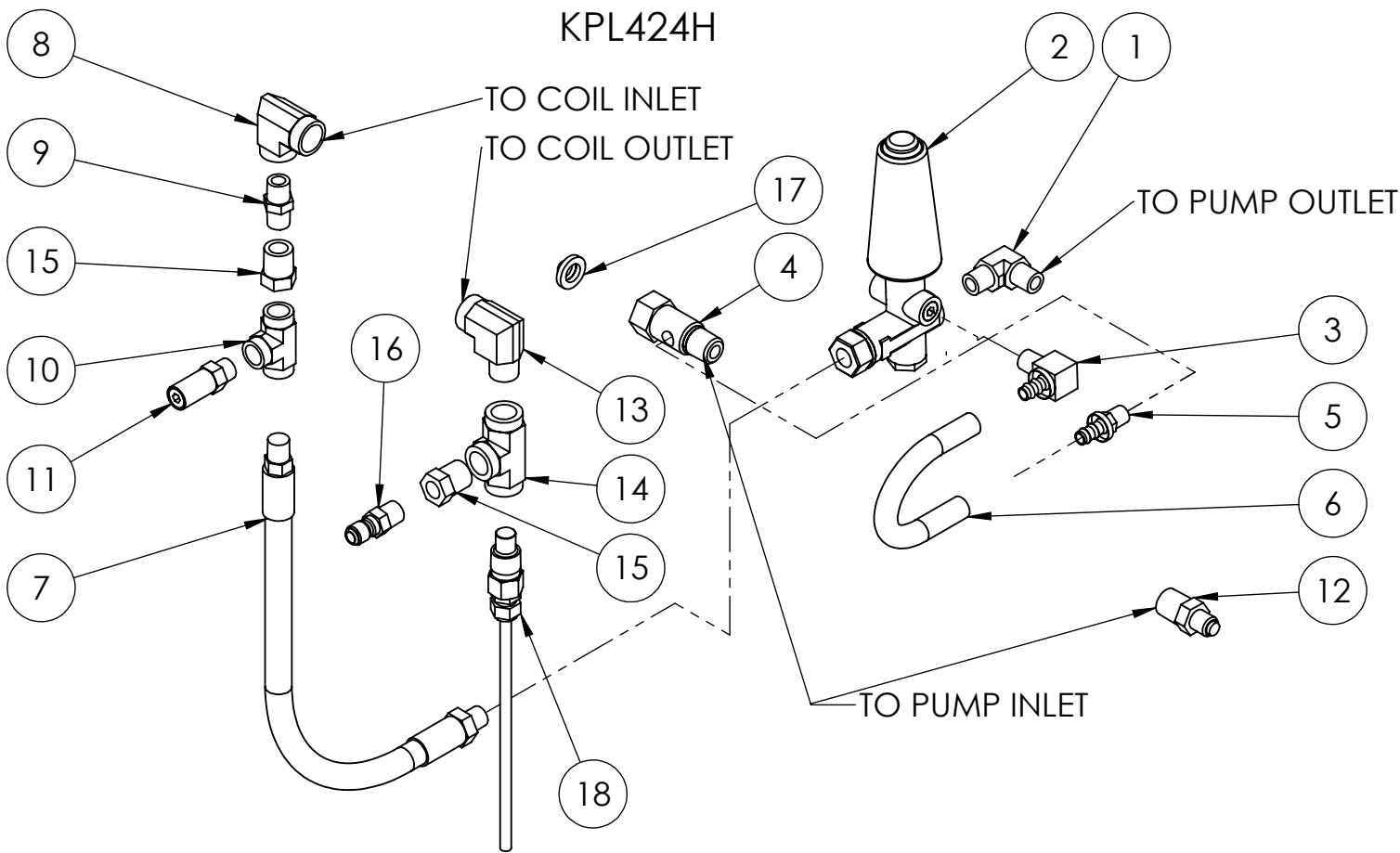


ITEM NO.	PART NUMBER	DESCRIPTION	QTY.
1	PLS-03740-002-1	INSULATION CHAMBER, 4 GPM, VERTICLE	1
2	PCA750-7	COIL SKIN, 4 GPM, 24" SS	1
3	PP PCA750-4	COIL ASSEMBLY, 4 GPM	1
4	100 051 850 000	HEX NUT, PLATED, 5/16-18, G5	3
5	111 031 200 100	FLAT WASHER, USS, 5/16	3
6	LKE5351	INSULATION DISK, 4#	1
7	PCA750-26	INSERT, SMALL, VERTICAL HOTWATER	1
8	PCA750-27	INSERT, LARGE, VERTICAL HOTWATER	1
9	P7020-F	EXHAUST HEAD, 14" FLANGED AND DISHED	1
10	203 141 470 750	SCREW, DRILL-TAPPING, 14 X 3/4	7

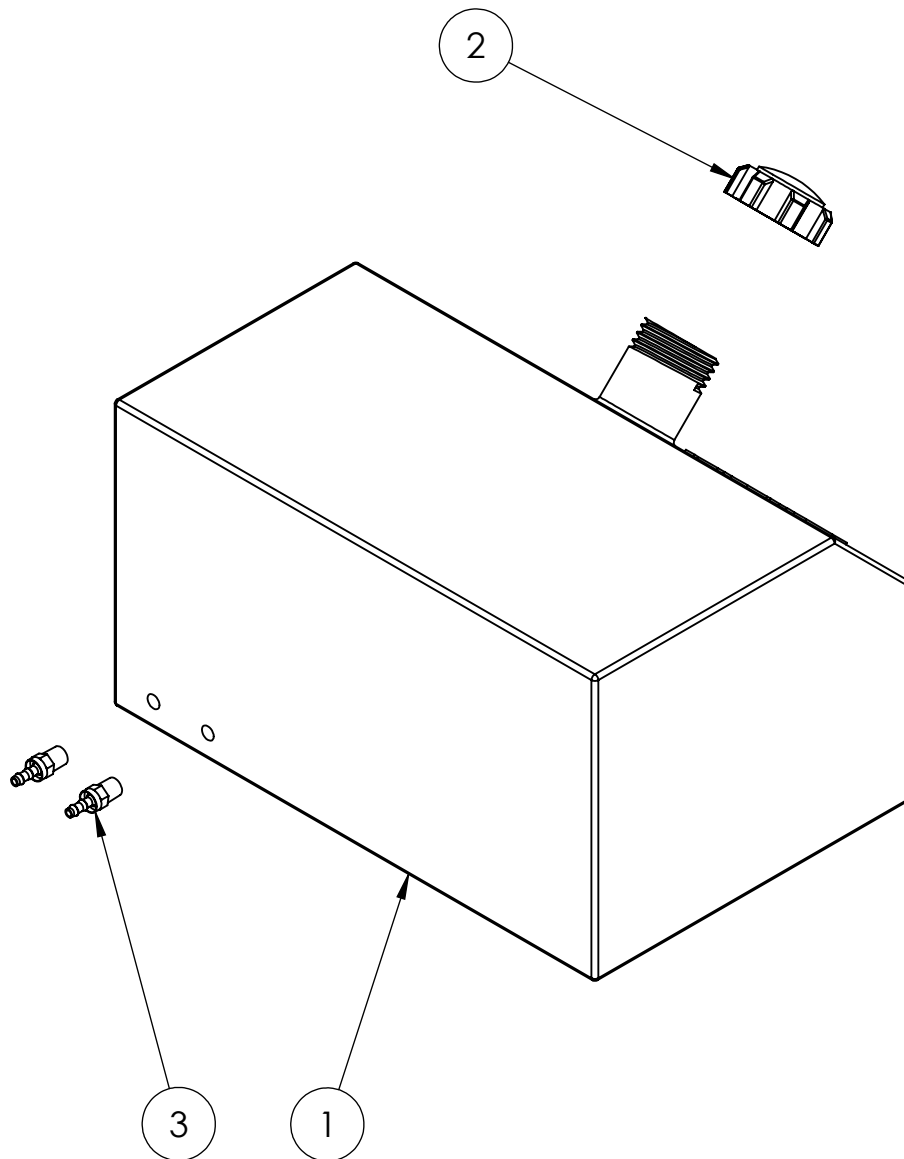


ITEM NO.	PART NUMBER	DESCRIPTION	QTY.
1	PRO101	14VDC BECKETT BURNER HEAD	1
2	PP PW-3012	LOW VOLTAGE INHIBITOR	1
3	050169007525	4 x 4 COVER	1
4	12-3-SJ	12-3 WIRE	1
5	21489	NOZZLE, FUEL, 2.0 90B	1
6	272-04-04	MALE PO HOSE BARB 1/4MPT X 1/4 HOSE	2
7	33001	FUEL FILTER, IN LINE, 1/4"	1
8	12685	SPRING CLAMP, 9/16	6
9	4219-0103(2FT)	HOSE, FUEL, 1/4" DIESEL FUEL RATED	2
10	566-DC2	ROMAX CONNECTOR, 3/8	1

KPL424H

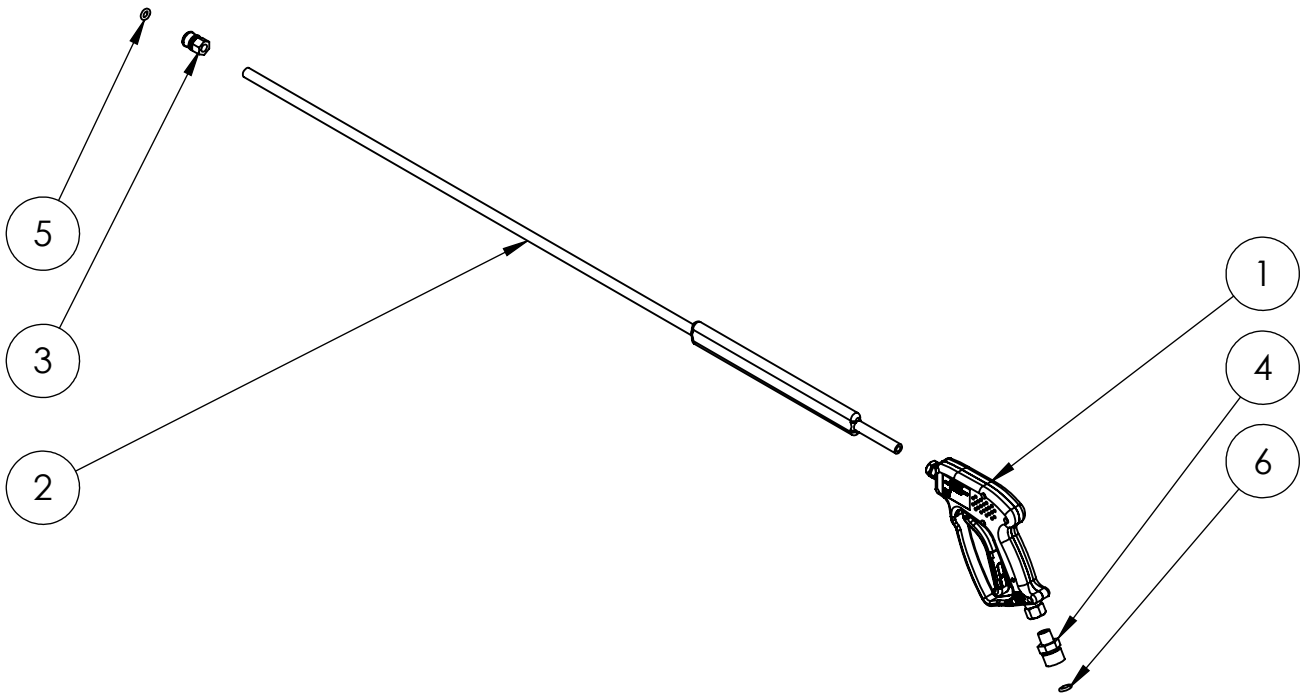


ITEM NO.	PART NUMBER	DESCRIPTION	QTY.
1	5500-06-06	HP ST ELL 90 6MP X 6MP	1
2	PP VRT3-310EZ	AR UNLOADER, 4500 PSI W/EZ	1
3	27290-06-06	HOSE BARB, PUSH ON, EL, 3/8 X 3/8 MPT	1
4	680017	GARDEN HOSE INLET, SHORT, 1/2"	1
5	272-06-04	MALE PO HOSE BARB 1/4MPT X 3/8	1
6	PP 3284-2503	HOSE, LOC-ON, 3/8"	1
7	HOS300-016	HOSE ASSY, 3/8 X 16", 5000 PSI	1
8	5504-08-06	HP ELBOW, 90, 8FP X 6FP	1
9	5404-06-06	HEX NIPPLE, HP 6MP X 6MP	1
10	5605-06-06-06	T, HP, 6FPTX6FPTX6FPT	1
11	PP22533A-4600	VALVE, POP OFF, 3/8 MPT	1
12	TRV50	THERMOSENSOR, 1/2 MPT, 140F	1
13	5502-08-08	HP ST ELL 90 8MP X 8FP	1
14	5605-08-08-08	T, HP, 8FPTX8FPTX8FPT	1
15	5406-08-06	HEX BUSHING, HP, 8MPX6FP	2
16	D10079	PLUG, QC, SS, 3/8 MALE	1
17	700004	GHA WASHER/FILTER	1
18	PP C-100753	SWITCH, HI-LIMIT, 1/2", 230F	1



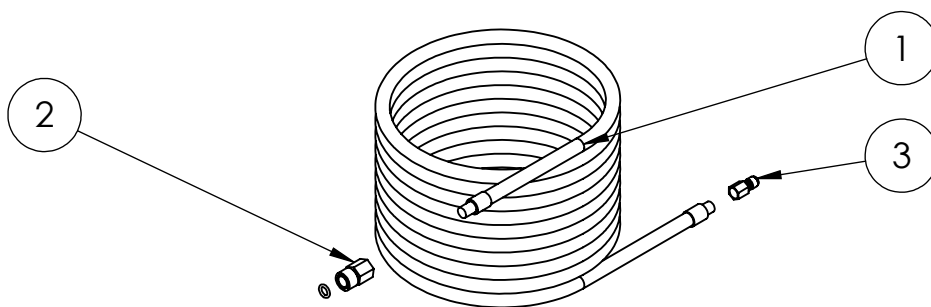
ITEM NO.	PART NUMBER	DESCRIPTION	QTY.
1	PP 520055	FUEL TANK, 8.5 GAL, POLY, DIESEL	1
2	PP 520014D-GRN	CAP, DIESEL TANK, GREEN	1
3	272-04-04	MALE PO HOSE BARB 1/4MPT X 1/4 HOSE	2

AGU04821290C-I

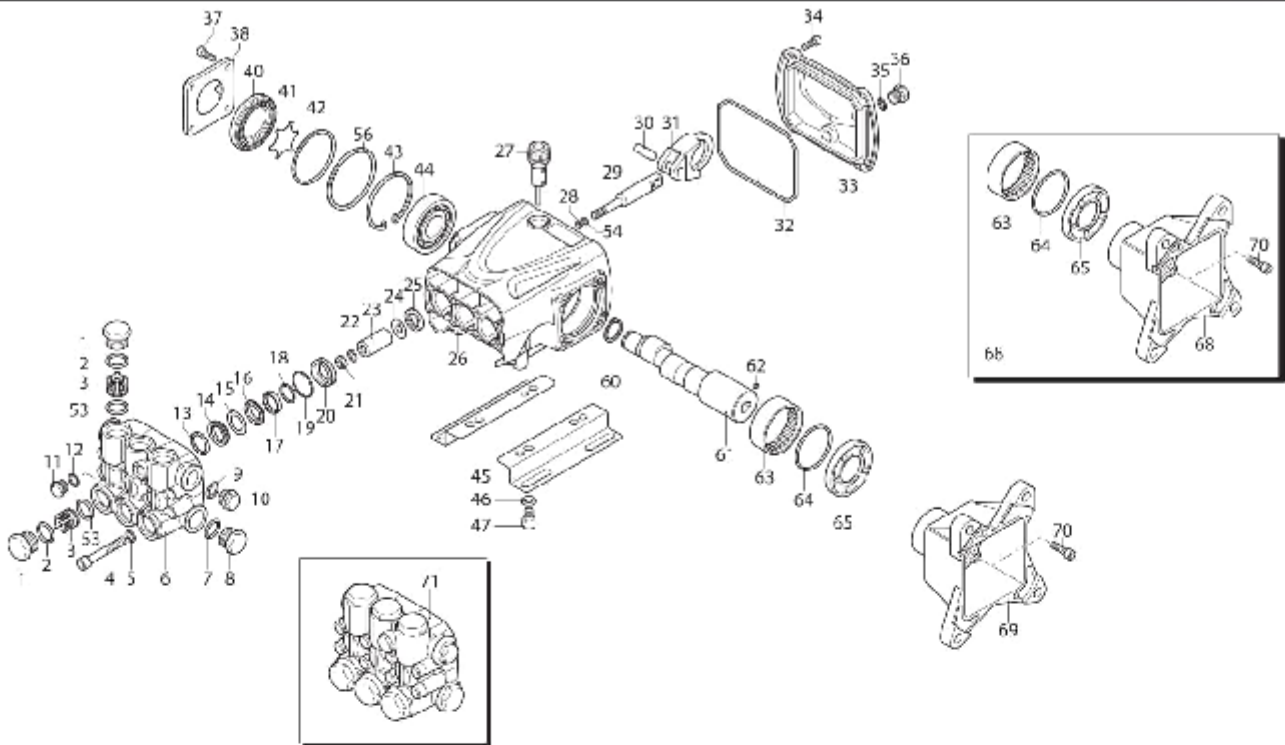


ITEM NO.	PART NUMBER	DESCRIPTION	QTY.
1	21290C	GUN VALVE, 10 GPM, 5000 PSI	1
2	DL471CS	WAND, PLATED STEEL, 48", INSULATED GRIP	1
3	D10001	QC SOCKET 1/4 FEMALE	1
4	D10004	QC SOCKET, 3/8 MALE	1
5	OR-110-VT-75-BROWN	ORING, VITON FOR 1/4" QC	1
6	OR-112-VT-75-BROWN	ORING, VITON FOR 3/8" QC	1

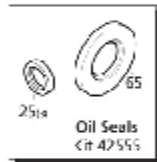
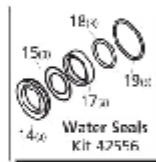
CHA0501BB



ITEM NO.	PART NUMBER	DESCRIPTION	QTY.
1	AF42-06BK-050LBR	HOSE ASSY, 3/8" X 50', BLACK	1
2	D10003	QC SOCKET 3/8 FEMALE	1
3	D11008	QC PLUG, 3/8 FEMALE	1
4	OR-112-BN-70-BLACK	O-RING, 3/8" QC	1

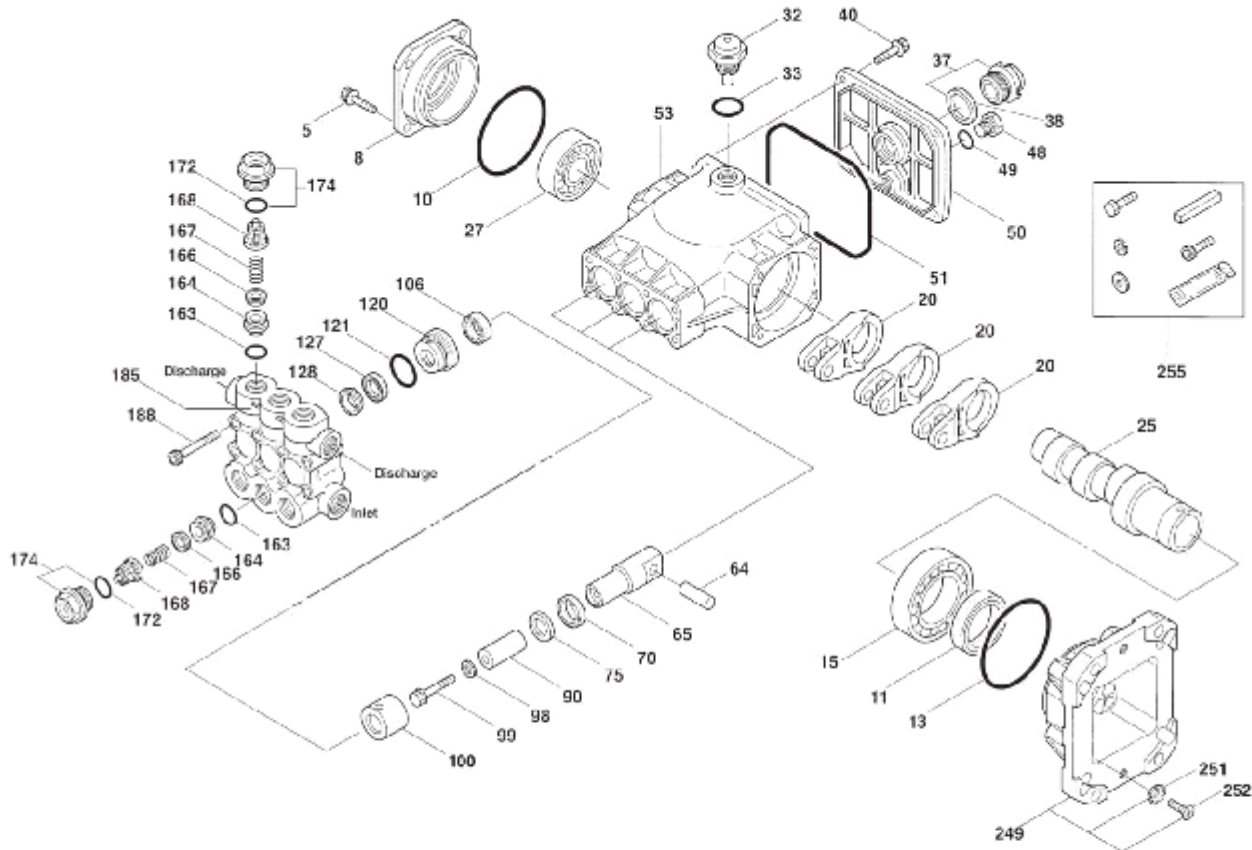


Repair Kits



Pos	Code	Description	Qty	Pos	Code	Description	Qty	Legend		
	960090	Valve Cap	(478 in/lbs) 6	33	3220030	Rear cover	1	For ○	For ●	For ◆
	960850	Valve Cap SST	(478 in/lbs) 6	34	3200220	Screw TCF16x16	(7" in/lbs) 4	For ○	For ●	For ◆
	9600909	Valve Cap- threaded 1/4" brass	(173 in/lbs) 6	35	820510	O-Ring @ 13.82x1.78	1	For ○	For ●	For ◆
	9608507	Valve Cap- threaded 1/4" SST	(173 in/lbs) 6	36	880581	Plug 1/4" G	(133 in/lbs) 1	For ○	For ●	For ◆
2	960160	O-Ring @ 17.85x2.62	6	37	1200430	Screw M 6x16	92 in/lbs 4	For ■		
3	889052	Complete valve	6	38	3200070	Cover	1			
4	800860	Screw M 8x55	(225 in/lbs) 8	40	3220080	Oil indicator	1			
5	1381850	Washer	8	41	3200090	Disc	1			
6	3220090	Head	1	42	650560	O-Ring @ 55.82x2.62	1			
7	180101	O-Ring @ 17.5x2	1	43	200390	Snap ring	1			
8	820361	Plug 1/2" G	(134 in/lbs) 1	44	1981210	Bearing	1			
9	740290	O-Ring @ 14x1.78	1	45	3200210	Base	2			
10	1580740	Plug 3/8" G	(221 in/lbs) 1	46	1322640	Washer	4			
11	880581	Plug 1/4" G	(133 in/lbs) 1	47	850250	Screw M 8x12	4			
12	820510	O-Ring @ 10.82x1.78	1	53	880830	O-Ring @ 15.51x2.62	6			
13	2760220	Ring	3	54	1060550	Ring	3			
14	1342761	Gasket	3	56	3220780	O-Ring @ 61.8x0.5	1			
15	3200680	Ring	3	60	1260770	Circlip	1			
16	3220150	Piston guide	3	61	3220240	Crankshaft - Hollow Shaft	◆ 1			
17	3200690	Gasket	3	62	3220450	Crankshaft - Hollow Shaft	◆ 1			
18	3200700	Ring	3	63	3220460	Crankshaft - Hollow Shaft	○ 1			
19	770260	O-Ring @ 23.52x1.78	3	64	820440	Grub screw M 6x6	1			
20	3220140	Piston guide	3	65	3220260	Bearing	1			
21	1260110	Nut M 8	(106 in/lbs) 3	66	3220430	O-Ring @ 55.87x1.78	1			
22	1260100	Washer	3	67	3220270	Oil Seal	1			
23	1780070	Piston	3	68	780060	Screw M 6x25	(92 in/lbs) 4			
24	1260091	Spacer	3	69	32202650-1	Flange assembly	1			
25	1260460	Ring	3	70	3220250	Flange	1			
26	3220010	Pump body	1	71	780330	Screw M 6x20	(92 in/lbs) 4			
27	880130	Plug	(44 in/lbs) 1		42638	Complete head assembly	◆ ○ 1			
28	480480	O-Ring @ 4.48x1.78	3		3229203	Complete head assembly	■ 1			
29	3220060	Piston	3		AR64516	Oil	2			
30	3220070	Corrod pin	3		UL CAPACITY - 13.35 OZ					
31	3220040	Corrod	◆ ○ 3							
32	3220560	Corrod - brass	■ 3							
32	651540	O-Ring @ 107.52x2.62	1							

A.R. North America, Inc. • www.arrnorthamerica.com • info@arrnorthamerica.com



PARTS LIST

ITEM	P/N	MATL	DESCRIPTION	QTY	ITEM	P/N	MATL	DESCRIPTION	QTY
5	125824	STCP R	Screw, HHC (M6x15)	4	98	46730	NBR	Washer Seal, Plunger Retainer - 90D	3
8	48259	AL	Cover, Bearing	1	99	48201	SS	Retainer, Plunger	3
10	14028	NBR	O-Ring, Bearing Cover - 70D	1	100	48755	NY	Retainer, Seal	3
11	125351	NBR	Seal, Oil, Crankshaft - 70D	1	106	45188	NBR	Seal, LPS w/S-Spg	3
13	14037	NBR	O-Ring, Bearing Cover	1	120	48759	B3	Case, Seal	3
15	146421	STL	Bearing, Ball - Inner	1	121	13980	NBR	O-Ring, Seal Case - 70D	3
20	48843	TNM	Rod, Connecting	3	127	48758	SNG	V-Packing	3
25	48839	CM	Crankshaft (11.4 mm)	1	128	48757	NY	Adapter, Male	3
27	14480	STI	Bearing, Ball - Outer	1	164	17547	NBR	O-Ring, Seat - 85D	6
32	46798	—	Cap, Domed, Oil Filler	1	164	45790	S	Seat	6
33	14179	NBR	O-Ring, Filler Cap - 70D	1	166	46429	S	Valve	6
37	92241	—	Gauge, Oil Bubble w/Gasket - 80D	1	167	43750	S	Spring	6
38	44428	NBR	Gasket, Flat, Oil Gauge - 80D	1	168	† 44565	PVDF	Retainer, Spring	6
40	125824	STCP R	Screw, HHC (M6x15)	4	172	17616	NBR	O-Ring, Valve Plug - 80D	6
48	25625	STCP	Plug, Drain (1/4"x19B5P)	1	174	48760	B3	Plug, Valve w/O-Ring	6
49	23170	NBR	O-Ring, Drain Plug - 70D	1	185	48846	B3	Head, Manifold	1
50	48862	AL	Cover, Rear	1	186	126512	STCP R	Screw, IIS11 (M8x65)	8
51	14048	NBR	O-Ring, Rear Cover	1	196	46690	B3	Plug, Discharge IIS11 3/8" NPTM (Not Shown)	1
53	48830	AL	Crankcase	1	249	48841	AL	Flange, Adapter	1
64	46404	CM	Pin, Crosshead	3	251	126746	STCP R	Lockwasher, Conical (M8)	4
65	48845	BB	Rod, Plunger	3	252	46403	STZP	Screw, FH (M8x25)	4
70	48911	NBR	Seal, Oil, Crankcase	3	255	30510	STZP	Assy, Bolt Mount	1
75	48754	NBR	Slinger, Barrier	3	300	76118	NBR	Kit, Seal (Incls: 106 and 127)	1
90	48752	CC	Plunger (M14x47)	3	310	76157	NBR	Kit, Valve (Incls: 163, 164, 166, 167, 168)	2

italics are optional items.

R Components comply with RoHS Directive. † Production parts different from service parts. View Tech Bulletins 024, 050, 074, 083, and 101 for additional information.

MATERIAL CODES (Not Part of Part Number): AL=Aluminum BB=Brass CC=Ceramic CM=Chrome-moly NBR=Medium Nitrile (Buna-N) NY=Nylon S=304SS

SNG=Special Blend (Buna) SS=316SS S7CP=Steel/Chrome Plated STL=Steel STZP=Steel/Zinc Plated TNM=Special High Strength

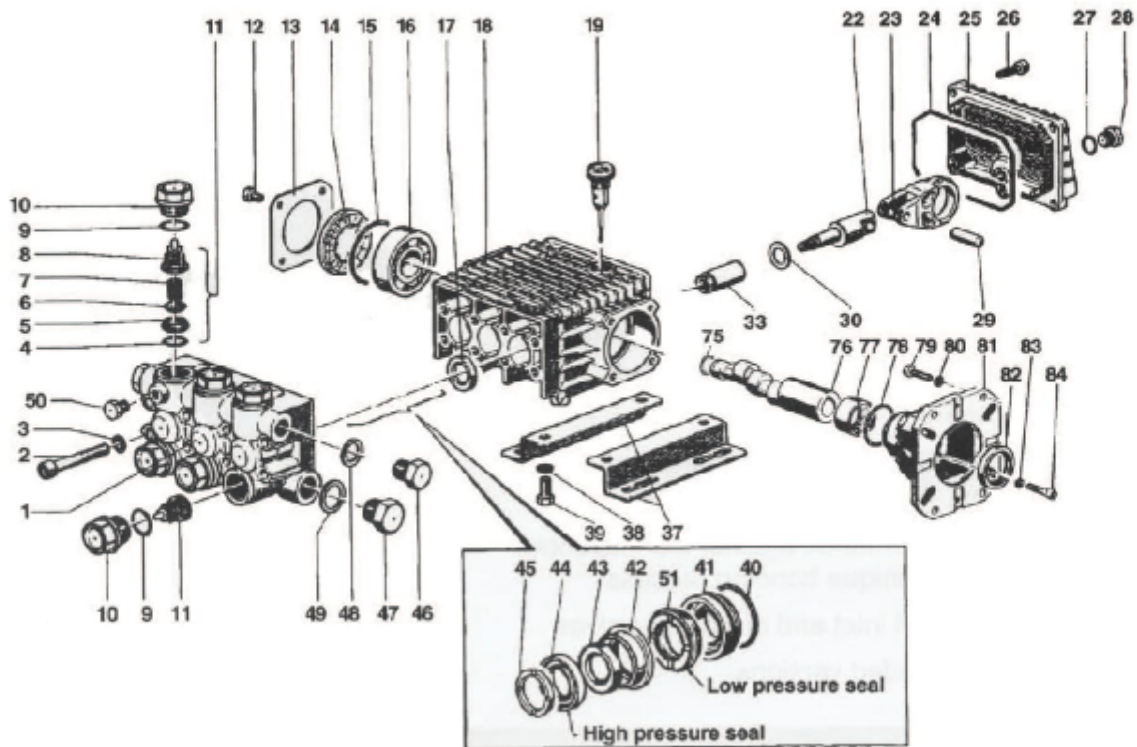


CAT PUMPS

1681 - 94TH LANE N.E. MINNEAPOLIS, MN 55449-4324
PHONE (763) 780-5440 — FAX (763) 780-2958
e-mail: techsupport@catpumps.com
www.catpumps.com

For International Inquiries go to www.catpumps.com and navigate to the "Contact Us" link.

PP1903103 Rev A 2/13



PARTS LIST

ITEM	PART NO.	DESCRIPTION	KIT NO.	QTY.	ITEM	PART NO.	DESCRIPTION	KIT NO.	QTY.	ITEM	PART NO.	DESCRIPTION	KIT NO.	QTY.
1.	44120541	Manifold		1	23.	4403C022	Connecting Rod		3	48.	96738000	Washer		1
2.	99317500	Screw		8	24.	90392000	O-ring		1	49.	96751400	Washer		1
3.	96701400	Washer		8	25.	4416C022	Rear Cover		1	50.	98196600	Cap Screw		1
4.	90384100	O-ring	123	6	26.	99183700	Screw		5	51.	90250300	Seal, Low Pressure	153,156	1
5.	36200366	Valve Seat	123	6	27.	90358500	O-ring		1	75.	90055500	Retaining Ring		1
6.	36200176	Valve	123	6	28.	98204100	Cap Screw		1	76.	44022165	Crankshaft (EZ4040G)		1
7.	94737600	Spring	123	6	29.	97734000	Pin		3		44021265	Crankshaft (EZ4035C34)		1
8.	36202551	Valve Cage	123	6	30.	98696700	Washer		3		44020865	Crankshaft (EZ4030G34)		1
9.	90384700	O-ring	124	6	33.	4404C266	Plunger, 3 mm		3	77.	91856800	Roller Bearing		1
10.	98222800	Cap Screw	124	6	37.	5020C074	Rail		156	78.	90429700	O-ring		1
11.	36711501	Valve Assembly	123	6	38.	96701600	Washer		4	79.	99275500	Screw, 5/16 x 1		4
12.	99180700	Screw		4	39.	99303700	Nut		4		96334500	Screw, 3/8 x 1		4
13.	50150074	Bearing Cover		1	40.	90361200	O-ring		156	80.	96702000	Washer, 8 mm		4
14.	44211001	Spacer		1	41.	4408C070	Packing Retainer	156	3		96710400	Washer, 10 mm		4
15.	90409700	O-ring		1	42.	44216270	Intermediate Ring	156	3	81.	10051822	Gas Flange		1
16.	91832800	Ball Bearing		1	43.	90607600	Packing	163,156	3	82.	90159000	Oil Seal		1
17.	90161400	Oil Seal	23	3	44.	9026C200	Packing	153,156	3	83.	96693800	Washer		4
18.	44010022	Crankcase		1	45.	4410C251	Head Ring	156	3	84.	99191200	Screw		4
19.	98210300	Oil Dip Stick		1	46.	9821C000	Cap Screw		1					
22.	44050166	Piston Guide		3	47.	98217600	Cap Screw		1					

REPAIR KITS

KIT NO.	K23	K123	K124	K153	K156
ITEM NO's INCLUDED IN KIT	17	4, 5, 6, 7, 8, (11)	9, 10	43, 44, 51	40, 41, 42, 43, 44, 45, 51
NUMBER OF ASSEMBLIES IN KIT	3	6	6	3	1
NUMBER OF CYLINDERS KIT WILL SERVICE	3	3	3	3	1

TORQUE SPECS*

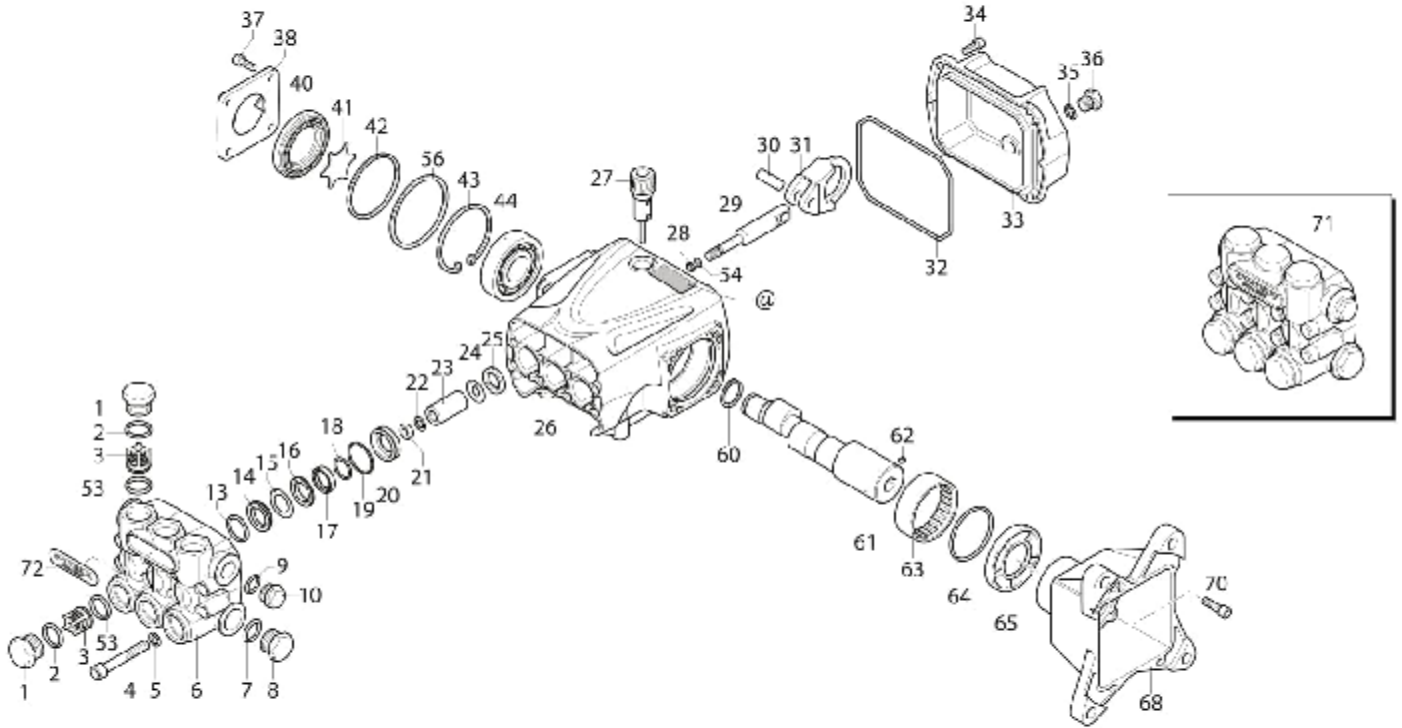
Pos.	Ft/lb	N-M
2	14.7	20
10	73.7	100
12	7.3	10
26	7.3	10
28	14.7	20
46	29.4	40
47	29.4	40
50	9.6	13
79	14.7	20
84	7.3	10

* Decrease torque by 20% if threads are lubricated

Ref 300071 Rev. G
12-09

GENERAL PUMP 1174 Northland Drive • Mendota Heights, MN 55120
Phone: (651)686-2199 • Fax: (800)535-1745 • e-mail: sales@gpcompanies.com • www.generalpump.com





Repair Kits



Pos	Code	Description	Qty	Pos	Code	Description	Qty	Legend			
1	VP960850	Plug	(178 in/lbs) 6	24	VP1260091	Plate	3	For ○	For ●		
2	VP960162	O-Ring Ø 17.86x2.62	6	25	VP1260091	Oil seal	3	VV3G36G	VV4G42G		
3	VP889052	Complete valve	6	26	VP3220010	Pump body	1	44	VP1981210	Bearing	1
4	VP800860	Screw M8x55	8	27	VP880130	Plug	(44 in/lbs) 1	53	VP88C830	O-Ring Ø 5.54x2.62	6
5	VP138 850	Washer	8	28	VP480480	O-Ring Ø 4.48x1.78	3	54	VP108C550	Ring	3
6	VP3220850	Head	1	29	VP3220060	Piston	3	56	VP322C780	Ring Ø 6.18x5.78x0.5	1
7	VP180101	O-Ring Ø 14.5x2	1	30	VP3220070	Pin	3	50	VP126C770	Ring Ø e 25	1
8	VP870361	Plug 1/2" G	(354 in/lbs) 1	31	VP32201140	Connecting-rod	3	51	VP322C240	Crankshaft	○1
9	VP740290	O-Ring Ø 4x1.78	1	32	VP651540	O-Ring Ø 107.62x2.62	1	51	VP322C460	Crankshaft	●1
10	VP1980740	Plug 3/8" G	(271 in/lbs) 1	33	VP3220830	Cover	1	52	VP82C440	Screw M6x6	1
13	VP2760220	Ring	3	34	VP32C0220	Screw 6x16	(71 in/lbs) 4	53	VP322C260	Bearing	1
14	VP1342761	Water seal	3	35	VP820510	O-Ring Ø 12.82x1.78	1	54	VP322C430	O-Ring Ø 56.85x1.78	1
15	VP3200680	Ring	3	36	VP880581	Plug 1/2" G	(133 in/lbs) 1	55	VP322C270	Ring	1
16	VP3220150	Piston guide	3	37	VP12C0430	Screw M6x 6	(92 in/lbs) 4	56	VP78C060	Screw M6x25	(92 in/lbs) 4
17	VP3200690	Gasket	3	38	VP32C0070	Support	1	58	VP322C250	Hange	1
18	VP3200700	Ring	3	40	VP3220080	Level gauge	1	70	VP78C330	Screw M6x20	(92 in/lbs) 4
19	VP770260	O-ring Ø 23.52x1.78	3	41	VP3200390	Plate	1	71	VP3229206	Head assembly	1
20	VP3220140	Piston guide	3	42	VP650560	O-Ring Ø 56.82x2.62	1	72	VP322C860	Sticker	1
21	VP1260110	Nut M8	(106 in/lbs) 3	43	VP200390	Ring Ø 52	1				
22	VP1260100	Washer	3								
23	VP1780070	Piston	3								
									AR64516	Oil	2
										Oil Capacity - 15.13 oz	

PRO101 BURNER HEAD

10. Replacement Parts

For best performance specify genuine *Beckett* replacement parts

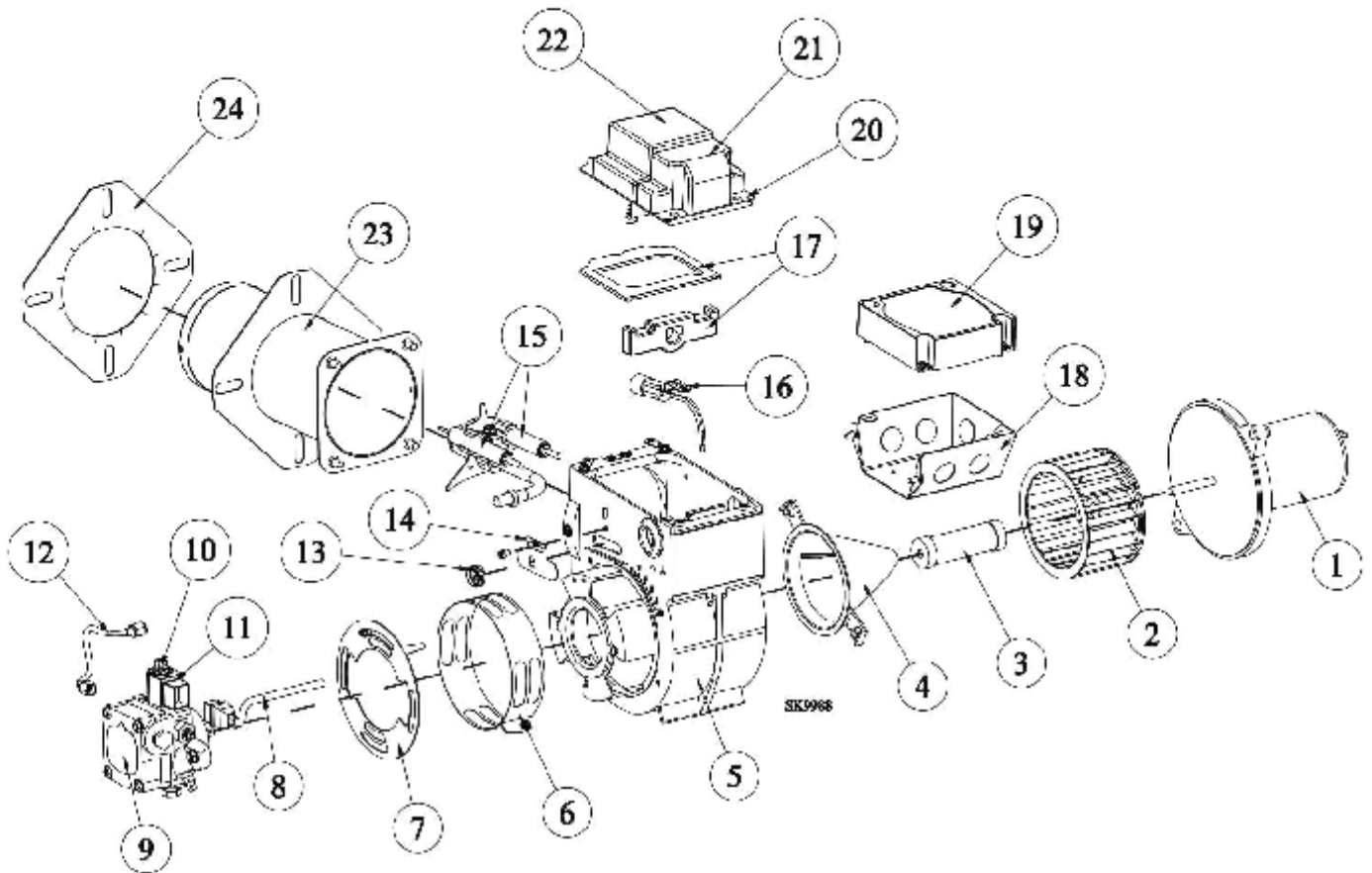


Illustration #	Description	Part#
1	DC Motor	21699UF
2	Blower Wheel	21404U
3	Coupling	21405
4	Air Guide	31231U
5	Burner Housing - Black	55874BKU
6	Air Band	5151501
7	Air Shutter - 4 Slot Air Shutter - 8 Slot	3709 3494
8	Cord set	21807
9	Pump (CleanCut)	2184402U
10	Tube Assembly	21877U
11	12 volt Coil	21754U
12	8" Copper Tubing	5394
13	Escutcheon Plate Spline Nut	3666

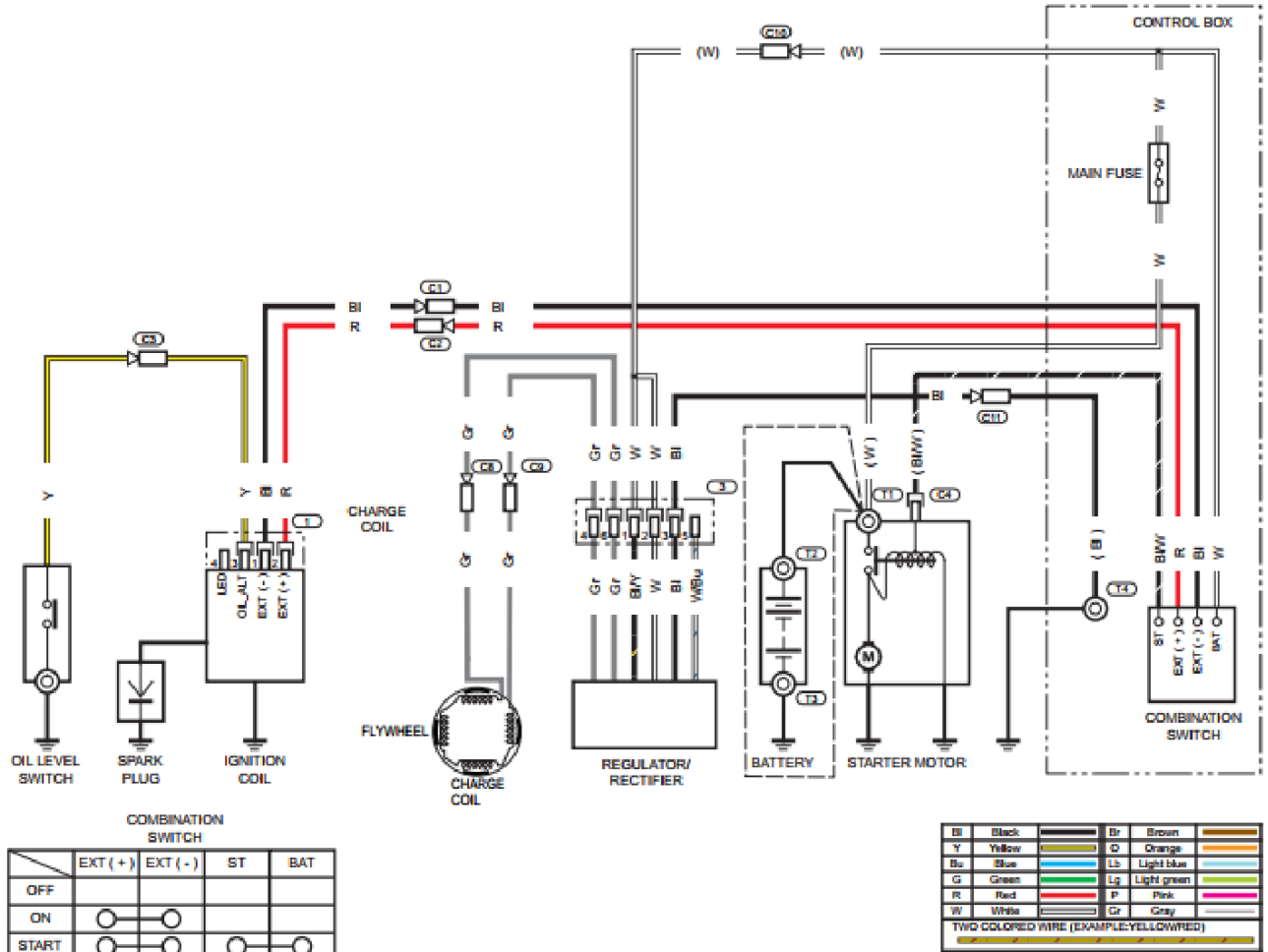
Illustration #	Description	Part#
14	Escutcheon Plate	3493
15	Electrode Kit over 3-5/8"	570731
16	Cad Cell Detector	7492/7006U
17	Ignitor Gasket Kit	51411
18	4X4 Wiring Box Kit	5770
19	Control Kit	7556x-xxxxU*
20	Ignitor Ass'y w ICB Ignitor w/o ICB	51776TU 51777TU
21	ICB Kit	51663
22	Ignitor only	7435U
23	Air Tube Ass'y	Specify
24	Flange Mounting Gasket	Specify
Not Shown	Tune-up Kit for 30 & 35 Air Tube Lengths	578730

* 'X's indicate timing options. Contact Beckett for available part numbers.

HONDA GX390 WIRING DIAGRAM

Electric Start Models

18A Charging System

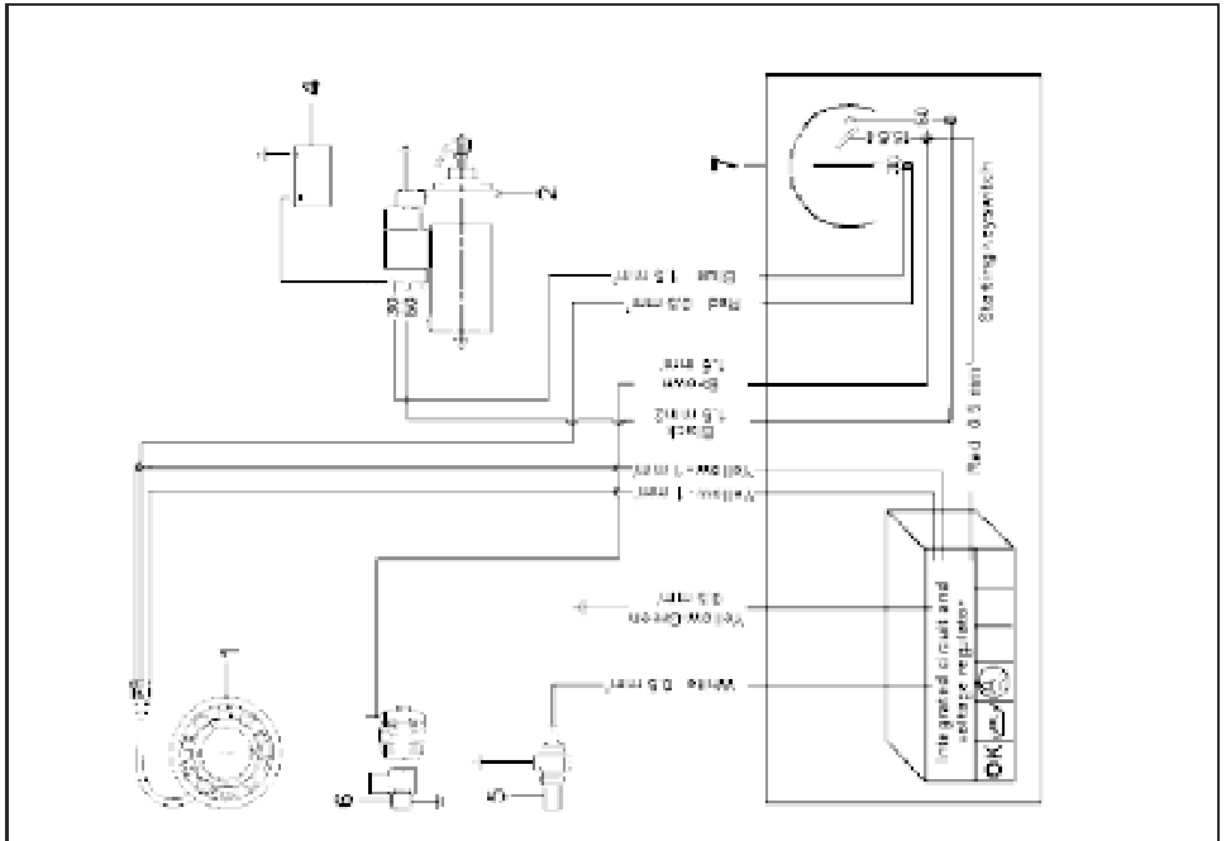


12V electric ignition layout with motor protection (optional)

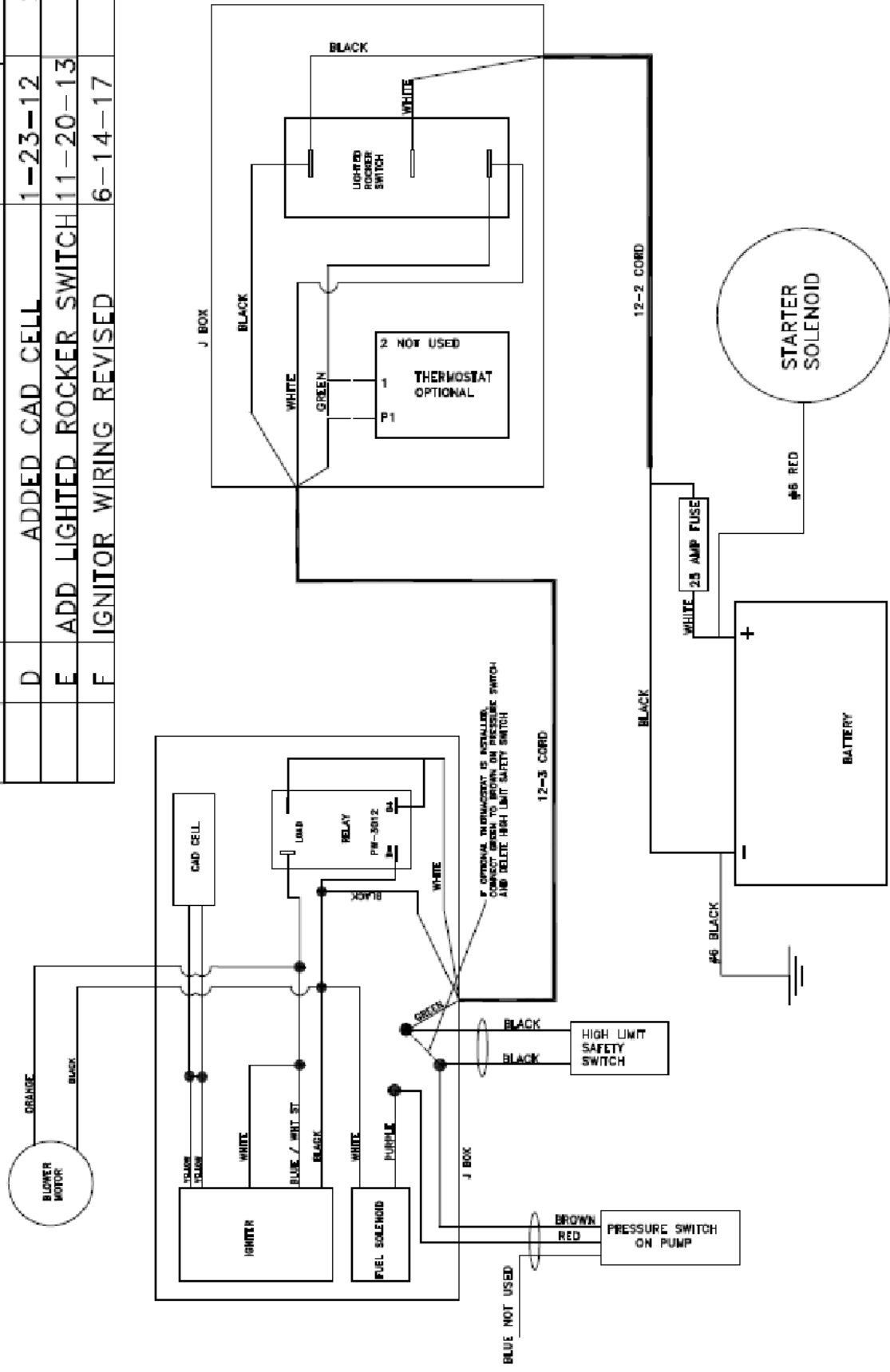
Components:

- 1 Alternator
- 2 Starter motor
- 4 Battery
- 5 Pressure switch
- 6 Solenoid valve
- 7 Ignition switch
- 3 Panel

Note: The battery, which is not supplied by KOHLER, should have 12V nominal voltage rating and a capacity of not less than 44 Ah; 210 Amp. of fast discharge intensity.



REVISIONS				
ZONE	REV	DESCRIPTION	DATE	APPROVED
	D	ADDED CAD CELL	1-23-12	SP
	E	ADD LIGHTED ROCKER SWITCH	11-20-13	
	F	IGNITOR WIRING REVISED	6-14-17	



Pressure-Pro
 Pressure Washers • Sub-Assemblies • Pumps • Accessories • Parts
 7300 Commercial Circle, Fort Pierce, FL 34951
 (772) 461-4486 • Fax (888) 871-0365
 e-mail: sales@pressure-pro.com • www.pressure-pro.com

12 VOLT HOTSHOT 4 WHEELER
 WIRING DIAGRAM

DATE: 08-01-2010
 REV: 1

SCALE: 1/8" = 1"