

Rhino Hot Water Pressure Cleaner

Exploded View Drawing & Parts List

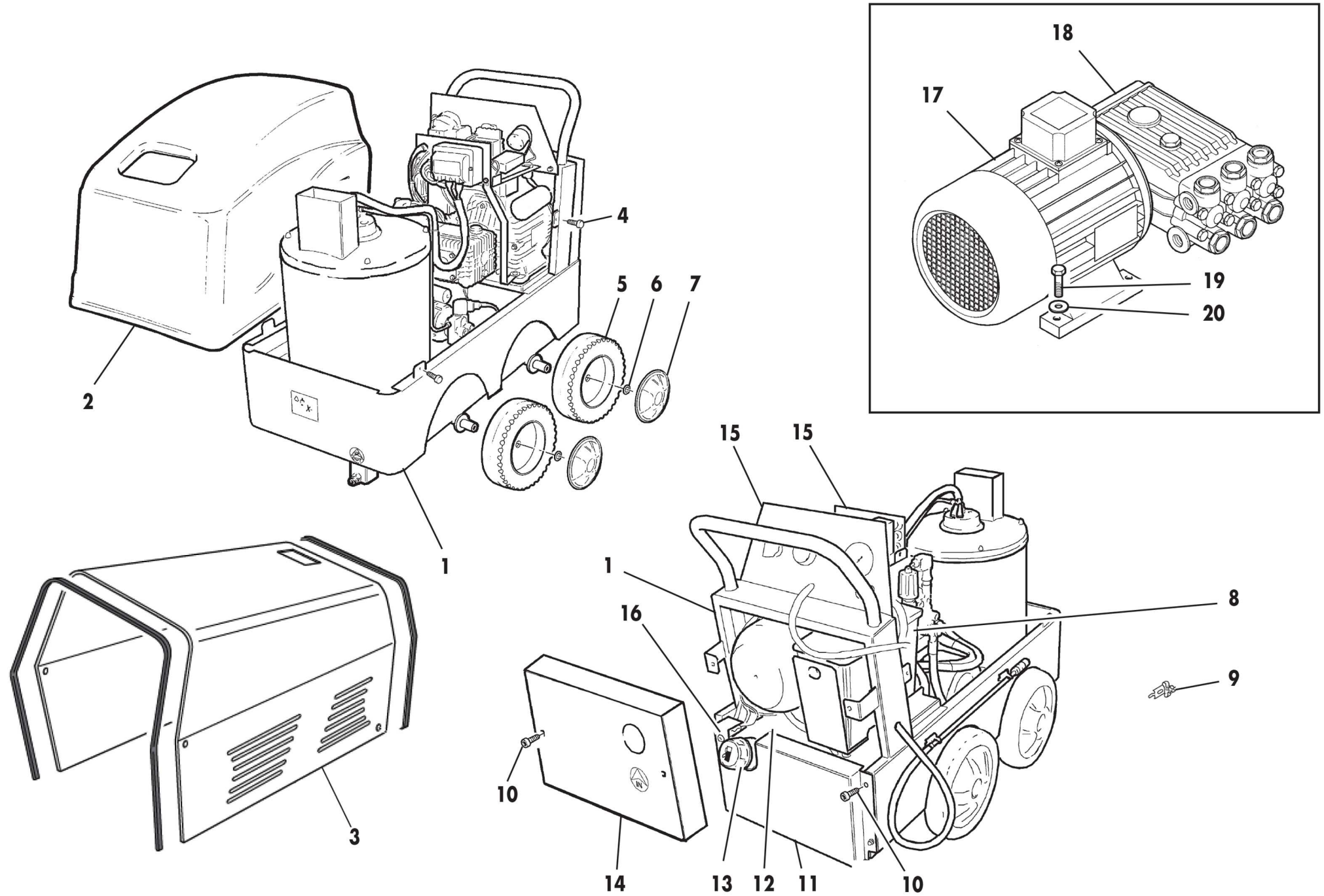


XXXXXX CE	MAER IDROPULTRICE	XXXXXXXXXX XXXXXXXXXX	
CODE	XXXXXX	TYPE	XXXXXX
INSULATION	IPXXE	YEAR	XXXXXXXX
MAX. PRESSURE BAR	100	WT LITERS l	11
VOLTAGE	XXXXX	FREQUENCY	50 HZ
AMPERE AT 415V	H	AMP 240V	13.5
MAX TEMPERATURE °C	0-100	AT 2BAR	0-160
FUEL	DIESEL	WEIGHT	90



The identification plate (with the technical characteristics of the machine) is positioned on the trolley and is always visible.

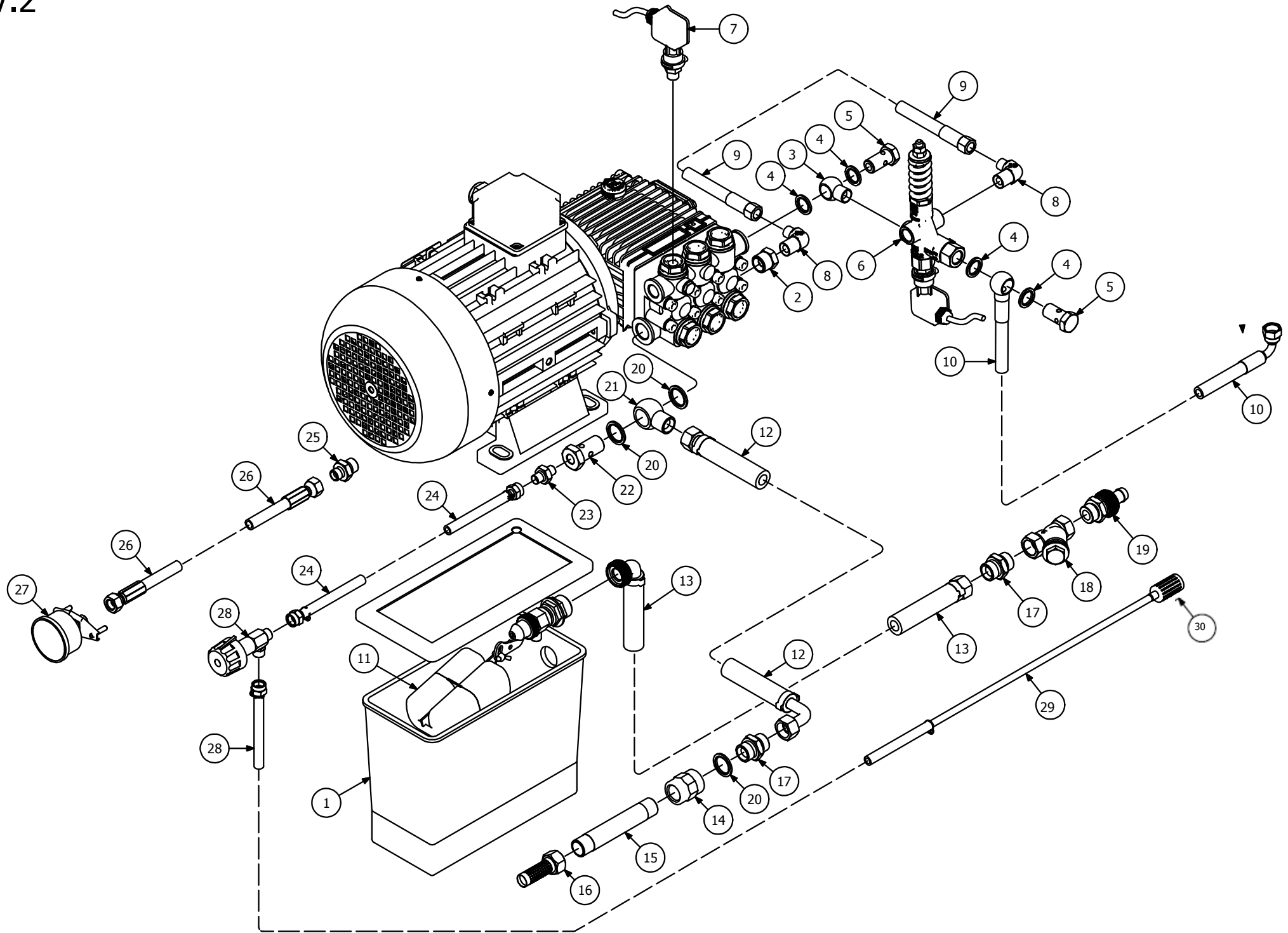
TAV. 1



TAV 1**K-NSI Parts not stocked by Kerrick. Maybe available from your local hardware store.****#Part requires special order from supplier**

REF	QTY	PART NUMBER	DESCRIZIONE	DESCRIPTION
1	1 #	MAER10.000.057.1	Telaio LUX	RHINO Frame
2	1 #	MAER10.000.087	Cofano in plastica	Plastic cover
3	1 #	MAER10.000.074	Cofano in acciaio inox	Stainless steel cover
4	4	MAER0.000.042.1	Nottolino	Bonnet screw
5	4	MAER10.000.437	Ruota D. 250	Wheel D. 250
6	4	MAER10.000.027	Fermaruota clips D. 20	Block wheel D. 20
7	4	MAER10.000.209	Copriruota	Wheel cap
8	1	MAER10.000.043	Vaschetta acqua	Water tank
9	1 #	MAER10.000.010.1	Pinza supporto astina detergente	Chemical support clip
10	4	K-NSI	Vite	Screw
11	1 #	TBA	Pannello chiusura serbatoio gasolio	Fuel tank rear panel
12	1	MAER10.000.009	Serbatoio gasolio 16LT	16LT fuel tank
13	1	MAER10.000.012	Tappo serbatoio gasolio 16LT	Fuel tank cap
14	1 #	TBA	Pannello posteriore	Rear panel
15	1 #	TBA	Pannello comandi	Controls panel
16	1	MAER70.000.116	Lampada spia arancio	Orange Fuel Indicator Light
17	1 #	MAER60.000.027	Motore 2.2kW 3HP 230/50Hz	Motor 2.2kW 3HP 230/50Hz
17	1 #	MAER60.000.005	Motore 4kW 5.5HP 230/400/50Hz	Motor 4kW 5.5HP 230/400/50Hz
18	1	IP W98 or	Pompa W98 SX	Pump W98 Left
18	1	IP W130	Pompa W130 SX	Pump W130 Left
18	1	N/A	Pompa W140 SX	Pump W140 Left

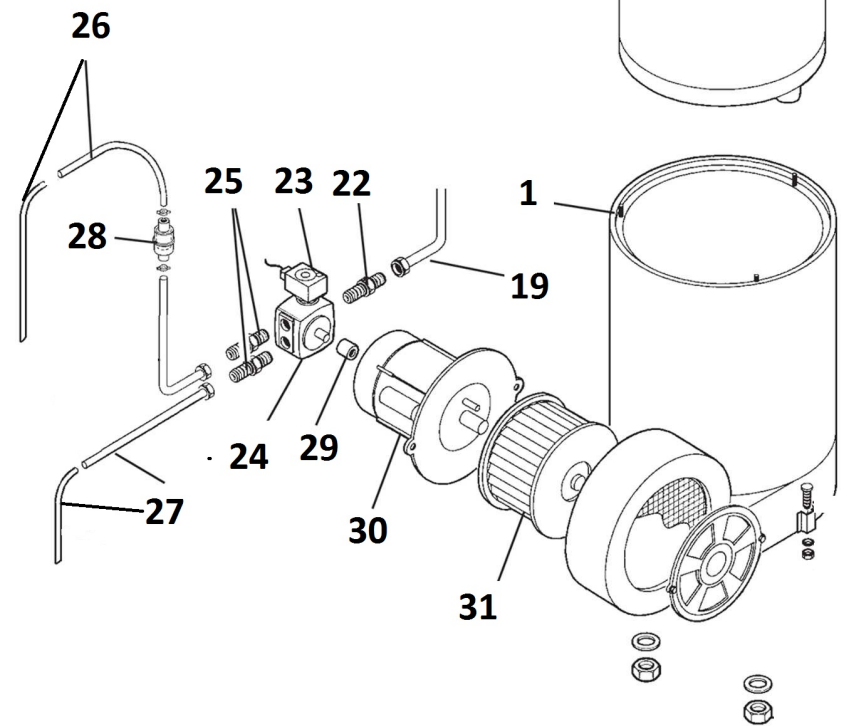
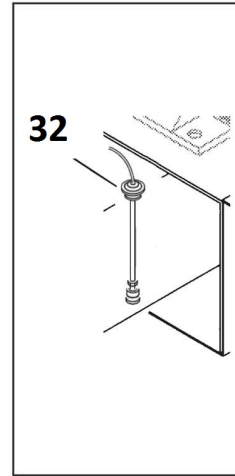
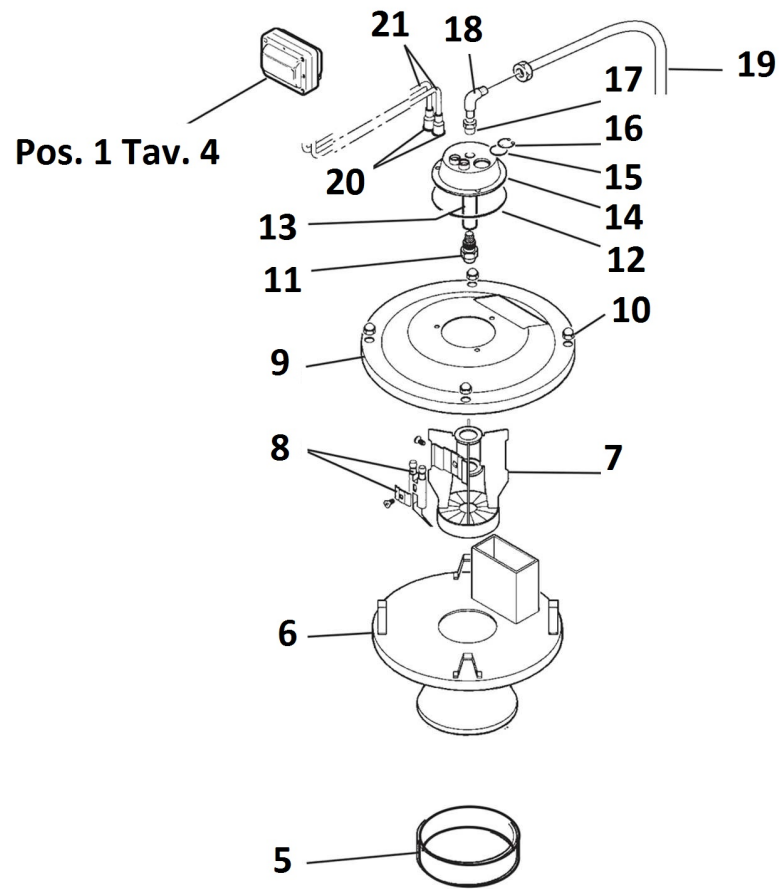
TAV.2



TAV 2**K-NSI Parts not stocked by Kerrick. Maybe available from local hardware store.****# Parts require special order from supplier**

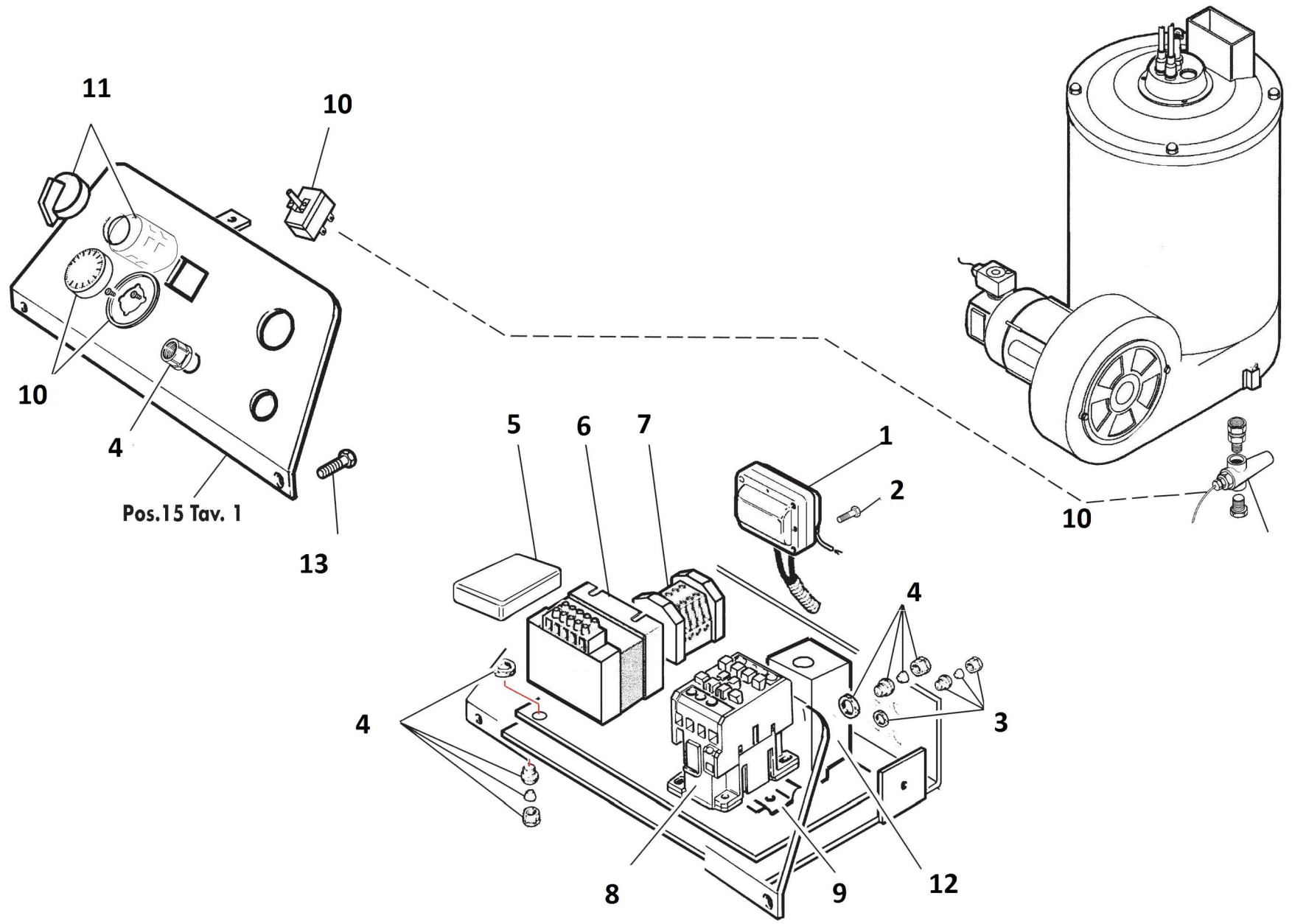
REF	QTY	PART NUMBER	DESCRIZIONE	DESCRIPTION
1	1	MAER10.000.043	Vaschetta acqua plastica LUX	RHINO Plastic water tank
2	1 #	MAER20.000.008	Riduzione a tappo 1/2"M x 3/8"F	Plug reduction 1/2"M x 3/8"F
3	1	MAER20.000.063	Occhio 3/8"	Eye 3/8"
4	4 #	MAER20.001.006	Rondella bonded 3/8"	Bonded washer 3/8"
5	2	MAER20.000.007	Bullone cavo 3/8"	Bolt - hole 3/8"
6	1 #	MAER40.000.027	Valvola Pulsar4 con micro	Pulsar4 with microswitch bypass valve
7	1	MAER70.000.035	Pressostato 40bar	Pressure switch 40bar
8	2 #	MAER20.000.039	Curva ottone 3/8"M x 1/4"F	Brass Bend 3/8"M x 1/4"F
9	1	MAER90.000.053	Tubo by pass 1/4"	Bypass hose 1/4"
10	1	MAER90.000.054	Tubo 5/16" - curva + occhio 3/8"	Pipe 5/16" - bende + eye 3/8"
11	1	MAER40.000.111	Galleggiante acqua Ottone	Brass water floater
12	1 #	MAER90.000.268	Tubo aspirazione acqua Lux	RHINO water suction hose
13	1 #	MAER90.000.178	Tubo alimentazione acqua LUX	RHINO inlet water hose
14	1 #	MAER20.000.364.2	Manicotto PVC 1/2"	Coupling PVC 1/2"
15	1 #	MAER90.000.103	Tubo PVC 1/2"	Pipe PVC 1/2"
16	1 #	MAER40.000.233	Filtro aspirazione acqua vaschetta ottone/inox	Brass/ Stainless steel water suction filter
17	2 #	MAER20.000.004	Nipplo 1/2"	Nipple 1/2"
18	1	MAER40.000.000	Filtro ottone da 1/2" acqua	1/2" brass water filter
19	1 #	MAER20.000.000	Attacco acqua completo	Complete water coupling
20	3 #	MAER20.001.003	Rondella bonded 1/2"	Bonded copper washer 1/2"
21	1	MAER20.000.064.2	Occhio da 1/2"	Eye 1/2"
22	1	MAER20.000.052	Bullone cavo 1/2" + filetto 1/4"	Bolt - hole 1/2" + thread 1/4"
23	1	MAER20.000.014	Nipplo 1/4"	Nipple 1/4"
24	1 #	MAER90.000.070	Tubo aspirazione detergente interno LUX	RHINO inner chemical suction hose
25	1 #	MAER20.000.033	Nipplo 3/8" - 1/4"	Nipple 3/8" - 1/4"
26	1	MAER90.000.012	Tubo manometro L=360	Pressure gauge hose L=360
27	1 #	MAER40.000.009	Manometro assiale D.50	Pressure gauge D.50 (not shown MAER40.000.046 Gauge Support & MAER90.000.005 Gauge Hose
28	1	MAER40.000.007	Rubinetto detergente	Chemical tap
29	1	MAER90.000.068	Tubo aspirazione detergente Lux + astina INOX e filtro plastica	RHINO external chemical suction hose x + Stainless steel pipe and plastic filter
30	1	MAER40.000.008	Filtro detergente	Chemical filter

TAV. 3



TAV 3**K-NSI Parts not stocked by Kerrick. Maybe available from your local hardware store.****# Part requires special order from supplier**

REF	QTY	PART NUMBER	DESCRIZIONE	DESCRIPTION
1	1 #	MAER50.000.034	Corpo caldaia inox M1	Stainless steel boiler body M1
2	1 #	MAER50.000.037	Camera interna caldaia M1	M1 boiler liner
3	1	MAER50.000.085	Fondello inox con refrattario	Boiler bottom with refractory
4	1	MAER50.000.040	Serpentina LUX	RHINO coil
5	1 #	MAER50.000.007	Anello di fondo inox	Stainless steel ring
6	1	MAER50.000.032	Testata inferiore con camino	Lower head with chimney
7	1	MAER50.000.010	Deflettore	Deflector
8	1	MAER50.000.011	Elettrodo bifilare	Bifilar Electrodes
9	1 #	MAER50.000.012	Coperchio inox sagomato	Stainless steel upper head
10	4 #	MAER20.000.025	Dado cieco	Blind nut
11	1	MAER0.000.013	Ugello gasolio	Fuel nozzle
12	1	MAER0.000.015	Guarnizione	Gasket
13	1 #	MAER50.000.014	Porta ugello	Fuel nozzle holder
14	1 #	MAER50.000.016	Piattello porta elettrodi	Electrodes holder aluminium cover
15	1 #	MAER50.000.017	Vetrino controllo fiamma	Flame control glass
16	1 #	MAER50.000.018	Seeger	Seeger
17	1 #	MAER20.000.024	Giunzione 1/8"	Gasket 1/8"
18	1 #	MAER20.000.019	Raccordo a gomito	Coupling
19	1	MAER90.000.080	Tubo gasolio rame completo	Complete fuel copper pipe
20	1	MAER50.000.025	Gommino protezione elettrodi	Rubber electrodes protection
21	2	MAER70.000.018	Cavo AT per trasformatore	H.T. cable for transformer
22	2 #	MAER20.000.020	Raccordo 1/8" diritto	Coupling 1/8"
23	1 #	MAER50.000.030	Elettrovalvola gasolio 24V	Fuel solenoide valve 24V
24	1	MAER50.000.029	Pompa gasolio	Fuel pump
25	1 #	MAER90.000.014	Nipplo 1/4"	Nipple 1/4"
26	1 #	MAER90.000.076	Tubo aspirazione gasolio	Fuel suction pipe
27	1 #	MAER90.000.077	Tubo ritorno gasolio	Fuel return pipe
28	1	MAER50.000.019	Filtro gasolio	Fuel filter
29	1	MAER50.000.022	Giunto plastica pompa gasolio	Fuel pump plastic joint
30	1	MAER50.000.221	Motore bruciatore 130Watt 230v	Burner motor 130Watt 230v
31	1 #	MAER50.000.020	Ventola caldaia	Burner fan
32	1	MAER70.000.022.1	Galleggiante livello gasolio	Low fuel floater



TAV 4**K-NSI Parts not stocked by Kerrick. Maybe available from your local hardware store.****#Part requires special order from supplier.**

REF	QTY	PART NUMBER	DESCRIZIONE	DESCRIPTION
1	1	MAER70.000.163	Trasformatore AT elettronico	H.T. electronic transformer
2	2	K-NSI	Vite	Screw
3	5 #	MAER70.000.003	Pressacavo PG7	Cable gland PG7
4	1 #	MAER70.000.001	Pressacavo PG16	Cable gland PG16
5	1	MAER70.000.011	Scheda elettronica	Electronic board
6	1	MAER70.000.010	Trasformatore 24V	24V Transformer
7	1	MAER70.000.024	Morsettiera completa	Complete terminal
8	1	MAER70.000.209	Contattore	Contacteur
9	1 #	MAER70.000.007	Barra	Omega low holded bar
10	1	MAER70.000.014	Termostato senza interruttore	Thermostat without switch
11	1	MAER70.000.044	Interruttore generale 2 scatti	2-ways switch
12	1	MAER70.000.042	Relé termico	Thermal relais

TAV.5 – ACCESSORIES

