

Spare Parts List

VE300P - SCUP

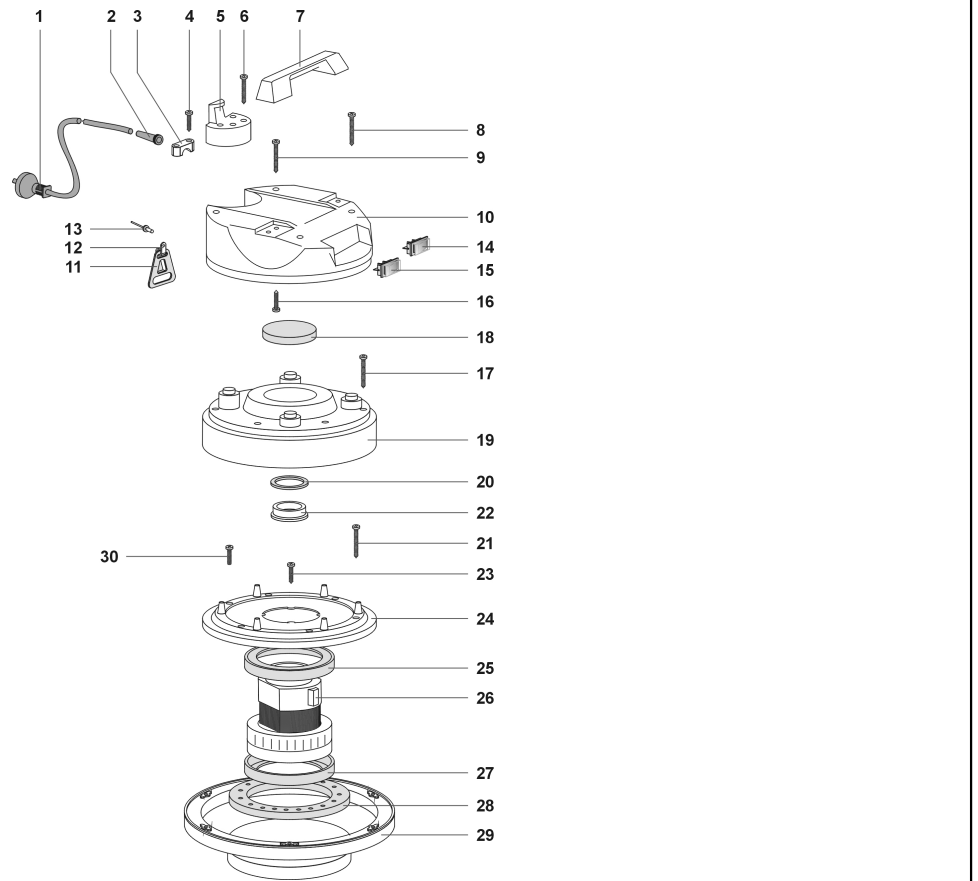


IPC Integrated Professional Cleaning

IPC Soteco

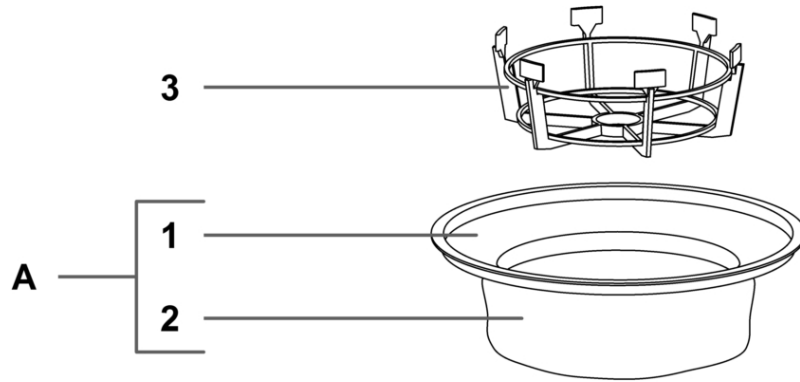
| Ref. | Part No | Kerrick Part No | Description | Quantity | Validity | | Price |
|------|-----------|-----------------|----------------------------------|----------|----------|----|-------|
| | | | | | From | To | |
| 0001 | PMTA02187 | VP02691 | HEAD SCUP AUS C/PIAS (KERAUS) | 1,00 | | | -- |
| 0002 | FTDP87147 | N/A | KIT FILTER YES DRY COMPL. | 1,00 | | | -- |
| 0003 | MPVR28779 | VP02683 | COMPL.CLEAR WATER TANK LT.11 | 1,00 | | | -- |
| 0004 | LAFN10683 | VP02684 | TANK MEC 500 AISI 304 V/INOX C | 1,00 | | | -- |
| 0005 | MPVR28703 | VP01219 | TROLLEYSQUARE TROLLEY 202 GREY 6 | 1,00 | | | -- |

HEAD - VP02691



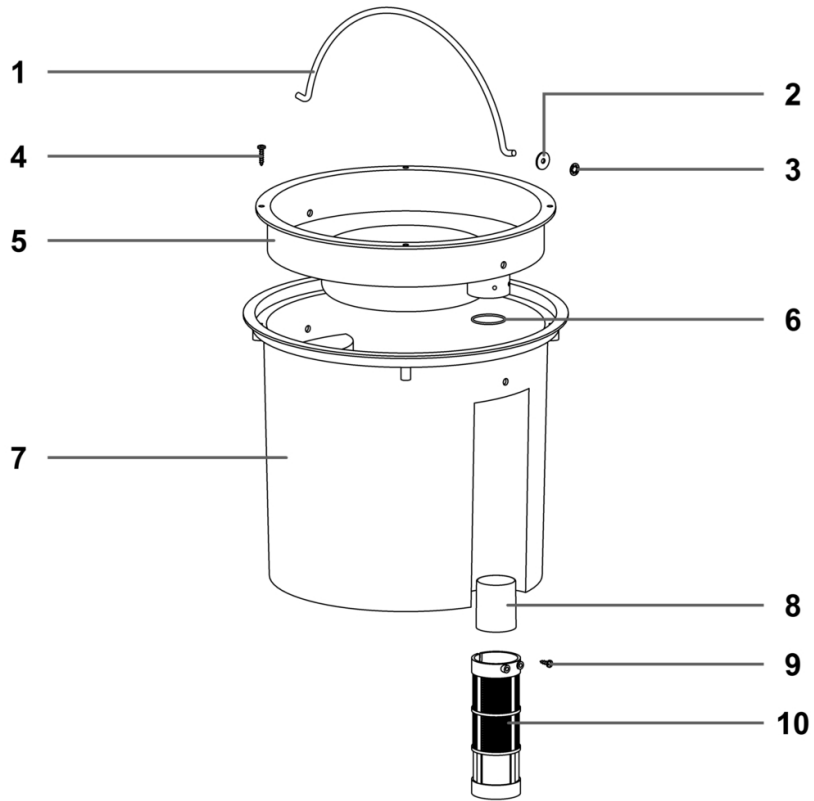
| Ref. | Part No | Kerrick Part No | Description | Quantity | Validity | | Price |
|------|-----------------|-----------------|---------------------------------|----------|----------|----|-------|
| | | | | | From | To | |
| * | NOT SHOWN ABOVE | VP02566 | 4 METRE HOSE ASSEMBLY | | | | -- |
| * | | | | | | | -- |
| * | | | | | | | -- |
| 0001 | MECB01511 | K-NSI | POWER CORD 3X1 MT.8.5 AUS | 1,00 | | | -- |
| 0002 | MEVR28673 | VP00138 | FAIRLEAD | 1,00 | | | -- |
| 0003 | MPVR28690 | VP00139 | CABLE CLAMP | 1,00 | | | -- |
| 0004 | VTVT71961 | K-NSI | SCREW PFU TMT PHL 5X20 ZN NERA | 2,00 | | | -- |
| 0005 | MPVR08725 | VP02589 | HOOK 99 GREY 6000 | 1,00 | | | -- |
| 0006 | VTVT71966 | K-NSI | SCREW PAT TMT PHL 5X30 BLACK | 4,00 | | | -- |
| 0007 | MPVR08709 | VP02588 | GREY HANDLE 99 6000 | 1,00 | | | -- |
| 0008 | VTVT71971 | K-NSI | SCREW PAT TMT PHL 5X35 BLACK | 2,00 | | | -- |
| 0009 | VTVT71971 | K-NSI | SCREW PAT TMT PHL 5X35 BLACK | 2,00 | | | -- |
| 0010 | PMVR05045 | VP02631 | TOP COVER - RED | 1,00 | | | -- |
| 0011 | MPVR06992 | VP020232 | HOOK F.CABLE AND SOCKET | 1,00 | | | -- |
| 0012 | MPVR06955 | VP07877 | BLOCK "P" NYLON | 1,00 | | | -- |
| 0013 | VTVR71992 | K-NSI | RIVET RIVET 4,8X17 | 1,00 | | | -- |
| 0014 | MECI28744 | VP00484 | ANTISPLASH RED LIGHT SWITCHER | 1,00 | | | -- |
| 0015 | MECI72268 | VP00756 | ANTISPLASH GREEN LIGHT SWITCH | 1,00 | | | -- |
| 0016 | VTVT71961 | K-NSI | SCREW PFU TMT PHL 5X20 ZN NERA | 4,00 | | | -- |
| 0017 | VTVT71971 | K-NSI | SCREW PAT TMT PHL 5X35 BLACK | 6,00 | | | -- |
| 0018 | FTDP38064 | VP03937 | FILTER MTP/65 H=15 D.95 | 1,00 | | | -- |
| 0019 | PMVR05059 | VP02738 | COVERING JOB/LAVA GR. 6000 | 1,00 | | | -- |
| 0020 | MPVR38371 | K-NSI | WASHER H8 D85X65 | 1,00 | | | -- |
| 0021 | VTVT71971 | K-NSI | SCREW PAT TMT PHL 5X35 BLACK | 6,00 | | | -- |
| 0022 | MPVR86282 | VP00310 | RING MOTORE H=7 (15) PLAST. | 1,00 | | | -- |
| 0023 | VTVT71961 | K-NSI | SCREW PFU TMT PHL 5X20 ZN NERA | 4,00 | | | -- |
| 0024 | MPVR28791 | VP020251 | MOTORFASTENER JOB/LAVA N.RED | 1,00 | | | # |
| 0025 | GUGO28683 | VP03901 | "L" GASKET W/O HOLES H=5,5 | 1,00 | | | -- |
| 0026 | MOMO00358 | VP03973S | MOTOR BD302 1000W 240-250 50/60 | 1,00 | | | -- |
| 0027 | GUGO28683 | VP03901 | "L" GASKET W/O HOLES H=5,5 | 1,00 | | | -- |
| 0028 | FTDP38067 | VP03866 | WASHER MTP 65MM 18D 230X145 | 1,00 | | | -- |
| 0029 | PMBA00530 | VP02636 | BASE JOB/LAVA W/G.W/P. GR.6 | 1,00 | | | -- |
| 0030 | VTVT01272 | K-NSI | SCREW TC CROSS M 5X45 UNI 7687 | 1,00 | | | -- |

FILTERING KIT



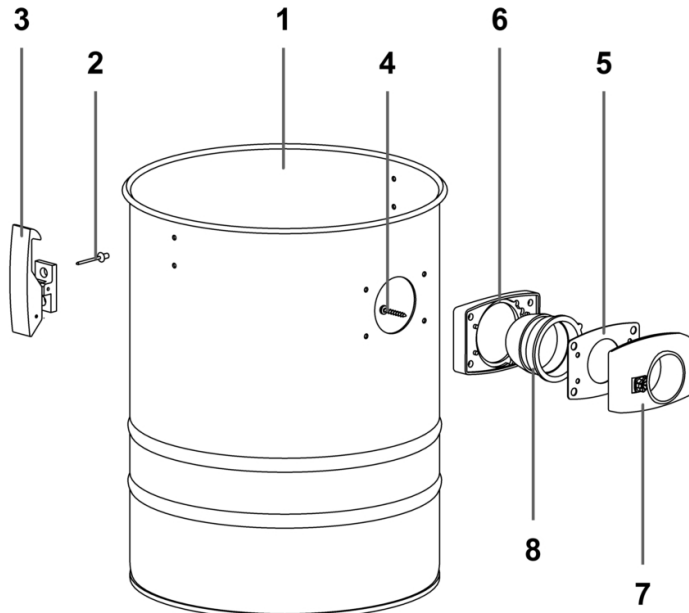
| Ref. | Part No | Kerrick Part No | Description | Quantity | Validity | | Price |
|------|-----------|-----------------|---------------------------|----------|----------|----|-------|
| | | | | | From | To | |
| A | MPVR09568 | use Ref 1 & 2 | RING 500 W/POLY.FIL.H=75 | 1,00 | | | -- |
| 0001 | MPVR36522 | VP00507 | FILTER RING 500 | 1,00 | | | -- |
| 0002 | FTDP00451 | VP00124 | FILTER POLYESTER H=75 SAN | 1,00 | | | -- |
| 0003 | MPVR35493 | VP02655 | FILTER BASKET LAVA | 1,00 | | | -- |

Clean Water Tank- VP02683



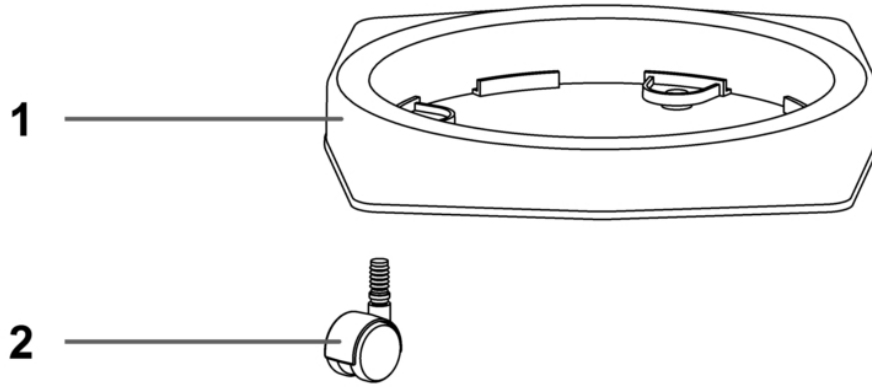
| Ref. | Part No | Kerrick Part No | Description | Quantity | Validity | | Price |
|------|-----------|-----------------|--------------------------------|----------|----------|----|-------|
| | | | | | From | To | |
| 0001 | LAFN72100 | VP02577 | INOX HANDLE SMALL BUCKET | 1,00 | | | # |
| 0002 | VTRS00403 | K-NSI | RUBBER WASHER D.18X5X1,5 | 2,00 | | | -- |
| 0003 | VTRS00415 | K-NSI | WASHER SELF-LOC. D.6 ZA6 | 2,00 | | | -- |
| 0004 | VTVT72105 | K-NSI | SCREW "TC" 4,2X19 INOX | 4,00 | | | -- |
| 0005 | MPVR72102 | VP02596 | BUCKET COVER LT.11 BLACK | 1,00 | | | # |
| 0006 | GUGO00341 | K-NSI | O-RING 2100 D.25,12X1,78 | 1,00 | | | -- |
| 0007 | MPVR72101 | VP02595 | BIG BUCKET LT.11 | 1,00 | | | # |
| 0008 | MPVR08596 | VP02580 | BLACK FLOATER NEW | 1,00 | | | -- |
| 0009 | VTVT01189 | K-NSI | SCREW AUT.TC PHL 3,9X13 STAIN. | 2,00 | | | -- |
| 0010 | MPVR08816 | VP02592 | ANTIFOAM BODY MINI D.50 | 1,00 | | | -- |

Table: TANK



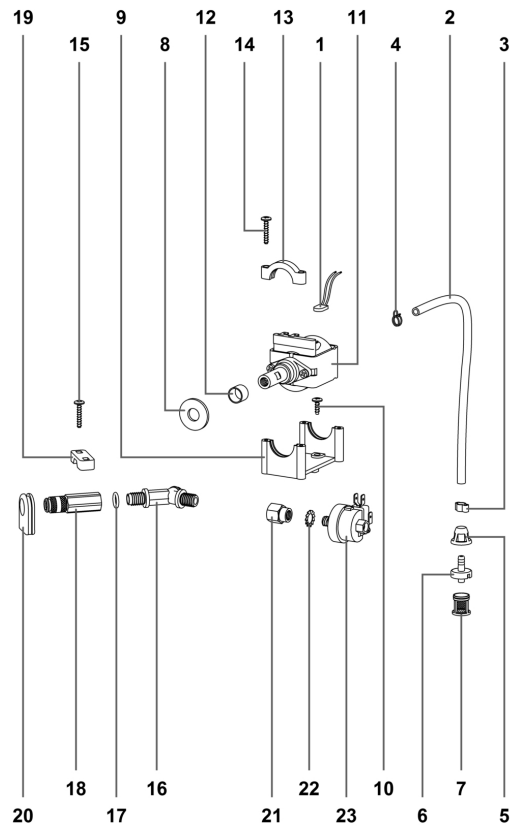
| Ref. | Part No | Kerrick Part No | Description | Quantity | Validity | | Price |
|------|-----------|-----------------|--------------------------------|----------|----------|----|-------|
| | | | | | From | To | |
| 0001 | LAFN28800 | VP02684 | TANK MEC 500 AISI 304 | 1,00 | | | -- |
| 0002 | VTVR71991 | K-NSI | RIVET 5X11 | 4,00 | | | -- |
| 0003 | PMVR02871 | VP01847 | PLASTIC HOOK COMPL. GR6000 | 2,00 | | | -- |
| 0004 | VTVT01190 | K-NSI | SCREW AUT.TC PHL 4,8X32 INOX | 4,00 | | | -- |
| 0005 | GUGO28701 | use VP02653 | GASKET D.38 | 1,00 | | | -- |
| 0006 | MPVR08681 | use VP02653 | GASKET R 205 GREY 6000 | 1,00 | | | -- |
| 0007 | MPVR09002 | use VP02653 | PIPE UNION R155 G6000 C/PUL.RN | 1,00 | | | -- |
| 0008 | MPVR28696 | use VP02653 | DEFLECTOR 99 | 1,00 | | | -- |

TROLLEY - VP01219



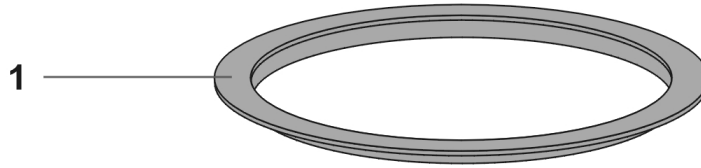
| Ref. | Part No | Kerrick Part No | Description | Quantity | Validity | | Price |
|------|-----------|-----------------|--|----------|----------|----|-------|
| | | | | | From | To | |
| 0001 | MPVR07923 | use VP01219 | TROLLEY BODY SQUARED BODY TROLLEY GREY | 1,00 | | | -- |
| 0002 | RTRT42006 | VP021001 | TROLLEY BOX WHEEL | 4,00 | | | -- |

PUMP GROUP



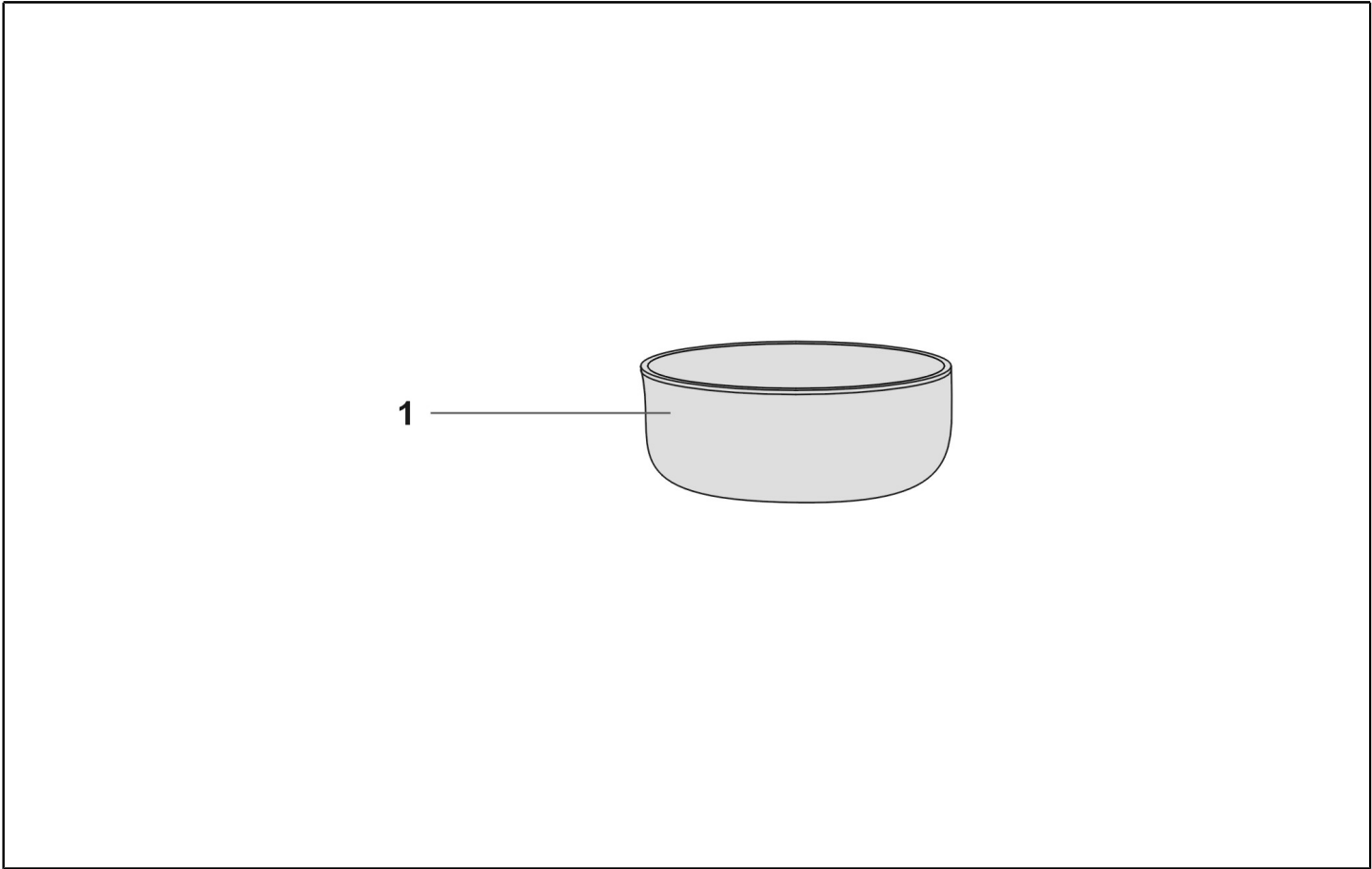
| Ref. | Part No | Kerrick Part No | Description | Quantity | Validity | | Price |
|------|-----------|-----------------|----------------------------------|----------|------------|------------|-------|
| | | | | | From | To | |
| 0001 | METK42457 | use VP03037 | THERMAL PROTECTION | 1,00 | | 22/02/2021 | # |
| 0001 | METK00058 | VP03037 | THERMAL PROTEC. 220-240V CABLATO | 1,00 | 23/02/2021 | | -- |
| 0002 | TBBP72261 | VP00723 | HYDROLITIC HOSE 8x5 PER METER | 0,70 | | | -- |
| 0003 | FSVR72112 | VP02660 | STRICK CLIP 7-9 | 1,00 | | | -- |
| 0004 | FSVR72111 | VP02659 | CLIP 9,3-9,9 | 1,00 | | | -- |
| 0005 | RCDS72165 | VP03036 | DIP LOCKING FILTER | 1,00 | | | -- |
| 0006 | MPVR06607 | VP02687 | HOSE FITTING DRAFT FILTER | 1,00 | | | -- |
| 0007 | FTAC00050 | VP02688 | DRAFT FILTER | 1,00 | | | -- |
| 0008 | GUGO28799 | VP02571 | RUBBER WASHER D.32X13X3 | 2,00 | | | -- |
| 0009 | LAFN28798 | VP02603 | "U" PUMP SUPPORT | 1,00 | | | -- |
| 0010 | VTVT71960 | K-NSI | SCREW SCREW PAT TMT PHL 5X14 ZN | 2,00 | | | -- |
| 0011 | MEPD00005 | VP00758 | PUMP "U" 240V 50HZ | 1,00 | | | -- |
| 0012 | LAFN86519 | VP06118 | METAL BUSH 16X12 | 1,00 | | | -- |
| 0013 | LAFN28797 | VP02602 | "U" PUMP BRACKET | 2,00 | | | -- |
| 0014 | VTVT72055 | K-NSI | SCREW PFU TMT PHL 5X25 ZN BLACK | 4,00 | | | -- |
| 0015 | VTVT72055 | K-NSI | SCREW PFU TMT PHL 5X25 ZN BLACK | 2,00 | | | -- |
| 0016 | RCVR01080 | VP03096 | PLAST."Y" COUPLING 2 WAYS | 1,00 | | | -- |
| 0017 | GUGO72029 | VP01610 | O RING 9 | 1,00 | | | -- |
| 0018 | RCIN38910 | VP03689 | QUICK SOCKET 1/4"F | 1,00 | | | -- |
| 0019 | MPVR28794 | K-NSI | FIXING BOLT CONN. | 1,00 | | | -- |
| 0020 | MEVR86518 | VP06082 | GUIDING SLIT LAVA | 1,00 | | | -- |
| 0021 | RCVR72251 | K-NSI | NIPPLE 1/4" F. 1/8" F. | 1,00 | | | -- |
| 0022 | VTRS00168 | K-NSI | TOOTHED WASHER M10 UNI 8842 | 1,00 | | | -- |
| 0023 | MEPF72220 | VP03919 | PRESSURE SWITCH GP110 | 1,00 | | | -- |

Cloth Filter Ring - VP00507



| Ref. | Part No | Kerrick Part No | Description | Quantity | Validity | | Price |
|------|-----------|-----------------|-----------------|----------|----------|----|-------|
| | | | | | From | To | |
| 0001 | MPVR36522 | VP00507 | FILTER RING 500 | 1,00 | | | -- |
| | | | | | | | -- |

CLOTH FILTER - VP00124

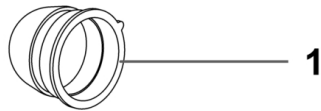


| Ref. | Part No | Kerrick Part No | Description | Quantity | Validity | | Price |
|------|-----------|-----------------|---------------------------|----------|----------|----|-------|
| | | | | | From | To | |
| 0001 | FTDP00451 | VP00124 | FILTER POLYESTER H=75 SAN | 1,00 | | | -- |
| 0001 | | | | | | | -- |

TROLLEY CASTOR WHEEL - VP021002



| Ref. | Part No | Kerrick Part No | Description | Quantity | Validity | | Price |
|------|-----------|-----------------|-------------------|----------|----------|----|-------|
| | | | | | From | To | |
| 0001 | RTRT42006 | VP021002 | TROLLEY BOX WHEEL | 1,00 | | | -- |
| | | | | | | | -- |



| Ref. K | Part N. | Kerrick Part No | Description | Quantity | Validity | | Price |
|--------|-----------|-----------------|--------------|----------|----------|----|-------|
| | | | | | From | To | |
| 0001 | MPVR28696 | Use VP02653 | DEFLECTOR 99 | 1,00 | | | -- |
| | | | | | | | -- |