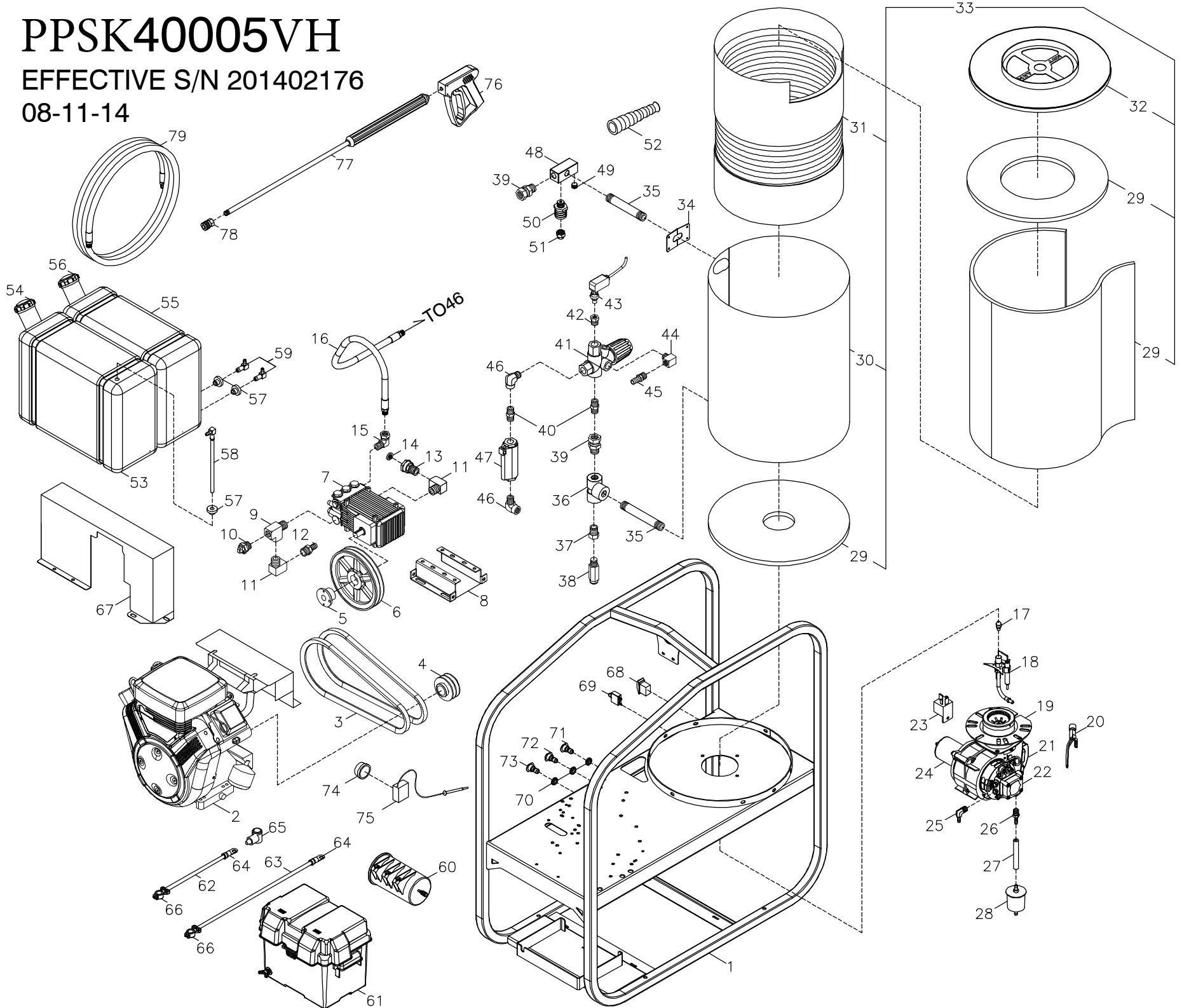


# PPSK40005VH

EFFECTIVE S/N 201402176

08-11-14



**PPSK40005VH PARTS LIST**

**S/N201402176**

**Only parts available are those with the PP prefix. Others special order from supplier.**

1	HSK00	FRAME SK POWDER COATED		45	D8068	HOSE BARB 1/2H x 3/8P BRASS*
2	MS180	ENGINE GAS 570cc VANGUARD E/S		46	DC568	STREET ELL 3/8 STEEL FORGED ON
3	KSB28	BELT BX28		47	VS005	FLOW SWITCH 8 @ 5070 ST5
4	KU030	SHEAVE 2BK 32 X 1"		48	HHA10	OUTLET BLOCK 1.5 x 1.5
5	KSH19	BUSHING H24MM		49	D1061	PLUG 3/8 FLUSH HEAD HEX
6	KU080	SHEAVE 2BK80H		50	UPB05	ADAPTER FITTING -BURST DISC***
7	PH475	PUMP 4.75 @4000 24MM AR PUMP				
8	HPR10	PUMP ANGLE RAIL AR 4000 10GA ZINC PLATED		51	UPB80	BURST DISC 8000psi TORQUE 32-4
9	D6588	STREET TEE 1/2" BRASS		52	ECH75	HEAVY DUTY BEND RESTRICTOR - B
10	UPT46	THERM DUMP VALVE 145F 1/2MPT		53	WT07R	FUEL TANK 7.5 GAS RED
				54	WT08G	GAS CAP NONVENTED RATCHET CARB APPROVED
11	D5588	STREET ELL 1/2" BRASS*		55	WT075	FUEL TANK 7.5 DIESEL CLEAR*
12	D8088	HOSE BARB 1/2" BRASS		56	WT08D	LARGE DIESEL CAP, VENTED, W/ RATCHET
13	D008M	GARDEN HOSE ADAPTER 1/2 NPT MALE		57	DFF04	FUEL TANK BUSHING 1/4"
14	D0021	SCREEN WASHER GARDEN H A		58	DF599	FUEL TANK ADAPTER W/PLASTIC TUBE
15	DE866	SWIVEL 3/8F x 3/8M 90 BRAZED!!		59	DFE04	FUEL TANK ELL 1/4"
16	DH200	HOSE 3/8" x 20in 5000 PSI		60	MC100	CARBON CANISTER KIT GAS ENGINE
17	BZ255	FUEL NOZZLE 2.50 80A				
18	BME10	BURNER ELECTRODE BECKETT- PAIR		61	HB150	SNAP ON BATTERY BOX ASSEMBLY
19	BU013	BURNER; BECKET 12V W/SUPPORT		62	EW604	BATTERY CABLE #4 RED
20	BMC20	CAD EYE CELL FOR BURNER CONTROL		63	EW605	BATTERY CABLE #4 BLACK
				64	ET320	TERMINAL BATTERY #4 YELLOW
21	BMT12	IGNITOR, 12V POWER LIGHT W/ MOUNTING BRACKET		65	ES250	PROTECTIVE BOOT; RED
22	BPA15	FUEL PUMP W/SOLENOID		66	ET500	BATTERY POST TERMINAL
23	ECC05	RELAY; BURNER; 12V 70 AMP		67	HSK21	BELT GUARD- SK VANGUARD VEE BELT DRV
24	PP BM514	BURNER MOTOR 12V BECKETT		68	EC405	ROCKER SWITCH CLR 12V 20A DPST
25	D8040	HOSE BARB; 1/4" 90 ELBOW*		69	ECF15	CIRCUIT BREAKER 20 AMP*
26	D8044	HOSE BARB; 1/4" BRASS .312 t		70	HLB09	GROMMET NOZZLE HOLDER
27	DHP08	HOSE; 1/4" FUEL 50PSI FLEXIBLE				
28	BF015	FUEL FILTER; INLINE		71	NQ452	NOZZLE/QDC 045 x 15
29	PP BN053	INSULATION BLANKET DISC EXHAUST END		72	NQ454	NOZZLE/QDC 045 x 40
30	B2349	COIL WRAP SK/SR/ST40004		73	NQ403	NOZZLE/QDC 04 x 25
				74	ECH72	KNOB; RED .25 x 1.50D
31	PP BC480	COIL; 4PK SCH 80 18"		75	ECH50	THERMOSTAT; 60-250 70" CAP
32	B0030	COIL CAP 18" VERT. FLAT		76	VG200	TRIGGER GUN INSULATED 5000PSI
33	BC48V	COIL ASM 4PK 18in SCH 80		77	VW045	WAND 1/4" x 48" MOLDED GRIP
34	PPB2324	COIL NIPPLE RETAINER 1/2in		78	DQ04S	COUPLER 1/4" SOCK FEMALE
35	BC865	BURNER NIPPLE 1/2" x 6 1/2" SCH80		79	DH057	HOSE 3/8 x 50' 4000 PSI
36	DE088	TEE 1/2 STEEL A105 FORGED				
37	DA086	BUSHING 1/2 x 3/8 STEEL		<u>SERVICE PARTS NOT SHOWN</u>		
38	UP045	PRESSURE RELIEF 4500+15% 500q			ESK06	12V WIRE HARNESS
39	DE568	SWIVEL 3/8F x 1/2M STEEL			MS183	AIR FILTER VANGUARD
40	DB506	NIPPLE 3/8 STEEL			MS185	OIL FILTER VANGUARD
					AR1855	OIL SEAL KIT XRA (N) RKA (N)
41	UU323	UNLOADER 4350PSI 8GPM AR			AR1887	WATER SEAL KIT 20mm XRC; XRCA
42	DA064	BUSHING 3/8 X 1/4 STEEL			PHK40	VALVE KIT
43	VS030	PRESSURE SWITCH 4000 1/4" PR16			AR2547	PISTON KIT 20mm RK; RKA
44	D5566	STREET ELL 3/8 BRASS				