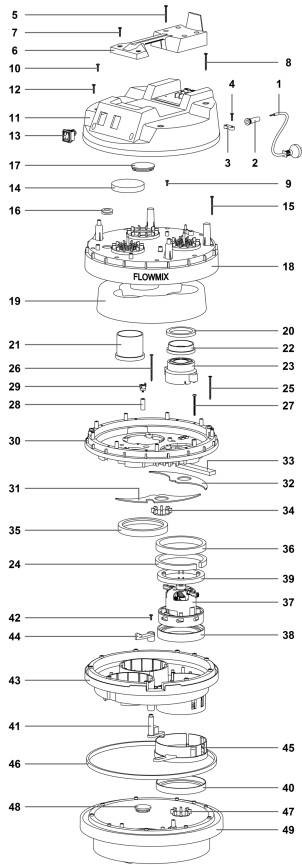


## **Spare Parts List**

VH SV INDUSTRIAL

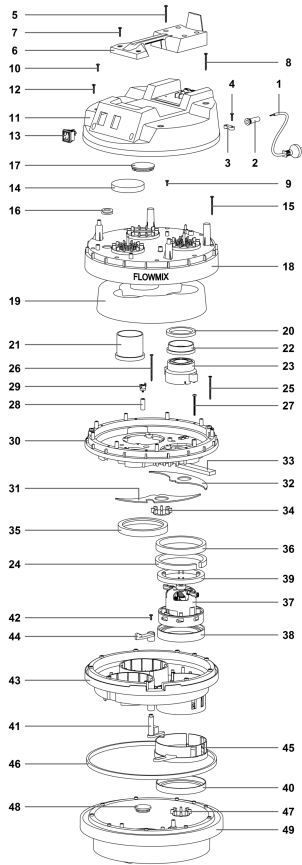


Ref.	Part No	Kerrick Part No	Description	Quantity	Validity		Price
					From	To	
#	PMQE00307	TBA	ELECTRIC KIT 600 TP 2MOT RAD	1,00			--
#	MECB01817	TBA	WIRING 50CM MOTOR-TP	2,00			--
#	MECB35712	TBA	WIRE WITH RESISTANCE	1,00			--
#	FSVR00127	TBA	CLAMP	3,00			--
0001	MECB01798	K-NSI	POWER CORD 2X1,5 MT.8,5 AUS 3PIN	1,00		27/10/2021	--
0001	MECB01492	K-NSI	POWER CORD 2X1 MT.8,5 AUS	1,00	28/10/2021		--
0002	MEVR28673	VP00138	FAIRLEAD	1,00			--
0003	MPVR28690	VP00139	CABLE CLAMP	1,00			--
0004	VTVT71961	K-NSI	SCREW PFU TMT PHL 5X20 ZN NERA	2,00			--
0005	VTVT32295	K-NSI	SCREW PAT TMT PHL 5X50	4,00			--
0006	MPVR10062	VP06097AZ	L.BLUE HANDLE PANDA 600	1,00			--
0007	VTVT72055	K-NSI	SCREW PFU TMT PHL 5X25 ZN BLACK	2,00			--
0008	VTVT32295	K-NSI	SCREW PAT TMT PHL 5X50	2,00			--
0009	VTVT71960	K-NSI	SCREW SCREW PAT TMT PHL 5X14 ZN	2,00			--
0010	VTVT71961	K-NSI	SCREW PFU TMT PHL 5X20 ZN NERA	2,00			--
0011	PMVR05949	VP06098	TOP COVER BLUE	1,00			--
0012	VTVT72055	K-NSI	SCREW PFU TMT PHL 5X25 ZN BLACK	2,00			--
0013	MECI28744	VP00484	ANTISPLASH RED LIGHT SWITCHER	2,00			--
0014	FTDP38064	VP03937	FILTER MTP/65 H=15 D.95	2,00			--
0015	VTVT40007	K-NSI	SCREW PAT TMT PHL 5X55 BLACK	9,00			--
0016	MEVR72017	VP01502	GUIDING SLIT FOR QUICK COUPLING	1,00			--
0017	MPVR38053	VP03383	COVERING CAP	1,00			--
0018	MPVR08504	VPMPVR08504	L.BLUE COVER 600	1,00			--
0019	# FTDP00640	VP020782	INSULATOR ANTINOISE 400/600 D320X65	1,00			--
0020	MPVR38371	VP03969	WASHER H8 D85X65	2,00			--
0021	# MPVR07267	VP020742	SPACER SERIES AND PARALLEL H.70	1,00			--
0022	MPVR86282	VP00310	RING MOTORE H=7 (15) PLAST.	1,00			--
0023	# MPVR08115	VP020325	CAP /ADAPTER F/MOT.BYPASS AU	2,00			--
0024	ITSO00094	VP020844	INSULATOR ANTI-NOISE 440X15X10	1,00			--
0025	VTVT01215	K-NSI	SCREW CROSS TS 5X70	12,00			--
0026	VTVT01255	K-NSI	SCREW CROSS TS 5X80 ZN.	1,00			--
0027	VTVT01243	K-NSI	SCREW CROSS TC M 5X60 UNI 7687	1,00			--
0028	# MEVR41831	VP06241	THERM. PROBE	1,00			--
0029	# METK41830	VP06235	THERMOREGULATOR T MAX 85 C	1,00			--
0030	MPVR08328	VP02937	MOTOR SUPPORT HS 600 GREY 6000	1,00			--
0031	# MPVR07274	VP020831	MUFFLER DEVICE ON LEVER SIDE	1,00			--
0032	# MPVR07275	VP020845	MUFFLER DEVICE	2,00			--
0033	# ITSO00093	VP020843	INSULATOR ANTI-NOISE 140X25X10	3,00			--
0034	MPVR28748	VP00468	AUTOMATIC VALVE	3,00			--
0035	GUGO28683	VP03901	"L" GASKET W/O HOLES H=5,5	2,00			--
0036	# ITSO00095	VP021037	INSULAT.FILTER AU 146X126X18 PPI45	1,00			--
0037	MOMO00408	VP020870	MOTOR BS282 WL 1000W 240-250 5	2,00		27/10/2021	--
0037	# MOMO00402	TBA	MOTOR BS282 WL 1000W 220-240	2,00	28/10/2021		--
0038	# GUVR00412	VP020360	"L" GASKET D.130 H=13	2,00			--

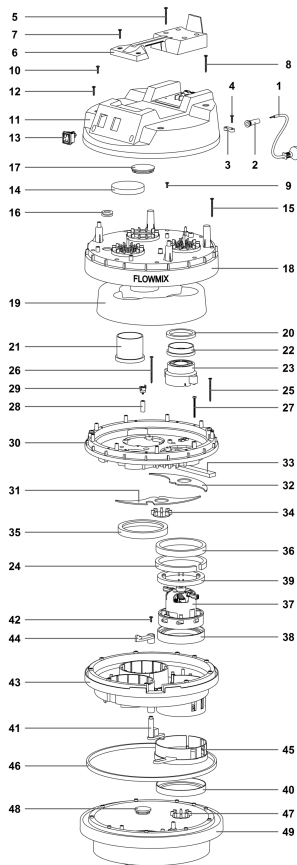
K-NSI Parts not stocked by Kerrick. Maybe available from your local hardware store.

# Part requires special order from supplier

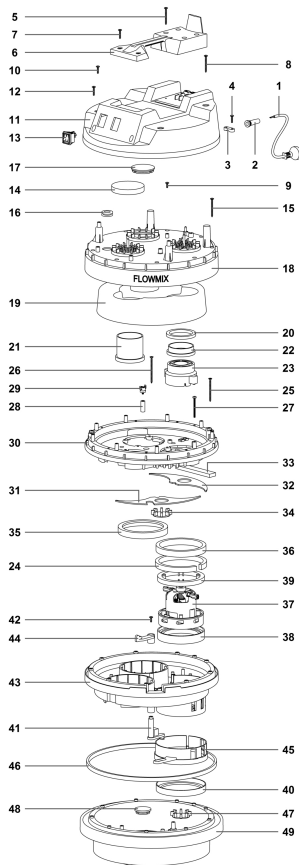
# HEAD - VP PMTA01311



Ref.	Part No	Kerrick Part No	Description	Quantity	Validity		Price
					From	To	
0039	# GUVR00413	VP020361	"C" GASKET D.130	2,00			--
0040	GUGO28683	VP03901	"L" GASKET W/O HOLES H=5,5	1,00			--
0041	# MPVR07262	VP020687	LEVER FOR GATE VALVE	1,00			--
0042	VTVT71960	K-NSI	SCREW PAT TMT PHL 5X14 ZN	1,00			--
0043	# MPVR08183	VP020631G6	MOTOR FASTENER FLOW MIX 2 MOT G6	1,00			--
0044	MPVR07264	VP020688	COMPOUND LEVER FOR GATE VALVE	1,00			--
0045	# MPVR07261	VP020686	GATE VALVE	1,00			--
0046	# GUVR00427	VP020842	GASKET 6X12 DIA 380	1,00			--
0047	MPVR28748	VP00468	AUTOMATIC VALVE	2,00			--
0048	MPVR38058	VP03519	BASE CAP	1,00			--
0049	MPVR02262	VP03108	BASE 600/400 W/GASK.W/PLATE GR6	1,00			--

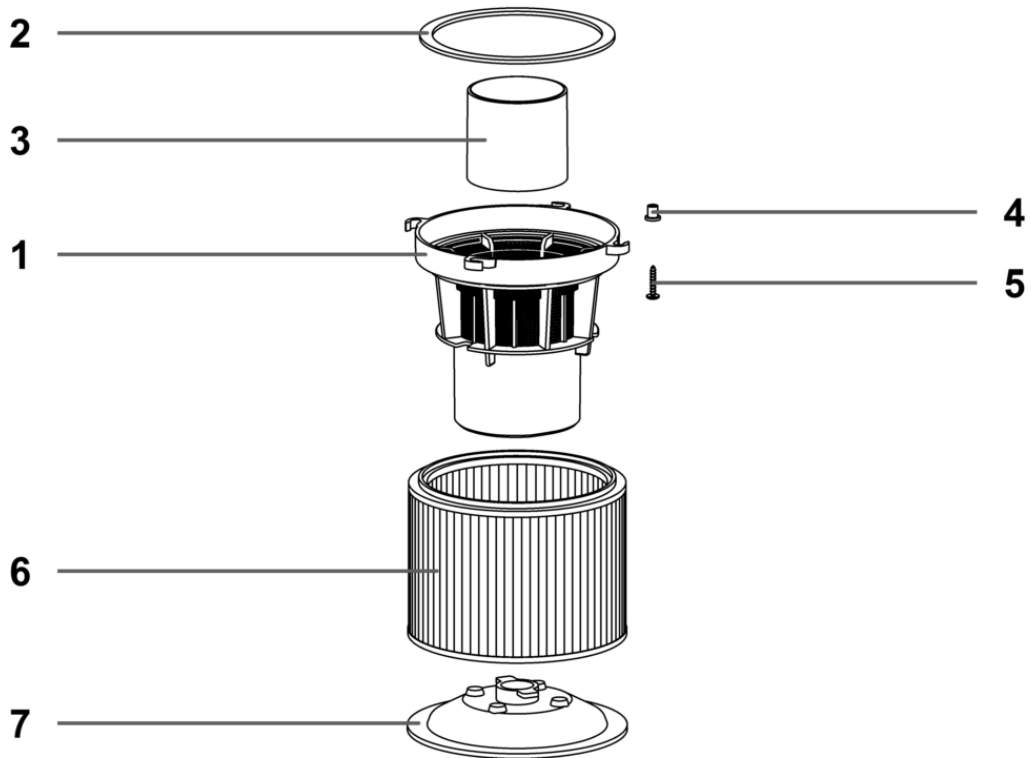


Ref. K	Part N.	Part N. 2	Description	Quantity	Validity		Price
					From	To	
*	PMQE00307	N/A	ELECTRIC KIT 600 TP 2MOT RAD	1,00			--
*	MECB01817	N/A	WIRING 50CM MOTOR-TP	2,00			--
*	MECB35712	N/A	WIRE WITH RESISTANCE	1,00			--
*	FSVR00127	N/A	CLAMP	3,00			--
0001	MECB01798	N/A	POWER CORD 2X1,5 MT.8,5 AUS 3PIN	1,00		28/10/2021	--
0001	MECB01492	N/A	POWER CORD 2X1 MT.8,5 AUS	1,00	29/10/2021		--
0002	MEVR28673	N/A	FAIRLEAD	1,00			--
0003	MPVR28690	N/A	CABLE CLAMP	1,00			--
0004	VTVT71961	N/A	SCREW PFU TMT PHL 5X20 ZN NERA	2,00			--
0005	VTVT32295	N/A	SCREW PAT TMT PHL 5X50	4,00			--
0006	MPVR10062	N/A	L.BLUE HANDLE PANDA 600	1,00			--
0007	VTVT72055	N/A	SCREW PFU TMT PHL 5X25 ZN BLACK	2,00			--
0008	VTVT32295	N/A	SCREW PAT TMT PHL 5X50	2,00			--
0009	VTVT71960	N/A	SCREW SCREW PAT TMT PHL 5X14 ZN	2,00			--
0010	VTVT71961	N/A	SCREW PFU TMT PHL 5X20 ZN NERA	2,00			--
0011	PMVR05949	N/A	COVER PANDA 600 2M GR 6000	1,00			--
0012	VTVT72055	N/A	SCREW PFU TMT PHL 5X25 ZN BLACK	2,00			--
0013	MECI28744	N/A	ANTISPLASH RED LIGHT SWITCHER	2,00			--
0014	FTDP38064	N/A	FILTER MTP/65 H=15 D.95	2,00			--
0015	VTVT40007	N/A	SCREW PAT TMT PHL 5X55 BLACK	9,00			--
0016	MEVR72017	N/A	GUIDING SLIT FOR QUICK COUPLING	1,00			--
0017	MPVR38053	N/A	COVERING CAP	1,00			--
0018	MPVR08504	N/A	L.BLUE COVER 600	1,00			--
0019	FTDP00640	N/A	INSULATOR ANTINOISE 400/600 D320X65	1,00			--
0020	MPVR38371	N/A	WASHER H8 D85X65	2,00			--
0021	MPVR07267	N/A	SPACER SERIES AND PARALLEL H.70	1,00			--
0022	MPVR86282	N/A	RING MOTORE H=7 (15) PLAST.	1,00			--
0023	MPVR08115	N/A	CAP /ADAPTER F/MOT.BYPASS AU	2,00			--
0024	ITSO00094	N/A	INSULATOR ANTI-NOISE 440X15X10	1,00			--
0025	VTVT01215	N/A	SCREW CROSS TS 5X70	12,00			--
0026	VTVT01255	N/A	SCREW CROSS TS 5X80 ZN.	1,00			--
0027	VTVT01243	N/A	SCREW CROSS TC M 5X60 UNI 7687	1,00			--
0028	MEVR41831	N/A	THERM. PROBE	1,00			--
0029	METK41830	N/A	THERMOREGULATOR T MAX 85 C	1,00			--
0030	MPVR08328	N/A	MOTOR SUPPORT HS 600 GREY 6000	1,00			--
0031	MPVR07274	N/A	MUFFLER DEVICE ON LEVER SIDE	1,00			--
0032	MPVR07275	N/A	MUFFLER DEVICE	2,00			--
0033	ITSO00093	N/A	INSULATOR ANTI-NOISE 140X25X10	3,00			--
0034	MPVR28748	N/A	AUTOMATIC VALVE	3,00			--
0035	GUGO28683	N/A	"L" GASKET W/O HOLES H=5,5	2,00			--
0036	ITSO00095	N/A	INSULAT.FILTER AU 146X126X18 PPI45	1,00			--
0037	MOMO00402	N/A	MOTOR BS282 WL 1000W 220-240	2,00			--
0038	GUVR00412	N/A	"L" GASKET D.130 H=13	2,00			--
0039	GUVR00413	N/A	"C" GASKET D.130	2,00			--



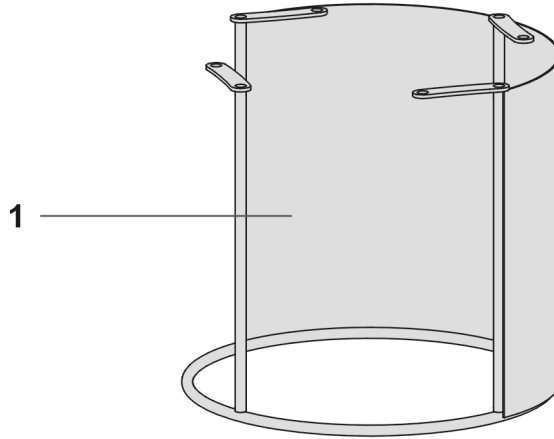
Ref. K	Part N.	Part N. 2	Description	Quantity	Validity		Price
					From	To	
0040	GUGO28683	N/A	"L" GASKET W/O HOLES H=5,5	1,00			--
0041	MPVR07262	N/A	LEVER LEVER FOR GATE VALVE	1,00			--
0042	VTVT71960	N/A	SCREW SCREW PAT TMT PHL 5X14 ZN	1,00			--
0043	MPVR08183	N/A	MOTOR FASTENER FLOW MIX 2 MOT G6	1,00			--
0044	MPVR07264	N/A	COMPOUND LEVER FOR GATE VALVE	1,00			--
0045	MPVR07261	N/A	GATE VALVE	1,00			--
0046	GUVR00427	N/A	GASKET 6X12 DIA 380	1,00			--
0047	MPVR28748	N/A	AUTOMATIC VALVE	2,00			--
0048	MPVR38058	N/A	BASE CAP	1,00			--
0049	MPVR02262	N/A	BASE 600/400 W/GASK.W/PLATE GR6	1,00			--

# FILTERING KIT



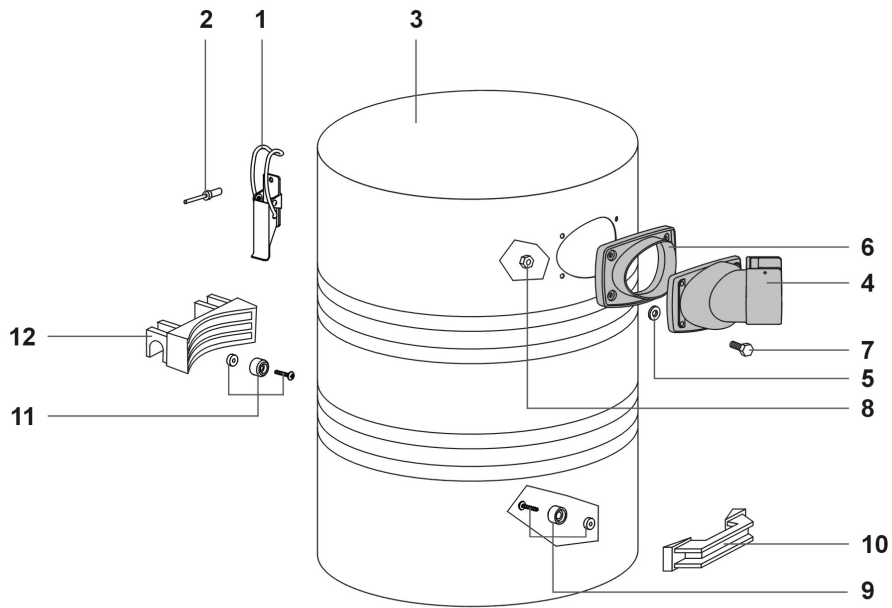
Ref.	Part No	Kerrick Part No	Description	Quantity	Validity		Price
					From	To	
0001	MPVR40521	VP02823	NET ANTIFOAM BODY HIGH	1,00			--
0002	# GUVR40078	TBA	GASKET H3 DS50 W/ANTI-FOAM BODY	1,00			--
0003	RCGR40008	VP02676	HIGH FLOAT 99 W/GASKET 37 SHA	1,00			--
0004	MPVR35796	VP03706	BUSHING PLASTIC SLEEVE D.8	4,00			--
0005	VTVT36751	K-NSI	SCREW SCREW PAT TMT PHL 5X25	4,00			--
0006	FTDP44260	VP FTDP44260	POLYESTER CARTRIDGE 175X145X163 (VP06061	1,00			--
0007	MPVR28723	VP02855	COMPL.RING FOR FILTER	1,00			--

Cartridge Protector - VP LAFN09609



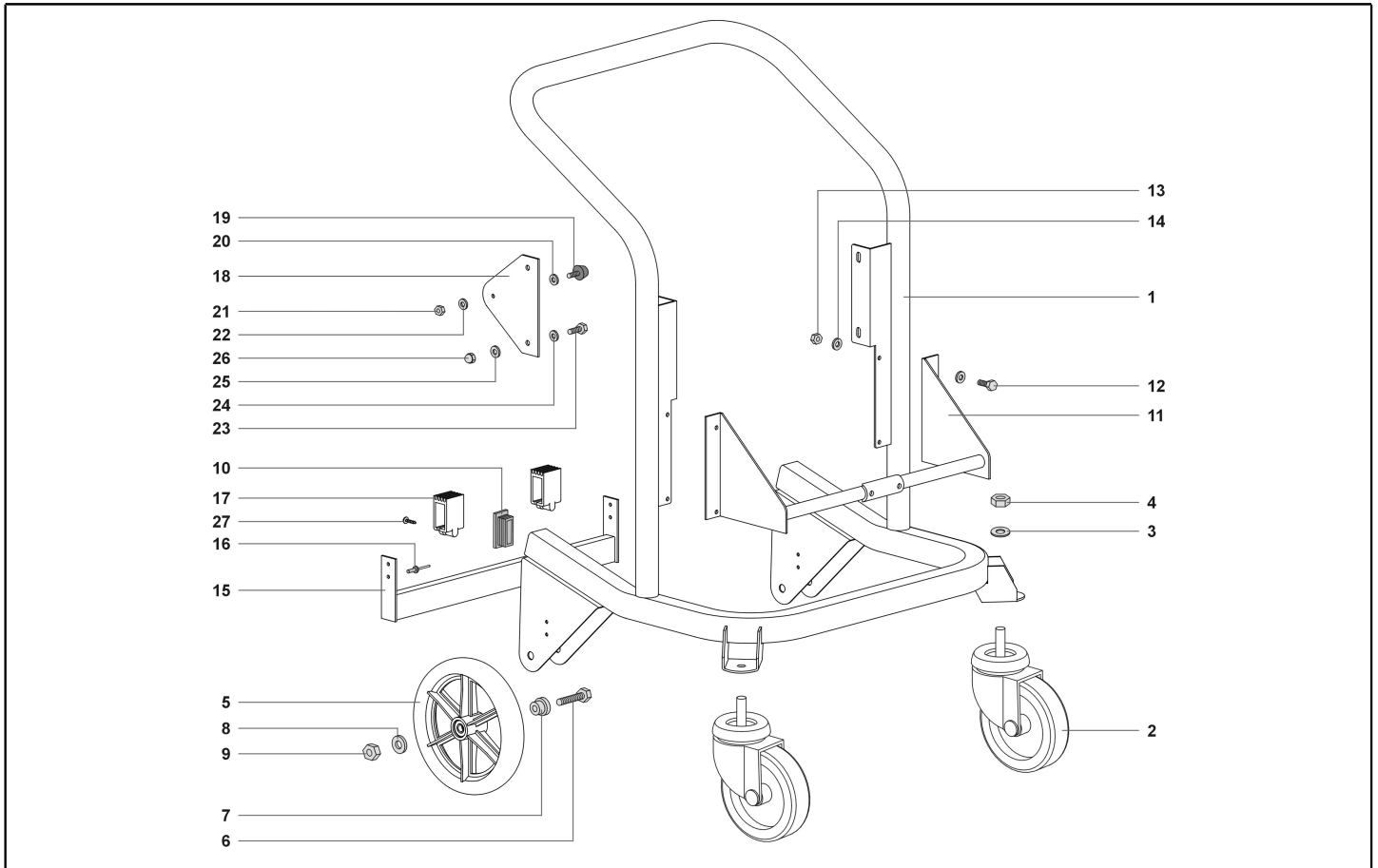
Ref.	Part No	Kerrick Part No	Description	Quantity	Validity		Price
					From	To	
0001	LAFN09609	VP LAFN09609	PROTECTION CARTRIDGE SKYVAC	1,00			--

TANK - VP PMFU00677 #



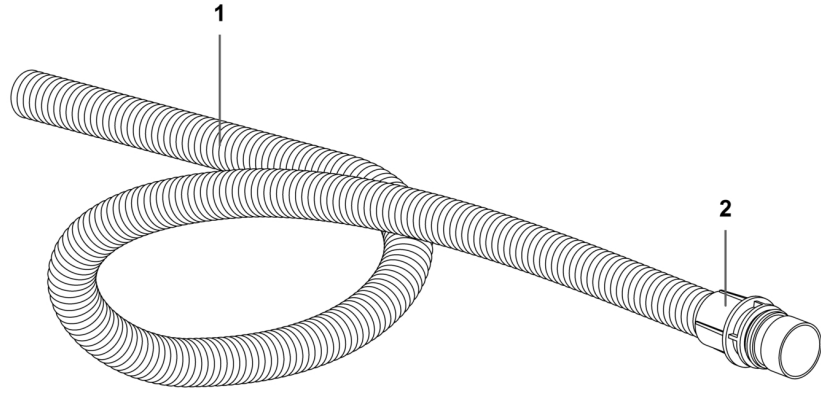
Ref.	Part No	Kerrick Part No	Description	Quantity	Validity		Price
					From	To	
0001	# CHVR40000	VP07390	UNIVERSAL METAL HOOK	3,00			--
0002	VTVR71991	K-NSI	RIVET 5X11	6,00			--
0003	# LAFN09901	VP021615	TANK 400 BASC.H=685 SP08 A430	1,00			--
0004	# MFVR00281	VP030182	PIPE UNION D60 TANG. ALL. COMP.	1,00			--
0005	VTRS00447	K-NSI	WASHER PVC 60SH D13.5X4.5 H=3	4,00			--
0006	# MPVR07323	VP021647	GASKET BOCCH. TANGENZIALE R205	1,00			--
0007	VTVT01286	K-NSI	SCREW TE M 5X25 UNI5739 Z.B.	4,00			--
0008	VTDD71969	K-NSI	NUT NUT M 5	4,00			--
0009	RIGE00015	K-NSI	COMPLETE SEAL W/SCREW L=25	2,00			--
0010	MPVR09429	VP02993	HANDLE GREY 6000	1,00			--
0011	RIGE00015	K-NSI	COMPLETE SEAL W/SCREW L=25	4,00			--
0012	MPVR06993	VP020233	HINGE GROUP BASC COMP	1,00			--

# TROLLEY - VP CARR01819 #



Ref.	Part No	Kerrick Part No	Description	Quantity	Validity		Price
					From	To	
0001	# LAFN11453	VP030156	FRAME OPTIM 600 SMALL VERNIC.	1,00			--
0002	# RTRT00455	VP03896	WHEEL DIA.150 M12X35	2,00			--
0003	VTRS00394	K-NSI	WASHER M 12 UNI 6592	2,00			--
0004	VTDD72060	K-NSI	LOW SELF-LOCKING NUT M 12	2,00			--
0005	# RTRT00480	VP030157	WHEEL PU DIA.245X50	2,00			--
0006	VTVT01414	K-NSI	SCREW TE M12X75 UNI 5737 8.8 Z	2,00			--
0007	PVVR00381	K-NSI	SPACER RUOTA D.245 OPT SMALL	2,00			--
0008	VTRS00394	K-NSI	WASHER M 12 UNI 6592	4,00			--
0009	# VTDD72060	VP02052	LOW SELF-LOCKING NUT M 12	2,00			--
0010	# MPVR06895	VP06835	PLASTIC TOP 40X40	2,00			--
0011	# LAFN11451	VP030158	HINGE AXIS VERNICIATO	1,00			--
0012	VTVT01019	K-NSI	SCREW TE M 6X16 UNI 5739	4,00			--
0013	VTDD00222	K-NSI	NUT M 6 UNI 5588	4,00			--
0014	VTRS00400	K-NSI	WASHER M 6 UNI 6592	8,00			--
0015	# LAFN11454	TBA	CARRYNG BAG FUSTO BASC. OPTIM SMALL V	1,00			--
0016	VTVR00395	K-NSI	RIVET 4,8X15 INOX	4,00			--
0017	# MPVR06691	VP03450	FOOT TIPPING BEARING	2,00			--
0018	# LAFN11452	VP030160	PLATE PIEDINO VERNICIATA	2,00			--
0019	# ABGO00062	VP03306	BUMPER H=17 M6X15	2,00			--
0020	VTRS00389	K-NSI	CRICKET M 6X18X1,5 UNI 6593	2,00			--
0021	VTDD00230	K-NSI	SELF-LOCJ.NUT M 6 SMALL UNI 7474	2,00			--
0022	VTRS00400	K-NSI	WASHER M 6 UNI 6592	2,00			--
0023	VTVT01392	K-NSI	SCREW TBEI 8X16 UNI 7380 INOX	4,00			--
0024	VTVR71963	K-NSI	WASHER 8X24	4,00			--
0025	VTRS00396	K-NSI	WASHER M 8 UNI 6592	4,00			--
0026	VTDD00214	K-NSI	NUT M 8 UNI 5721	4,00			--
0027	VTVT72055	K-NSI	SCREW PFU TMT PHL 5X25 ZN BLACK	2,00			--

# FLEXIBLE VACUUM HOSE



Ref.	Part No	Kerrick Part No	Description	Quantity	Validity		Price
					From	To	
0001	TBFX00586	VPH050	FLEX HOSE 58 G55 X METER (Sold per metre)	6,00			--
0002	MPVR41815	VP02773	COUPLING 99 FOR FLEX HOSE D.58/D.60	1,00			--

Complete Camera System -VP KTRI04651





Ref.	Part No	Kerrick Part No	Description	Quantity	Validity		Price
					From	To	
0001	KTRI04651	VP KTRI04651		1.00			--










skyVac



List of accessories supplied with the packages and extras

			KSVINT6	KSVINT9	KSVINT12	KSVCOM6	KSVCOM9	KSVCOM12	KSVIND6	KSVIND9	KSVIND12
Recordable Camera System SVACS1	VP KSRI04651					1	1	1	1	1	1
Pole (1.5 Metre Section SVAC2S)	VP KSRI04663		4	6	8	4	6	8	4	6	8

**List of accessories supplied with the packages and extras**

			KSVINT6	KSVINT9	KSVINT12	KSVCOM6	KSVCOM9	KSVCOM12	KSVIND6	KSVIND9	KSVIND12
<b>Flexi Neck - 135 Degree SVACS3</b>	<b>VP KSRI04664</b>					1	1	1	1	1	1
<b>Flexi Neck - 180 Degree SVACS4</b>	<b>VP KSRI04665</b>					1	1	1	1	1	1
<b>Aluminium Tool End SVACS5</b>	<b>VP KSRI04666</b>					1	1	1	1	1	1
<b>Duck Bill Tool SVACS6</b>	<b>VP KSRI04667</b>					1	1	1	1	1	1
<b>Reducer Tool SVACS7</b>	<b>VP KSRI04668</b>					1	1	1	1	1	1
<b>Daily Tool SVACS8</b>	<b>VP KSRI04669</b>					1	1	1	1	1	1
<b>Extra Large Tool SVACS9</b>	<b>VP PVVR00374</b>					1	1	1	1	1	1



