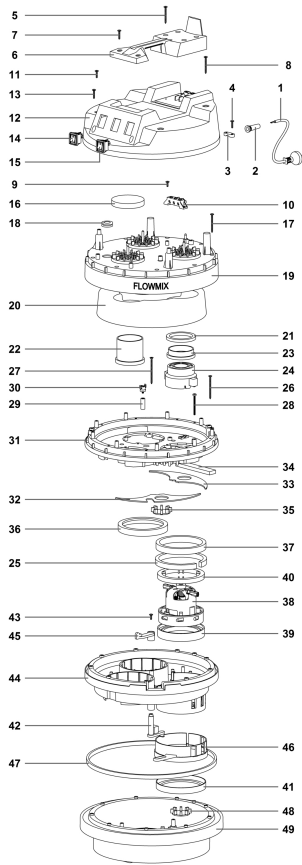


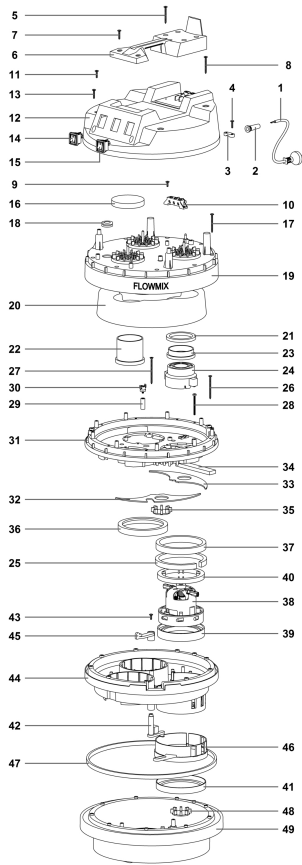
## **Spare Parts List**

VH SV PANDA 440/BARE



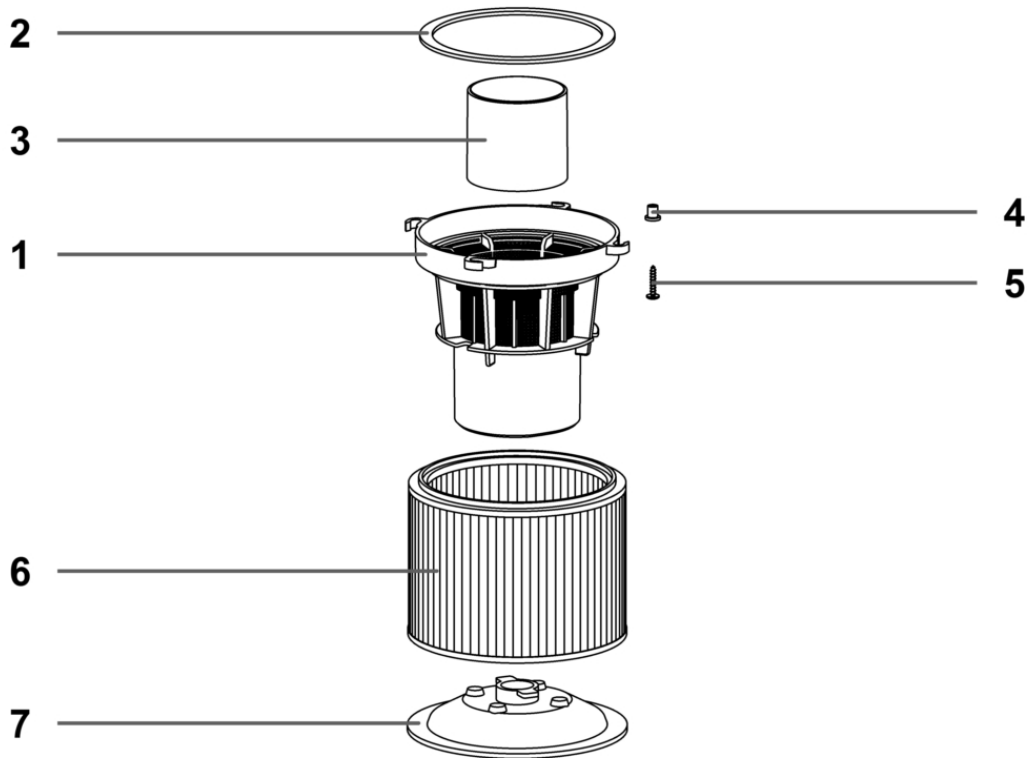
Ref.	Part No	Kerrick Part No	Description	Quantity	Validity		Price
					From	To	
#	MECB01817	TBA	WIRING 50CM MOTOR-TP	3,00			--
#	MEVR02225	TBA	FASTON COVER FOR ART.01103/C	2,00			--
#	FSVR00127	TBA	CLAMP	3,00			--
#	MECB35712	TBA	WIRE WITH RESISTANCE	1,00			--
#	MECB01594	TBA	CONN.WIRE C.400-RE-FF-FF-S2,5	1,00			--
#	MECB01665	TBA	CONN.WIRE C.DOUBLE-350-BI-FF-FF	1,00			--
#	MECB01661	TBA	CONN.WIRE DOUBLE-350-BI-FF-FF-S1,5	1,00			--
#	MEVR02118	TBA	CONNECTOR FM-FM WITH FASTON COVER	1,00			--
#	MEVR02225	TBA	FASTON COVER FOR ART.01103/C	2,00			--
#	MECB01594	TBA	CONN.WIRE C.400-RE-FF-FF-S2,5	1,00			--
#	MEVR02118	TBA	CONNECTOR FM-FM WITH FASTON COVER	1,00			--
0001	MECB01798	K-NSI	POWER CORD 2X1,5 MT.8,5 AUS 3PIN	1,00	25/05/2017		--
0002	MEVR28673	VP000138	FAIRLEAD	1,00			--
0003	MPVR28690	VP000139	CABLE CLAMP	1,00			--
0004	VTVT71961	K-NSI	SCREW PFU TMT PHL 5X20 ZN NERA	2,00			--
0005	VTVT32295	K-NSI	SCREW PAT TMT PHL 5X50	4,00			--
0006	MPVR10062	VP MPVR10062	L.BLUE HANDLE PANDA 600	1,00			--
0007	VTVT72055	K-NSI	SCREW PFU TMT PHL 5X25 ZN BLACK	2,00			--
0008	VTVT32295	K-NSI	SCREW PAT TMT PHL 5X50	2,00			--
0009	VTVT71960	K-NSI	SCREW SCREW PAT TMT PHL 5X14 ZN	2,00			--
0010	#	MECB01780	VP MECB01780	CLAMP 400-600 2P 1MOT 1,5MMQ RA	1,00		--
0011	VTVT71961	K-NSI	SCREW PFU TMT PHL 5X20 ZN NERA	2,00			--
0012	#	PMVR05964	VP PMVR05964	GREY COVER PANDA 600 3M	1,00		--
0013	VTVT72055	K-NSI	SCREW PFU TMT PHL 5X25 ZN BLACK	2,00			--
0014	MECI28744	VP00484	ANTISPLASH RED LIGHT SWITCHER	2,00			--
0015	MECI72195	VP00326	ANTISPLASH SWITCH GREEN	1,00			--
0016	FTDP38064	VP03937	FILTER MTP/65 H=15 D.95	3,00			--
0017	VTVT40007	K-NSI	SCREW PAT TMT PHL 5X55 BLACK	9,00			--
0018	MEVR72017	VP01502	GUIDING SLIT FOR QUICK COUPLING	1,00			--
0019	MPVR08504	VP02957	L.BLUE COVER 600	1,00			--
0020	#	FTDP00640	VP FTDP00640	INSULATOR ANTINOISE 400/600 D320X65	1,00		--
0021	MPVR38371	VP03969	WASHER/FILTER H8 D85X65	3,00			--
0022	#	MPVR07267	VP MPVR07267	SPACER SERIES AND PARALLEL H.70	2,00		--
0023	MPVR86282	VP00310	RING MOTORE H=7 (15) PLAST.	2,00			--
0024	#	MPVR08115	TBA	CAP /ADAPTER F/MOT.BYPASS AU	3,00		--
0025	ITSO00094	VP020844	INSULATOR ANTI-NOISE 440X15X10	1,00			--
0026	VTVT01215	K-NSI	SCREW CROSS TS 5X70	12,00			--
0027	VTVT01255	K-NSI	SCREW CROSS TS 5X80 ZN.	1,00			--
0028	VTVT01243	K-NSI	SCREW CROSS TC M 5X60 UNI 7687	1,00			--
0029	#	MEVR41831	VP06241	THERM. PROBE	1,00		--
0030	#	METK41830	VP06235	THERMOREGULATOR T MAX 85 C	1,00		--
0031	MPVR08328	VP02937	MOTOR SUPPORT HS 600 GREY 6000	1,00			--
0032	#	MPVR07274	VP020831	MUFFLER DEVICE ON LEVER SIDE	1,00		--
0033	#	MPVR07275	VP020845	MUFFLER DEVICE	2,00		--

HEAD - PMTA08549 #



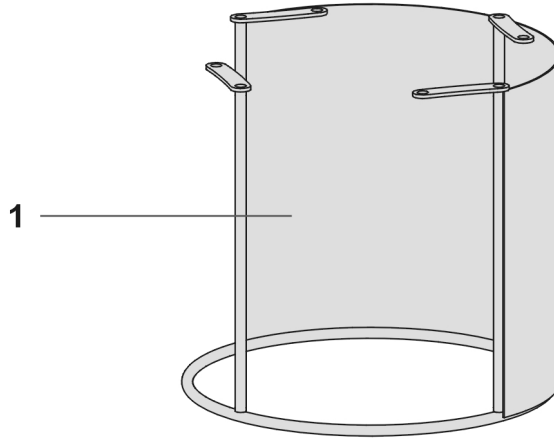
Ref.	Part No	Kerrick Part No	Description	Quantity	Validity		Price
					From	To	
0034	#	ITSO00093	VP ITSO00093 INSULATOR ANTI-NOISE 140X25X10	3,00			--
0035	MPVR28748	VP00468	VP00468 AUTOMATIC VALVE	3,00			--
0036	GUGO28683	VP03901	VP03901 "L" GASKET W/O HOLES H=5,5	2,00			--
0037	#	ITSO00095	VP ITSO00095 INSULAT.FILTER AU 146X126X18 PPI45	1,00			--
0038	MOMO00408	VP020870	VP020870 MOTOR BS282 WL 1000W 240-250 5	3,00	26/05/2017		--
0039	#	GUVR00412	VP GUVR00412 "L" GASKET D.130 H=13	3,00			--
0040	#	GUVR00413	VP GUVR00413 "C" GASKET D.130	3,00			--
0041	GUGO28683	VP03901	VP03901 "L" GASKET W/O HOLES H=5,5	1,00			--
0042	#	MPVR07262	VP MPVR07262 LEVER FOR GATE VALVE	1,00			--
0043	VTVT71960	K-NSI	K-NSI SCREW SCREW PAT TMT PHL 5X14 ZN	1,00			--
0044	MPVR08178	VP03108	VP03108 MOTOR FASTENER FLOW MIX 3 MOT G6	1,00			--
0045	MPVR07264	VP020688	VP020688 COMPOUND LEVER FOR GATE VALVE	1,00			--
0046	#	MPVR07261	VP MPVR07261 GATE VALVE	1,00			--
0047	#	GUVR00427	VP GUVR00427 GASKET 6X12 DIA 380	1,00			--
0048	MPVR28748	VP00468	VP00468 AUTOMATIC VALVE	3,00			--
0049	MPVR02262	VP03108	VP03108 BASE 600/400 W/GASK.W/PLATE GR6	1,00			--

# FILTERING KIT



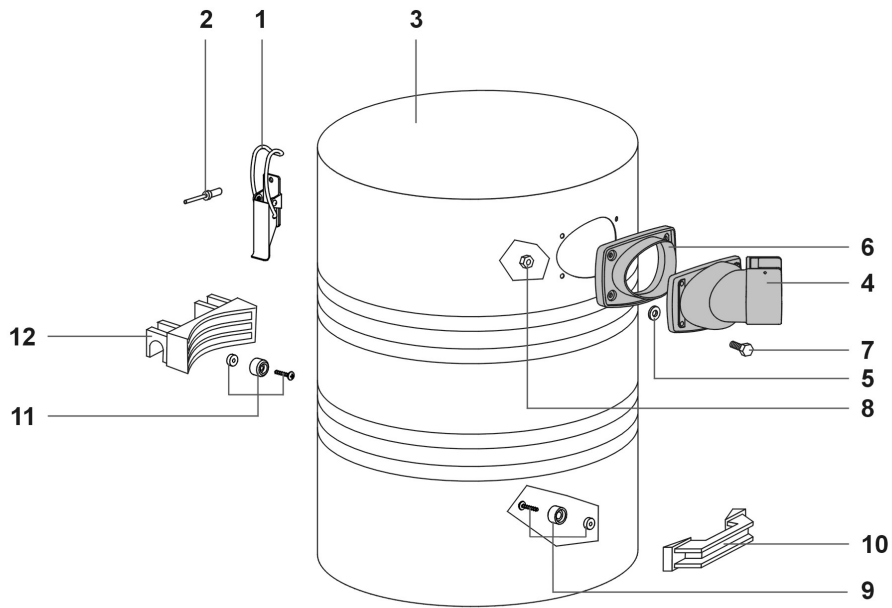
Ref.	Part No	Kerrick Part No	Description	Quantity	Validity		Price
					From	To	
0001	MPVR40521	VP02823	NET ANTIFOAM BODY HIGH	1,00			--
0002	# GUVR40078	TBA	GASKET H3 DS50 W/ANTI-FOAM BODY	1,00			--
0003	RCGR40008	VP02676	HIGH FLOAT 99 W/GASKET 37 SHA	1,00			--
0004	MPVR35796	VP03706	BUSHING PLASTIC SLEEVE D.8	4,00			--
0005	VTVT36751	K-NSI	SCREW SCREW PAT TMT PHL 5X25	4,00			--
0006	FTDP44260	VP FTDP44260	POLYESTER CARTRIDGE 175X145X163	1,00			--
0007	MPVR28723	VP02855	COMPL.RING FOR FILTER	1,00			--

Cartridge Protector - VP LAFN09609



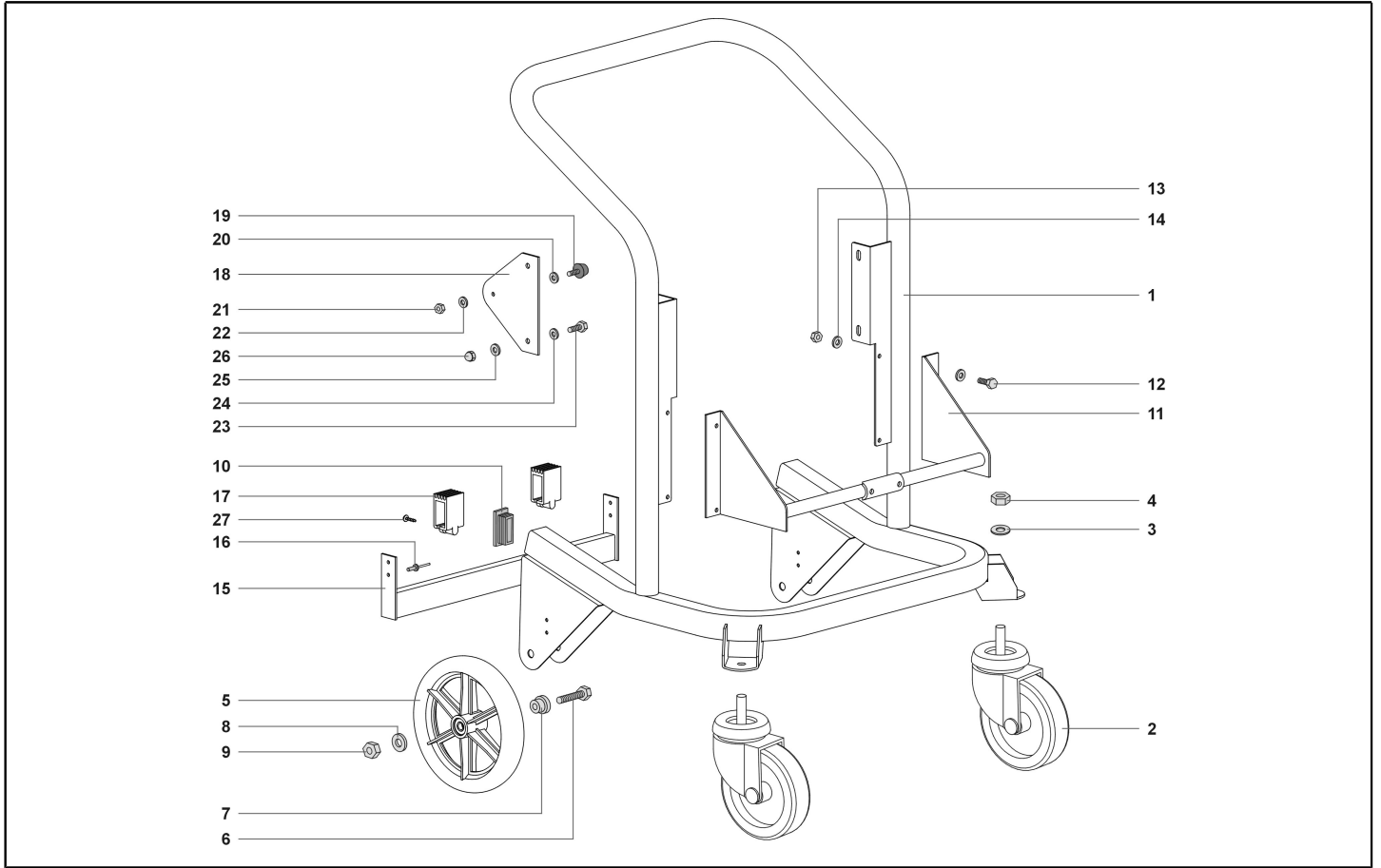
Ref.	Part No	Kerrick Part No	Description	Quantity	Validity		Price
					From	To	
0001	LAFN09609	VP LAFN09609	PROTECTION CARTRIDGE SKYVAC	1,00			--

TANK - VP PMFU00677 #

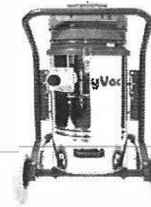


Ref.	Part No	Kerrick Part No	Description	Quantity	Validity		Price
					From	To	
0001	# CHVR40000	VP07390	UNIVERSAL METAL HOOK	3,00			--
0002	VTVR71991	K-NSI	RIVET 5X11	6,00			--
0003	# LAFN09901	VP021615	TANK 400 BASC.H=685 SP08 A430	1,00			--
0004	# MFVR00281	VP030182	PIPE UNION D60 TANG. ALL. COMP.	1,00			--
0005	VTRS00447	K-NSI	WASHER PVC 60SH D13.5X4.5 H=3	4,00			--
0006	# MPVR07323	VP021647	GASKET BOCCH. TANGENZIALE R205	1,00			--
0007	VTVT01286	K-NSI	SCREW TE M 5X25 UNI5739 Z.B.	4,00			--
0008	VTDD71969	K-NSI	NUT NUT M 5	4,00			--
0009	RIGE00015	K-NSI	COMPLETE SEAL W/SCREW L=25	2,00			--
0010	MPVR09429	VP02993	HANDLE GREY 6000	1,00			--
0011	RIGE00015	K-NSI	COMPLETE SEAL W/SCREW L=25	4,00			--
0012	MPVR06993	VP02033	HINGE GROUP BASC COMP	1,00			--

# TROLLEY - VP CARR01819





Ref.	Part No	Kerrick Part No	Description	Quantity	Validity		Price
					From	To	
0001	# LAFN11453	VP030156	FRAME OPTIM 600 SMALL VERNIC.	1,00			--
0002	# RTRT00455	VP03896	WHEEL DIA.150 M12X35	2,00			--
0003	VTRS00394	K-NSI	WASHER M 12 UNI 6592	2,00			--
0004	VTDD72060	K-NSI	LOW SELF-LOCKING NUT M 12	2,00			--
0005	# RTRT00480	VP030157	WHEEL PU DIA.245X50	2,00			--
0006	VTVT01414	K-NSI	SCREW TE M12X75 UNI 5737 8.8 Z	2,00			--
0007	PVVR00381	K-NSI	SPACER RUOTA D.245 OPT SMALL	2,00			--
0008	VTRS00394	K-NSI	WASHER M 12 UNI 6592	4,00			--
0009	# VTDD72060	VP02052	LOW SELF-LOCKING NUT M 12	2,00			--
0010	# MPVR06895	VP06835	PLASTIC TOP 40X40	2,00			--
0011	# LAFN11451	VP030158	HINGE AXIS VERNICIATO	1,00			--
0012	VTVT01019	K-NSI	SCREW TE M 6X16 UNI 5739	4,00			--
0013	VTDD00222	K-NSI	NUT M 6 UNI 5588	4,00			--
0014	VTRS00400	K-NSI	WASHER M 6 UNI 6592	8,00			--
0015	# LAFN11454	TBA	CARRYNG BAG FUSTO BASC. OPTIM SMALL V	1,00			--
0016	VTVR00395	K-NSI	RIVET 4,8X15 INOX	4,00			--
0017	# MPVR06691	VP03450	FOOT TIPPING BEARING	2,00			--
0018	# LAFN11452	VP030160	PLATE PIEDINO VERNICIATA	2,00			--
0019	# ABGO00062	VP03306	BUMPER H=17 M6X15	2,00			--
0020	VTRS00389	K-NSI	CRICKET M 6X18X1,5 UNI 6593	2,00			--
0021	VTDD00230	K-NSI	SELF-LOCJ.NUT M 6 SMALL UNI 7474	2,00			--
0022	VTRS00400	K-NSI	WASHER M 6 UNI 6592	2,00			--
0023	VTVT01392	K-NSI	SCREW TBEI 8X16 UNI 7380 INOX	4,00			--
0024	VTVR71963	K-NSI	WASHER 8X24	4,00			--
0025	VTRS00396	K-NSI	WASHER M 8 UNI 6592	4,00			--
0026	VTDD00214	K-NSI	NUT M 8 UNI 5721	4,00			--
0027	VTVT72055	K-NSI	SCREW PFU TMT PHL 5X25 ZN BLACK	2,00			--



skyVac










List of accessories supplied with the packages and extras

		List of accessories supplied with the packages and extras									
		KSVINT6	KSVINT9	KSVINT12	KSVCOM6	KSVCOM9	KSVCOM12	KSVIND6	KSVIND9	KSVIND12	
Recordable Camera System SVACS1	VP KSRI04651				1	1	1	1	1	1	
Pole (1.5 Metre Section SVAC2S)	VP KSRI04663		4	6	8	4	6	8	4	6	8



**List of accessories supplied with the packages and extras**

			KSVINT6	KSVINT9	KSVINT12	KSVCOM6	KSVCOM9	KSVCOM12	KSVIND6	KSVIND9	KSVIND12
Carry Bag SVACS10	VP PORT00007 Branded		1	1	1	1	1	1	1	1	1
Internal Brush Set SVACS11	VP KTRI04652		1	1	1						
Internal Brush Tool(Small)SVACS12	VP KTRI04653										
Internal Brush Tool(Large) SVACS13	VP KTRI04654										
Internal Duct Tool Small SVACS14	VP KTRI04655										
Internal Duct Tool - Large SVAC15	VP KTRI04656										
Cuff (flexi hose to pole) SVACS16	(50mm) VP KTRI04657					1	1	1	1	1	1

