

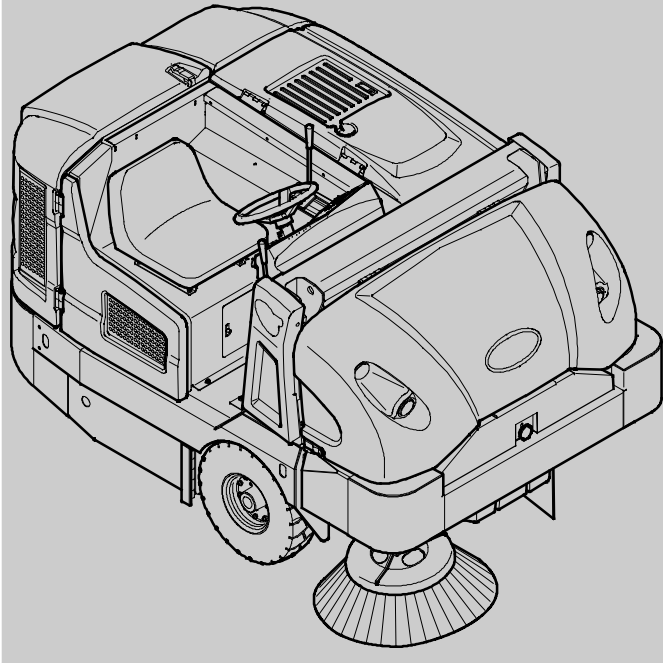
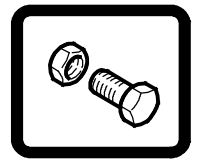


S30

(Diesel)

(SN/ 006501-)

Sweeper Parts Manual



SweepMax[®] Plus System
TennantTrue[®] Parts
IRIS[®] a Tennant Technology

North America / International

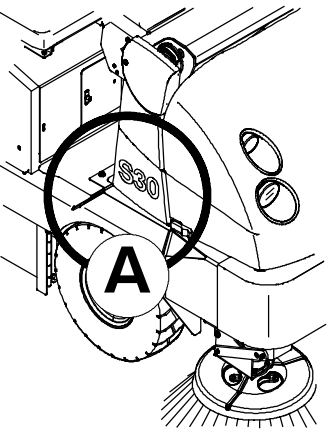
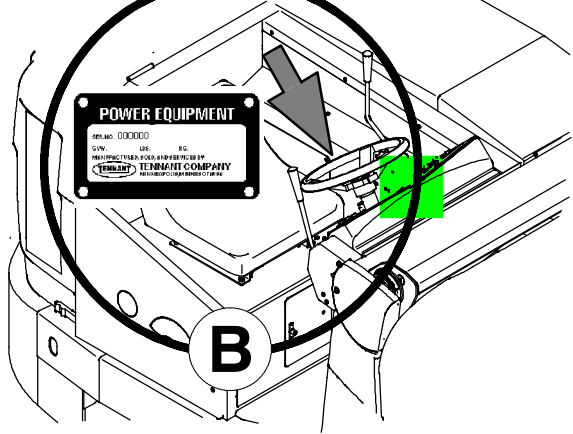


For the latest Parts manuals and other
language Operator manuals, visit:

www.tennantco.com/manuals

9013315
Rev. 08 (4-2022)



Ref	Part No.	Serial Number	Description	Qty.
1	82681	(000000-)	Bracket Wldt, Lpg Mount	1
2	63810	(000000-)	Latch Assy, Lpg Tank Mtg, W/Nut	4
3	51839	(000000-)	Nut Adjustable, Lpg Tank Mtg	2
4	49263	(000000-)	Tie, Cable	3
5	82556	(000000- 001039)	Bracket, Vaporizer	1
6	54930	(000000-)	Vaporizer, LPG	1

HOW TO ORDER PARTS - See diagram above

Only use TENNANT Company supplied or equivalent parts. Parts and supplies may be ordered online, by phone, by fax or by mail.

Follow the steps below to ensure prompt delivery.

1. **(A)** Identify the machine model.
2. **(B)** Identify the machine serial number from the data plate.
3. **(C)** Ensure the proper serial number is used from the parts list.
4. Identify the part number and quantity. Do not order by page or reference numbers.
5. Provide your name, company name, customer ID number, billing and shipping address, phone number and purchase order number.
6. Provide detail shipping instructions.

(D) ▽ - Identifies an assembly
 ▲ - Identifies parts included in assembly

EN

Please fill out at time of installation for future reference.

Model No. - _____

Serial No. - _____

Machine Options - _____

Sales Rep. - _____

Sales Rep. phone no. - _____

Customer ID Number - _____

Installation Date - _____

Tennant Company
 10400 Clean Street
 Eden Prairie, MN 55344- 2650
 Phone: (800) 553- 8033 or (763) 513- 2850
 www.tennantco.com

Thermo- Sentry, 1- STEP, EasyOpen, MaxPro², InstantAccess, II- Speed, Perma- Filter, Duramer, Lower Total Cost of Ownership, Touch- N- Go, Watershield Dust Control, and Cab Forward ErgoSpace are trademarks of Tennant Company.

Specifications and parts are subject to change without notice.

Copyright © 2014, 2015, 2016, 2017, 2018, 2019, 2021, 2022 TENNANT Company, Printed in U.S.A.

CN	<p>如何订购部件 - 参见下表</p> <p>仅使用 TENNANT 公司提供的或同等部件。部件和供应可以在线订购，通过电话、传真或邮件订购。请遵循下面的步骤确保及时交付。</p> <ol style="list-style-type: none"> 1. (A) 确定机器型号。 2. (B) 从数据标签确定机器序列号。 3. (C) 确保使用部件列表中的正确序列号。 4. 确定部件号和数量。 不要按页面或参考编号订购。 5. 提供您的姓名、公司名称、客户 ID 号、付帐和送货地址、电话号码和采购单编号。 6. 提供详细的送货说明。 <hr/> <p>(D) ▽ - 确定组件 ▲ - 确定组件中包含的组件</p>	<p>请在安装时填写供未来参考。</p> <p>型号 - _____</p> <p>序列号 - _____</p> <p>机器选项 - _____</p> <p>销售代表 - _____</p> <p>销售代表电话号码 - _____</p> <p>客户 ID 编号 - _____</p> <p>安装日期 - _____</p>
-----------	--	--

ES	<p>CÓMO SOLICITAR PIEZAS - Consulte el diagrama anterior.</p> <p>Utilice sólo las piezas suministradas por TENNANT Company o piezas equivalentes. Puede solicitar las piezas a través de internet, por teléfono, por fax o por correo.</p> <p>Siga los siguientes pasos para que la entrega sea rápida.</p> <ol style="list-style-type: none"> 1. (A) Indique el modelo de máquina. 2. (B) Indique el número de serie de la etiqueta de datos. 3. (C) Asegúrese de que indica el número de serie correcto de la lista de piezas. 4. Indique la cantidad y el número de la pieza. No realice el pedido indicando el número de página o el de referencia. 5. Incluya su nombre, el nombre de la empresa, el ID de cliente, las direcciones de envío y facturación, el número de teléfono y el número del pedido de compra. 6. Facilite instrucciones de envío. <hr/> <p>(D) ▽ - identifica un conjunto ▲ - identifica piezas de un conjunto</p>	<p>Rellene estos datos cuando realice la instalación para utilizarlos como referencia en el futuro.</p> <p>Nº modelo - _____</p> <p>Nº serie - _____</p> <p>Opciones de la máquina - _____</p> <p>Vendedor - _____</p> <p>Nº teléfono vendedor - _____</p> <p>Nº cliente - _____</p> <p>Fecha de instalación - _____</p>
-----------	--	---

FR	<p>COMMENT COMMANDER DES PIÈCES DÉTACHÉES - Voir le schéma ci-dessus.</p> <p>Utilisez uniquement des pièces fournies par la société TENNANT ou équivalentes. Les pièces et fournitures peuvent être commandées en ligne, par téléphone, fax, ou par courrier.</p> <p>Suivez les étapes ci-dessous pour assurer une livraison rapide.</p> <ol style="list-style-type: none"> 1. (A) Identifiez le modèle de la machine. 2. (B) Identifiez le numéro de série de la machine, à partir de l'étiquette signalétique. 3. (C) Assurez-vous que le numéro de série correct est utilisé à partir de la liste de pièces détachées. 4. Identifiez le numéro de pièce et la quantité. Ne commandez pas par page ou numéros de référence. 5. Fournissez votre nom, le nom de votre société, votre numéro d'identification de client, l'adresse de facturation et d'expédition, le numéro de téléphone et le numéro du bon de commande. 6. Fournissez des instructions d'expédition détaillées. <hr/> <p>(D) ▽ - identifie un assemblage ▲ - identifie les pièces composant l'assemblage</p>	<p>A remplir au moment de l'installation à titre de référence.</p> <p>Nº du modèle - _____</p> <p>Nº de série - _____</p> <p>Options de la machine - _____</p> <p>Agent commercial - _____</p> <p>Nº tél. de l'agent commercial - _____</p> <p>Numéro d'identification client - _____</p> <p>Date d'installation - _____</p>
-----------	--	---

JP	<p>パーツの発注方法 ? 上記の図を参照してください</p> <p>TENNANT社製のパーツまたは同等品のみをお使いください。パーツやサプライ品のご注文は、オンライン、電話、FAX、または手紙でお願いいたします。確実にお届けできるように、以下の情報お知らせください。</p> <ol style="list-style-type: none"> 1. (A) 製品のモデル名をお知らせください。 2. (B) 製品のデータラベルに印刷されているシリアル番号をお知らせください。 3. (C) パーツリストを参照して、シリアル番号が正しいかご確認ください。 4. パーツ番号と数量をお知らせください。マニュアル/カタログのページ番号や参照番号でのご注文はご遠慮ください。 5. お客様のお名前、会社名、顧客ID番号、請求/発送先住所、電話番号、注文書番号をお知らせください。 6. 発送に関するご希望があれば、明記してください。 <hr/> <p>(D) ▽ - アセンブリを示します ▲ - アセンブリに含まれるパーツを示します</p>	<p>後日確認できるように、設置時に記入してください。</p> <p>モデルNo. - _____</p> <p>シリアルNo. - _____</p> <p>製品のオプション - _____</p> <p>販売代理店 - _____</p> <p>販売代理店の電話番号 - _____</p> <p>顧客ID番号 - _____</p> <p>設置日 - _____</p>
-----------	---	---

GENERAL RECOMMENDED MAINTENANCE

Fig. 1 - General Recommended Maintenance Items

Ref.	Part No.	Serial Number	Description	Qty.
▽	9004644	(006501-) Maint Kit, 400Hr, Diesel [S30]	1
▲	369746	(006501-) Element, Fltr, Air [Dn]	1
▲	9005007	(006501-) Element, Fltr, Oil, Spin- on [Ku]	1
▲	1017126	(006501-) Element, Fltr, Fuel [Dn]	1
▲	25643	(006501-) Belt, V, 42.5l [3v]	1
▲	31613	(006501-) Strainer, Hyd, 025gpm 100mesh 03psi	1
▲	1021579	(006501-) Filter Assy, Hyd, 10mic	1
▲	398279	(006501-) Element, Fltr, Air, Safety	1
▽	9013115	(006501-) Skirt Kit, Hppr, Maint [S30]	1
▲	1035684	(006501-) Bolt, Carriage, M8 X 1.25 X 30	10
▲	08713	(006501-) Nut, Hex, Lock, M8 X 1.25, NI, Ss	10
▲	1212460	(006501-) Bracket, Sppt, Hppr Seal	1
▲	1212516	(006501-) Skirt, Lip	1
▲	1212509	(006501-) Skirt, Lip, Hppr	1
▲	1026798	(006501-) Strap, Main, Lip	1
▲	32491	(006501-) Washer, Flat, 0.31, Std	10
▲	1038037	(006501-) Skirt, Hppr	1
▲	41178	(006501-) Washer, Flat, 0.25, Fendr	6
▲	11635	(006501-) Screw, Hex, M6 X 1.00 X 12, NI, Ss	6
▲	1212510	(006501-) Skirt, Neo, .12, 15.9w, 20.8l, 03/SI	1
▲	11635	(006501-) Screw, Hex, M6 X 1.00 X 12, NI, Ss	5
▽	9013116	(006501-) Skirt Kit, Door, Hppr, Maint [S30]	1
▲	1212570	(006501-) Seal, Wiper, Door	1
▲	1212756	(006501-) Retainer, Seal	2
▲	1037345	(006501-) Screw, Hex, M6 X 1.00 X 30, 9.8, Sems	16
▲	32490	(006501-) Washer, Flat, 0.25, Std	34
▲	08712	(006501-) Nut, Hex, Lock, M6 X 1.00, NI, Ss	28
▲	1044950	(006501-) Strap, Door, Dump, Side	2
▲	1030218	(006501-) Cord, Sponge	1
▲	1212440	(006501-) Seal, Door, Dump	1
▲	1044419	(006501-) Plate, Retainer, Door, Dump	1
▲	06946	(006501-) Screw, Hex, M6 X 1.00 X 35, 8.8	12
	1045900	(006501-) Filter, Cyl, 11.09d, 13.31l, 6.724 ld	1
	9004545	(006501-) Key, Ignition [Replmt W/O Dust Boot]	1
	393244	(006501-) Belt, V, 42.0l [Hc41]	1
	1058133	(006501-) Belt, V, 37.3l [Ax]	1
	1045366	(006501-) Skirt, Door, Brush	1
	1045354	(006501-) Skirt, Door, Brush	1
	54190	(006501-) Skirt, Neo, .37, 06.00w 44.65l, 04/ SI Recirculation	1
	1045348	(006501-) Skirt, Neo, .18, 06.74w 50.00l, 04/ SI	1
	1032012	(006501-) Skirt, Deflector Wheel Pocket Skirt	2
	1061961	(006501-) Tire Assy, Solid, 20.8 X 5.0, W/ Brg, Front Tire	2
	53817	(006501-) Tire Assy, Solid, 18.0x4.3 4.5bc/5bolt Solid Rear Tire	1
	1032515	(006501-) Tire Assy, Pneu, 600x9 4.5bc/5bolt, Ce Pneumatic Front	2
	1005229	(006501-) Tire Assy, Pneu, 5.00 4.5bc/5blt[R8ic70] Pneumatic Rear	1
	16411	(006501-) Paint, Airdry, Off- White, 12oz	1
	16412	(006501-) Paint, Airdry, Teal, 12oz, Solid	1
	377540	(006501-) Paint, Airdry, Blk, 12oz	1
	377538	(006501-) Paint, Airdry, Gray, 12oz	1
	377537	(006501-) Paint, Airdry, Iron Gray, 12oz	1

GENERAL RECOMMENDED MAINTENANCE

Fig. 1 - General Recommended Maintenance Items

Ref.	Part No.	Serial Number	Description	Qty.
	1057710	(006501-) Oil, Hyd [El, Iso 100, 01gal]	1
	1057711	(006501-) Oil, Hyd [El, Iso 100, 05gal]	1
	1069019	(006501-) Oil, Hyd [El, Iso 68, 01gal]	1
	1069020	(006501-) Oil, Hyd [El, Iso 68, 05gal]	1
	1057707	(006501-) Oil, Hyd [El, Iso 32, 01gal]	1
	1057708	(006501-) Oil, Hyd [El, Iso 32, 05gal]	1

SECTION 2

Contents	Page
Fig. 1 - Brushes, Replacement	2- 2
Fig. 2 - Main Frame Group	2- 4
Fig. 3 - Brush Door Group, Right	2- 6
Fig. 4 - Brush Door Group, Left	2- 8
Fig. 5 - Operator Station Group	2- 10
Fig. 6 - Seat and Shroud Group	2- 12
Fig. 7 - Engine Cover Group, Rear	2- 14
Fig. 8 - Engine Cover Group, Top	2- 16
Fig. 9 - Engine Cover Group, Side	2- 18
Fig. 10 - Instrument Panel Group, S30	2- 20
Fig. 11 - Instrument Panel Group, S30 XP and X4	2- 22
Fig. 12 - Steering Group	2- 24
Fig. 13 - Engine and Mount Group, Diesel	2- 26
Fig. 14 - Engine Governor and Electrical Group, Diesel	2- 28
Fig. 15 - Engine Fuel Tank Group, Diesel	2- 30
Fig. 16 - Engine Air Cleaner Group, Diesel	2- 32
Fig. 17 - Engine Alternator and Battery Group, Diesel	2- 34
Fig. 18 - Engine Muffler Group, Diesel S30 and XP	2- 36
Fig. 19 - Engine Muffler Group, Diesel S30 X4	2- 38
Fig. 20 - Engine Radiator Hoses Group, Diesel	2- 40
Fig. 21 - Engine Radiator Mount and Fan Group	2- 42
Fig. 22 - Wheel Group, Rear Drive S30 and XP	2- 44
Fig. 23 - Wheel Group, Rear Drive, S30 X4	2- 46
Fig. 24 - Wheel Suspension Group, Rear Drive, S30 X4	2- 48
Fig. 25 - Wheel Assembly, Rear, S30 and XP	2- 50
Fig. 26 - Wheel Assembly, Rear, S30 X4	2- 51
Fig. 27 - Wheel and Brakes Group, Front Solid (Standard)	2- 52
Fig. 28 - Wheel and Brakes Group, Front Pneumatic (Option)	2- 54
Fig. 29 - Brake Pedal and Parking Brake Group	2- 56
Fig. 30 - Directional Pedal Group	2- 58
Fig. 31 - Hydraulic Pump Linkage Group, S30 and XP	2- 60
Fig. 32 - Hydraulic Pump Linkage Group, S30 X4	2- 62
Fig. 33 - Hopper Group, Plastic	2- 64
Fig. 34 - Hopper Group, Steel	2- 66
Fig. 35 - Hopper Cylinder and Dump Door Group, Plastic	2- 68
Fig. 36 - Hopper Cylinder and Dump Door Group, Steel	2- 70
Fig. 37 - Hopper Cover Group	2- 72

Contents	Page
Fig. 38 - Hopper Lift Arms and Bumper Group	2- 74
Fig. 39 - Hopper Counter Weight Group, Steel	2- 76
Fig. 40 - Hopper Pre- Filter Group	2- 78
Fig. 41 - Hopper Vacuum Fan Group	2- 80
Fig. 42 - Hopper Filter Shaker Group	2- 82
Fig. 43 - Side Brush Lift Group, S30	2- 84
Fig. 44 - Side Brush Motor and Pivot Group, S30	2- 86
Fig. 45 - Side Brush Motor Group, S30 XP and X4	2- 88
Fig. 46 - Side Brush Lift and Pivot Group, S30 XP and X4	2- 90
Fig. 47 - Main Brush Lift Group, S30	2- 92
Fig. 48 - Main Brush Lift Group, S30 XP and X4	2- 94
Fig. 49 - Main Brush Drive Group	2- 96
Fig. 50 - Hydraulic Schematic, S30 and XP	2- 98
Fig. 51 - Hydraulic Schematic, S30 X4	2- 100
Fig. 52 - Hydraulic Hose Group, S30	2- 102
Fig. 53 - Hydraulic Hose Group, S30 XP	2- 104
Fig. 54 - Hydraulic Hose Group, S30 X4	2- 106
Fig. 55 - Hydraulic Reservoir Group	2- 108
Fig. 56 - Hydraulic Cooler and Tubes Group	2- 110
Fig. 57 - Hydraulic Pumps Group, S30 and XP	2- 112
Fig. 58 - Hydraulic Pumps Group, S30 X4	2- 114
Fig. 59 - Hydraulic Valve Group, S30	2- 116
Fig. 60 - Hydraulic Valve Group, S30 XP and X4	2- 118
Fig. 61 - Hydraulic Priority and Flow Divider Valve Group, S30 X4	2- 120
Fig. 62 - Electrical Schematic, S30	2- 122
Fig. 63 - Electrical Schematic, S30 XP	2- 128
Fig. 64 - Electrical Wire Harnesses Group	2- 133
Fig. 65 - Label Group	2- 140

Fig. 1 - Brushes, Replacement

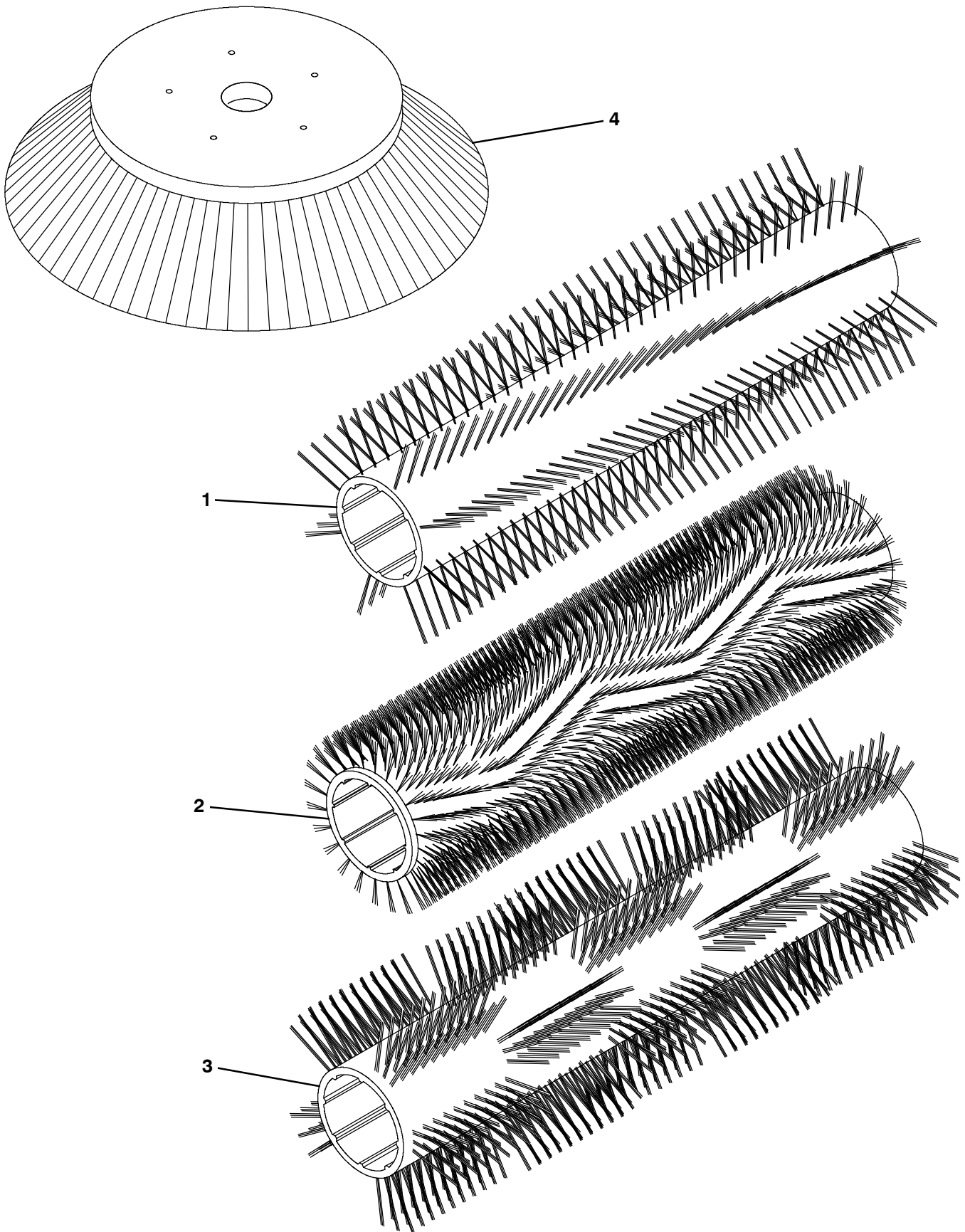


Fig. 1 - Brushes, Replacement

Ref.	Part No.	Serial Number	Description	Qty.
1	54927	(006501-) Brush, Swp, 45L, 24 Single Row, Natural Fiber & Wire, Spiral	1
1	54922	(006501-) Brush, Swp, 45L, 24 Single Row, Nylon, Spiral	1
1	54923	(006501-) Brush, Swp, 45L, 8 Double Row, Nylon, Spiral	1
1	54925	(006501-) Brush, Swp, 45L, 8 Double Row, Polypropylene & Wire, Spiral	1
1	59440	(006501-) Brush, Swp, 45L, 8 Double Row, Wire, Spiral	1
1	66019	(006501-) Brush, Swp, 45L, 8 Double Row, Polypropylene, Spiral	1
1	66018	(006501-) Brush, Swp, 45L, 5 Double Row Patrol, Nylon, Spiral	1
2	370008	(006501-) Brush, Swp, 45L, Sand Wedge, Polypropylene, Spiral	1
3	370009	(006501-) Brush, Swp, 45L, Window , Polypropylene, Spiral	1
4	1027380	(006501-) Brush, Disk, Swp, 26.0 D, Polypropylene	1
4	1041102	(006501-) Brush, Disk, Swp, 26.0 D, Nylon	1
4	1042097	(006501-) Brush, Disk, Swp, 25.4 D, Flat Wire	1

Fig. 2 - Main Frame Group

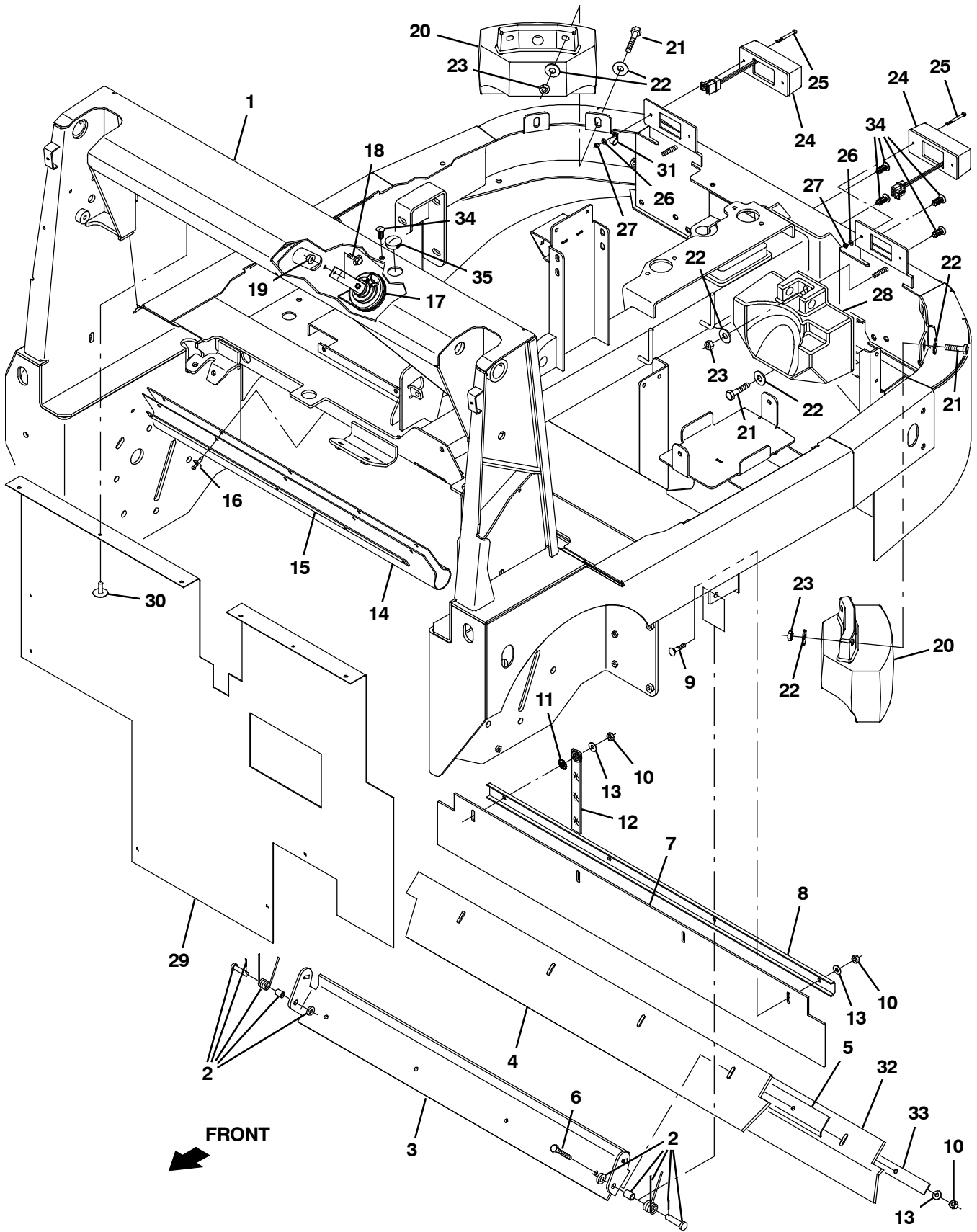


Fig. 2 - Main Frame Group

Ref.	Part No.	Serial Number	Description	Qty.	
1	1028252	(006501-) Frame Wldt, Main [S30]	1	
2	69904	(006501-) Spring Assy Kit	2	
3	54182	(006501-) Bracket, Flap, Recirculation	1	
4	1212137	(006501-) Skirt, Neo, .37, 06.00w 44.65l, 04/SI	1	
5	1212908	(006501-) Retainer, Blade, Deflector	1	
6	41342	(006501-) Screw, Hex, M8 X 1.25 X 40, 8.8	4	
7	1045348	(006501-) Skirt, Neo, .18, 06.74w 50.00l, 04/ SI	1	
8	383161	(006501-) Channel, .12, 1.5w 0.5 44.6l, 3/0.4h	1	
9	69915	(006501-) Bolt, Carriage, M8 X 1.25 X 40	4	
10	08709	(006501-) Nut, Hex, Lock, M8 X 1.25, NI	8	
11	41142	(006501-) Washer, Lock, Int- Ext, 0.38	1	
12	71579	(006501-) Strap, Static, W/Grommet, .19 1.1w 25.0l	1	
13	32491	(006501-) Washer, Flat, 0.31, Std	8	
14	1036913	(006501-) Skirt, Rbr, .12, 10.66w 43.00l, 10/ SI	1	
15	1040146	(006501-) Strip, Backing, Hppr	1	
16	21246	(006501-) Rivet, Plstc, .325d X 0.79	5	
17	369704	(006501-) Horn, 12vdc, Dba [Wolo]	1	
18	1037346	(006501-) Screw, Hex, M8 X 1.25 X 25, 9.8, Sems	1	
19	07791	(006501-) Nut, Hex, Flng, M8 X 1.25	2	
20	1036819	(006501-) Weight, Counter, Casting, 79.9 Lb	2	
21	16930	(006501-) Screw, Hex, M10 X 1.50 X 50, 8.8	5	
22	32493	(006501-) Washer, Flat, 0.50, Std	10	
23	41430	(006501-) Nut, Hex, Lock, M10 X 1.5, NI	5	
▽	24	1033578	(006501-) Taillight, 12vdc, 6.3 X 2.5	2
▲	45780	(006501-) Lamp, 12vdc, 0.5a, 04cp [#1157]	1	
25	377165	(006501-) Screw, Pan, Phl, M4 X 0.70 X 60, 4.8	4	
26	19065	(006501-) Washer, Flat, 08	4	
27	02850	(006501-) Nut, Hex, Lock, M4 X 0.70, NI	4	
28	1031503	(006501-) Weight, Counter, Casting, 72.8lb (S30 and S30XP Only)	1	
29	1212838	(006501-) Skirt, Rubber	1	
30	72968	(006501-) Rivet, Plstc, .250d X 0.90	13	
31	26395- 2	(006501-) Clamp, Cable, Stl, 0.38d X 0.38w, 1hole	1	
32	1212912	(006501-) Skirt, Neo, .18, 6.42w X 48.73l, 04/SI	1	
33	1212959	(006501-) Retainer, Blade, Deflector	1	
34	1055605	(006501-) Plug, Hole, Rnd, 0.38h .4- .7, Blk Nyl	5	
35	1061216	(006501-) Plug, Hole, Rnd, 1.37h 0.45l, Blk Nyl	1	

Fig. 3 - Brush Door Group, Right

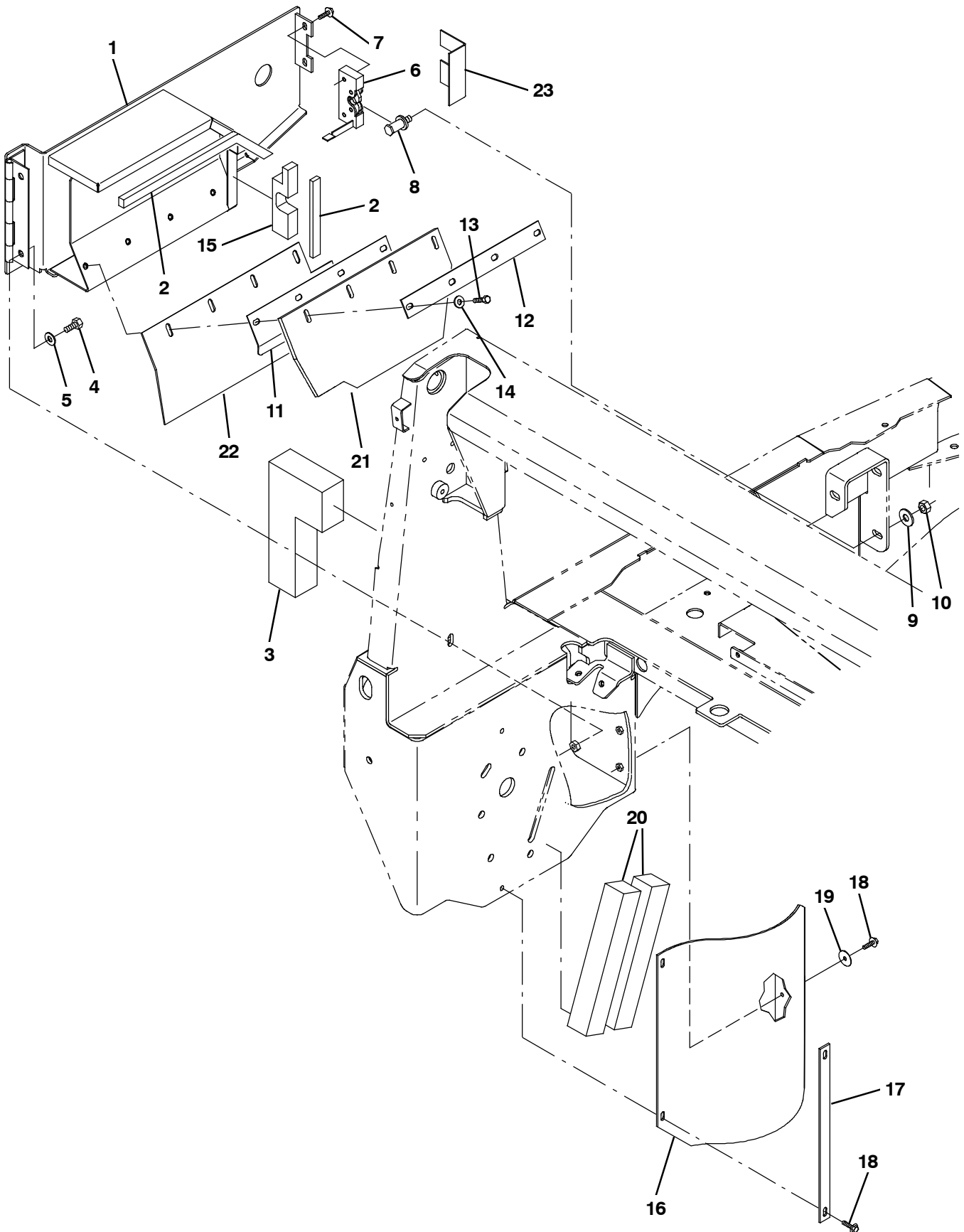


Fig. 3 - Brush Door Group, Right

Ref.	Part No.	Serial Number	Description	Qty.
1	1029580	(006501-) Door Wldt, Brush, Rh	1
2	1046428	(006501-) Seal, Afmkt, Rbr, Clsd, Adh, 02ft	2
3	1042812	(006501-) Seal, Rbr, Clsd, 2.00w 09.8l Rh	1
4	370181	(006501-) Screw, Hex, M10 X 1.50 X 25, 10.9	2
5	32492	(006501-) Washer, Flat, 0.38, Std	2
6	59195	(006501-) Latch, Hook	1
7	1036892	(006501-) Screw, Hex, M6 X 1.00 X 25, 9.8 Sems	2
8	59192	(006501-) Latch, Bolt	1
9	41619	(006501-) Washer, Flat, 0.56b 1.38d .11, Ss	1
10	07788	(006501-) Nut, Hex, Std, M12 X 1.75, Ss	1
11	1045352	(006501-) Bracket, Skirt	1
12	1039320	(006501-) Retainer, Skirt, .12, 1.5w X 14.4l, Blk	1
13	76570	(006501-) Screw, Hex, M8 X 1.25 X 30, 8.8	4
14	32491	(006501-) Washer, Flat, 0.31, Std	4
15	1212451	(006501-) Seal, Rbr, Clsd, 1.50, Door, Brush, Rh	1
16	1214146	(006501-) Skirt, Deflector	1
17	1033343	(006501-) Bracket, Retainer, Seal	2
18	1037345	(006501-) Screw, Hex, M6 X 1.00 X 30, 9.8, Sems	8
19	41187	(006501-) Washer, Flat, Belleville, .38	4
20	1042791	(006501-) Insulation, Acstc, 2.0, 02.0 X 12.0	2
21	1212911	(006501-) Skirt Assy, Door, Brush, Rh	1
22	1212134	(006501-) Skirt, Door, Brush	1
23	1213336	(006501-) Skirt, Brush Arm	1

Fig. 4 - Brush Door Group, Left

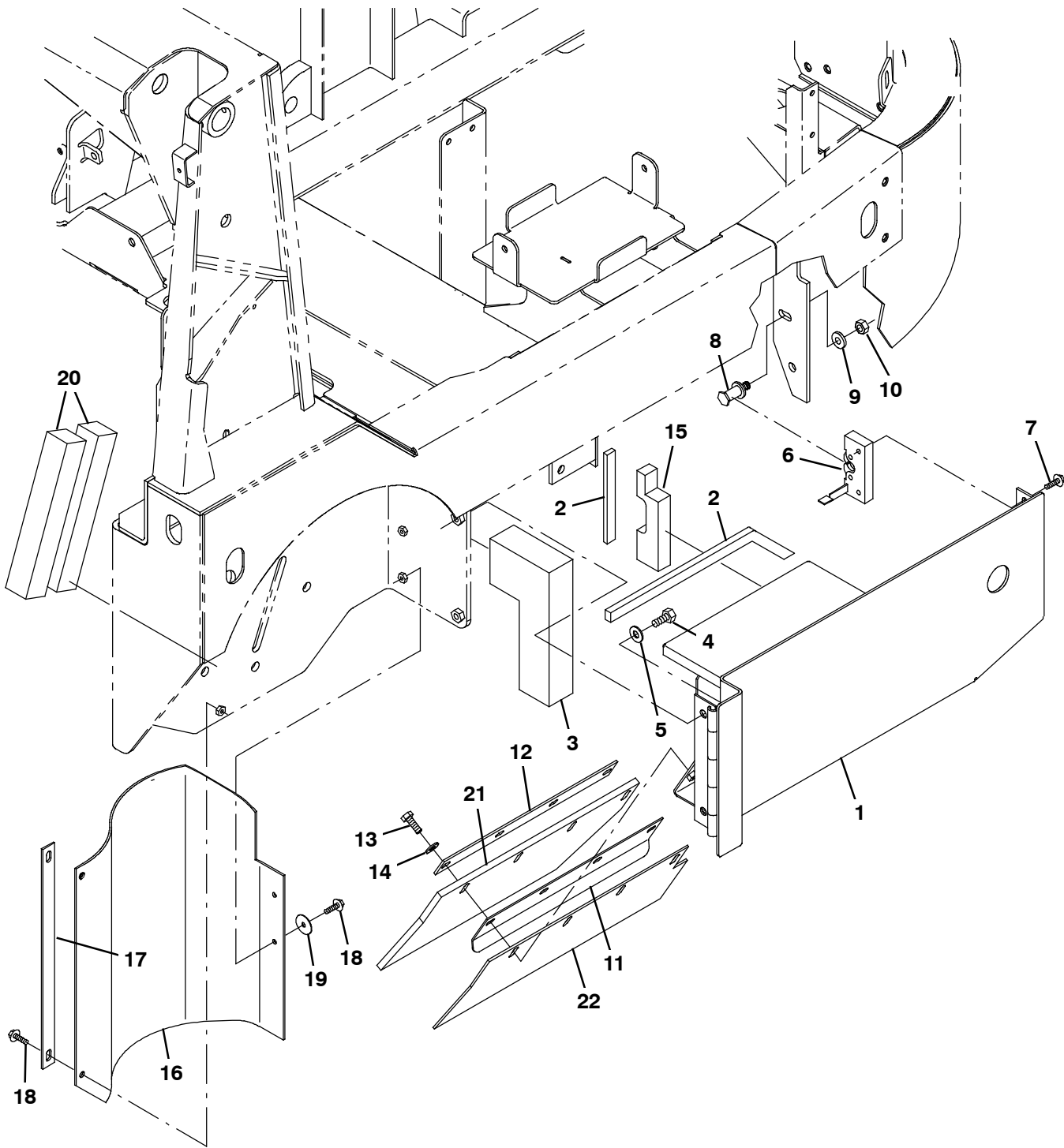


Fig. 4 - Brush Door Group, Left

Ref.	Part No.	Serial Number	Description	Qty.
1	1029801	(006501-) Door Wldt, Brush, Lh	1
2	1046428	(006501-) Seal, Afmkt, Rbr, Clsd, Adh, 02ft	2
3	1042829	(006501-) Seal, Rbr, Clsd, 2.00w 09.8l Lh	1
4	370181	(006501-) Screw, Hex, M10 X 1.50 X 25, 10.9	2
5	32492	(006501-) Washer, Flat, 0.38, Std	2
6	59194	(006501-) Latch, Hook	1
7	1036892	(006501-) Screw, Hex, M6 X 1.00 X 25, 9.8 Sems	2
8	59192	(006501-) Latch, Bolt	1
9	41619	(006501-) Washer, Flat, 0.56b 1.38d .11, Ss	1
10	07788	(006501-) Nut, Hex, Std, M12 X 1.75, Ss	1
11	1045352	(006501-) Bracket, Skirt	1
12	1039320	(006501-) Retainer, Skirt, .12, 1.5w X 14.4l, Blk	1
13	76570	(006501-) Screw, Hex, M8 X 1.25 X 30, 8.8	4
14	32491	(006501-) Washer, Flat, 0.31, Std	4
15	1212452	(006501-) Seal, Rbr, Clsd, 1.00, Door, Brush, Lh	1
16	1214146	(006501-) Skirt, Deflector	1
17	1033343	(006501-) Bracket, Retainer, Seal	2
18	1037345	(006501-) Screw, Hex, M6 X 1.00 X 30, 9.8, Sems	8
19	41187	(006501-) Washer, Flat, Belleville, .38	4
20	1042791	(006501-) Insulation, Acstc, 2.0, 02.0 X 12.0	2
21	1212910	(006501-) Skirt Assy, Door, Brush, Lh	1
22	1212134	(006501-) Skirt, Door, Brush	1

Fig. 5 - Operator Station Group

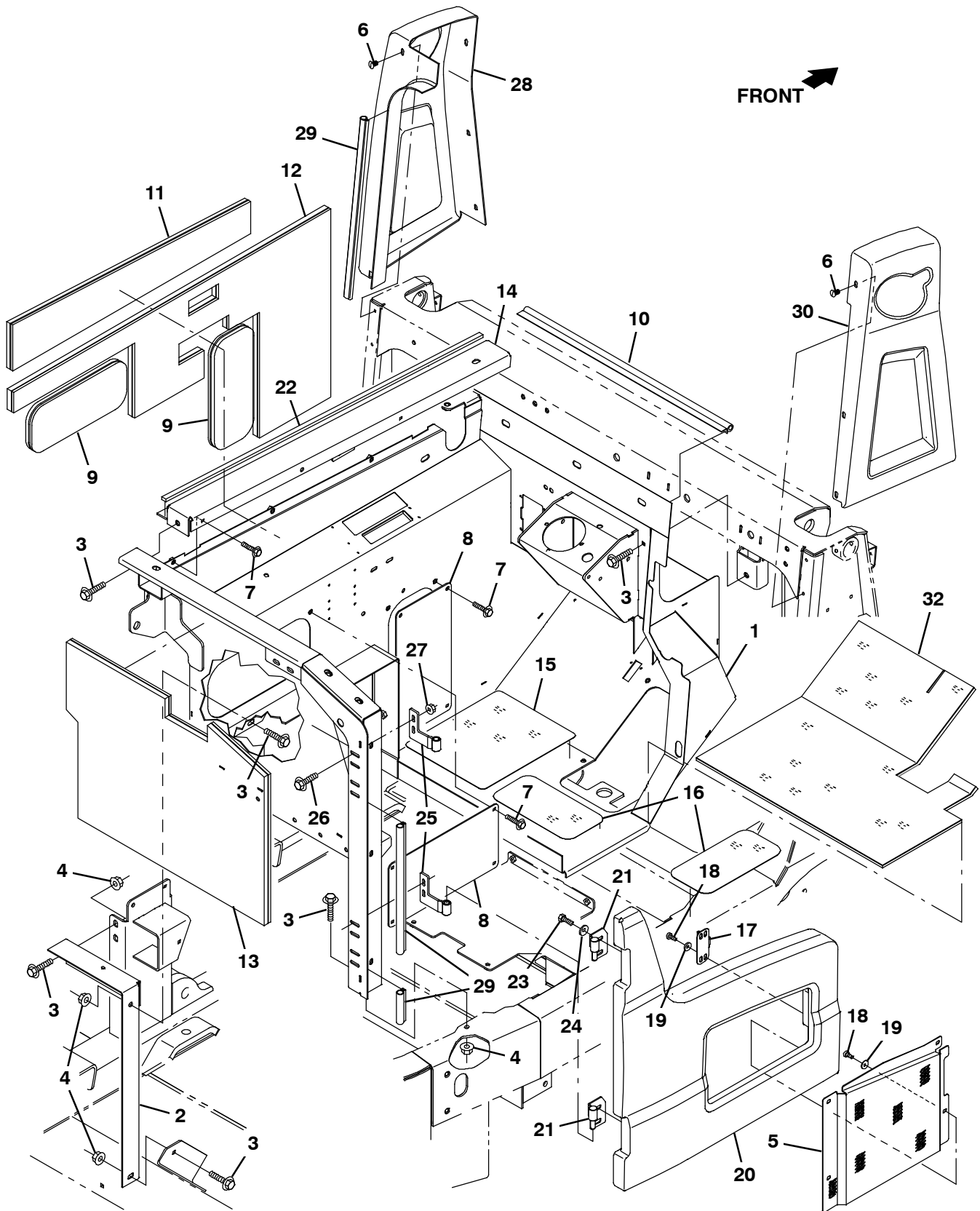


Fig. 5 - Operator Station Group

Ref.	Part No.	Serial Number	Description	Qty.
1	1058273	(006501-) Shroud Wldt, Station, Oprtr	1
2	1032315	(006501-) Channel	1
3	1037358	(006501-) Screw, Hex, M10 X 1.50 X 35, 9.8, Sems	9
4	07792	(006501-) Nut, Hex, Flng, M10 X 1.50	5
5	1064528	(006501-) Panel, Shrd, Seat	1
6	21168	(006501-) Clip, .250h, Plstc [Pine- Tree]	12
7	1037346	(006501-) Screw, Hex, M8 X 1.25 X 25, 9.8, Sems	14
8	1028201	(006501-) Panel, Side, Access	2
9	1038806	(006501-) Insulation, Flame- Retardant, 0.75- 0.88	2
10	1038959	(006501-) Seal, Trim, Bulb, 90 Degree	1
11	1033288	(006501-) Insulation, Flame- Retardant, 0.75- 0.88	1
12	1033287	(006501-) Insulation, Flame- Retardant, 0.75- 0.88	1
13	1033286	(006501-) Insulation, Flame- Retardant, 0.75- 0.88	1
14	1059307	(006501-) Lip Wldt, Station, Oprtr	1
15	86799	(006501-) Tread, Non- Skid, 10.0w 12.0l	1
16	223350	(006501-) Tread, Non- Skid, 04.5w 10.0l	2
17	1026825	(006501-) Bracket, Latch, Shrd, Seat	1
18	09200	(006501-) Screw, Pan, Phl, M5 X 0.80 X 12, Ss	6
19	19066	(006501-) Washer, Flat, 10	6
20	9007979	(006501-) Cover, Seat, Rotomold, Afmkt [S30]	1
21	1057880	(006501-) Hinge Wldt, Shrd, Rh	2
22	1046426	(006501-) Seal, Afmkt, Rbr, Clsd, Adh, 08ft	1
23	16735	(006501-) Screw, Hex, M8 X 1.25 X 16, 8.8	4
24	32491	(006501-) Washer, Flat, 0.31, Std	4
25	1057875	(006501-) Hinge Wldt, Shrd, Rh	2
26	1036892	(006501-) Screw, Hex, M6 X 1.00 X 25, 9.8, Sems	4
27	07790	(006501-) Nut, Hex, Flng, M6 X 1.00	4
28	9007977	(006501-) Cover, Lntl, Lh, Rotomold, Afmkt [S30]	1
29	1030588	(006501-) Seal, Afmkt, Bulb, 90, 0.75d F/11ga 02ft	2
30	9007978	(006501-) Cover, Lntl, Rh, Rotomold, Afmkt [S30]	1

Fig. 6 - Seat and Shroud Group

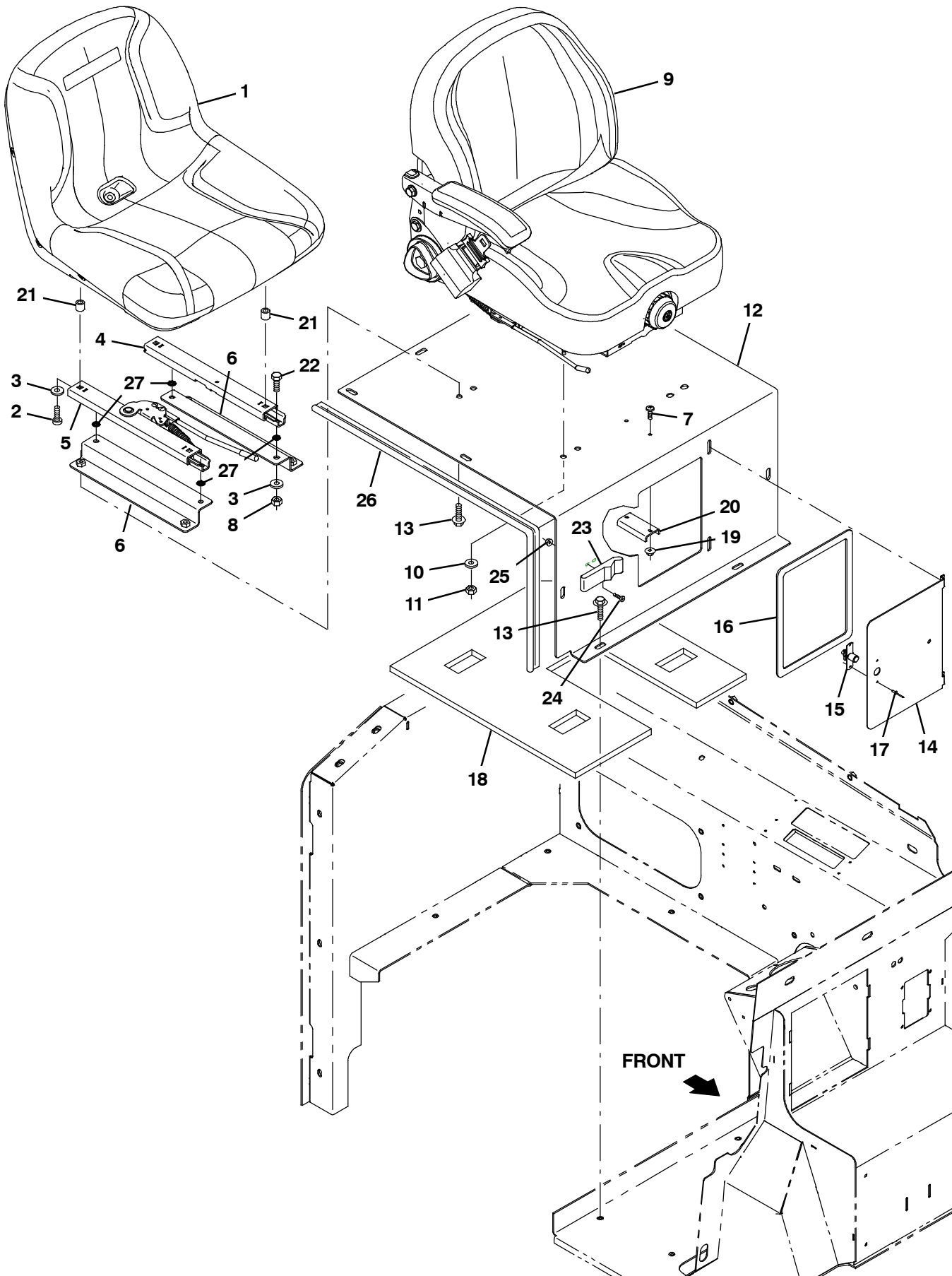


Fig. 6 - Seat and Shroud Group

Ref.	Part No.	Serial Number	Description	Qty.
1	1201894	(006501-) Seat, Std [Milsco] (S30 Only)	1
2	49177	(006501-) Screw, Pan, Phl, .31- 18 X 1.00, G2	4
3	69461	(006501-) Washer, Flat, 0.38b 0.88d .12, Stl, Pl	12
4	1077067	(006501-) Track, N- Lkg, Seat, 12.5l, No Stud	1
5	1077071	(006501-) Track, Locking, 12.5l, No Stud W/Handle	1
6	1040363	(006501-) Bracket, Angle, Mtg, Seat	2
7	06933	(006501-) Screw, Pan, Phl, M5 X 0.80 X 16, 4.8	2
8	32983	(006501-) Nut, Hex, Lock, .31- 18, NI	4
9	9018735	(006501-) Seat, Deluxe, Replmt (S30XP Only) (See Breakdowns)	1
10	32491	(006501-) Washer, Flat, 0.31, Std (S30XP Only)	4
11	32983	(006501-) Nut, Hex, Lock, .31- 18, NI (S30XP Only)	4
12	1036502	(006501-) Panel, Seat	1
13	1037346	(006501-) Screw, Hex, M8 X 1.25 X 25, 9.8, Sems	13
14	1036489	(006501-) Door, Access	1
15	140962	(006501-) Latch, Cmpr, Spring, Knurled Knob, Pl	1
16	1036500	(006501-) Gasket, Rbr, .13, 07.87w 09.84l, Adh	1
17	87316	(006501-) Rivet, Blind, .125d X 0.32 X .25d, Alm	2
18	1033291	(006501-) Insulation, Flame- Retardant, 1.00	1
19	07789	(006501-) Nut, Hex, Flng, M5 X 0.80	2
20	63378	(006501-) Magnet, Drive Brush	1
21	1051052	(006501-) Spacer, Rnd, .38b .88d .38l	4
22	79665	(006501-) Screw, Hex, .31- 18 X 1.00, G5	4
23	49800	(006501-) Latch	1
24	06928	(006501-) Screw, Pan, Phl, M4 X 0.70 X 20, 4.8	2
25	02850	(006501-) Nut, Hex, Lock, M4 X 0.70, NI	2
26	1031625	(006501-) Seal, Afmkt, Bulb, Str, .50d F/11ga 03ft	1
27	1077073	(006501-) Nut, Push, Bolt Retention, Stl,5/16 Thrd	4

Fig. 7 - Engine Cover Group, Rear

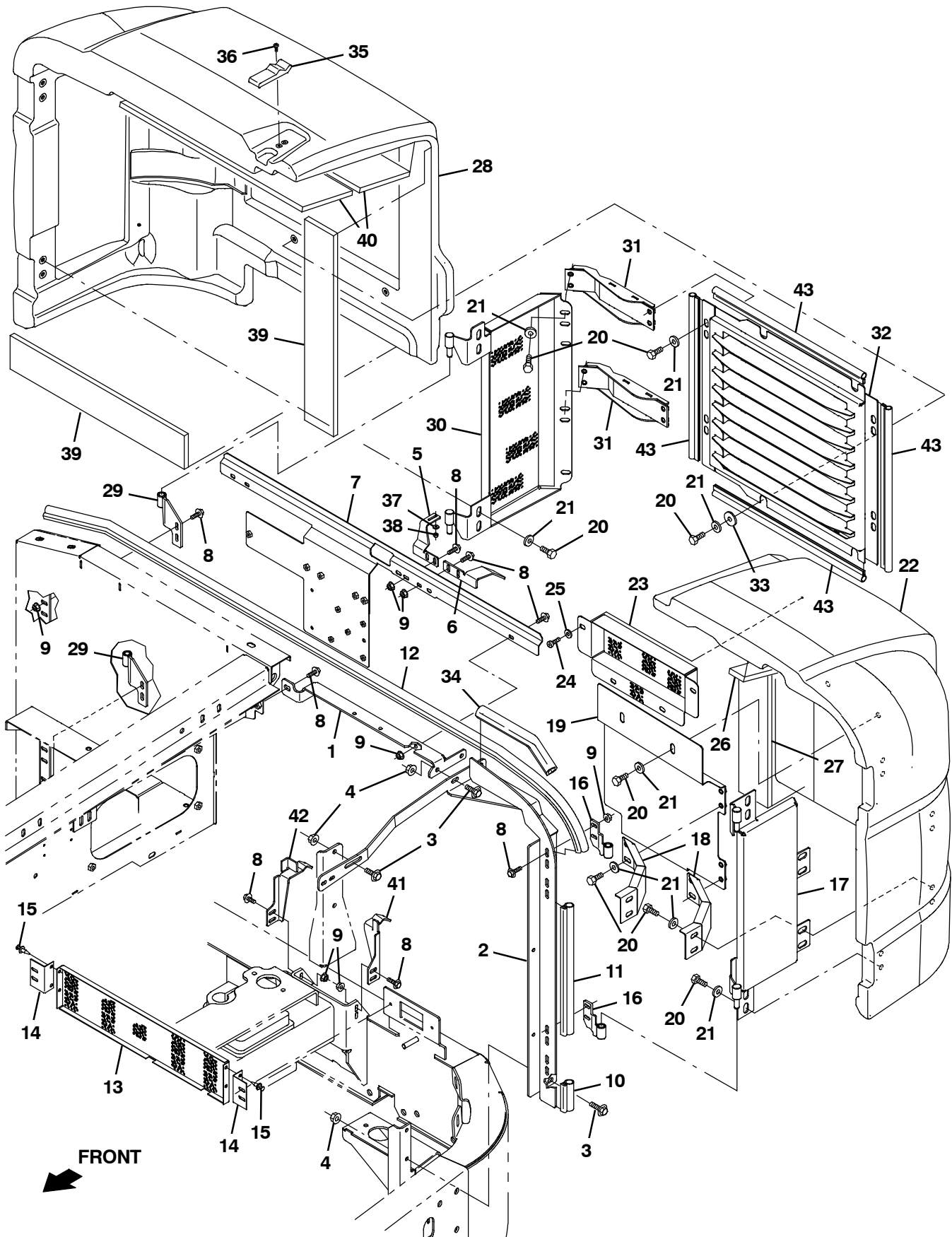


Fig. 7 - Engine Cover Group, Rear

Ref.	Part No.	Serial Number	Description	Qty.
1	1057778	(006501-) Bracket, Sppt, Cover, Rear, Lh	1
2	1057776	(006501-) Brace Wldt, Sppt	1
3	1037346	(006501-) Screw, Hex, M8 X 1.25 X 25, 9.8, Sems	5
4	07791	(006501-) Nut, Hex, Flng, M8 X 1.25	5
5	1060449	(006501-) Bracket, Latch, Shrd	1
6	1059479	(006501-) Bracket, Sppt, Shrd, Rear, Upper, Lh	1
7	1057786	(006501-) Bracket, Sppt, Rear, Shrd	1
8	1036892	(006501-) Screw, Hex, M6 X 1.00 X 25, 9.8, Sems	20
9	07790	(006501-) Nut, Hex, Flng, M6 X 1.00	9
10	1030585	(006501-) Seal, Afmkt, Bulb, 90, 0.75d F/11ga 01ft	1
11	1030588	(006501-) Seal, Afmkt, Bulb, 90, 0.75d F/11ga 02ft	1
12	1030593	(006501-) Seal, Afmkt, Bulb, 90, 0.75d F/11ga 08ft	1
13	1032962	(006501-) Grill	1
14	1034378	(006501-) Bracket, Grill	2
15	1040816	(006501-) Rivet, Plstc, .250d X 0.90	4
16	1059874	(006501-) Hinge Wldt, Shrd, Lh	2
17	1059996	(006501-) Panel Wldt, Heat, Shield, Lh	1
18	1059211	(006501-) Bracket, Sppt, Cover, Rear, Lh	2
19	1061000	(006501-) Panel, Heat, Shield, Rear, Lh	1
20	16735	(006501-) Screw, Hex, M8 X 1.25 X 16, 8.8	31
21	32491	(006501-) Washer, Flat, 0.31, Std	21
22	9007974	(006501-) Cover, Rear, Lh, Rotomold, Afmkt [S30]	1
23	1059440	(006501-) Panel, Shrd, Eng	1
24	360973	(006501-) Screw, Pan, 12- 16 X 0.50, F/ Plstc	4
25	19066	(006501-) Washer, Flat, 10	4
26	1061147	(006501-) Insulation, Acstc, 0.5, 11.5 X 14.5 Adh	1
27	1061145	(006501-) Insulation, Acstc, 0.5, 03.0 X 23.0 Adh	1
28	9007975	(006501-) Cover, Rear, Rh, Rotomold, Afmkt [S30]	1
29	1060639	(006501-) Hinge Wldt, Shrd, Rh	2
30	1059520	(006501-) Grill Wldt, Screen, Rear, Rh	1
31	1059516	(006501-) Bracket Wldt, Sppt, Cover, Rear, Rh	2
32	1059481	(006501-) Grill Wldt, Rear, Rh	1
33	30013	(006501-) Washer, Flat, 0.31, Fendr	4
34	1015274	(006501-) Seal, Afmkt, Bulb, Str, 0.76, 0.93w 01ft	1
35	49800	(006501-) Latch	1
36	06927	(006501-) Screw, Pan, Phl, M4 X 0.70 X 16, 4.8	4
37	19064	(006501-) Washer, Flat, 0.16b 0.38d .05, Pl, 06	2
38	02850	(006501-) Nut, Hex, Lock, M4 X 0.70, NI	2
39	1061145	(006501-) Insulation, Acstc, 0.5, 03.0 X 23.0 Adh	2
40	1061146	(006501-) Insulation, Acstc, 0.5, 05.5 X 23.0 Adh	2
41	1059477	(006501-) Bracket, Sppt, Shrd, Rear, Lower, Lh	1
42	1059478	(006501-) Bracket, Sppt, Shrd, Rear, Lower, Rh	1
43	1031623	(006501-) Seal, Afmkt, Bulb, Str, .50d F/11ga 02ft	4

Fig. 8 - Engine Cover Group, Top

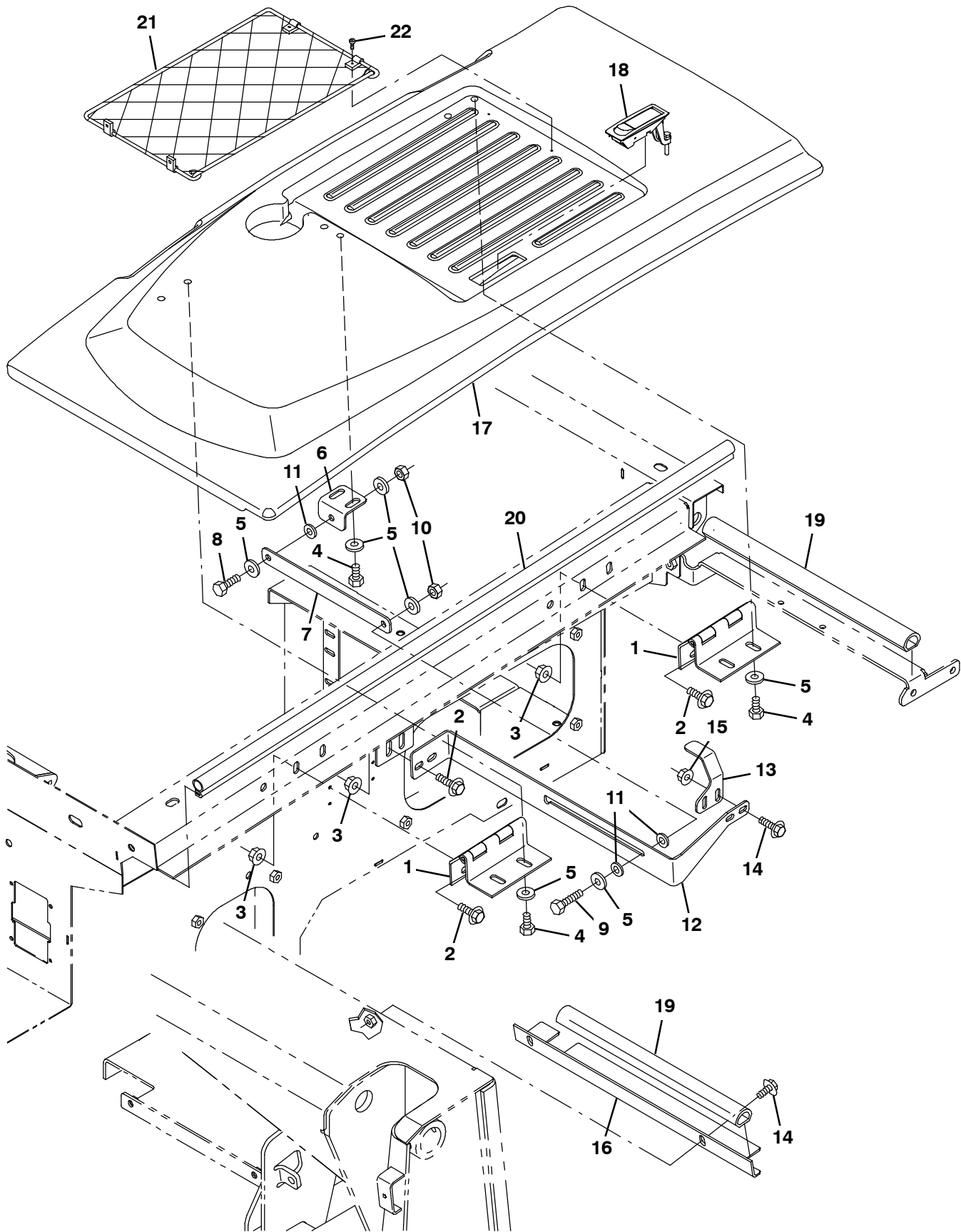


Fig. 8 - Engine Cover Group, Top

Ref.	Part No.	Serial Number	Description	Qty.
1	1057961	(006501-) Hinge, .25pin .12, Cover, Top	2
2	1037346	(006501-) Screw, Hex, M8 X 1.25 X 25, 9.8, Sems	6
3	07791	(006501-) Nut, Hex, Flng, M8 X 1.25	6
4	16735	(006501-) Screw, Hex, M8 X 1.25 X 16, 8.8	6
5	32491	(006501-) Washer, Flat, 0.31, Std	10
6	1059285	(006501-) Bracket, Prop, Rod, Cover	1
7	1059286	(006501-) Plate, Prop, Rod	1
8	39277	(006501-) Screw, Hex, M8 X 1.25 X 25, 8.8	1
9	06955	(006501-) Screw, Hex, M8 X 1.25 X 35, 8.8	1
10	08709	(006501-) Nut, Hex, Lock, M8 X 1.25, NI	2
11	43611	(006501-) Washer, Flat, 0.39b 0.75d .06, Nyl	3
12	1059276	(006501-) Bracket, Sppt, Prop, Rod	1
13	1059291	(006501-) Bracket, Latch, Cover, Top	1
14	1036892	(006501-) Screw, Hex, M6 X 1.00 X 25, 9.8, Sems	4
15	07790	(006501-) Nut, Hex, Flng, M6 X 1.00	2
16	1059269	(006501-) Bracket, Angle, Lintel	1
17	9007976	(006501-) Cover, Top, Rotomold, Afmkt [S30]	1
18	398806	(006501-) Latch	1
19	1015273	(006501-) Seal, Afmkt, Bulb, Str, 0.76, 0.93w 02ft	2
20	1030593	(006501-) Seal, Afmkt, Bulb, 90, 0.75d F/11ga 08ft	1
21	CD001	(006501-) Glovenet- 525 Document Rack/Net 60200104-	1
22	1053318	(006501-) Screw, Pan, Phl, 08- 16 X 1.00, F/ Plstc	4

Fig. 9 - Engine Cover Group, Side

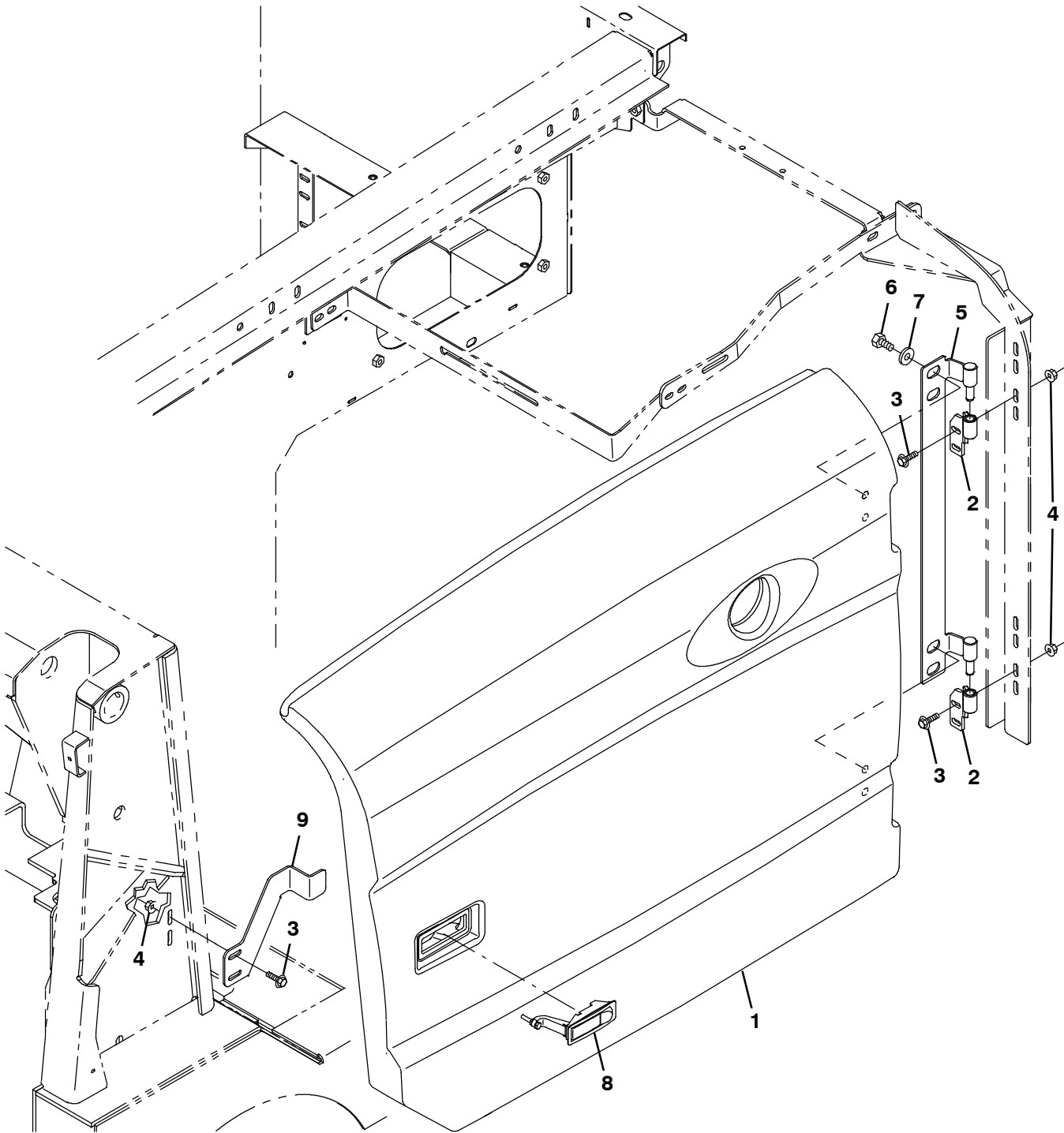


Fig. 9 - Engine Cover Group, Side

Ref.	Part No.	Serial Number	Description	Qty.
1	9007973	(006501-) Cover, Side, Rotomold, Afmkt [S30]	1
2	1059874	(006501-) Hinge Wldt, Shrd, Lh	2
3	1036892	(006501-) Screw, Hex, M6 X 1.00 X 25, 9.8, Sems	6
4	07790	(006501-) Nut, Hex, Flng, M6 X 1.00	6
5	1059868	(006501-) Hinge Wldt, Shrd, Side, Lh	1
6	16735	(006501-) Screw, Hex, M8 X 1.25 X 16, 8.8	4
7	1017218	(006501-) Washer, Flat, 0.32b 1.00d .12, Ss	4
8	398806	(006501-) Latch	1
9	1059221	(006501-) Bracket, Latch, Side, Door	1

Fig. 10 - Instrument Panel Group, S30

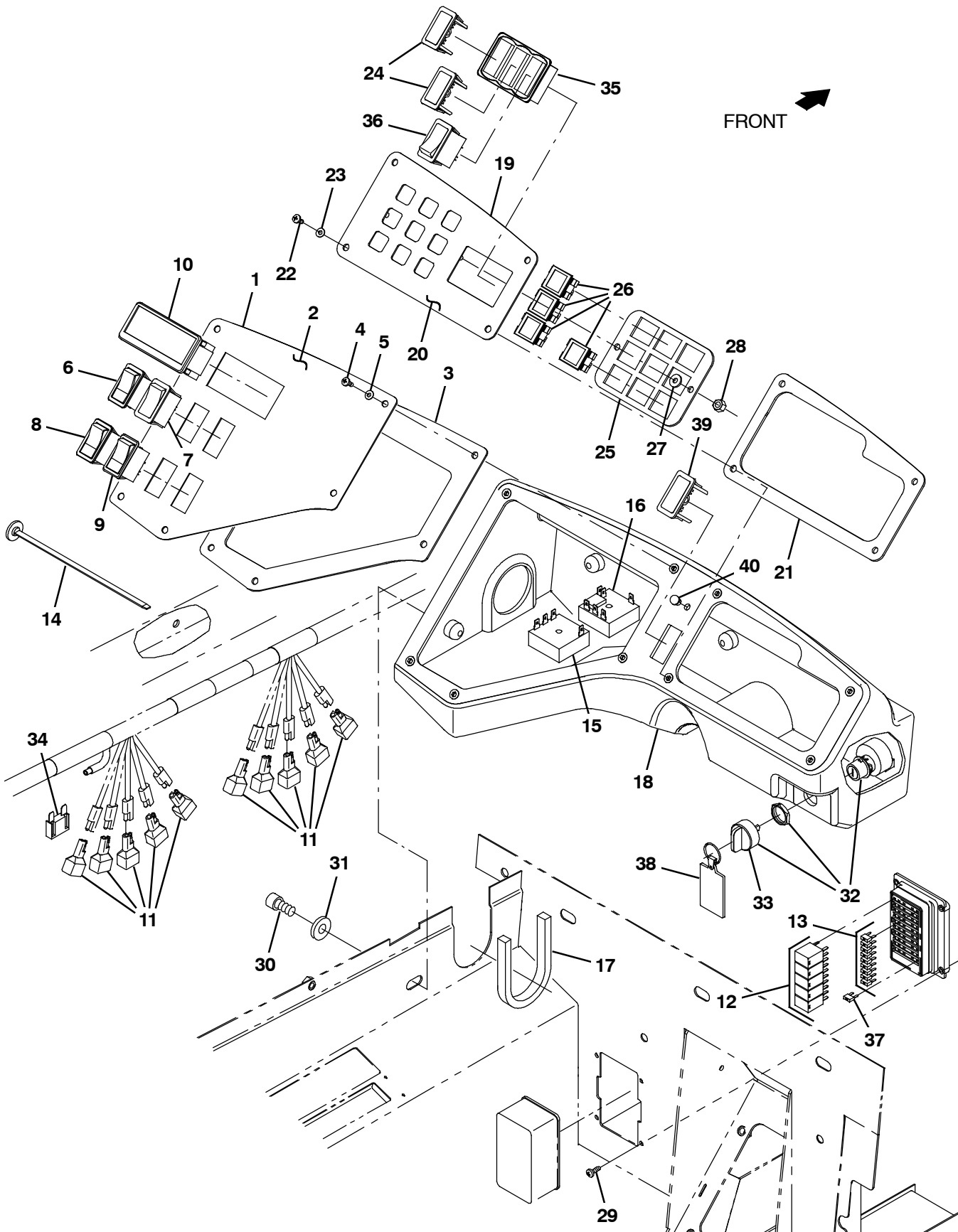


Fig. 10 - Instrument Panel Group, S30

Ref.	Part No.	Serial Number	Description	Qty.
▽		9004529	(006501-) Panel Assy, Instmt, Basic, Replmt	1
▲	1	1031683	(006501-) Panel, Instrument, Basic	1
▲	2	1033884	(006501-) Label, Panl, Instmt, Basic	1
▲	3	1031211	(006501-) Gasket, Panel, Instmt	1
▲	4	1045487	(006501-) Screw, Pan, Phl, M5 X 0.80 X 16, Blk	5
▲	5	1012615	(006501-) Washer, Flat, 0.19b 0.44d .03, Nyl, Blk	5
	6	377084	(006501-) Switch, Rocker, Prgrsv	1
	7	398528	(006501-) Switch, Rocker, Dpdt, On / Off / Mom	1
	8	398508	(006501-) Switch, Rocker, Dpdt, Mom / Off / Mom	1
	9	397889	(006501-) Switch, Rocker, Dpst, On / None / On	1
	10	1028750	(006501-) Indicator, Ele, [Multi- Display]	1
	11	222290	(006501-) Diode, Ele, Plug	10
	12	1028832	(006501-) Relay, 12vdc, 35a, Spdt [Micro 280]	5
	13	1030985	(006501-) Fuse, Blade, 15a, 32v [Mini]	9
	14	1041873	(006501-) Fastener, Wire, Tie [Button Head]	2
	15	34816	(006501-) Timer, 12vdc, 30sec On	1
	16	1030813	(006501-) Timer, 12vdc, 6sec Spcl [Tosr116]	1
	17	1035153	(006501-) Gasket,Harness	1
	18	1035507	(006501-) Box, Instrument, li, Trimmed	1
▽		9004528	(006501-) Panel Assy, Switch, Replmt	1
▲	19	1033771	(006501-) Panel, Switch li	1
▲	20	1033883	(006501-) Label, Panl, Instmt, Rh	1
▲	21	1031664	(006501-) Gasket, Panel, Switch	1
▲	22	1045487	(006501-) Screw, Pan, Phl, M5 X 0.80 X 16, Blk	4
▲	23	1012615	(006501-) Washer, Flat, 0.19b 0.44d .03, Nyl, Blk	4
	24	398501	(006501-) Plug, Hole, Rt, Rocker Switch, .87 X 1.7	2
	25	1033760	(006501-) Panel, Light	1
	26	361075	(006501-) Light, Panl, 14vdc, 1.1 X 1.0	4
	27	19066	(006501-) Washer, Flat, 10	2
	28	08708	(006501-) Nut, Hex, Lock, M6 X 1.00, NI	2
	29	39239	(006501-) Screw, Pan, Phl, 10- 32 X 0.50, G2, Blk	4
	30	1056769	(006501-) Screw, Soc, M10 X 1.50 X 16, 12.9	4
	31	32485	(006501-) Washer, Flat, 0.38, Sae	4
▽	32	1028790	(006501-) Switch, Key, 4 Pos [Honeywell]	1
▲	33	9004545	(006501-) Key, Ignition [Replmt W/O Dust Boot]	1
	34	394922	(006501-) Fuse, Blade, 060a [Maxi]	1
	35	1029951	(006501-) Bezel, Switch [3 Gang]	1
	36	377084	(006501-) Switch, Rocker, Prgrsv	1
	37	1036014	(006501-) Fuse, Blade, 25a, 32vdc [Mini]	1
	38	1075003	(006501-) Keychain, Rectangle, Parts & Service	1
	39	398501	(008041-) Plug, Hole, Rt, Rocker Switch, .87 X 1.7	1
	40	80061	(008041-) Plug, Hole, Rnd, 0.30h 0.3l	1

Fig. 11 - Instrument Panel Group, S30 XP and X4

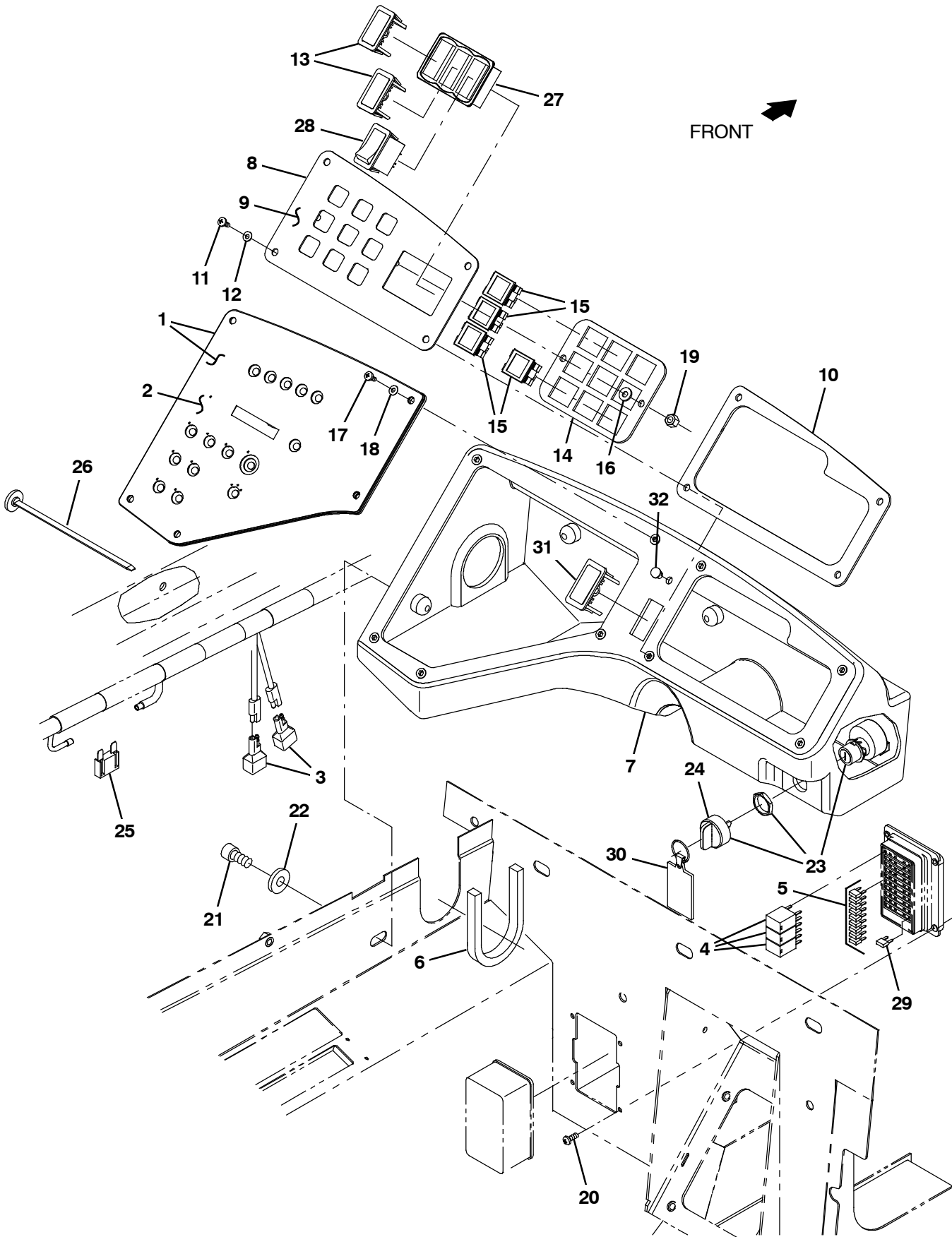


Fig. 11 - Instrument Panel Group, S30 XP and X4

Ref.	Part No.	Serial Number	Description	Qty.	
1	9004513	(006501-) Panel Kit, Replmt [S30] (Includes Control Board and Label Overlay Panel)	1	
2	9004325	(006501-) Label, Overlay Panel, Replmt [S30]	1	
3	222290	(006501-) Diode, Ele, Plug	2	
4	1028832	(006501-) Relay, 12vdc, 35a, Spdt [Micro 280]	3	
5	1030985	(006501-) Fuse, Blade, 15a, 32v [Mini]	9	
6	1035153	(006501-) Gasket, Harness	1	
7	1035507	(006501-) Box, Instrument, li, Trimmed	1	
▽	9004528	(006501-) Panel Assy, Switch, Replmt	1	
▲	8	1033771	(006501-) Panel, Switch li	1
▲	9	1033883	(006501-) Label, Panl, Instmt, Rh	1
▲	10	1031664	(006501-) Gasket, Panel, Switch	1
▲	11	1045487	(006501-) Screw, Pan, Phl, M5 X 0.80 X 16, Blk	4
▲	12	1012615	(006501-) Washer, Flat, 0.19b 0.44d .03, Nyl, Blk	4
13	398501	(006501-) Plug, Hole, Rt, Rocker Switch, .87 X 1.7	2	
14	1033760	(006501-) Panel, Light	1	
15	361075	(006501-) Light, Panl, 14vdc, 1.1 X 1.0	4	
16	19066	(006501-) Washer, Flat, 10	2	
17	1045487	(006501-) Screw, Pan, Phl, M5 X 0.80 X 16, Blk	5	
18	1012615	(006501-) Washer, Flat, 0.19b 0.44d .03, Nyl, Blk	5	
19	08708	(006501-) Nut, Hex, Lock, M6 X 1.00, NI	2	
20	39239	(006501-) Screw, Pan, Phl, 10- 32 X 0.50, G2, Blk	4	
21	1056769	(006501-) Screw, Soc, M10 X 1.50 X 16, 12.9	4	
22	32485	(006501-) Washer, Flat, 0.38, Sae	4	
▽	23	1028790	(006501-) Switch, Key, 4 Pos [Honeywell]	1
▲	24	9004545	(006501-) Key, Ignition [Replmt W/O Dust Boot]	1
25	394922	(006501-) Fuse, Blade, 060a [Maxi]	1	
26	1041873	(006501-) Fastener, Wire, Tie [Button Head]	2	
27	1029951	(006501-) Bezel, Switch [3 Gang]	1	
28	377084	(006501-) Switch, Rocker, Prgrsv	1	
29	1036014	(006501-) Fuse, Blade, 25a, 32vdc [Mini]	1	
30	1075003	(006501-) Keychain, Rectangle, Parts & Service	1	
31	398501	(008041-) Plug, Hole, Rt, Rocker Switch, .87 X 1.7	1	
32	80061	(008041-) Plug, Hole, Rnd, 0.30h 0.3l	1	

Fig. 12 - Steering Group

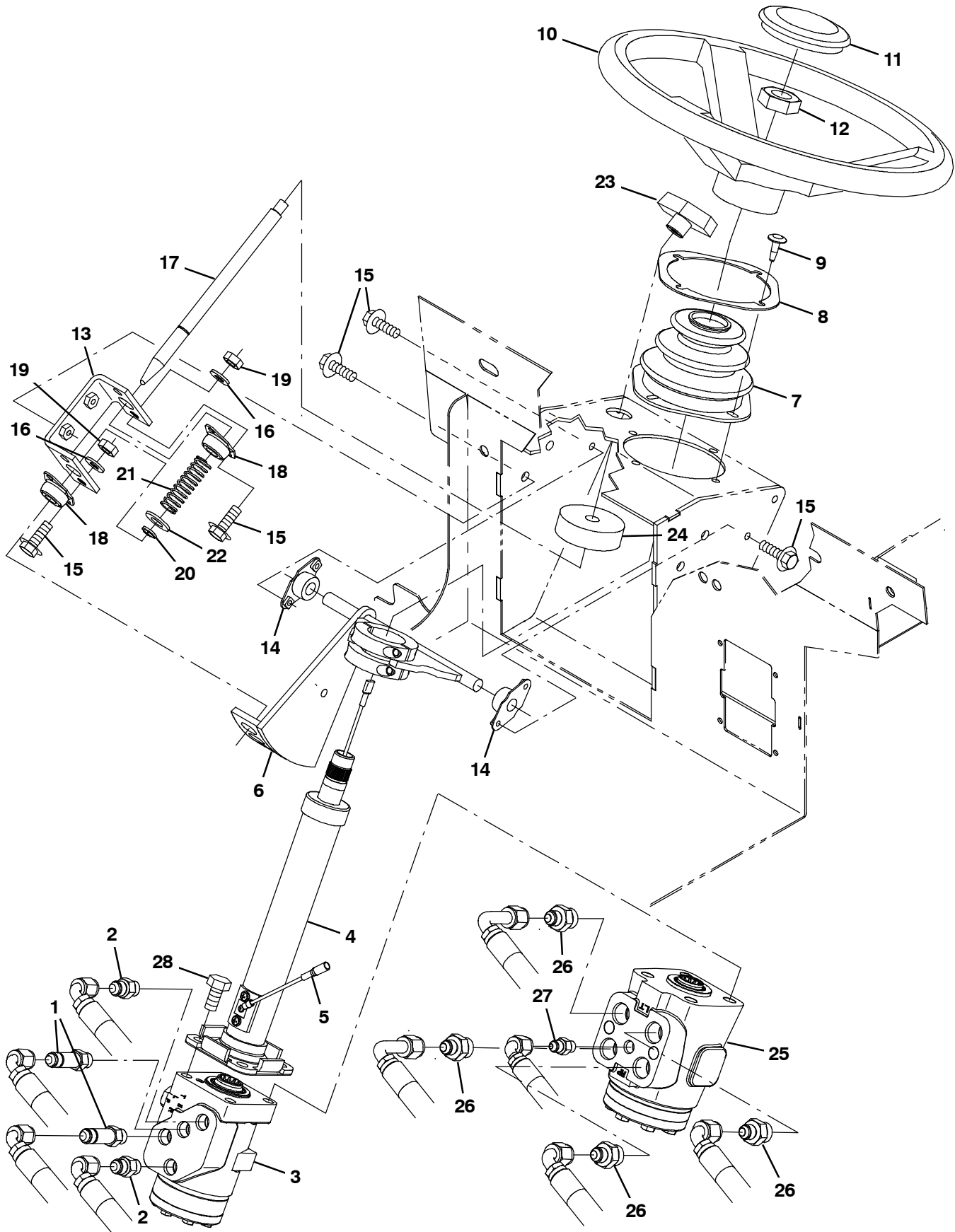


Fig. 12 - Steering Group

Ref.	Part No.	Serial Number	Description	Qty.	
1	771090	(006501-) Fitting, Hyd, Str, Fm06/Om06, Long	1	
2	762433	(006501-) Fitting, Hyd, Str, Fm06/Om06	1	
3	1024260	(006501-) Steer- Control, Hyd05, 06.1 2030	1	
▽	4	1021265	(006501-) Column, Steering, 09.9l 0.86d 36tooth	1
▲	5	388153	(006501-) Contact Kit, W/ Brush [En]	1
6	1058784	(006501-) Bracket Wldt, Steering, Tilt	1	
7	70622	(006501-) Boot, Bellows, 3.1l 4.4w 2.8h 1hole, Neo	1	
8	70623	(006501-) Retainer, Boot, Steering Column	1	
9	72970	(006501-) Rivet, Plstc, .250d X 0.90	4	
10	1058996	(006501-) Wheel, Steering, 14.0d 0.81b 36tooth	1	
11	1024478	(006501-) Button, Cntrl, Horn	1	
12	56185	(006501-) Nut, Hex, Jam, M20 X 1.5	1	
13	1058807	(006501-) Flange, Brg, Mount	1	
14	70709	(006501-) Bearing, Flng, 2hole, 0.50b	2	
15	1040467	(006501-) Screw, Hex, M6 X 1.00 X 20, 9.8, Sems	8	
16	32483	(006501-) Washer, Flat, 0.25, Sae	4	
17	1058785	(006501-) Pin, Locking, Steering, Tilt [S30]	1	
18	47585	(006501-) Bearing, Flng, 2hole, 0.50b [Nyl]	2	
19	08708	(006501-) Nut, Hex, Lock, M6 X 1.00, NI	4	
20	70717	(006501-) Ring, Retaining, Ext, 0.50d, Hd	1	
21	22290	(006501-) Spring, Cmpr, 0.72od .06wir 02.3l	1	
22	32486	(006501-) Washer Flat,0.50,Sae	1	
23	04706	(006501-) Knob, Tee, 0.38- 16, 2.5 X 1.0 1.1l,Plstc	1	
24	75968	(006501-) Insulation, Acstc, Rnd, 0.8, 02.5d 0.5h	1	
▽	25	1033969	(006501-) Steer- Control, Hyd#10 04.5 4000 (S30 X4 Only)	1
▲	373704	(006501-) Steer- control, Info, Repair	1	
▲	373619	(006501-) Seal Kit, Scu	1	
26	762438	(006501-) Fitting, Hyd, Str, Fm06/Om08 (S30 X4 Only)	4	
27	762428	(006501-) Fitting, Hyd, Str, Fm04/Om04 (S30 X4 Only)	1	
28	06961	(006501-) Screw, Hex, M10 X 1.50 X 20, 8.8	4	

Fig. 13 - Engine and Mount Group, Diesel

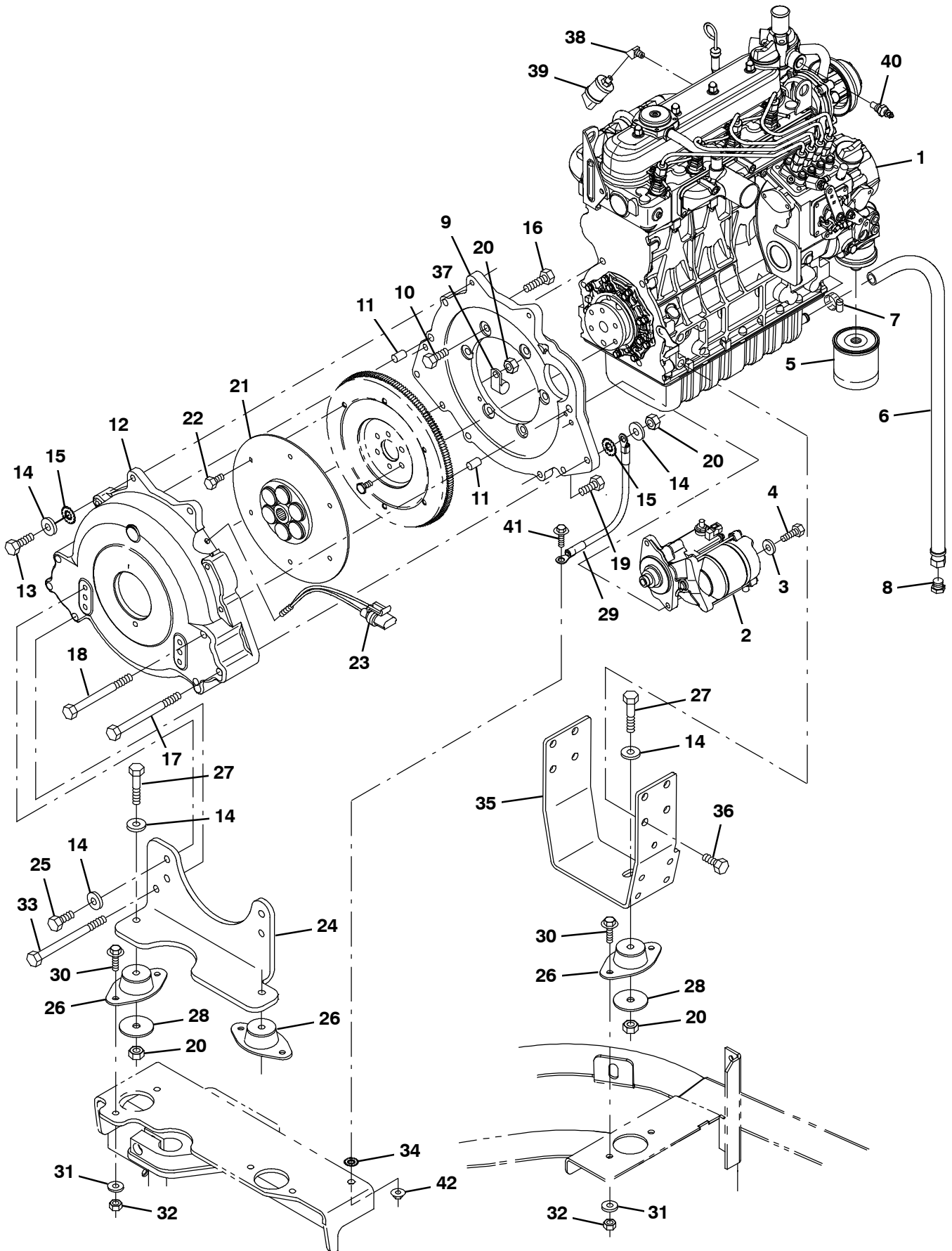


Fig. 13 - Engine and Mount Group, Diesel

Ref.	Part No.	Serial Number	Description	Qty.
▽	1	1072224	(006501-) Engine Assy, Dsl, 25hp [Ku V1505 Tier4f] (See Engine Breakdown)	1
▲	2	74405	(006501-) Motor, Starter, 12vdc [Kubota] (See Engine Breakdown)	1
▲	3	39349	(006501-) Washer, Flat, 0.31, Sae	2
▲	4	76570	(006501-) Screw, Hex, M8 X 1.25 X 30, 8.8	2
▲	5	55849	(006501-) Element, Fltr, Oil, Eng, Spin- On[Ku]	1
	6	1027273	(006501-) Hose, 0300, 08, Jf08str / None, 19.0	1
	7	63810	(006501-) Clamp, Hose, Wormdrive, 0.56- 1.06d, .56w	1
	8	16376	(006501-) Fitting, Hyd, Plug, Jm08	1
	9	55837	(006501-) Adapter, Hsng, Flywheel [1505, Kubo]	1
	10	07299	(006501-) Screw, Hex, M10 X 1.25 X 25, 8.8	6
	11	54911- 16	(006501-) Pin, Dowel, Cyl Block [1pk=4]	2
	12	1035999	(006501-) Housing, Flywheel, Mach, Dsl, 3 Wheel (S30 Only)	1
	12	1032919	(006501-) Housing, Flywheel, Mach, Dsl, 4 Wheel (S30 X4 Only)	1
	13	39284	(006501-) Screw, Hex, M10 X 1.50 X 35, 8.8	3
	14	32492	(006501-) Washer, Flat, 0.38, Std	13
	15	41142	(006501-) Washer, Lock, Int- Ext, 0.38	3
	16	39285	(006501-) Screw, Hex, M10 X 1.50 X 40, 8.8	1
	17	06966	(006501-) Screw, Hex, M10 X 1.50 X 110, 8.8	4
	18	34877	(006501-) Screw, Hex, M10 X 1.50 X 100, 8.8	1
	19	03192	(006501-) Screw, Hex, M10 X 1.50 X 30, 8.8	2
	20	41430	(006501-) Nut, Hex, Lock, M10 X 1.5, NI	9
	21	19252	(006501-) Coupling, Drive, Flex, 09.5d /13tooth (S30 Only)	1
	21	77214	(006501-) Coupling, Drive, Flex, 09.5d /15tooth (S30 X4 Only)	1
	22	16735	(006501-) Screw, Hex, M8 X 1.25 X 16, 8.8	1
	23	380521	(006501-) Magnet, Pickup	1
	24	1032108	(006501-) Bracket, Mtg, Eng, Rear [Kubota]	1
	25	39283	(006501-) Screw, Hex, M10 X 1.50 X 25, 8.8	4
	26	1029018	(006501-) Isolator, Vib, Fing, 1.3h .4b 2/.34h	3
	27	06963	(006501-) Screw, Hex, M10 X 1.50 X 60, 8.8	3
	28	58228	(006501-) Washer, Flat, 0.44b 2.00d .12, Stl, PI	1
	29	57773	(006501-) Cable, 06ga 13.0l Blk	1
	30	1037354	(006501-) Screw, Hex, M8 X 1.25 X 30, 9.8, Sems	6
	31	32491	(006501-) Washer, Flat, 0.31, Std	6
	32	08709	(006501-) Nut, Hex, Lock, M8 X 1.25, NI	6
	33	06537	(006501-) Screw, Hex, M10 X 1.50 X 120, 8.8, FI	1
	34	41140	(006501-) Washer, Lock, Int- ext, 0.25	1
	35	1032184	(006501-) Bracket, Mtg, Eng [Kubota]	1
	36	58286	(006501-) Screw, Hex, M10 X 1.25 X 20, 8.8	8
	37	30407	(006501-) Clip, Keeper, Open	1
	38	24976	(006501-) Fitting, Brs, E45, Pf02/Pm02	1
	39	1055106	(006501-) Switch, Press, 0006psi Dpdt	1
	40	1050757	(006501-) Switch, Thermostat, Water	1
	41	1036892	(006501-) Screw, Hex, M6 X 1.00 X 25, 9.8 Sems	1
	42	07790	(006501-) Nut, Hex, Fing, M6 X 1.00	1

Fig. 14 - Engine Governor and Electrical Group, Diesel

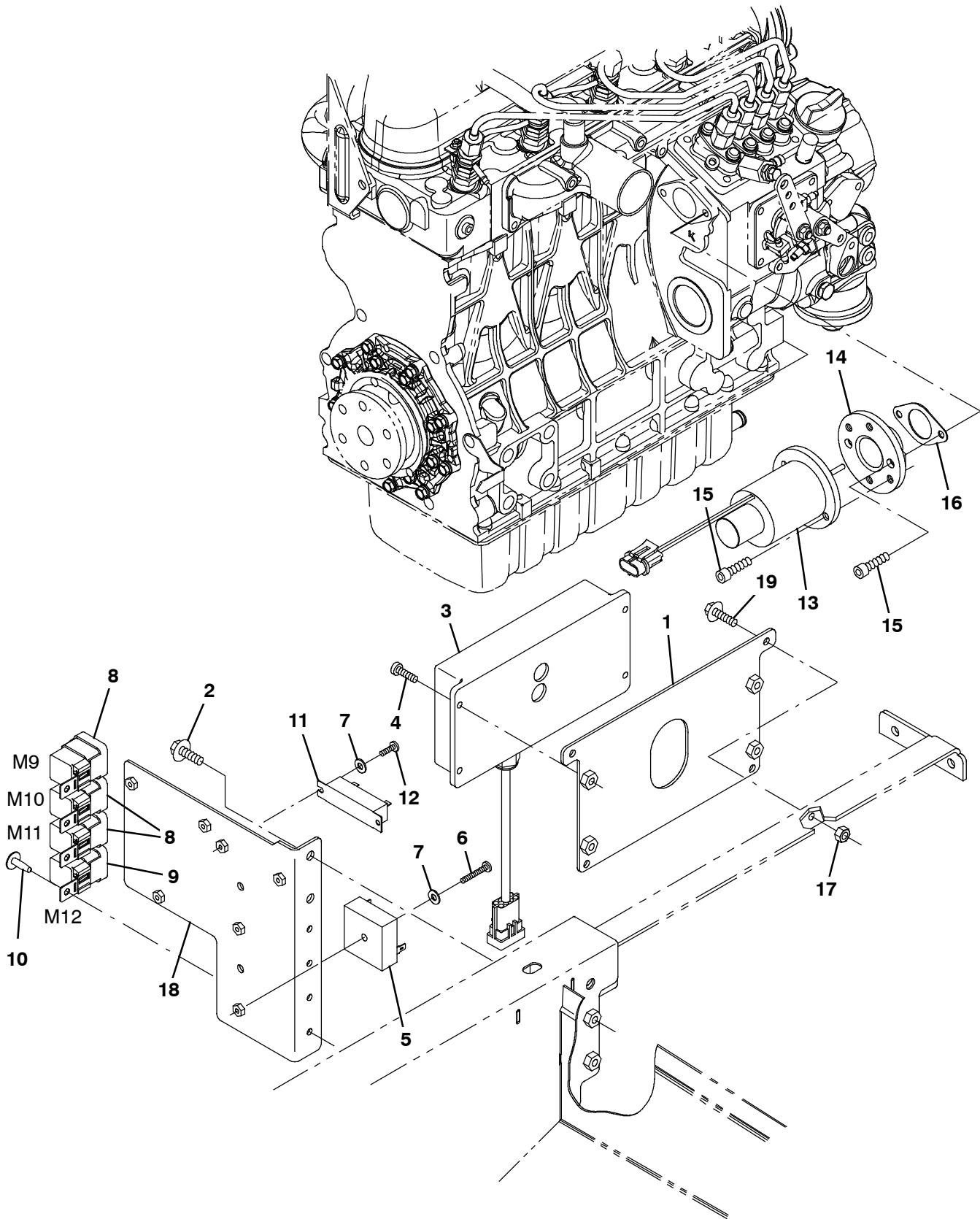


Fig. 14 - Engine Governor and Electrical Group, Diesel

Ref.	Part No.	Serial Number	Description	Qty.
1	1045865	(006501-) Plate, Mtg, Cntrl, Eng	1
2	1037346	(006501-) Screw, Hex, M8 X 1.25 X 25, 9.8, Sems	2
3	1040835	(006501-) Control, Govnr [All Purpose]	1
4	06934	(006501-) Screw, Pan, Phl, M5 X 0.80 X 20, 4.8	4
5	379656	(006501-) Timer, 12vdc, 1a [10s Sgl Shot]	1
6	06938	(006501-) Screw, Pan, Phl, M5 X 0.80 X 40, 4.8	1
7	19066	(006501-) Washer, Flat, 10	3
8	56186	(006501-) Relay, 12vdc, 040a, Spdt No	3
9	380559	(006501-) Relay, 12vdc, 070a, Spst No [Potter]	1
10	72970	(006501-) Rivet, Plstc, .250d X 0.90	4
11	71539	(006501-) Resistor, 022.00ohm, 0040watt	1
12	06933	(006501-) Screw, Pan, Phl, M5 X 0.80 X 16, 4.8	2
13	71385	(006501-) Actuator, Govnr, Dsl	1
14	393401	(006501-) Adapter, Actuator, Govnr, Eng, Dsl	1
15	71388	(006501-) Screw, Soc, M6 X 1.00 X 16, 12.9	4
16	70165	(006501-) Gasket, Solenoid, Throttle [Ku]	1
17	08708	(006501-) Nut, Hex, Lock, M6 X 1.00, NI	2
18	1045999	(006501-) Bracket, Mtg, Cntrl, Eng	1
19	1040467	(006501-) Screw, Hex, M6 X 1.00 X 20, 9.8, Sems	2

Fig. 15 - Engine Fuel Tank Group, Diesel

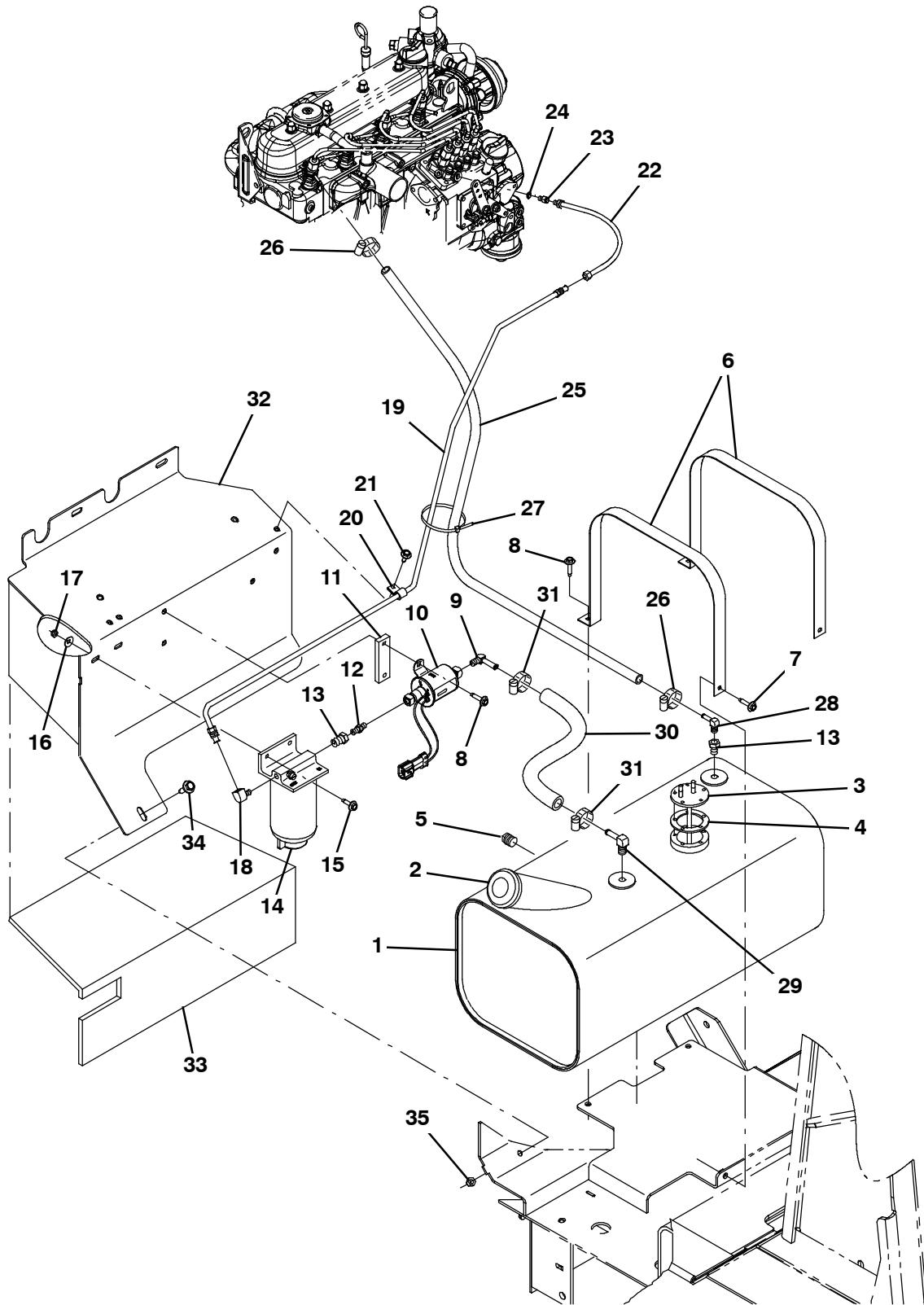


Fig. 15 - Engine Fuel Tank Group, Diesel

	Ref.	Part No.	Serial Number	Description	Qty.
▽	1	1033575	(006501-) Tank, Fuel	1
▲	2	1032812	(006501-) Cap, Fuel, Tank	1
▲	3	1046613	(006501-) Send- Unit, Fuel	1
▲	4	1033897	(006501-) Gasket, Sender, Fuel	1
▲	5	02351	(006501-) Fitting, Pipe, Plug, Pm04, Sq Head	1
	6	1033630	(006501-) Strap, Tank, Fuel	2
	7	1040467	(006501-) Screw, Hex, M6 X 1.0 X 20, 9.8, Sems	2
	8	1037345	(006501-) Screw, Hex, M6 X 1.00 X 30, 9.8, Sems	4
	9	53029	(006501-) Fitting, Brs, E90, Em05/Pm02	1
	10	59015	(006501-) Pump, Fuel	1
	11	364779	(006501-) Bar, Flat, Stl 0.38, 01.00 X 03.3l	1
	12	47566	(006501-) Fitting, Hyd, Str, Pm02/Pm02	1
	13	17414	(006501-) Fitting, Hyd, Str, Pf02/Pm04	2
▽	14	1016827	(006501-) Filter Assy, Fuel, Dsl	1
▲		1017126	(006501-) Element, Fltr, Fuel [Dn]	1
	15	1036892	(006501-) Screw, Hex, M6 X 1.00 X 25, 9.8 Sems	2
	16	32490	(006501-) Washer, Flat, 0.25, Std	2
	17	08708	(006501-) Nut, Hex, Lock, M6 X 1.00, NI	2
	18	15555- 2	(006501-) Fitting, Brs, E90, lf05/Pm04	1
	19	1037786	(006501-) Fuelline, .31d 05if/05if, Stl	1
	20	40678	(006501-) Clamp, Cable, Stl, 0.44d X 0.62w, 1hole	1
	21	1040467	(006501-) Screw, Hex, M6 X 1.0 X 20, 9.8, Sems	1
	22	70173	(006501-) Hose, 0050, 04, lf05str / lm05str, 10.0	1
	23	365066	(006501-) Fitting, Hyd, Str, Metric, Om10/lf05	1
	24	77002	(006501-) Seal, Org, .064 X 00.30id #03	1
	25	72489	(006501-) Hose, Fuel, 0.18id, 54.0l	1
	26	43844	(006501-) Clamp, Hose, Wormdrive, 0.25- 0.62d, .31w	2
	27	49266	(006501-) Tie, Cable, Nyl, 07.3l .19w 1.8 Max D	3
	28	32183	(006501-) Fitting, Brs, E90, Bm03/Pm02	1
	29	9000355	(006501-) Fitting, Brs, E90, Em05/Pm04	1
	30	1033746	(006501-) Hose, Fuel, 0.31id [Evap Emission 07]	1
	31	54333	(006501-) Clamp, Hose, Wormdrive, 0.31- 0.88d, .31w	2
	32	1044992	(006501-) Panel Wldt, Deflector, Heat	1
	33	1035813	(006501-) Insulation, Flame- Retardant, 0.5	1
	34	1037346	(006501-) Screw, Hex, M8 X 1.25 X 25, 9.8, Sems	3
	35	07791	(006501-) Nut, Hex, Flng, M8 X 1.25	3

Fig. 16 - Engine Air Cleaner Group, Diesel

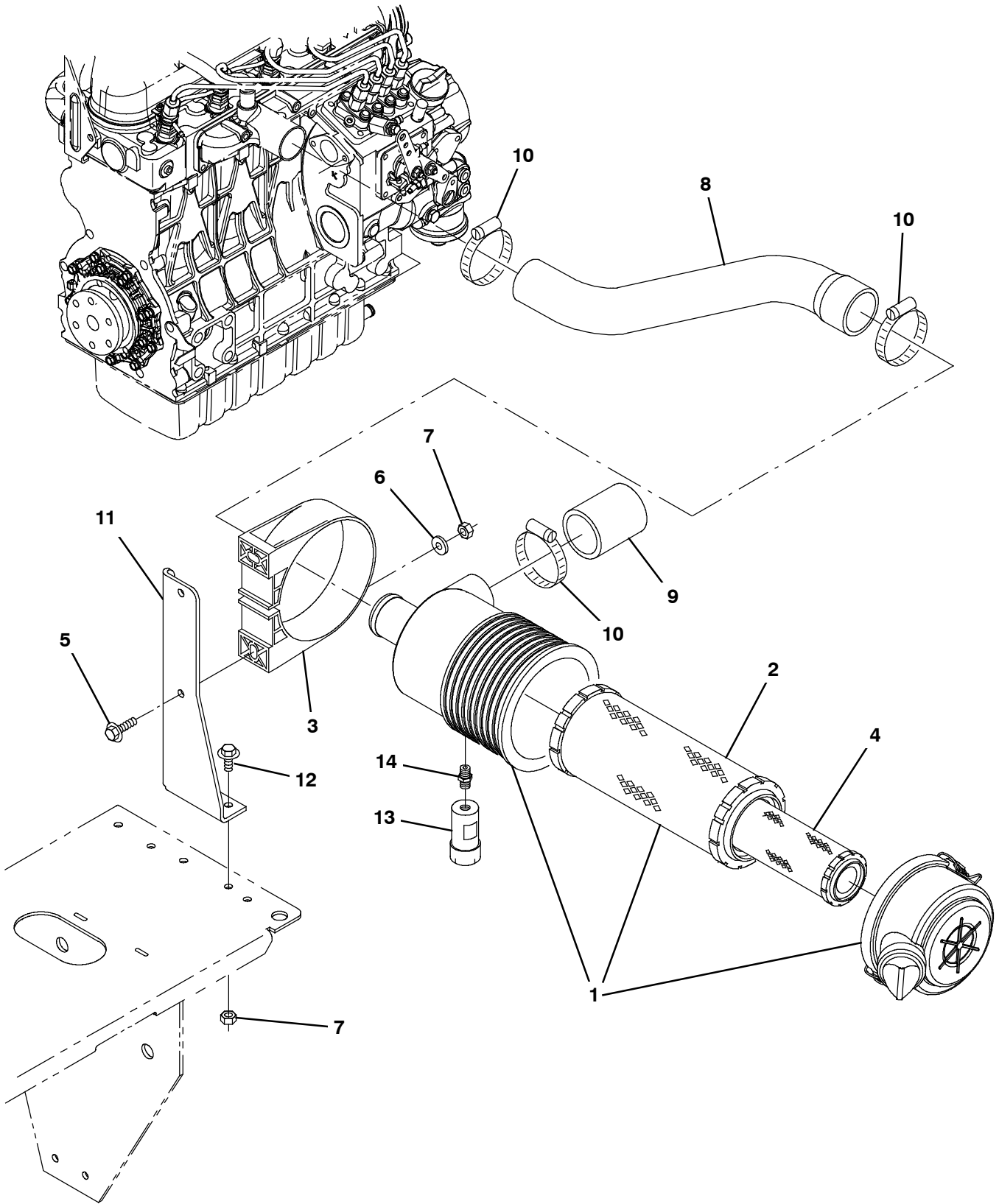


Fig. 16 - Engine Air Cleaner Group, Diesel

	Ref.	Part No.	Serial Number	Description	Qty.
▽	1	1032119	(006501-) Filter, Air, 2.0 Inlet, Str	1
▲	2	369746	(006501-) Element, Fltr, Air [Dn]	1
	3	369747	(006501-) Clamp, Mtg, Fltr, Air	1
	4	398279	(006501-) Element, Fltr, Air, Safety	1
	5	1037355	(006501-) Screw, Hex, M8 X 1.25 X 35, 9.8, Sems	2
	6	32491	(006501-) Washer, Flat, 0.31, Std	2
	7	08709	(006501-) Nut, Hex, Lock, M8 X 1.25, NI	4
	8	1036377	(006501-) Hose, Intake, Mold, 1.75id 2.00id [Epdm]	1
	9	1038209	(006501-) Hose, Rbr, 2.00id 2.50od 02.5l	1
	10	14432	(006501-) Clamp, Hose, Wormdrive, 1.81-2.75d, .50w	3
	11	1057890	(006501-) Bracket, Mtg, Air- Clnr	1
	12	1037354	(006501-) Screw, Hex, M8 X 1.25 X 30, 9.8, Sems	2
	13	03026	(006501-) Indicator, Service, Fltr, Air [20h20 Dn]	1
	14	51560-5	(006501-) Fitting, Brs, Str, Pm02, Service	1

Fig. 17 - Engine Alternator and Battery Group, Diesel

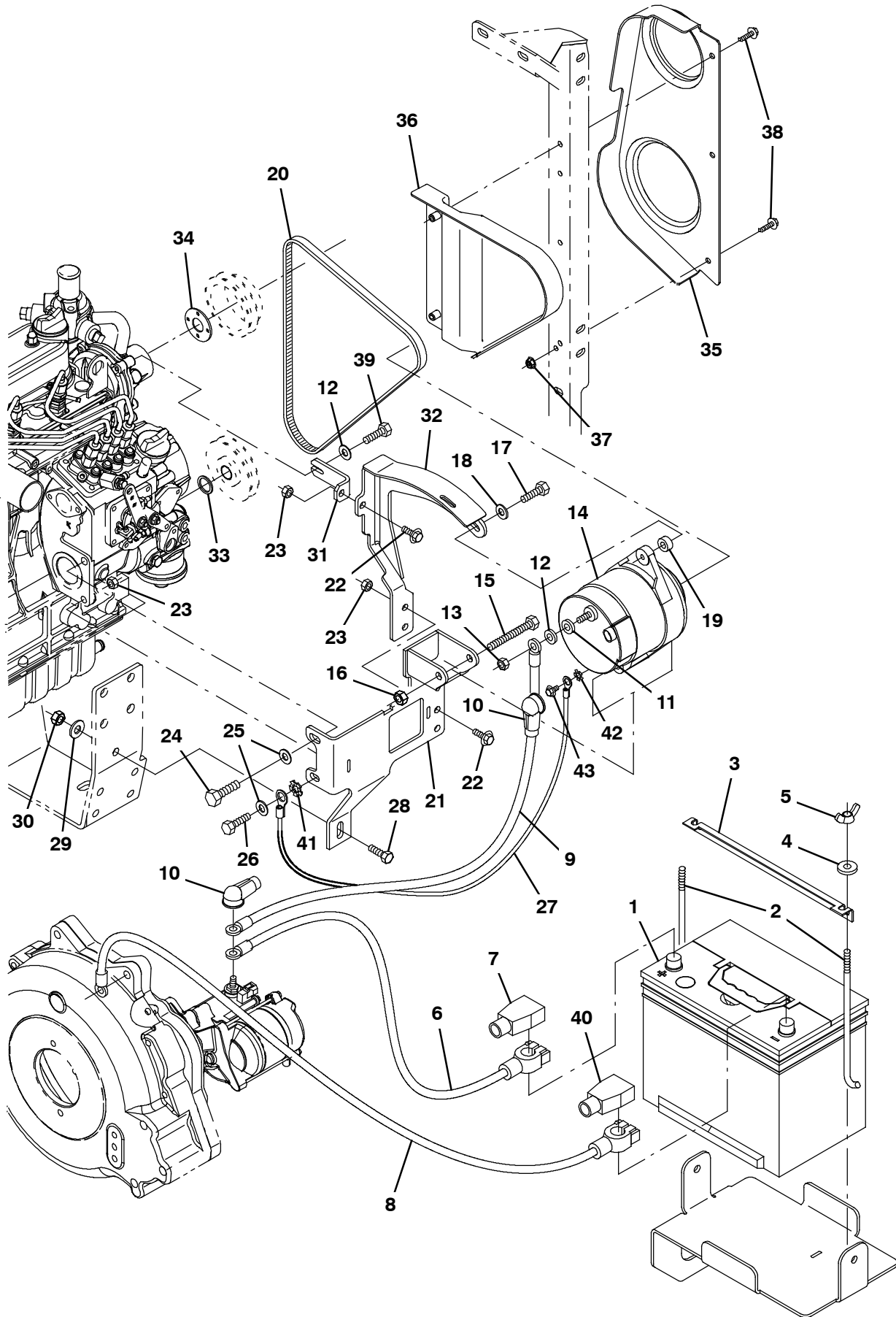


Fig. 17 - Engine Alternator and Battery Group, Diesel

Ref.	Part No.	Serial Number	Description	Qty.
1	10143	(006501-) Battery, Wet, 12vdc 0600cca	1
2	13015	(006501-) Bolt, Hold- Down, Battery 08.5l	2
3	72977	(006501-) Bracket, Angle, Hold- Down, Battery	1
4	01685	(006501-) Washer, Flat, 0.38b 0.88d .08, Ss	2
5	39272	(006501-) Nut, Wing, .31- 18	2
6	34823	(006501-) Cable, Battery, 02ga 33.0l Red .38ring	1
7	1016314	(006501-) Boot, 90deg .50id 1.00id 2.50l, Red	1
8	34821	(006501-) Cable, Battery, 02ga 36.0l Blk .38ring	1
9	1029689	(006501-) Cable, 06ga 16.0l Red .38ring /.38ring	1
10	1016314	(006501-) Boot, 90deg .50id 1.00id 2.50l, Red	2
11	32984	(006501-) Washer, Lock, Int, 0.31	1
12	39349	(006501-) Washer, Flat, 0.31, Sae	1
13	41361	(006501-) Nut, Hex, Std, M8 X 1.25, Brs	1
14	392611	(006501-) Alternator, 12vdc, 075a [Valeo]	1
15	35707	(006501-) Screw, Hex, .38- 16 X 3.00, G5	1
16	36643	(006501-) Nut, Hex, Lock, .38- 16, NI, Thin	1
17	76956	(006501-) Screw, Hex, .31- 18 X 1.25, G5	1
18	41186	(006501-) Washer, Flat, Belleville, .31	1
19	73737	(006501-) Tube, 0.38id 0.75od 00.3l, Ss	1
20	393244	(006501-) Belt, V, 42.0l [Hc41]	1
21	1036844	(006501-) Bracket Wldt, Mtg, Alternator, Dsl	1
22	1037346	(006501-) Screw, Hex, M8 X 1.25 X 25, 9.8, Sems	3
23	08709	(006501-) Nut, Hex, Lock, M8 X 1.25, NI	4
24	58286	(006501-) Screw, Hex, M10 X 1.25 X 20, 8.8	1
25	39349	(006501-) Washer, Flat, 0.31, Sae	2
26	41342	(006501-) Screw, Hex, M8 X 1.25 X 40, 8.8	1
27	31525	(006501-) Wire, 10ga 16.0l Blk .25ring /.38ring	1
28	39283	(006501-) Screw, Hex, M10 X 1.50 X 25, 8.8	1
29	32492	(006501-) Washer, Flat, 0.38, Std	1
30	41430	(006501-) Nut, Hex, Lock, M10 X 1.5, NI	1
31	1036859	(006501-) Bracket, Sppt, Alternator, Dsl	1
32	1036847	(006501-) Arm Wldt, Alternator, Dsl	1
33	1039208	(006501-) Washer, Flat, 1.10b 1.50d .12, Stl, Pl	1
34	1039212	(006501-) Spacer, Fan	1
35	9004523	(006501-) Guard, Belt, Dsl, W/ Label, Replmt	1
36	9004522	(006501-) Guard, Belt, Dsl, W/ Label, Replmt	1
37	07790	(006501-) Nut, Hex, Flng, M6 X 1.00	1
38	1036892	(006501-) Screw, Hex, M6 X 1.00 X 25, 9.8 Sems	3
39	39277	(006501-) Screw, Hex, M8 X 1.25 X 25, 8.8	1
40	68872	(006501-) Boot, Terminal, Battery, 02- 01ga, Blk	1
41	41141	(006501-) Washer, Lock, Int- ext, 0.31	1
42	41139	(006501-) Washer, Lock, Int- ext, 10	1
43	42011	(006501-) Screw, Hex, 10- 24 X 0.50, Ss	1

Fig. 18 - Engine Muffler Group, Diesel S30 and XP

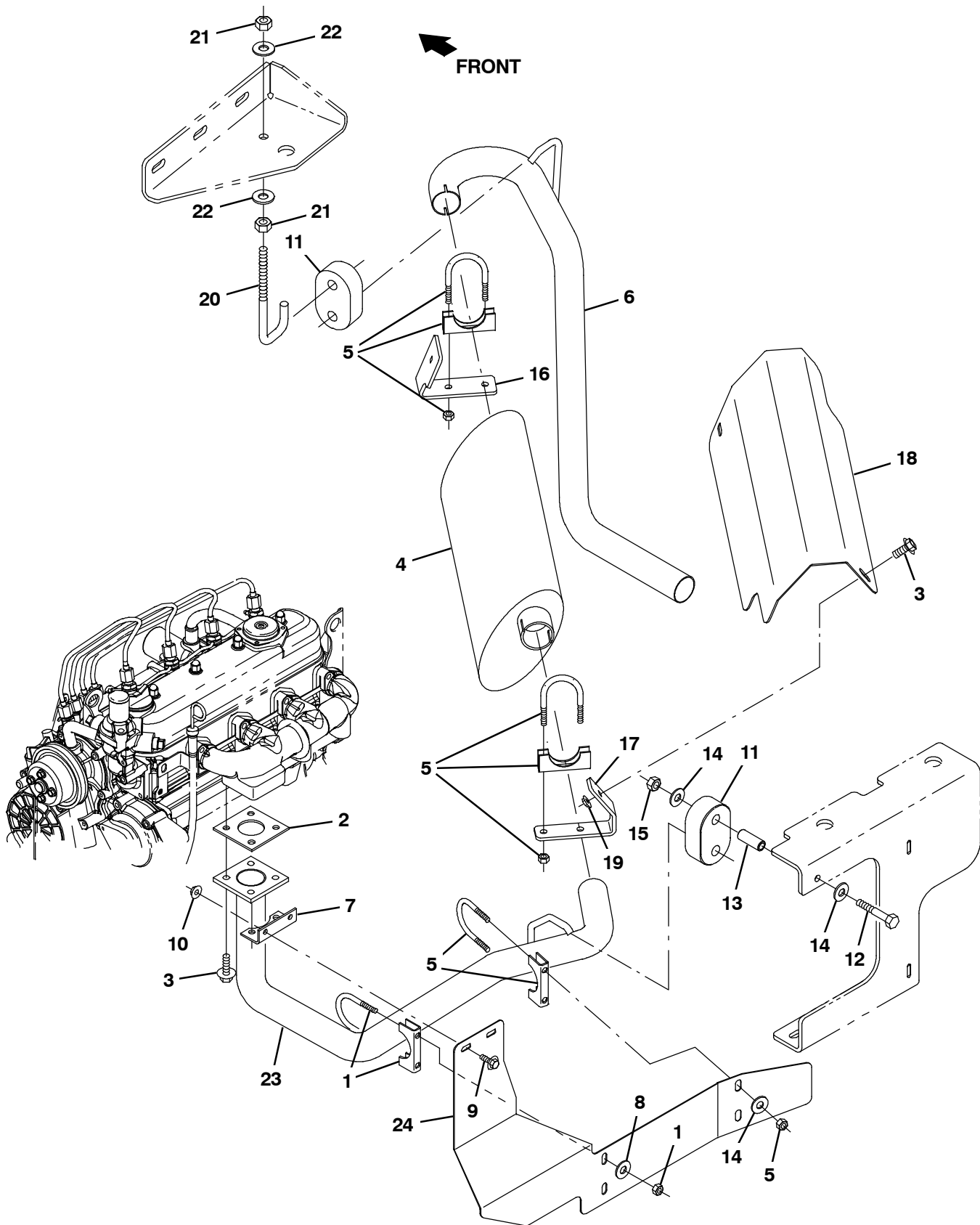


Fig. 18 - Engine Muffler Group, Diesel S30 and XP

Ref.	Part No.	Serial Number	Description	Qty.
1	24012	(006501-) Clamp, Muffler, 1.62d	1
2	51332	(006501-) Gasket [Ku]	1
3	1037346	(006501-) Screw, Hex, M8 X 1.25 X 25, 9.8, Sems	6
4	364805	(006501-) Muffler, Exhaust	1
5	24012	(006501-) Clamp, Muffler, 1.62d	3
6	1035857	(006501-) Tube, Exhaust, Tailpipe, 3 Wheel	1
7	1036103	(006501-) Bracket, Mtg, Heat Shield	1
8	32491	(006501-) Washer, Flat, 0.31, Std	2
9	1040467	(006501-) Screw, Hex, M6 X 1.0 X 20, 9.8, Sems	2
10	07790	(006501-) Nut, Hex, Flng, M6 X 1.00	2
11	1013031	(006501-) Isolator, Rbr	2
12	39278	(006501-) Screw, Hex, M8 X 1.25 X 50, 8.8	1
13	222497	(006501-) Sleeve, P/M, 0.31b 0.50d 1.3l [430ss]	1
14	32491	(006501-) Washer, Flat, 0.31, Std	4
15	08709	(006501-) Nut, Hex, Lock, M8 X 1.25, NI	1
16	1043613	(006501-) Bracket, Mtg, Heat Shield	1
17	1043610	(006501-) Bracket, Mtg, Heat Shield	1
18	1027148	(006501-) Channel, Shield, Muffler	1
19	07791	(006501-) Nut, Hex, Flng, M8 X 1.25	2
20	1013117	(006501-) Rod, Hanger, Isolator	1
21	25014	(006501-) Nut, Hex, Std, .38- 16	2
22	32492	(006501-) Washer, Flat, 0.38, Std	2
23	1059532	(006501-) Tube Wldt, Exhaust, Dsl [Roto Cover]	1
24	9004517	(006501-) Shield, Heat, Dsl, W/ Label, Replmt	1

Fig. 19 - Engine Muffler Group, Diesel S30 X4

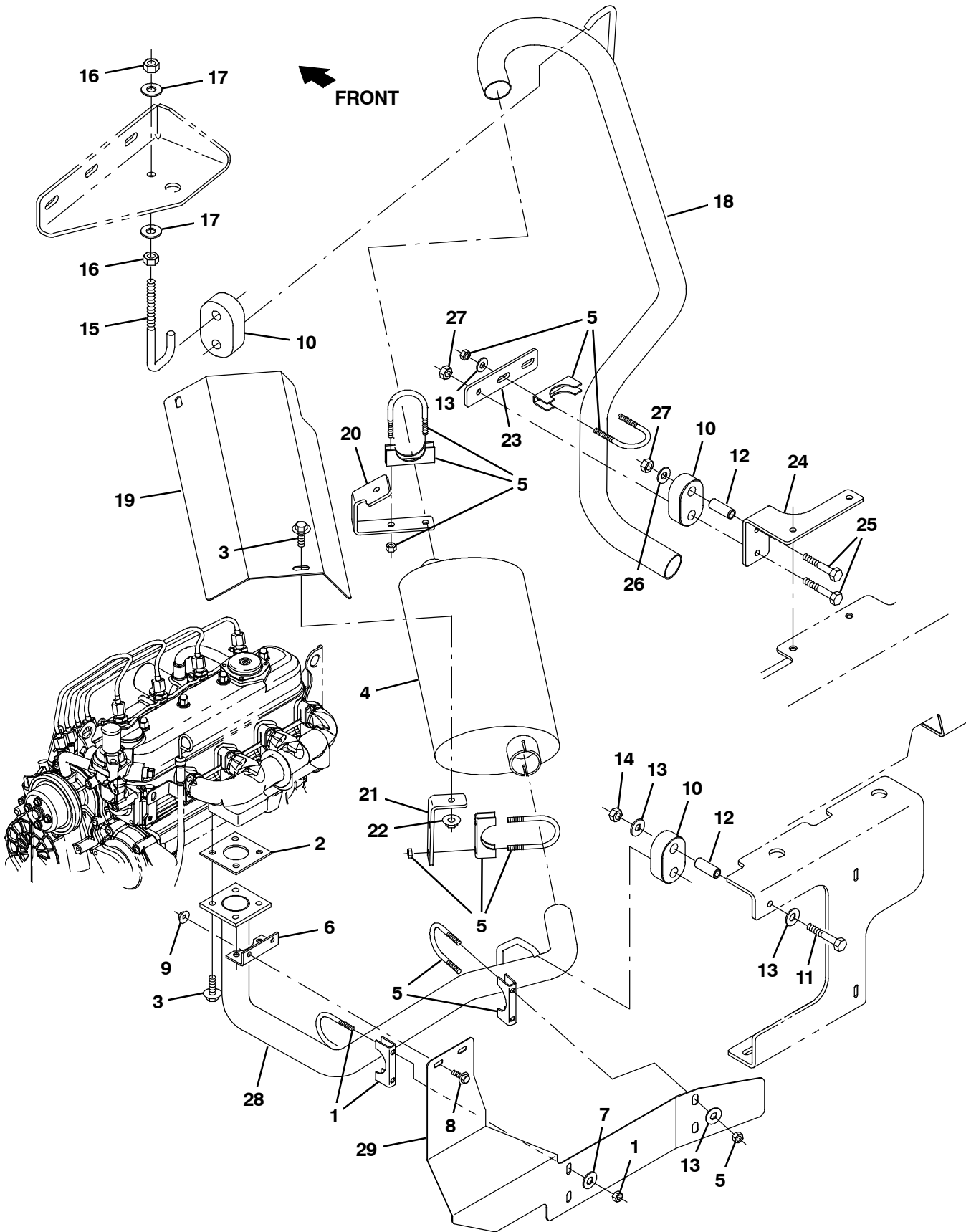


Fig. 19 - Engine Muffler Group, Diesel S30 X4

Ref.	Part No.	Serial Number	Description	Qty.
1	24012	(006501-) Clamp, Muffler, 1.62d	1
2	51332	(006501-) Gasket [Ku]	1
3	1037346	(006501-) Screw, Hex, M8 X 1.25 X 25, 9.8, Sems	6
4	364805	(006501-) Muffler, Exhaust	1
5	24012	(006501-) Clamp, Muffler, 1.62d	4
6	1036103	(006501-) Bracket, Mtg, Heat Shield	1
7	32491	(006501-) Washer, Flat, 0.31, Std	2
8	1040467	(006501-) Screw, Hex, M6 X 1.0 X 20, 9.8, Sems	2
9	07790	(006501-) Nut, Hex, Flng, M6 X 1.00	2
10	1013031	(006501-) Isolator, Rbr	3
11	39278	(006501-) Screw, Hex, M8 X 1.25 X 50, 8.8	1
12	222497	(006501-) Sleeve, P/M, 0.31b 0.50d 1.3l [430ss]	2
13	32491	(006501-) Washer, Flat, 0.31, Std	5
14	08709	(006501-) Nut, Hex, Lock, M8 X 1.25, NI	1
15	1013117	(006501-) Rod, Hanger, Isolator	1
16	25014	(006501-) Nut, Hex, Std, .38- 16	2
17	32492	(006501-) Washer, Flat, 0.38, Std	2
18	1039290	(006501-) Tube, Exhaust, Tailpipe, 4 Wheel	1
19	1039295	(006501-) Channel, Shield, Muffler	1
20	1044752	(006501-) Bracket, Mtg, Heat Shield	1
21	1044754	(006501-) Bracket, Mtg, Heat Shield	1
22	07791	(006501-) Nut, Hex, Flng, M8 X 1.25	2
23	1039388	(006501-) Bracket, Mtg, Isolator	1
24	1039389	(006501-) Bracket, Mtg, Isolator	1
25	16930	(006501-) Screw, Hex, M10 X 1.50 X 50, 8.8	2
26	32493	(006501-) Washer, Flat, 0.50, Std	1
27	41430	(006501-) Nut, Hex, Lock, M10 X 1.5, NI	2
28	1059532	(006501-) Tube Wldt, Exhaust, Dsl [Roto Cover]	1
29	9004517	(006501-) Shield, Heat, Dsl, W/ Label, Replmt	1

Fig. 20 - Engine Radiator Hoses Group, Diesel

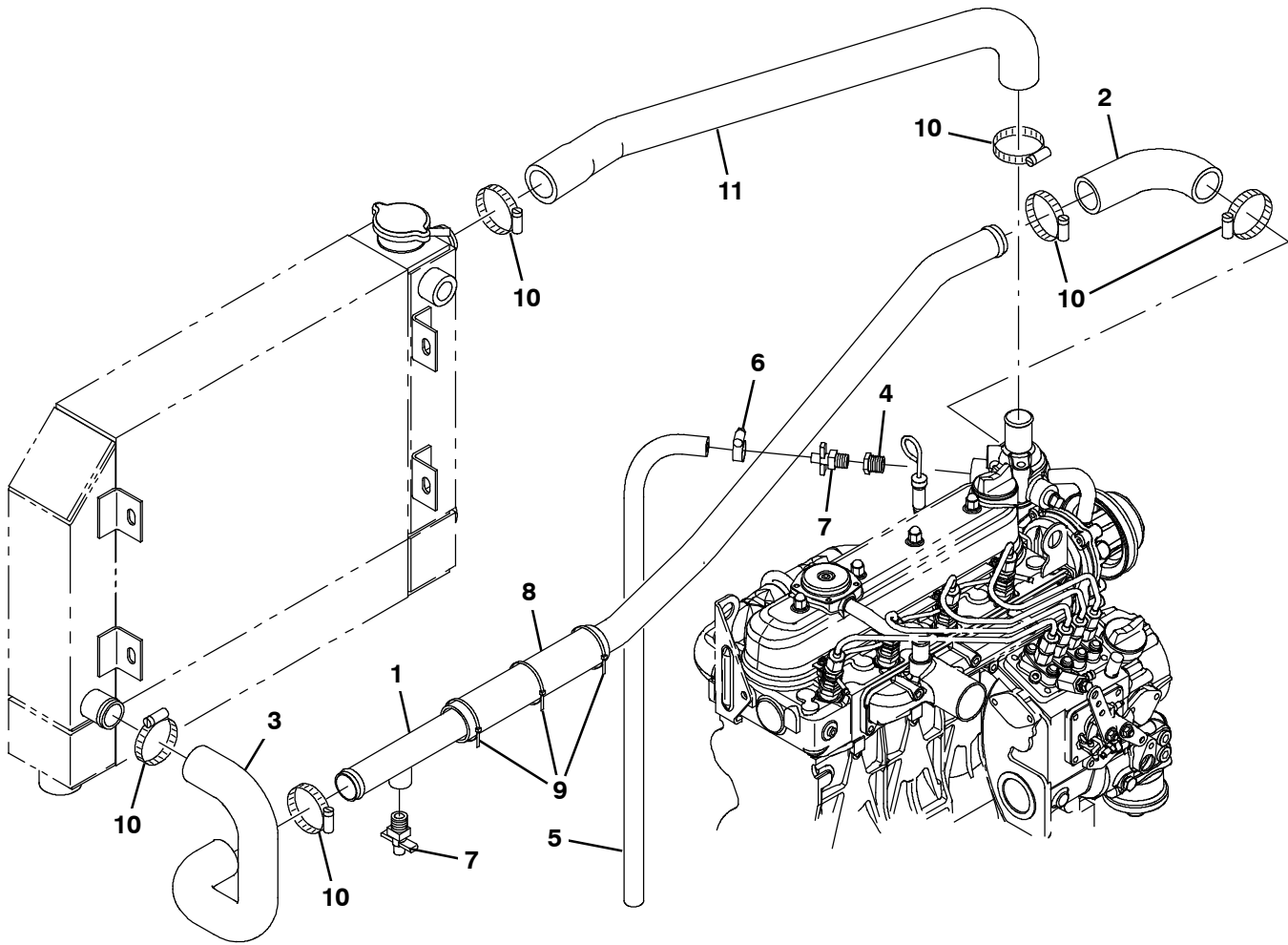


Fig. 20 - Engine Radiator Hoses Group, Diesel

Ref.	Part No.	Serial Number	Description	Qty.
1	1059468	(006501-) Tube, Coolant, Lower, Dsl [Roto- mold]	1
2	1038570	(006501-) Hose, Rbr, E90, 1.25id 1.25id 04.2 02.6	1
3	1055029	(006501-) Hose, Rbr, 1.25id 1.25id	1
4	150006	(006501-) Fitting, Brs, Str, Pf04/Pm06, Bshg	1
5	73471	(006501-) Hose, Pvc, Clr, 0.38id 0.56od 022.0l	1
6	43844	(006501-) Clamp, Hose, Wormdrive, 0.25- 0.62d, .31w	1
7	54911- 32	(006501-) Fitting, Draincock, .25npt	2
8	762180	(006501-) Guard, Hose, Rbr, 8.0l	1
9	44961	(006501-) Tie, Cable, Nyl, 14.5l .30w 4.0 Max D	3
10	79381	(006501-) Clamp, Hose, Wormdrive, 1.25- 2.00d, .50w	6
11	1031820	(006501-) Hose, Coolant, Upper, Dsl	1

Fig. 21 - Engine Radiator Mount and Fan Group

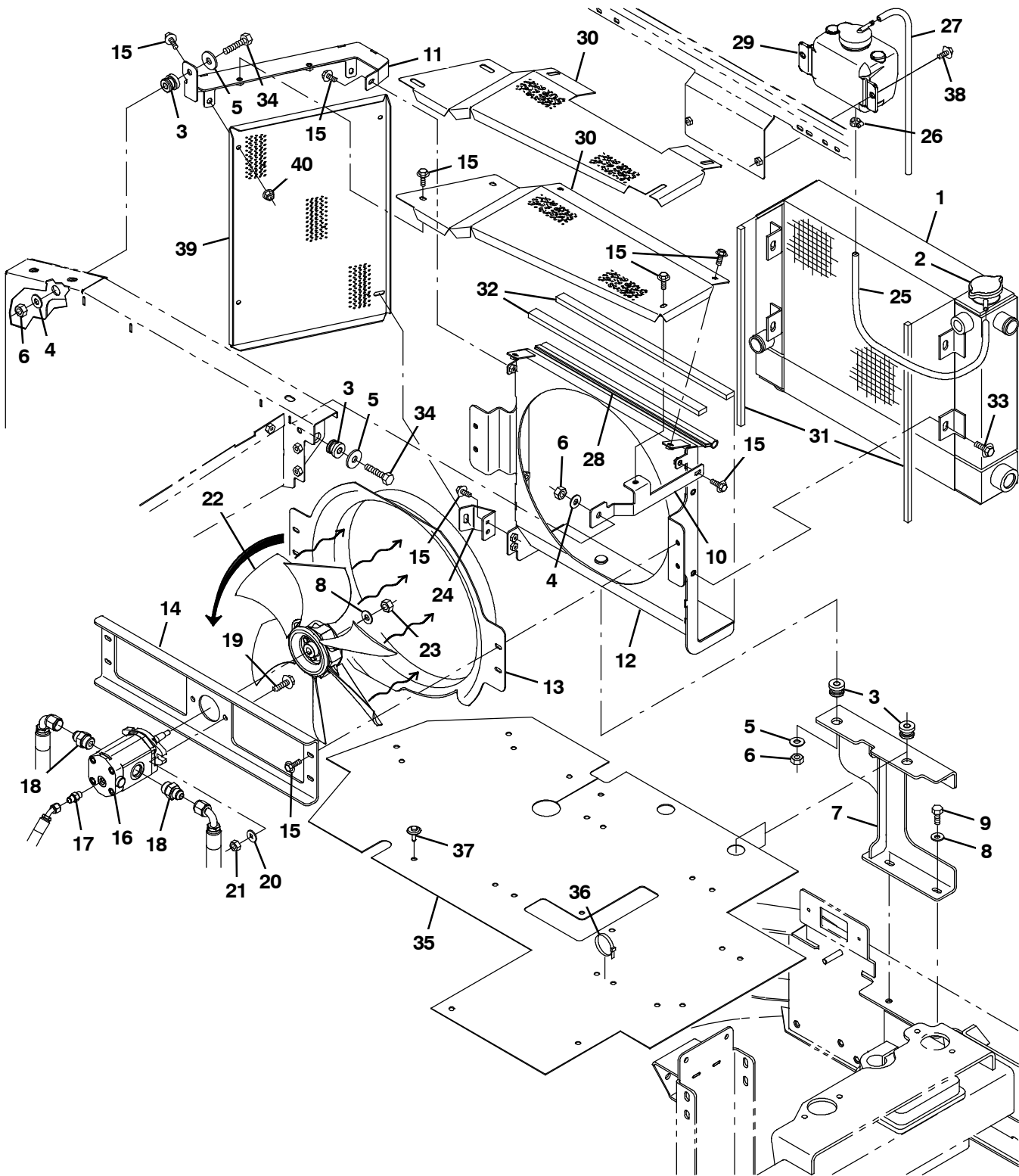


Fig. 21 - Engine Radiator Mount and Fan Group

Ref.	Part No.	Serial Number	Description	Qty.
1	1051863	(006501-) Radiator, W/ Hyd Cooler [Side X Side]	1
2	1045764	(006501-) Cap, Radiator, 14psi [Stant Ao- 2516]	1
3	54274	(006501-) Isolator, Vib, Bshg, 1.1d 0.6l .4b 0.78h	4
4	32492	(006501-) Washer, Flat, 0.38, Std	2
5	1014563	(006501-) Washer, Flat, 0.40b 1.12d .12, Ss	3
6	41430	(006501-) Nut, Hex, Lock, M10 X 1.5, NI	4
7	1027589	(006501-) Bracket Wldt, Mtg, Radiator	1
8	32491	(006501-) Washer, Flat, 0.31, Std	3
9	39277	(006501-) Screw, Hex, M8 X 1.25 X 25, 8.8	2
10	1058670	(006501-) Bracket, Sppt, Radiator	1
11	1058404	(006501-) Bracket Wldt, Sppt, Radiator, Rh	1
12	1055564	(006501-) Bracket Wldt, Radiator (S30 and XP only)	1
12	1052552	(006501-) Bracket Wldt, Radiator (S30 X4 only)	1
13	1054428	(006501-) Shroud, Fan	1
14	1060343	(006501-) Bracket Wldt, Mtg, Motor (S30 and XP only)	1
14	1030306	(006501-) Channel, Mtg, Fan Motor (S30 X4 only)	1
15	1036892	(006501-) Screw, Hex, M6 X 1.00 X 25, 9.8 Sems	15
16	1031026	(006501-) Motor, Hyd, Gear, Ext 0.67 Rh 2500	1
17	762428	(006501-) Fitting, Hyd, Str, Fm04/Om04	1
18	762456	(006501-) Fitting, Hyd, Str, Fm08/Om10	2
19	1037355	(006501-) Screw, Hex, M8 X 1.25 X 35, 9.8, Sems	2
20	39349	(006501-) Washer, Flat, 0.31, Sae	2
21	08709	(006501-) Nut, Hex, Lock, M8 X 1.25, NI	2
22	1031566	(006501-) Fan, Cooling, 14.1d, 6 Blade, 0.5b Taper	1
23	32960	(006501-) Nut, Hex, Lock, .31- 24, NI	1
24	1055002	(006501-) Bracket, Mtg, Condenser	1
25	381391	(006501-) Hose, Drain, Overflow, Radiator	1
26	43844	(006501-) Clamp, Hose, Wormdrive, 0.25- 0.62d, .31w	1
27	87738	(006501-) Hose, Fuel, 0.18id, 29.0l	1
28	1031623	(006501-) Seal, Afmkt, Bulb, Str, .50d F/11ga 02ft	1
29	1054382	(006501-) Tank, Coolant, 03.6w 04.1hi 05.5l, 1liter	1
30	1059052	(006501-) Guard, Fan (S30 and XP only)	1
30	1074093	(006501-) Guard, Fan (S30 X4 only)	1
31	1015205	(006501-) Seal, Afmkt, Ure, Adh, 0.38, 0.38w 02ft	2
32	1015314	(006501-) Seal, Afmkt, Bulb, Adh 0.38, 0.75w 02ft	2
33	1037346	(006501-) Screw, Hex, M8 X 1.25 X 25, 9.8, Sems	4
34	06962	(006501-) Screw, Hex, M10 X 1.50 X 45, 8.8	1
35	1061498	(006501-) Skirt, Neo, .06, 30.00w 41.00l [3 Wheel] (S30 and XP only)	1
35	1061503	(006501-) Skirt, Neo, .06, 30.00w 41.00l [4 Wheel] (S30 X4 only)	1
36	49266	(006501-) Tie, Cable, Nyl, 07.3l .19w 1.8 Max D	8
37	72968	(006501-) Rivet, Plstc, .250d X 0.90	3
38	1040467	(006501-) Screw, Hex, M6 X 1.00 X 20, 9.8, Sems	2
39	1060009	(006501-) Guard, Fan	1
40	07790	(006501-) Nut, Hex, Flng, M6 X 1.00	3

Fig. 22 - Wheel Group, Rear Drive S30 and XP

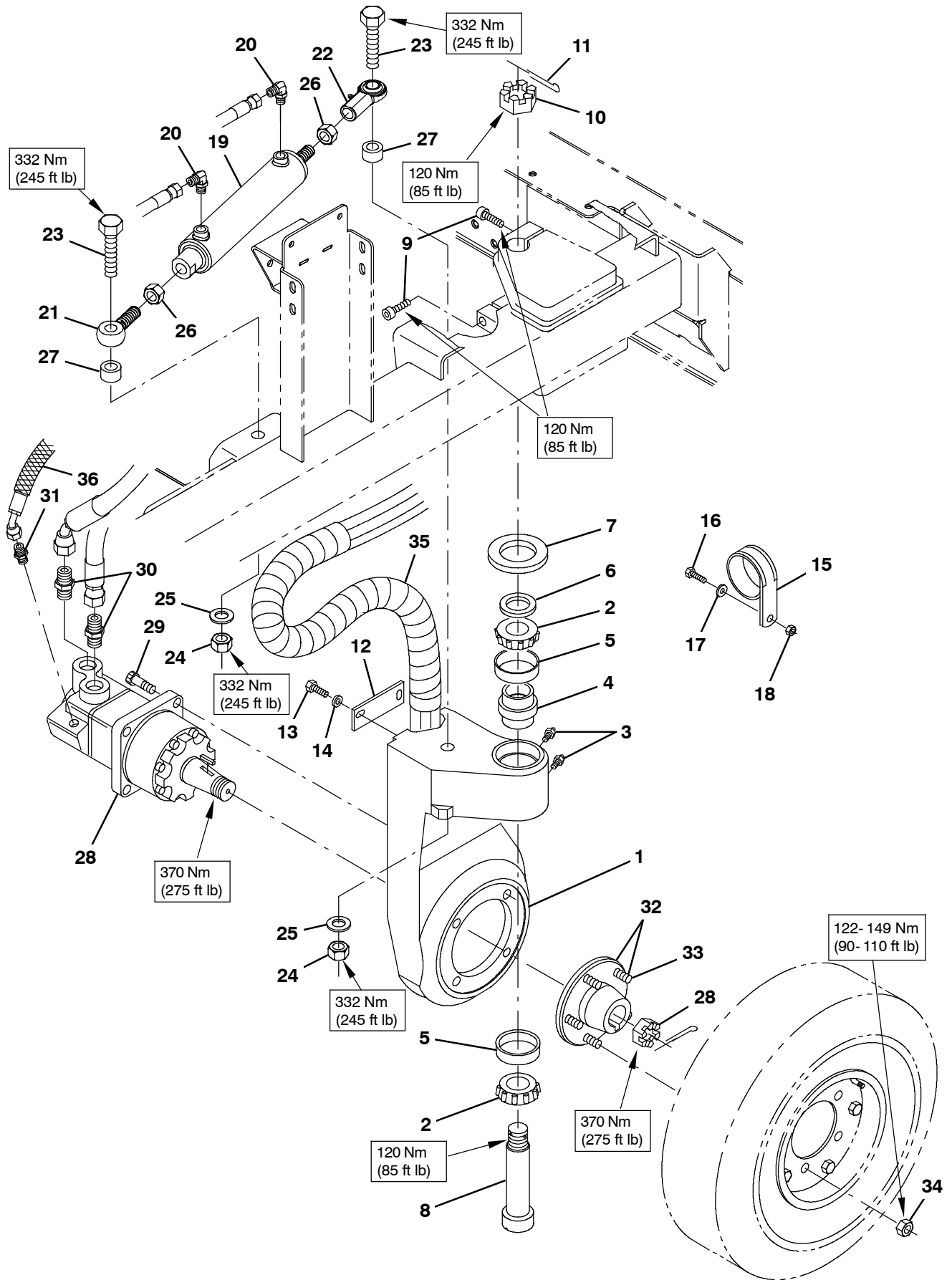


Fig. 22 - Wheel Group, Rear Drive S30 and XP

Ref.	Part No.	Serial Number	Description	Qty.	
1	1071053	(006501-) Housing, Sppt, Drive	1	
2	51339	(006501-) Bearing, Cone, 1.38b 0.71w	2	
3	47801	(006501-) Fitting, Grease, Str Pm04 .63l	2	
4	374560	(006501-) Seal, Drive, Rear, Grease Cav	1	
5	51338	(006501-) Bearing, Cup, 2.56d 0.55w	2	
6	54051	(006501-) Washer, Flat, 1.39b 2.12d .13, Stl	1	
7	374563	(006501-) Washer, Flat, 2.16b 3.50d .16, Felt	1	
8	73281	(006501-) Bolt, Shld, 1.37d X 5.13l, 1.1- 18 Drilled	1	
9	72926	(006501-) Screw, Soc, M16 X 2.00 X 50, 12.9	2	
10	54052	(006501-) Nut, Hex, Slt'd, 1.12- 18	1	
11	08329	(006501-) Pin, Cotter, .125 X 2.50	1	
12	58842	(006501-) Bar, Flat, Stl 0.19, 01.50 X 04.1l	1	
13	09011	(006501-) Screw, Hex, M8 X 1.25 X 30, Ss	2	
14	32491	(006501-) Washer, Flat, 0.31, Std	2	
15	70157	(006501-) Clamp, Cable, Ss, 2.50d X 1.00w, 1hole	1	
16	09740	(006501-) Screw, Hex, M8 X 1.25 X 20, Ss	1	
17	39349	(006501-) Washer, Flat, 0.31, Sae	1	
18	07791	(006501-) Nut, Hex, Flng, M8 X 1.25	1	
▽	19	1028492	(006501-) Cylinder, Hyd, 2.0b 15.0l 08.00strk 1500	1
▲		373698	(006501-) Seal Kit	1
20	762432	(006501-) Fitting, Hyd, E90, Fm06/Om06	2	
21	64886	(006501-) Rod- End, 0.75- 16rh Mal 0.75b [Teflon]	1	
22	64887	(006501-) Rod- End, 0.75- 16rh Fem 0.75b	1	
23	1258595	(006501-) Screw, Hex, .75- 10 X 3.75, G5	2	
24	32987	(006501-) Nut, Hex, Std, .75- 10	2	
25	39350	(006501-) Washer, Flat, 0.75, Sae	2	
26	35886	(006501-) Nut, Hex, Jam, .75- 16	2	
27	1034806	(006501-) Tube, 0.77id 1.75od 00.7l, Stl, Pntd	2	
28	1054901	(006501-) Motor, Hyd, Gear, Int 17.1 Bi- Dir 3000 (See Breakdowns)	1	
29	19583	(006501-) Screw, Soc, .50- 13 X 1.50, Al	4	
30	762468	(006501-) Fitting, Hyd, Str, Fm10/Om12	2	
31	762426	(006501-) Fitting, Hyd, Str, Fm04/Om06	1	
▽	32	54087	(006501-) Hub Assy, Wheel, 5 Bolt 4.50bc Taper B	1
▲	33	32126	(006501-) Stud, Wheel, .50- 20 X 1.50l, 0.370th	5
34	24339	(006501-) Nut, Wheel, .50- 20 X 60 Angle	5	
35	1041393	(006501-) Guard, Hose, Wrap, Plstc, 37.0	1	
36	57315	(006501-) Sleeve, Nyl, 2.38id 05.0l	1	

Fig. 23 - Wheel Group, Rear Drive, S30 X4

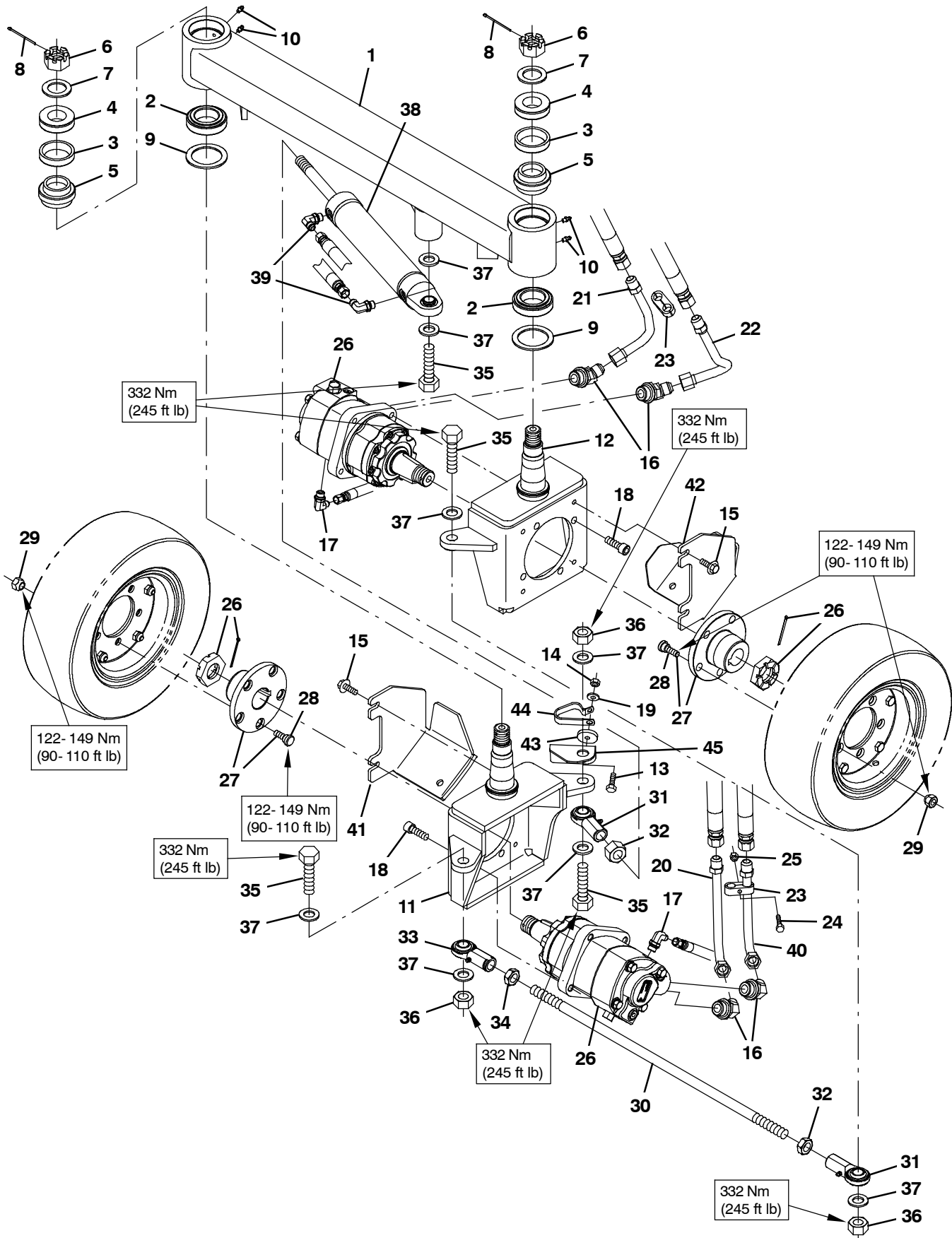


Fig. 23 - Wheel Group, Rear Drive, S30 X4

Ref.	Part No.	Serial Number	Description	Qty.	
1	1022569	(006501-) Axle Wldt, Rear, 4 Wheel	1	
2	1035922	(006501-) Bearing Assy, Cup / Cone, 45mmb	2	
3	51338	(006501-) Bearing, Cup, 2.56d 0.55w	2	
4	51339	(006501-) Bearing, Cone, 1.38b 0.71w	2	
5	1041558	(006501-) Seal, Cavity, Grease, 4 Wheel	2	
6	54052	(006501-) Nut, Hex, Sltd, 1.12- 18	2	
7	54051	(006501-) Washer, Flat, 1.39b 2.12d .13, Stl	2	
8	08329	(006501-) Pin, Cotter, .125 X 2.50	2	
9	1034943	(006501-) Washer, Flat, 2.24b 3.03d .12, Ni	2	
10	47801	(006501-) Fitting, Grease, Str Pm04 .63l	4	
11	1023862	(006501-) Housing Wldt, Sppt, Drive, Rh	1	
12	1032393	(006501-) Housing Wldt, Sppt, Drive, Lh	1	
13	39277	(006501-) Screw, Hex, M8 X 1.25 X 25, 8.8	1	
14	07791	(006501-) Nut, Hex, Flng, M8 X 1.25	1	
15	1037358	(006501-) Screw, Hex, M10 X 1.50 X 35, 9.8, Sems	8	
16	1024249	(006501-) Fitting, Hyd, E45, Jm10/Om12	4	
17	762427	(006501-) Fitting, Hyd, E90, Fm04/Om06	2	
18	19583	(006501-) Screw, Soc, .50- 13 X 1.50, Al	8	
19	32491	(006501-) Washer, Flat, 0.31, Std	1	
20	1047806	(006501-) Tube, Hyd, Right Outside	1	
21	1032993	(006501-) Tube Assy, Hyd, Motor [Lh- Inner]	1	
22	1032995	(006501-) Tube Assy, Hyd, Motor [Lh- Outer]	1	
23	1033034	(006501-) Clamp, Tube, 0.63d 0.63d, 2 Hole	2	
24	06945	(006501-) Screw, Hex, M6 X 1.00 X 30, 8.8	2	
25	08708	(006501-) Nut, Hex, Lock, M6 X 1.00, NI	2	
26	1044109	(006501-) Motor, Hyd, Gear, Int 07.9 Bi- Dir 3000	2	
▽	27	54087	(006501-) Hub Assy, Wheel, 5 Bolt 4.50bc Taper B	2
▲	28	54086	(006501-) Stud, Wheel, .50- 20 X 1.50l, 0.297th	5
	29	24339	(006501-) Nut, Wheel, .50- 20 X 60 Angle	10
	30	1027079	(006501-) Rod, Tie, 4 Wheel	1
	31	1042515	(006501-) Rod- End, 0.75- 16rh Fem 0.75b Zerk	2
	32	35886	(006501-) Nut, Hex, Jam, .75- 16	2
	33	1028094	(006501-) Rod- End, 0.75- 16lh Fem 0.75b Zerk	1
	34	1028190	(006501-) Nut, Hex, Jam, .75- 16, Lh	1
	35	58056	(006501-) Screw, Hex, .75- 10 X 3.00, G5	4
	36	32987	(006501-) Nut, Hex, Lock, .75- 10, NI	3
	37	39350	(006501-) Washer, Flat, 0.75, Sae	8
	38	1032456	(006501-) Cylinder, Hyd, 2.0b 16.8l 09.50strk 3000	1
	39	762432	(006501-) Fitting, Hyd, E90, Fm06/Om06	2
	40	1047720	(006501-) Tube, Hyd, Right Inside	1
	41	1047929	(006501-) Guard, Rear, Rh [4- Wheel]	1
	42	1048072	(006501-) Guard, Rear, Lh [4- Wheel]	1
	43	1048084	(006501-) Spacer, 0.35b, 1.50d, 0.25l, PI	1
	44	09570	(006501-) Clamp, Cable, Stl, 0.9x1.8x0.62w, 1hole	1
	45	1048061	(006501-) Bracket, Support, Tube	1

Fig. 24 - Wheel Suspension Group, Rear Drive, S30 X4

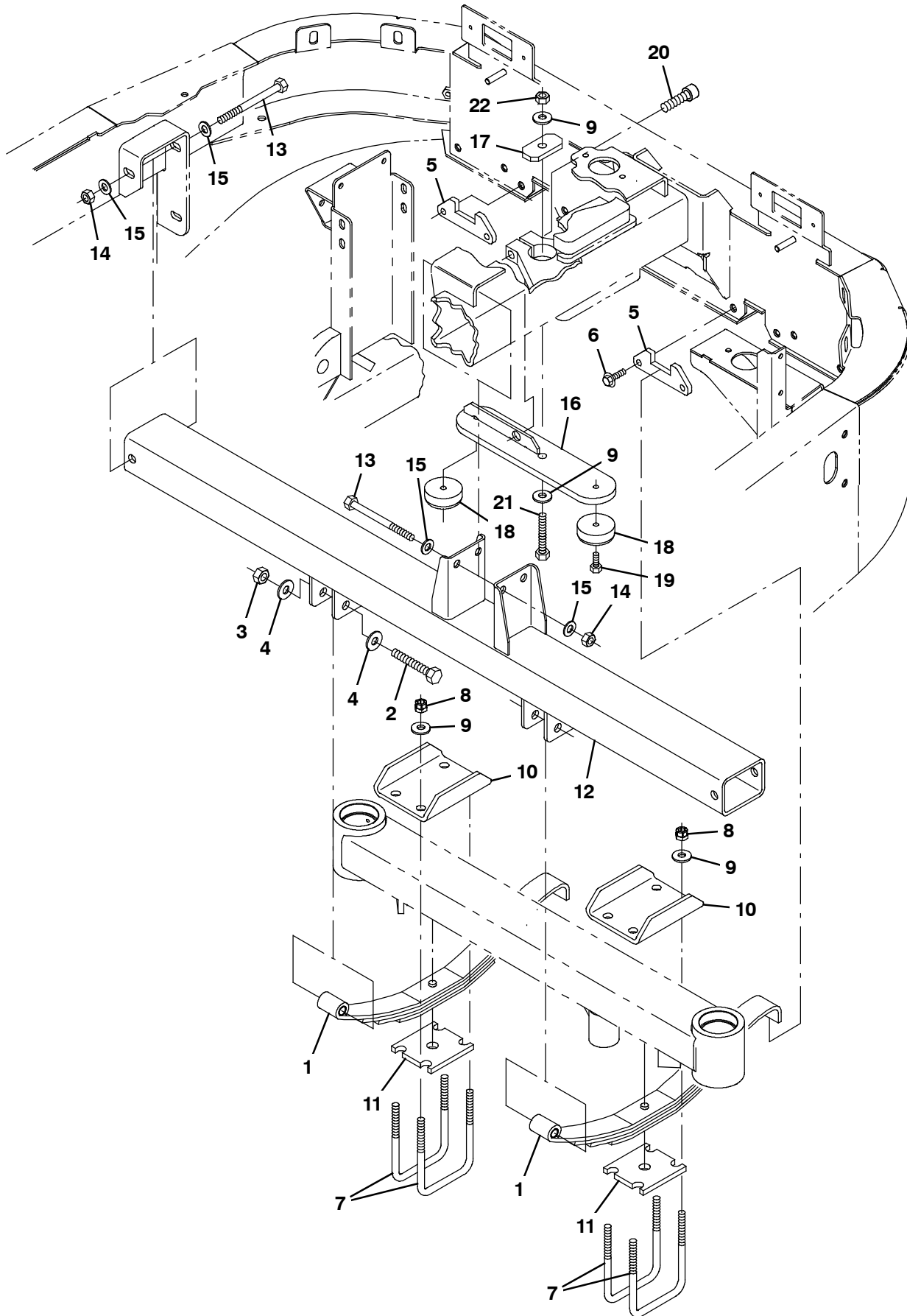
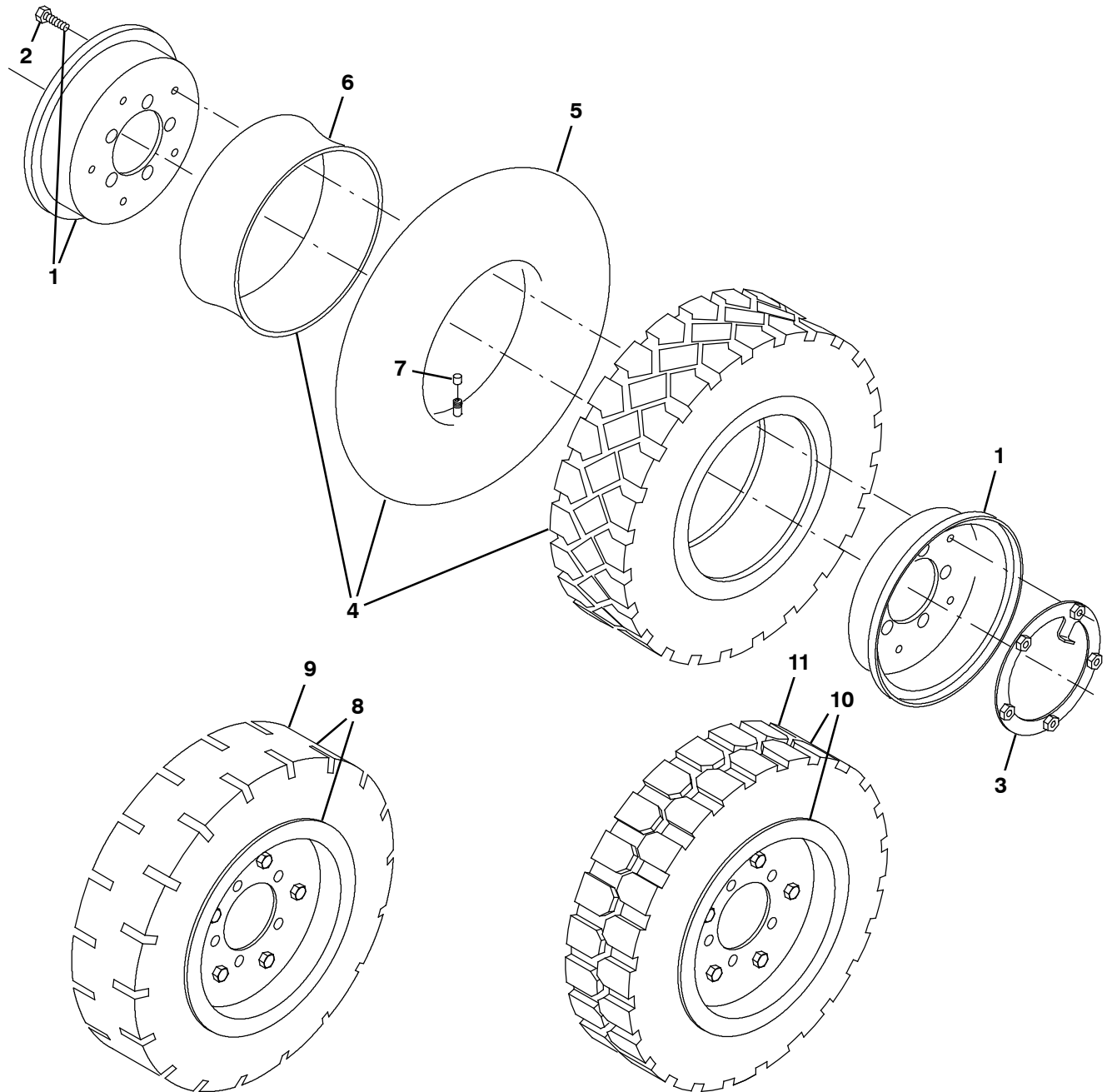


Fig. 24 - Wheel Suspension Group, Rear Drive, S30 X4

Ref.	Part No.	Serial Number	Description	Qty.
1	1026833	(006501-) Spring, Leaf, 21.5inch [Slipper]	2
2	1035488	(006501-) Screw, Hex, M14 X 2.00 X 90, 8.8	2
3	41517	(006501-) Nut, Hex, Lock, M14 X 2.00, NI	2
4	41619	(006501-) Washer, Flat, 0.56b 1.38d .11, Ss	4
5	1035138	(006501-) Plate, Retainer, Leaf Spring	2
6	1037358	(006501-) Screw, Hex, M10 X 1.50 X 35, 9.8, Sems	4
7	1027317	(006501-) Bolt, U, .50- 20 X 6.00, 4.13id	4
8	31701	(006501-) Nut, Hex, Flexlock, .50- 20	8
9	36328	(006501-) Washer, Flat, Belleville, .50	10
10	1027293	(006501-) Plate, Spring, U Bolt, Upper	2
11	1027332	(006501-) Plate, Spring, U Bolt, Lower	2
12	1026019	(006501-) Frame Wldt, Crossmember, 4 Wheel	1
13	383255	(006501-) Screw, Hex, M12 X 1.75 X 140, 8.8	4
14	08711	(006501-) Nut, Hex, Lock, M12 X 1.75, NI	4
15	32486	(006501-) Washer, Flat, 0.50, Sae	8
16	1039286	(006501-) Stop Wldt, Suspension, 4 Wheel	1
17	1039327	(006501-) Bar, Flt, Stl 0.38, 01.50 X 03.0l, 1/.6h	1
18	369481	(006501-) Bumper, Rbr, 2.5d X 1.00	2
19	39283	(006501-) Screw, Hex, M10 X 1.50 X 25, 8.8	2
20	72926	(006501-) Screw, Soc, M16 X 2.00 X 50, 12.9	1
21	06974	(006501-) Screw, Hex, M12 X 1.75 X 80, 8.8	1
22	39313	(006501-) Nut, Hex, Std, M12 X 1.75	1

STANDARD PARTS

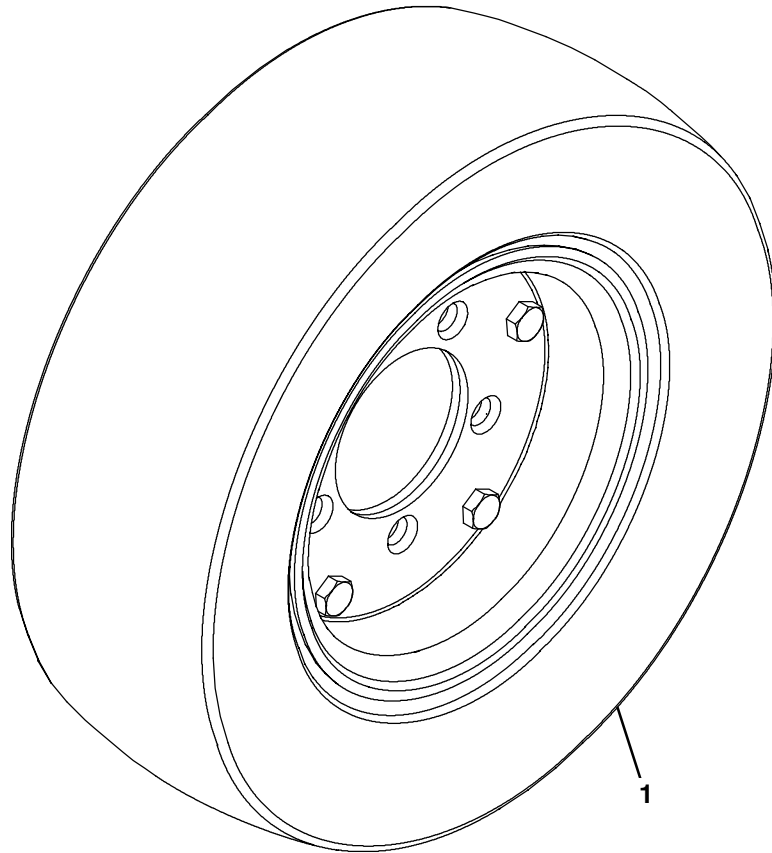
Fig. 25 - Wheel Assembly, Rear, S30 and XP



354702

Ref.	Part No.	Serial Number	Description	Qty.
▽	1005229	(006501-) Tire Assy, Pneu, 570/500- 08 4.5bc 5bolt (Standard)	1
▲▽	1 53818	(006501-) Rim Assy, 08.0 X 3.8, 4.5bc /5bolt	1
▲▲	2 370181	(006501-) Screw, Hex, M10 X 1.50 X 25, 10.9	5
▲	3 99997	(006501-) Plate, Lock Plate	1
▲▽	4 53819	(006501-) Tire, W/ Tube, W/ Flap	1
▲▲	5 70280	(006501-) Innertube, Valve [5.00r- 8, Js2, 500- 8]	1
▲▲	6 53819- 2	(006501-) Flap, Tire/Tube, 570/500- 8	1
▲▲	7 45786	(006501-) Cap, Valve, Tire, Tubeless [Schrader]	1
▽	8 53817	(006501-) Tire Assy, Solid, 18.0 X 4.3 4.5bc 5bolt (Option)	1
▲	9 53816	(006501-) Tire, Solid, 18.0 X 7.0 X 8.0[4.33 Sc15]	1
▽	10 71022	(006501-) Tire Assy, Solid, 18.0 X 4.3 4.5bc 5bolt (Option)	1
▲	11 61488	(006501-) Tire, Solid, 18.0 X 7- 8/4.33 [Sc10 Nm]	1

Fig. 26 - Wheel Assembly, Rear, S30 X4



354805

Ref.	Part No.	Serial Number	Description	Qty.
1	1053523	(006501-) Tire Assy, Foam- filled, 125/75- 08 5bolt (Standard)	1

Fig. 27 - Wheel and Brakes Group, Front Solid (Standard)

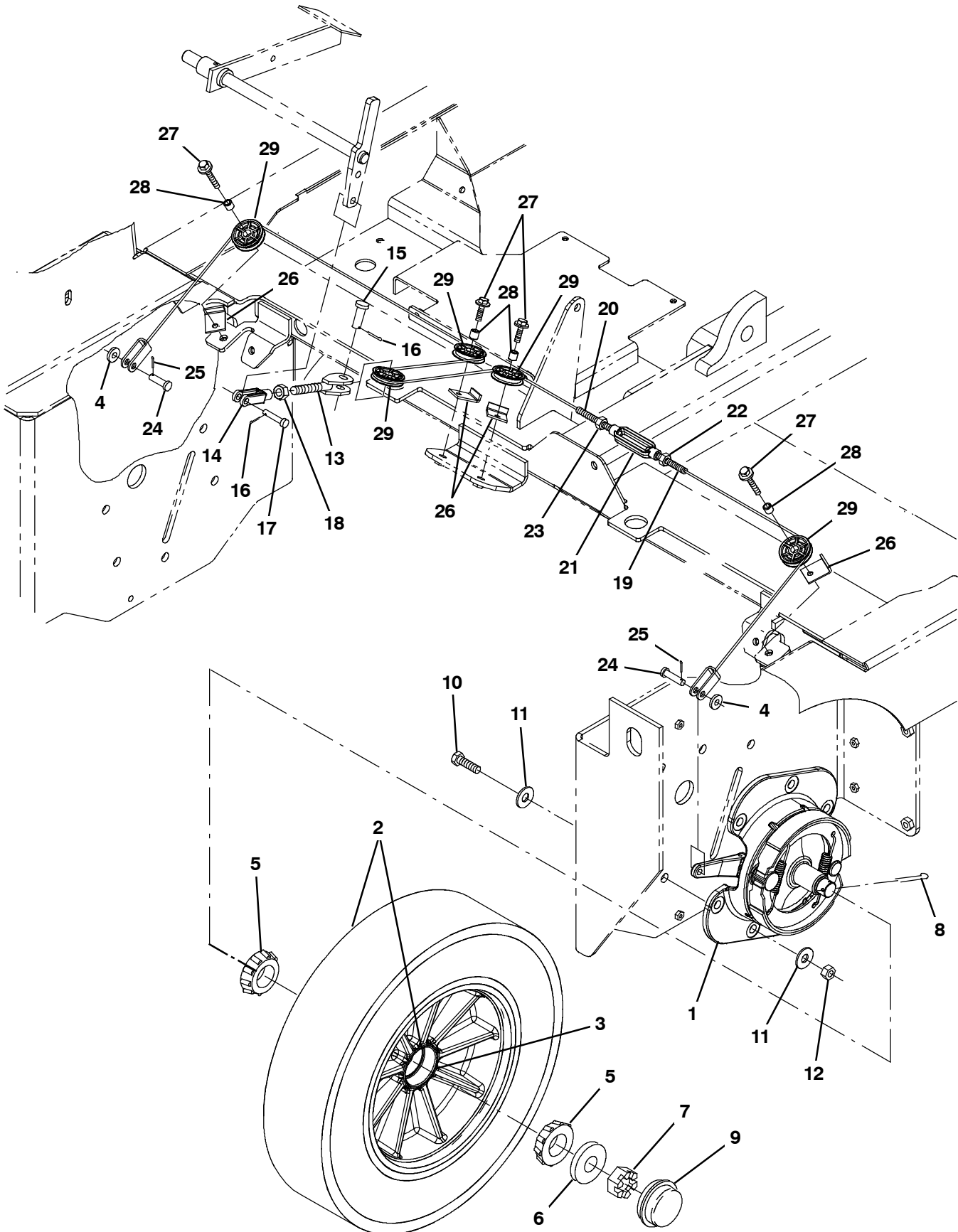


Fig. 27 - Wheel and Brakes Group, Front Solid (Standard)

Ref.	Part No.	Serial Number	Description	Qty.
▽	1	54577	(006501-) Brake Assy, Drum, Mech, 07.9d [6600]]	2
▲		66211	(006501-) Shoe Set, Brake [1 Set=1pkg=2 Shoes]	2
▲▽		66213	(006501-) Brake Kit, Repair	1
▲▲		70161	(006501-) Shaft	1
▲		70158	(006501-) Spring	2
▽	2	1061961	(006501-) Tire Assy, Solid, 20.8 X 5.0, W/ Brg, Front Tire	2
▲	3	51338	(006501-) Bearing, Cup, 2.56d 0.55w	2
	4	32485	(006501-) Washer, Flat, 0.38, Sae	2
	5	51339	(006501-) Bearing, Cone, 1.38b 0.71w	4
	6	32598	(006501-) Washer, Flat, 1.02b 1.75d .12, Stl	2
	7	14242	(006501-) Nut, Hex, Sltd, 1.00- 20	2
	8	08202	(006501-) Pin, Cotter, .125 X 1.75	2
	9	54390	(006501-) Cap, Hub, Dust, 2.57d 0.77l	2
	10	06969	(006501-) Screw, Hex, M12 X 1.75 X 40, 8.8	12
	11	32486	(006501-) Washer, Flat, 0.50, Sae	24
	12	08711	(006501-) Nut, Hex, Lock, M12 X 1.75, NI	12
	13	71373	(006501-) Clevis Wldt, Adj, .50pin 0.50- 20, PI	1
	14	374710	(006501-) Clevis, Adj, 0.38pin, 0.50- 20thd	1
	15	58078	(006501-) Pin, Clevis, 0.50d X 1.25l	1
	16	08182	(006501-) Pin, Cotter, .125 X 1.00	2
	17	86240	(006501-) Pin, Clevis, 0.38d X 1.13l	1
	18	48985	(006501-) Nut, Hex, Jam, .50- 20	1
	19	1034462	(006501-) Cable, Brake	1
	20	1034455	(006501-) Cable, Brake	1
	21	40352	(006501-) Turnbuckle, Body, .38thread, 03.9l	1
	22	32522	(006501-) Nut, Hex, Jam, .38- 16	1
	23	39562	(006501-) Nut, Hex, Jam, .38- 16, Lh	1
	24	09088	(006501-) Pin, Clevis, 0.37d X 1.00l	2
	25	39005	(006501-) Pin, Cotter, .094 X 0.75	2
	26	54400	(006501-) Bracket, Angle, Keeper, Cable	4
	27	1037355	(006501-) Screw, Hex, M8 X 1.25 X 35, 9.8, Sems	4
	28	222460	(006501-) Sleeve, P/M, 0.31b 0.50d 0.5l [430ss]	4
	29	369781	(006501-) Pulley, Cable, 1.5d Nyl	5

STANDARD PARTS

Fig. 28 - Wheel and Brakes Group, Front Pneumatic (Option)

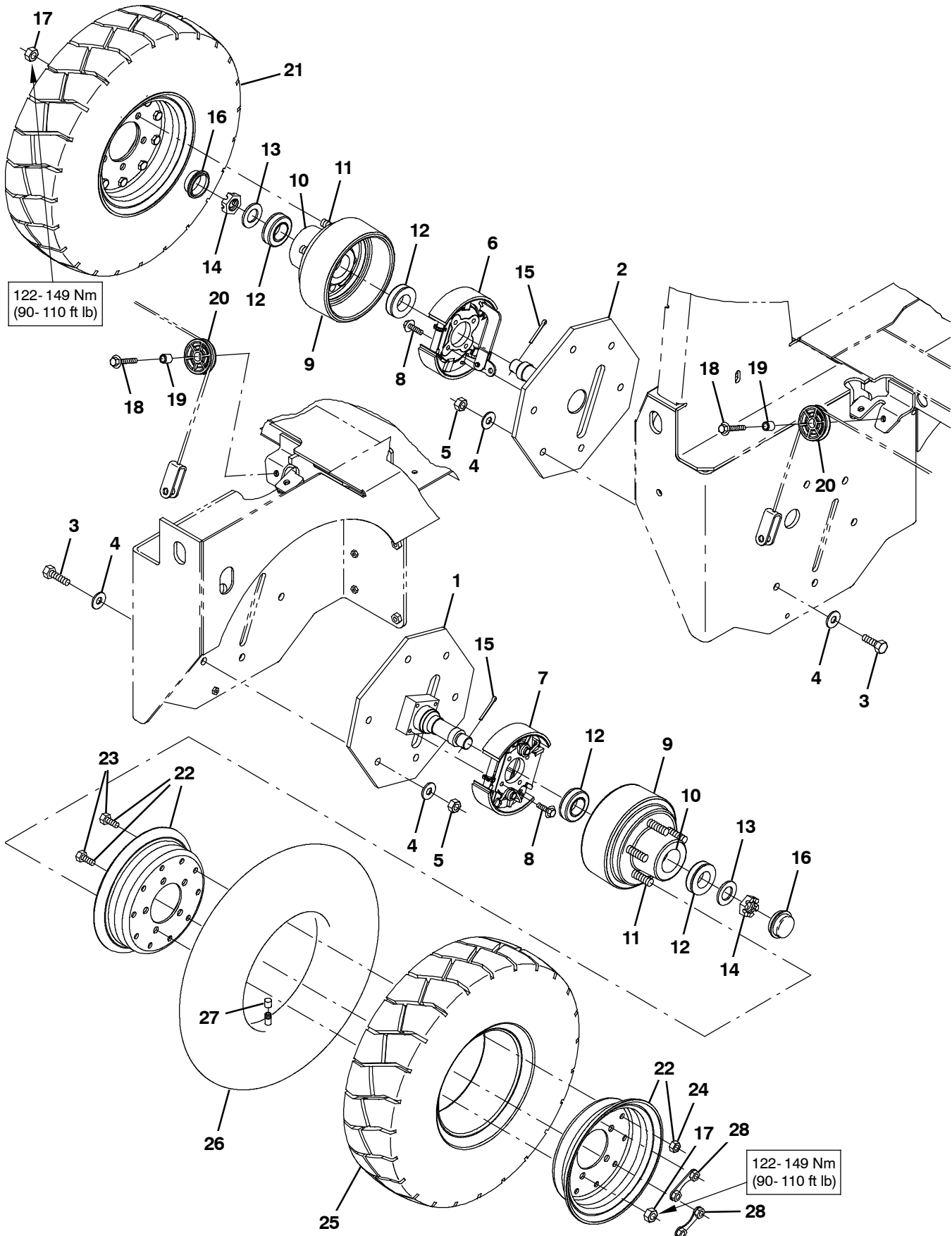


Fig. 28 - Wheel and Brakes Group, Front Pneumatic (Option)

Ref.	Part No.	Serial Number	Description	Qty.	
1	1028159	(006501-) Spindle Wldt, Wheel, Front, Lh	1	
2	1028146	(006501-) Spindle Wldt, Wheel, Front, Rh	1	
3	06969	(006501-) Screw, Hex, M12 X 1.75 X 40, 8.8	12	
4	32486	(006501-) Washer, Flat, 0.50, Sae	24	
5	08711	(006501-) Nut, Hex, Lock, M12 X 1.75, NI	12	
▽	6	1026856	(006501-) Brake, Knot, Rh, 7.0d	1
▲		9004865	(006501-) Shoe Assy, Brake, 177.8 X 45	2
▲		9004867	(006501-) Lever Assy, 177.8 X 45	1
▲		9004868	(006501-) Spring, Tens, Brake	1
▲		9004870	(006501-) Spring, Tors, 0.61id .18wir 02.0coil	1
▲		9004871	(006501-) Adjuster Kit, Manual, W/ Pivot	1
▲		9004869	(006501-) Spring, Tors, 0.61id .18wir 02.0coil	1
▲		9004873	(006501-) Clip, Spring	2
▽	7	1026841	(006501-) Brake, Knot, Lh, 7.0d	1
▲		9004865	(006501-) Shoe Assy, Brake, 177.8 X 45	2
▲		9004867	(006501-) Lever Assy, 177.8 X 45	1
▲		9004868	(006501-) Spring, Tens, Brake	1
▲		9004870	(006501-) Spring, Tors, 0.61id .18wir 02.0coil	1
▲		9004871	(006501-) Adjuster Kit, Manual, W/ Pivot	1
▲		9004869	(006501-) Spring, Tors, 0.61id .18wir 02.0coil	1
▲		9004873	(006501-) Clip, Spring	2
	8	1037354	(006501-) Screw, Hex, M8 X 1.25 X 30, 9.8, Sems	8
▽	9	1036027	(006501-) Drum Assy, Brake	2
▲	10	51338	(006501-) Bearing, Cup, 2.56d 0.55w	2
▲	11	67665	(006501-) Stud, Wheel, .50- 20 X 1.88l, 0.560th	5
	12	51339	(006501-) Bearing, Cone, 1.38b 0.71w	4
	13	32598	(006501-) Washer, Flat, 1.02b 1.75d .12, Stl	2
	14	14242	(006501-) Nut, Hex, Slted, 1.00- 20	2
	15	08202	(006501-) Pin, Cotter, .125 X 1.75	2
	16	54390	(006501-) Cap, Hub, Dust, 2.57d 0.77l	2
	17	24339	(006501-) Nut, Wheel, .50- 20 X 60 Angle	10
	18	1037355	(006501-) Screw, Hex, M8 X 1.25 X 35, 9.8, Sems	2
	19	222460	(006501-) Sleeve, P/M, 0.31b 0.50d 0.5l [430ss]	2
	20	369781	(006501-) Pulley, Cable, 1.5d Nyl	2
▽	21	1032515	(006501-) Tire Assy, Pneu, 21 X 6.0- 12 4.5bc, Ce	2
▲▽	22	1039523	(006501-) Rim Assy, 09.0 X 4.0, 4.5bc /5bolt	1
▲▲	23	370181	(006501-) Screw, Hex, M10 X 1.50 X 25, 10.9	10
▲▲	24	41430	(006501-) Nut, Hex, Lock, M10 X 1.5, NI	6
▲	25	1039520	(006501-) Tire, Pneu, 21 X 6.0 X 9.0 12 Ply [Ic40]	1
▲	26	1039517	(006501-) Innertube, 6.00 X 9.00 [Js- 2]	1
▲	27	45786	(006501-) Cap, Valve, Tire, Tubeless [Schrader]	1
▲	28	1032488	(006501-) Plate, Wheel, Ce	2

Fig. 29 - Brake Pedal and Parking Brake Group

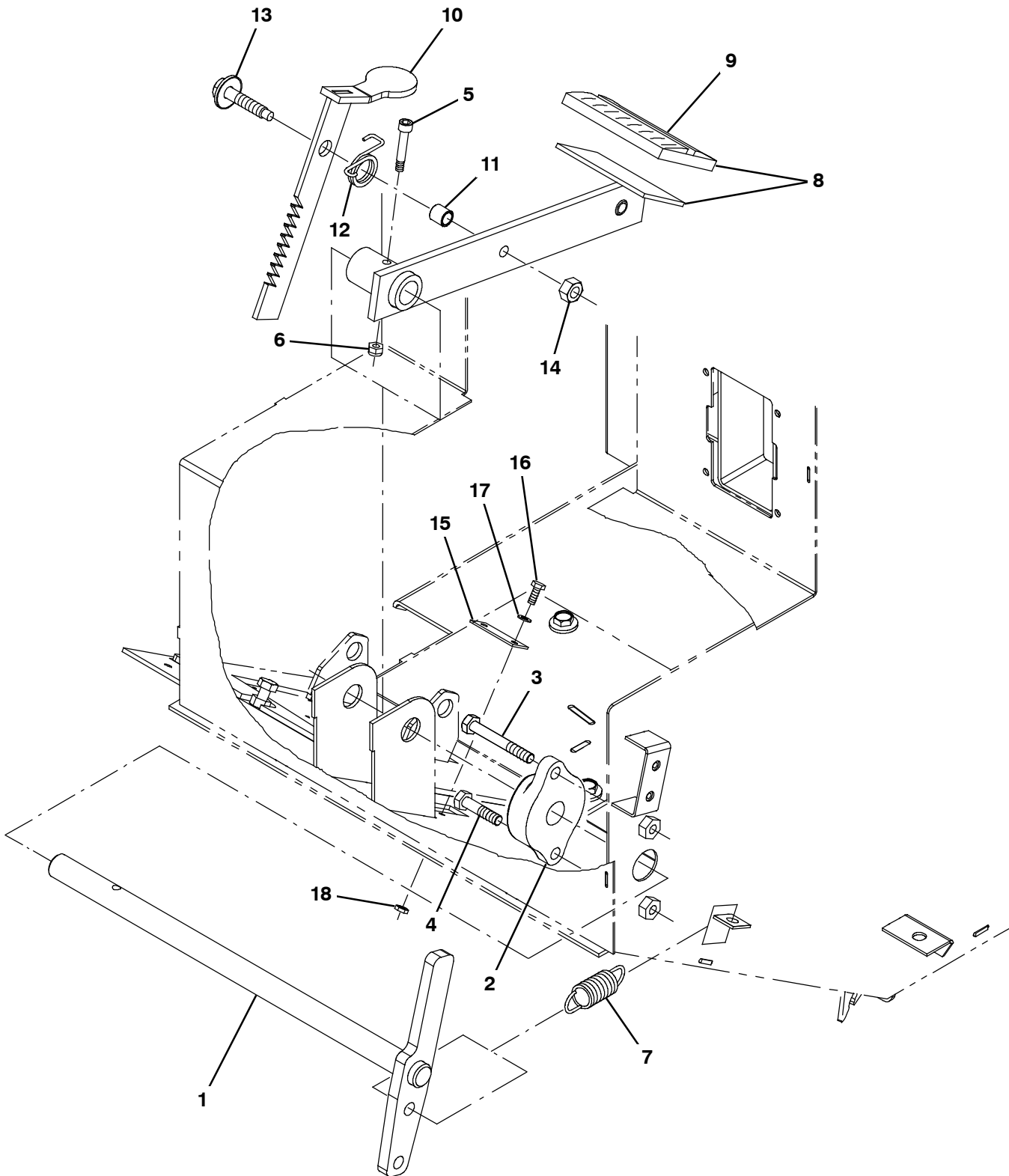


Fig. 29 - Brake Pedal and Parking Brake Group

Ref.	Part No.	Serial Number	Description	Qty.	
1	1026605	(006501-) Rod Wldt, Brake	1	
2	26663	(006501-) Bearing, Flng, 2hole, 0.75b	1	
3	363976	(006501-) Screw, Hex, M8 X 1.25 X 60, 8.8, FI	1	
4	39277	(006501-) Screw, Hex, M8 X 1.25 X 25, 8.8	1	
5	31249	(006501-) Bolt, Shld, .25d X 1.25, #10- 24	1	
6	45181	(006501-) Nut, Hex, Lock, #10- 24, NI	1	
7	87816	(006501-) Spring, Extn, 0.75od 0.09wir 02.5l	1	
▽	8	1026610	(006501-) Pedal Wldt, Brake	1
▲	9	51109	(006501-) Pad, Pedal, Brake, 3.96l 2.36w 0.75	1
10	1042021	(006501-) Brake Wldt, Parking	1	
11	46563	(006501-) Bushing, Sleeve, 0.37b 0.50d 0.50l, Oib	1	
12	59009	(006501-) Spring, Tors, 0.75id .06wir 02.8coil	1	
13	06955	(006501-) Screw, Hex, M8 X 1.25 X 35, 8.8	1	
14	08709	(006501-) Nut, Hex, Lock, M8 X 1.25, NI	1	
15	1042024	(006501-) Plate, Stop, Parking	1	
16	33928	(006501-) Screw, Hex, M4 X 0.70 X 20, Ss	2	
17	19065	(006501-) Washer, Flat, 08	2	
18	33932	(006501-) Nut, Hex, Lock, M4 X 0.70, NI, Ss	2	

Fig. 30 - Directional Pedal Group

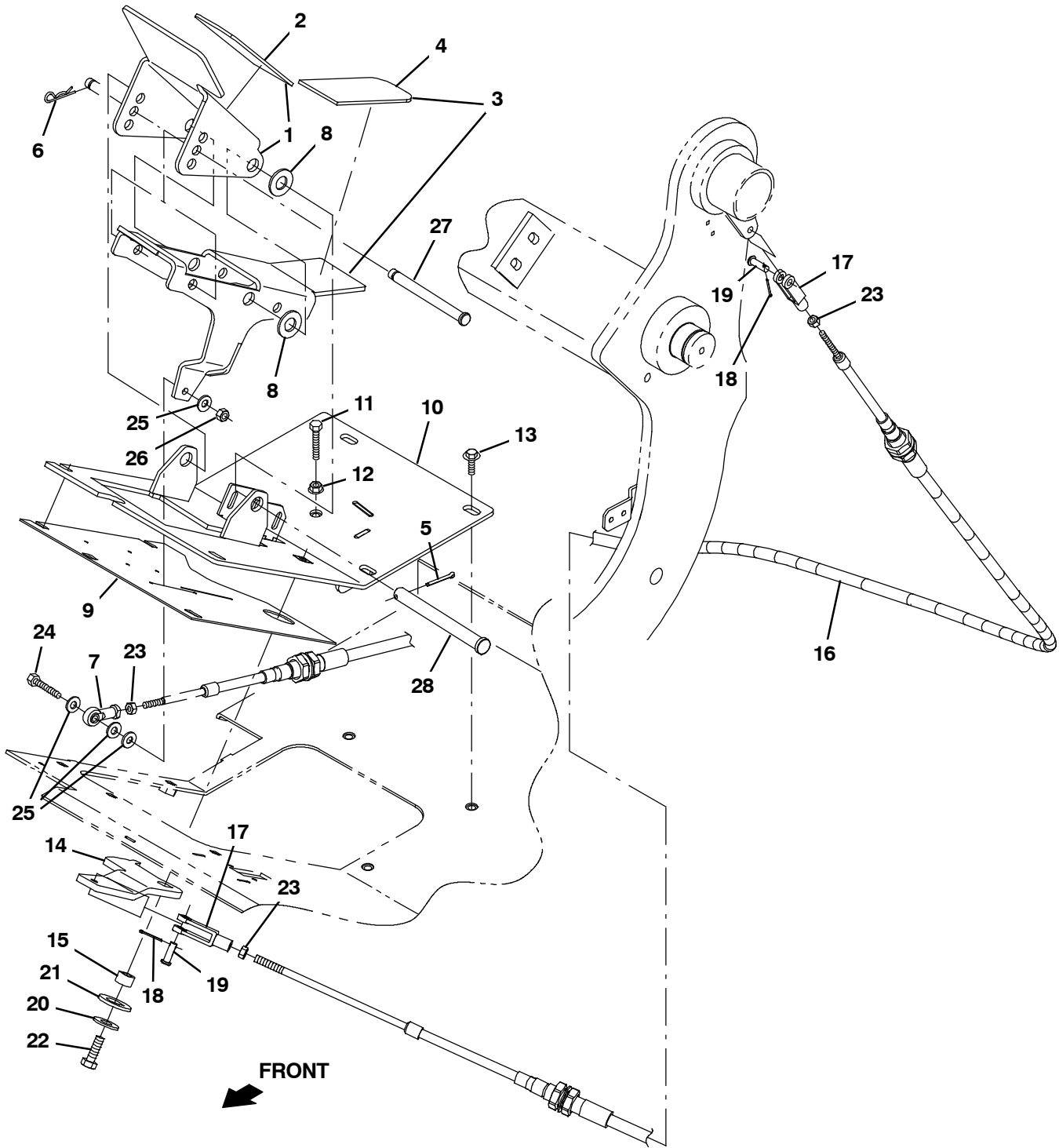


Fig. 30 - Directional Pedal Group

Ref.	Part No.	Serial Number	Description	Qty.
▽	1	9004575	(006501-) Pedal, Propel, Upper, W/Tread	1
▲	2	82839	(006501-) Tread, Non- Skid, 02.2w 11.5l	1
▽	3	9004574	(006501-) Pedal, Propel, Lower, W/Tread	1
▲	4	82839	(006501-) Tread, Non- Skid, 02.2w 11.5l	1
	5	08182	(006501-) Pin, Cotter, .125 X 1.00	1
	6	86866	(006501-) Pin, Cotter, Hair, 0.38d .072 Wir	1
	7	1033995	(006501-) Rod- End, M6 X 1.0rh Fem 6mmb [Nylon]	2
	8	32486	(006501-) Washer, Flat, 0.50, Sae	2
	9	1038360	(006501-) Gasket, Rbr, Pedal, Propel	1
	10	1026688	(006501-) Panel Wldt, Access	1
	11	76570	(006501-) Screw, Hex, M8 X 1.25 X 30, 8.8	1
	12	07791	(006501-) Nut, Hex, Flng, M8 X 1.25	1
	13	1037346	(006501-) Screw, Hex, M8 X 1.25 X 25, 9.8, Sems	6
	14	1034910	(006501-) Link, Crank, Limiter	1
	15	1040761	(006501-) Bushing, Sleeve, 0.31b 0.55d 0.38l, Oib	1
	16	1035620	(006501-) Cable, Push / Pull, 070.4l M6x1.0/M6x1.0	1
	17	1035826	(006501-) Clevis, Adj, M6 Pin, M6 X 1.0 Rh, Pl	2
	18	08178	(006501-) Pin, Cotter, .062 X 0.75	2
	19	14605	(006501-) Pin, Clevis, 0.25d X 0.75l	2
	20	32492	(006501-) Washer, Flat, 0.38, Std	1
	21	15331	(006501-) Washer, Flat, 0.62, Sae	1
	22	09010	(006501-) Screw, Hex, M8 X 1.25 X 25, Ss	1
	23	41359	(006501-) Nut, Hex, Std, M6 X 1.00, 8	3
	24	09007	(006501-) Screw, Hex, M6 X 1.00 X 25, Ss	1
	25	01684	(006501-) Washer, Flat, 0.27b 0.69d .05, Ss	4
	26	08712	(006501-) Nut, Hex, Lock, M6 X 1.00, NI, Ss	1
	27	1040162	(006501-) Pin, Clevis, 0.37d X 4.33l	1
	28	51538	(006501-) Pin, Clevis, 0.50d X 5.00l	1

Fig. 31 - Hydraulic Pump Linkage Group, S30 and XP

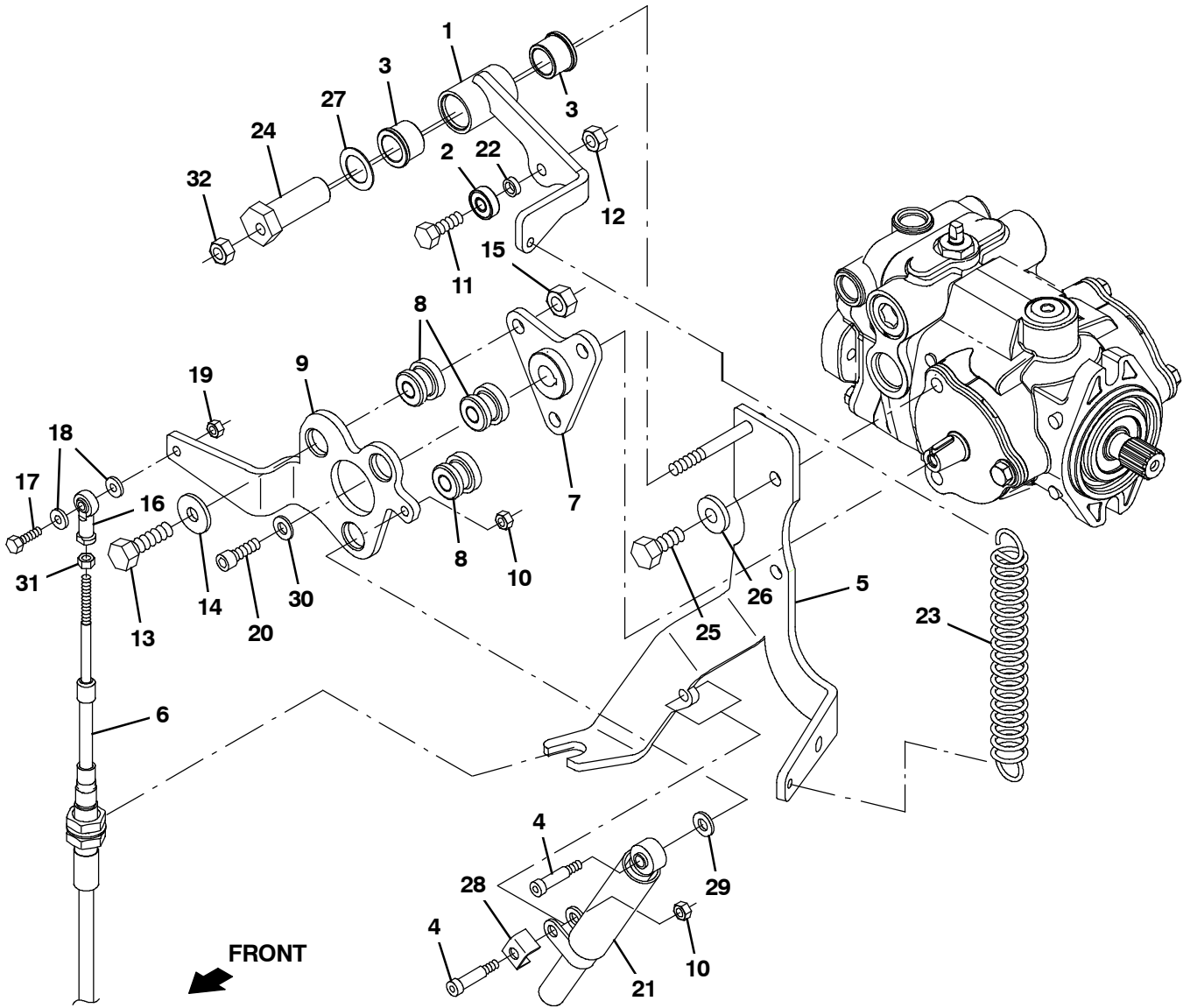


Fig. 31 - Hydraulic Pump Linkage Group, S30 and XP

Ref.	Part No.	Serial Number	Description	Qty.
1	1031921	(006501-) Arm Wldt, Neutral	1
2	1027651	(006501-) Bearing, Ball, 8mmb X 22mmd X 7mmw	1
3	1028246	(006501-) Bearing, Flng, 0.75b 1.00d 0.75l, Bnz	2
4	16213	(006501-) Bolt, Shld, .31d X 1.00, .25- 20	2
5	1072476	(006501-) Bracket Wldt, Linkage, Propel [Mits]	1
6	1035619	(006501-) Cable, Push / Pull, 062.5l M6x1.0/M6x1.0	1
7	1031939	(006501-) Hub Wldt	1
8	59649	(006501-) Isolator, Vib, Bshg, 1.1d 0.6l .4b 0.78h	3
9	1034244	(006501-) Lever, Pump	1
10	75934	(006501-) Nut, Hex, Lock, .25- 20, NI	2
11	76570	(006501-) Screw, Hex, M8 X 1.25 X 30, 8.8	1
12	08709	(006501-) Nut, Hex, Lock, M8 X 1.25, NI	1
13	39284	(006501-) Screw, Hex, M10 X 1.50 X 35, 8.8	3
14	13248	(006501-) Washer, Flat, 0.40b 1.12d .12, Stl, PI	3
15	41430	(006501-) Nut, Hex, Lock, M10 X 1.5, NI	3
16	1033995	(006501-) Rod- End, M6 X 1.0rh Fem 6mmb [Nylon]	1
17	06945	(006501-) Screw, Hex, M6 X 1.00 X 30, 8.8	1
18	32483	(006501-) Washer, Flat, 0.25, Sae	2
19	08708	(006501-) Nut, Hex, Lock, M6 X 1.00, NI	1
20	1033237	(006501-) Screw, Soc, .31- 24 X 1.00, Al	1
21	73411	(006501-) Shock Absorber, 2.3 Strk	1
22	1027531	(006501-) Spacer, 0.33b 0.50d 0.15l, PI	1
23	222236	(006501-) Spring, Extn, 1.00od 0.12wir 05.0l	1
24	1027533	(006501-) Pin, Pivot, 0.75d 02.1l, Int 0.33b	1
25	21198	(006501-) Screw, Hex, .38- 16 X 1.25, G5	2
26	32491	(006501-) Washer, Flat, 0.31, Std	2
27	64489	(006501-) Washer, Flat, 0.81b 1.24d .03, Stl, PI	1
28	84170	(006501-) Bracket, Retainer, Safety	1
29	39349	(006501-) Washer, Flat, 0.31, Sae	1
30	41186	(006501-) Washer, Flat, Belleville, .31	1
31	41359	(006501-) Nut, Hex, Std, M6 X 1.00, 8	1
32	08709	(006501-) Nut, Hex, Lock, M8 X 1.25, NI	1

Fig. 32 - Hydraulic Pump Linkage Group, S30 X4

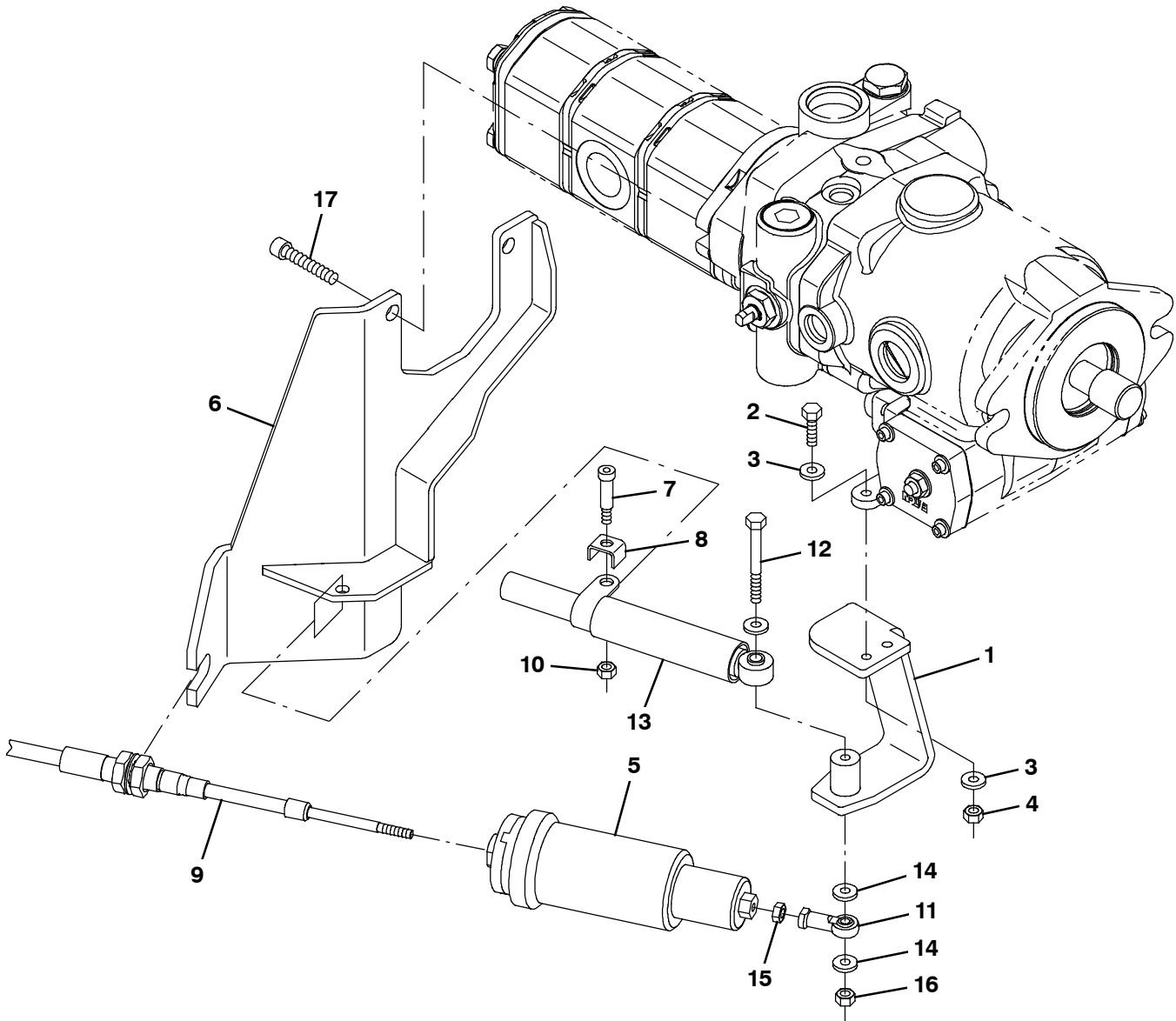


Fig. 32 - Hydraulic Pump Linkage Group, S30 X4

Ref.	Part No.	Serial Number	Description	Qty.
1	1036157	(006501-) Plate Wldt, Pump	1
2	06944	(006501-) Screw, Hex, M6 X 1.00 X 25, 8.8	2
3	32483	(006501-) Washer, Flat, 0.25, Sae	4
4	08708	(006501-) Nut, Hex, Lock, M6 X 1.00, NI	2
5	1037139	(006501-) Spring Assy, Centering, 10lb, 75mm Travel	1
6	1040198	(006501-) Bracket Wldt, Mtg, Propel	1
7	16213	(006501-) Bolt, Shld, .31d X 1.00, .25- 20	1
8	84170	(006501-) Bracket, Retainer, Safety	1
9	1039752	(006501-) Cable, Push / Pull, 057.1l M6x1.0/M6x1.0	1
10	75934	(006501-) Nut, Hex, Lock, .25- 20, NI	1
11	1033995	(006501-) Rod- End, M6 X 1.0rh Fem 6mmb [Nylon]	2
12	09771	(006501-) Screw, Hex, M6 X 1.00 X 70, Ss	1
13	73411	(006501-) Shock Absorber, 2.3 Strk	1
14	32483	(006501-) Washer, Flat, 0.25, Sae	9
15	41359	(006501-) Nut, Hex, Std, M6 X 1.00, 8	2
16	08712	(006501-) Nut, Hex, Lock, M6 X 1.00, NI, Ss	1
17	19580	(006501-) Screw, Soc, .38- 16 X 2.00, Al	2

Fig. 33 - Hopper Group, Plastic

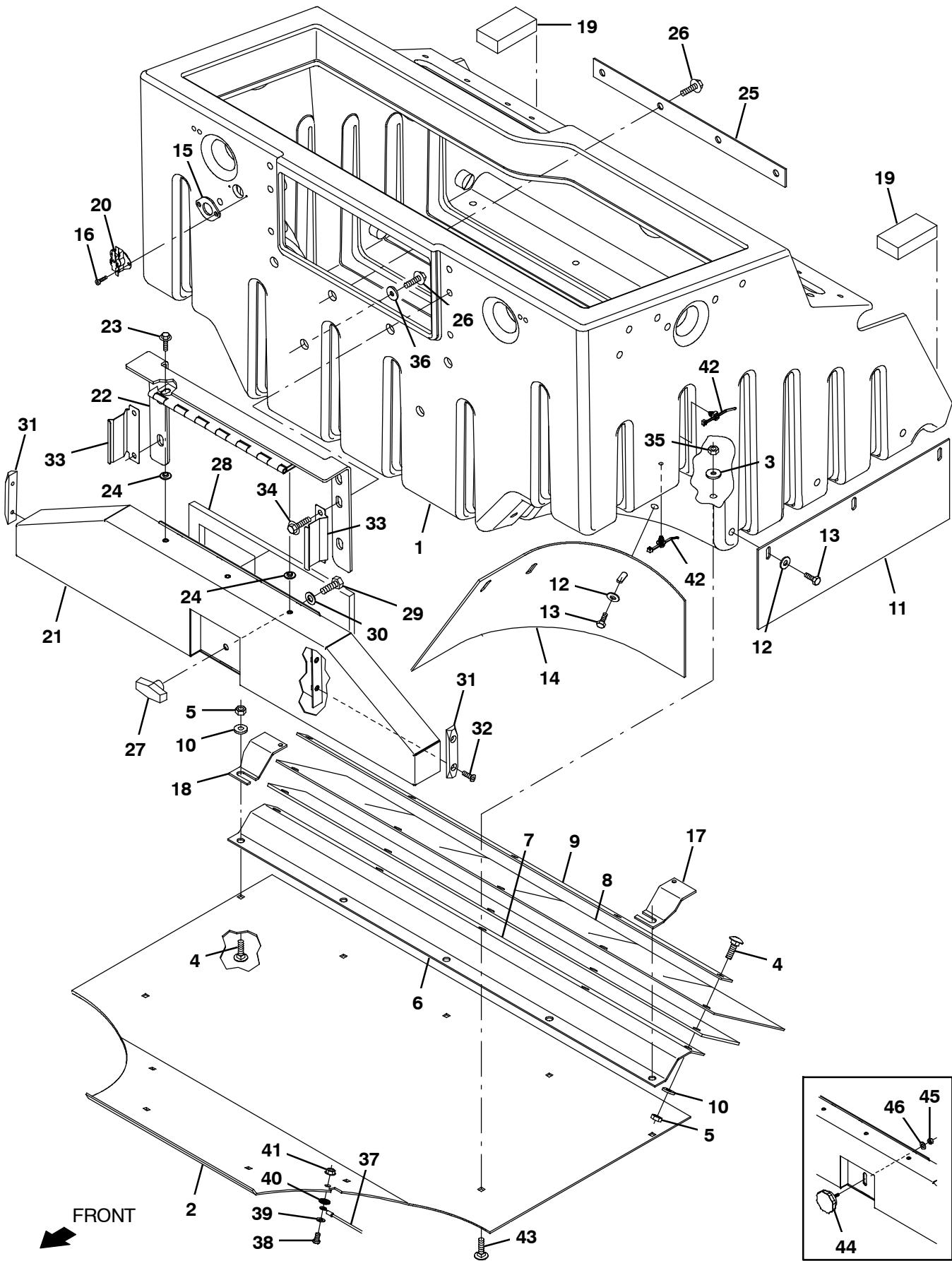


Fig. 33 - Hopper Group, Plastic

Ref.	Part No.	Serial Number	Description	Qty.
	1	1210993	(006501-) Hopper, Plstc, Trimmed [S30]	1
	2	1214092	(006501-) Plate Wldt, Sppt, Hppr Bottom	1
	3	1017218	(006501-) Washer, Flat, 0.32b 1.00d .12, Ss	6
▽		9013115	(006501-) Skirt Kit, Hppr, Maint [S30]	1
▲	4	1035684	(006501-) Bolt, Carriage, M8 X 1.25 X 30	10
▲	5	08713	(006501-) Nut, Hex, Lock, M8 X 1.25, NI, Ss	10
▲	6	1212460	(006501-) Bracket, Sppt, Hppr Seal	1
▲	7	1212516	(006501-) Skirt, Lip	1
▲	8	1212509	(006501-) Skirt, Lip, Hppr	1
▲	9	1026798	(006501-) Strap, Main, Lip	1
▲	10	32491	(006501-) Washer, Flat, 0.31, Std	10
▲	11	1038037	(006501-) Skirt, Hppr	1
▲	12	41178	(006501-) Washer, Flat, 0.25, Fendr	6
▲	13	11635	(006501-) Screw, Hex, M6 X 1.00 X 12, NI, Ss	6
▲	14	1212510	(006501-) Skirt, Neo, .12, 15.9w, 20.8l, 03/SI	1
	15	82733	(006501-) Gasket, Sensor, Thermal	1
	16	360943	(006501-) Screw, Pan, Phl, 10- 14 X 0.75, F/ Plstc	2
	17	1044768	(006501-) Bracket, Seal, Lh	1
	18	1044764	(006501-) Bracket, Seal, Rh	1
	19	1049158	(006501-) Insulation, Acstc, 1.0, 2.0 X 03.8 Adh	2
	20	367679	(006501-) Switch, Thermal, 160deg, Spdt	1
	21	1213278	(006501-) Door Wldt, Hppr	1
	22	1213263	(006501-) Bracket Wldt, Door, Front	1
	23	1040467	(006501-) Screw, Hex, M6 X 1.00 X 20, 9.8, Sems	3
	24	1213565	(006501-) Sleeve, Flange	2
	25	1213673	(006501-) Bar, Flat, Ss 0.12 1.5 X 18.5l, 4/0.5h	1
	26	1037355	(006501-) Screw, Hex, M8 X 1.25 X 35, 9.8, Sems	6
▽		9013366	(006501-) Latch Kit, Door, Access, Ci [S30]	1
▲	27	04706	(006784-) Knob, Tee, 0.38- 16, 2.5 X 1.0 1.1l,Plstc	1
▲	28	1035660	(006501-) Gasket, Ure, .50, 07.47w, 15.47l, Adh	1
▲	29	21195	(006784-) Screw, Hex, .38- 16 X 0.75, G5	1
▲	30	32492	(006784-) Washer, Flat, 0.38, Std	1
▲	31	1213971	(006501-) Block, Nylon	2
▲	32	09062	(006501-) Screw, Flt, Soc, M6 X 1.00 X 16, 10.9	4
▲	33	1213604	(006501-) Latch, Door	2
▲	34	1020341	(006501-) Screw, Hex, M8 X 1.25 X 20, 9.8, Sems	4
	35	08713	(006501-) Nut, Hex, Lock, M8 X 1.25, NI, Ss	6
	36	30013	(006501-) Washer, Flat, 0.31, Fendr	2
	37	1074155	(006501-) Wire, 10ga, 35.0l, Grn, M8 Ring/M6 Ring	1
	38	09145	(006501-) Screw, Pan, Phl, M6 X 1.00 X 16, 4.8	1
	39	32483	(006501-) Washer, Flat, 0.25, Sae	1
	40	41140	(006501-) Washer, Lock, Int- Ext, 0.25	1
	41	07790	(006501-) Nut, Hex, Flng, M6 X 1.00	1
	42	1210807	(006501-) Wire, Tie [W/.25" Fir Tree Clip]	3
	43	1035684	(006501-) Bolt, Carriage, M8 X 1.25 X 30	6
	44	1047543	(006501- 006783) Knob, Rnd, 2.38d 0.88l M6 X 1.0, Plstc	1
	45	08708	(006501- 006783) Nut, Hex, Lock, M6 X 1.00, NI	1
	46	01684	(006501- 006783) Washer, Flat, 0.27b 0.69d .05, Ss	1

Fig. 34 - Hopper Group, Steel

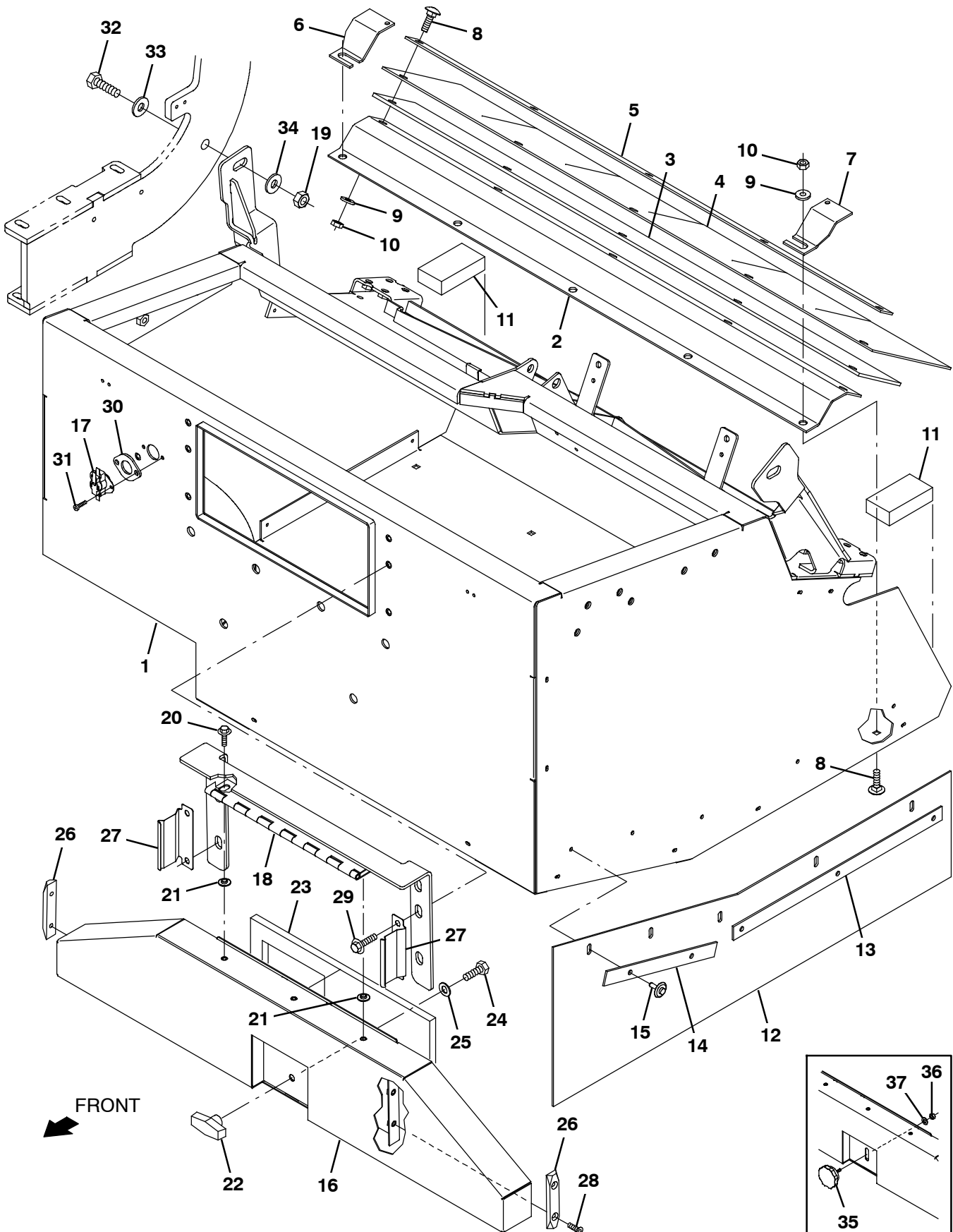


Fig. 34 - Hopper Group, Steel

Ref.	Part No.	Serial Number	Description	Qty.	
1	1211585	(006501-) Hopper Wldt, Stl [S30]	1	
2	1212460	(006501-) Bracket, Sppt, Hppr Seal	1	
3	1212516	(006501-) Skirt, Lip	1	
4	1040590	(006501-) Skirt, Lip, Hppr, Stl	1	
5	1026798	(006501-) Strap, Main, Lip	1	
6	1044764	(006501-) Bracket, Seal, Rh	1	
7	1044768	(006501-) Bracket, Seal, Lh	1	
8	1035684	(006501-) Bolt, Carriage, M8 X 1.25 X 30	10	
9	32491	(006501-) Washer, Flat, 0.31, Std	10	
10	08713	(006501-) Nut, Hex, Lock, M8 X 1.25, NI, Ss	10	
11	1049158	(006501-) Insulation, Acstc, 1.0, 2.0 X 03.8 Adh	2	
12	1040276	(006501-) Skirt, Deflector	1	
13	1040400	(006501-) Retainer, Skirt, .12, 1.0w X 18.0l, Gray	1	
14	1040408	(006501-) Retainer, Skirt, .12, 1.0w X 09.8l, Gray	1	
15	72968	(006501-) Rivet, Plstc, .250d X 0.90	5	
16	1213278	(006501-) Door Wldt, Hppr	1	
17	367679	(006501-) Switch, Thermal, 160deg, Spdt	1	
18	1213263	(006501-) Bracket Wldt, Door, Front	1	
19	08711	(006501-) Nut, Hex, Lock, M12 X 1.75, NI	2	
20	1040467	(006501-) Screw, Hex, M6 X 1.00 X 20, 9.8, Sems	3	
21	1213565	(006501-) Sleeve, Flange	2	
▽	9013366	(006501-) Latch Kit, Door, Access, Ci [S30]	1	
▲	22	04706	(006784-) Knob, Tee, 0.38- 16, 2.5 X 1.0 1.1l,Plstc	1
▲	23	1035660	(006501-) Gasket, Ure, .50, 07.47w, 15.47l, Adh	1
▲	24	21195	(006784-) Screw, Hex, .38- 16 X 0.75, G5	1
▲	25	32492	(006784-) Washer, Flat, 0.38, Std	1
▲	26	1213971	(006501-) Block, Nylon	2
▲	27	1213604	(006501-) Latch, Door	2
▲	28	09062	(006501-) Screw, Flt, Soc, M6 X 1.00 X 16, 10.9	4
▲	29	1020341	(006501-) Screw, Hex, M8 X 1.25 X 20, 9.8, Sems	4
30	82733	(006501-) Gasket, Sensor, Thermal	1	
31	24265	(006501-) Screw, Pan, Phi, M4 X 0.70 X 16, Ss	2	
32	69972	(006501-) Screw, Hex, M12 X 1.75 X 40, 10.9	2	
33	36328	(006501-) Washer, Flat, Belleville, .50	2	
34	32493	(006501-) Washer, Flat, 0.50, Std	2	
35	1047543	(006501- 006783)) Knob, Rnd, 2.38d 0.88l M6 X 1.0, Plstc	1	
36	08708	(006501- 006783)) Nut, Hex, Lock, M6 X 1.00, NI	1	
37	01684	(006501- 006783)) Washer, Flat, 0.27b 0.69d .05, Ss	1	

Fig. 35 - Hopper Cylinder and Dump Door Group, Plastic

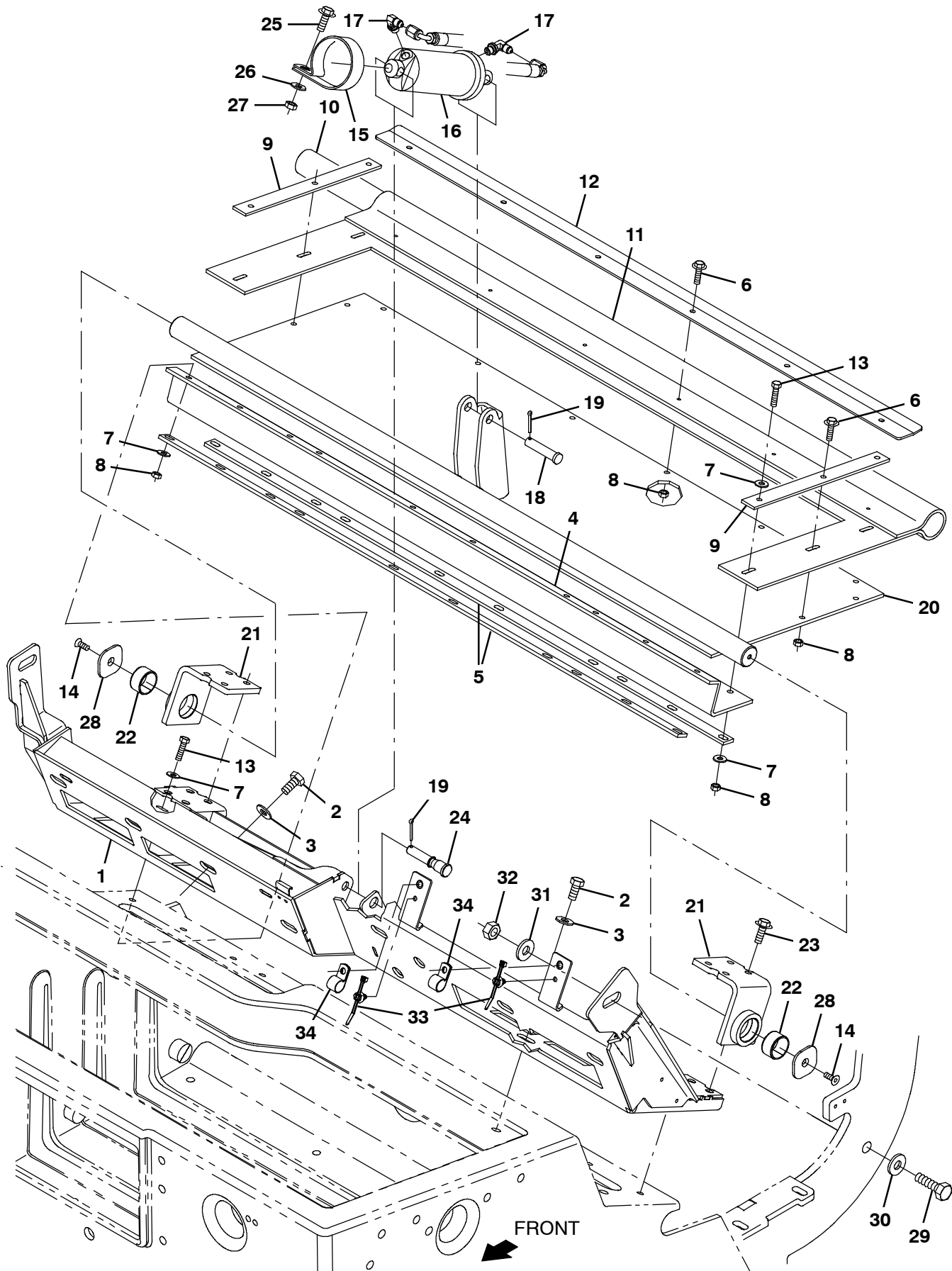


Fig. 35 - Hopper Cylinder and Dump Door Group, Plastic

Ref.	Part No.	Serial Number	Description	Qty.	
1	1211089	(006501-) Bracket Wldt, Mtg, Door, Hppr	1	
2	10959	(006501-) Screw, Hex, M10 X 1.50 X 20, NI, Ss	13	
3	01686	(006501-) Washer, Flat, 0.44b 1.00d .08, Ss	13	
▽	9013116	(006501-) Skirt Kit, Door, Hppr, Maint [S30]	1	
▲	4	1212570	(006501-) Seal, Wiper, Door	1
▲	5	1212756	(006501-) Retainer, Seal	2
▲	6	1037345	(006501-) Screw, Hex, M6 X 1.00 X 30, 9.8, Sems	16
▲	7	32490	(006501-) Washer, Flat, 0.25, Std	34
▲	8	08712	(006501-) Nut, Hex, Lock, M6 X 1.00, NI, Ss	28
▲	9	1044950	(006501-) Strap, Door, Dump, Side	2
▲	10	1030218	(006501-) Cord, Sponge	1
▲	11	1212440	(006501-) Seal, Door, Dump	1
▲	12	1044419	(006501-) Plate, Retainer, Door, Dump	1
▲	13	06946	(006501-) Screw, Hex, M6 X 1.00 X 35, 8.8	12
14	09062	(006501-) Screw, Flt, Soc, M6 X 1.00 X 16, 10.9	2	
15	70157	(006501-) Clamp, Cable, Ss, 2.50d X 1.00w, 1hole	1	
16	1038176	(006501-) Cylinder, Hyd, 2.0b 08.0l 04.00strk 2500	1	
17	762427	(006501-) Fitting, Hyd, E90, Fm04/Om04	2	
18	630448	(006501-) Pin, Clevis, 0.50d X 2.25l	1	
19	08236	(006501-) Pin, Cotter, .156 X 1.25	2	
20	1211061	(006501-) Door Wldt, Hppr	1	
21	1211096	(006501-) Bracket Wldt, Door	2	
22	1040759	(006501-) Bearing, Journal- 1.25 I.D. X .75 Lg	2	
23	1037354	(006501-) Screw, Hex, M8 X 1.25 X 30, 9.8, Sems	8	
24	1213549	(006501-) Pin, Clevis (Shoulder)	1	
25	1037355	(006501-) Screw, Hex, M8 X 1.25 X 35, 9.8, Sems	1	
26	32491	(006501-) Washer, Flat, 0.31, Std	1	
27	08713	(006501-) Nut, Hex, Lock, M8 X 1.25, NI, Ss	1	
28	1212373	(006501-) Washer, Retainer, Door, Dump	2	
29	69972	(006501-) Screw, Hex, M12 X 1.75 X 40, 10.9	2	
30	36328	(006501-) Washer, Flat, Belleville, .50	2	
31	32493	(006501-) Washer, Flat, 0.50, Std	2	
32	08711	(006501-) Nut, Hex, Lock, M12 X 1.75, NI	2	
33	1210807	(006501-) Wire, Tie [W/.25" Fir Tree Clip]	2	
34	67767	(006501-) Clamp, Cable, Stl, 0.69d X 0.62w, 1hole	2	

Fig. 36 - Hopper Cylinder and Dump Door Group, Steel

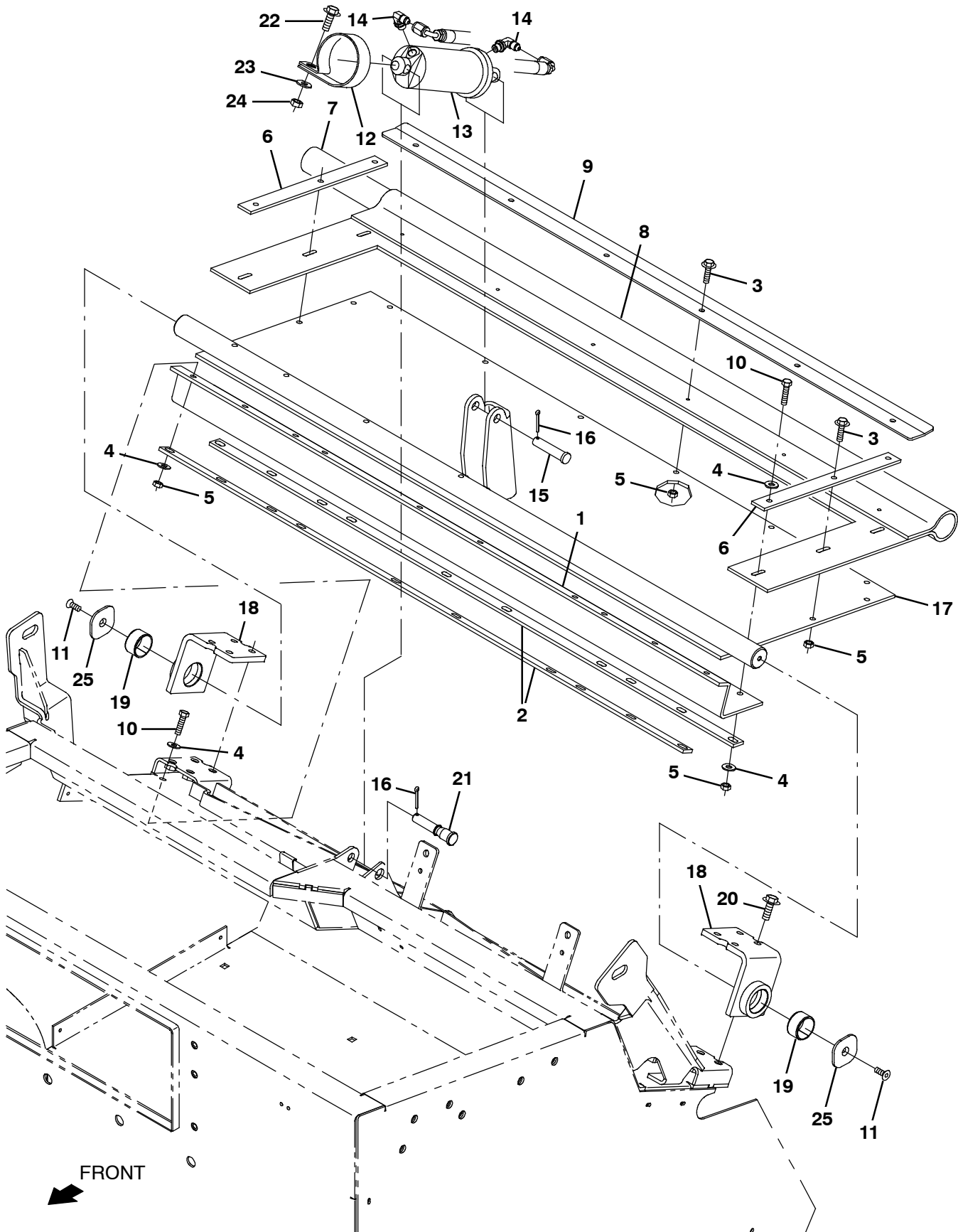


Fig. 36 - Hopper Cylinder and Dump Door Group, Steel

Ref.	Part No.	Serial Number	Description	Qty.
▽	9013116	(006501-) Skirt Kit, Door, Hppr, Maint [S30]	1
▲	1 1212570	(006501-) Seal, Wiper, Door	1
▲	2 1212756	(006501-) Retainer, Seal	2
▲	3 1037345	(006501-) Screw, Hex, M6 X 1.00 X 30, 9.8, Sems	16
▲	4 32490	(006501-) Washer, Flat, 0.25, Std	34
▲	5 08712	(006501-) Nut, Hex, Lock, M6 X 1.00, NI, Ss	28
▲	6 1044950	(006501-) Strap, Door, Dump, Side	2
▲	7 1030218	(006501-) Cord, Sponge	1
▲	8 1212440	(006501-) Seal, Door, Dump	1
▲	9 1044419	(006501-) Plate, Retainer, Door, Dump	1
▲	10 06946	(006501-) Screw, Hex, M6 X 1.00 X 35, 8.8	12
	11 09062	(006501-) Screw, Flt, Soc, M6 X 1.00 X 16, 10.9	2
	12 70157	(006501-) Clamp, Cable, Ss, 2.50d X 1.00w, 1hole	1
	13 1038176	(006501-) Cylinder, Hyd, 2.0b 08.0l 04.00strk 2500	1
	14 762427	(006501-) Fitting, Hyd, E90, Fm04/Om04	2
	15 630448	(006501-) Pin, Clevis, 0.50d X 2.25l	1
	16 08236	(006501-) Pin, Cotter, .156 X 1.25	2
	17 1211061	(006501-) Door Wldt, Hppr	1
	18 1211096	(006501-) Bracket Wldt, Door	2
	19 1040759	(006501-) Bearing, Journal- 1.25 I.D. X .75 Lg	2
	20 1037354	(006501-) Screw, Hex, M8 X 1.25 X 30, 9.8, Sems	8
	21 1213549	(006501-) Pin, Clevis (Shoulder)	1
	22 1037355	(006501-) Screw, Hex, M8 X 1.25 X 35, 9.8, Sems	1
	23 32491	(006501-) Washer, Flat, 0.31, Std	1
	24 08713	(006501-) Nut, Hex, Lock, M8 X 1.25, NI, Ss	1
	25 1212373	(006501-) Washer, Retainer, Door, Dump	2

Fig. 37 - Hopper Cover Group

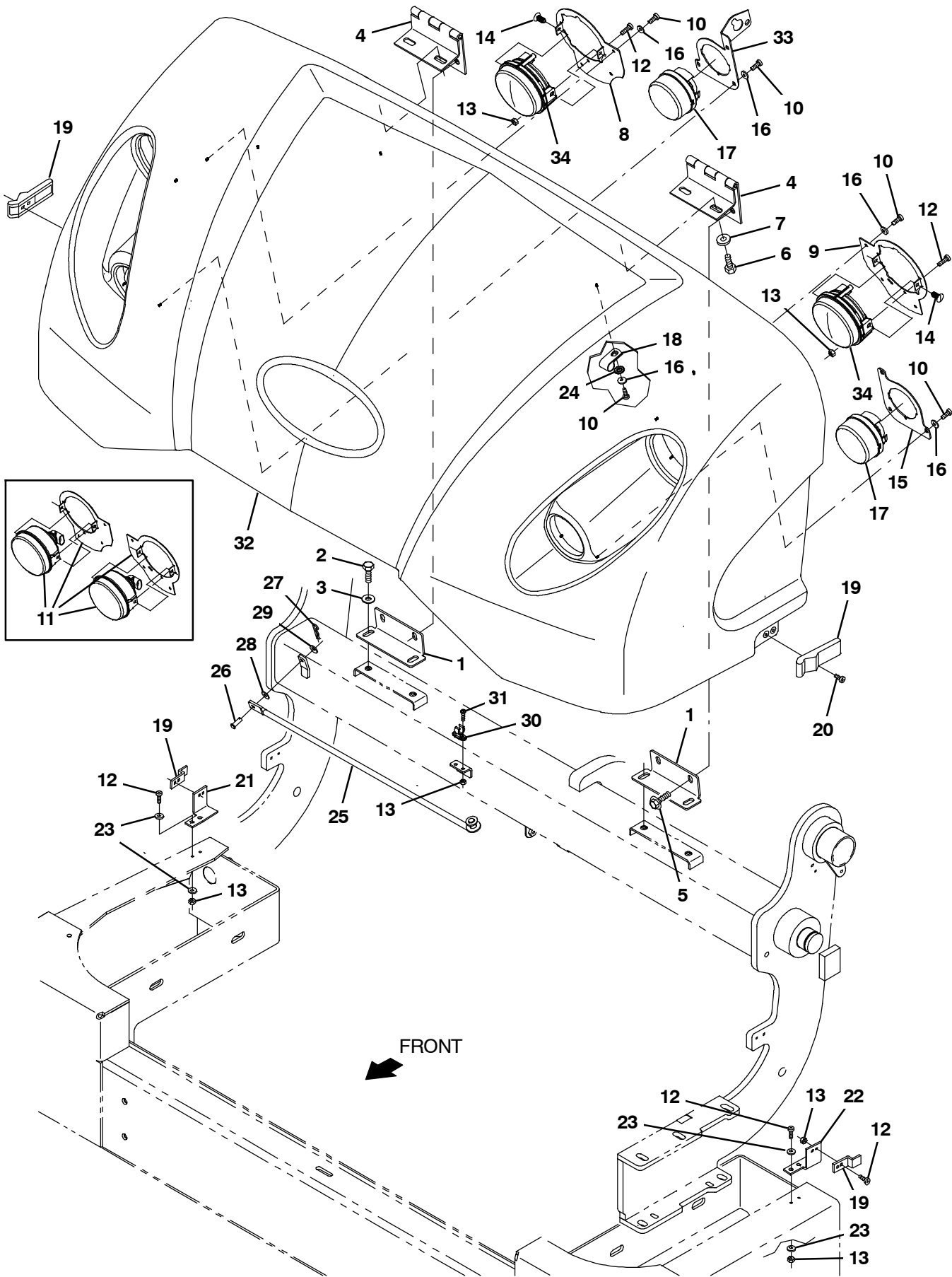


Fig. 37 - Hopper Cover Group

Ref.	Part No.	Serial Number	Description	Qty.	
1	1211012	(006501-) Angle, Mtg, Cover, Hppr	2	
2	09740	(006501-) Screw, Hex, M8 X 1.25 X 20, Ss	4	
3	01685	(006501-) Washer, Flat, 0.38b 0.88d .08, Ss	4	
4	1211024	(006501-) Hinge Wldt, Mtg, Cover, Hppr [S30]	2	
5	1037346	(006501-) Screw, Hex, M8 X 1.25 X 25, 9.8, Sems	4	
6	15675	(006501-) Screw, Hex, M8 X 1.25 X 16, Ss	4	
7	32491	(006501-) Washer, Flat, 0.31, Std	4	
8	1242881	(006948-) Plate, Ring, Headlight, Rh	1	
9	1242555	(006948-) Plate, Ring, Headlight, Lh	1	
10	360943	(006501-) Screw, Pan, 12- 16 X 0.75, F/ Plstc	17	
▽	11	9018569	(006501- 006947) Headlight Kit, Led, Replmt [S30]	1	
▲		1060413	(006501- 006947) Lamp, 12vdc, 37.5watt, Halogen	1	
	12	06927	(006501-) Screw, Pan, Phl, M4 X 0.70 X 16, 4.8	10
	13	02850	(006501-) Nut, Hex, Lock, M4 X 0.70, NI	12
	14	1066063	(006501-) Plug, Hole, Rnd, 0.25h 0.43l, Brb, Nyl	4
	15	1057934	(006501-) Plate, Ring, Light	1
	16	19066	(006501-) Washer, Flat, 10	17
	17	1029238	(006501-) Lens Assy, W/ Reflector	2
	18	82829	(006501-) Clamp, Cable, Stl, 0.63d X 0.75w, 1hole	4
	19	49800	(006501-) Latch	2
	20	49697	(006501-) Screw, Pan, Phl, M4 X 0.70 X 10, Ss	4
	21	1039971	(006501-) Bracket, Latch, Rh	1
	22	1039999	(006501-) Bracket, Latch, Lh	1
	23	19065	(006501-) Washer, Flat, 08	8
	24	41139	(006501-) Washer, Lock, Int- ext, 10	4
	25	1212389	(006501-) Rod Wldt, Prop, Cover, Hppr	1
	26	28296	(006501-) Pin, Clevis, 0.25d X 0.50l	1
	27	44906	(006501-) Pin, Cotter, Hair, 0.38d .093 Wir	1
	28	43454	(006501-) Washer, Flat, 0.34b 0.69d .06, Nyl	1
	29	32483	(006501-) Washer, Flat, 0.25, Sae	1
	30	1061002	(006501-) Clip, Grip, Rod, 0.49- 0.63, Blk Plstc.	1
	31	06927	(006501-) Screw, Pan, Phl, M4 X 0.70 X 16, 4.8	2
	32	1056815	(006501-) Cover, Hppr, Rm- Cptl, Trimmed	1
	33	1215646	(006501-) Plate, Ring, Light	1
	34	1242544	(006948-) Headlight, Led, Rnd [S20/S30 lc]	2

Fig. 38 - Hopper Lift Arms and Bumper Group

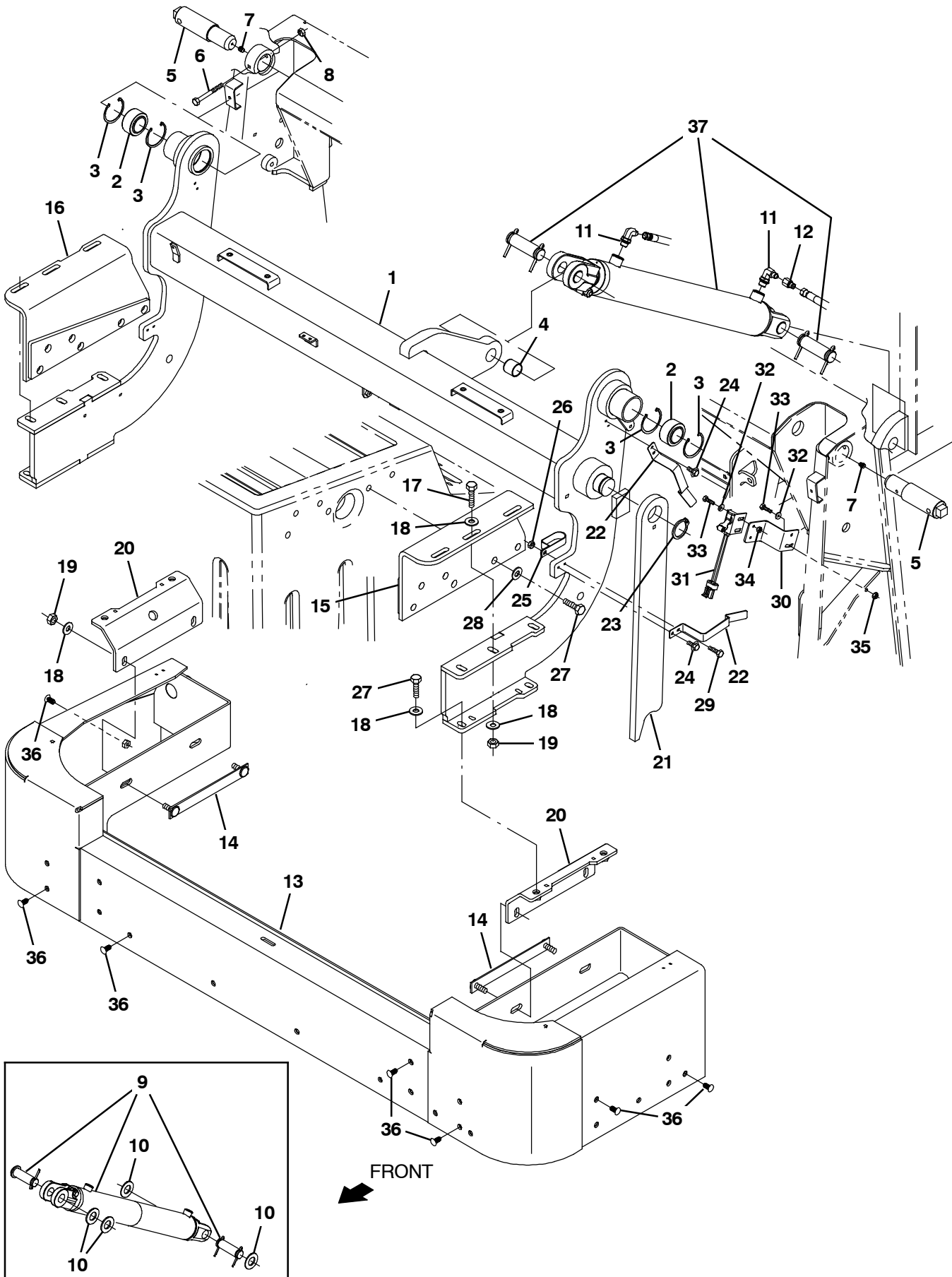


Fig. 38 - Hopper Lift Arms and Bumper Group

Ref.	Part No.	Serial Number	Description	Qty.	
1	1210785	(006501-) Arm Wldt, Hppr, Rear Dump	1	
2	42120- 1	(006501-) Bearing, Self Align, 1.25b 2.00d	2	
3	59542	(006501-) Ring, Retaining, Int, 2.00d	4	
4	35529	(006501-) Bushing, Sleeve, 1.00b 1.13d 0.99l, Fgl	1	
5	1212820	(006501-) Pin, Lift, Hppr	2	
6	39279	(006501-) Screw, Hex, M8 X 1.25 X 70, 8.8	2	
7	07259	(006501-) Fitting, Grease, Str Pm04 .47l	2	
8	08709	(006501-) Nut, Hex, Lock, M8 X 1.25, NI	2	
▽	9	1038915	(006501-006823) Cylinder, Hyd, 2.5b 28.6l 18.62strk 3000	1	
▲		373702	(006501-006823) Seal Kit	1	
10	32598	(006501-006823)	Washer, Flat, 1.02b 1.75d .12, Stl	4	
11	762425	(006501-) Fitting, Hyd, E90, Fm04/Om06	2	
12	1067059	(006501-) Fitting, Hyd, Rst, Fm04/Of04, .047	1	
13	1212410	(006501-) Bumper Wldt, Front	1	
14	1210948	(006501-) Plate Wldt, Mtg, Bumper	2	
15	1210931	(006501-) Bracket Wldt, Mtg, Hppr, Rh	1	
16	1210940	(006501-) Bracket Wldt, Mtg, Hppr, Lh	1	
17	39285	(006501-) Screw, Hex, M10 X 1.50 X 40, 8.8	6	
18	01686	(006501-) Washer, Flat, 0.44b 1.00d .08, Ss	16	
19	41430	(006501-) Nut, Hex, Lock, M10 X 1.5, NI	10	
20	1210954	(006501-) Bracket Wldt, Mtg, Bumper	2	
21	9004527	(006501-) Arm, Safety, Hppr, W/ Label, Replmt	1	
22	1210813	(006501-) Clip, Spring, Prop Arm	2	
23	63296	(006501-) Plate, Brake, Pedal	1	
24	222158	(006501-) Screw, Hex, M6 X 1.00 X 10, Fmg	4	
25	67366	(006501-) Clamp, Cable, Stl, 1.0x2.0x0.62w, 1hole	1	
26	08708	(006501-) Nut, Hex, Lock, M6 X 1.00, NI	1	
27	39284	(006501-) Screw, Hex, M10 X 1.50 X 35, 8.8	16	
28	32492	(006501-) Washer, Flat, 0.38, Std	12	
29	06944	(006501-) Screw, Hex, M6 X 1.00 X 25, 8.8	1	
30	1212087	(006501-) Bracket, Mtg, Switch	1	
31	367404	(006501-) Switch, Snap, 15a No, Rlr	1	
32	19066	(006501-) Washer, Flat, 0.25b 0.56d .05, Pl, 10	4	
33	09252	(006501-) Screw, Hex, M5 X 0.80 X 20, 8.8	4	
34	06549	(006501-) Nut, Hex, Lock, M5 X 0.80, NI	4	
35	07789	(006501-) Nut, Hex, Flng, M5 X 0.80	2	
36	21168	(006501-) Plug, Hole, Rnd, 0.25h 0.8l, Brb, Nyl	26	
▽	37	1048538	(006824-) Cylinder, Hyd, 2.5b 28.6l 18.62strk 3000	1
▲		9011419	(006824-) Seal Kit, Cyl, Hyd	1

Fig. 39 - Hopper Counter Weight Group, Steel

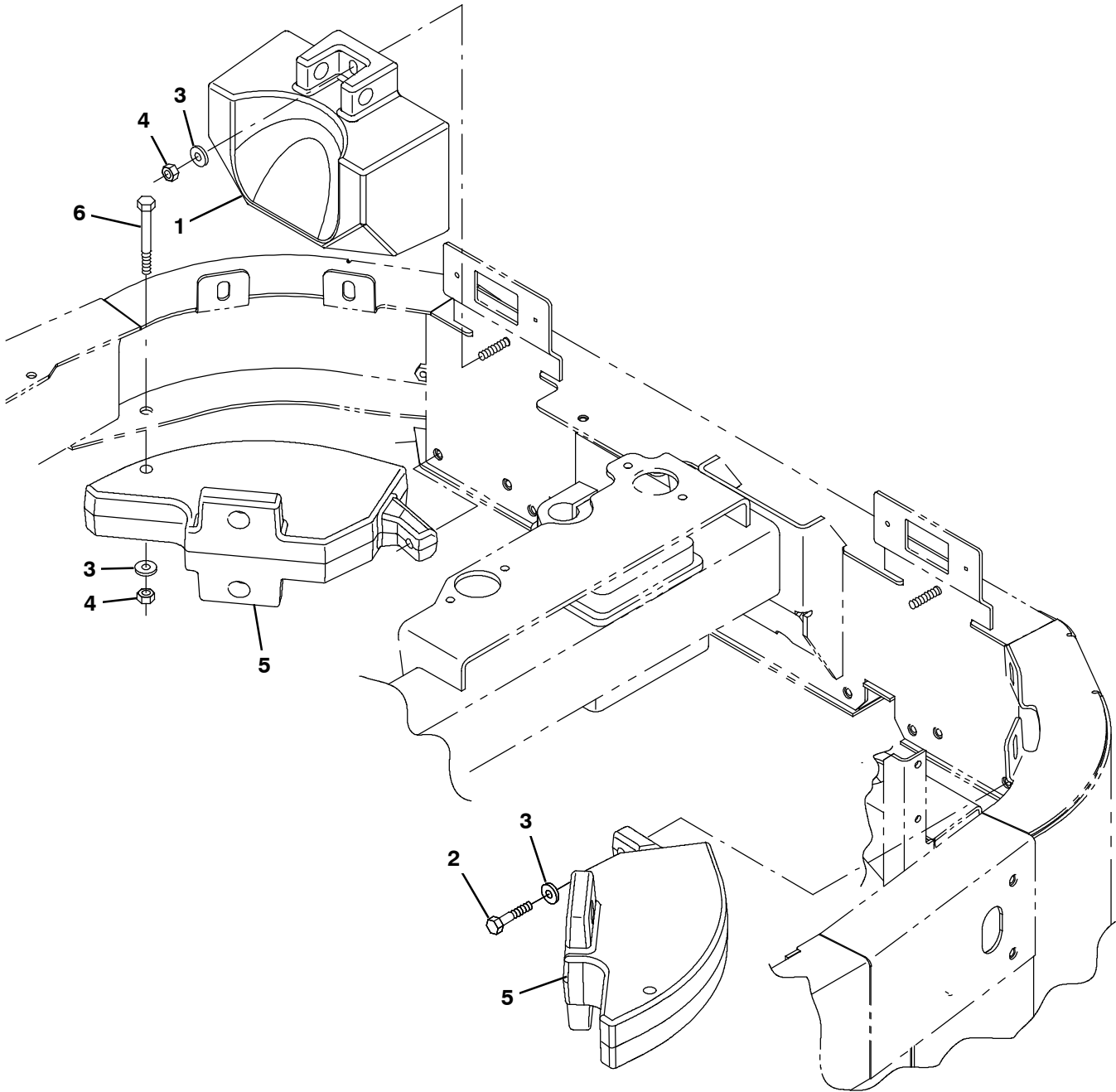


Fig. 39 - Hopper Counter Weight Group, Steel

Ref.	Part No.	Serial Number	Description	Qty.
1	1031503	(006501-) Weight, Counter, Casting, 72.8lb	1
2	16930	(006501-) Screw, Hex, M10 X 1.50 X 50, 8.8	3
3	32493	(006501-) Washer, Flat, 0.50, Std	6
4	08714	(006501-) Nut, Hex, Lock, M10 X 1.5, NI, Ss	3
5	1034978	(006501-) Weight, Counter, Casting, 52.8lb	2
6	03193	(006501-) Screw, Hex, M10 X 1.50 X 90, 8.8	2

Fig. 40 - Hopper Pre-Filter Group

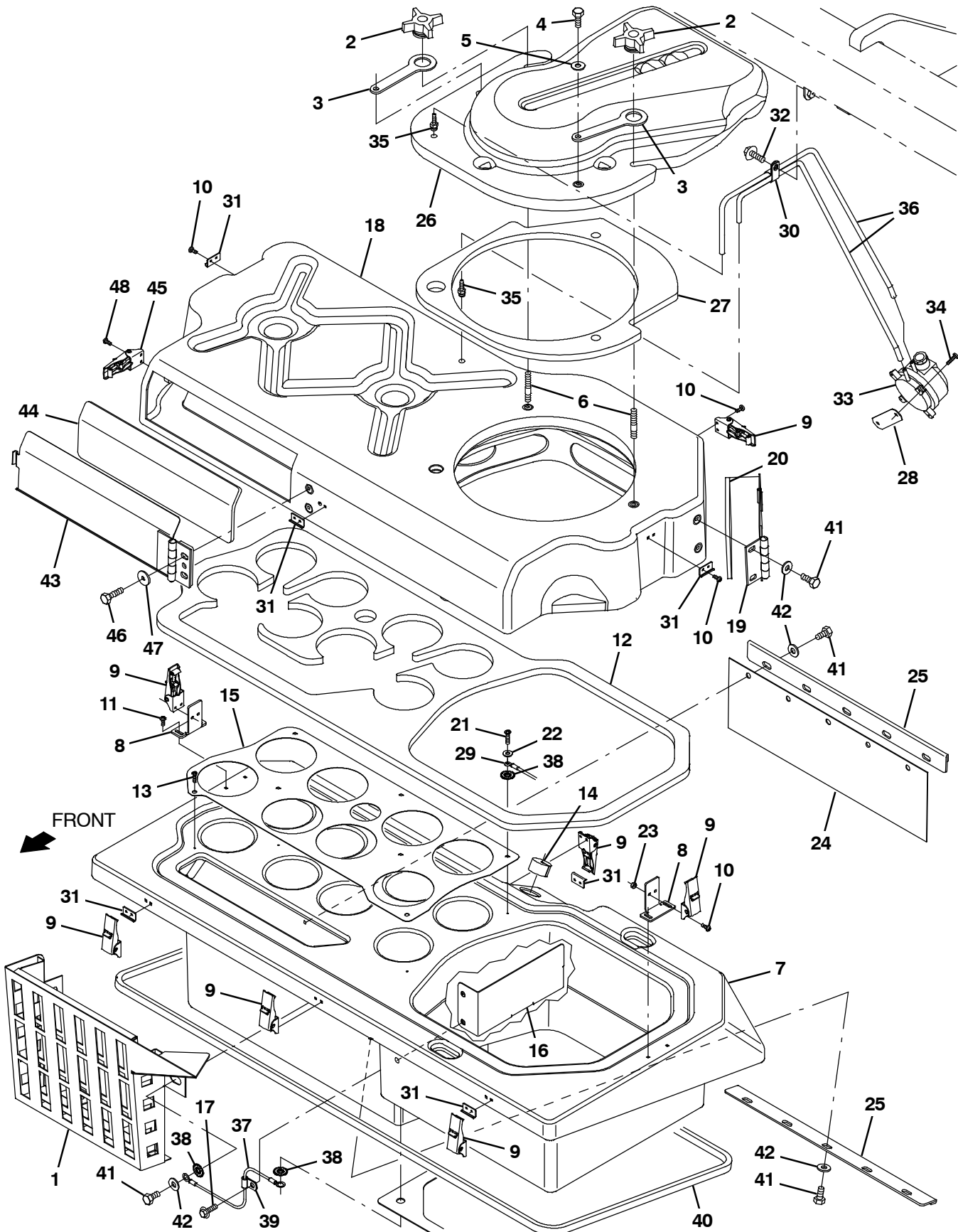


Fig. 40 - Hopper Pre-Filter Group

Ref.	Part No.	Serial Number	Description	Qty.
	1	1211263	(006501-) Panel Wldt, Perma Filter	1
▽		9013364	(006501-) Strap Kit, Knob, Filtr Box [S30]	1
▲	2	1048335	(006501-) Knob, Star, 2.75d 4ear 1.1l M8x1.25	2
▲	3	1048353	(006501-) Strap, Rbr	2
▲	4	15675	(006501-) Screw, Hex, M8 X 1.25 X 16, Ss	2
▲	5	01685	(006501-) Washer, Flat, 0.38b 0.88d .08, Ss	2
▲	6	1049860	(006501-) Stud, M8 X 1.25 [55.0]	2
	7	1210746	(006501-) Box, Lower, Cyclone, Trimmed	1
	8	1213221	(006501-) Bracket, Mtg, Cyclonics	2
	9	384418	(006501-) Latch, Door [Southco 91- 562- 07]	7
	10	06925	(006501-) Screw, Pan, Phl, M4 X 0.70 X 6, 4.8	16
	11	24265	(006501-) Screw, Pan, Phl, M4 X 0.70 X 16, Ss	4
	12	1210796	(006501-) Gasket, Tray, Cyclonic	1
	13	360943	(006501-) Screw, Pan, Phl, 10- 14 X 0.75, F/ Plstc	7
	14	1049982	(006501-) Seal, Foam	1
	15	1213817	(006501-) Plate, Grounding, Cyclone	1
	16	1213825	(006501-) Bracket Wldt	1
	17	1040467	(006501-) Screw, Hex, M6 X 1.00 X 20, 9.8, Sems	3
	18	1211007	(006501-) Box, Pre- Filter, Upper	1
	19	1212149	(006501-) Door Wldt, Cleanout	1
	20	1212512	(006501-) Seal, Cleanout Door	1
	21	09200	(006501-) Screw, Pan, Phl, M5 X 0.80 X 12, Ss	1
	22	01683	(006501-) Washer, Flat, 10, Ss	1
	23	02850	(006501-) Nut, Hex, Lock, M4 X 0.70, NI	4
	24	1211566	(006501-) Seal Assy, Door, Cyclonics	1
	25	1211554	(006501-) Retainer, Seal, Door	2
	26	1210996	(006501-) Cover, Filter, Trimmed	1
	27	1213191	(006501-) Gasket, Cover	1
	28	1213382	(006501-) Plate, Sensor, Pressure	1
	29	1074155	(006501-) Wire, 10ga, 35.0l, Grn, M8 Ring/M6 Ring	1
	30	67767	(006501-) Clamp, Cable, Stl, 0.69d X 0.62w, 1hole	1
	31	384419	(006501-) Bracket, Latch, Keeper [Southco]	6
	32	1037346	(006501-) Screw, Hex, M8 X 1.25 X 25, 9.8, Sems	1
	33	9009247	(006501-) Switch Kit, Press, Replmt[S30]	1
	34	06927	(006501-) Screw, Pan, Phl, M4 X 0.70 X 16, 4.8	2
	35	40607	(006501-) Fitting, Brs, Str, Bm03/Pm02	2
	36	1031576	(006501-) Hose, Afmkt, Vacuum, 0.16id, 08ft	1
	37	1074156	(006501-) Wire, 10ga, 15.0l, Grn, M8 Ring/M8 Ring	1
	38	41140	(006501-) Washer, Lock, Int- Ext, 0.25	3
	39	46236	(006501-) Clamp, Cable, Stl, 0.25d X 0.56w, 1hole	1
	40	1211682	(006501-) Seal, Hopper, Box, Lower	1
	41	15675	(006501-) Screw, Hex, M8 X 1.25 X 16, Ss	14
	42	01685	(006501-) Washer, Flat, 0.38b 0.88d .08, Ss	14
	43	1233504	(008826-) Door Wldt, Cleanout [S30]	1
	44	1236153	(008826-) Seal, Cleanout Door	1
	45	384418	(008826-) Latch, Door [Southco 91- 562- 07]	1
	46	1037355	(008826-) Screw, Hex, M8 X 1.25 X 35, 9.8, Sems	2
	47	32491	(008826-) Washer, Flat, 0.31, Std	2
	48	24265	(008826-) Screw, Pan, Phl, M4 X 0.70 X 16, Ss	2

Fig. 41 - Hopper Vacuum Fan Group

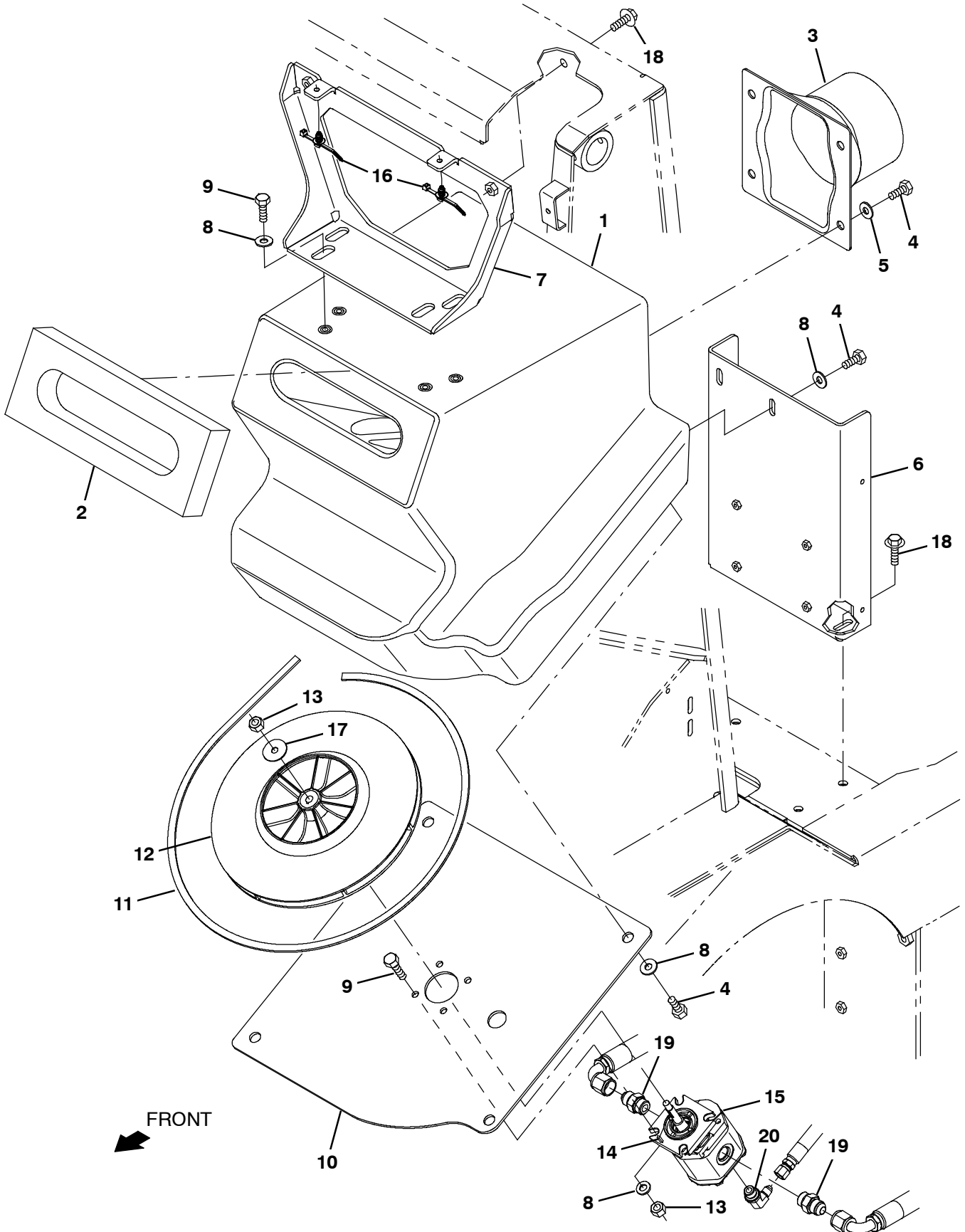


Fig. 41 - Hopper Vacuum Fan Group

Ref.	Part No.	Serial Number	Description	Qty.
1	1211570	(006501-) Housing, Fan, Rm- Cphg	1
2	1212709	(006501-) Gasket, Vacuum	1
3	1031122	(006501-) Duct, Outlet, Vacuum	1
4	16931	(006501-) Screw, Hex, M8 X 1.25 X 20, 8.8	8
5	1017218	(006501-) Washer, Flat, 0.32b 1.00d .12, Ss	4
6	1215033	(006501-) Bracket Wldt, Mtg, Fan	1
7	1212592	(006501-) Bracket Wldt, Mtg, Fan	1
8	32491	(006501-) Washer, Flat, 0.31, Std	12
9	39277	(006501-) Screw, Hex, M8 X 1.25 X 25, 8.8	8
10	1211691	(006501-) Plate, Fan, [Phoenix]	1
11	1046426	(006501-) Seal, Afmkt, Rbr, Clsd, Adh, 08ft	1
12	1039127	(006501-) Impeller Assy, Vacfan [Coyote]	1
13	08709	(006501-) Nut, Hex, Lock, M8 X 1.25, NI	5
14	00960	(006501-) Key, Sq, 0.12 X 0.12, 0.50l	1
15	1039846	(006501-) Motor, Hyd, Gear, Ext 0.28 Rh 3000	1
16	1210807	(006501-) Wire, Tie [W/.25" Fir Tree Clip]	2
17	30013	(006501-) Washer, Flat, 0.31, Fendr	1
18	1037346	(006501-) Screw, Hex, M8 X 1.25 X 25, 9.8, Sems	4
19	762445	(006501-) Fitting, Hyd, Str, Fm08/Om08	2
20	762425	(006501-) Fitting, Hyd, E90, Fm04/Om06	1

Fig. 42 - Hopper Filter Shaker Group

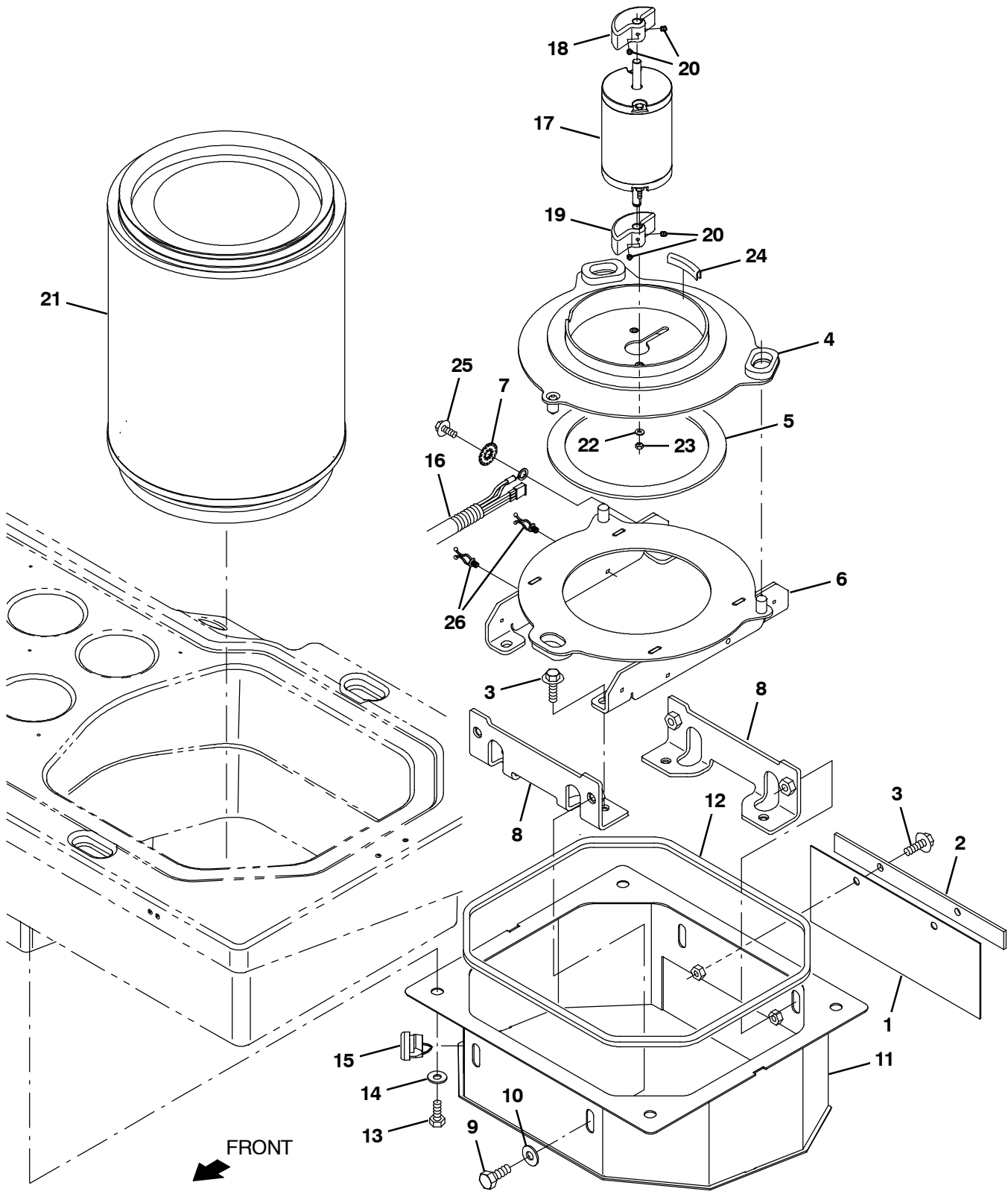


Fig. 42 - Hopper Filter Shaker Group

Ref.	Part No.	Serial Number	Description	Qty.
1	1211378	(006501-) Seal Assy, Door, Shagr	1
2	1211409	(006501-) Retainer, Seal, Door	1
3	1037346	(006501-) Screw, Hex, M8 X 1.25 X 25, 9.8, Sems	6
4	1044352	(006501-) Bracket Wldt, Fltr	1
5	1044351	(006501-) Spacer, Fltr	1
6	1211379	(006501-) Bracket Wldt, Shagr, Filter	1
7	41140	(006501-) Washer, Lock, Int- Ext, 0.25	1
8	1211382	(006501-) Angle Wldt, Mtg, Shagr	2
9	06961	(006501-) Screw, Hex, M10 X 1.5	4
10	32492	(006501-) Washer, Flat, 0.38, Std	4
11	1211353	(006501-) Tray Wldt, Debris, Filter	1
12	1211685	(006501-) Seal, Tray, Debris, Shaker	1
13	15675	(006501-) Screw, Hex, M8 X 1.25 X 16, Ss	4
14	01685	(006501-) Washer, Flat, 0.38b 0.88d .08, Ss	4
15	1051199	(006501-) Strainrelief	1
16	1047717	(006501-) Harness, Shagr, Motor [S20]	1
17	1075327	(006501-) Motor, Ele, 12vdc 2108rpm 0.09hp 07.0a	1
18	1053291	(006501-) Weight, Eccentric, Pntd	1
19	1053321	(006501-) Weight, Eccentric, Pntd	1
20	39322	(006501-) Screw, Set, Soc, 10- 24 X 0.38, Al	4
21	1045900	(006501-) Filter, Cyl, 11.09d, 13.31l, 6.724 ld	1
22	19066	(006501-) Washer, Flat, 0.25b 0.56d .05, Pl, 10	2
23	86618	(006501-) Nut, Hex, Lock, #10- 32, NI	2
24	50850	(006501-) Molding, Trim, Pvc, .08- .11 03.2l	1
25	74455	(006501-) Screw, Hex, M6 X 1.00 X 12, Fmg	1
26	30406	(006501-) Clip, Keeper	2

Fig. 43 - Side Brush Lift Group, S30

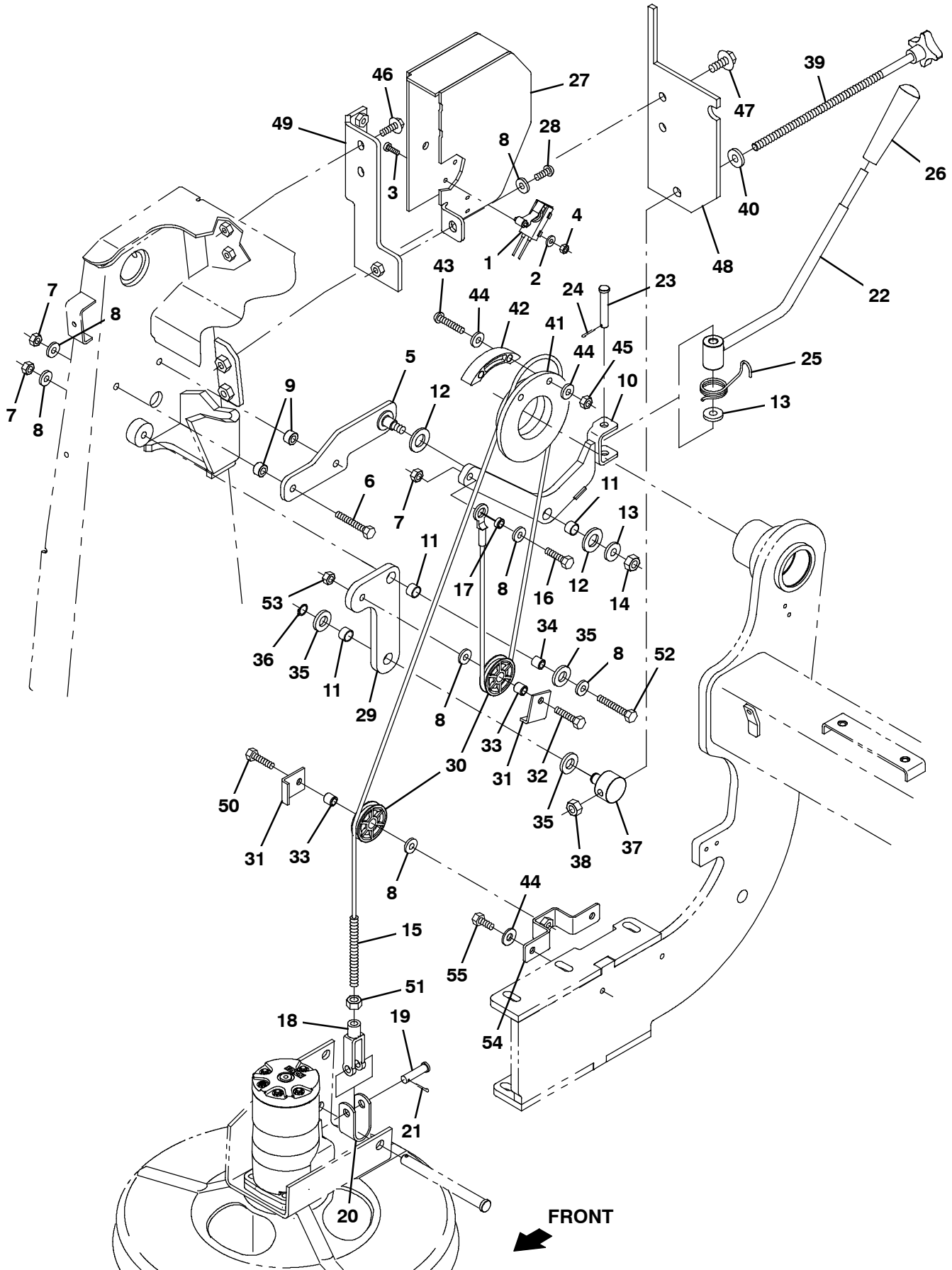


Fig. 43 - Side Brush Lift Group, S30

Ref.	Part No.	Serial Number	Description	Qty.
1	367403	(006501-) Switch, Snap, 15a Nc, Rlr	1
2	19066	(006501-) Washer, Flat, 10	2
3	1045487	(006501-) Screw, Pan, Phl, M5 X 0.80 X 16, Blk	2
4	06549	(006501-) Nut, Hex, Lock, M5 X 0.80, NI	2
5	1038329	(006501-) Bracket Wldt, Brush, Side	1
6	41342	(006501-) Screw, Hex, M8 X 1.25 X 40, 8.8	2
7	08709	(006501-) Nut, Hex, Lock, M8 X 1.25, NI	4
8	39349	(006501-) Washer, Flat, 0.31, Sae	11
9	360460	(006501-) Sleeve, P/M, 0.33b 0.63d 0.4l, Ss / Oil	2
10	1038372	(006501-) Lever Wldt, Brush, Side	1
11	64173	(006501-) Bushing, Sleeve, 0.50b 0.59d 0.38l, Stl	3
12	64425	(006501-) Washer, Thrust, 0.61b 1.25d .06, Fgl	2
13	32485	(006501-) Washer, Flat, 0.38, Sae	2
14	41430	(006501-) Nut, Hex, Lock, M10 X 1.5, NI	1
15	1036702	(006501-) Cable, Glv .13d 063.4l .50eye / M10	1
16	76570	(006501-) Screw, Hex, M8 X 1.25 X 30, 8.8	1
17	360801	(006501-) Sleeve, 0.31b 0.50d 0.3l, Ss	1
18	12267	(006501-) Clevis, Adj, 0.38pin, M10x1.5	1
19	29558	(006501-) Pin, Clevis, 0.37d X 1.50l	1
20	59899	(006501-) Bracket, U, .12, 1.2w 2.3 1.0l, 2/0.6h	1
21	08179	(006501-) Pin, Cotter, .094 X 1.00	1
22	1037265	(006501-) Arm Wldt, Lever	1
23	51813	(006501-) Pin, Clevis, 0.37d X 2.12l	1
24	08182	(006501-) Pin, Cotter, .125 X 1.00	1
25	1037476	(006501-) Spring, Tors, 1.09id .11wir 03.0coil	1
26	54995	(006501-) Knob, 1.12d 3.86l M10 X 1.5, Plstc Tpr]	1
27	1038101	(006501-) Bracket Wldt	1
28	1031665	(006501-) Screw, Pan, M8 X 1.25 X 25, Blk	3
29	1038060	(006501-) Plate, Adj, Brush	1
30	369781	(006501-) Pulley, Cable, 1.5d Nyl	2
31	54400	(006501-) Bracket, Angle, Keeper, Cable	2
32	59658	(006501-) Screw, Hex, M8 X 1.25 X 35, NI, Ss	1
33	222460	(006501-) Sleeve, P/M, 0.31b 0.50d 0.5l [430ss]	1
34	223609	(006501-) Sleeve, P/M, 0.31b 0.50d 0.5l [430ss]	1
35	32486	(006501-) Washer, Flat, 0.50, Sae	3
36	86953	(006501-) Ring, Retaining, Ext, 0.50d, Ss	1
37	1039228	(006501-) Pivot, Adj, Brush	1
38	41430	(006501-) Nut, Hex, Lock, M10 X 1.5, NI	1
39	1039553	(006501-) Knob Assy,Star,1.97d 4ear M10x1.5 10.75l	1
40	763042	(006501-) Washer, Flat, Belleville, M10	1
41	1034760	(006501-) Pulley, Cable, 3.1d 2.30b, .19d Cable	1
42	1034763	(006501-) Retainer, Pulley	1
43	397826	(006501-) Screw, Btn, M8 X 1.25 X 40, Ss	2
44	01685	(006501-) Washer, Flat, 0.38b 0.88d .08, Ss	6
45	08713	(006501-) Nut, Hex, Lock, M8 X 1.25, NI, Ss	2
46	1037354	(006501-) Screw, Hex, M8 X 1.25 X 30, 9.8, Sems	2
47	1037358	(006501-) Screw, Hex, M10 X 1.50 X 35, 9.8, Sems	2
48	1060763	(006501-) Plate, Lift, Brush	1
49	1038896	(006501-) Plate, Lift, Brush	1
50	76570	(006501-) Screw, Hex, M8 X 1.25 X 30, 8.8	1
51	32716	(006501-) Nut, Hex, Jam, M10 X 1.5, Ss	1
52	39278	(006501-) Screw, Hex, M8 X 1.25 X 50, 8.8	1
53	39311	(006501-) Nut, Hex, Std, M8 X 1.25	1
54	1210805	(006501-) Bracket Wldt, Arm	1
55	15675	(006501-) Screw, Hex, M8 X 1.25 X 16, Ss	1

Fig. 44 - Side Brush Motor and Pivot Group, S30

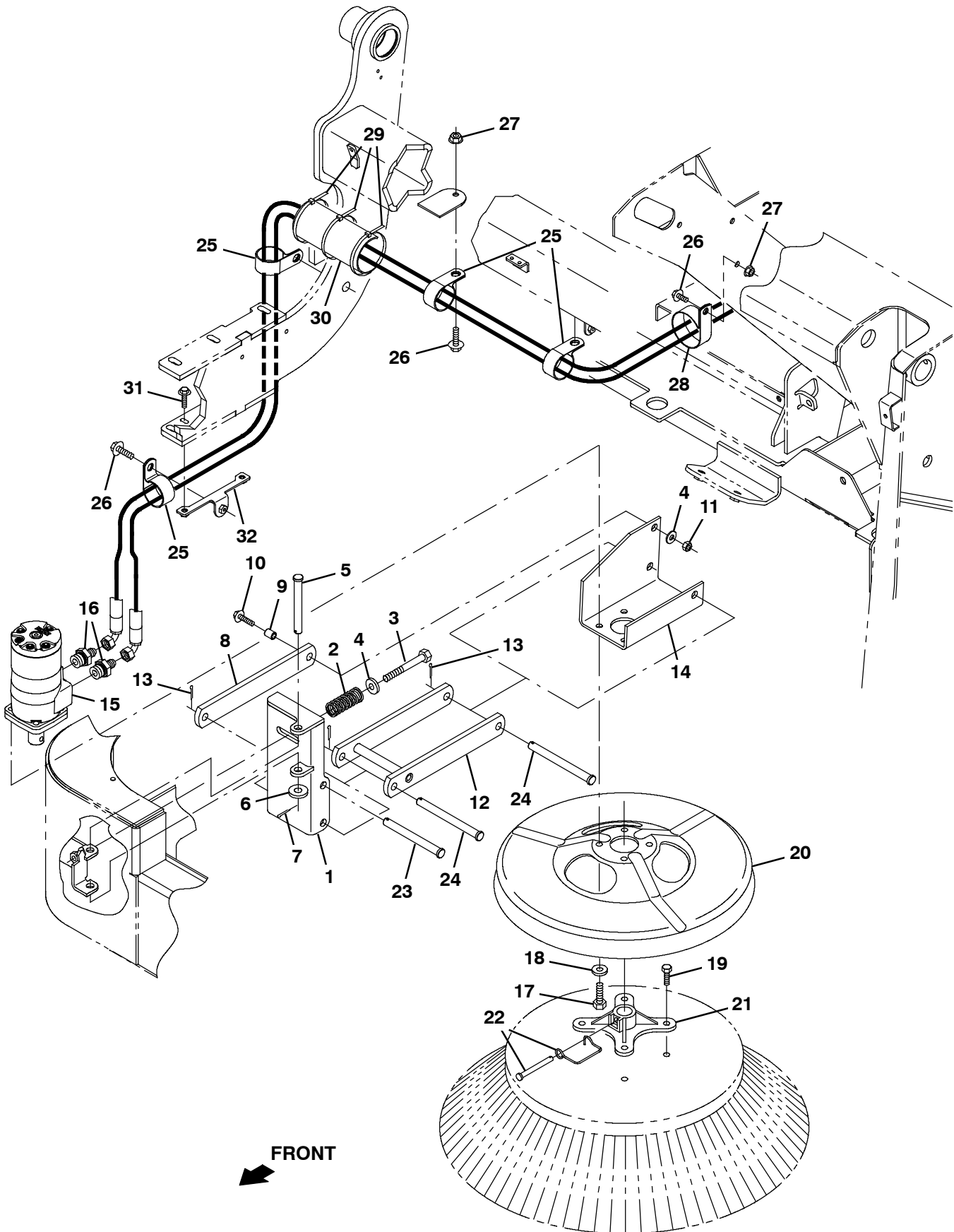


Fig. 44 - Side Brush Motor and Pivot Group, S30

Ref.	Part No.	Serial Number	Description	Qty.
1	1029704	(006501-) Pivot Wldt, Brush, Side	1
2	45261	(006501-) Spring, Cmpr, 0.97od .11wir 02.5l	1
3	06965	(006501-) Screw, Hex, M10 X 1.50 X 80, 8.8	1
4	32485	(006501-) Washer, Flat, 0.38, Sae	2
5	222196	(006501-) Pin, Clevis, 0.50d X 4.25l	1
6	32486	(006501-) Washer, Flat, 0.50, Sae	1
7	08175	(006501-) Pin, Cotter, .125 X 1.25	1
8	1029709	(006501-) Arm, Brush, Side	1
9	80395	(006501-) Sleeve, P/M, 0.31b 0.50d 0.7l [430ss]	1
10	1037355	(006501-) Screw, Hex, M8 X 1.25 X 35, 9.8, Sems	1
11	08709	(006501-) Nut, Hex, Lock, M8 X 1.25, NI	1
12	1029682	(006501-) Arm Wldt, Brush, Side	1
13	08182	(006501-) Pin, Cotter, .125 X 1.00	3
14	1029674	(006501-) Bracket, Mtg, Motor, Side Brush	1
15	1057338	(006501-) Motor, Hyd, Gear, Int 17.9 Bi- Dir 2500	1
16	762439	(006501-) Fitting, Hyd, Str, Fm06/Om10	2
17	46559	(006501-) Screw, Hex, .38- 16 X 1.25, NI	4
18	32492	(006501-) Washer, Flat, 0.38, Std	4
19	39394	(006501-) Screw, Hex, .31- 09 X 1.25, Wood	4
20	1054256	(006501-) Guard, Brush	1
21	47501	(006501-) Hub, Adapter, Brush, 1.00b	1
22	84581	(006501-) Pin Assy, Side Brush W/ Clip	1
23	51538	(006501-) Pin, Clevis, 0.50d X 5.00l	1
24	51225	(006501-) Pin, Clevis, 0.50d X 5.50l	2
25	53468	(006501-) Clamp, Cable, Stl, 1.75d X 1.00w, 1hole	4
26	1037346	(006501-) Screw, Hex, M8 X 1.25 X 25, 9.8, Sems	4
27	07791	(006501-) Nut, Hex, Fing, M8 X 1.25	3
28	70157	(006501-) Clamp, Cable, Ss, 2.50d X 1.00w, 1hole	2
29	44961	(006501-) Tie, Cable, Nyl, 14.5l .30w 4.0 Max D	3
30	762179	(006501-) Guard, Hose, Rbr, 5.0l	1
31	1037345	(006501-) Screw, Hex, M6 X 1.00 X 30, 9.8, Sems	2
32	1213656	(006501-) Bracket, Wldt,Mtg,Hyd	1

Fig. 45 - Side Brush Motor Group, S30 XP and X4

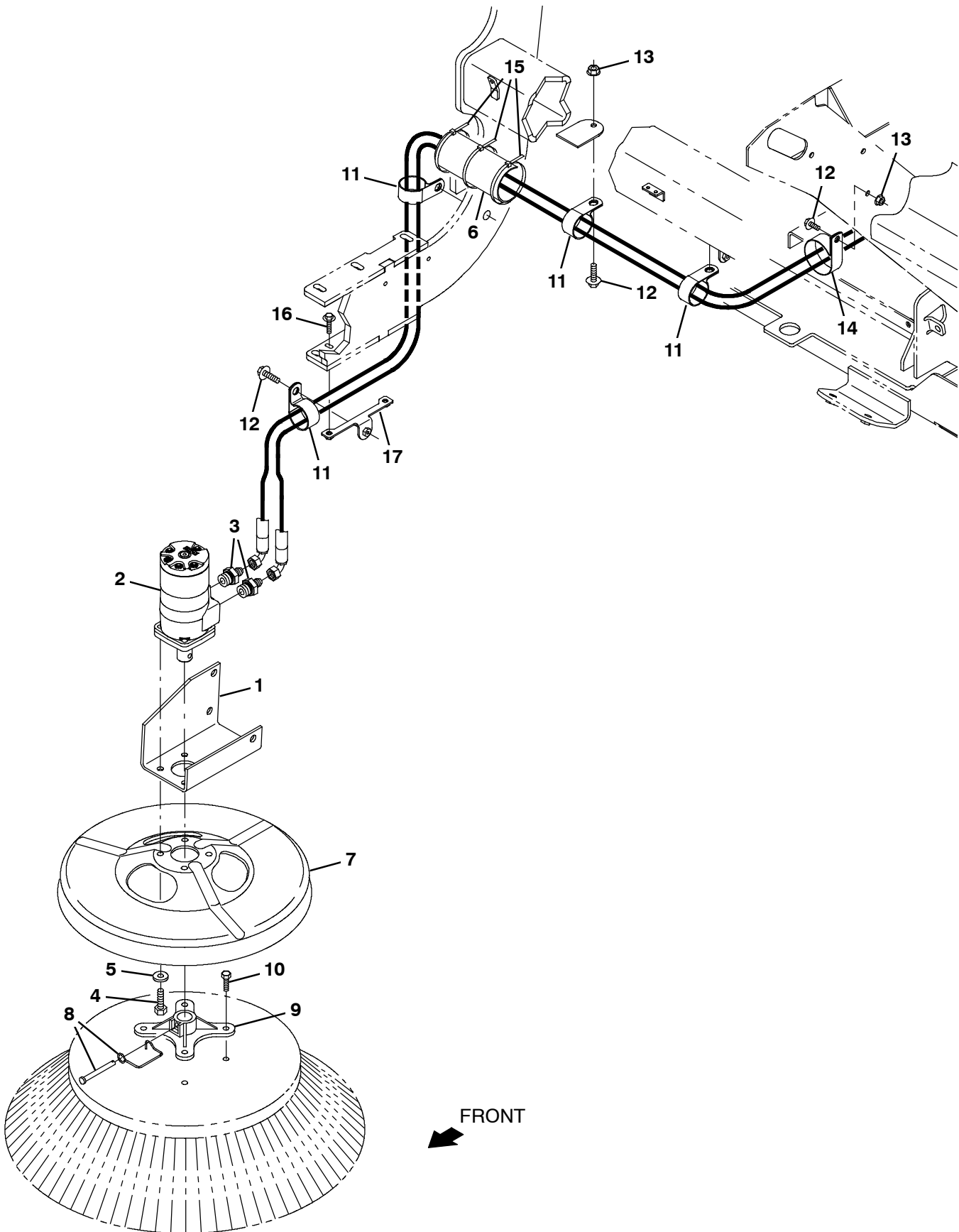


Fig. 45 - Side Brush Motor Group, S30 XP and X4

Ref.	Part No.	Serial Number	Description	Qty.
1	1029674	(006501-) Bracket, Mtg, Motor, Side Brush	1
2	1057338	(006501-) Motor, Hyd, Gear, Int 17.9 Bi- Dir 2500	1
3	762439	(006501-) Fitting, Hyd, Str, Fm06/Om10	2
4	46559	(006501-) Screw, Hex, .38- 16 X 1.25, NI	4
5	32492	(006501-) Washer, Flat, 0.38, Std	4
6	762179	(006501-) Guard, Hose, Rbr, 5.0l	1
7	1054256	(006501-) Guard, Brush	1
8	84581	(006501-) Pin Assy, Side Brush W/ Clip	1
9	47501	(006501-) Hub, Adapter, Brush, 1.00b	1
10	39394	(006501-) Screw, Hex, .31- 09 X 1.25, Wood	4
11	53468	(006501-) Clamp, Cable, Stl, 1.75d X 1.00w, 1hole	4
12	1037346	(006501-) Screw, Hex, M8 X 1.25 X 25, 9.8, Sems	4
13	07791	(006501-) Nut, Hex, Flng, M8 X 1.25	3
14	70157	(006501-) Clamp, Cable, Ss, 2.50d X 1.00w, 1hole	2
15	44961	(006501-) Tie, Cable, Nyl, 14.5l .30w 4.0 Max D	3
16	1037345	(006501-) Screw, Hex, M6 X 1.00 X 30, 9.8, Sems	2
17	1213656	(006501-) Bracket, Wldt, Mtg, Hyd	1

STANDARD PARTS

Fig. 46 - Side Brush Lift and Pivot Group, S30 XP and X4

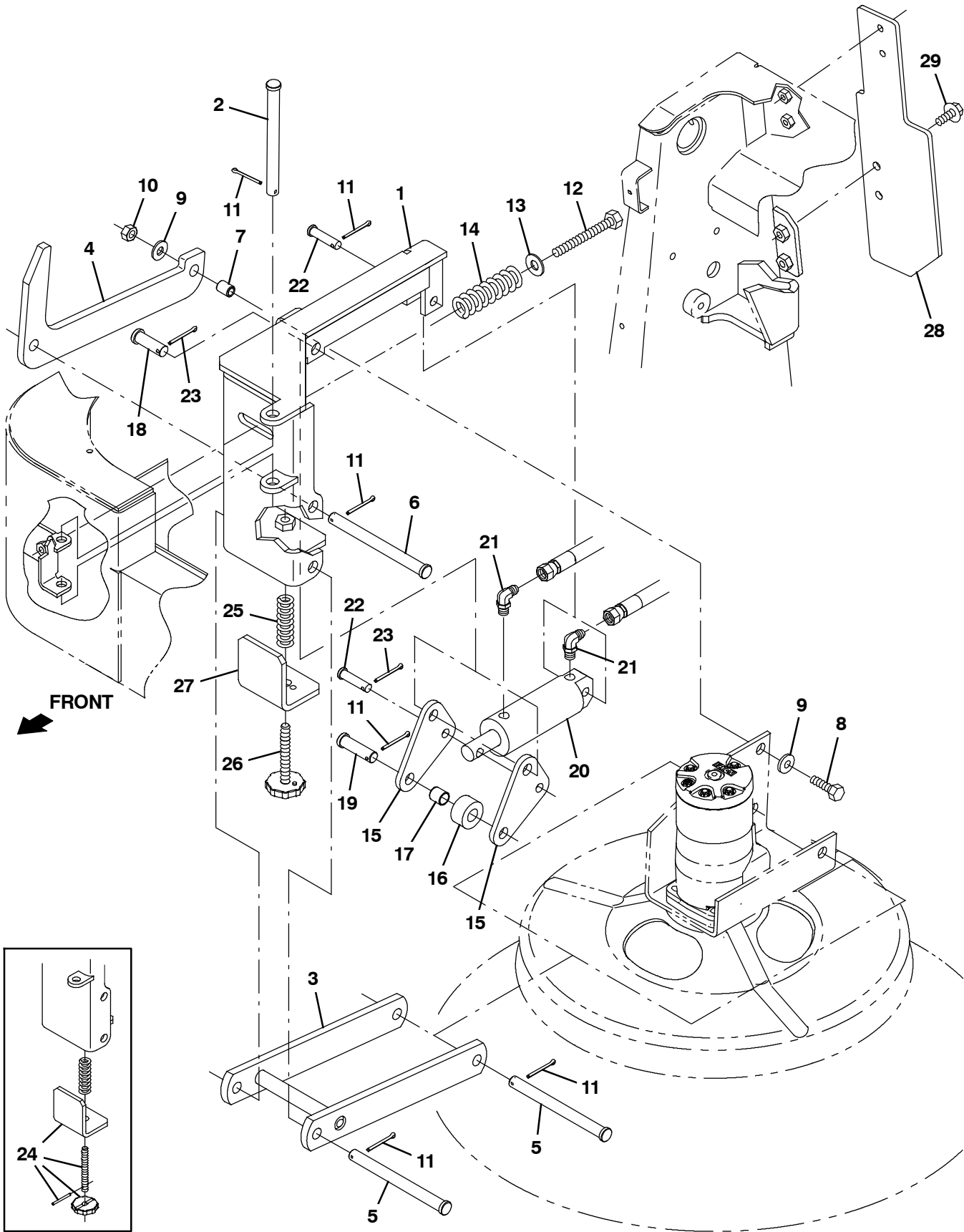


Fig. 46 - Side Brush Lift and Pivot Group, S30 XP and X4

Ref.	Part No.	Serial Number	Description	Qty.
1	1039628	(006501-) Pivot Wldt, Brush, Side	1
2	222196	(006501-) Pin, Clevis, 0.50d X 4.25l	1
3	1029682	(006501-) Arm Wldt, Brush, Side	1
4	1026459	(006501-) Arm, Linkage, Side Brush	1
5	51225	(006501-) Pin, Clevis, 0.50d X 5.50l	2
6	51538	(006501-) Pin, Clevis, 0.50d X 5.00l	1
7	80395	(006501-) Sleeve, P/M, 0.31b 0.50d 0.7l [430ss]	1
8	76570	(006501-) Screw, Hex, M8 X 1.25 X 30, 8.8	1
9	32491	(006501-) Washer, Flat, 0.31, Std	2
10	08709	(006501-) Nut, Hex, Lock, M8 X 1.25, NI	1
11	08182	(006501-) Pin, Cotter, .125 X 1.00	6
12	06963	(006501-) Screw, Hex, M10 X 1.5 X 60, 8.8	1
13	32492	(006501-) Washer, Flat, 0.38, Std	1
14	45261	(006501-) Spring, Cmpr, 0.97od .11wir 02.5l	1
15	1026462	(006501-) Lever, Lift, Brush	2
16	1026525	(006501-) Tube, 0.59id 1.25od 00.6l, Stl	1
17	59634	(006501-) Bushing, Sleeve, 0.50b 0.59d 0.62l, Fgl	1
18	51534	(006501-) Pin, Clevis, 0.50d X 2.00l	1
19	43290	(006501-) Pin, Clevis, 0.50d X 1.75l	1
20	1041034	(006501-) Cylinder, Hyd, 1.5b 06.3l 01.50strk 2500	1
21	762427	(006501-) Fitting, Hyd, E90, Fm04/Om04	2
22	29558	(006501-) Pin, Clevis, 0.37d X 1.50l	2
23	39005	(006501-) Pin, Cotter, .094 X 0.75	2
24	9015652	(006501-008330) Knob Kit, Repair Side Brush	1
25	22290	(006501-) Spring, Cmpr, 0.72od .06wir 02.3l	1
26	1075444	(008331-) Knob, Assy, Sb Xp	1
27	1075439	(008331-) Angle	1
28	1060764	(006501-) Plate,Lift,Premium	1
29	1037354	(006501-) Screw, Hex, M8 X 1.25 X 30, 9.8, Sems	4

Fig. 47 - Main Brush Lift Group, S30

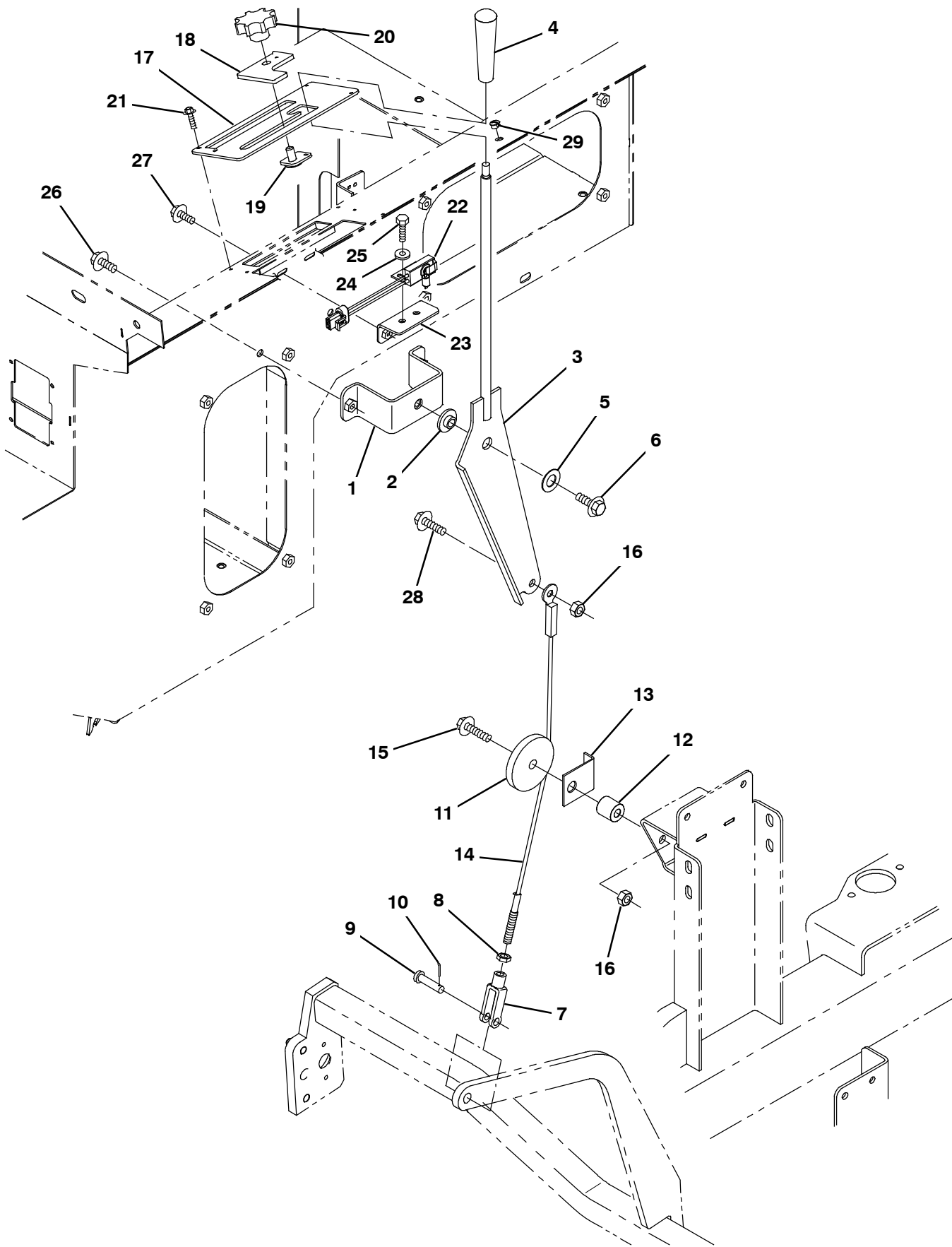


Fig. 47 - Main Brush Lift Group, S30

Ref.	Part No.	Serial Number	Description	Qty.
1	1042785	(006501-) Bracket, Lift	1
2	363087	(006501-) Bushing, Flng, 0.44b 1.25d 0.25l	1
3	1041539	(006501-) Lever Wldt, Lift, Brush, Main	1
4	54995	(006501-) Knob, 1.12d 3.86l M10 X 1.5, Plstc Tpr]	1
5	07450	(006501-) Bearing, Thrust, 0.66b 1.25d 0.06w	1
6	1037358	(006501-) Screw, Hex, M10 X 1.50 X 35, 9.8, Sems	1
7	12267	(006501-) Clevis, Adj, 0.38pin, M10x1.5	1
8	32716	(006501-) Nut, Hex, Jam, M10 X 1.5, Ss	1
9	86240	(006501-) Pin, Clevis, 0.38d X 1.13l	1
10	08179	(006501-) Pin, Cotter, .094 X 1.00	1
11	379684	(006501-) Pulley Assy, Cable, 2.8d 0.50b	1
12	222460	(006501-) Sleeve, P/M, 0.31b 0.50d 0.5l [430ss]	1
13	379686	(006501-) Angle, Keeper, Cable	1
14	1041123	(006501-) Cable, Glv .19 24.5l .3 Eye / M10	1
15	1037355	(006501-) Screw, Hex, M8 X 1.25 X 35, 9.8, Sems	1
16	08709	(006501-) Nut, Hex, Lock, M8 X 1.25, NI	1
17	1046048	(006501-) Panel Wldt, Handle, Lift	1
18	1042855	(006501-) Plate Wldt, Brush, Adj	1
19	1046052	(006501-) Plate Wldt, Stop [S30]	1
20	383205	(006501-) Knob, Star, 2.20d 8ear 1.1l M10x1.5, Nyl	1
21	1045964	(006501-) Screw, Hex, M4 X 0.70 X 10, Fmg, Blk	4
22	1040019	(006501-) Switch, Limit, 15a, Nc	1
23	1040753	(006501-) Bracket, Switch	1
24	19066	(006501-) Washer, Flat, 10	2
25	09244	(006501-) Screw, Hex, M5 X 0.80 X 16, 8.8	2
26	1037346	(006501-) Screw, Hex, M8 X 1.25 X 25, 9.8, Sems	2
27	1040467	(006501-) Screw, Hex, M6 X 1.0 X 20, 9.8, Sems	2
28	1037354	(006501-) Screw, Hex, M8 X 1.25 X 30, 9.8, Sems	1
29	33807	(006501-) Plug, Hole, Rnd, 0.44h .03- .12, Blk Nyl	1

Fig. 48 - Main Brush Lift Group, S30 XP and X4

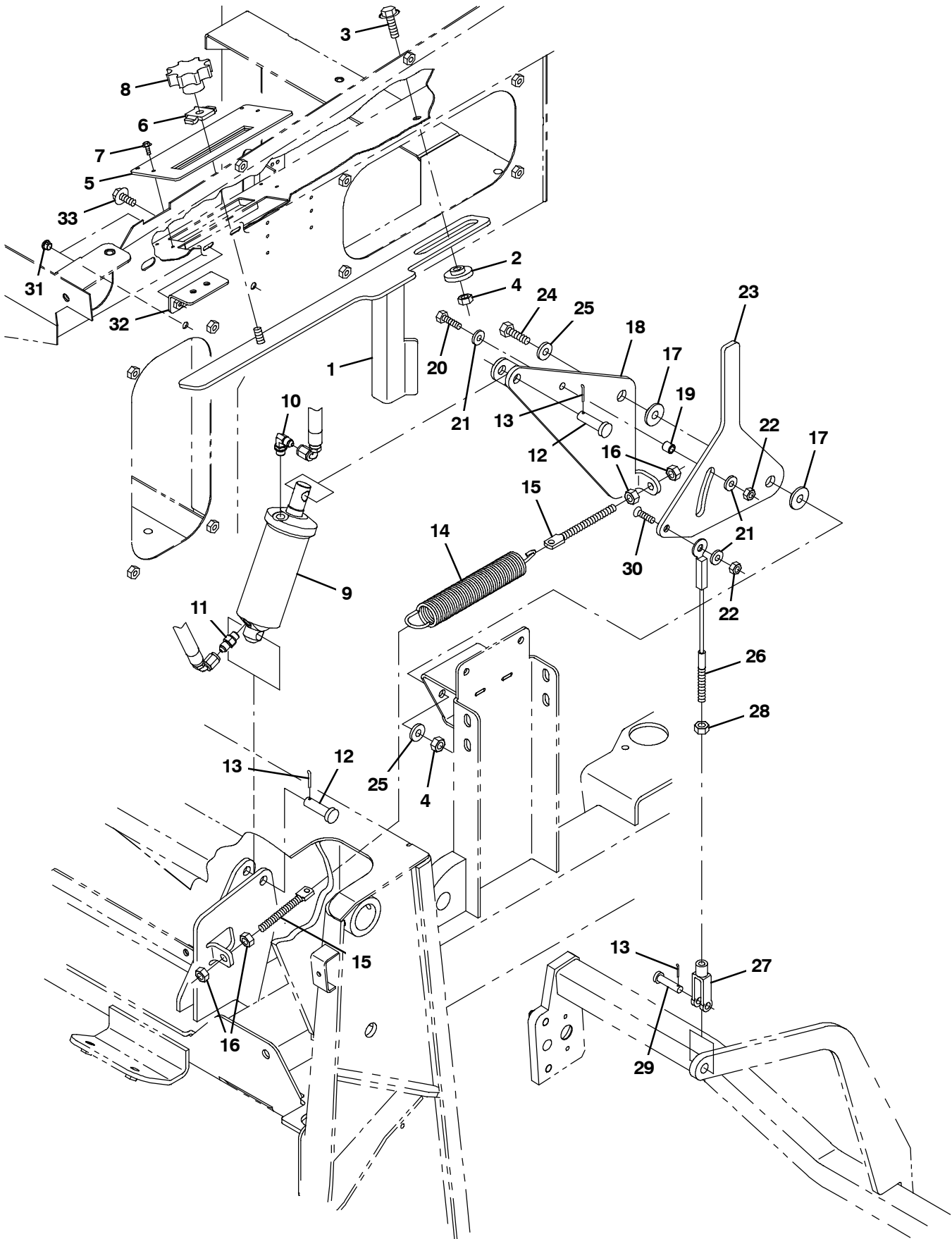


Fig. 48 - Main Brush Lift Group, S30 XP and X4

Ref.	Part No.	Serial Number	Description	Qty.
1	1032432	(006501-) Plate Wldt, Brush, Adj	1
2	1032429	(006501-) Retainer, Stop	1
3	1037358	(006501-) Screw, Hex, M10 X 1.50 X 35, 9.8, Sems	1
4	41430	(006501-) Nut, Hex, Lock, M10 X 1.5, NI	2
5	1032449	(006501-) Panel Wldt, Lift	1
6	1005740	(006501-) Plate, Brush, Adj	1
7	1045964	(006501-) Screw, Hex, M4 X 0.70 X 10, Fmg, Blk	4
8	383205	(006501-) Knob, Star, 2.20d 8ear 1.1l M10x1.5, Nyl	1
9	1038176	(006501-) Cylinder, Hyd, 2.0b 08.0l 04.00strk 2500	1
10	762427	(006501-) Fitting, Hyd, E90, Fm04/Om04	1
11	762428	(006501-) Fitting, Hyd, Str, Fm04/Om04	1
12	43290	(006501-) Pin, Clevis, 0.50d X 1.75l	2
13	08182	(006501-) Pin, Cotter, .125 X 1.00	3
14	368197	(006501-) Spring, Extn, 1.39od 0.15wir 09.0l	1
15	1007220	(006501-) Bolt, Eye, M10 X 1.50 X 117mm, 08.00 Eye	2
16	39312	(006501-) Nut, Hex, Std, M10 X 1.50	4
17	363087	(006501-) Bushing, Flng, 0.44b 1.25d 0.25l	2
18	1035400	(006501-) Bracket Wldt, Mtg, Cyl	1
19	222460	(006501-) Sleeve, P/M, 0.31b 0.50d 0.5l [430ss]	1
20	06955	(006501-) Screw, Hex, M8 X 1.25 X 35, 8.8	1
21	32491	(006501-) Washer, Flat, 0.31, Std	3
22	08709	(006501-) Nut, Hex, Lock, M8 X 1.25, NI	2
23	1041446	(006501-) Bracket, Brush, Stop Adj	1
24	06962	(006501-) Screw, Hex, M10 X 1.50 X 45, 8.8	1
25	32492	(006501-) Washer, Flat, 0.38, Std	2
26	383194	(006501-) Cable, Glv .19d 009.88l .38eye / M10	1
27	12267	(006501-) Clevis, Adj, 0.38pin, M10x1.5	1
28	32716	(006501-) Nut, Hex, Jam, M10 X 1.5, Ss	1
29	86240	(006501-) Pin, Clevis, 0.38d X 1.13l	1
30	07810	(006501-) Screw, Flt, Soc, M8 X 1.25 X 25, 10.9	1
31	01314	(006501-) Plug, Hole, Rnd, 0.38h .03- .12, Blk Nyl	2
32	1040753	(006501-) Bracket, Switch	1
33	1040467	(006501-) Screw, Hex, M6 X 1.00 X 20, 9.8, Sems	2

Fig. 49 - Main Brush Drive Group

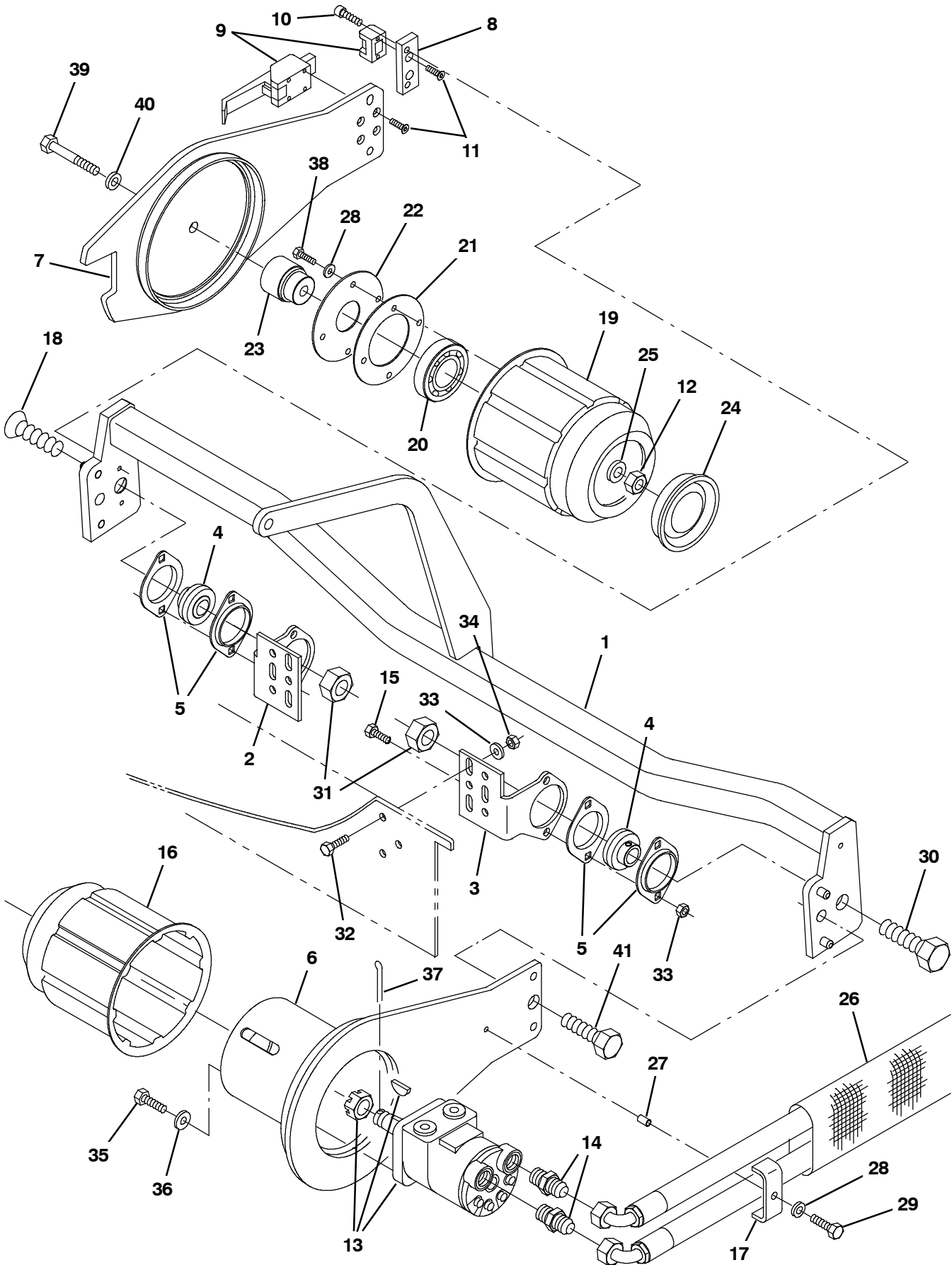
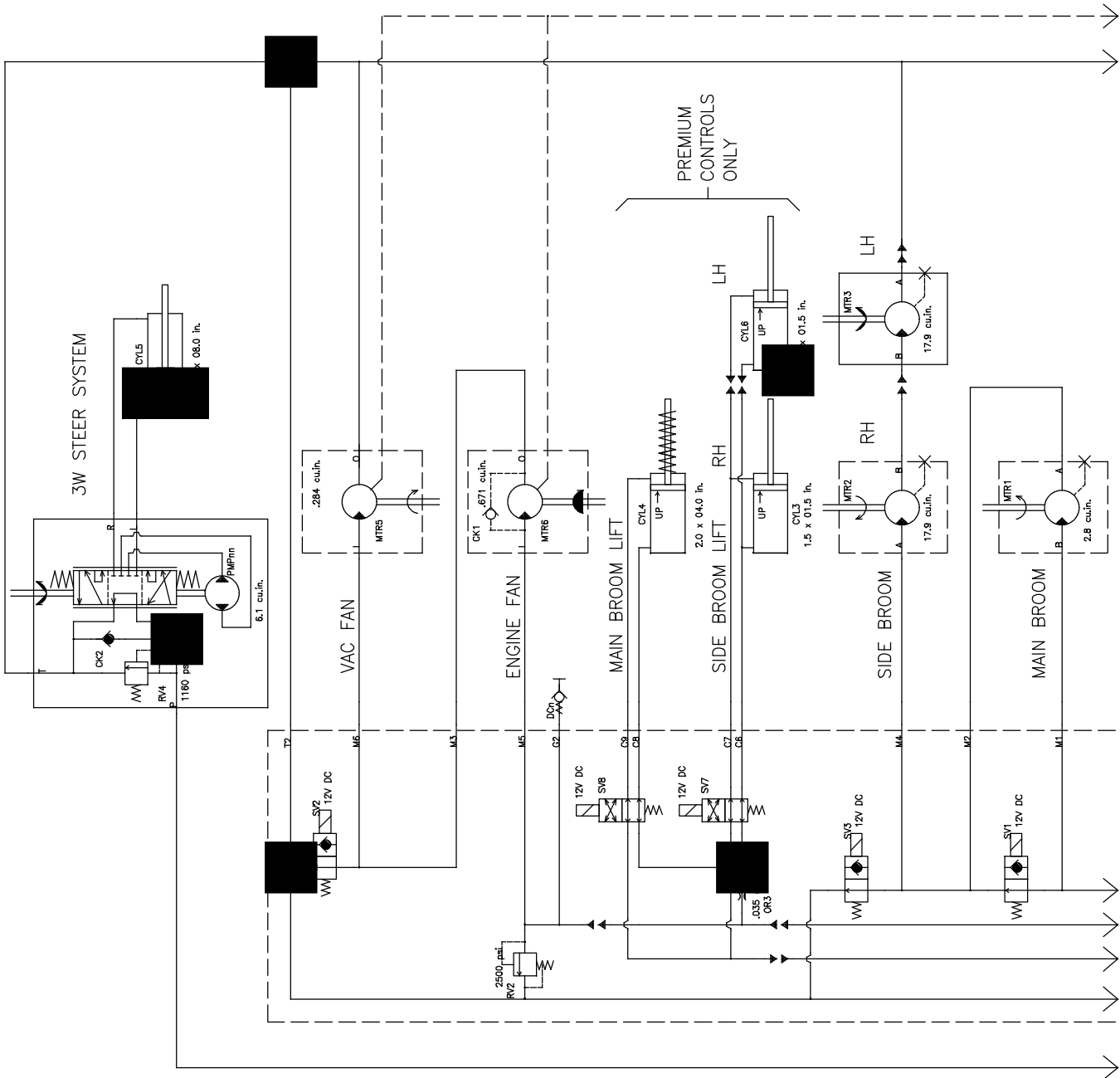


Fig. 49 - Main Brush Drive Group

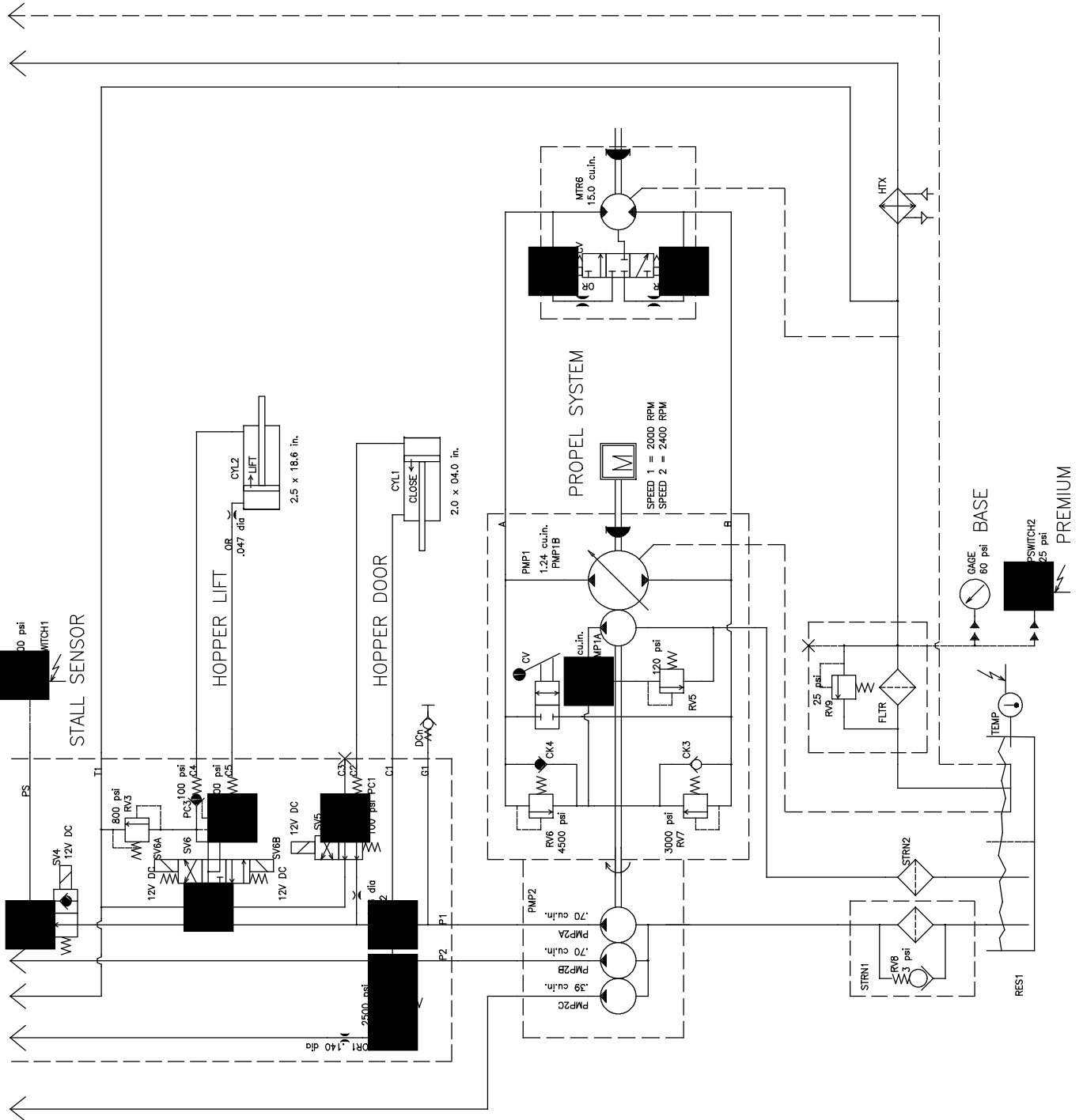
Ref.	Part No.	Serial Number	Description	Qty.	
1	1039501	(006501-) Tube Wldt	1	
2	383142	(006501-) Bracket, Mtg, Rh	1	
3	383143	(006501-) Bracket, Mtg, Lh	1	
4	25887	(006501-) Bearing, W/ Collar, 0.75b 1.85d 1.06w	2	
5	35973	(006501-) Flange, Brg, 1.9id 2h	4	
6	383139	(006501-) Arm Wldt, Brush, Main, Drive, Lh	1	
▽	7	377249	(006501-) Arm, Brush, Main, W/ Label	1
▲	383203	(006501-) Label, Info, Brush Arm	1	
8	54204	(006501-) Plate, Mtg	1	
9	54878	(006501-) Latch, Cmpr, M5 X 0.8 Blk	1	
10	57824	(006501-) Screw, Soc, M6 X 1.00 X 20, 12.9, NI	2	
11	09120	(006501-) Screw, Flt, Soc, M5 X 0.80 X 16, 10.9	6	
12	08711	(006501-) Nut, Hex, Lock, M12 X 1.75, NI	1	
13	1057337	(006501-) Motor, Hyd, Gear, Int 02.8 Bi- Dir 2500	1	
14	762445	(006501-) Fitting, Hyd, Str, Fm08/Om08	2	
15	16931	(006501-) Screw, Hex, M8 X 1.25 X 20, 8.8	4	
16	1057643	(006501-) Plug Wldt, Drive, Brush	1	
17	51715	(006501-) Bracket, U, .19, 2.8w 0.9 1.0l, 1/0.3h	1	
18	1007807	(006501-) Screw, Flt, Soc, .75- 10 X 2.50, Al	1	
19	55779	(006501-) Plug Wldt, Idler, Brush	1	
20	24899	(006501-) Bearing, Ball, 1.38b 2.83d 0.67w	1	
21	30252	(006501-) Disc, 0.08, 04.39d 02.56b, 4/.28h 3.8bc	1	
22	30253	(006501-) Disc, 0.06, 04.39d 01.67b, 4/.30h 3.8bc	1	
23	30251	(006501-) Shaft, Idler, Plug, Brush	1	
24	30255	(006501-) Cap, Vinyl, 3.28d 0.45l	1	
25	51564	(006501-) Washer, Flat, 0.53b 1.75d .12, Stl, Pl	1	
26	13773	(006501-) Sleeve, Nyl, #27 20.0l	1	
27	56228	(006501-) Tube, Plstc, 0.25id 0.31od 00.5l, Blk	1	
28	01684	(006501-) Washer, Flat, 0.27b 0.69d .05, Ss	1	
29	07805	(006501-) Screw, Hex, M6 X 1.00 X 35, Ss	1	
30	39395	(006501-) Screw, Hex, .75- 10 X 2.50, Fl	1	
31	32987	(006501-) Nut, Hex, Lock, .75- 10, NI	2	
32	09010	(006501-) Screw, Hex, M8 X 1.25 X 25, Ss	6	
33	08709	(006501-) Nut, Hex, Lock, M8 X 1.25, NI	10	
34	41186	(006501-) Washer, Flat, Belleville, .31	3	
35	01762	(006501-) Screw, Hex, .38- 16 X 0.75, NI	4	
36	32485	(006501-) Washer, Flat, 0.38, Sae	4	
37	08175	(006501-) Pin, Cotter, .125 X 1.25	1	
38	12277	(006501-) Screw, Hex, M6 X 1.00 X 20, NI, Ss	4	
39	06975	(006501-) Screw, Hex, M12 X 1.75 X 90, 8.8	1	
40	36328	(006501-) Washer, Flat, Belleville, .50	1	
41	06977	(006501-) Screw, Hex, M16 X 2.00 X 20, 8.8	1	

Fig. 50 - Hydraulic Schematic, S30 and XP



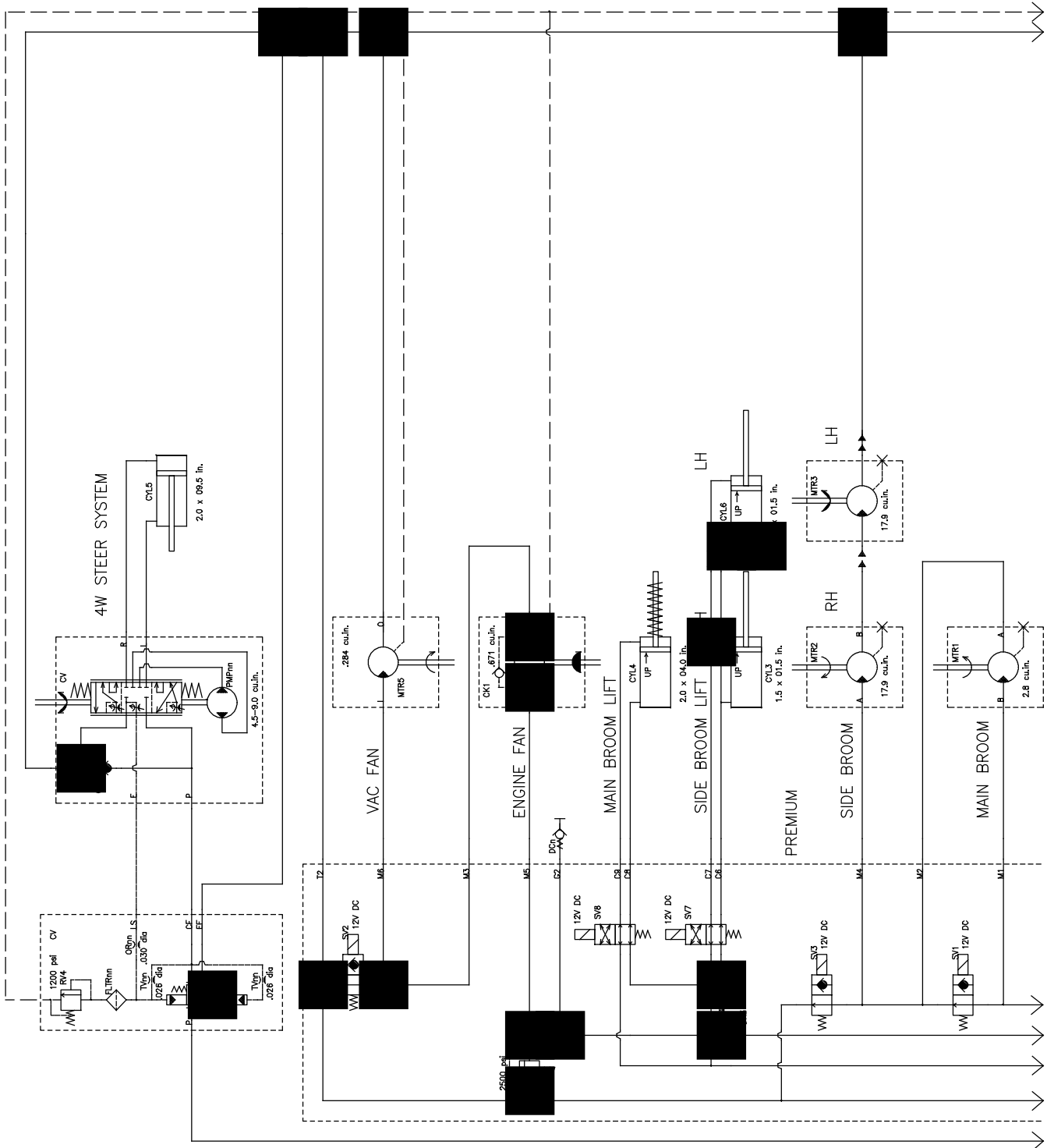
1027521- 354734

Fig. 50 - Hydraulic Schematic, S30 and XP



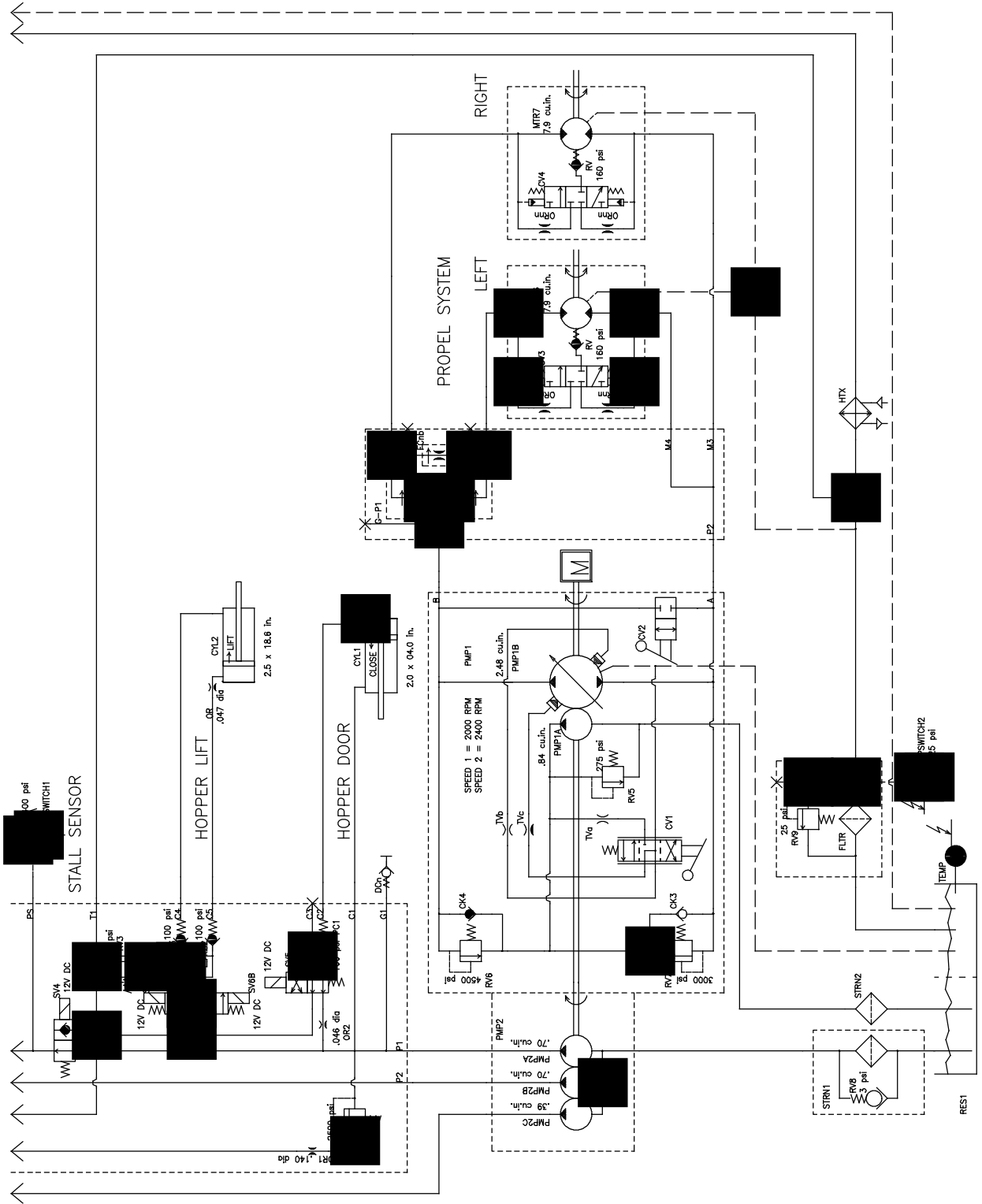
1027521- 354734

Fig. 51 - Hydraulic Schematic, S30 X4



1027521- 354735

Fig. 51 - Hydraulic Schematic, S30 X4



1027521- 354735

Fig. 52 - Hydraulic Hose Group, S30

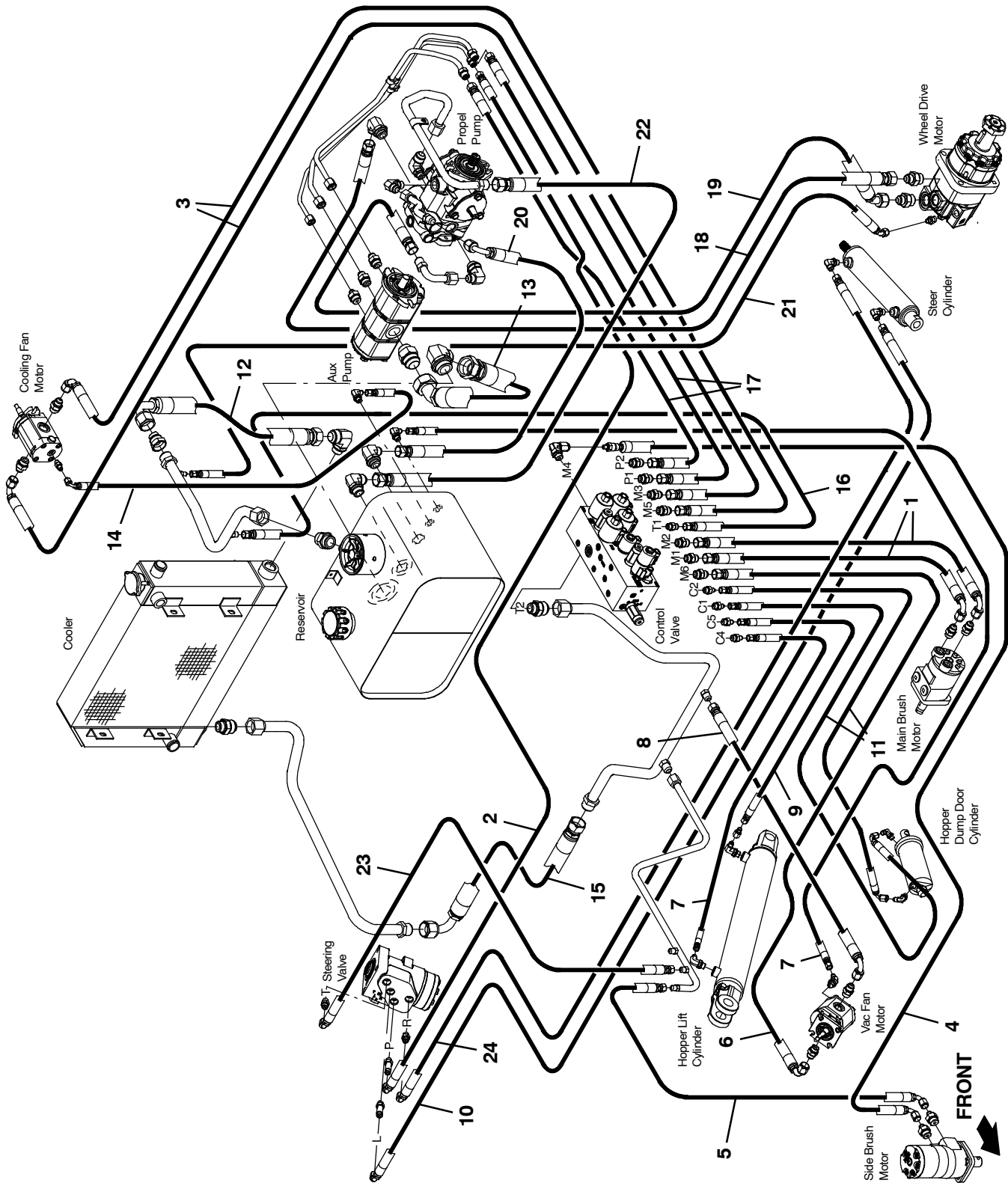


Fig. 52 - Hydraulic Hose Group, S30

Ref.	Part No.	Serial Number	Description	Qty.
1	1067109	(006501-) Hose, Hyd, Tc08, Ff08e90/Ff08str, 042.0	2
2	1067102	(006501-) Hose, Hyd, Tc06, Ff06e90/Ff06str, 080.0	1
3	1067110	(006501-) Hose, Hyd, Tc08, Ff08e90/Ff08str, 052.0	2
4	1072649	(006501-) Hose, Hyd, Tc06, Ff06e90/Qm06str, 134.0	1
5	1067661	(006501-) Hose, Hyd, Tc06, Ff06e90/Ff06str, 102.0	1
6	767441	(006501-) Hose, Hyd, Tc08, Ff08e90/Ff08str, 046.0	1
7	1067094	(006501-) Hose, Hyd, Tc04, Ff04str/Ff04str, 052.0	2
8	767315	(006501-) Hose, Hyd, Tc08, Ff08e90/Ff08str, 030.0	1
9	1067089	(006501-) Hose, Hyd, Tc04, Ff04str/Ff04str, 018.0	1
10	1067099	(006501-) Hose, Hyd, Tc06, Ff06e90/Ff06str, 054.0	1
11	1067087	(006501-) Hose, Hyd, Tc04, Ff04e90/Ff04str, 092.0	2
12	1072633	(006501-) Hose, Hyd, Tc12, Ff12e90/Ff12str, 014.0	1
13	1067300	(006501-) Hose, Hyd, Suc20, Ff20e45/Ff20str, 022.5	1
14	1067086	(006501-) Hose, Hyd, Tc04, Ff04e90/Ff04str, 042.0	1
15	1067115	(006501-) Hose, Hyd, Tc16, Ff16e90/Ff16str, 016.0	1
16	1067106	(006501-) Hose, Hyd, Tc06, Ff06str/Ff06str, 048.0	1
17	1072531	(006501-) Hose, Hyd, Tc08, Ff08str/Ff08str, 041.0	2
18	1065452	(006501-) Hose, Hyd, Spcl, Ff10str/Ff10str, 046.0	1
19	1065453	(006501-) Hose, Hyd, Spcl, Ff10e45/Ff10str, 056.0	1
20	1067113	(006501-) Hose, Hyd, Tc10, Ff10e90/Ff10str, 027.0	1
21	1067084	(006501-) Hose, Hyd, Tc04, Ff04e45/Ff04str, 078.0	1
22	1067299	(006501-) Hose, Hyd, Suc12, Ff12str/Ff12str, 025.0	1
23	1074041	(006501-) Hose, Hyd, Tc06, Ff06e90/Ff06str, 032.0	1
24	1067101	(006501-) Hose, Hyd, Tc06, Ff06e90/Ff06str, 062.0	1

Fig. 53 - Hydraulic Hose Group, S30 XP

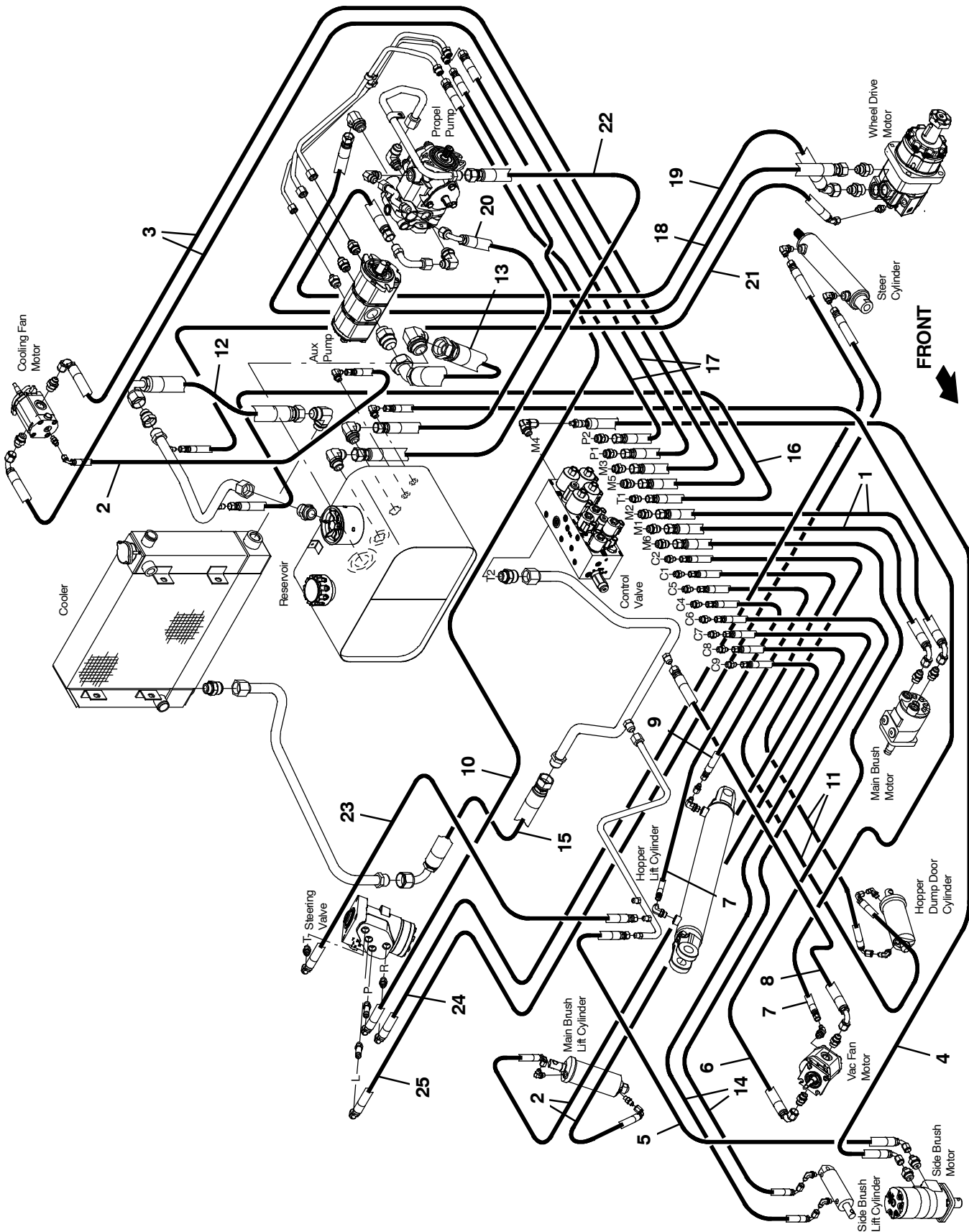


Fig. 53 - Hydraulic Hose Group, S30 XP

Ref.	Part No.	Serial Number	Description	Qty.
1	1067109	(006501-) Hose, Hyd, Tc08, Ff08e90/Ff08str, 042.0	2
2	1067086	(006501-) Hose, Hyd, Tc04, Ff04e90/Ff04str, 042.0	3
3	1067110	(006501-) Hose, Hyd, Tc08, Ff08e90/Ff08str, 052.0	2
4	1072649	(006501-) Hose, Hyd, Tc06, Ff06e90/Qm06str, 134.0	1
5	1067661	(006501-) Hose, Hyd, Tc06, Ff06e90/Ff06str, 102.0	1
6	767441	(006501-) Hose, Hyd, Tc08, Ff08e90/Ff08str, 046.0	1
7	1067094	(006501-) Hose, Hyd, Tc04, Ff04str/Ff04str, 052.0	2
8	767315	(006501-) Hose, Hyd, Tc08, Ff08e90/Ff08str, 030.0	1
9	1067089	(006501-) Hose, Hyd, Tc04, Ff04str/Ff04str, 018.0	1
10	1067102	(006501-) Hose, Hyd, Tc06, Ff06e90/Ff06str, 080.0	1
11	1067087	(006501-) Hose, Hyd, Tc04, Ff04e90/Ff04str, 092.0	2
12	1072633	(006501-) Hose, Hyd, Tc12, Ff12e90/Ff12str, 014.0	1
14	1067088	(006501-) Hose, Hyd, Tc04, Ff04e90/Ff04str, 126.0	2
13	1067300	(006501-) Hose, Hyd, Suc20, Ff20e45/Ff20str, 022.5	1
15	1067115	(006501-) Hose, Hyd, Tc16, Ff16e90/Ff16str, 016.0	1
16	1067106	(006501-) Hose, Hyd, Tc06, Ff06str/Ff06str, 048.0	1
17	1072531	(006501-) Hose, Hyd, Tc08, Ff08str/Ff08str, 041.0	2
18	1065452	(006501-) Hose, Hyd, Spcl, Ff10str/Ff10str, 046.0	1
19	1065453	(006501-) Hose, Hyd, Spcl, Ff10e45/Ff10str, 056.0	1
20	1067113	(006501-) Hose, Hyd, Tc10, Ff10e90/Ff10str, 027.0	1
21	1067084	(006501-) Hose, Hyd, Tc04, Ff04e45/Ff04str, 078.0	1
22	1067299	(006501-) Hose, Hyd, Suc12, Ff12str/Ff12str, 025.0	1
23	1074041	(006501-) Hose, Hyd, Tc06, Ff06e90/Ff06str, 032.0	1
24	1067101	(006501-) Hose, Hyd, Tc06, Ff06e90/Ff06str, 062.0	1
25	1067099	(006501-) Hose, Hyd, Tc06, Ff06e90/Ff06str, 054.0	1

Fig. 54 - Hydraulic Hose Group, S30 X4

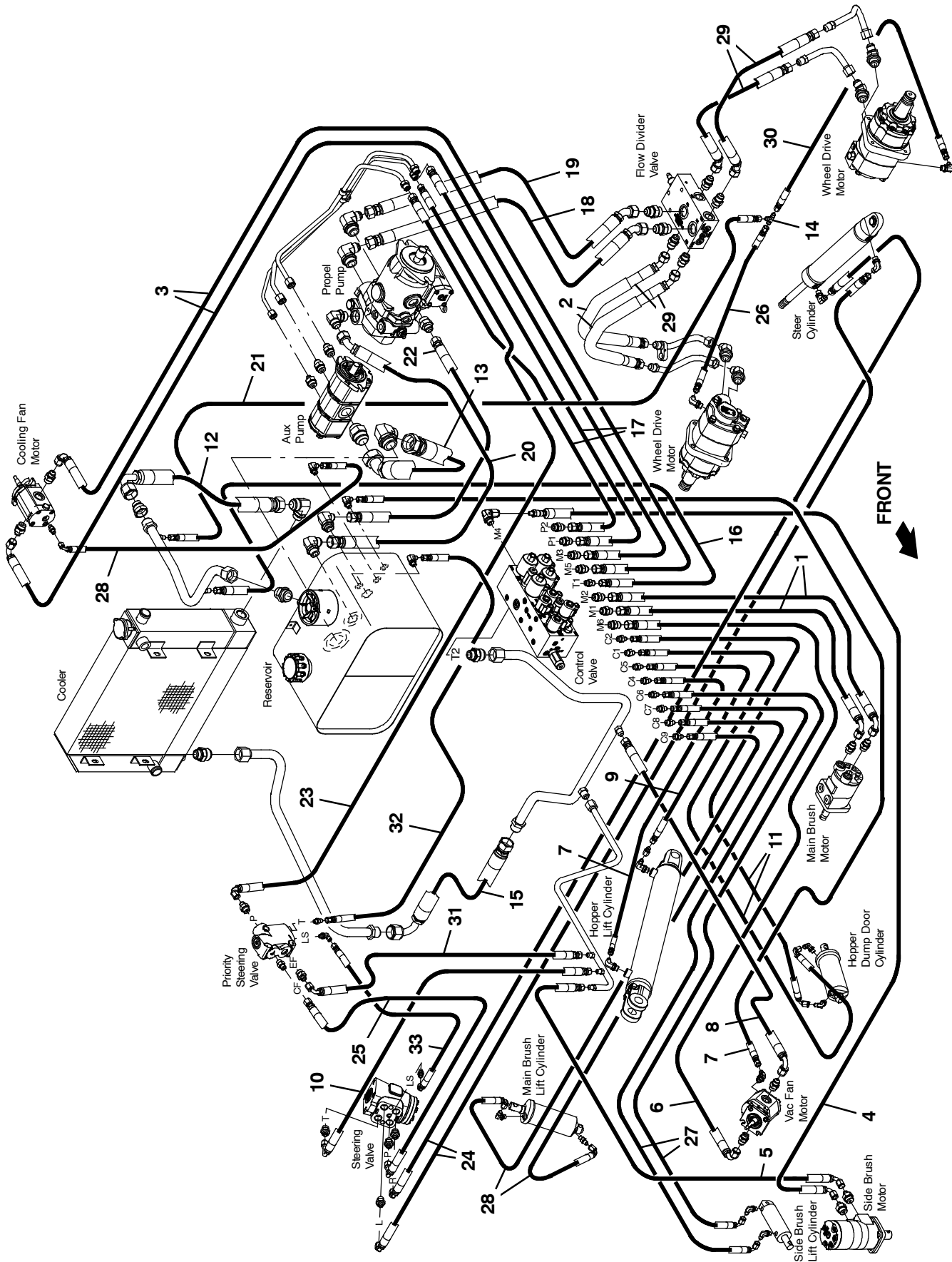


Fig. 54 - Hydraulic Hose Group, S30 X4

Ref.	Part No.	Serial Number	Description	Qty.
1	1067109	(006501-) Hose, Hyd, Tc08, Ff08e90/Ff08str, 042.0	2
2	1042004	(006501-) Sleeve, Hose, Hi- Temp, 1.12id, 25.0l	2
3	1067110	(006501-) Hose, Hyd, Tc08, Ff08e90/Ff08str, 052.0	2
4	1072649	(006501-) Hose, Hyd, Tc06, Ff06e90/Qm06str, 134.0	1
5	1067661	(006501-) Hose, Hyd, Tc06, Ff06e90/Ff06str, 102.0	1
6	767441	(006501-) Hose, Hyd, Tc08, Ff08e90/Ff08str, 046.0	1
7	1067094	(006501-) Hose, Hyd, Tc04, Ff04str/Ff04str, 052.0	2
8	767315	(006501-) Hose, Hyd, Tc08, Ff08e90/Ff08str, 030.0	1
9	1067089	(006501-) Hose, Hyd, Tc04, Ff04str/Ff04str, 018.0	1
10	1074072	(006501-) Hose, Hyd, Tc06, Ff06e90/Ff06str, 035.0	1
11	1067087	(006501-) Hose, Hyd, Tc04, Ff04e90/Ff04str, 092.0	2
12	1072633	(006501-) Hose, Hyd, Tc12, Ff12e90/Ff12str, 014.0	1
13	1067301	(006501-) Hose, Hyd, Suc20, Ff20e45/Ff20str, 025.0	1
14	1067058	(006501-) Fitting, Hyd, Tee, Fm04/Fm04/Fm04,Bh Br	1
15	1067115	(006501-) Hose, Hyd, Tc16, Ff16e90/Ff16str, 016.0	1
16	1067106	(006501-) Hose, Hyd, Tc06, Ff06str/Ff06str, 048.0	1
17	1072531	(006501-) Hose, Hyd, Tc08, Ff08str/Ff08str, 041.0	2
18	1067154	(006501-) Hose, Hyd, Spcl, Ff12e45/Ff12str, 028.0	1
19	1067153	(006501-) Hose, Hyd, Spcl, Ff12e45/Ff12str, 025.0	1
20	1067298	(006501-) Hose, Hyd, Suc12, Ff12e45/Ff12str, 32.0	1
21	1067092	(006501-) Hose, Hyd, Med04, Ff04str/Ff04str, 042.0	1
22	1067114	(006501-) Hose, Hyd, Med10, Ff10str/Ff10str, 024.0	1
23	1067100	(006501-) Hose, Hyd, Tc06, Ff06e90/Ff06str, 58.0	1
24	1067103	(006501-) Hose, Hyd, Tc06, Ff06e90/Ff06str, 84.0	2
25	1067096	(006501-) Hose, Hyd, Tc06, Ff06e90/Ff06str, 026.0	1
26	1067093	(006501-) Hose, Hyd, Med04, Ff04str/Ff04str, 051.0	1
27	1067088	(006501-) Hose, Hyd, Tc04, Ff04e90/Ff04str, 126.0	2
28	1067086	(006501-) Hose, Hyd, Tc04, Ff04e90/Ff04str, 042.0	3
29	1032950	(006501-) Hose, Hyd, Spcl, Jf10e45/Jf10str, 029.0	4
30	1067092	(006501-) Hose, Hyd, Med04, Ff04str/Ff04str, 42.0	1
31	1067095	(006501-) Hose, Hyd, Tc06, Ff06e90/Ff06str, 20.0	1
32	1067094	(006501-) Hose, Hyd, Med04, Ff04str/Ff04str, 052.0	1
33	1067085	(006501-) Hose, Hyd, Tc04, Ff04e90/Ff04str, 21.0	1

Fig. 55 - Hydraulic Reservoir Group

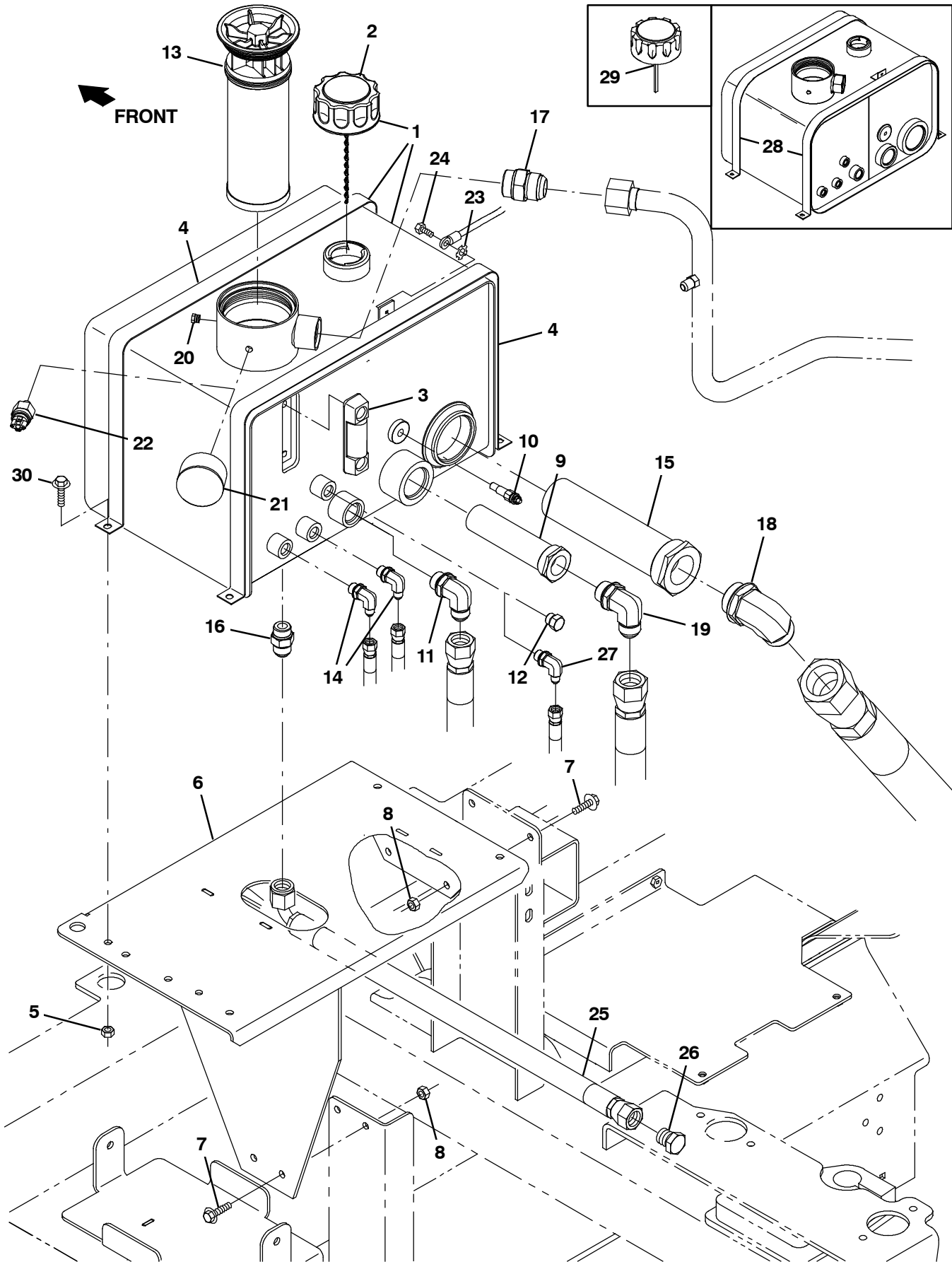


Fig. 55 - Hydraulic Reservoir Group

Ref.	Part No.	Serial Number	Description	Qty.
▽	1	9004518	(006501-) Reservoir, Hyd, W/ Label, Replmt	1
▲	2	1018289	(006501-) Cap, Breather, Hyd, W Chain	1
▲	3	65215	(007685-) Gauge, Sensing, Level	1
▲	4	1074668	(007685-) Strap, Tank, Hyd	2
	5	08709	(006501-) Nut, Hex, Lock, M8 X 1.25, NI	4
	6	1045125	(006501-) Bracket Wldt, Reservoir, Hyd	1
	7	1037346	(006501-) Screw, Hex, M8 X 1.25 X 25, 9.8, Sems	4
	8	07791	(006501-) Nut, Hex, Flng, M8 X 1.25	4
	9	361023	(006501-) Strainer, Hyd, 010gpm 100mesh	1
	10	58592	(006501-) Send- Unit, Water, Temp,04npt[113oh/195d]	1
	11	762469	(006501-) Fitting, Hyd, E90, Fm10/Om12	1
	12	46482	(006501-) Fitting, Hyd, Plug, Om06 (S30 and XP Only)	1
	13	1021579	(006501-) Filter Assy, Hyd, 10mic	1
	14	762425	(006501-) Fitting, Hyd, E90, Fm04/Om06	2
	15	31613	(006501-) Strainer, Hyd, 025gpm 100mesh 03psi	1
	16	762463	(006501-) Fitting, Hyd, Str, Fm10/Om10	1
	17	762481	(006501-) Fitting, Hyd, Str, Fm16/Om16	1
	18	762484	(006501-) Fitting, Hyd, E90, Fm20/Om20	1
	19	762492	(006501-) Fitting, Hyd, E90, Fm12/Om12	1
	20	63511	(006501-) Fitting, Hyd, Plug, Pm02	1
	21	1025132	(006501-) Indicator, Press, 60psi (S30 Only)	1
	22	1025133	(006501-) Switch, Press, Hyd, 18- 24psi, Spst, No (S30 XP and X4 Only)	1
	23	32982	(006501-) Washer, Lock, Int, 0.25	1
	24	222158	(006501-) Screw, Hex, M6 X 1.00 X 10, Fmg	1
	25	1067773	(006501-) Hose, Hyd, Tc10, Ff10e90/Ff10str, 42.0	1
	26	762156	(006501-) Fitting, Hyd, Plug, Fm10	1
	27	762425	(006501-) Fitting, Hyd, E90, Fm04/Om06 (S30 X4 Only)	1
	28	1032915	(006501-007684) Strap, Tank, Hyd	2
	29	25122	(006501-007684) Cap, Breather, Hyd, 2.4 Ds Dipstick	1
	30	1037354	(006501-) Screw, Hex, M8 X 1.25 X 30, 9.8, Sems	2

Fig. 56 - Hydraulic Cooler and Tubes Group

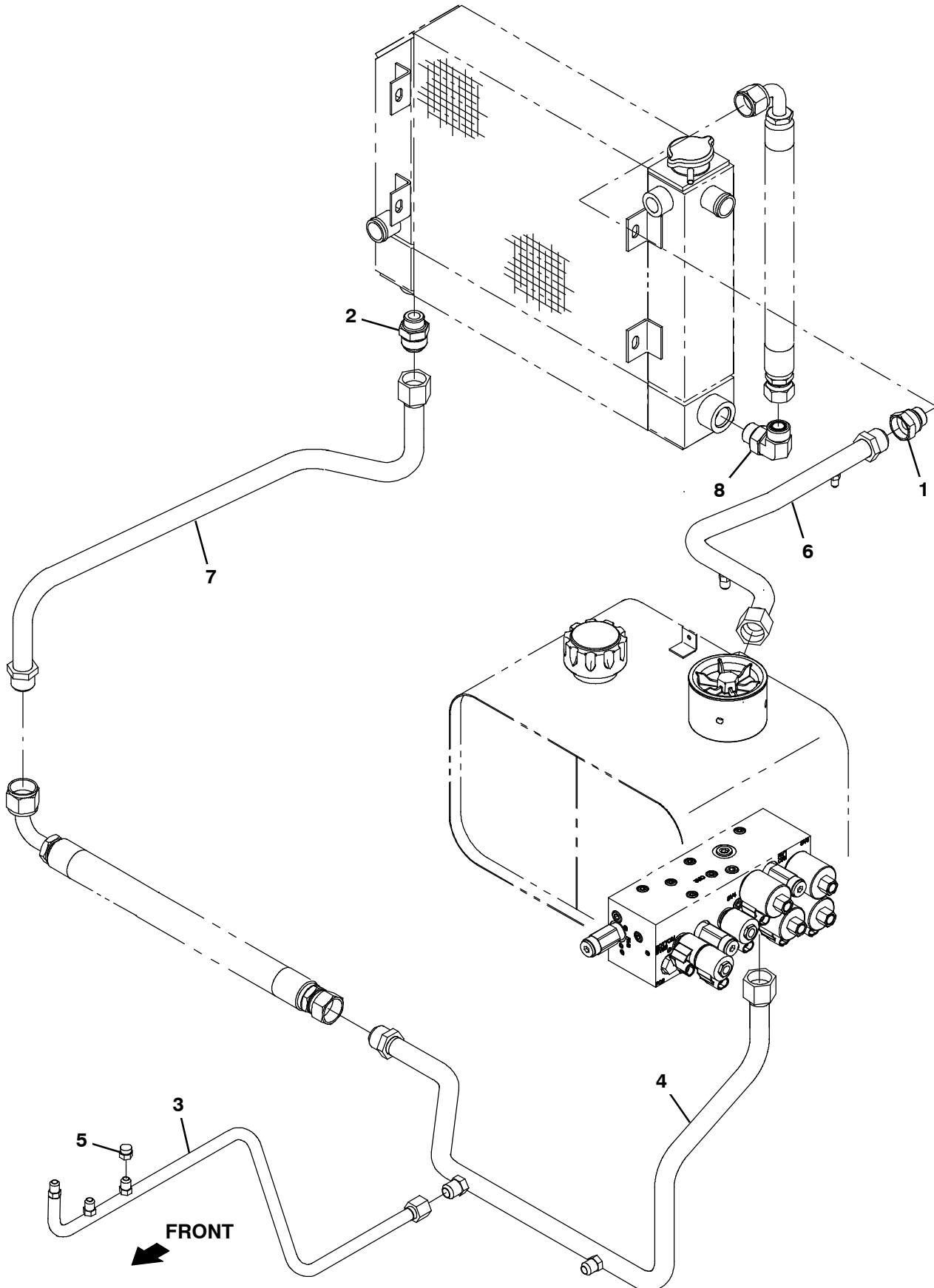


Fig. 56 - Hydraulic Cooler and Tubes Group

Ref.	Part No.	Serial Number	Description	Qty.
1	1072632	(006501-) Fitting, Hyd, Str, Ff16/Fm12	1
2	1068299	(006501-) Fitting, Hyd, Str, Fm16/Om12	1
3	1067177	(006501-) Tube, Hyd, Steering Drain	1
4	1067187	(006501-) Tube Assy, Hyd, Valve Tank [Coyote]	1
5	40625	(006501-) Fitting, Hyd, Cap, Jf06	1
6	1067185	(006501-) Tube Assy, Hyd, Fltr	1
7	1067186	(006501-) Tube Assy, Hyd, Cooler [Coyote]	1
8	762492	(006501-) Fitting, Hyd, E90, Fm12/Om12	1

Fig. 57 - Hydraulic Pumps Group, S30 and XP

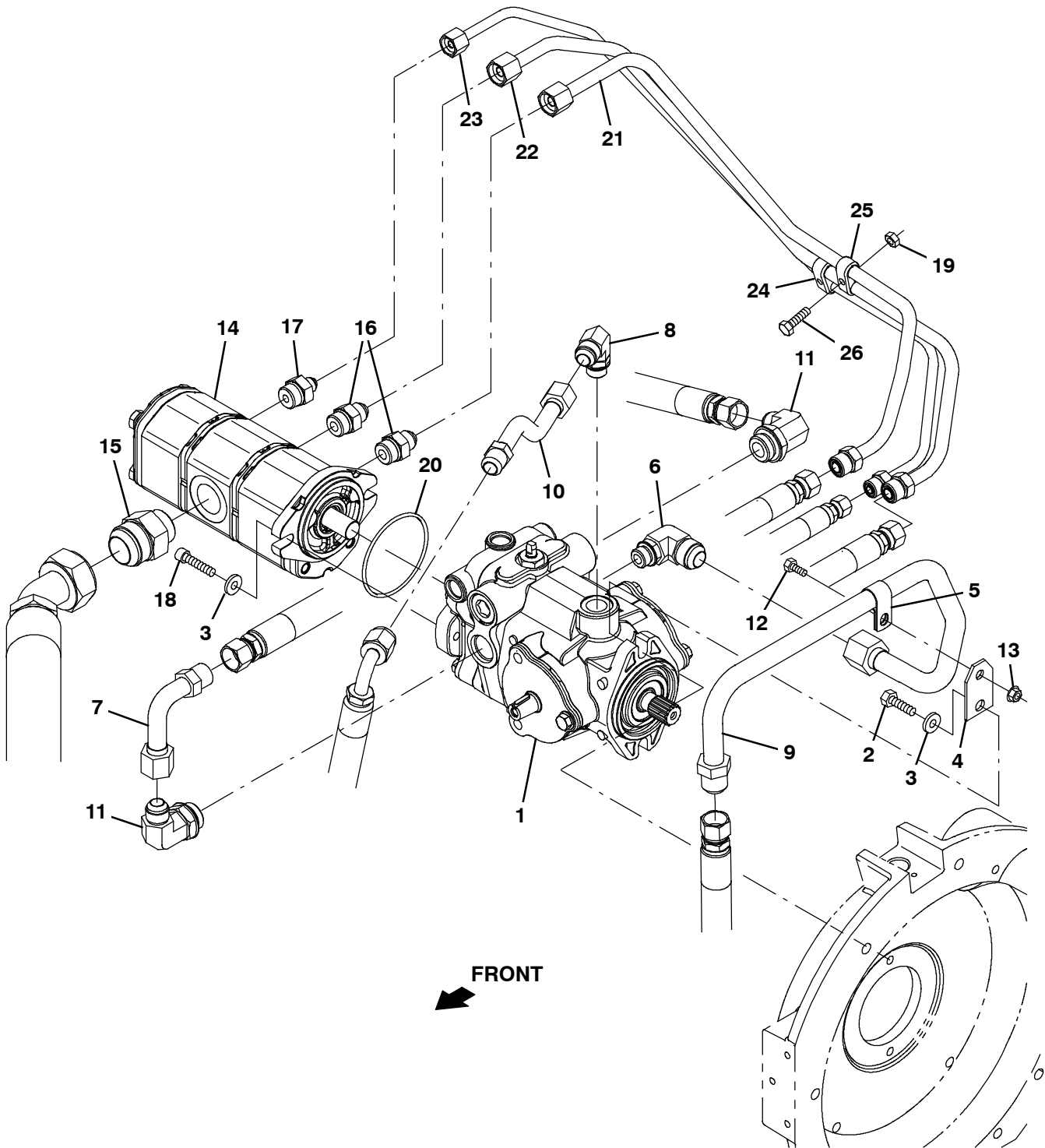


Fig. 57 - Hydraulic Pumps Group, S30 and XP

Ref.	Part No.	Serial Number	Description	Qty.	
1	1054905	(006501-) Pump, Hyd, Piston, Var, 1.24 4500, Cw (See Breakdowns)	1	
2	21198	(006501-) Screw, Hex, .38- 16 X 1.25, G5	2	
3	32485	(006501-) Washer, Flat, 0.38, Sae	4	
4	1039309	(006501-) Bracket, Sppt, Hyd Tube	1	
5	07471	(006501-) Clamp, Cable, Stl, 0.75d X 0.75w, 1hole	1	
6	1067053	(006501-) Fitting, Hyd, E90, Fm12/Om08	1	
7	1065781	(006501-) Tube, Hyd, Pump, Rear Drive, Ff10/Fm10	1	
8	762466	(006501-) Fitting, Hyd, E90, Fm10/Om08	1	
9	1067181	(006501-) Tube, Hyd [Pump Charge]	1	
10	1067182	(006501-) Tube, Hyd, Pump, Drain	1	
11	762469	(006501-) Fitting, Hyd, E90, Fm10/Om12	2	
12	16735	(006501-) Screw, Hex, M8 X 1.25 X 16, 8.8	1	
13	07791	(006501-) Nut, Hex, Flng, M8 X 1.25	1	
▽	14	1030374	(006501-) Pump, Hyd, Gear, Ext, 3, 00.70 2500, Cw	1
▲		373708	(006501-) Pump, Info, Repair	1
▲		373707	(006501-) Seal Kit	1
15	1007953	(006501-) Fitting, Hyd, Str, Fm20/Om16	1	
16	762456	(006501-) Fitting, Hyd, Str, Fm08/Om10	2	
17	762439	(006501-) Fitting, Hyd, Str, Fm06/Om10	1	
18	10832	(006501-) Screw, Soc, .38- 16 X 1.50, Al	2	
19	08708	(006501-) Nut, Hex, Lock, M6 X 1.00, NI	2	
20	65145- 1	(006501-) Seal, Org, .069 X 03.06id	1	
21	1067180	(006501-) Tube, Hyd, Gear Pump Rear [Coyote]	1	
22	1071716	(006501-) Tube, Hyd, Gear Pump Middle[S30 Mit2013]	1	
23	1071717	(006501-) Tube, Hyd, Gear Pump Front[S30 Mit2013]	1	
24	1043755	(006501-) Clamp, Tube, 0.37d 0.50d, 2 Hole	1	
25	1043754	(006501-) Clamp, Tube, 0.50d 0.50d, 2 Hole	1	
26	06944	(006501-) Screw, Hex, M6 X 1.00 X 25, 8.8	2	

Fig. 58 - Hydraulic Pumps Group, S30 X4

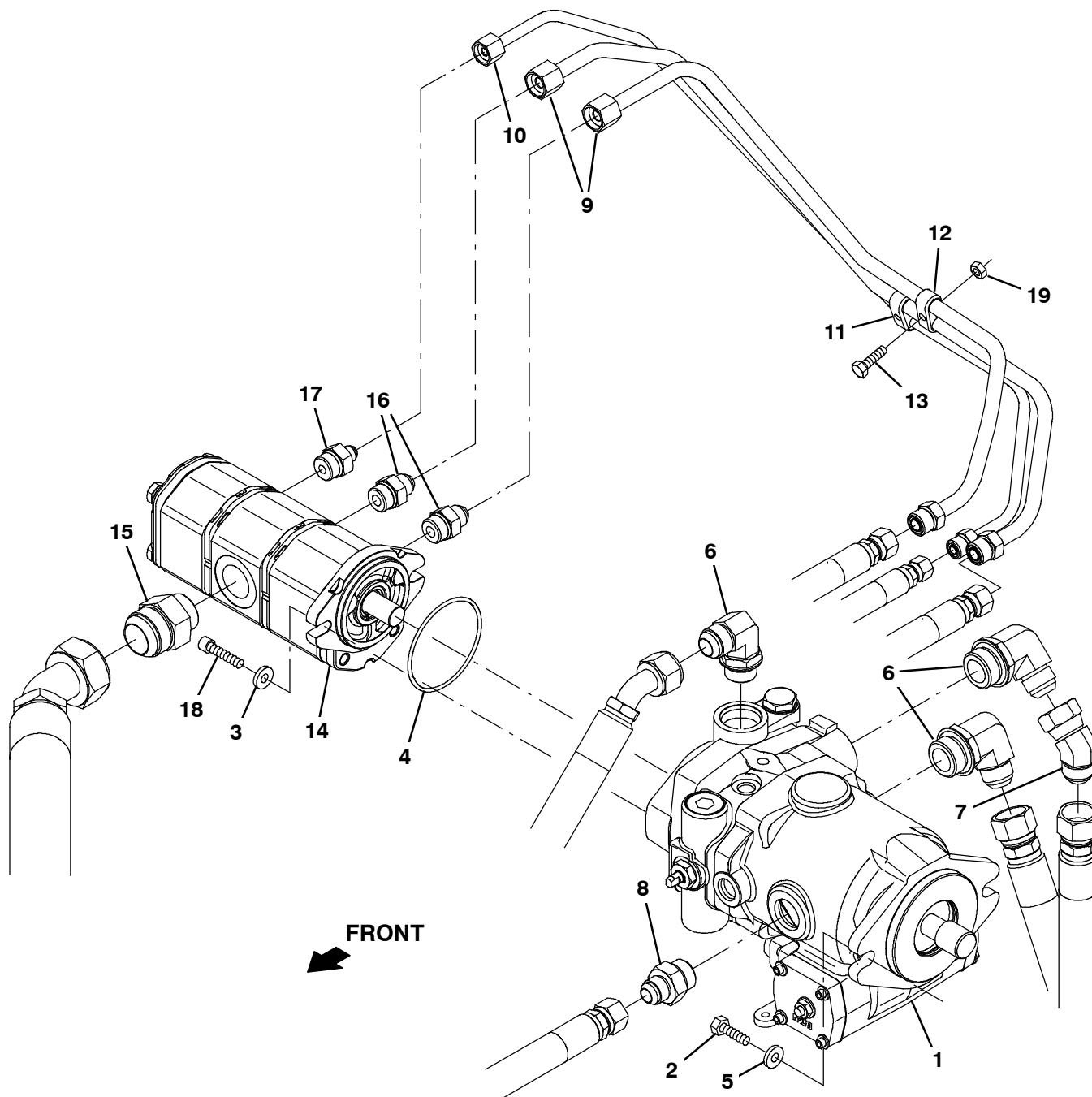


Fig. 57 - Hydraulic Pumps Group, S30 X4

Ref.	Part No.	Serial Number	Description	Qty.	
1	1029255	(006501-) Pump, Hyd, Piston, Var, 2.48 4500, Cw (See Breakdowns)	1	
2	06969	(006501-) Screw, Hex, M12 X 1.75 X 40, 8.8	2	
3	32485	(006501-) Washer, Flat, 0.38, Sae	2	
4	65145- 1	(006501-) Seal, Org, .069 X 03.06id	1	
5	36328	(006501-) Washer, Flat, Belleville, .50	2	
6	767407	(006501-) Fitting, Hyd, E90, Fm12/Om16	3	
7	1067057	(006501-) Fitting, Hyd, E45, Ff12/Jm12	1	
8	762468	(006501-) Fitting, Hyd, Str, Fm10/Om12	1	
9	1071716	(006501-) Tube, Hyd, Gear Pump Middle[S30 Mit2013]	2	
10	1071717	(006501-) Tube, Hyd, Gear Pump Front[S30 Mit2013]	1	
11	1043755	(006501-) Clamp, Tube, 0.37d 0.50d, 2 Hole	1	
12	1043754	(006501-) Clamp, Tube, 0.50d 0.50d, 2 Hole	1	
13	06944	(006501-) Screw, Hex, M6 X 1.00 X 25, 8.8	2	
▽	14	1030374	(006501-) Pump, Hyd, Gear, Ext, 3, 00.70 2500, Cw	1
▲		373708	(006501-) Pump, Info, Repair	1
▲		373707	(006501-) Seal Kit	1
15	1007953	(006501-) Fitting, Hyd, Str, Fm20/Om16	1	
16	762456	(006501-) Fitting, Hyd, Str, Fm08/Om10	2	
17	762439	(006501-) Fitting, Hyd, Str, Fm06/Om10	1	
18	10832	(006501-) Screw, Soc, .38- 16 X 1.50, Al	2	
19	08708	(006501-) Nut, Hex, Lock, M6 X 1.00, NI	2	

Fig. 59 - Hydraulic Valve Group, S30

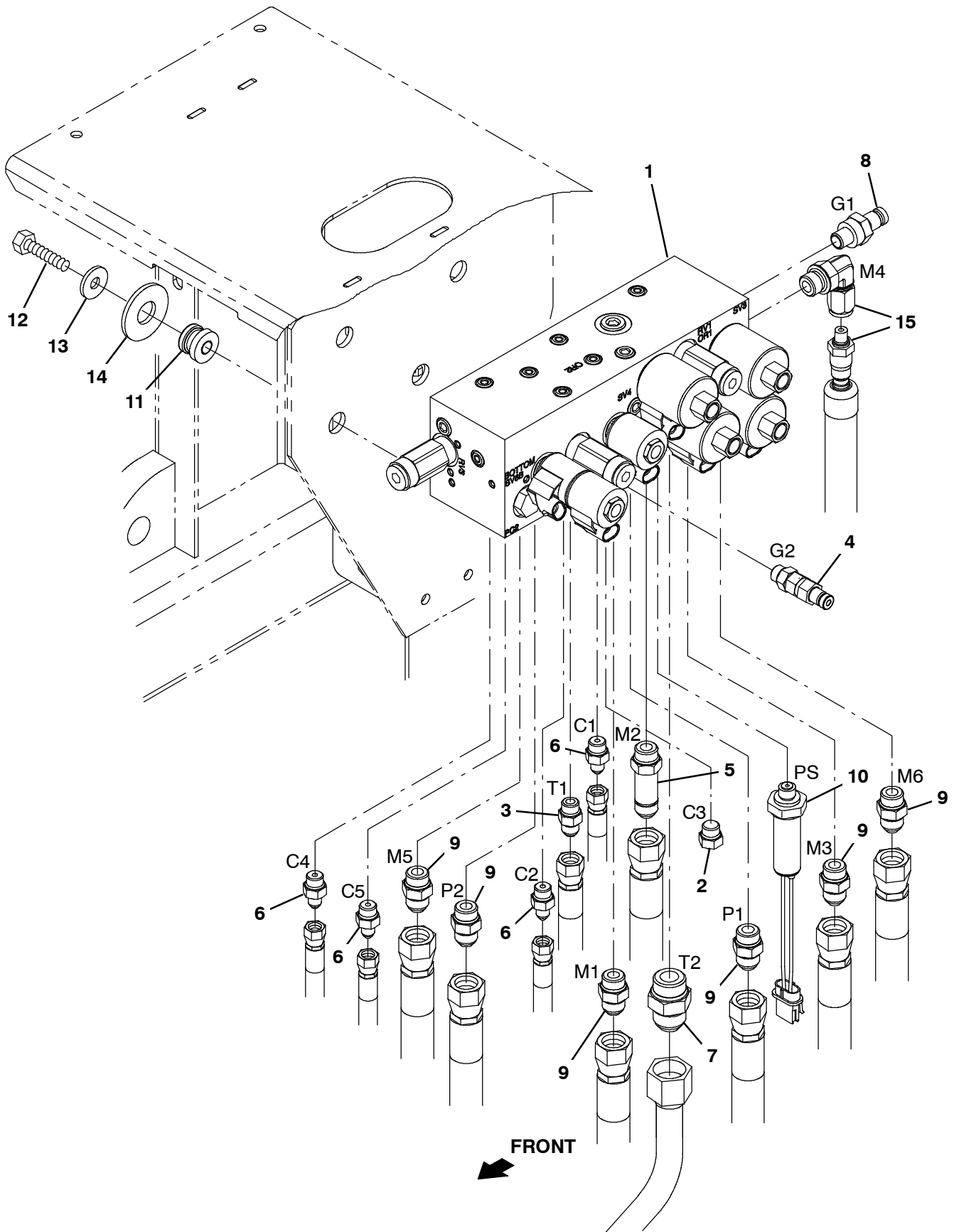


Fig. 59 - Hydraulic Valve Group, S30

Ref.	Part No.	Serial Number	Description	Qty.
1	1040091	(006501-) Valve, Hyd, Solenoid, 12vdc [06s] (See Breakdowns)	1
2	46482	(006501-) Fitting, Hyd, Plug, Om06	1
3	762433	(006501-) Fitting, Hyd, Str, Fm06/Om06	1
4	1043652	(006501-) Fitting, Hyd, Str, Om06/Qm04	1
5	767430	(006501-) Fitting, Hyd, Str, Fm08/Om08, Long	1
6	762426	(006501-) Fitting, Hyd, Str, Fm04/Om06	4
7	1068299	(006501-) Fitting, Hyd, Str, Fm16/Om12	1
8	395973	(006501-) Fitting, Hyd, Str, Om04/Qm04	1
9	762445	(006501-) Fitting, Hyd, Str, Fm08/Om08	6
10	769077	(006501-) Switch Assy, Press, No 02400psi	1
11	54274	(006501-) Isolator, Vib, Bshg, 1.1d 0.6l .4b 0.78h	4
12	39285	(006501-) Screw, Hex, M10 X 1.50 X 40, 8.8	4
13	39350	(006501-) Washer, Flat, 0.75, Sae	4
14	13248	(006501-) Washer, Flat, 0.40b 1.12d .12, Stl, Pl	4
15	9011154	(006501-) Hose Kit, Hyd, Replmt [S30]	1

Fig. 60 - Hydraulic Valve Group, S30 XP and X4

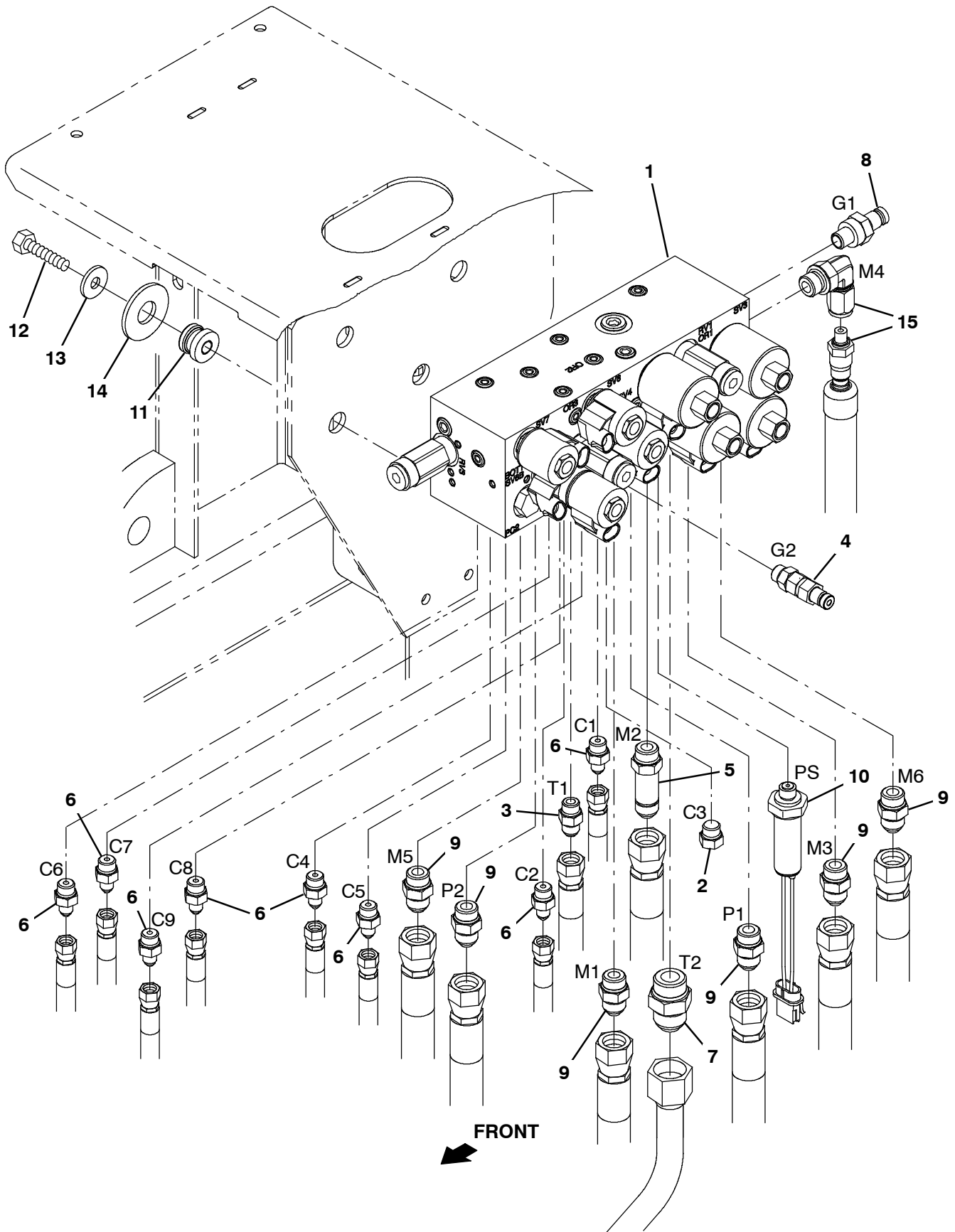


Fig. 60 - Hydraulic Valve Group, S30 XP and X4

Ref.	Part No.	Serial Number	Description	Qty.
1	1034671	(006501-) Valve, Hyd, Solenoid, 12vdc [08s] (See Breakdowns)	1
2	46482	(006501-) Fitting, Hyd, Plug, Om06	1
3	762433	(006501-) Fitting, Hyd, Str, Fm06/Om06	1
4	1043652	(006501-) Fitting, Hyd, Str, Om06/Qm04	1
5	767430	(006501-) Fitting, Hyd, Str, Fm08/Om08, Long	1
6	762426	(006501-) Fitting, Hyd, Str, Fm04/Om06	8
7	1068299	(006501-) Fitting, Hyd, Str, Fm16/Om12	1
8	395973	(006501-) Fitting, Hyd, Str, Om04/Qm04	1
9	762445	(006501-) Fitting, Hyd, Str, Fm08/Om08	6
10	769077	(006501-) Switch Assy, Press, No 02400psi	1
11	54274	(006501-) Isolator, Vib, Bshg, 1.1d 0.6l .4b 0.78h	4
12	39285	(006501-) Screw, Hex, M10 X 1.50 X 40, 8.8	4
13	39350	(006501-) Washer, Flat, 0.75, Sae	4
14	13248	(006501-) Washer, Flat, 0.40b 1.12d .12, Stl, Pl	4
15	9011154	(006501-) Hose Kit, Hyd, Replmt [S30]	1

Fig. 61 - Hydraulic Priority and Flow Divider Valve Group, S30 X4

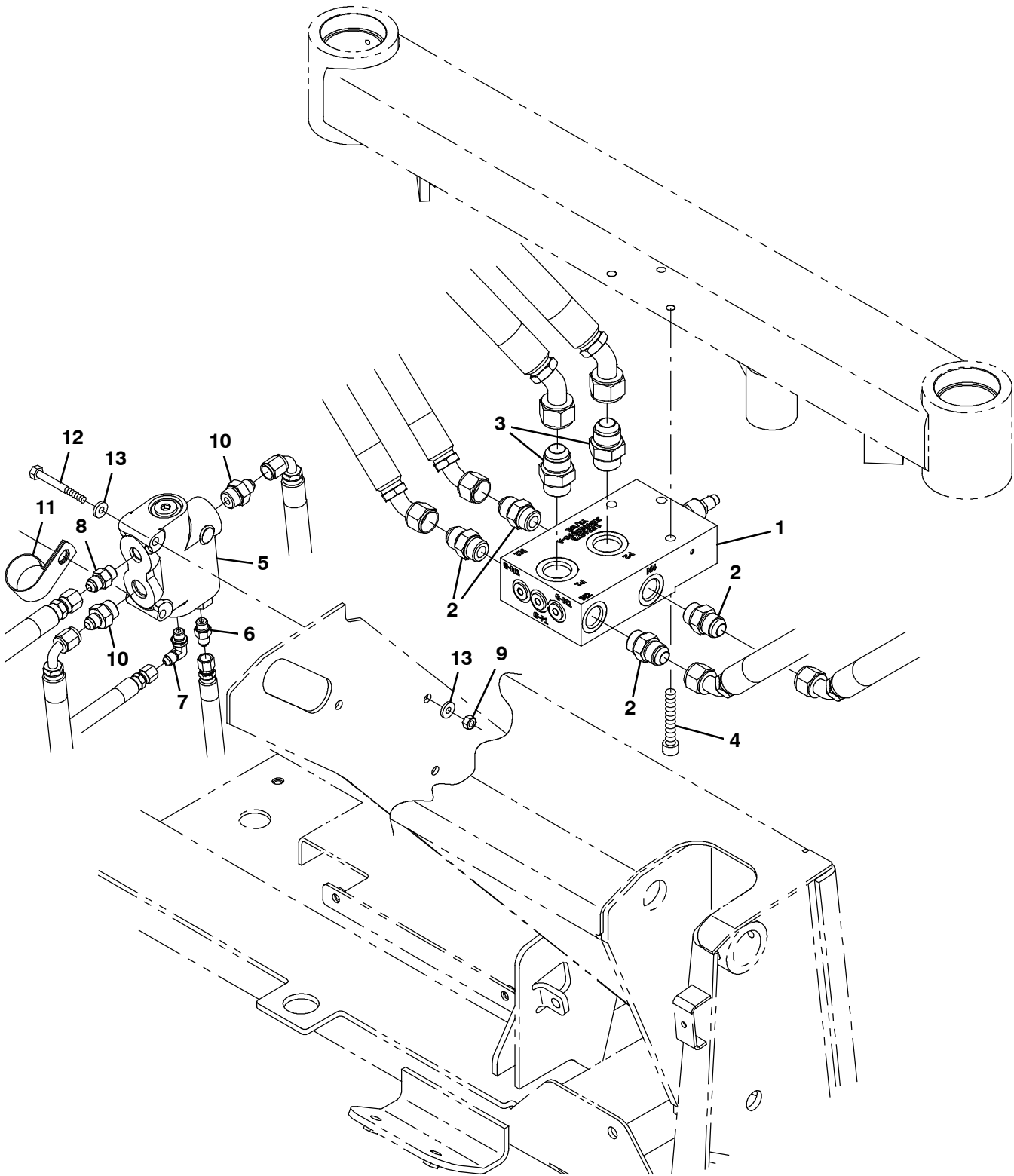


Fig. 61 - Hydraulic Priority and Flow Divider Valve Group, S30 X4

Ref.	Part No.	Serial Number	Description	Qty.
1	1033685	(006501-) Valve, Hyd, Flow Divider, Propel [4w] (See Breakdowns)	1
2	46480	(006501-) Fitting, Hyd, Str, Jm10/Om10	4
3	79868	(006501-) Fitting, Hyd, Str, Fm12/Om12	2
4	396810	(006501-) Screw, Soc, M10 X 1.50 X 50, 12.9	2
5	1035144	(006501-) Valve, Hyd [Priority Ds05g1200]	1
6	762428	(006501-) Fitting, Hyd, Str, Fm04/Om04	1
7	762427	(006501-) Fitting, Hyd, E90, Fm04/Om04	1
8	762433	(006501-) Fitting, Hyd, Str, Fm06/Om06	1
9	08709	(006501-) Nut, Hex, Lock, M8 X 1.25, NI	2
10	762438	(006501-) Fitting, Hyd, Str, Fm06/Om08	2
11	70157	(006501-) Clamp, Cable, Ss, 2.50d X 1.00w, 1hole	1
12	39279	(006501-) Screw, Hex, M8 X 1.25 X 70, 8.8	2
13	32491	(006501-) Washer, Flat, 0.31, Std	4

Fig. 62 - Electrical Schematic, S30

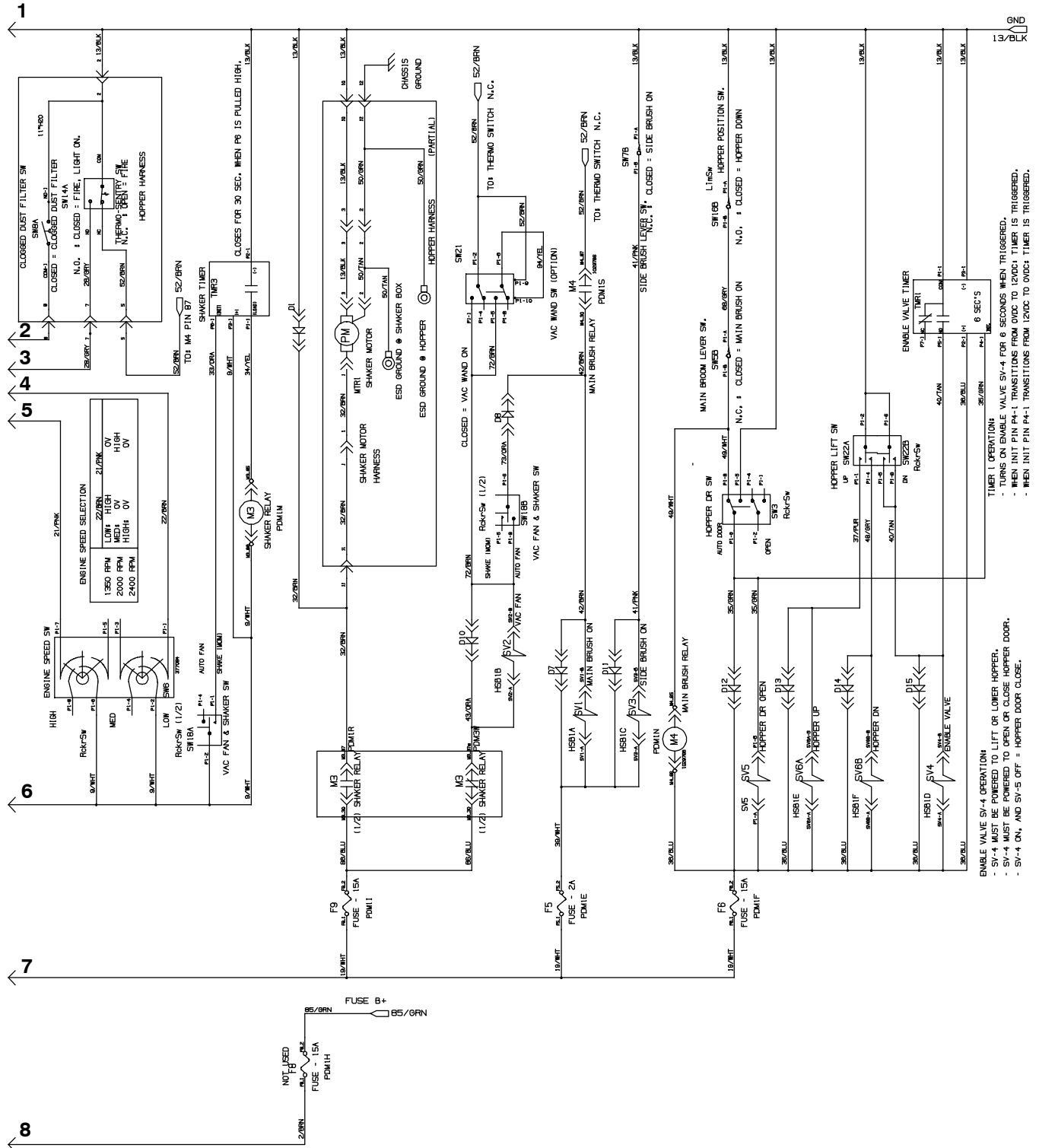


Fig. 62 - Electrical Schematic, S30

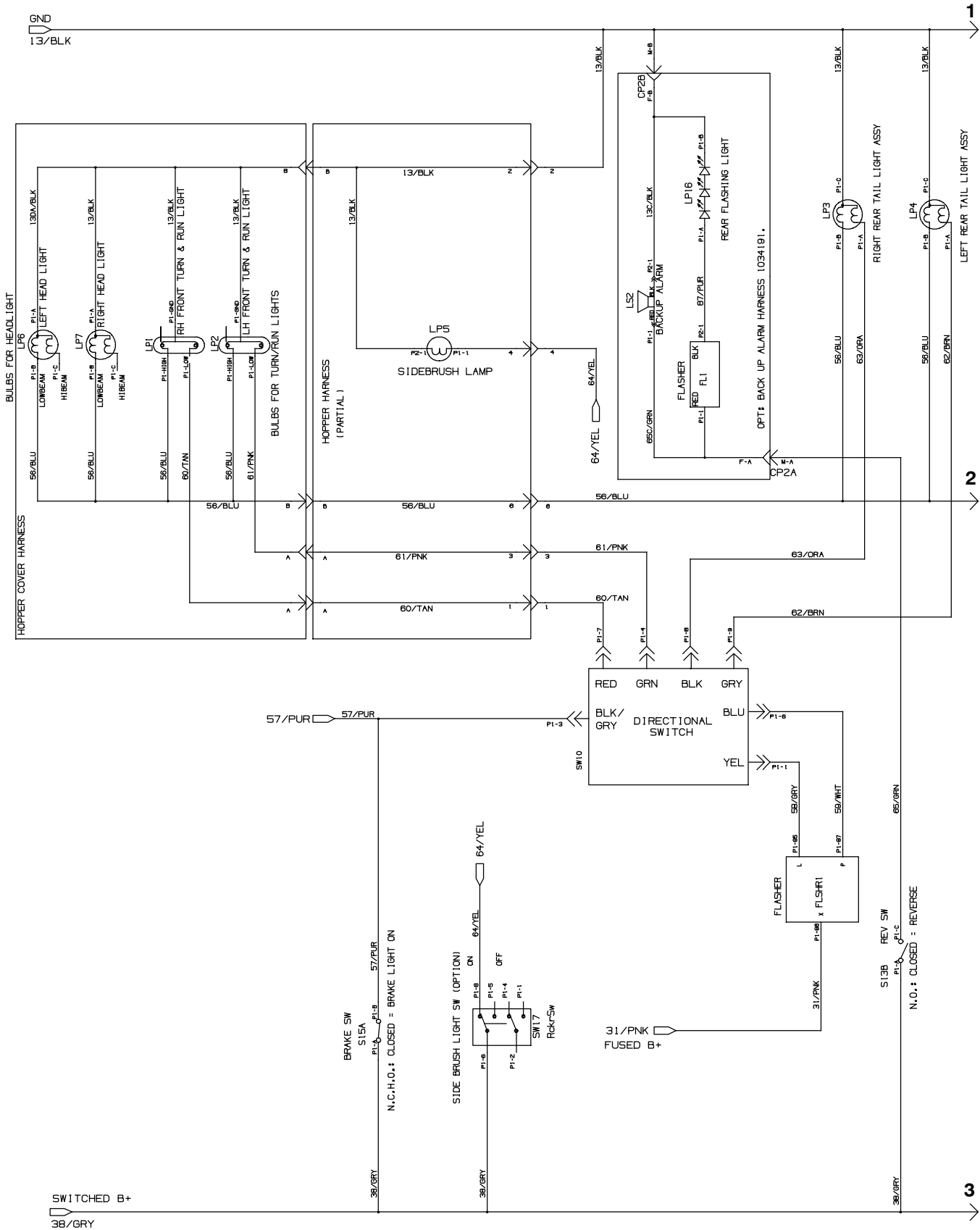


Fig. 63 - Electrical Schematic, S30 XP

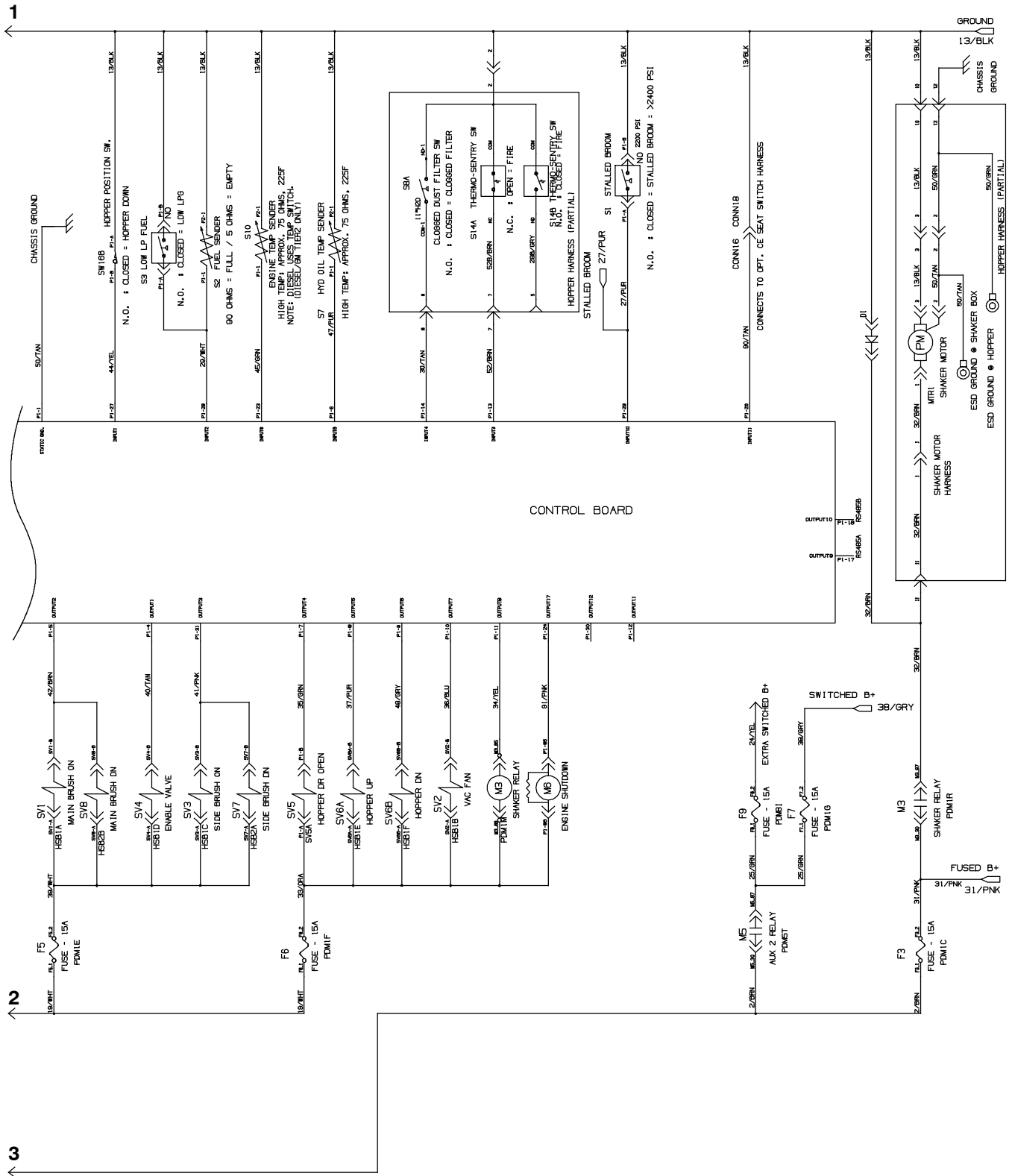


Fig. 63 - Electrical Schematic, S30 XP

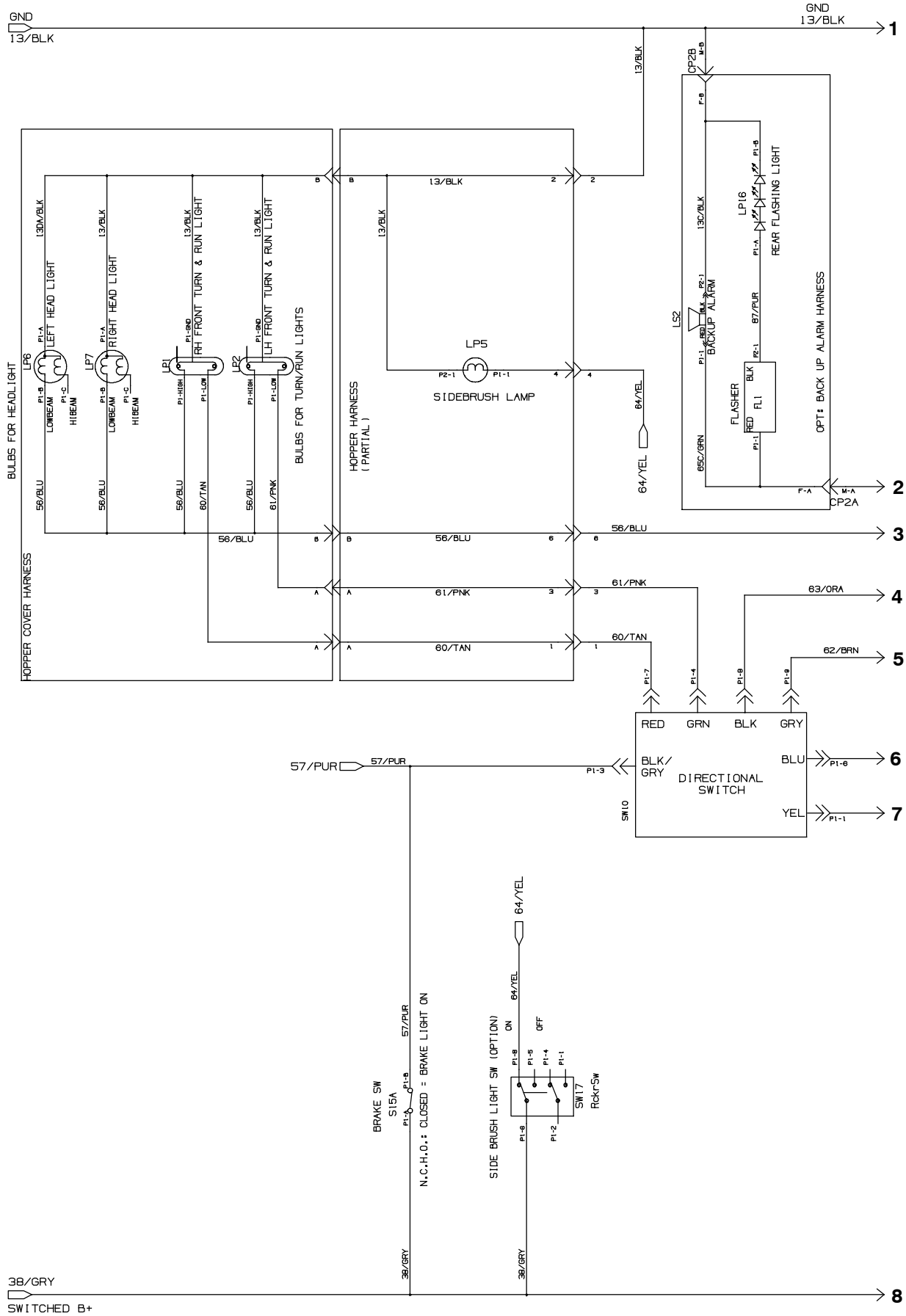


Fig. 63 - Electrical Schematic, S30 XP

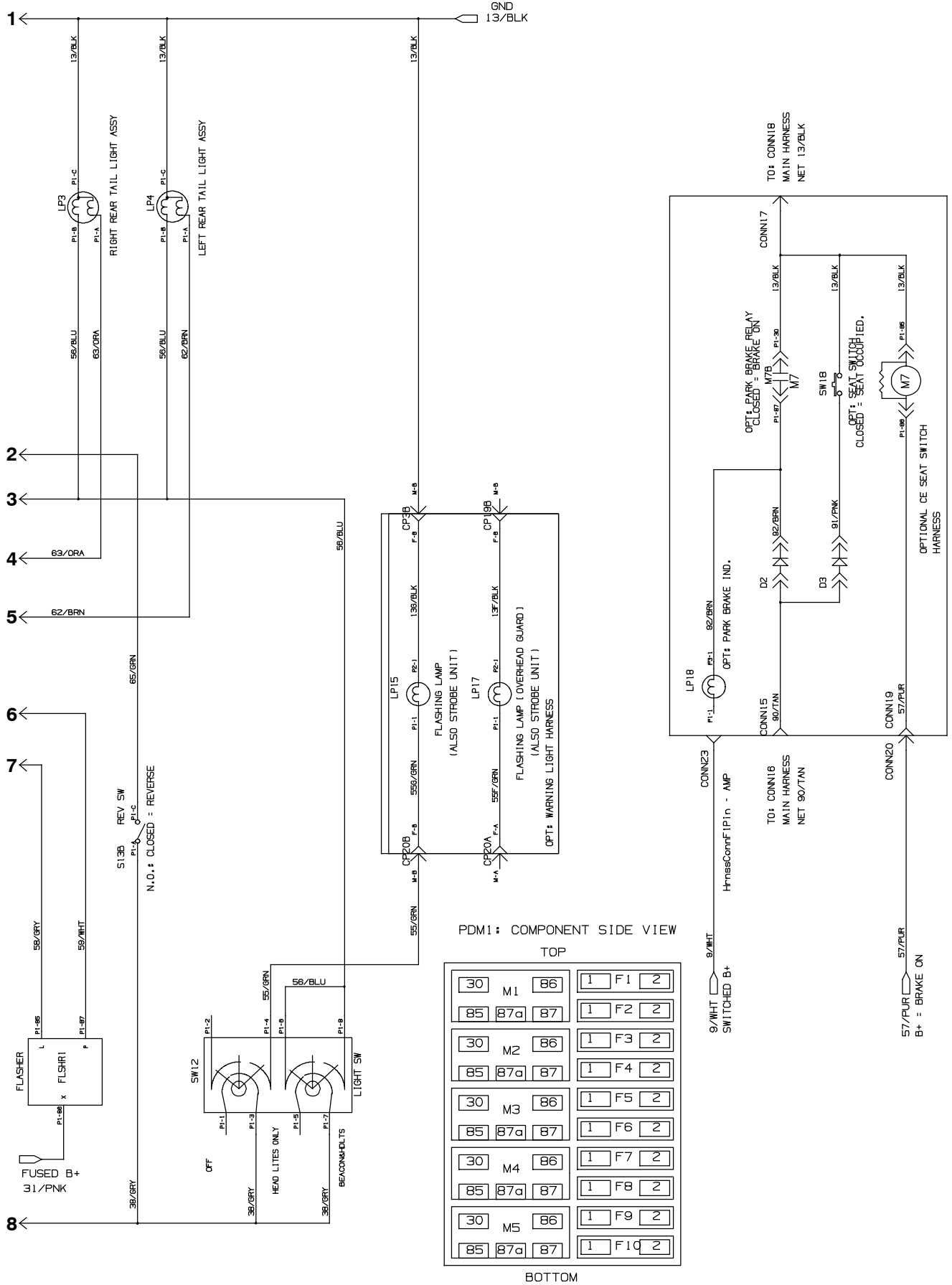


Fig. 64 - Electrical Wire Harnesses Group

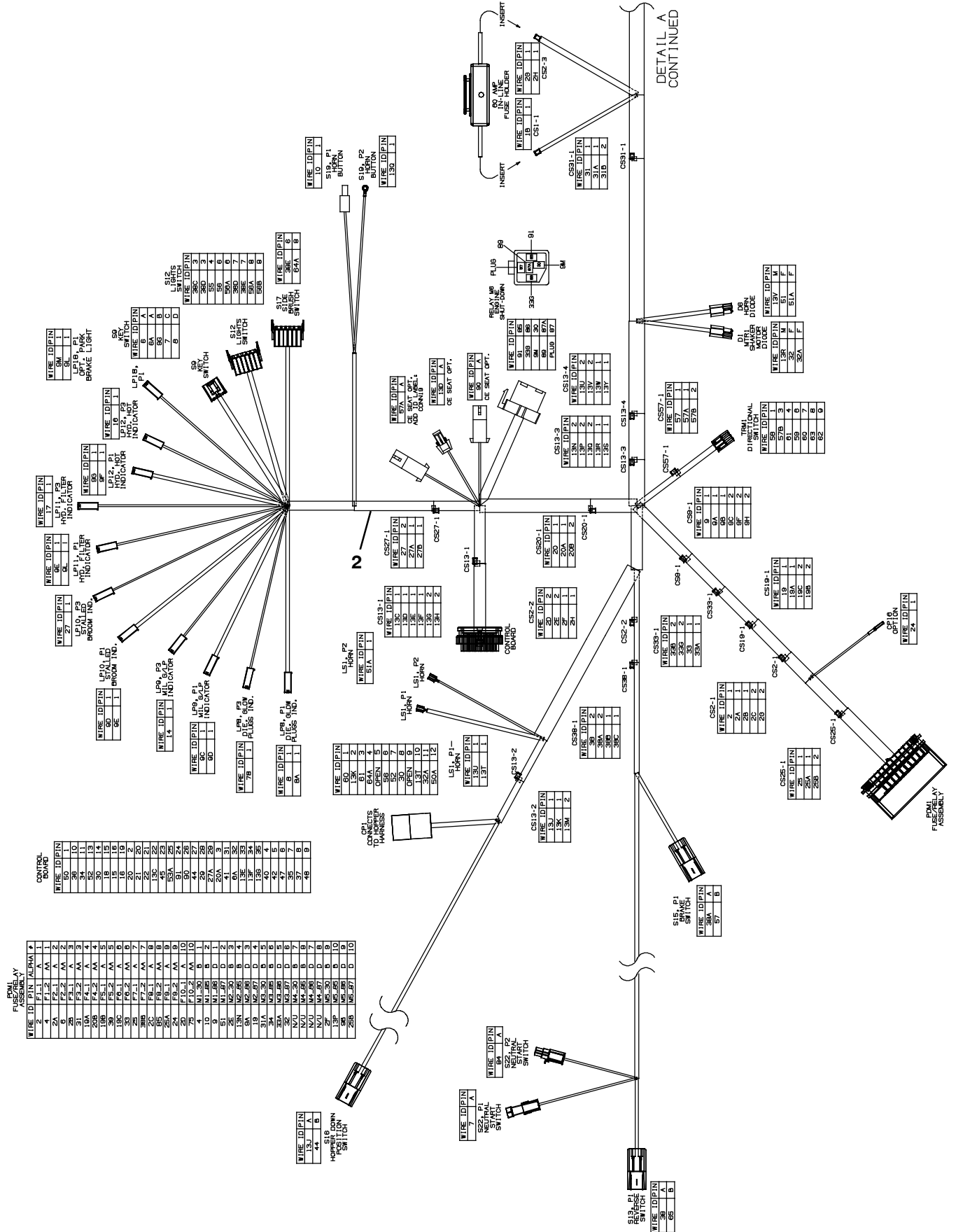


Fig. 64 - Electrical Wire Harnesses Group

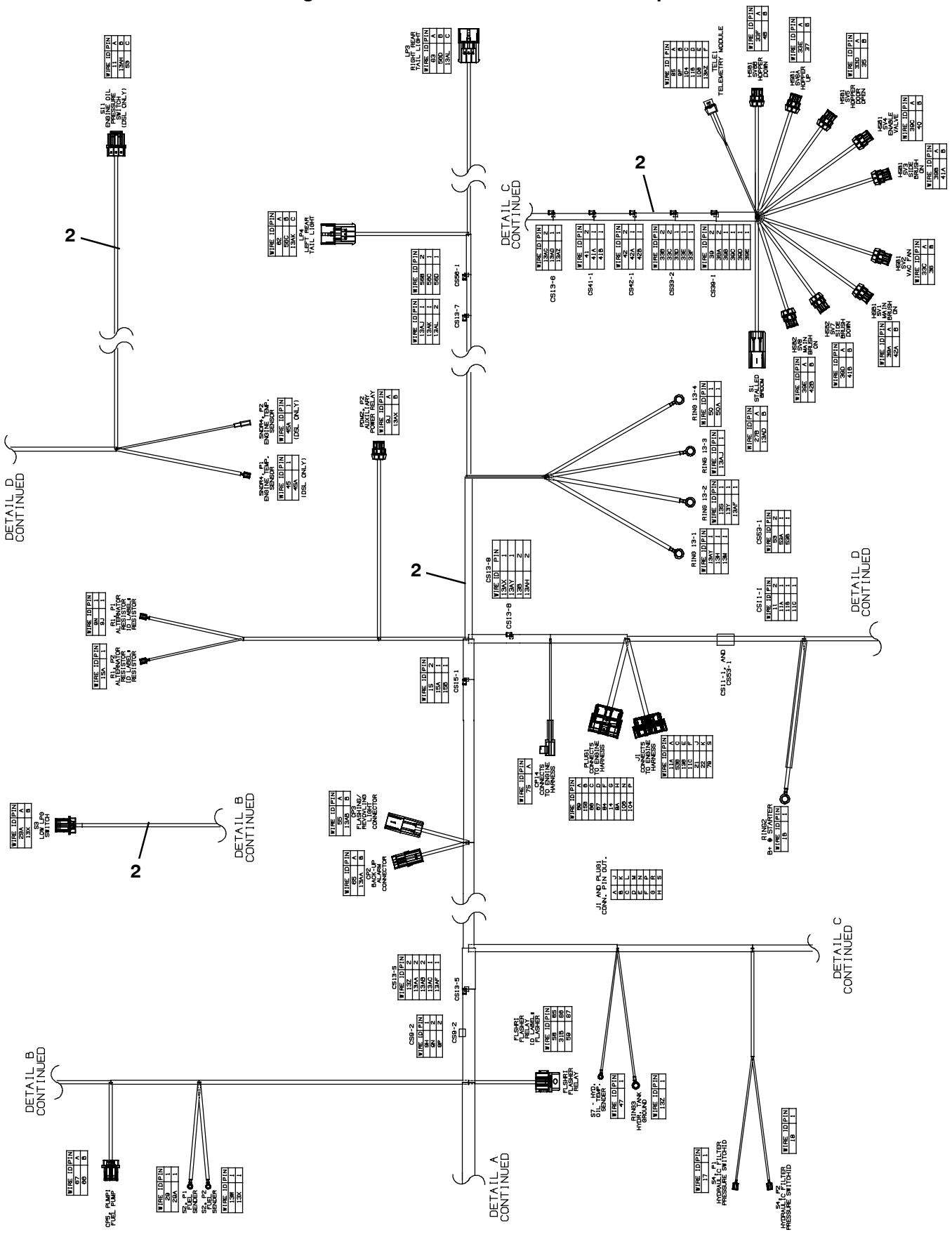


Fig. 64 - Electrical Wire Harness Group

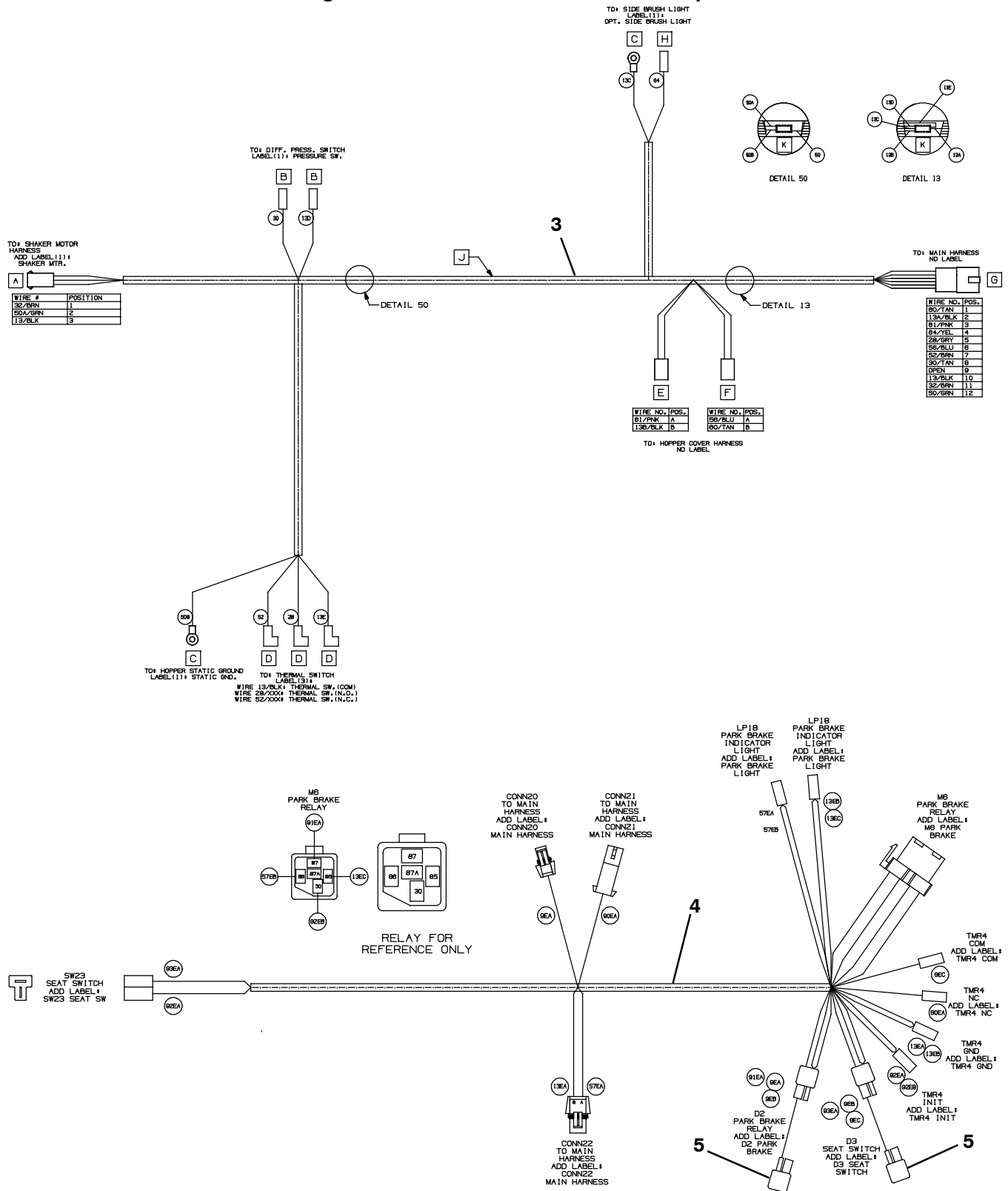
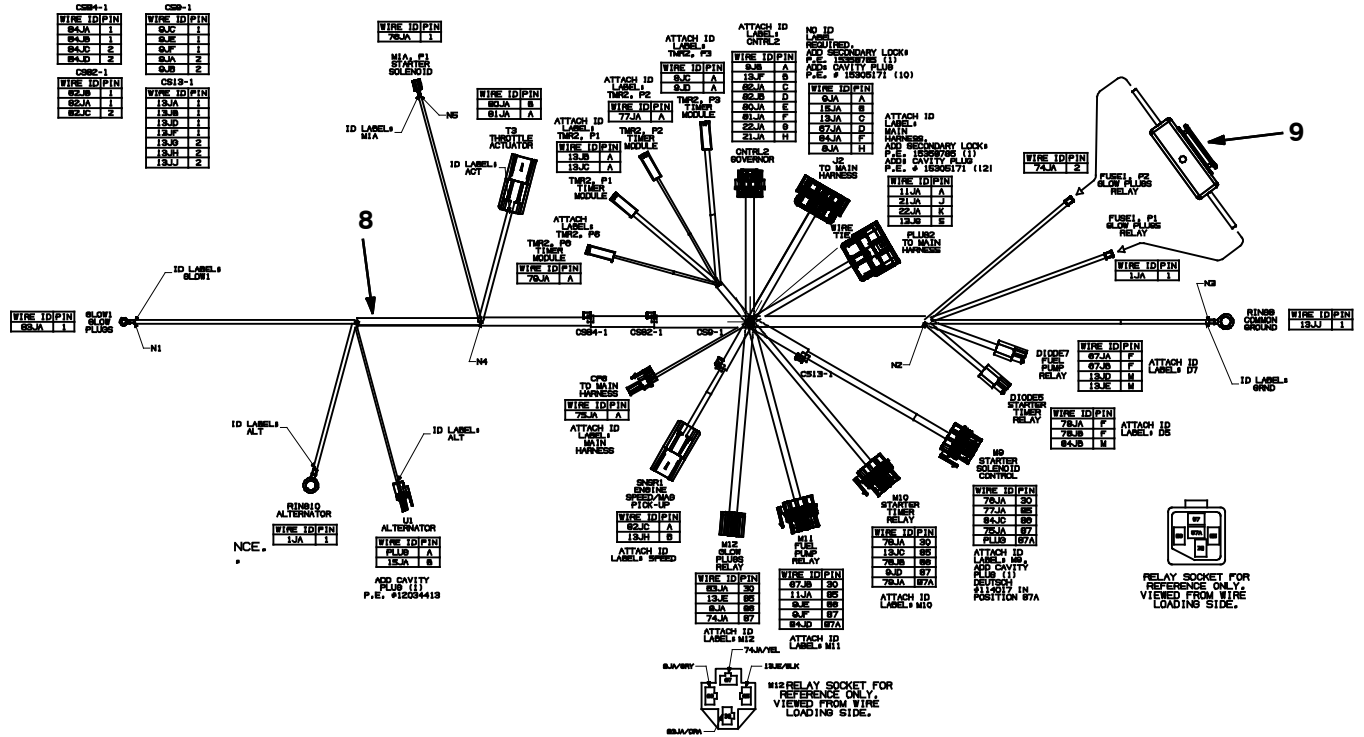


Fig. 64 - Electrical Wire Harnesses Group




356988 - 354732 - 354826 - 354827 - 356287

Ref.	Part No.	Serial Number	Description	Qty.
	1	1073794	(006501-) Harness, Main,[S30 Phoenix] (S30 Only)	1
	2	1073795	(006501-) Harness, Main, [S30 Xp] (S30 XP Only)	1
	3	1073902	(006501-) Harness, Hppr [S30/S30Xp Phoenix]	1
	4	1047618	(006501-) Harness, Switch, Seat, Ce [S30] (Europe Only)	1
	5	222290	(006501-) Diode, Ele, Plug (Europe Only)	2
	6	1047619	(006501-) Harness, Switch, Seat, Ce [S30 Xp] (Europe Only) (S30XP Only)	2
	7	1033520	(006501-) Harness, Cover, Hppr [S30]	1
▽	8	1030972	(006501-) Harness, Eng, Dsl [S30]	1
▲	9	1035889	(006501-) Fuse, Blade, 40A [Maxi]	1
▲		762516	(006501-) Fuse, Blade, 030A, 32Vdc	1

Fig. 65 - Label Group

	<p>LOW SULFUR FUEL OR ULTRA LOW SULFUR FUEL ONLY</p> <p>SÓLO COMBUSTIBLE CON UN NIVEL BAJO EN SULFURO O COMBUSTIBLE CON UN NIVEL MÍNIMO DE SULFURO</p> <p>COMBUSTIBLE À FAIBLE TENEUR OU À TRÈS FAIBLE TENEUR EN SOUFRE SEULEMENT</p>		<table border="1"> <tr> <th>▲ WARNING</th> <th>▲ AVERTISSEMENT</th> <th>▲ ADVERTENCIA</th> </tr> <tr> <td> Machine emits toxic gases. Serious injury or death can result. Provide adequate ventilation. </td> <td> La machine produit des gaz toxiques. Ces gaz peuvent provoquer des blessures ou la mort. Veillez à ce que l'endroit soit bien aéré. </td> <td> La máquina emite gases tóxicos. Pueden provocar lesiones graves o fatales. Asegúrese de que existe suficiente ventilación. </td> </tr> </table>	▲ WARNING	▲ AVERTISSEMENT	▲ ADVERTENCIA	 Machine emits toxic gases. Serious injury or death can result. Provide adequate ventilation.	 La machine produit des gaz toxiques. Ces gaz peuvent provoquer des blessures ou la mort. Veillez à ce que l'endroit soit bien aéré.	 La máquina emite gases tóxicos. Pueden provocar lesiones graves o fatales. Asegúrese de que existe suficiente ventilación.						
▲ WARNING	▲ AVERTISSEMENT	▲ ADVERTENCIA													
 Machine emits toxic gases. Serious injury or death can result. Provide adequate ventilation.	 La machine produit des gaz toxiques. Ces gaz peuvent provoquer des blessures ou la mort. Veillez à ce que l'endroit soit bien aéré.	 La máquina emite gases tóxicos. Pueden provocar lesiones graves o fatales. Asegúrese de que existe suficiente ventilación.													
	<table border="1"> <tr> <th>▲ WARNING</th> </tr> <tr> <td> Moving belt and fan. Keep away. </td> </tr> <tr> <th>▲ AVERTISSEMENT</th> </tr> <tr> <td> La courroie et le ventilateur sont en mouvement. Ne vous approchez pas. </td> </tr> <tr> <th>▲ ADVERTENCIA</th> </tr> <tr> <td> Correa y ventilador en movimiento. Manténgase alejado. </td> </tr> </table>	▲ WARNING	 Moving belt and fan. Keep away.	▲ AVERTISSEMENT	 La courroie et le ventilateur sont en mouvement. Ne vous approchez pas.	▲ ADVERTENCIA	 Correa y ventilador en movimiento. Manténgase alejado.	<p>FOR SAFETY</p> <p>Read manual before operating machine.</p> <p>POUR VOTRE SECURITE</p> <p>Lisez le manuel avant d'utiliser la machine.</p> <p>PARA SEGURIDAD</p> <p>Lea el manual antes de operar la máquina.</p>	<table border="1"> <tr> <th>▲ WARNING</th> <th>▲ AVERTISSEMENT</th> <th>▲ ADVERTENCIA</th> </tr> <tr> <td> Raised hopper may fall. Engage hopper support bar. </td> <td> La trémie levée peut tomber. Engagez la barre de support de la trémie. </td> <td> La caja colectorá en posición elevada puede caer. Monte la barra de apoyo. </td> </tr> </table>	▲ WARNING	▲ AVERTISSEMENT	▲ ADVERTENCIA	 Raised hopper may fall. Engage hopper support bar.	 La trémie levée peut tomber. Engagez la barre de support de la trémie.	 La caja colectorá en posición elevada puede caer. Monte la barra de apoyo.
▲ WARNING															
 Moving belt and fan. Keep away.															
▲ AVERTISSEMENT															
 La courroie et le ventilateur sont en mouvement. Ne vous approchez pas.															
▲ ADVERTENCIA															
 Correa y ventilador en movimiento. Manténgase alejado.															
▲ WARNING	▲ AVERTISSEMENT	▲ ADVERTENCIA													
 Raised hopper may fall. Engage hopper support bar.	 La trémie levée peut tomber. Engagez la barre de support de la trémie.	 La caja colectorá en posición elevada puede caer. Monte la barra de apoyo.													
			<table border="1"> <tr> <th>▲ WARNING</th> </tr> <tr> <td> Lift arm pinch point. Stay clear of hopper lift arms. </td> </tr> <tr> <th>▲ AVERTISSEMENT</th> </tr> <tr> <td> Attention au point d'articulation du bras d'élevation. Ne vous approchez pas des bras d'élevation de la trémie. </td> </tr> <tr> <th>▲ ADVERTENCIA</th> </tr> <tr> <td> Punto de pinzamiento del brazo elevador. No se acerque a los brazos elevadores de la caja colectorá. </td> </tr> </table>	▲ WARNING	 Lift arm pinch point. Stay clear of hopper lift arms.	▲ AVERTISSEMENT	 Attention au point d'articulation du bras d'élevation. Ne vous approchez pas des bras d'élevation de la trémie.	▲ ADVERTENCIA	 Punto de pinzamiento del brazo elevador. No se acerque a los brazos elevadores de la caja colectorá.						
▲ WARNING															
 Lift arm pinch point. Stay clear of hopper lift arms.															
▲ AVERTISSEMENT															
 Attention au point d'articulation du bras d'élevation. Ne vous approchez pas des bras d'élevation de la trémie.															
▲ ADVERTENCIA															
 Punto de pinzamiento del brazo elevador. No se acerque a los brazos elevadores de la caja colectorá.															

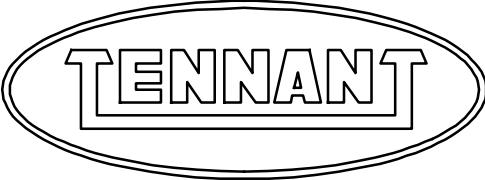
5



4

SweepSmart™

1




TENNANT

2

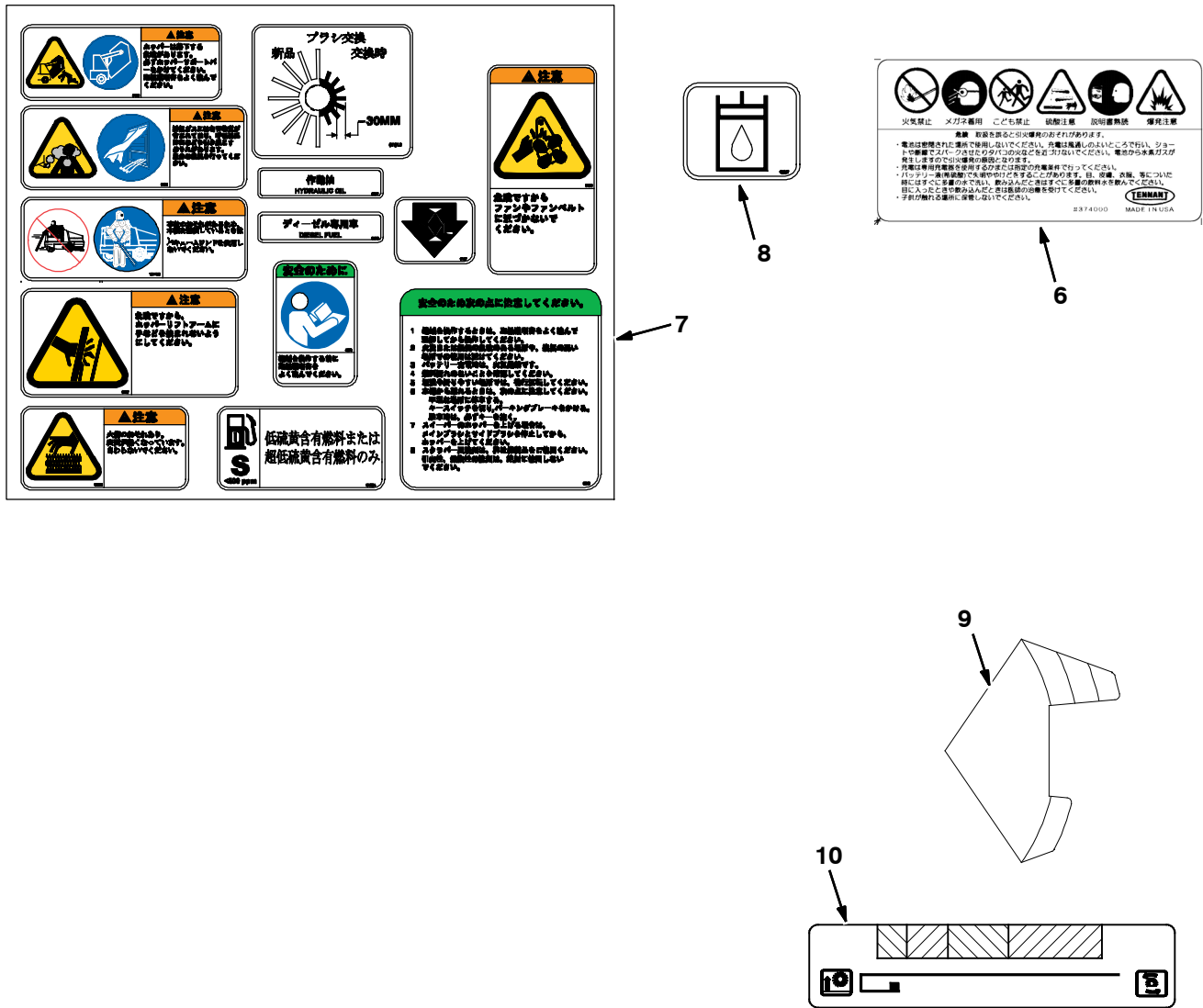
	<table border="1"> <tr> <th>▲ WARNING</th> </tr> <tr> <td> Burn hazard. Hot surface. Do NOT touch. </td> </tr> <tr> <th>▲ AVERTISSEMENT</th> </tr> <tr> <td> Risque de brûlures. Surface chaude. Ne pas toucher. </td> </tr> <tr> <th>▲ ADVERTENCIA</th> </tr> <tr> <td> Peligro de quemaduras. Superficie caliente. NO tocar. </td> </tr> </table>	▲ WARNING	Burn hazard. Hot surface. Do NOT touch.	▲ AVERTISSEMENT	Risque de brûlures. Surface chaude. Ne pas toucher.	▲ ADVERTENCIA	Peligro de quemaduras. Superficie caliente. NO tocar.
▲ WARNING							
Burn hazard. Hot surface. Do NOT touch.							
▲ AVERTISSEMENT							
Risque de brûlures. Surface chaude. Ne pas toucher.							
▲ ADVERTENCIA							
Peligro de quemaduras. Superficie caliente. NO tocar.							
	<table border="1"> <tr> <th>▲ 注意</th> </tr> <tr> <td> 火傷のおそれあり。表面が熱くなっています。さわらないでください。 </td> </tr> </table>	▲ 注意	火傷のおそれあり。表面が熱くなっています。さわらないでください。				
▲ 注意							
火傷のおそれあり。表面が熱くなっています。さわらないでください。							

3



S30

Fig. 65 - Label Group



NA

Ref.	Part No.	Serial Number	Description	Qty.
1	1047741	(006501-)	Label, Logo, 10.4l, White [Tennant]	1
2	1017141	(006501-)	Label Set, Hi Temp	1
3	1061047	(006501-)	Label, White [S30]	3
4	1061048	(006501-)	Label, Cyclone [S30]	3
5	59767	(006501-)	Label Set, Info/Hzrd [Multi- Mach]	1
6	374000	(006501-)	Label, Caution, Battery, Tj (Japan Only)	1
7	72381	(006501-)	Label Set, Info/Hzrd, Misc, Tj (Japan Only)	1
8	19207	(006501-)	Label, Info, Hyd Fluid, Na / Ce (Japan Only)	1
11	383203	(006501-)	Label, Info, Arm, Brush	1
12	383202	(006501-)	Label, Handle, Lift	1

SECTION 3

Contents	Page
Fig. 1 - Indoor Light Kit	3- 2
Fig. 2 - Outdoor Light Kit	3- 4
Fig. 3 - Left Hand Side Brush Kit, S30 XP and X4	3- 6
Fig. 4 - Vacuum Wand Kit	3- 8
Fig. 5 - Overhead Guard Kit	3- 10
Fig. 6 - Cab Group	3- 12
Fig. 7 - Cab Cover Group	3- 14
Fig. 8 - Cab Door Group	3- 16
Fig. 9 - Cab Heater Group	3- 18
Fig. 10 - Cab Air Conditioner Group	3- 20
Fig. 11 - Cab Fuel Cover Group	3- 22
Fig. 12 - Cab Wire Harness Group	3- 24
Fig. 13 - Cab Wire Harness Electrical Schematic	3- 25
Fig. 14 - Corner Bumper Kit	3- 26
Fig. 15 - Telemetry Group	3- 27
Fig. 16 - Side and Rear Skirt Kit	3- 28
Fig. 17 - Wet Side Brush Dust Control Water Tank Group	3- 30
Fig. 18 - Wet Right Hand Side Brush Dust Control Spray Nozzle Group	3- 32
Fig. 19 - Wet Dual Side Brush Dust Control Spray Nozzle Group	3- 34
Fig. 20 - Wet Side Brush Dust Control Electrical Group	3- 36
Fig. 21 - Wet Side Brush Dust Control Wire Harness Group	3- 38
Fig. 22 - Wet Side Brush Dust Control Rework Group (S/N 006501- 008140) ...	3- 40
Fig. 23 - Wet Side Brush Dust Control Electrical Schematic, S30	3- 42
Fig. 24 - Wet Side Brush Dust Control Electrical Schematic, S30 XP ...	3- 43
Fig. 25 - Right Hand Side Brush Dust Control Skirt Kit	3- 44
Fig. 26 - Dual Side Brush Dust Control Skirt Kit	3- 46
Fig. 27 - HEPA Filter Vacuum Hose Group	3- 48
Fig. 28 - HEPA Filter Box Group	3- 50
Fig. 29 - HEPA Filter Exhaust Cover Group	3- 52
Fig. 30 - HEPA Filter Electrical Group	3- 54
Fig. 31 - Fire Extinguisher Kit	3- 55
Fig. 32 - Spotlight Kit, Blue	3- 56
Fig. 33 - Tow Hook Group	3- 58
Fig. 34 - Seat Belt Group	3- 59
Fig. 35 - Weather Proof Pouch Group	3- 60
Fig. 36 - Documentation Group (Online Only)	3- 61

Fig. 1 - Indoor Light Kit

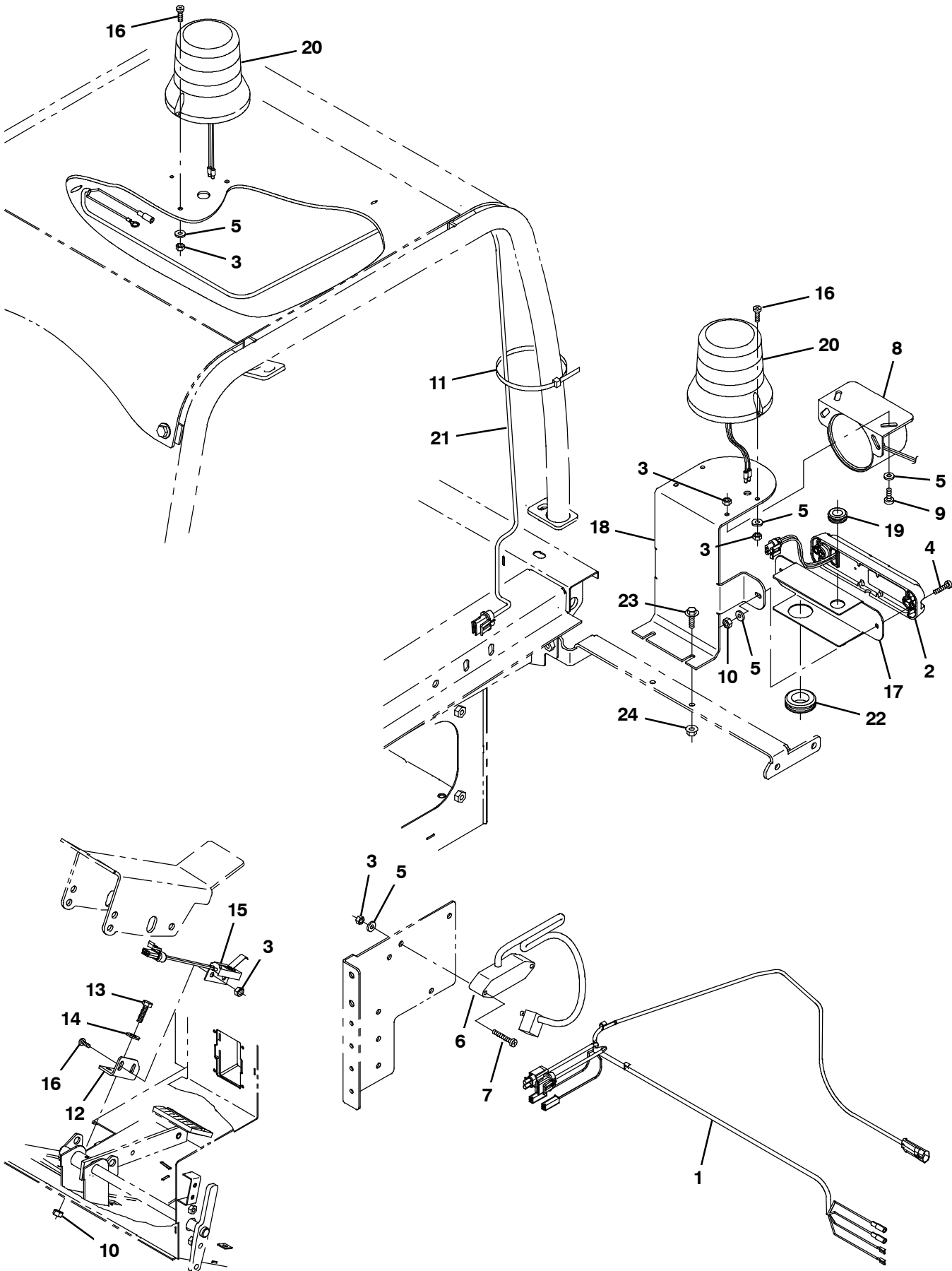


Fig. 1 - Indoor Light Kit

	Ref.	Part No.	Serial Number	Description	Qty.
▽		9008199	(006501-) Light Kit, Inside, Ci [S30]	1
▲	1	1034191	(006501-) Harness, Backup, Rev [S30]	1
▲	2	1036173	(006501-) Light, Led, White, 12- 24vdc	1
▲	3	06549	(006501-) Nut, Hex, Lock, M5 X 0.80, NI	6
▲	4	06935	(006501-) Screw, Pan, Phl, M5 X 0.80 X 25, 4.8	2
▲	5	19066	(006501-) Washer, Flat, 10	8
▲	6	1036985	(006501-) Flasher, 12- 80vdc, 2a	1
▲	7	06938	(006501-) Screw, Pan, Phl, M5 X 0.80 X 40, 4.8	2
▲	8	9007131	(006501-) Alarm Assy, Backup, 12- 24vdc 82- 107dba	1
▲	9	09145	(006501-) Screw, Pan, Phl, M6 X 1.00 X 16, 4.8	2
▲	10	07785	(006501-) Nut, Hex, Std, M6 X 1.00, Ss	4
▲	11	49266	(006501-) Tie, Cable, Nyl, 07.3l .19w 1.8 Max D	4
▲	12	1036995	(006501-) Bracket, Switch, Reverse	1
▲	13	08716	(006501-) Screw, Hex, M6 X 1.00 X 20, Ss	2
▲	14	32483	(006501-) Washer, Flat, 0.25, Sae	2
▲	15	1039735	(006501-) Switch, Snap, 15a No	1
▲	16	06933	(006501-) Screw, Pan, Phl, M5 X 0.80 X 16, 4.8	4
▲	17	1061203	(006501-) Bracket, Light	1
▲	18	1061140	(006501-) Bracket, Alarm, Backup	1
▲	19	10632- 9	(006501-) Grommet, Rbr, 0.63id, F/0.8h, .12 Matl	1
▲	20	1075297	(006501-) Light, Flsh, 12vdc, Amb, Rwk	1
▲	21	1030973	(006501-) Harness, Ohg [S30]	1
▲	22	10632- 14	(006501-) Grommet, Rbr, 1.00id, F/1.4h, .12 Matl	1
▲	23	1036892	(006501-) Screw, Hex, M6 X 1.00 X 25, 9.8, Sems	2
▲	24	07790	(006501-) Nut, Hex, Flng, M6 X 1.00	2

Fig. 2 - Outdoor Light Kit

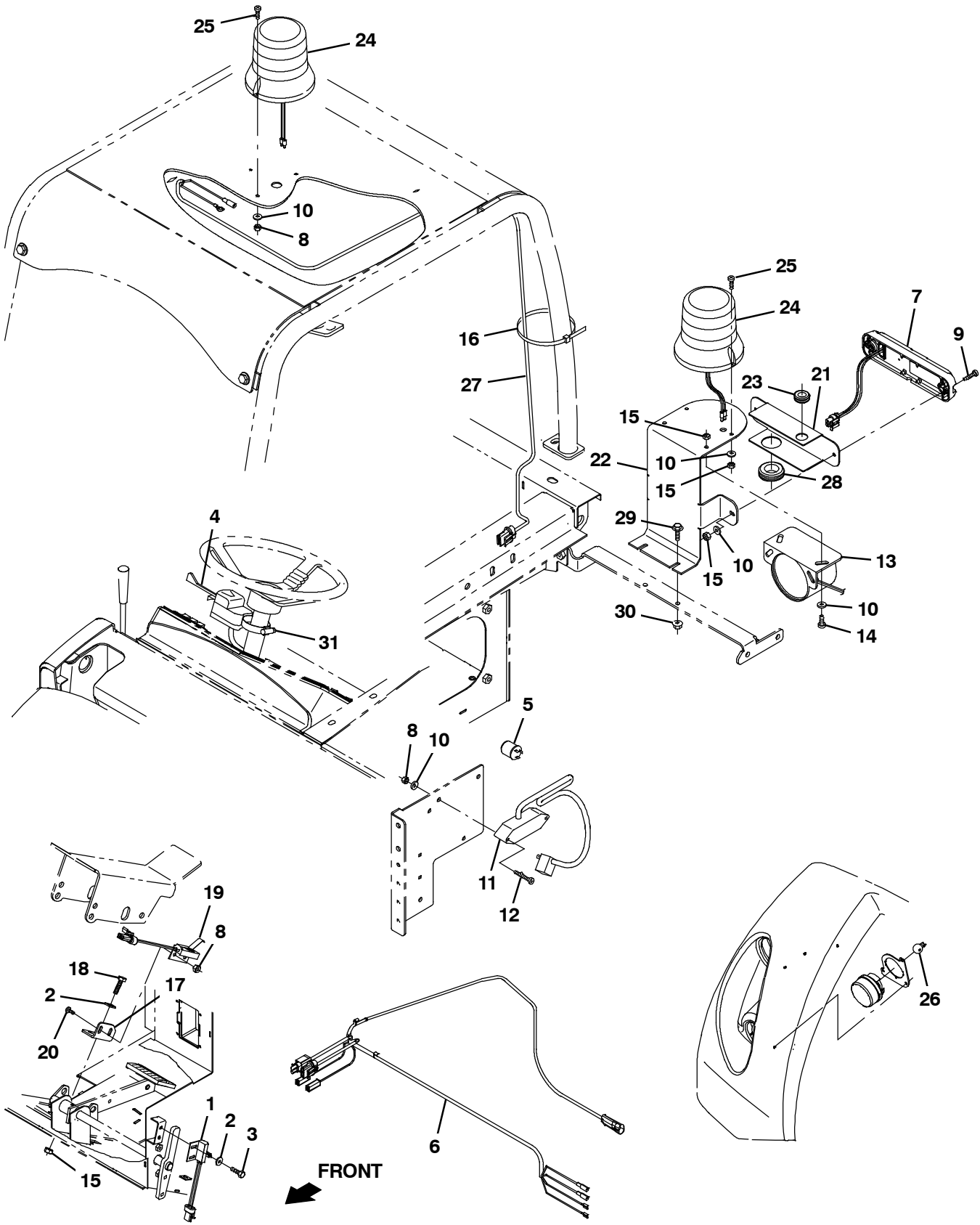


Fig. 2 - Outdoor Light Kit

Ref.	Part No.	Serial Number	Description	Qty.
▽	9008198	(006501-) Light Kit, outdoor, Ci [S30]	1
▲	1 1040019	(006501-) Switch, Limit, 15a, Nc	1
▲	2 32483	(006501-) Washer, Flat, 0.25, Sae	4
▲	3 09244	(006501-) Screw, Hex, M5 X 0.80 X 16, 8.8	2
▲	4 60751	(006501-) Switch, Turn Signal	1
▲	5 31922	(006501-) Flasher, Hd, 12vdc 25a [10- 57300]	1
▲	6 1034191	(006501-) Harness, Backup, Rev [S30]	1
▲	7 1036173	(006501-) Light, Led, White, 12- 24vdc	1
▲	8 06549	(006501-) Nut, Hex, Lock, M5 X 0.80, NI	8
▲	9 06935	(006501-) Screw, Pan, Phl, M5 X 0.80 X 25, 4.8	2
▲	10 19066	(006501-) Washer, Flat, 10	8
▲	11 1036985	(006501-) Flasher, 12- 80vdc, 2a	1
▲	12 06938	(006501-) Screw, Pan, Phl, M5 X 0.80 X 40, 4.8	2
▲	13 9007131	(006501-) Alarm Assy, Backup, 12- 24vdc 82- 107dba	1
▲	14 09145	(006501-) Screw, Pan, Phl, M6 X 1.00 X 16, 4.8	2
▲	15 07785	(006501-) Nut, Hex, Std, M6 X 1.00, Ss	4
▲	16 49266	(006501-) Tie, Cable, Nyl, 07.3l .19w 1.8 Max D	4
▲	17 1036995	(006501-) Bracket, Switch, Reverse	1
▲	18 08716	(006501-) Screw, Hex, M6 X 1.00 X 20, Ss	2
▲	19 1039735	(006501-) Switch, Snap, 15a No	1
▲	20 06933	(006501-) Screw, Pan, Phl, M5 X 0.80 X 16, 4.8	2
▲	21 1061203	(006501-) Bracket, Light	1
▲	22 1061140	(006501-) Bracket, Alarm, Backup	1
▲	23 10632- 9	(006501-) Grommet, Rbr, 0.63id, F/0.8h, .12 Matl	1
▲	24 1075296	(006501-) Light, Flsh, 12vdc, Amb, Rwk	1
▲	25 06933	(006501-) Screw, Pan, Phl, M5 X 0.80 X 16, 4.8	2
▲	26 1036183	(006501-) Lamp, Clr, 12vdc [#3157 Series]	2
▲	27 1030973	(006501-) Harness, Ohg [S30]	1
▲	28 10632- 14	(006501-) Grommet, Rbr, 1.00id, F/1.4h, .12 Matl	1
▲	29 1036892	(006501-) Screw, Hex, M6 X 1.00 X 25, 9.8, Sems	2
▲	30 07790	(006501-) Nut, Hex, Flng, M6 X 1.00	2
▲	31 11531	(006501-) Clamp, Hose, Wormdrive, 1.06- 2.00d, .56w	1

Fig. 3 - Left Hand Side Brush Kit, S30 XP and X4

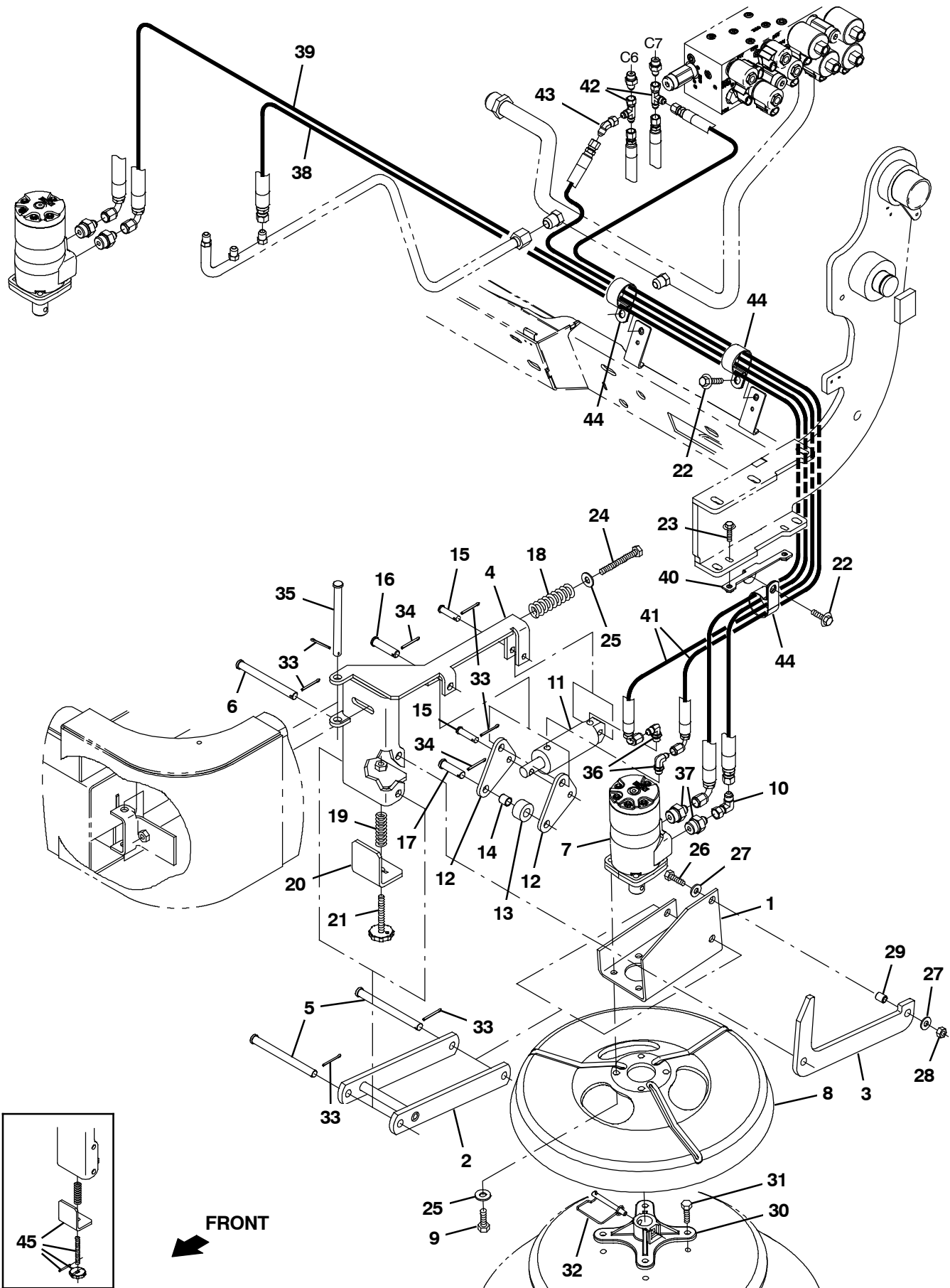


Fig. 3 - Left Hand Side Brush Kit, S30 XP and X4

Ref.	Part No.	Serial Number	Description	Qty.
▽	9013113	(006501-) Brush Kit, Side, Lh, Ci [S30]	1
▲	1 1031916	(006501-) Bracket, Mtg, Motor, Side Brush	1
▲	2 1029682	(006501-) Arm Wldt, Brush, Side	1
▲	3 1026459	(006501-) Arm, Linkage, Side Brush	1
▲	4 1039649	(006501-) Pivot Wldt, Brush, Side	1
▲	5 51225	(006501-) Pin, Clevis, 0.50d X 5.50l	2
▲	6 51538	(006501-) Pin, Clevis, 0.50d X 5.00l	1
▲	7 1057338	(006501-) Motor, Hyd, Gear, Int 17.9 Bi- Dir 2500	1
▲	8 1054256	(006501-) Guard, Brush	1
▲	9 46559	(006501-) Screw, Hex, .38- 16 X 1.25, NI	4
▲	10 1072195	(006501-) Fitting, Hyd, E90, Ff06/Fm06	1
▲	11 1041034	(006501-) Cylinder, Hyd, 1.5b 06.3l 01.50strk 2500	1
▲	12 1026462	(006501-) Lever, Lift, Brush	2
▲	13 1026525	(006501-) Tube, 0.59id 1.25od 00.6l, Stl	1
▲	14 59634	(006501-) Bushing, Sleeve, 0.50b 0.59d 0.62l, Fgl	1
▲	15 29558	(006501-) Pin, Clevis, 0.37d X 1.50l	2
▲	16 51534	(006501-) Pin, Clevis, 0.50d X 2.00l	1
▲	17 43290	(006501-) Pin, Clevis, 0.50d X 1.75l	1
▲	18 45261	(006501-) Spring, Cmpr, 0.97od .11wir 02.5l	1
▲	19 22290	(006501-) Spring, Cmpr, 0.72od .06wir 02.3l	1
▲	20 1075439	(008331-) Angle	1
▲	21 1075444	(008331-) Knob, Assy, Sb Xp	1
▲	22 1037346	(006501-) Screw, Hex, M8 X 1.25 X 25, 9.8, Sems	3
▲	23 1037345	(006501-) Screw, Hex, M6 X 1.00 X 30, 9.8, Sems	2
▲	24 06965	(006501-) Screw, Hex, M10 X 1.5 X 80, 8.8	1
▲	25 32492	(006501-) Washer, Flat, 0.38, Std	5
▲	26 76570	(006501-) Screw, Hex, M8 X 1.25 X 30, 8.8	1
▲	27 32491	(006501-) Washer, Flat, 0.31, Std	2
▲	28 08709	(006501-) Nut, Hex, Lock, M8 X 1.25, NI	1
▲	29 80395	(006501-) Sleeve, P/M, 0.31b 0.50d 0.7l [430ss]	1
▲	30 47501	(006501-) Hub, Adapter, Brush, 1.00b	1
▲	31 39394	(006501-) Screw, Hex, .31- 09 X 1.25, Wood	4
▲	32 84581	(006501-) Pin Assy, Side Brush W/ Clip	1
▲	33 08182	(006501-) Pin, Cotter, .125 X 1.00	6
▲	34 39005	(006501-) Pin, Cotter, .094 X 0.75	2
▲	35 222196	(006501-) Pin, Clevis, 0.50d X 4.25l	1
▲	36 762427	(006501-) Fitting, Hyd, E90, Fm04/Om04	2
▲	37 762439	(006501-) Fitting, Hyd, Str, Fm06/Om10	2
▲	38 1067661	(006501-) Hose, Hyd, Tc06, Ff06e90/Ff06str, 102.0	1
▲	39 1067105	(006501-) Hose, Hyd, Tc08, Ff06e90/Ff06str, 134.0	1
▲	40 1213656	(006501-) Bracket, Wldt, Mtg, Hyd	2
▲	41 1067088	(006501-) Hose, Hyd, Tc04, Ff04e90/Ff04str, 126.0	2
▲	42 767422	(006501-) Fitting, Hyd, Tee, Ff04/Fm04/Fm04, Run	2
▲	43 1011123	(006501-) Fitting, Hyd, E45, Ff04/Fm04	1
▲	44 53468	(006501-) Clamp, Cable, Stl, 1.75d X 1.00w, 1hole	3
▲	45 9015652	(006501- 008330)) Knob Kit, Repair Side Brush	1

Fig. 4 - Vacuum Wand Kit

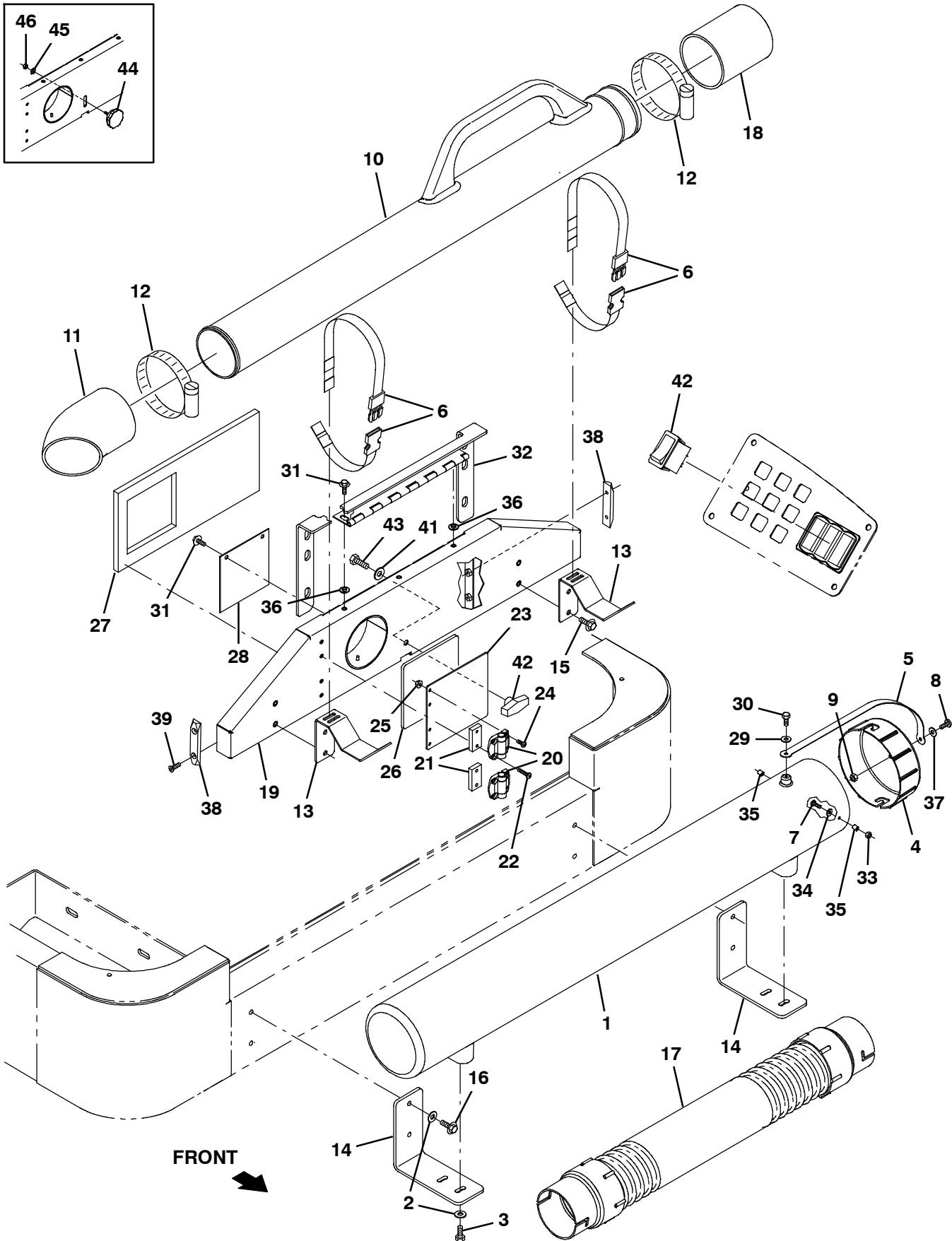


Fig. 4 - Vacuum Wand Kit

Ref.	Part No.	Serial Number	Description	Qty.
▽	9013873	(006501-) Wand Kit, Vacuum, Ci [Roto. S30]	1
▲	1 1032752	(006501-) Tube, Hose	1
▲	2 32491	(006501-) Washer, Flat, 0.31, Std	8
▲	3 16931	(006501-) Screw, Hex, M8 X 1.25 X 20, 8.8	4
▲	4 1041473	(006501-) Cap, Enclosure, Hose	1
▲	5 1041754	(006501-) Strap, Cap, Enclosure	1
▲	6 367974	(006501-) Strap, Pyp, 0.07 1.0w 18.5l, W/ Buckle	2
▲	7 06934	(006501-) Screw, Pan, Phl, M5 X 0.80 X 20, 4.8	2
▲	8 09145	(006501-) Screw, Pan, Phl, M6 X 1.00 X 16, 4.8	1
▲	9 08708	(006501-) Nut, Hex, Lock, M6 X 1.00, NI	1
▲	10 1032584	(006501-) Wand, Vacuum	1
▲	11 1032707	(006501-) Hose, Nozzle, Floor	1
▲	12 79380	(006501-) Clamp, Hose, Wormdrive, 3.75- 4.62d, .62w	2
▲	13 1214153	(006501-) Bracket, Mtg, Wand	2
▲	14 1046993	(006501-) Bracket, Mtg, Tube	2
▲	15 1020341	(006501-) Screw, Hex, M8 X 1.25 X 20, Ss, Sems	4
▲	16 763045	(006501-) Screw, Hex, M8 X 1.25 X 20, Fmg	4
▲	17 1042718	(006501-) Hose Assy, W/2cuff, 4.0d 156l 4.0/4.0	1
▲	18 1041882	(006501-) Hose, Rbr	1
▲	19 9013446	(006501-) Door Wldt, Hppr, Vac- Wand, Replmt, Na	1
▲	19 9013447	(006501-) Door Wldt, Hppr, Vac- Wand, Replmt, Ce	1
▲	19 9013448	(006501-) Door Wldt, Hppr, Vac- Wand, Replmt, Jp	1
▲	20 367950	(006501-) Hinge, .40pin 2.2w 02.0l, 4/0.21h	2
▲	21 1214152	(006501-) Block, Spacer, Hinge	2
▲	22 06935	(006501-) Screw, Pan, Phl, M5 X 0.80 X 25, 4.8	4
▲	23 1214258	(006501-) Door , Vacuum	1
▲	24 06932	(006501-) Screw, Pan, Phl, M5 X 0.80 X 10, 4.8	4
▲	25 07789	(006501-) Nut, Hex, Fling, M5 X 0.80	4
▲	26 1039007	(006501-) Seal, Ure, .25, 06.0w 06.0l, Adh	1
▲	27 1035660	(006501-) Gasket, Ure, .50, 07.47w, 15.47l, Adh	1
▲	28 1039038	(006501-) Flap, Wand, Vacuum	1
▲	29 01683	(006501-) Washer, Flat, 10, Ss	1
▲	30 383000	(006501-) Screw, Hex, 12- 16 X 0.75	1
▲	31 1040467	(006501-) Screw, Hex, M6 X 1.00 X 20, 9.8, Sems	4
▲	32 1214034	(006501-) Bracket Wldt, Door, Front	1
▲	33 06549	(006501-) Nut, Hex, Lock, M5 X 0.80, NI	2
▲	34 19066	(006501-) Washer, Flat, 0.25b 0.56d .05, Pl, 10	2
▲	35 610943	(006501-) Sleeve, P/M, 0.22b 0.32d 0.4l, Pl	2
▲	36 1213565	(006501-) Sleeve, Flange	2
▲	37 01684	(006501-) Washer, Flat, 0.27b 0.69d .05, Ss	1
▲	38 1213971	(006501-) Block, Nylon	2
▲	39 09062	(006501-) Screw, Flt, Soc, M6 X 1.00 X 16, 10.9	4
▲	40 04706	(006784-) Knob, Tee, 0.38- 16, 2.5 X 1.0 1.1l,Plstc	1
▲	41 32485	(006784-) Washer, Flat, 0.38, Sae	1
▲	42 397889	(006501-) Switch, Rocker, Dpst, On / None / On (S30 ONLY)	1
▲	43 21195	(006784-) Screw, Hex, .38- 16 X 0.75, G5	1
	44 1047543	(006501- 006783)	Knob, Rnd, 2.38d 0.88l M6 X 1.0, Plstc	1
	45 32490	(006501- 006783)	Washer, Flat, 0.25, Std	1
	46 08708	(006501- 006783)	Nut, Hex, Lock, M6 X 1.00, NI	1

Fig. 5 - Overhead Guard Kit

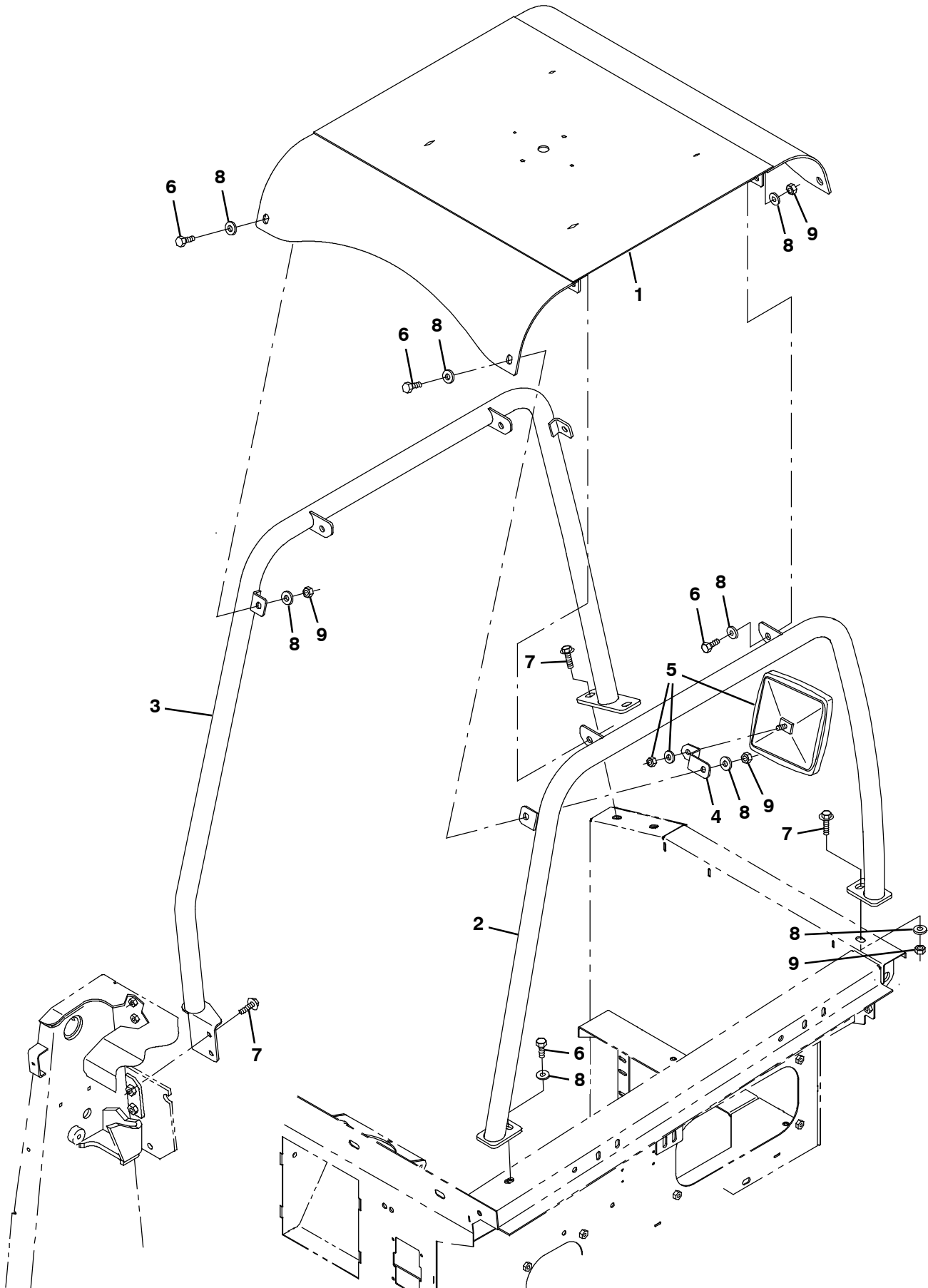


Fig. 5 - Overhead Guard Kit

	Ref.	Part No.	Serial Number	Description	Qty.
▽		9008200	(006501-) Ohg Kit, Ci [S30]	1
▲	1	1032262	(006501-) Guard Wldt, Ohg, Top	1
▲	2	1032067	(006501-) Leg Wldt, Guard, Lh	1
▲	3	1061016	(006501-) Leg Wldt, Guard, Rh	1
▲	4	1032722	(006501-) Bracket, Mtg, Mirror	1
▲	5	49034	(006501-) Mirror, Convex, 06.7 X 06.2	1
▲	6	39283	(006501-) Screw, Hex, M10 X 1.5 X 25, 8.8	8
▲	7	1037358	(006501-) Screw, Hex, M10 X 1.50 X 35, 9.8, Sems	5
▲	8	32492	(006501-) Washer, Flat, 0.38, Std	17
▲	9	41430	(006501-) Nut, Hex, Lock, M10 X 1.5, NI	9

Fig. 6 - Cab Group

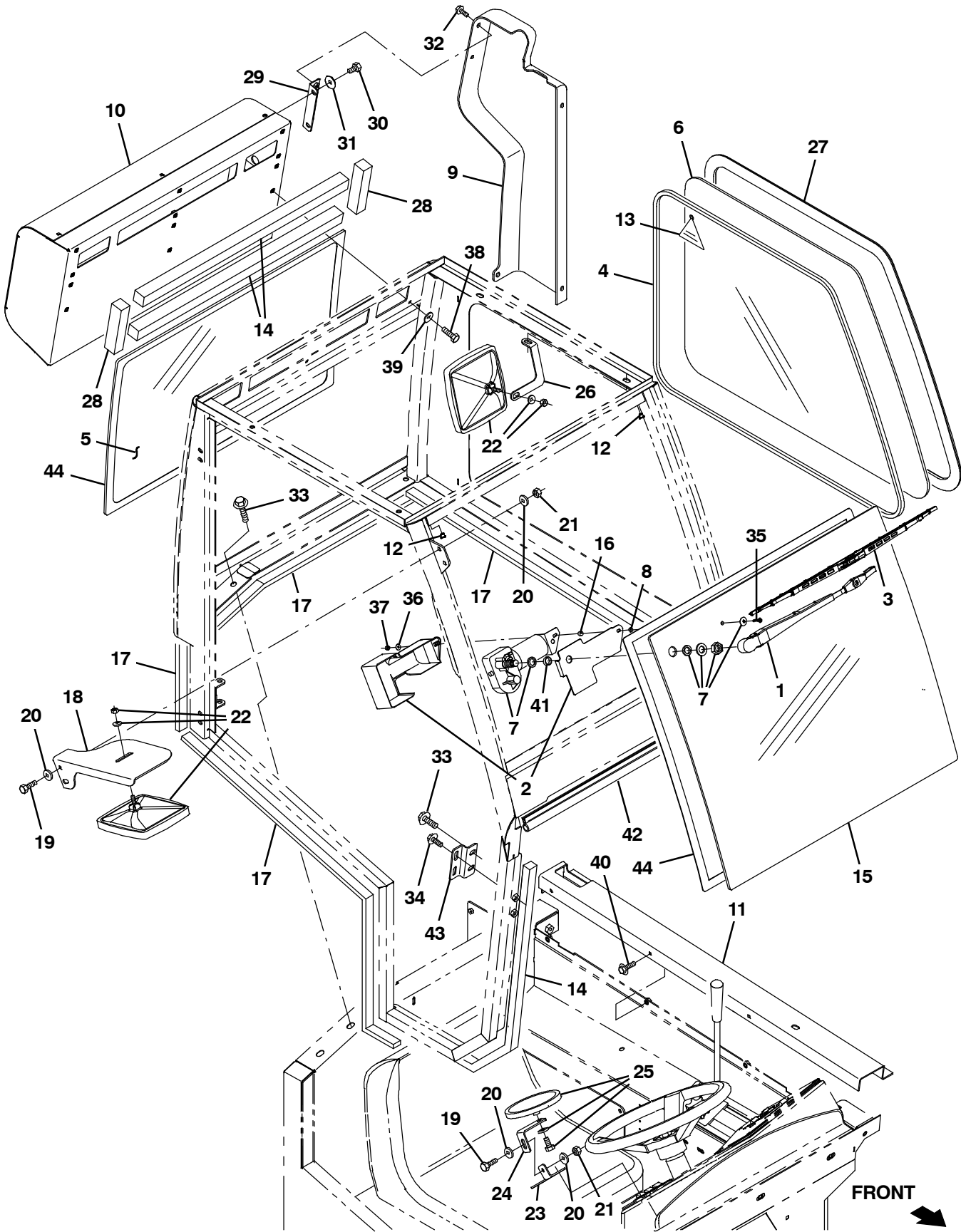


Fig. 6 - Cab Group

Ref.	Part No.	Serial Number	Description	Qty.
1	1250704	(006501-) Arm, Wiper, Windshield [280- 380mm ADJ]	1
2	1067891	(006501-) Plate, Motor, Wiper, Cab	1
3	1250690	(006501-) Blade, Wiper, Windshield, 20.0"	1
4	9009219	(006501-) Seal, Afmkt, Rbr, Wndw, 10ft [Zipper]	1
5	1067875	(006501-) Pane, Glass, Wndw, Rear	1
6	1067874	(006501-) Pane, Glass, Wndw, Lh Side, Cab	1
7	1067872	(006501-) Motor, Wiper, Cab	1
8	76426	(006501-) Washer, Sealing, 0.28b 0.75d Ss, Neo	1
9	1067869	(006501-) Cover, Hose, Plstc, Cab	1
10	1067918	(006501-) Heater Unit, W/ A/C & Fan (See Breakdowns)	1
11	1060586	(006501-) Lip Wldt, Oprtr Station / Cab	1
12	80061	(006501-) Plug, Hole, Rnd, 0.30h 0.3l	2
13	1067911	(006501-) Label, Info [Exit]	1
14	1069688	(006501-) Seal, Afmkt, Foam, 1.18 X 1.18, 03ft	2
15	1067878	(006501-) Pane, Glass, Wndw, Front	1
16	1069211	(006501-) Spacer, Plstc, 0.18b 0.27d 0.27l	1
17	1069681	(006501-) Seal, Foam, .50, 1.00w 72.00l, Adh	1
18	1049061	(006501-) Bracket, Mtg, Mirror	1
19	09740	(006501-) Screw, Hex, M8 X 1.25 X 20, Ss	3
20	39349	(006501-) Washer, Flat, 0.31, Sae	6
21	08713	(006501-) Nut, Hex, Lock, M8 X 1.25, NI, Ss	3
22	49034	(006501-) Mirror, Convex, 06.7 X 06.2	2
23	1048740	(006501-) Bracket, Mtg, Mirror, Lower	1
24	1049017	(006501-) Bracket, Mtg, Mirror, Upper	1
25	1050295	(006501-) Mirror, Convex, 0.50d	1
26	1048743	(006501-) Bracket, Mtg, Mirror	1
27	9009218	(006501-) Seal, Afmkt, Rbr, Wndw, 10ft	1
28	1069687	(006501-) Seal, Afmkt, Foam, 1.18 X 1.18, 01ft	2
29	1066952	(006501-) Bracket, Mtg, Cover	1
30	16735	(006501-) Screw, Hex, M8 X 1.25 X 16, 8.8	2
31	1069326	(006501-) Washer, Flat, 0.31, Sae, Blk	2
32	1040467	(006501-) Screw, Hex, M6 X 1.00 X 20, 9.8, Sems	5
33	1037358	(006501-) Screw, Hex, M10 X 1.50 X 35, 9.8, Sems	6
34	1037346	(006501-) Screw, Hex, M8 X 1.25 X 25, 9.8, Sems	2
35	1069316	(006501-) Screw, Pan, Phl, M4 X 0.70 X 20, Blk	1
36	1059252	(006501-) Washer, Flat, 0.19b 0.50d .03, Stl, Blk	2
37	02850	(006501-) Nut, Hex, Lock, M4 X 0.70, NI	1
38	39277	(006501-) Screw, Hex, M8 X 1.25 X 25, 8.8	6
39	32491	(006501-) Washer, Flat, 0.31, Std	6
40	1037346	(006501-) Screw, Hex, M8 X 1.25 X 25, 9.8, Sems	3
41	1069210	(006501-) Spacer, Plstc, 0.62b 0.75d 0.27l	1
42	1031616	(006501-) Seal, Afmkt, Bulb, Str, .75d F/07ga 03ft	1
43	1069232	(006501-) Bracket, Mtg, Cab	1
44	1227836	(006501-) Molding, Afmkt, Trim, Wndw, Glass, 12ft	1

Fig. 7 - Cab Cover Group

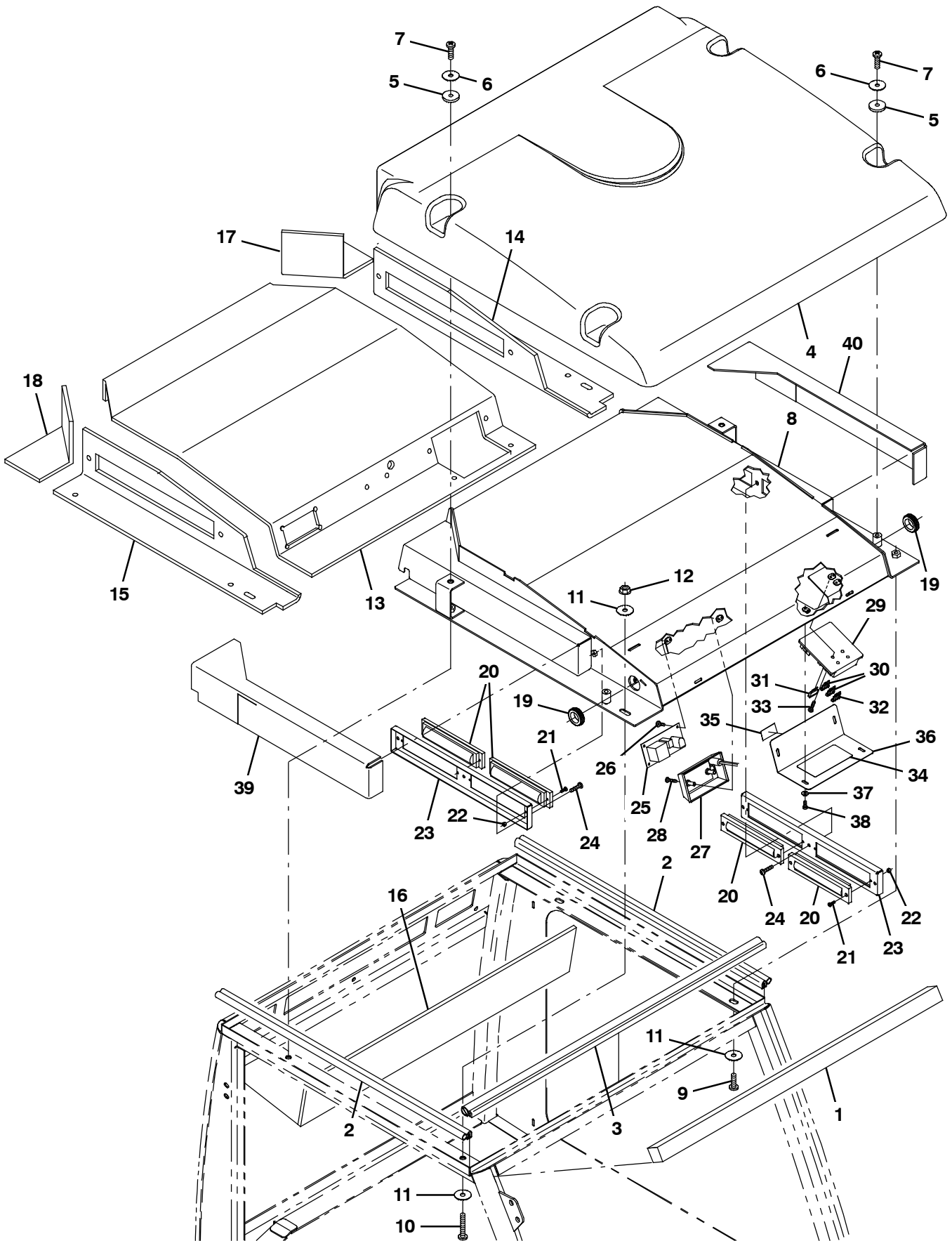


Fig. 7 - Cab Cover Group

Ref.	Part No.	Serial Number	Description	Qty.
1	1069688	(006501-) Seal, Afmkt, Foam, 1.18 X 1.18, 03ft	1
2	1031207	(006501-) Seal, Afmkt, Bulb, 90, 0.50d, 03ft	2
3	1030592	(006501-) Seal, Afmkt, Bulb, 90, 0.75d F/11ga 03ft	1
4	1067873	(006501-) Panel, Roof, Plstc, Cab	1
5	1067887	(006501-) Washer, Cab, Shld, Glass	4
6	1069326	(006501-) Washer, Flat, 0.31, Sae, Blk	4
7	1031665	(006501-) Screw, Pan, Phl, M8 X 1.25 X 25, Blk	4
8	1067217	(006501-) Panel Wldt, Top, Cab	1
9	1069310	(006501-) Screw, Pan, Phl, M8 X 1.25 X 25, Blk	2
10	1069201	(006501-) Screw, Pan, Phl, M8 X 1.25 X 50, Blk	2
11	1060648	(006501-) Washer, Flat, 0.31b 0.67d .07, Stl, Blk	5
12	07791	(006501-) Nut, Hex, Flng, M8 X 1.25	1
13	1068687	(006501-) Insulation, Sound, Liner, Top	1
14	1068690	(006501-) Insulation, Sound, Liner, Lh	1
15	1068689	(006501-) Insulation, Sound, Liner, Rh	1
16	1068688	(006501-) Insulation, Sound, Liner	1
17	1069229	(006501-) Insulation, Sound, Liner, Side, Lh	1
18	1069231	(006501-) Insulation, Sound, Liner, Side, Rh	1
19	10632	(006501-) Grommet, Rbr, 0.89id, F/1.2h, .14 Matl	2
20	1074108	(006501-) Louver, Nozzle, Spindle, Blk	4
21	1069314	(006501-) Screw, Pan, Phl, M3 X 0.50 X 12, Blk	8
22	01754	(006501-) Nut, Hex, Std, M3 X 0	8
23	1066933	(006501-) Plate, Vent	2
24	1069318	(006501-) Screw, Pan, Phl, M5 X 0.80 X 25, Blk	6
25	1068751	(006501-) Controls, Ac/Heater [S30]	1
26	1069315	(006501-) Screw, Pan, Phl, M4 X 0.70 X 10, Blk	4
27	1067886	(006501-) Light, Dome, Cab	1
28	1069317	(006501-) Screw, Pan, Phl, M4 X 0.70 X 25, Blk	1
29	1067870	(006501-) Fuseholder, Cab	1
30	1016029	(006501-) Fuse, Blade, 005a, 32vdc	2
31	611140	(006501-) Fuse, Blade, 020a, 32vdc	1
32	1067917	(006501-) Fuse, Blade, 002a, 32vdc	1
33	1069317	(006501-) Screw, Pan, Phl, M4 X 0.70 X 25, Blk	4
34	1067910	(006501-) Label [Fuse Block]	1
35	1069330	(006501-) Label, Circuitbreaker [Fuse Box]	1
36	1066972	(006501-) Cover, Fuse	1
37	1059252	(006501-) Washer, Flat, 0.19b 0.50d .03, Stl, Blk	4
38	1069315	(006501-) Screw, Pan, Phl, M4 X 0.70 X 10, Blk	4
39	1072046	(006501-) Insulation, Heat, Liner, Rh	1
40	1072047	(006501-) Insulation, Heat, Liner, Lh	1

Fig. 8 - Cab Door Group

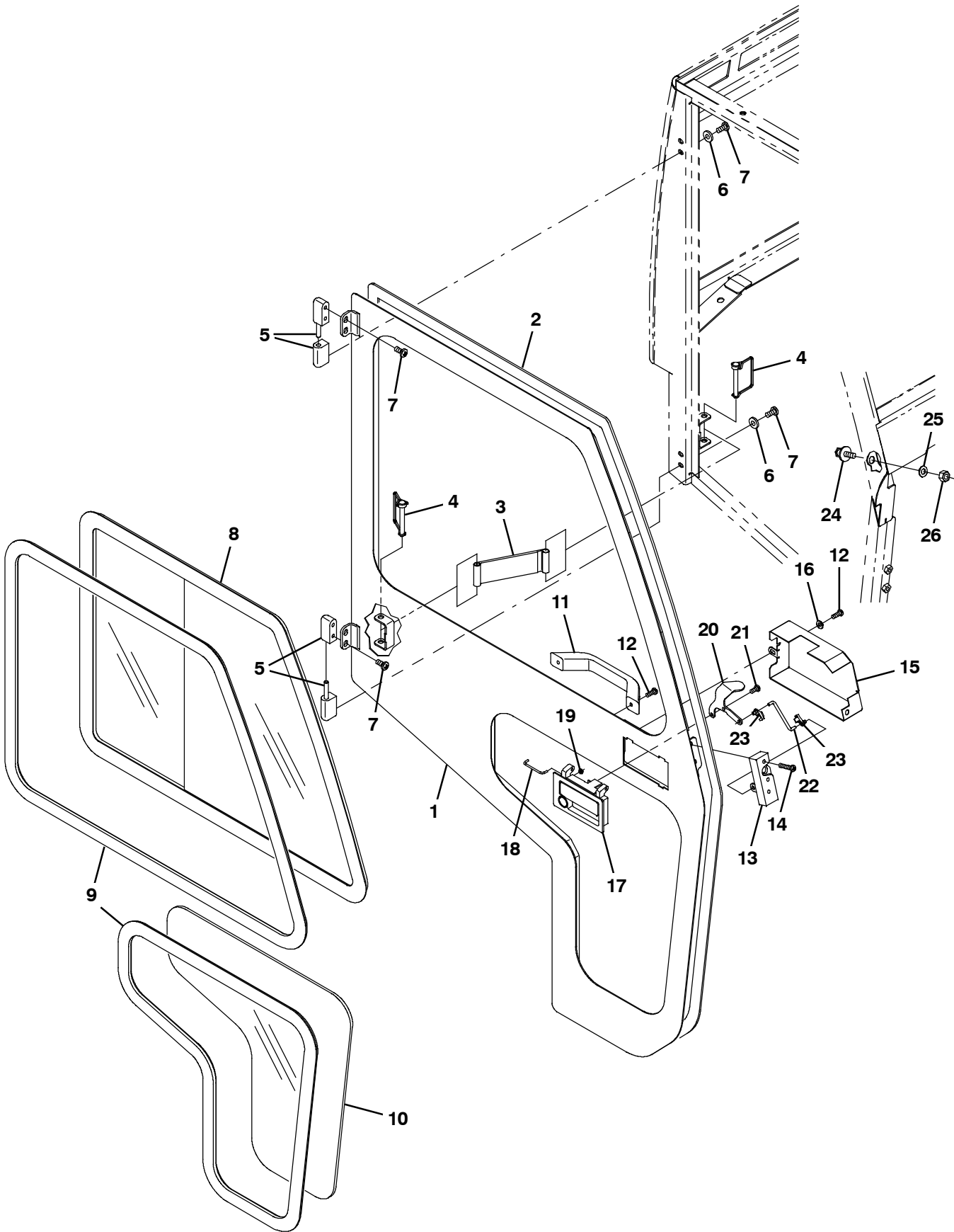


Fig. 8 - Cab Door Group

Ref.	Part No.	Serial Number	Description	Qty.
▽	9014656	(006501-) Door Assy, Cab [S30]	1
▲	1 1067216	(006501-) Door Wldt, Rh	1
▲	2 1030601	(006501-) Seal, Afmkt, Bulb, 90, 0.75d F/11ga 20ft	1
▲	3 1067895	(006501-) Strap, Door, Cab	1
▲	4 1067881	(006501-) Pin, Lock, Cab	2
▲	5 1067879	(006501-) Hinge, Bracket, Door, Cab	2
▲	6 1069326	(006501-) Washer, Flat, 0.31, Sae, Blk	4
▲	7 1069311	(006501-) Screw, Pan, Phl, M8 X 1.25 X 16, Blk	8
▲	8 1067877	(006501-) Pane, Wndw, Slide, Rh, Cab	1
▲	9 9009220	(006501-) Seal, Afmkt, Rbr, Wndw, 08ft	2
▲	10 1067876	(006501-) Pane, Wndw, Lower, Cab	1
▲	11 1067889	(006501-) Handle, Door, Cab	1
▲	12 1069312	(006501-) Screw, Pan, Phl, M6 X 1.0 X 16, Blk	4
▲	13 1067885	(006501-) Latch, Cab	1
▲	14 1069313	(006501-) Screw, Pan, Phl, M6 X 1.0 X 35, Blk	3
▲	15 1066980	(006501-) Cover, Latch	1
▲	16 1069322	(006501-) Washer, Flat, 0.25, Sae, Blk	2
▲▽	17 1067890	(006501-) Handle, Locking, Cab	1
▲▲	1067919	(006501-) Key, Latch, Door Assy	1
▲	18 1062944	(006501-) Rod, Handle, Cab	1
▲	19 1067907	(006501-) Retainer, Shaft, 0.12id .38od X .052	1
▲	20 1066957	(006501-) Bracket, Handle, Latch	1
▲	21 74027	(006501-) Screw, Pan, Phl, M6 X 1.00 X 12, NI, PI	2
▲	22 1062952	(006501-) Rod, Latch, Cab	1
▲	23 1067880	(006501-) Clip, Rod, Cab	2
▲	24 1067884	(006501-) Stud, Strike, Cab	1
▲	25 32492	(006501-) Washer, Flat, 0.38, Std	1
▲	26 25014	(006501-) Nut, Hex, Std, .38- 16	1

Fig. 9 - Cab Heater Group

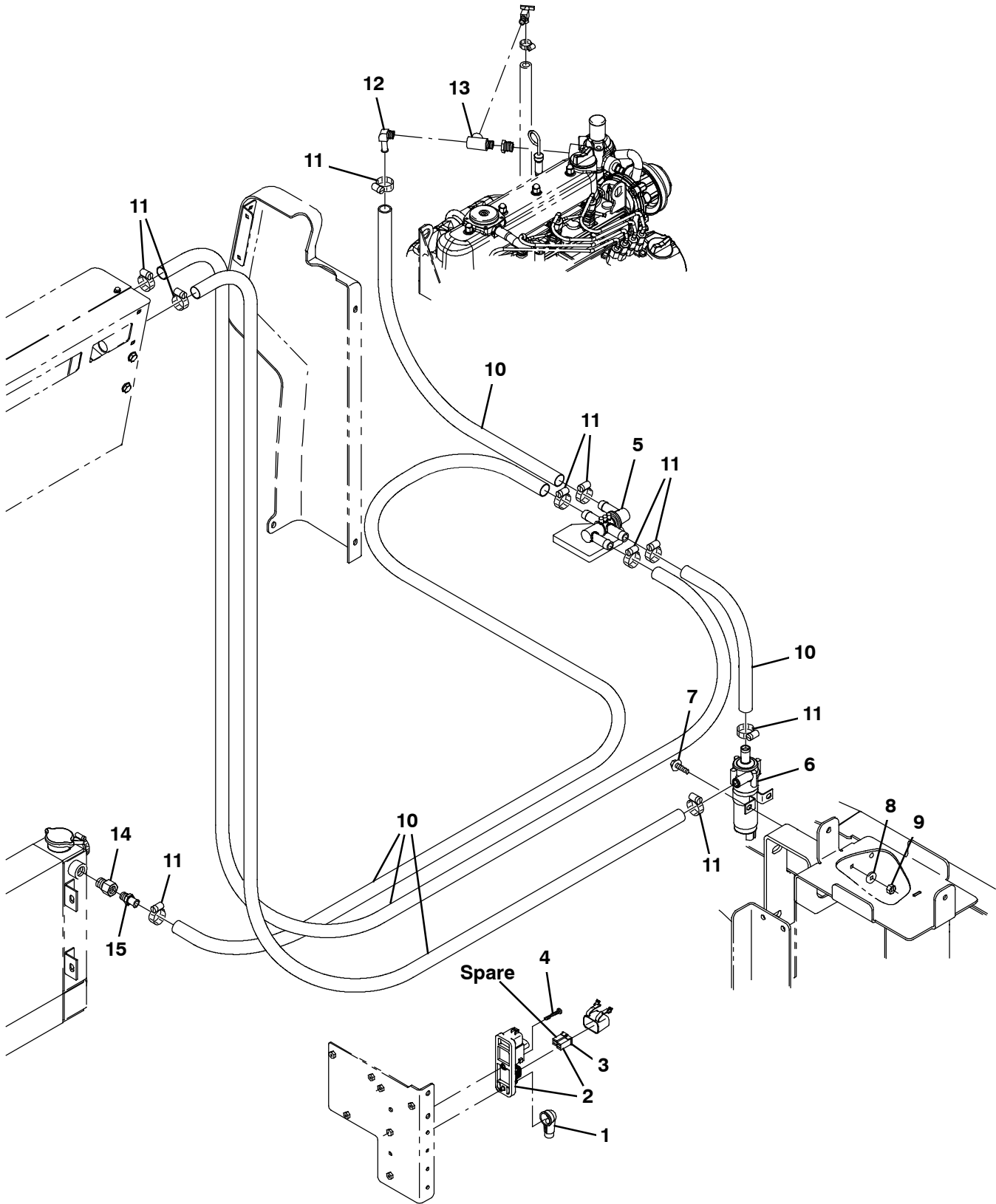


Fig. 9 - Cab Heater Group

Ref.	Part No.	Serial Number	Description	Qty.	
1	1016314	(006501-) Boot, 90deg .50id 1.00id 2.50l, Red	1	
▽	2	1029105	(006501-) Relay Assy, 12vdc [2f/1r]	1
▲	3	1036230	(006501-) Fuse, 60a, 32vdc [Fem Maxi]	1
4	06940	(006501-) Screw, Pan, Phl, M5 X 0.80 X 50, 4.8	1	
5	1045063	(006501-) Valve, Heater	1	
6	1044279	(006501-) Pump Assy, Water, 12vdc	1	
7	222159	(006501-) Screw, Hex, M6 X 1.00 X 25, Fmg	2	
8	32490	(006501-) Washer, Flat, 0.25, Std	2	
9	08708	(006501-) Nut, Hex, Lock, M6 X 1.00, NI	2	
10	1016563	(006501-) Hose, Afmkt, Rbr, Heater, 0.62id, 20ft	1	
11	63810	(006501-) Clamp, Hose, Wormdrive, 0.56- 1.06d, .56w	10	
12	1045888	(006501-) Fitting, Brs, E90, Bm10/Pm04	1	
13	150709	(006501-) Fitting, Brs, Tee, Pf04/Pf04/Pm04, Run	1	
14	47167	(006501-) Fitting, Brs, Str, Pf06/Pm08	1	
15	27767	(006501-) Fitting, Brs, Str, Em10/Pm06	1	

Fig. 10 - Cab Air Conditioner Group

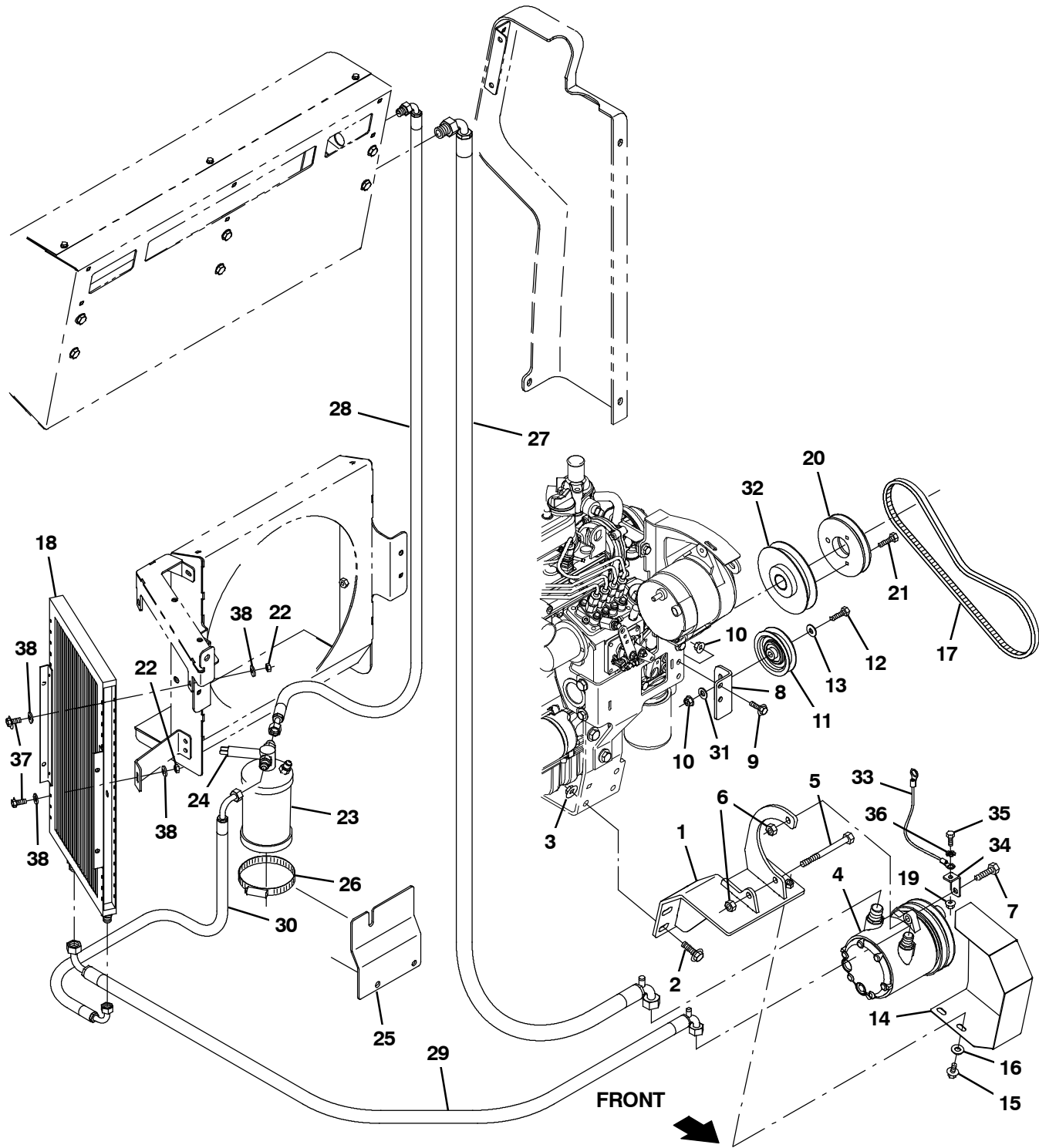


Fig. 10 - Cab Air Conditioner Group

Ref.	Part No.	Serial Number	Description	Qty.
1	1071141	(006501-) Bracket Wldt, Mtg, Compressor	1
2	39283	(006501-) Screw, Hex, M10 X 1.50 X 25, 8.8	4
3	32492	(006501-) Washer, Flat, 0.38, Std	3
4	41141	(006501-) Washer, Lock, Int- Ext, 0.31	1
5	1045009	(006501-) Compressor, A/C, 6v Pully [134, Tm- 08hd]	1
6	1030782	(006501-) Pulley, Idler, Tens, Belt	1
7	27990	(006501-) Screw, Hex, .38- 16 X 2.00, G5	1
8	32485	(006501-) Washer, Flat, 0.38, Sae	2
9	50902	(006501-) Nut, Hex, Lock, .38- 16, NI	1
10	1071681	(006501-) Belt, Ribbed, Alternator, A/C, 51.125l	1
11	1041870	(006501-) Condenser, Ac	1
12	31525	(006501-) Wire, 10ga 16.0l Blk .25ring /.38ring	1
13	1045033	(006501-) Dryer, A/C	1
14	1045203	(006501-) Switch, A/C [Binary]	1
15	1045681	(006501-) Bracket, Sppt	1
16	43555	(006501-) Clamp, Hose, Wormdrive, 2.50- 3.50d, .50w	1
17	1071864	(006501-) Hose, A/C, 06, Str/E90, 052.0l [R134]	1
18	1071865	(006501-) Hose, A/C, 10, E90/E90, 060.0l [R134]	1
19	1071883	(006501-) Hose, A/C, 08, E90/E90, 052.0l [R134]	1
20	1045156	(006501-) Hose, A/C, 06, E90/E90, 043.0l [R134]	1
21	39284	(006501-) Screw, Hex, M10 X 1.25 X 35, 8.8	4
22	41430	(006501-) Nut, Hex, Lock, M10 X 1.5, NI	4
23	41187	(006501-) Washer, Flat, Belleville, .38	4
24	1047225	(006501-) Angle, Mtg, Ground	1
25	87308	(006501-) Screw, Hex, M6 X 1.00 X 12, 8.8	1
26	41140	(006501-) Washer, Lock, Int- ext, 0.25	1
27	07790	(006501-) Nut, Hex, Fing, M6 X 1.00	1
28	55845	(006501-) Screw, Hex, M5 X 0.80 X 16, Fmg	4
29	19066	(006501-) Washer, Flat, 10	8
30	1072054	(006501-) Skirt, A/C	1
31	08708	(006501-) Nut, Hex, Lock, M6 X 1.00, NI	4

Fig. 11 - Cab Fuel Cover Group

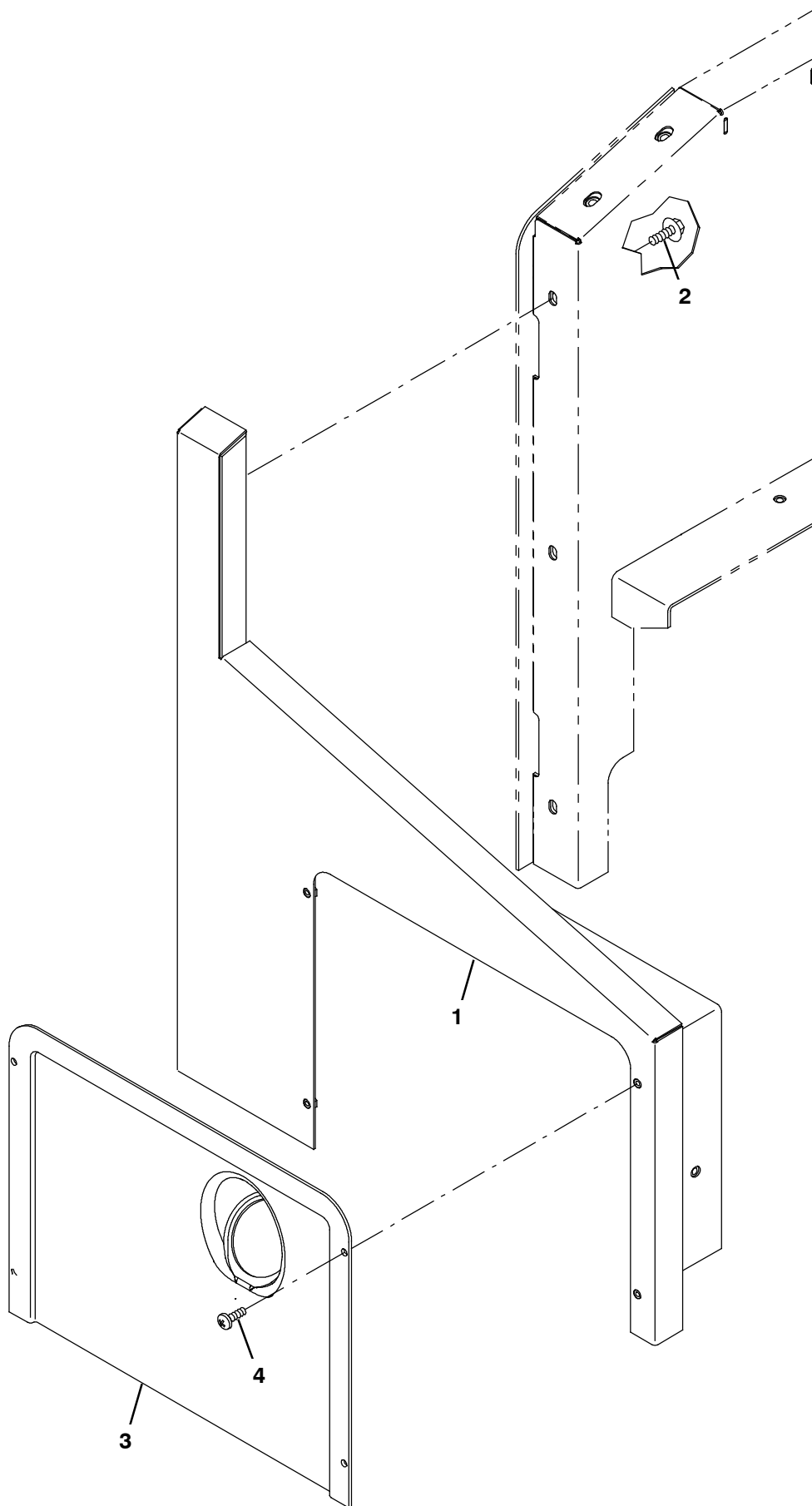
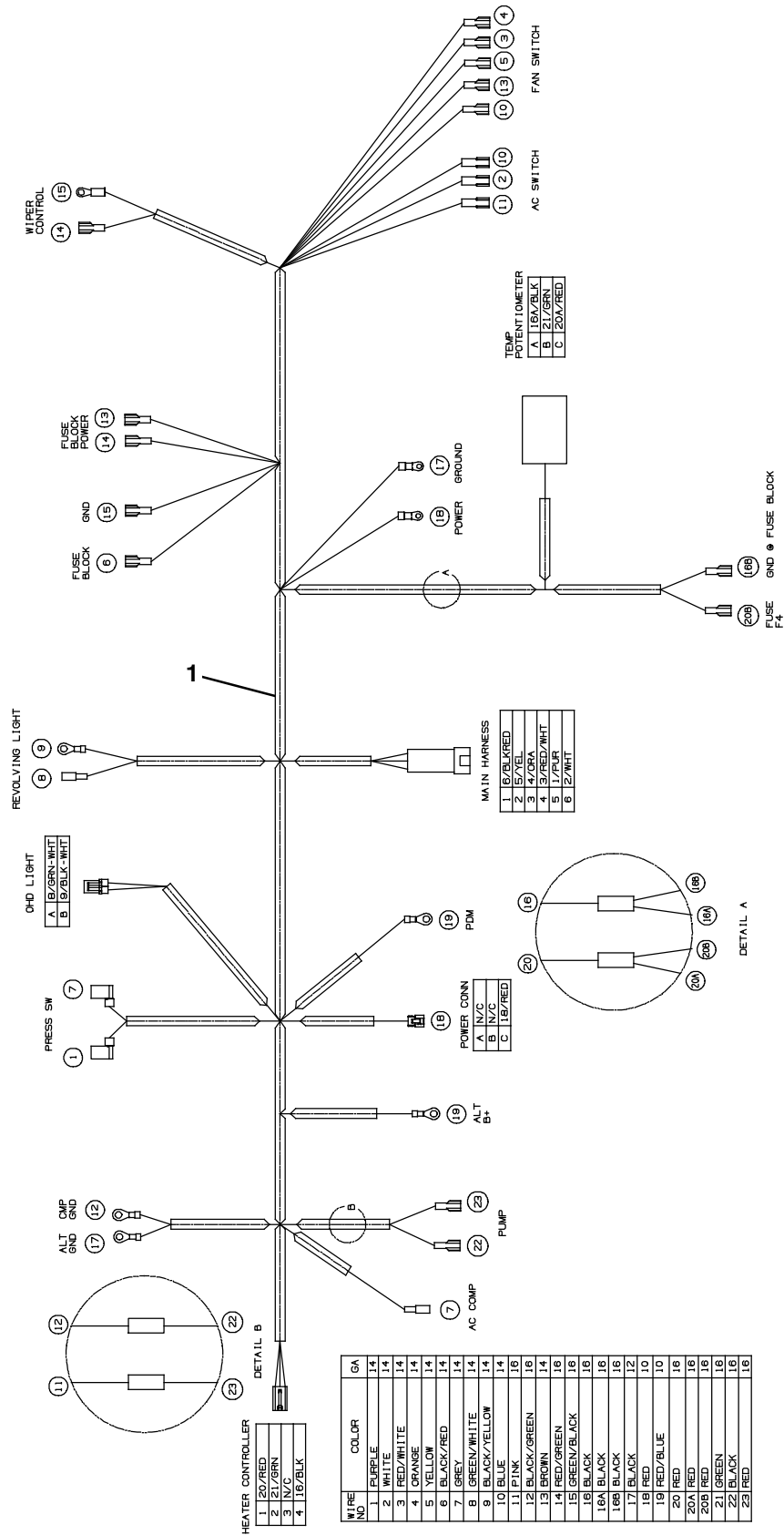


Fig. 11 - Cab Fuel Cover Group

Ref.	Part No.	Serial Number	Description	Qty.
1	1036608	(006501-) Panel Wldt, Side	1
2	1037346	(006501-) Screw, Hex, M8 X 1.25 X 25, 9.8, Sems	3
3	9004526	(006501-) Cover, Dsl, W/ Label, Replmt	1
4	1045525	(006501-) Screw, Pan, Phl, M6 X 1.00 X 12, Blk	4

Fig. 12 - Cab Wire Harness Group



354761

Ref.	Part No.	Serial Number	Description	Qty.
1	1067912	(006501-)	Harness, Wire, Cab	1

Fig. 13 - Cab Wire Harness Electrical Schematic

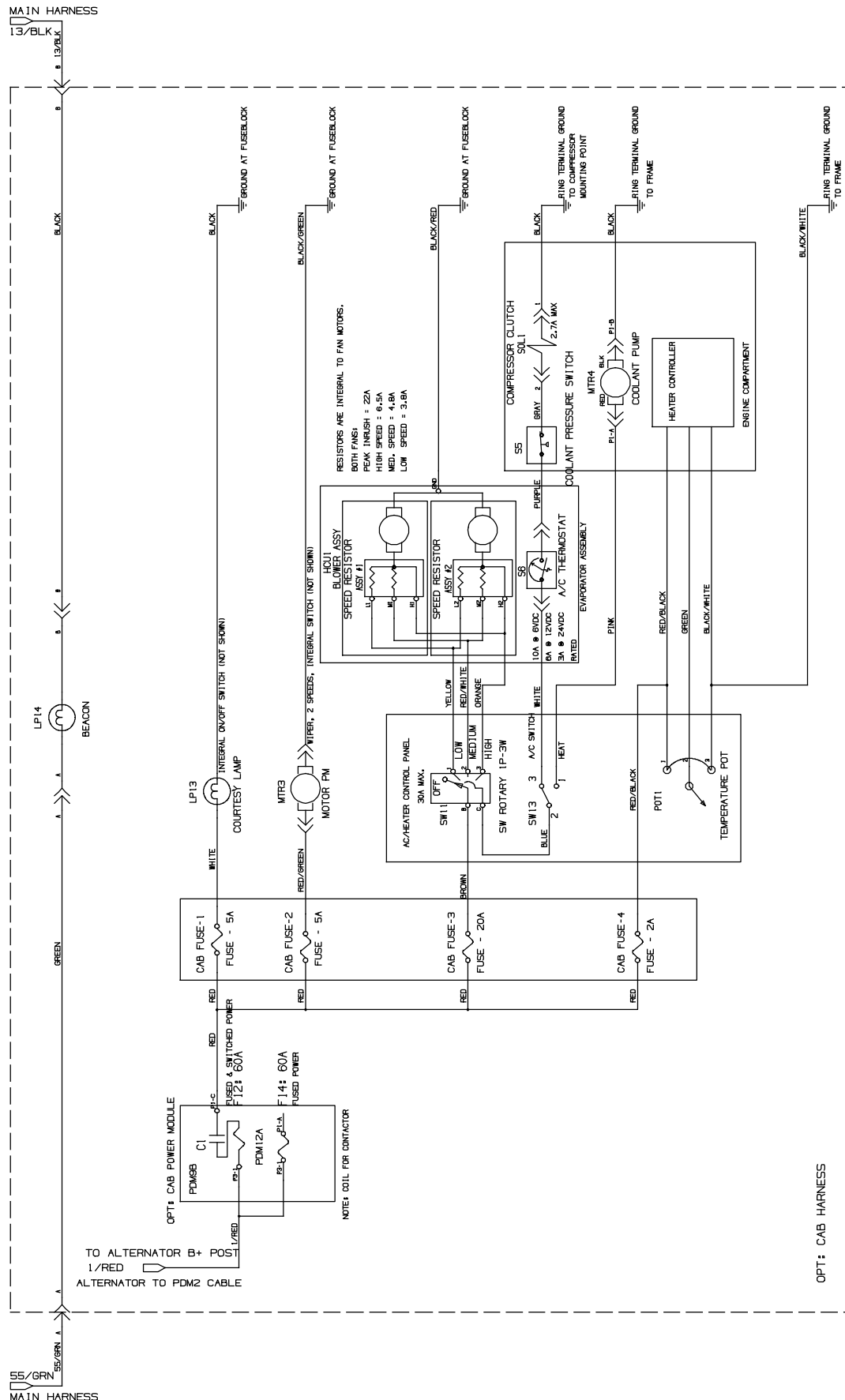
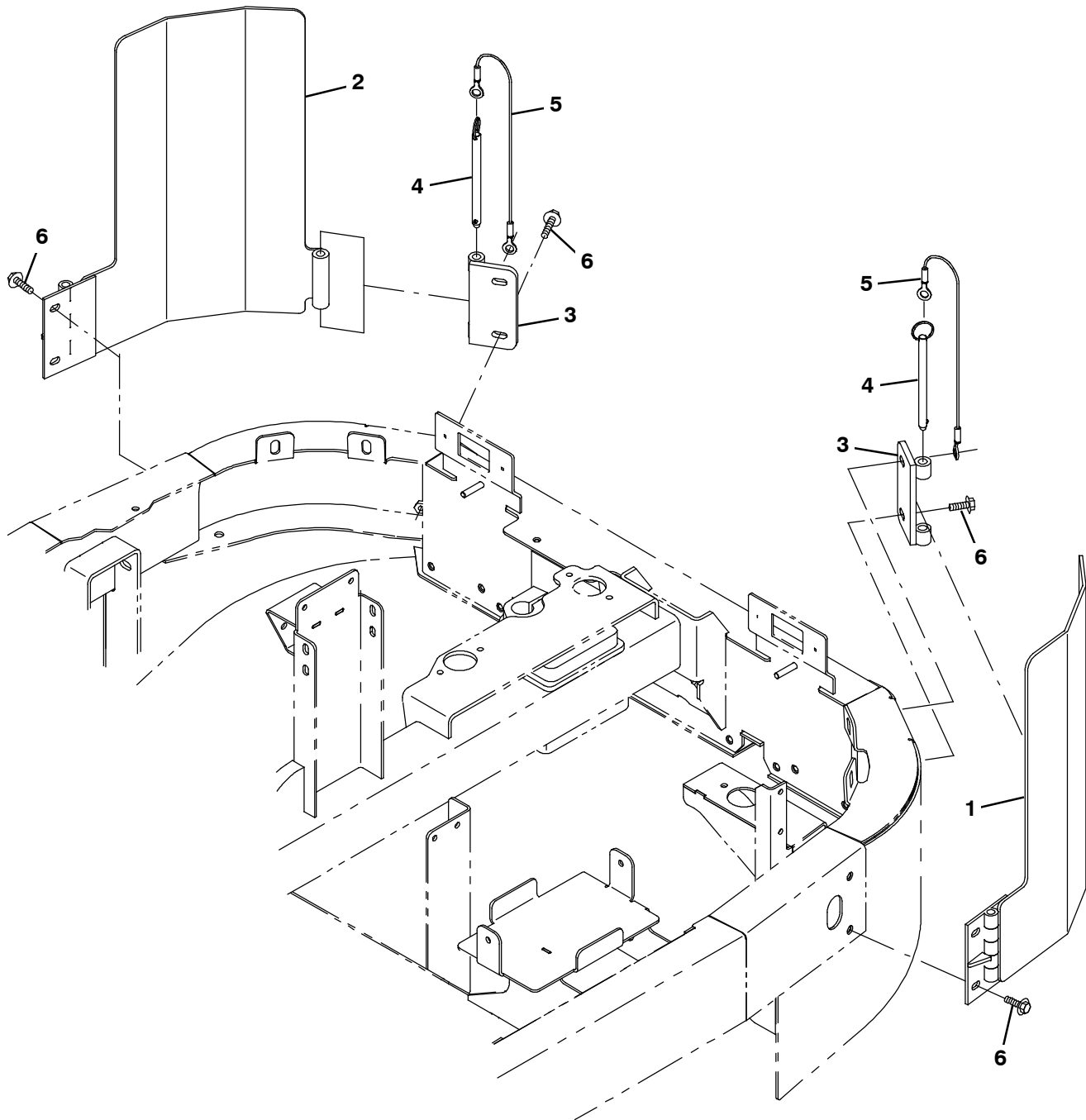


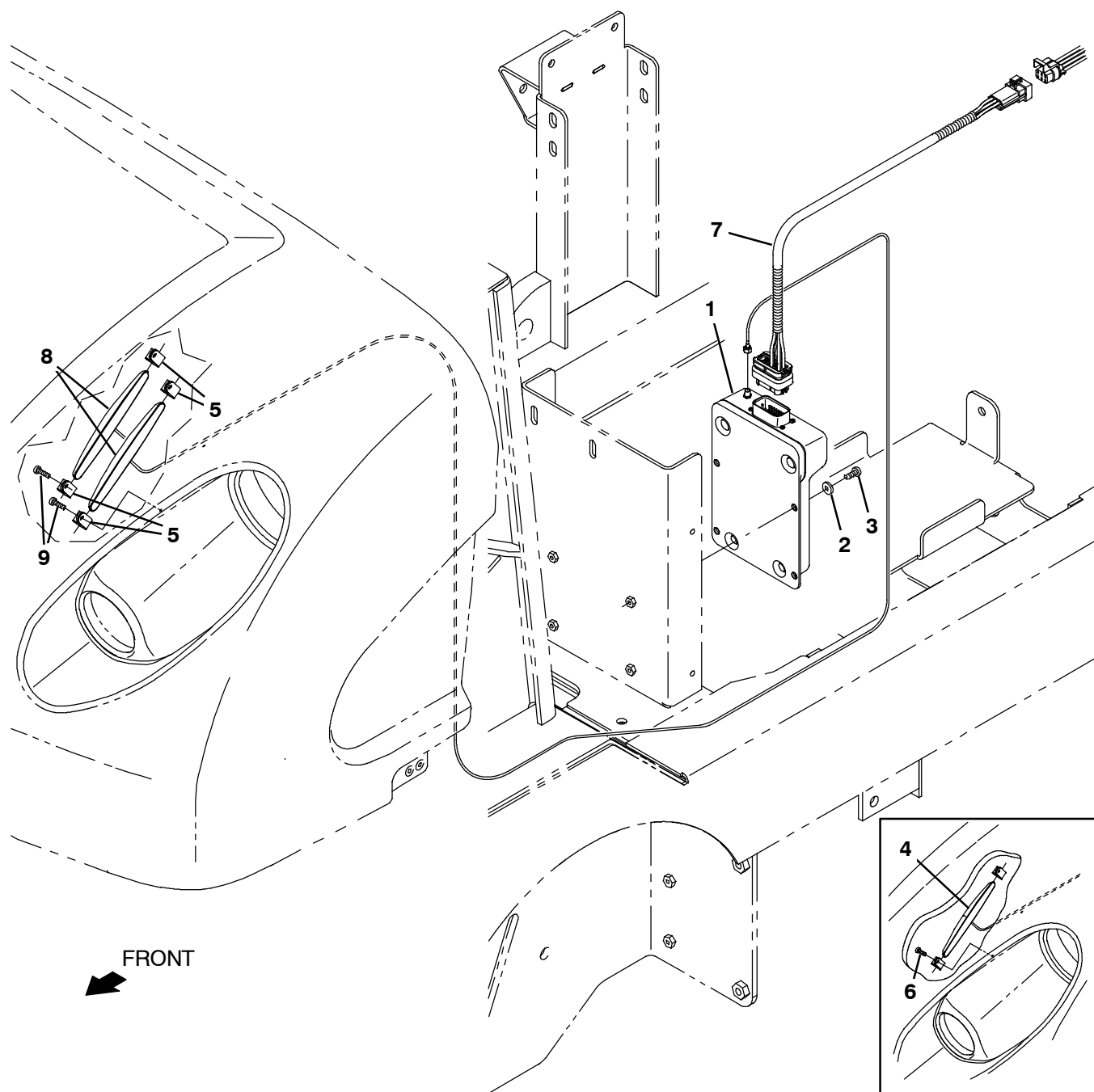
Fig. 14 - Corner Bumper Kit



354746

Ref.	Part No.	Serial Number	Description	Qty.
▽	9008195	(006501-) Bumper Kit, Corner, Ci, [S30]	1
▲	1 1060546	(006501-) Angle Wldt, Bmpr, Tower, Lh	1
▲	2 1061162	(006501-) Angle Wldt, Bmpr, Tower, Rh	1
▲	3 1061629	(006501-) Bracket Wldt, Mtg, Bmpr	2
▲	4 1043176	(006501-) Pin, Hitch, .500d X 6.00l, PI	2
▲	5 87172	(006501-) Cable, Glv .13d 010.0l .52eye /.52eye	2
▲	6 1037358	(006501-) Screw, Hex, M10 X 1.5 X 35, 9.8, Sems	8

Fig. 15 - Telemetry Group



356548

Ref.	Part No.	Serial Number	Description	Qty.
1	9010085	(006501-)	Control Box Assy Kit, Replmt, Telem[Usa]	1
1	9010086	(006501-)	Control Box Assy Kit, Replmt, Telem[Intl]	1
2	19066	(006501-)	Washer, Flat, 0.25b 0.56d .05, Pl, 10	4
3	06933	(006501-)	Screw, Pan, Phl, M5 X 0.80 X 16, 4.8	4
4	1070324	(006501-010214)	Antenna, Telem, 110 In [Gprs]	1
5	140916	(006501-)	Clamp, Cable, Nyl, 0.62d, Nat	4
6	360973	(006501-010214)	Screw, Pan, 12- 16 X 0.50, F/ Plstc	2
7	1071132	(006501-)	Harness, Ele [Extn, Telemetry]	1
8	1247568	(010215-)	Antenna, Telem, [4G, 108"]	2
9	382320	(010215-)	Screw, Pan, Phl, 12- 16 X 0.50, F/ Plstc	4
	1069580	(006501-)	Label, Opertnl, Telem [Fcc/lc]	1

Fig. 16 - Side and Rear Skirt Kit

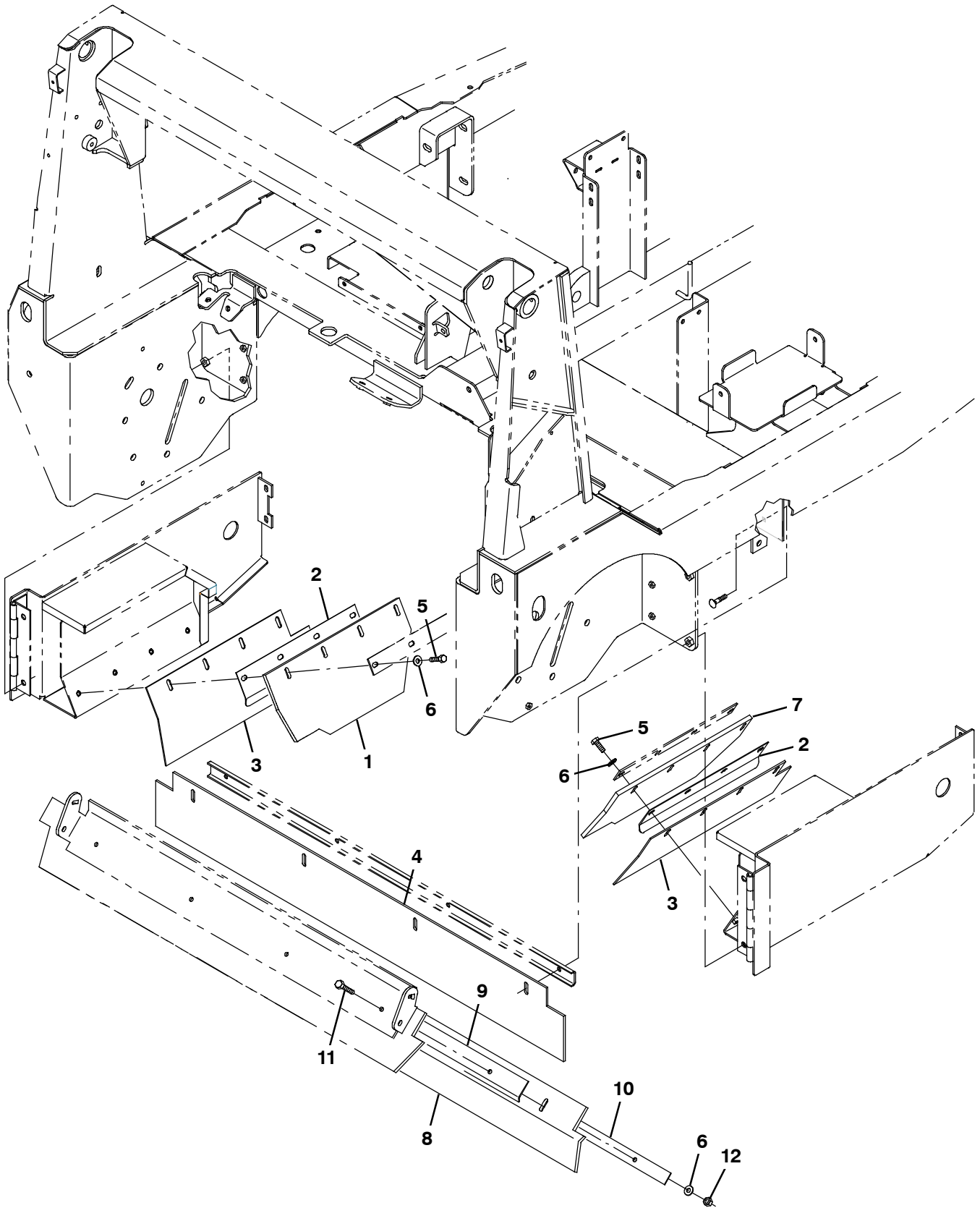


Fig. 16 - Side and Rear Skirt Kit

	Ref.	Part No.	Serial Number	Description	Qty.
▽		9013137	(006501-) Skirt Kit, Side/ Rear [S30]	1
▲	1	1212911	(006501-) Skirt Assy, Door, Brush, Rh	1
▲	2	1045352	(006501-) Bracket, Skirt	2
▲	3	1212134	(006501-) Skirt, Door, Brush	2
▲	4	1045348	(006501-) Skirt, Neo, .18, 06.74w 50.00l, 04/ SI	1
▲	5	76570	(006501-) Screw, Hex, M8 X 1.25 X 30, 8.8	8
▲	6	32491	(006501-) Washer, Flat, 0.31, Std	12
▲	7	1212910	(006501-) Skirt Assy, Door, Brush, Lh	1
▲	8	1212912	(006501-) Skirt, Neo, .18, 6.42w X 48.73l, 04/SI	1
▲	9	1212908	(006501-) Retainer, Blade, Deflector	1
▲	10	1212959	(006501-) Retainer, Blade, Deflector	1
▲	11	41342	(006501-) Screw, Hex, M8 X 1.25 X 40, 8.8	4
▲	12	08709	(006501-) Nut, Hex, Lock, M8 X 1.25, NI	4

Fig. 17 - Wet Side Brush Dust Control Water Tank Group

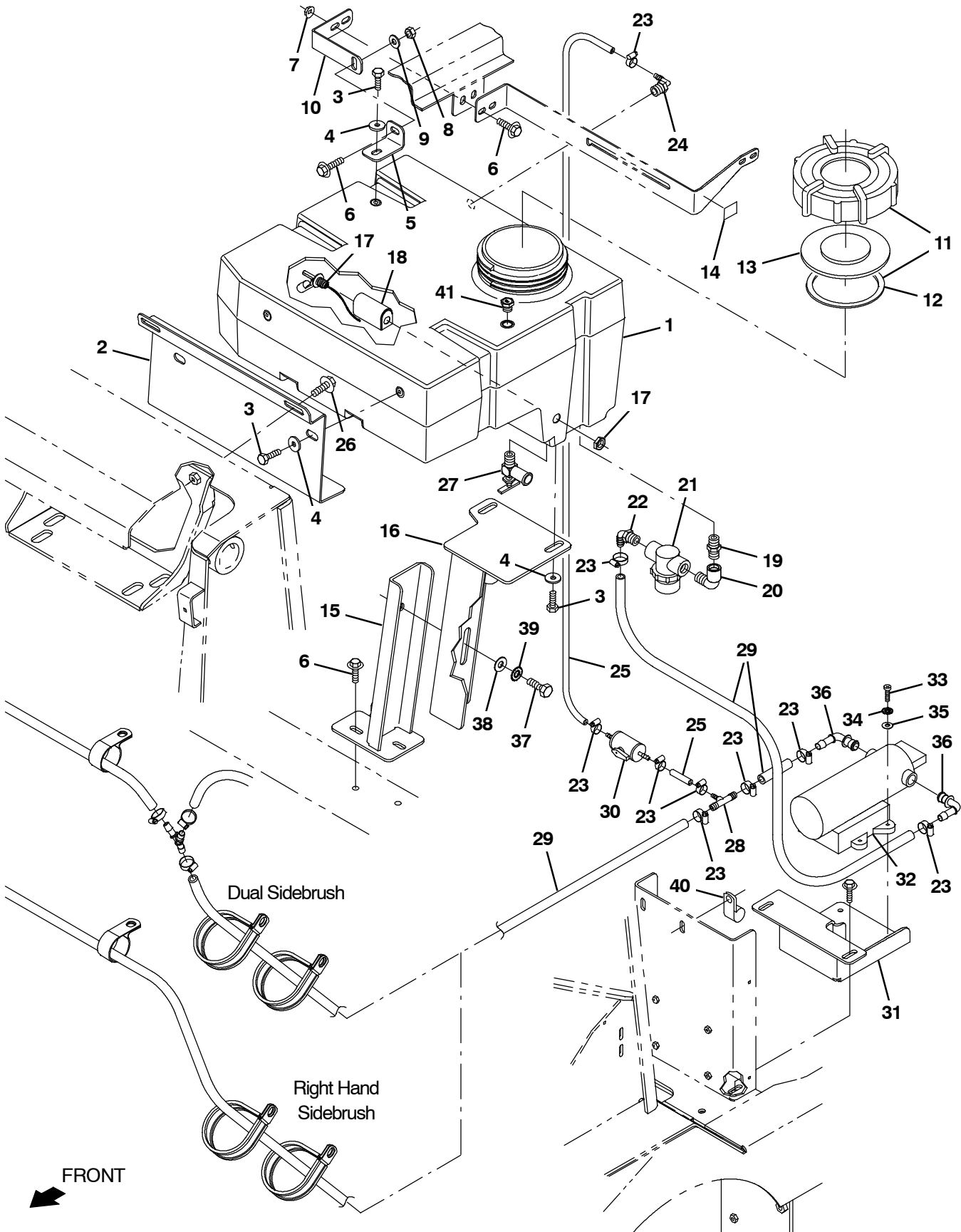


Fig. 17 - Wet Side Brush Dust Control Water Tank Group

NOTE: The Watershield Kit, Rh, Sbdc, Ci[S30] (S/N 008141-), TENNANT Part Number 9016145 includes Fig. 17, Fig. 18, Fig. 20, and Fig. 21.

NOTE: The Watershield Kit, Dual, Sbdc, Ci[S30] (S/N 008141-), TENNANT Part Number 9016146 includes Fig. 17, Fig. 19, Fig. 20, and Fig. 21.

NOTE: The Watershield Kit, Rh, Sbdc, Ci[S30Rwk] (S/N 006501-008140), TENNANT Part Number 9016090 includes Fig. 17, Fig. 18, Fig. 20, Fig. 21, and Fig. 22.

NOTE: The Watershield Kit, Dual, Sbdc, Ci[S30Rwk] (S/N 006501-008140), TENNANT Part Number 9016091 includes Fig. 17, Fig. 19, Fig. 20, Fig. 21, and Fig. 22.

Ref.	Part No.	Serial Number	Description	Qty.	
1	9016474	(006501-)	Tank, Kit, Water, Afmkt [S30]	1	
2	1232002	(006501-)	Bracket, Sppt, Rear, Tank [S30]	1	
3	09740	(006501-)	Screw, Hex, M8 X 1.25 X 20, Ss	5	
4	1017218	(006501-)	Washer, Flat, 0.32b 1.00d .12, Ss	5	
5	1232001	(006501-)	Bracket, Angle, Tank Sppt, Top [S30]	1	
6	1037354	(006501-)	Screw, Hex, M8 X 1.25 X 30, 9.8, Sems	5	
7	07791	(006501-)	Nut, Hex, Flng, M8 X 1.25	2	
8	08709	(006501-)	Nut, Hex, Lock, M8 X 1.25, NI	3	
9	32491	(006501-)	Washer, Flat, 0.31, Std	1	
10	1232000	(006501-)	Bracket, Angle, Tank Brace	1	
▽	11	24358	(006501-)	Cap Assy, Tank, Drain	1
▲	12	1031699	(006501-)	Gasket, .19, 4.05id 5.29od [Buna]	1
	13	86636	(006501-)	Plug, Cap, Nat	1
	14	1232023	(006501-)	Label, Info, Water Only	1
	15	1231991	(006501-)	Brace Wldt, Sppt, Water Tank	1
	16	1231994	(006501-)	Bracket Wldt, Sppt, Top, Tank	1
	17	385685	(006501-)	Sensor, Level, Liq, 14vdc 01a .62- 11	1
	18	1019285	(006501-)	Bracket, Protector, Float Switch	1
	19	1232027	(006501-)	Fitting, Plstc, Str, Pm06/Pm06	1
	20	1005318	(006501-)	Fitting, Plstc, E90, Pf06/Pm06, Nyl	1
▽	21	1076437	(006501-)	Filter, In- Line, Pf06/Pf06 60 Micron	1
▲		1005304	(006501-)	Screen, Fltr, 60 Micron, Caged Ss	1
	22	150412	(006501-)	Fitting, Plstc, E90, Bm06/Pm06	1
	23	43844	(006501-)	Clamp, Hose, Wormdrive, 0.25- 0.62d, .31w	9
	24	150417	(006501-)	Fitting, Plstc, E90, Bm04/Pm06	1
	25	1014985	(006501-)	Hose, Afmkt, Pvc, Clr, 0.25id, 08ft	1
	26	1036892	(006501-)	Screw, Hex, M6 X 1.00 X 25, 9.8, Sems	2
	27	764183	(006501-)	Fitting, Draincock, E90 Pm06	1
	28	61456	(006501-)	Fitting, Plstc, Tee, Bm03/Bm06/Bm06, Br	1
	29	1014977	(006501-)	Hose, Afmkt, Pvc, Brd, 0.38id, 12ft, Clr	1
	30	1232030	(006501-)	Valve, Shutoff, Bm04/Bm04, Pvc	1
	31	1232051	(006501-)	Bracket Wldt, Sppt, Pump Mtg	1
	32	1036801	(006501-)	Pump, Soltn, 13.7vdc, 65psi [Fast li+]	1
	33	140293	(006501-)	Screw, Pan, Phl, M5 X 0.80 X 30, Ss	1
	34	07514	(006501-)	Washer, Lock, Int, 10, Ss	4
	35	01683	(006501-)	Washer, Flat, 10, Ss	4
	36	1049259	(006501-)	Fitting, Nyl, Qdc, E90, Bm06/ Qm10	2
	37	39283	(006501-)	Screw, Hex, M10 X 1.50 X 25, 8.8	1
	38	32492	(006501-)	Washer, Flat, 0.38, Std	1
	39	32988	(006501-)	Washer, Lock, Int, 0.38	1
	40	46236	(006501-)	Clamp, Cable, Stl, 0.25d X 0.56w, 1hole	1
	41	1241776	(006501-)	Fitting, Brs, 3/8npt, Valve, Breather	1

Fig. 18 - Wet Right Hand Side Brush Dust Control Spray Nozzle Group

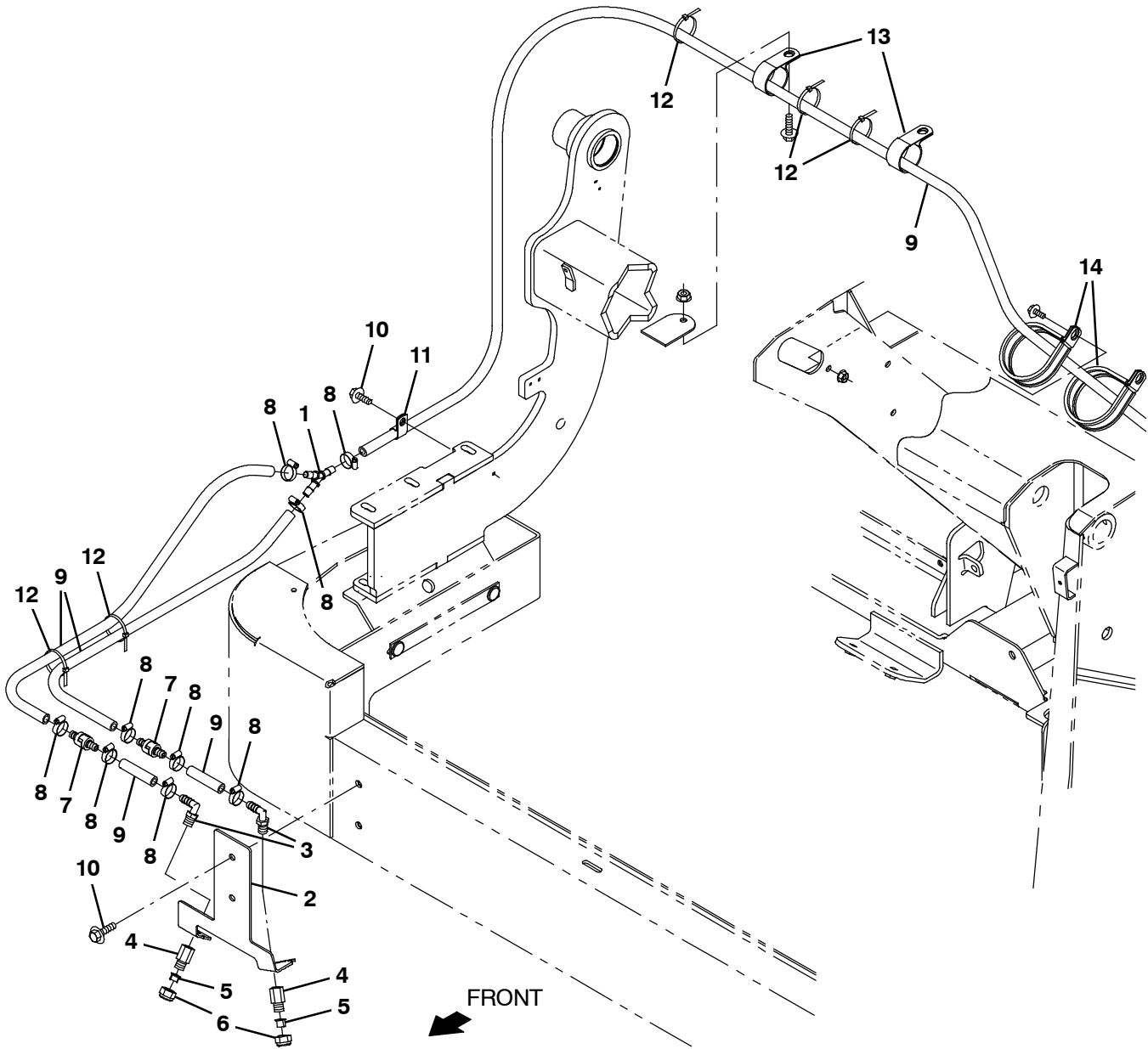


Fig. 18 - Wet Right Hand Side Brush Dust Control Spray Nozzle Group

NOTE: The Watershield Kit, Rh, Sbdc, Cij[S30] (S/N 008141-), TENNANT Part Number 9016145 includes Fig. 17, Fig. 18, Fig. 20, and Fig. 21.

NOTE: The Watershield Kit, Rh, Sbdc, Cij[S30Rwk] (S/N 006501-008140), TENNANT Part Number 9016090 includes Fig. 17, Fig. 18, Fig. 20, Fig. 21, and Fig. 22.

Ref.	Part No.	Serial Number	Description	Qty.
1	1017255	(006501-) Fitting, Plstc, Y, Bm06/Bm06/Bm06, Nyl	1
2	1232003	(006501-) Bracket, Mtg, Dual Nozzle, Rh	1
3	57248	(006501-) Fitting, Plstc, E90, Bm06/Pm04, Nyl	2
4	1232066	(006501-) Fitting, Body, Nozzel, Brs	2
5	1232065	(006501-) Nozzel, Spray, 110 Deg, 0.05 Gpm	2
6	769778	(006501-) Fitting, Brs, Cap [Unijet]	2
7	1015455	(006501-) Valve, Check, 0005psi Bm06/Bm06	2
8	43844	(006501-) Clamp, Hose, Wormdrive, 0.25- 0.62d, .31w	9
9	1014977	(006501-) Hose, Afmkt, Pvc, Brd, 0.38id, 12ft, Clr	1
10	1037346	(006501-) Screw, Hex, M8 X 1.25 X 25, 9.8, Sems	3
11	82829	(006501-) Clamp, Cable, Stl, 0.63d X 0.75w, 1hole	1
12	763114	(006501-) Tie, Cable, 11.3l, 2.75d Max	6
13	41016	(006501-) Clamp, Cable, Stl, 2.25d X 1.00w, 1hole	2
14	1207562	(006501-) Clamp, Cable, Stl, 3.25d X 1.00w, 1hole	2

Fig. 19 - Wet Dual Side Brush Dust Control Spray Nozzle Group

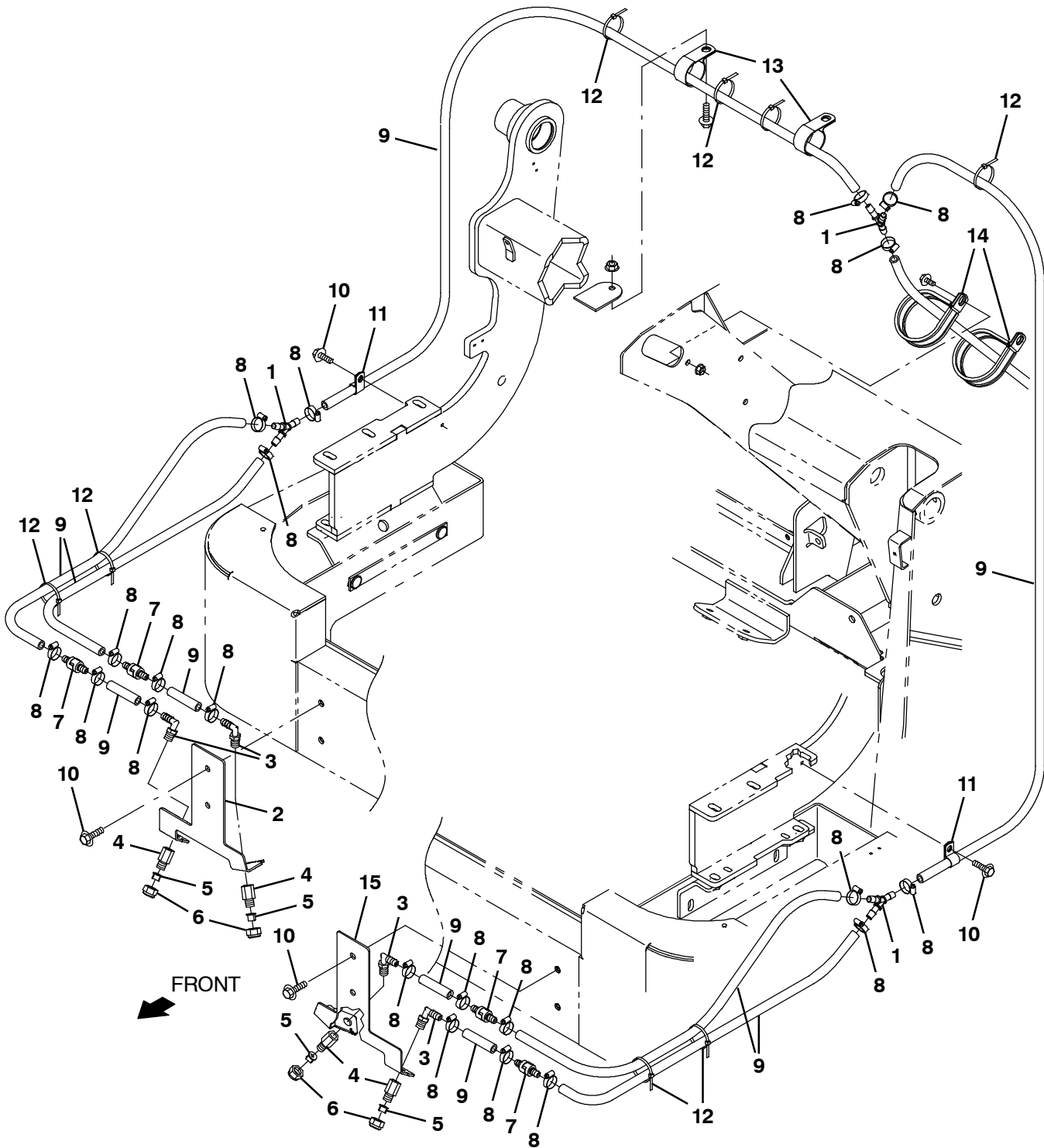


Fig. 19 - Wet Dual Side Brush Dust Control Spray Nozzle Group

NOTE: The Watershield Kit, Dual, Sbdc, Ci[S30] (S/N 008141-), TENNANT Part Number 9016146 includes Fig. 17, Fig. 19, Fig. 20, and Fig. 21.

NOTE: The Watershield Kit, Dual, Sbdc, Ci[S30Rwk] (S/N 006501- 008140), TENNANT Part Number 9016091 includes Fig. 17, Fig. 19, Fig. 20, Fig. 21, and Fig. 22.

Ref.	Part No.	Serial Number	Description	Qty.
1	1017255	(006501-) Fitting, Plstc, Y, Bm06/Bm06/Bm06, Nyl	3
2	1232003	(006501-) Bracket, Mtg, Dual Nozzle, Rh	1
3	57248	(006501-) Fitting, Plstc, E90, Bm06/Pm04, Nyl	4
4	1232066	(006501-) Fitting, Body, Nozzel, Brs	4
5	1232065	(006501-) Nozzel, Spray, 110 Deg, 0.05 Gpm	4
6	769778	(006501-) Fitting, Brs, Cap [Unijet]	4
7	1015455	(006501-) Valve, Check, 0005psi Bm06/Bm06	4
8	43844	(006501-) Clamp, Hose, Wormdrive, 0.25- 0.62d, .31w	21
9	1014977	(006501-) Hose, Afmkt, Pvc, Brd, 0.38id, 12ft, Clr	2
10	1037346	(006501-) Screw, Hex, M8 X 1.25 X 25, 9.8, Sems	3
11	82829	(006501-) Clamp, Cable, Stl, 0.63d X 0.75w, 1hole	2
12	763114	(006501-) Tie, Cable, 11.3l, 2.75d Max	12
13	41016	(006501-) Clamp, Cable, Stl, 2.25d X 1.00w, 1hole	2
14	1207562	(006501-) Clamp, Cable, Stl, 3.25d X 1.00w, 1hole	2
15	1232004	(006501-) Bracket, Mtg, Dual Nozzle, Lh	1

Fig. 20 - Wet Side Brush Dust Control Electrical Group

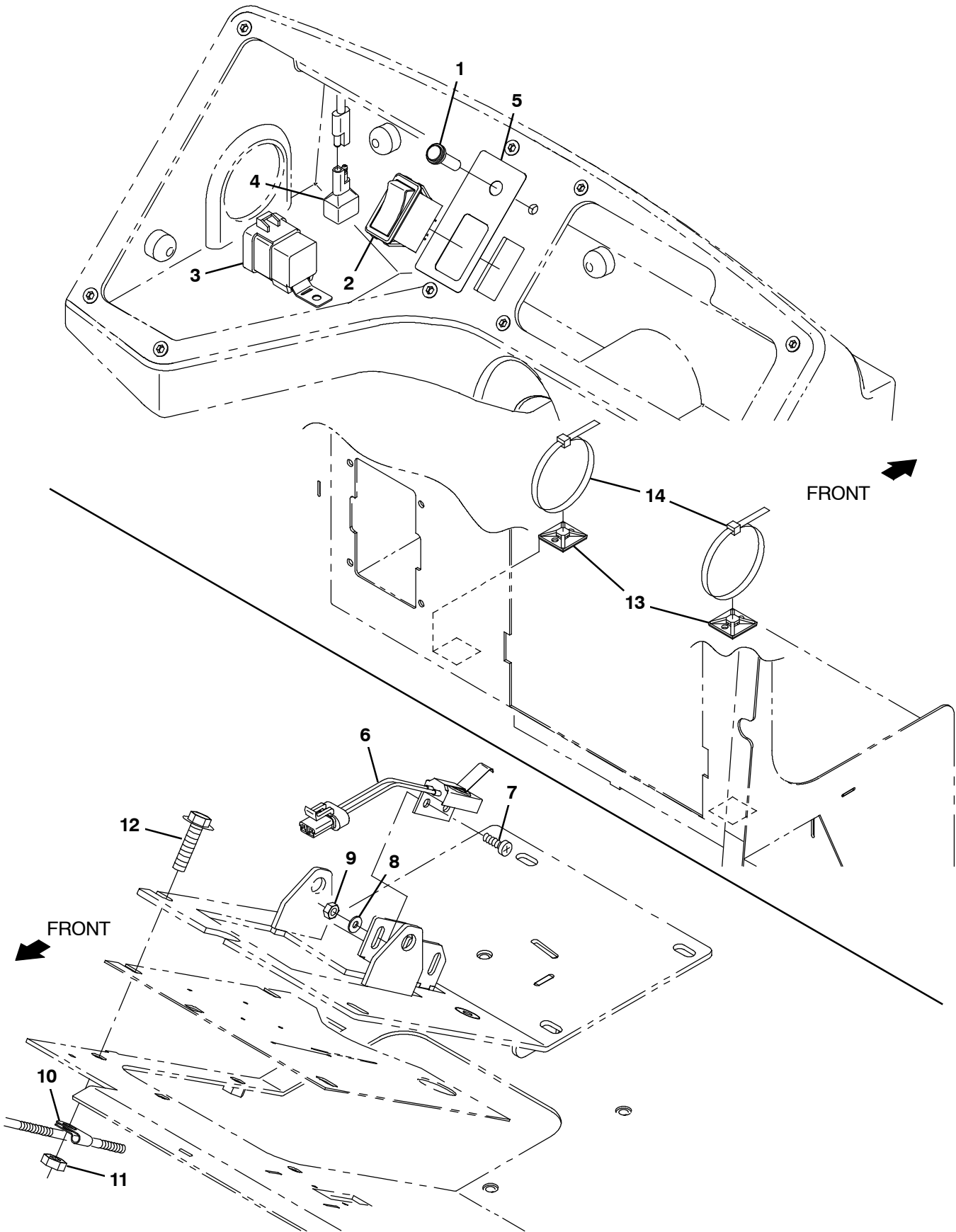


Fig. 20 - Wet Side Brush Dust Control Electrical Group

NOTE: The Watershield Kit, Rh, Sbdc, Ci[S30] (S/N 008141-), TENNANT Part Number 9016145 includes Fig. 17, Fig. 18, Fig. 20, and Fig. 21.

NOTE: The Watershield Kit, Dual, Sbdc, Ci[S30] (S/N 008141-), TENNANT Part Number 9016146 includes Fig. 17, Fig. 19, Fig. 20, and Fig. 21.

NOTE: The Watershield Kit, Rh, Sbdc, Ci[S30Rwk] (S/N 006501-008140), TENNANT Part Number 9016090 includes Fig. 17, Fig. 18, Fig. 20, Fig. 21, and Fig. 22.

NOTE: The Watershield Kit, Dual, Sbdc, Ci[S30Rwk] (S/N 006501-008140), TENNANT Part Number 9016091 includes Fig. 17, Fig. 19, Fig. 20, Fig. 21, and Fig. 22.

Ref.	Part No.	Serial Number	Description	Qty.
1	1232342	(006501-) Light, Led, .312d, 12 Vdc [Tri- Color]	1
2	398528	(006501-) Switch, Rocker, Dpdt, On / Off / Mom	1
3	56186	(006501-) Relay, 12vdc, 040a, Spdt No	1
4	222290	(006501-) Diode, Ele, Plug	1
5	1232091	(006501-) Label, Wet Dust Cntrl [S30]	1
6	1212400	(006501-) Switch, Snap, 15a Nc	1
7	06933	(006501-) Screw, Pan, Phl, M5 X 0.80 X 16, 4.8	2
8	19324	(006501-) Washer, Flat, 10, Sae	2
9	06549	(006501-) Nut, Hex, Lock, M5 X 0.80, NI	2
10	46236	(006501-) Clamp, Cable, Stl, 0.25d X 0.56w, 1hole	1
11	08709	(006501-) Nut, Hex, Lock, M8 X 1.25, NI	1
12	1037355	(006501-) Screw, Hex, M8 X 1.25 X 35, 9.8, Sems	1
13	55248	(006501-) Mount, Cable Tie	4
14	49266	(006501-) Tie, Cable, Nyl, 07.3l .19w 1.8 Max D	4

Fig. 21 - Wet Side Brush Dust Control Wire Harness Group

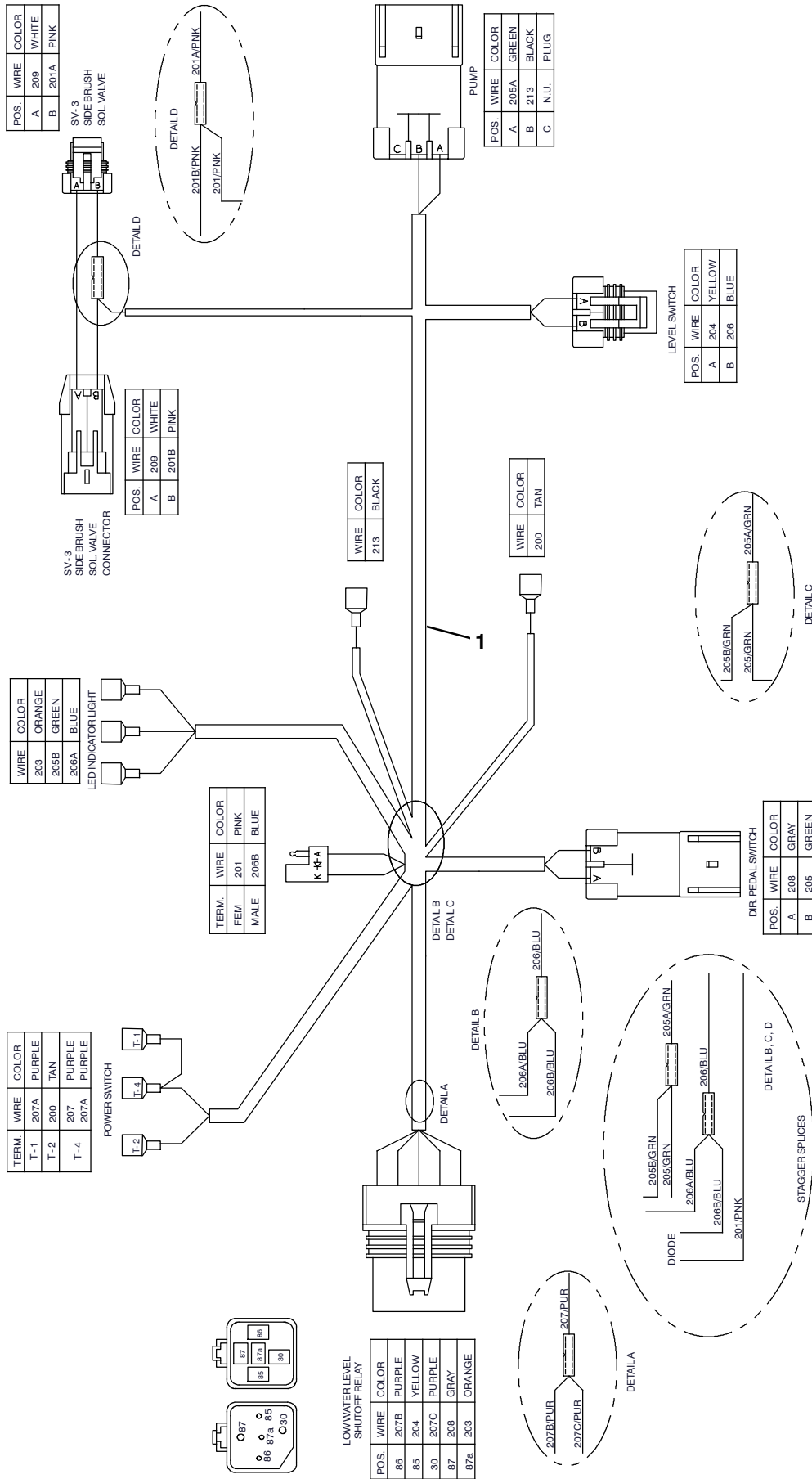


Fig. 21 - Wet Side Brush Dust Control Wire Harness Group

NOTE: The Watershield Kit, Rh, Sbdc, Ci[S30] (S/N 008141-), TENNANT Part Number 9016145 includes Fig. 17, Fig. 18, Fig. 20, and Fig. 21.

NOTE: The Watershield Kit, Dual, Sbdc, Ci[S30] (S/N 008141-), TENNANT Part Number 9016146 includes Fig. 17, Fig. 19, Fig. 20, and Fig. 21.

NOTE: The Watershield Kit, Rh, Sbdc, Ci[S30Rwk] (S/N 006501-008140), TENNANT Part Number 9016090 includes Fig. 17, Fig. 18, Fig. 20, Fig. 21, and Fig. 22.

NOTE: The Watershield Kit, Dual, Sbdc, Ci[S30Rwk] (S/N 006501-008140), TENNANT Part Number 9016091 includes Fig. 17, Fig. 19, Fig. 20, Fig. 21, and Fig. 22.

Ref.	Part No.	Serial Number	Description	Qty.
1	1232183	(006501-) Harness, Cntrl, Wet Dust [S30]	1

Fig. 22 - Wet Side Brush Dust Control Rework Group (S/N 006501-008140)

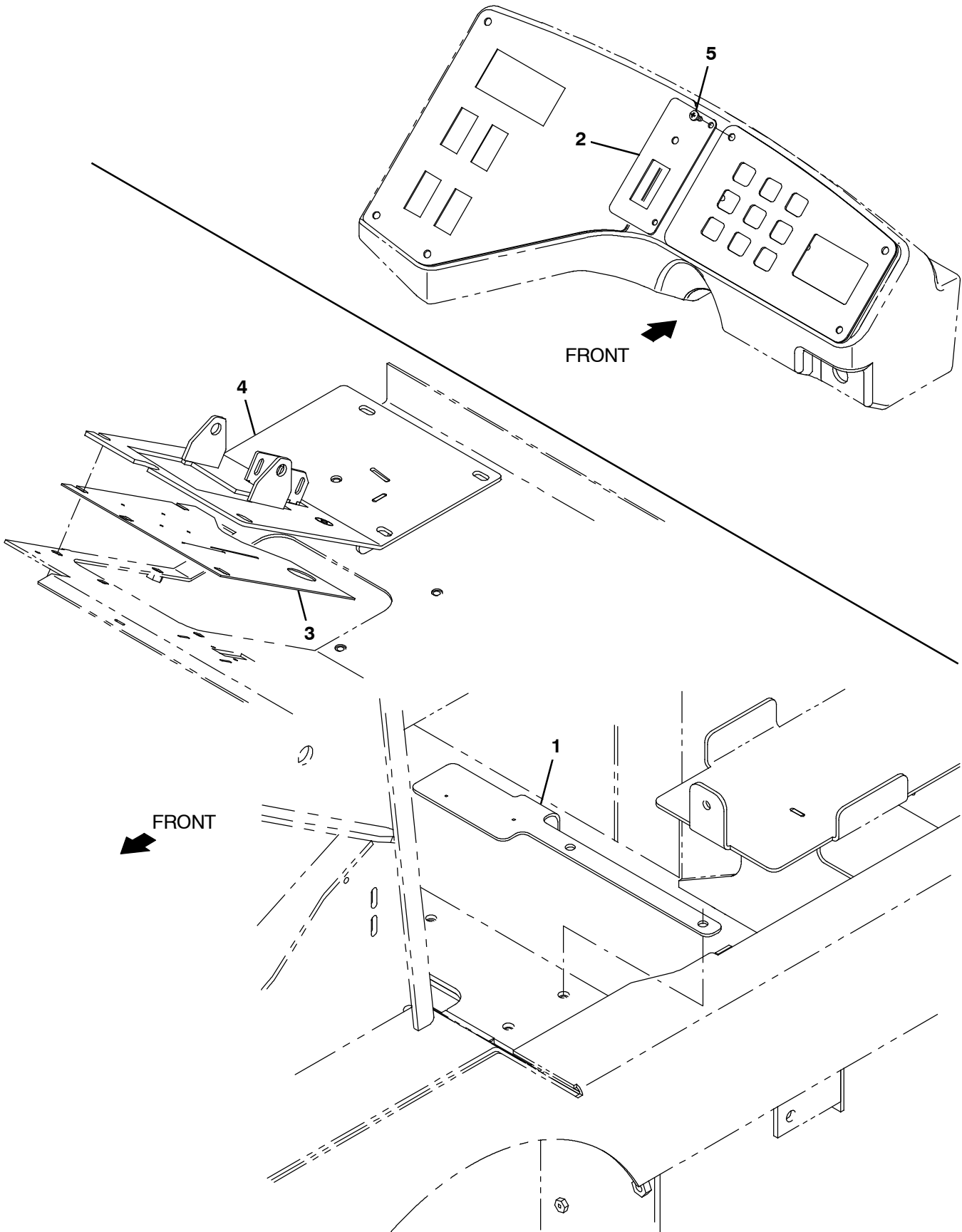


Fig. 22 - Wet Side Brush Dust Control Rework Group (S/N 006501-008140)

NOTE: The Watershield Kit, Rh, Sbdc, Ci[S30Rwk] (S/N 006501-008140), TENNANT Part Number 9016090 includes Fig. 17, Fig. 18, Fig. 20, Fig. 21, and Fig. 22.

NOTE: The Watershield Kit, Dual, Sbdc, Ci[S30Rwk] (S/N 006501-008140), TENNANT Part Number 9016091 includes Fig. 17, Fig. 19, Fig. 20, Fig. 21, and Fig. 22.

Ref.	Part No.	Serial Number	Description	Qty.
1	1232297	(006501-008140)	Drill Template, S30 Water Tank Sppt	1
2	1232549	(006501-008140)	Template, Drill, Cntrl Console[S30]	1
3	1026688	(006501-008140)	Panel Wldt, Access	1
4	1038360	(006501-008140)	Gasket, Rbr, Pedal, Propel	1
5	1045487	(006501-008140)	Screw, Pan, Phl, M5 X 0.80 X 16, Blk	2

Fig. 24 - Wet Side Brush Dust Control Electrical Schematic, S30 XP

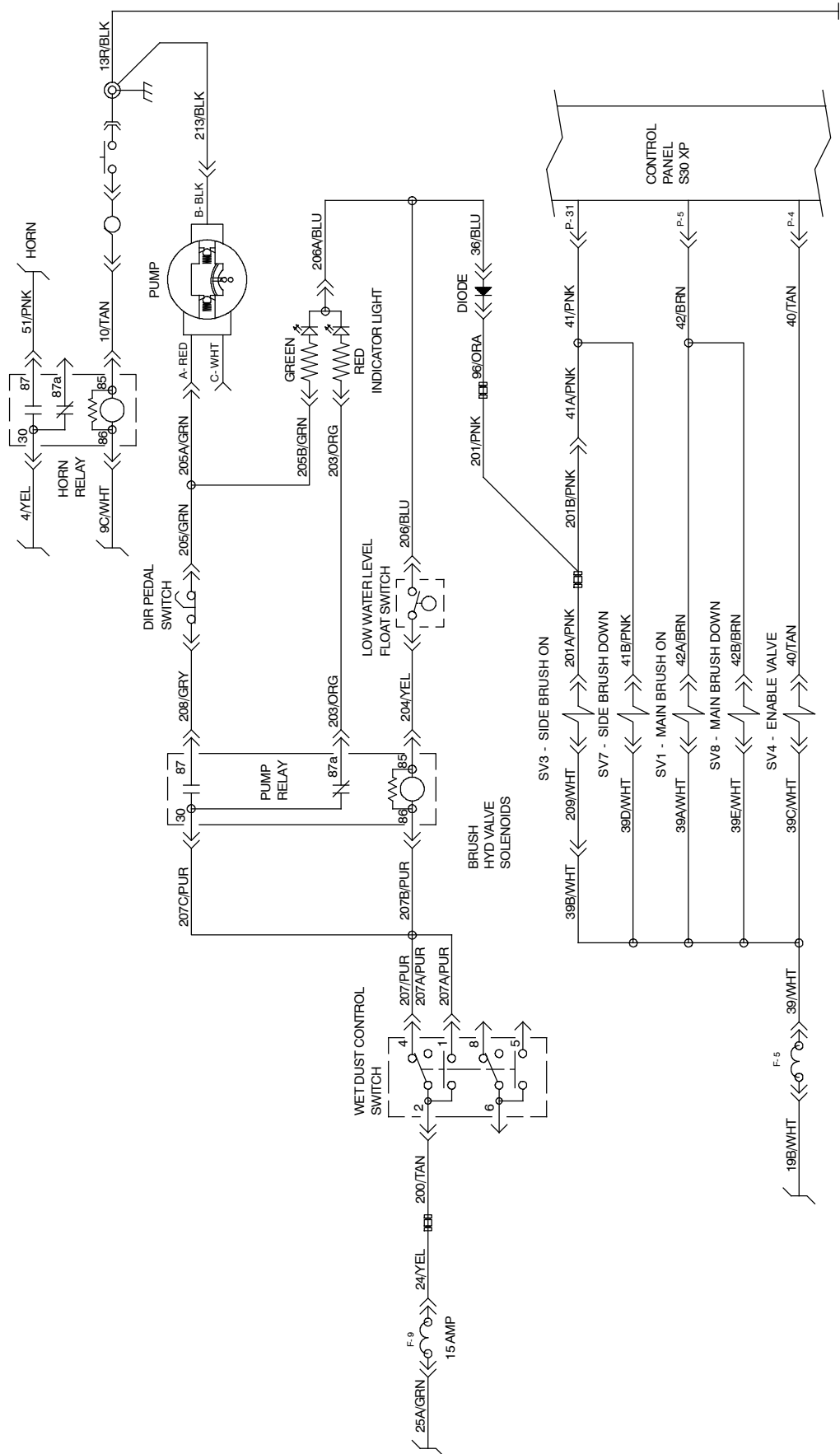


Fig. 25 - Right Hand Side Brush Dust Control Skirt Kit

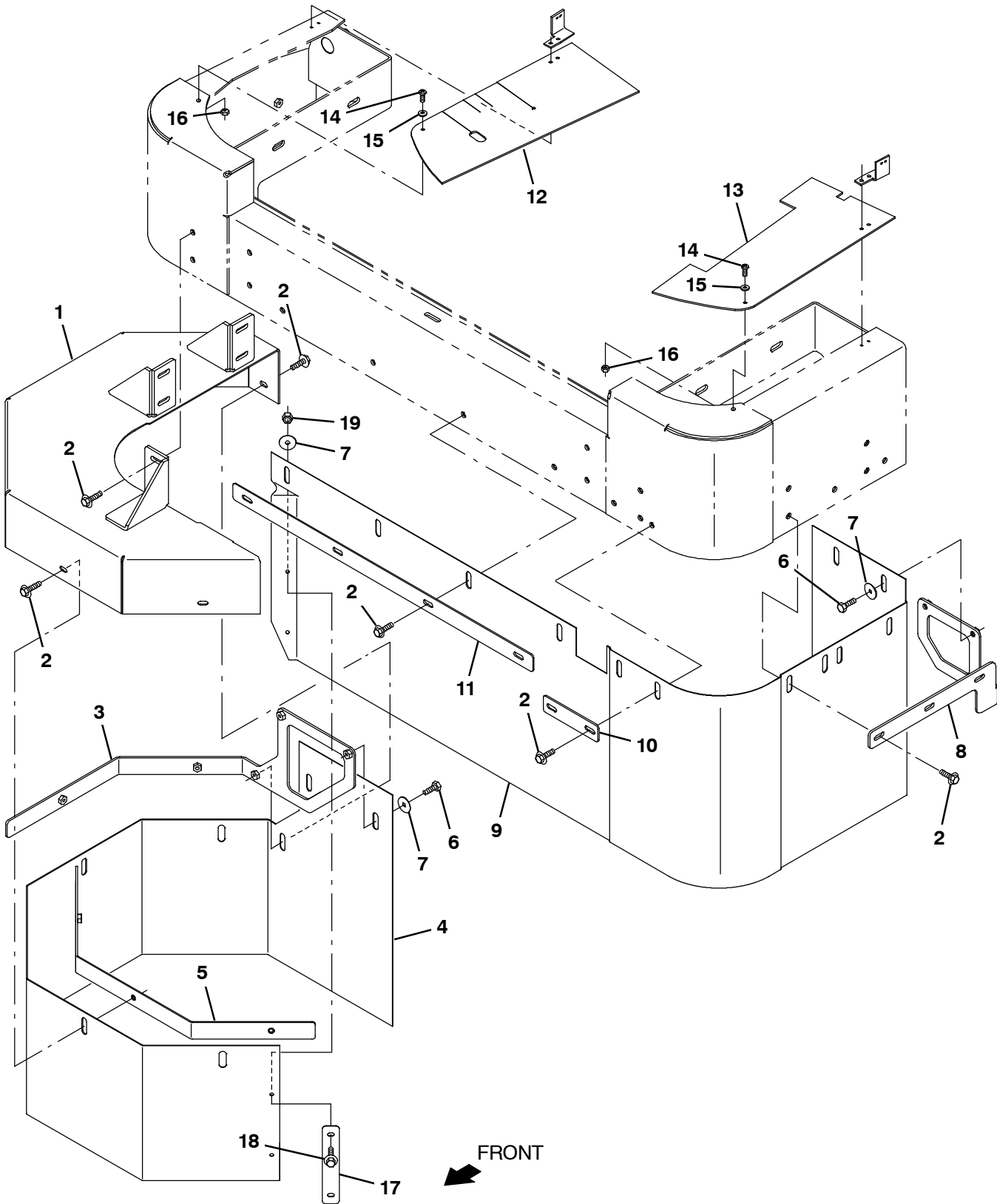


Fig. 25 - Right Hand Side Brush Dust Control Skirt Kit

Ref.	Part No.	Serial Number	Description	Qty.
▽	9017882	(006501-) Dust Cntrl, Dry, Single Rh Sb, Ci [S30]	1
▲	1 1076396	(006501-) Cover Wldt, Rh, Sbdc [S30]	1
▲	2 1037354	(006501-) Screw, Hex, M8 X 1.25 X 30, 9.8, Sems	21
▲	3 1076400	(006501-) Strip, Retainer, Wldt, Skirt, Rh, Sbdc	1
▲	4 1076408	(006501-) Skirt, Side Shroud, Sbdc [S30]	1
▲	5 1076402	(006501-) Strip, Retainer, Wldt, Sbdc [S30]	1
▲	6 16931	(006501-) Screw, Hex, M8 X 1.25 X 20, 8.8	4
▲	7 30013	(006501-) Washer, Flat, 0.31, Fendr	6
▲	8 1076406	(006501-) Strip, Retainer, Wldt, Skirt, Lh, Sbdc	1
▲	9 1076407	(006501-) Skirt, Lh, Single Sbdc [S30]	1
▲	10 1076404	(006501-) Strip, Retainer, Lh, Skirt, Sbdc	1
▲	11 1076403	(006501-) Strip, Retainer, Front, Sbdc	1
▲	12 1076411	(006501-) Seal, Upper, Rh, Sbdc [S30]	1
▲	13 1076412	(006501-) Seal, Upper, Lh, Sbdc [S30]	1
▲	14 09164	(006501-) Screw, Pan, Phl, M6 X 1.00 X 20, 4.8	2
▲	15 32483	(006501-) Washer, Flat, 0.25, Sae	2
▲	16 08708	(006501-) Nut, Hex, Lock, M6 X 1.00, NI	2
▲	17 1076292	(006501-) Plate, Support, Skirt Sbdc	1
▲	18 1037346	(006501-) Screw, Hex, M8 X 1.25 X 25, 9.8, Sems	2
▲	19 08709	(006501-) Nut, Hex, Lock, M8 X 1.25, NI	2

Fig. 26 - Dual Side Brush Dust Control Skirt Kit

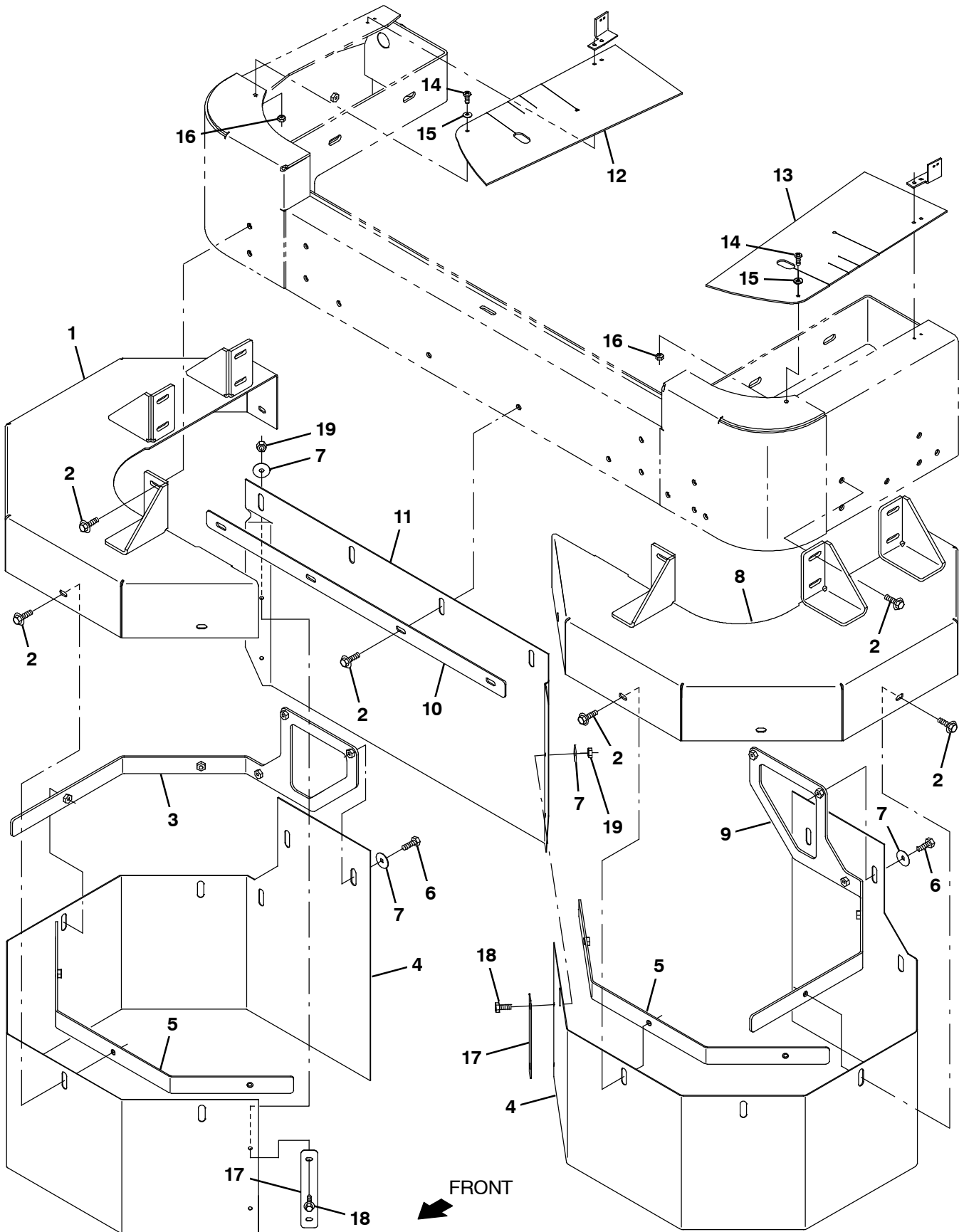


Fig. 26 - Dual Side Brush Dust Control Skirt Kit

	Ref.	Part No.	Serial Number	Description	Qty.
▽		9017883	(006501-) Dust Cntrl, Dry, Dual Sb, Ci [S30]	1
▲	1	1076396	(006501-) Cover Wldt, Rh, Sbdc [S30]	1
▲	2	1037354	(006501-) Screw, Hex, M8 X 1.25 X 30, 9.8, Sems	28
▲	3	1076400	(006501-) Strip, Retainer, Wldt, Skirt, Rh, Sbdc	1
▲	4	1076408	(006501-) Skirt, Side Shroud, Sbdc [S30]	2
▲	5	1076402	(006501-) Strip, Retainer, Wldt, Sbdc [S30]	2
▲	6	16931	(006501-) Screw, Hex, M8 X 1.25 X 20, 8.8	4
▲	7	30013	(006501-) Washer, Flat, 0.31, Fendr	6
▲	8	1076398	(006501-) Cover Wldt, Lh, Sbdc [S30]	1
▲	9	1076410	(006501-) Strip, Retainer, Wldt, Skirt, Lh, Sbdc	1
▲	10	1076403	(006501-) Strip, Retainer, Front, Sbdc	1
▲	11	1076413	(006501-) Skirt, Front, Dual Sbdc [S30]	1
▲	12	1076411	(006501-) Seal, Upper, Rh, Sbdc [S30]	1
▲	13	1076412	(006501-) Seal, Upper, Lh, Sbdc [S30]	1
▲	14	09164	(006501-) Screw, Pan, Phl, M6 X 1.00 X 20, 4.8	2
▲	15	32483	(006501-) Washer, Flat, 0.25, Sae	2
▲	16	08708	(006501-) Nut, Hex, Lock, M6 X 1.00, NI	2
▲	17	1076292	(006501-) Plate, Support, Skirt Sbdc	2
▲	18	1037346	(006501-) Screw, Hex, M8 X 1.25 X 25, 9.8, Sems	4
▲	19	08709	(006501-) Nut, Hex, Lock, M8 X 1.25, NI	4

Fig. 27 - HEPA Filter Vacuum Hose Group

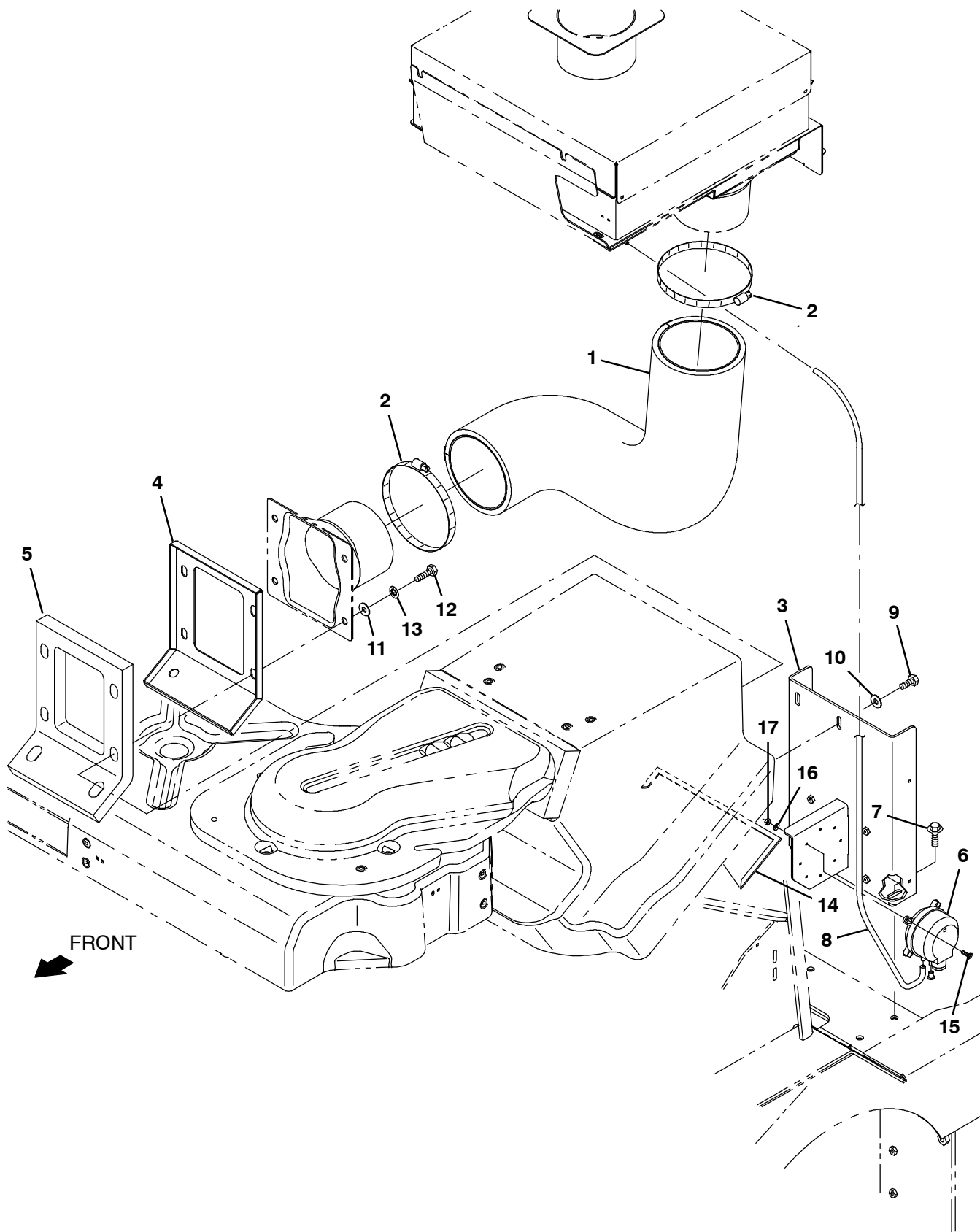


Fig. 27 - HEPA Filter Vacuum Hose Group

Ref.	Part No.	Serial Number	Description	Qty.
1	1042831	(006501-) Hose, Exhaust, Vacuum, 5.0id, 40.0l	1
2	49891	(006501-) Clamp, Hose, Wormdrive, 5.56- 6.50d, .56w	2
3	1236127	(006501-) Bracket Wldt, Fan Mtg, Press Sw Mtg	1
4	1240478	(006501-) Bracket, Seal, Flange, Vac	1
5	1240476	(006501-) Seal, Flange, Rbr, Foam, Adh, 1.0th	1
6	1076268	(006501-) Switch, Press, Adj [.80"- 4.0" Water]	1
7	1037346	(006501-) Screw, Hex, M8 X 1.25 X 25, 9.8, Sems	2
8	1031576	(006501-) Hose, Afmkt, Vacuum, 0.16id, 08ft	1
9	16931	(006501-) Screw, Hex, M8 X 1.25 X 20, 8.8	2
10	32491	(006501-) Washer, Flat, 0.31, Std	2
11	1017218	(006501-) Washer, Flat, 0.32b 1.00d .12, Ss	5
12	41342	(006501-) Screw, Hex, M8 X 1.25 X 40, 8.8	5
13	32984	(006501-) Washer, Lock, Int, 0.31	5
14	1046426	(006501-) Seal, Afmkt, Rbr, Clsd, Adh, 08ft	1
15	24265	(006501-) Screw, Pan, Phl, M4 X 0.70 X 16, Ss	2
16	19065	(006501-) Washer, Flat, 0.19b 0.44d .05, Pl, 08	2
17	02850	(006501-) Nut, Hex, Lock, M4 X 0.70, NI	2

Fig. 28 - HEPA Filter Box Group

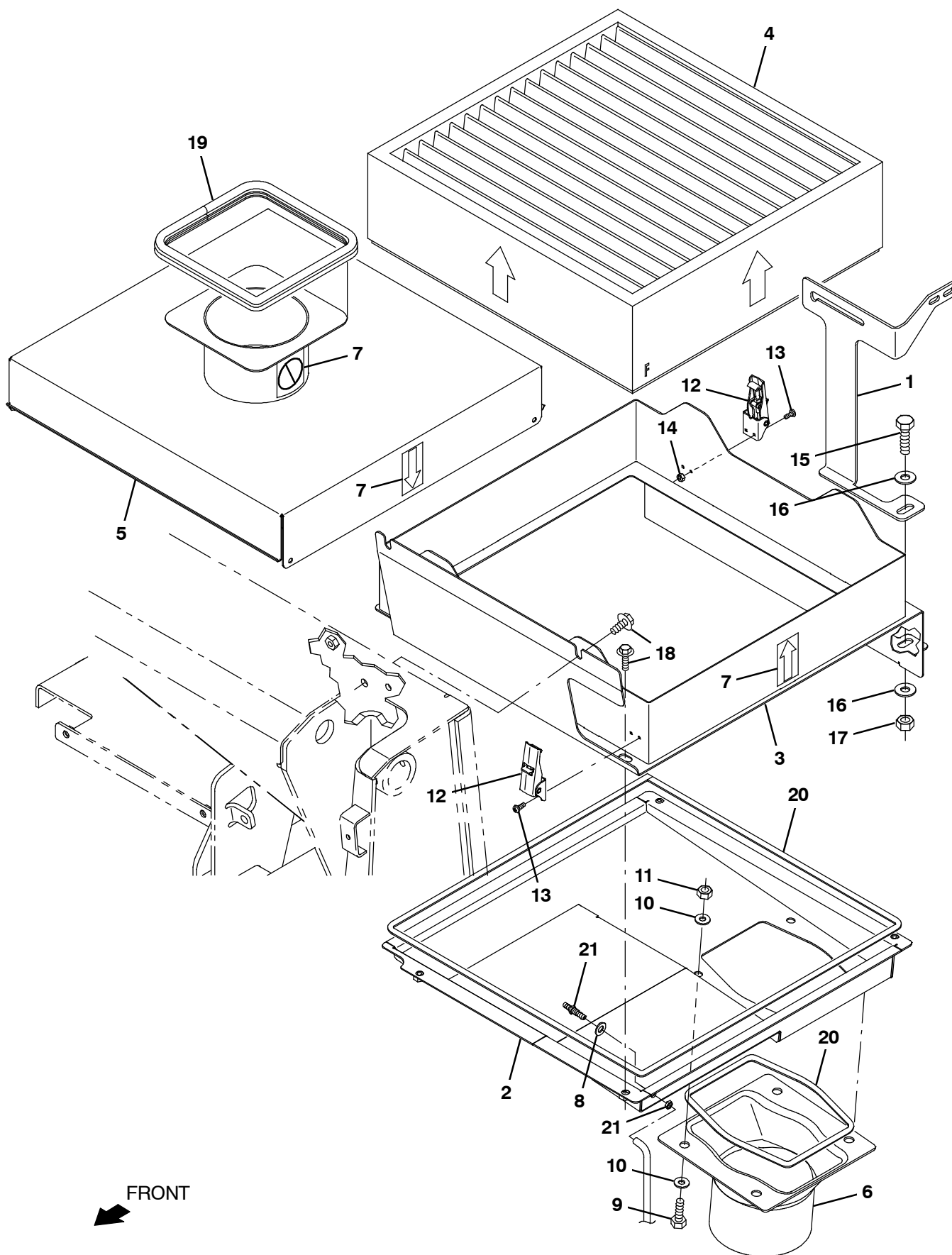


Fig. 28 - HEPA Filter Box Group

Ref.	Part No.	Serial Number	Description	Qty.
1	1235597	(006501-) Bracket, Sppt, Prop Rod, [Gen II S30]	1
2	1232268	(006501-) Diverter Wldt, Fltr, Hepa [Gen II S30]	1
3	1232173	(006501-) Bracket Wldt, Fltr Tray, Hepa [Gen II]	1
4	315396	(006501-008626) Element, Filter, Hepa, 25.0h 13.5w	1
4	1232166	(008627-) Element, Fltr, Hepa, 18 X 17 X 5 [S30]	1
5	1234043	(006501-) Cover Wldt, Hepa, [Gen II - S30]	1
6	1031122	(006501-) Duct, Outlet, Vacuum	1
7	1237915	(006501-) Label Set, Fltr, Hepa [S20&S30]	1
8	43454	(006501-) Washer, Flat, 0.34b 0.69d .06, Nyl	1
9	39277	(006501-) Screw, Hex, M8 X 1.25 X 25, 8.8	4
10	32490	(006501-) Washer, Flat, 0.25, Std	8
11	08709	(006501-) Nut, Hex, Lock, M8 X 1.25, NI	4
12	384418	(006501-) Latch, Door [Southco 91- 562- 07]	2
13	49697	(006501-) Screw, Pan, Phl, M4 X 0.70 X 10, Ss	4
14	02850	(006501-) Nut, Hex, Lock, M4 X 0.70, NI	4
15	03192	(006501-) Screw, Hex, M10 X 1.50 X 30, 8.8	1
16	32492	(006501-) Washer, Flat, 0.38, Std	2
17	41430	(006501-) Nut, Hex, Lock, M10 X 1.5, NI	1
18	1036892	(006501-) Screw, Hex, M6 X 1.00 X 25, 9.8, Sems	6
19	1063864	(006501-) Seal, Afmkt, Bulb, 90, 0.38, 03ft	1
20	1020287	(006501-) Seal, Afmkt, Rbr, Clsd, Adh, 12ft	1
21	39923	(006501-) Fitting, Brs, Str, Bm03/Bm03, Bh	1

Fig. 29 - HEPA Filter Exhaust Cover Group

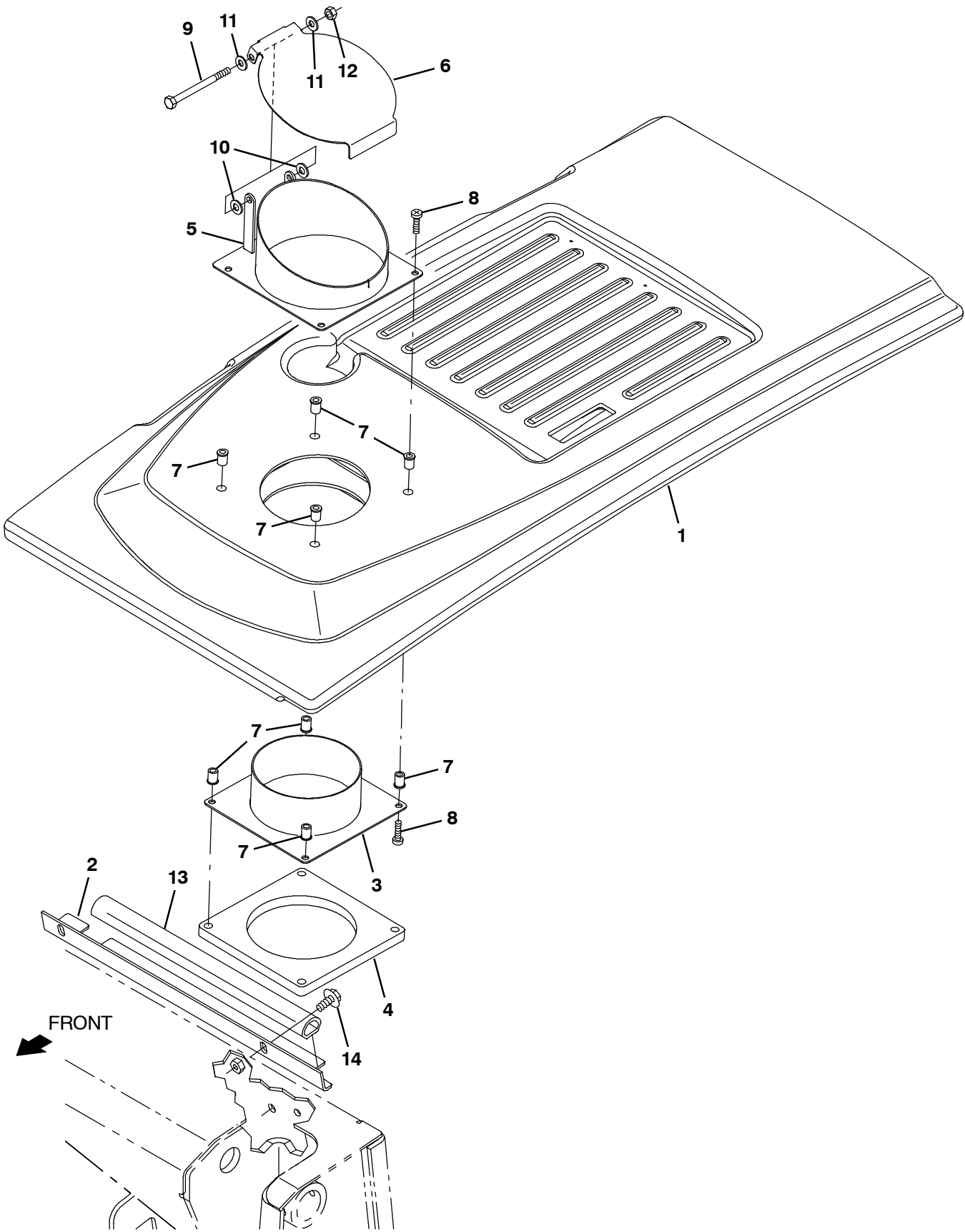
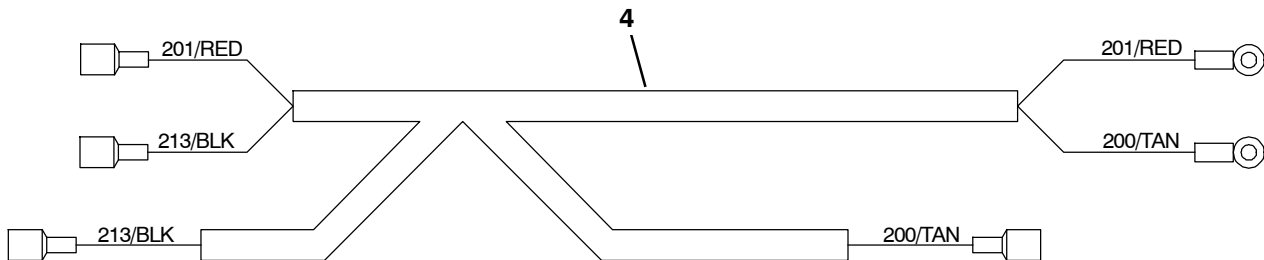
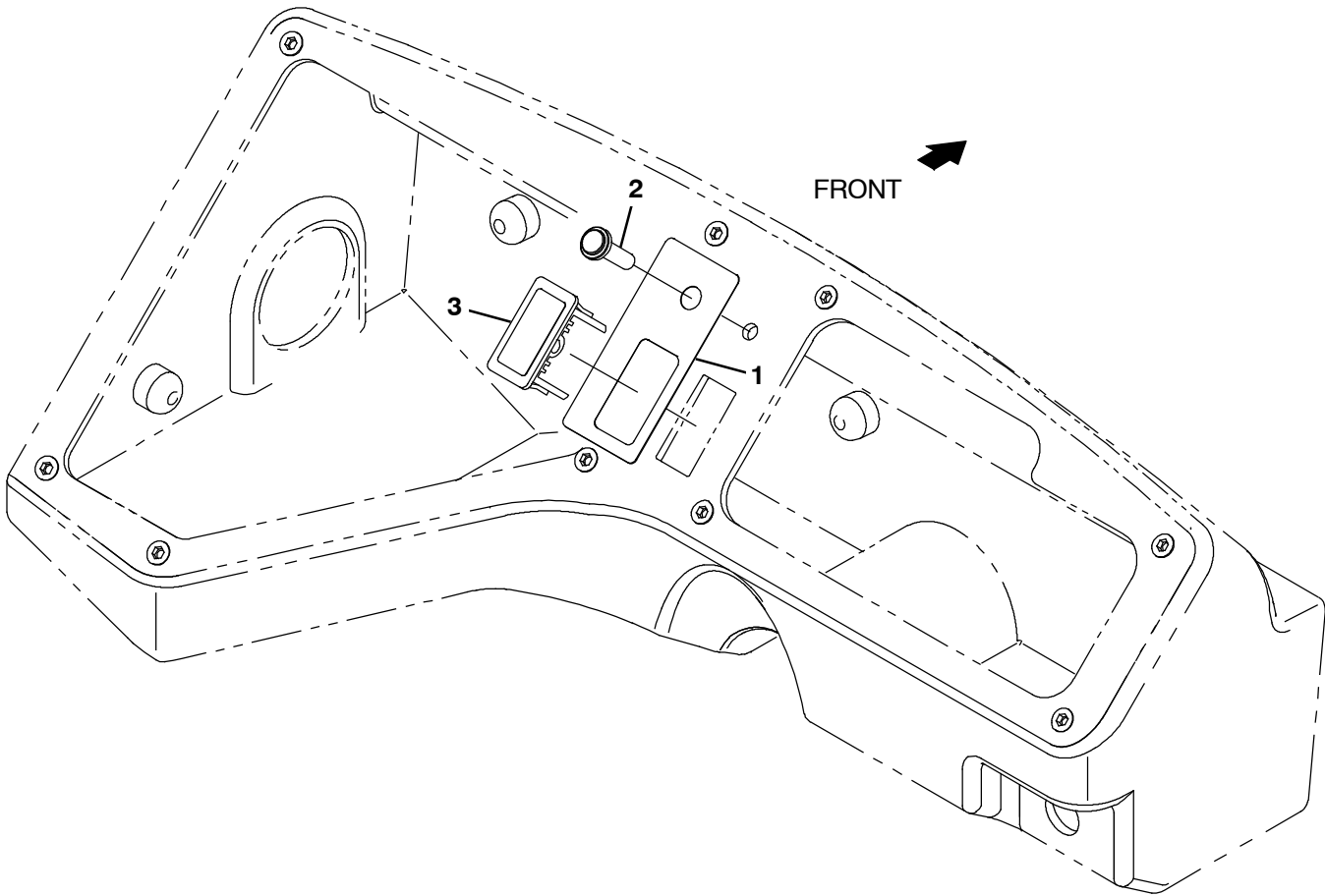


Fig. 29 - HEPA Filter Exhaust Cover Group

Ref.	Part No.	Serial Number	Description	Qty.
1	1239318	(006501-) Cover, Rm- Cptl, Trimmed, Re- Work	1
2	1235750	(006501-) Bracket, Angle, Lintel	1
3	1234409	(006501-) Bracket Wldt, Tube Outlet [Gen li S30]	1
4	1234899	(006501-) Gasket, Foam Seal, Hepa Exhaust [S30]	1
5	1235630	(006501-) Bracket Wldt, Exhaust, Hepa [Gen li S30]	1
6	1235628	(006501-) Flap, Outlet, Hepa, [Gen li S30]	1
7	314050	(006501-) Nut, Isolator, 10- 32, .015- .192	8
8	140841	(006501-) Screw, Pan, Phl, 10- 32 X 0.62, Ss	8
9	48419	(006501-) Screw, Hex, .25- 20 X 3.50, G5	1
10	43454	(006501-) Washer, Flat, 0.34b 0.69d .06, Nyl	2
11	01684	(006501-) Washer, Flat, 0.27b 0.69d .05, Ss	2
12	32981	(006501-) Nut, Hex, Lock, .25- 20, NI	1
13	1015273	(006501-) Seal, Afmkt, Bulb, Str, 0.76, 0.93w 02ft	1
14	1036892	(006501-) Screw, Hex, M6 X 1.00 X 25, 9.8, Sems	2

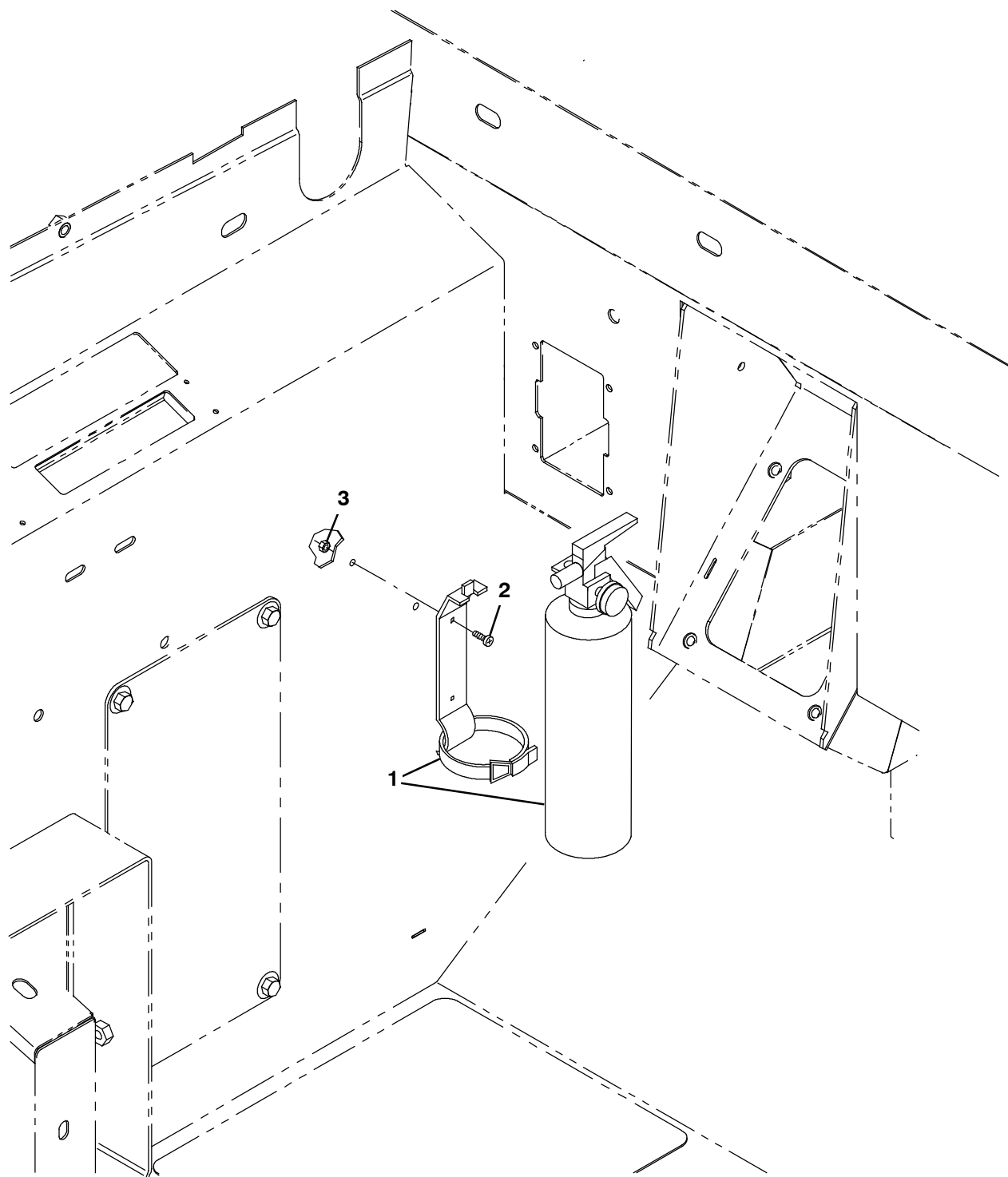
Fig. 30 - HEPA Filter Electrical Group



356801

Ref.	Part No.	Serial Number	Description	Qty.
1	1237915	(006501-) Label Set, Fltr, Hepa [S20&S30]	1
2	1232342	(006501-) Light, Led, .312d, 12 Vdc [Tri- Color]	1
3	398501	(006501-) Plug, Hole, Rt, Rocker Switch, .87 X 1.7	1
4	1239358	(006501-) Harness, Light, Ind, Hepa Filter [S30]	1

Fig. 31 - Fire Extinguisher Kit



Ref.	Part No.	Serial Number	Description	Qty.
▽	9003933	(006501-) Extinguisher Kit, Fire, Ci [S30]	1
▲	1 25312	(006501-) Extinguisher, Fire, 2.5 Lb Dry	1
▲	2 06933	(006501-) Screw, Pan, M5 X 0.80 X 16, 4.8	2
▲	3 06549	(006501-) Nut, Hex, Lock, M5 X 0.80, NI	2

Fig. 32 - Spotlight Kit, Blue

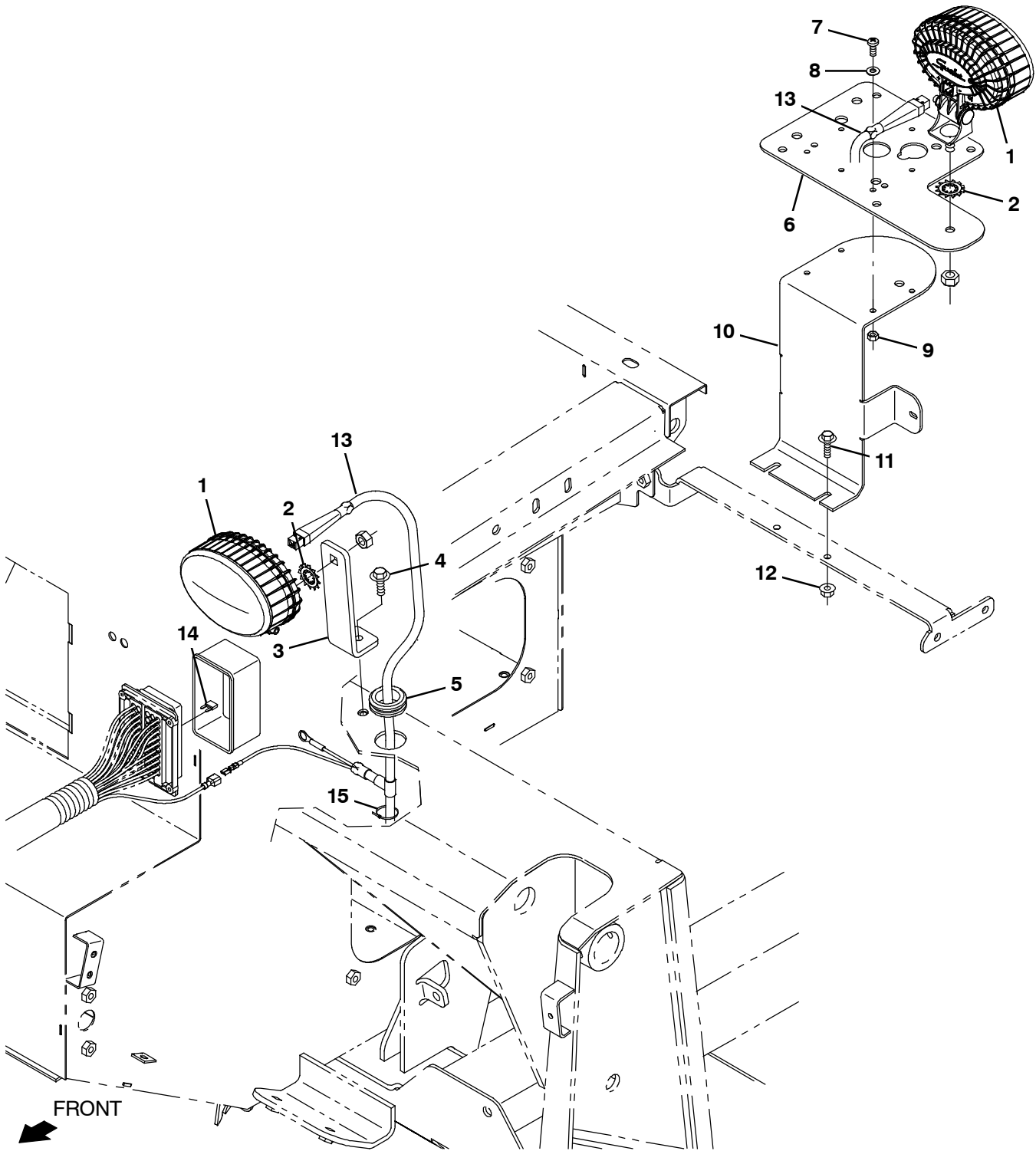
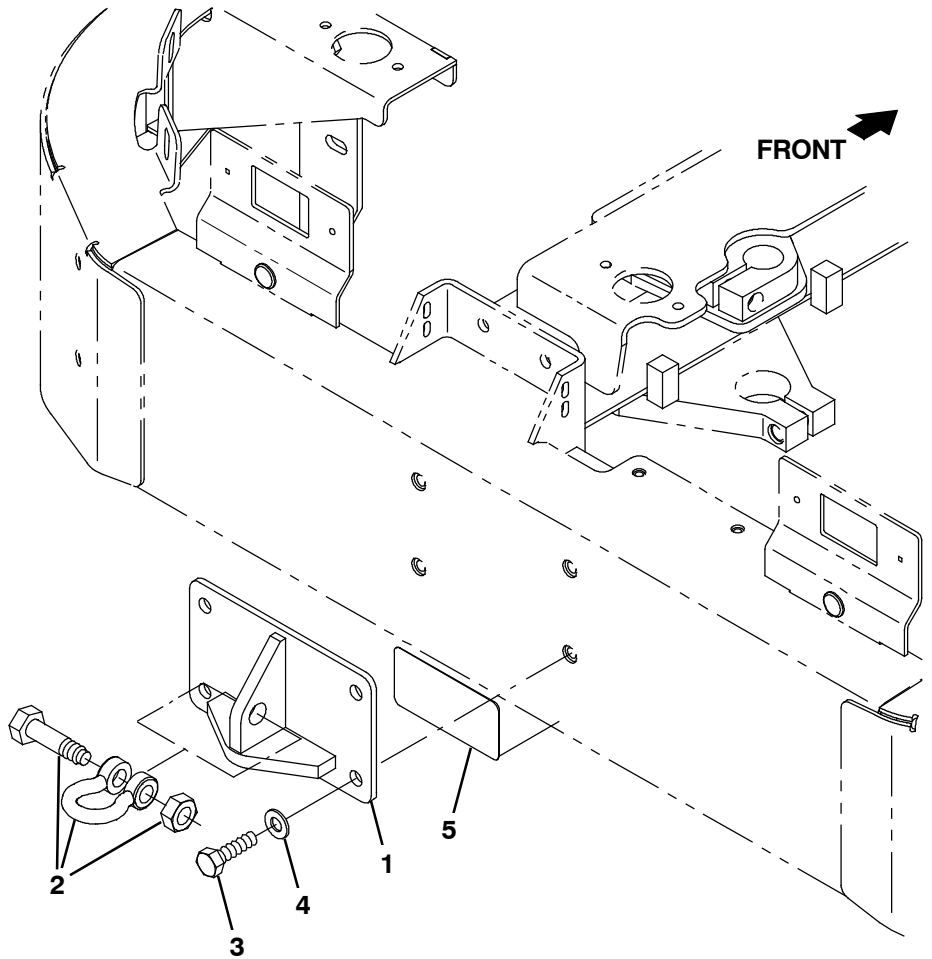


Fig. 32 - Spotlight Kit, Blue

	Ref.	Part No.	Serial Number	Description	Qty.
▽		9020927	(006501-) Spotlight, Blue, Ci [S30]	1
▲	1	1240687	(006501-) Light, Spot, Blue, Led	2
▲	2	41143	(006501-) Washer, Lock, Int- Ext, 0.50	2
▲	3	1076786	(006501-) Brkt, Blu Spotlight, Fr, Frame Mtg	1
▲	4	1037354	(006501-) Screw, Hex, M8 X 1.25 X 30, 9.8, Sems	1
▲	5	10632- 1	(006501-) Grommet, Rbr, 1.06id, F/1.4h, .19 Matl	1
▲	6	1076789	(006501-) Brkt, Blu Spotlight, Rr, Frame Mtg	1
▲	7	06933	(006501-) Screw, Pan, Phl, M5x0.80x16, 4.8	4
▲	8	19066	(006501-) Washer, Flat, 0.25b 0.56d .05, Pl, 10	4
▲	9	06549	(006501-) Nut, Hex, M5 X 0.80 X 16, 8.8	4
▲	10	1061140	(006501-) Bracket, Alarm, Backup	1
▲	11	1036892	(006501-) Screw, Hex, M6 X 1.00 X 25, 9.8, Sems	2
▲	12	07790	(006501-) Nut, Hex, Flng, M6 X 1.00	2
▲	13	1076776	(006501-) Harness, Blu Spotlight [S30]	1
▲	14	1049734	(006501-) Fuse, Blade, 005a, 32vdc [Mini]	1
▲	15	763114	(006501-) Tie, Cable, 11.3l, 2.75d Max	10

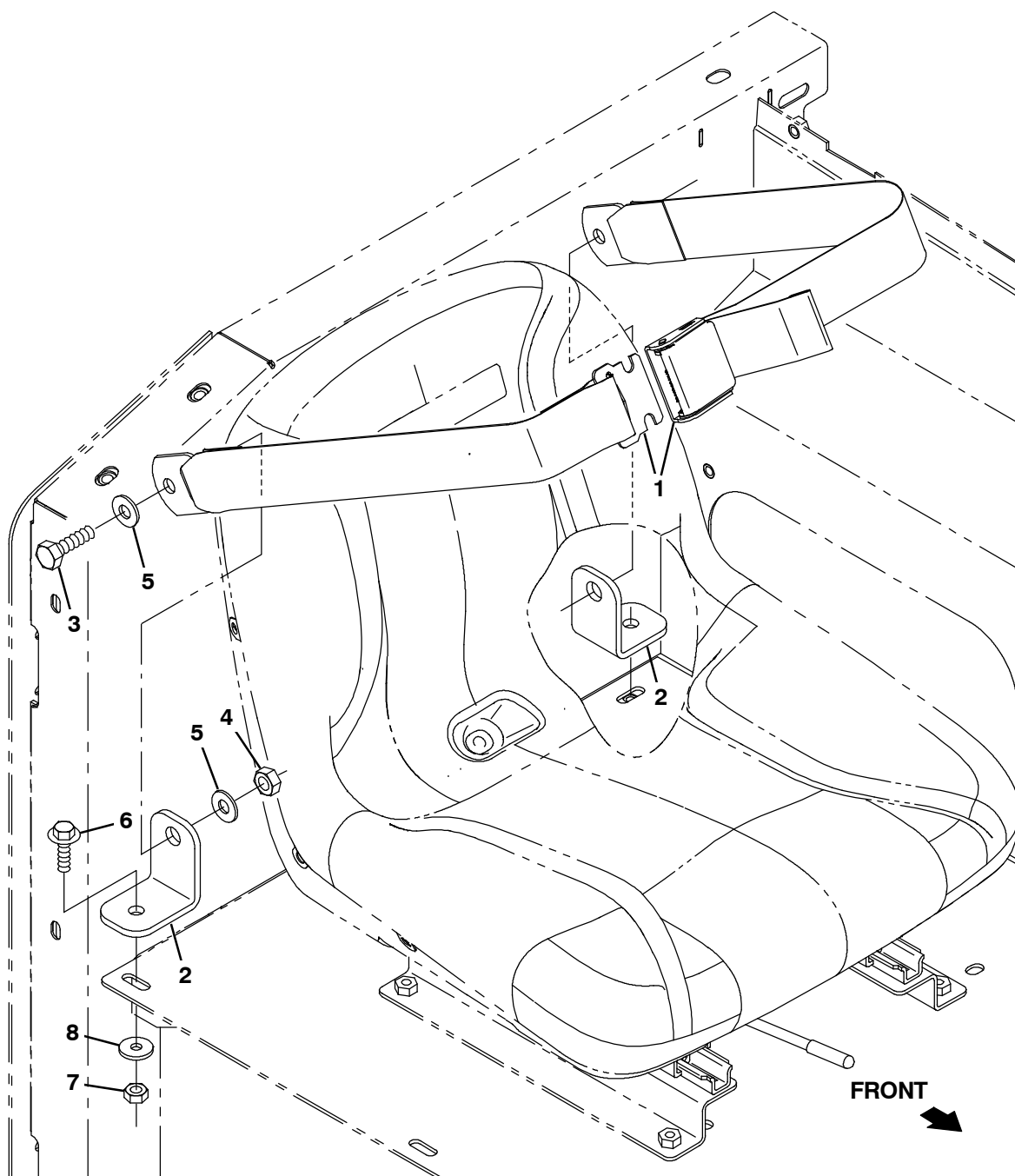
Fig. 33 - Tow Hook Group



357155

Ref.	Part No.	Serial Number	Description	Qty.
1	1076795	(006501-)	Plate Wldt, Winch Hook	1
2	1076741	(006501-)	Anchor [Shackle], .625 Thick	1
3	06968	(006501-)	Screw, Hex, M12 X 1.75 X 35, 8.8	4
4	32486	(006501-)	Washer, Flat, 0.53b 1.06d .10, Stl, Pl	4
5	1251735	(006501-)	Label, Hook, Winch	1

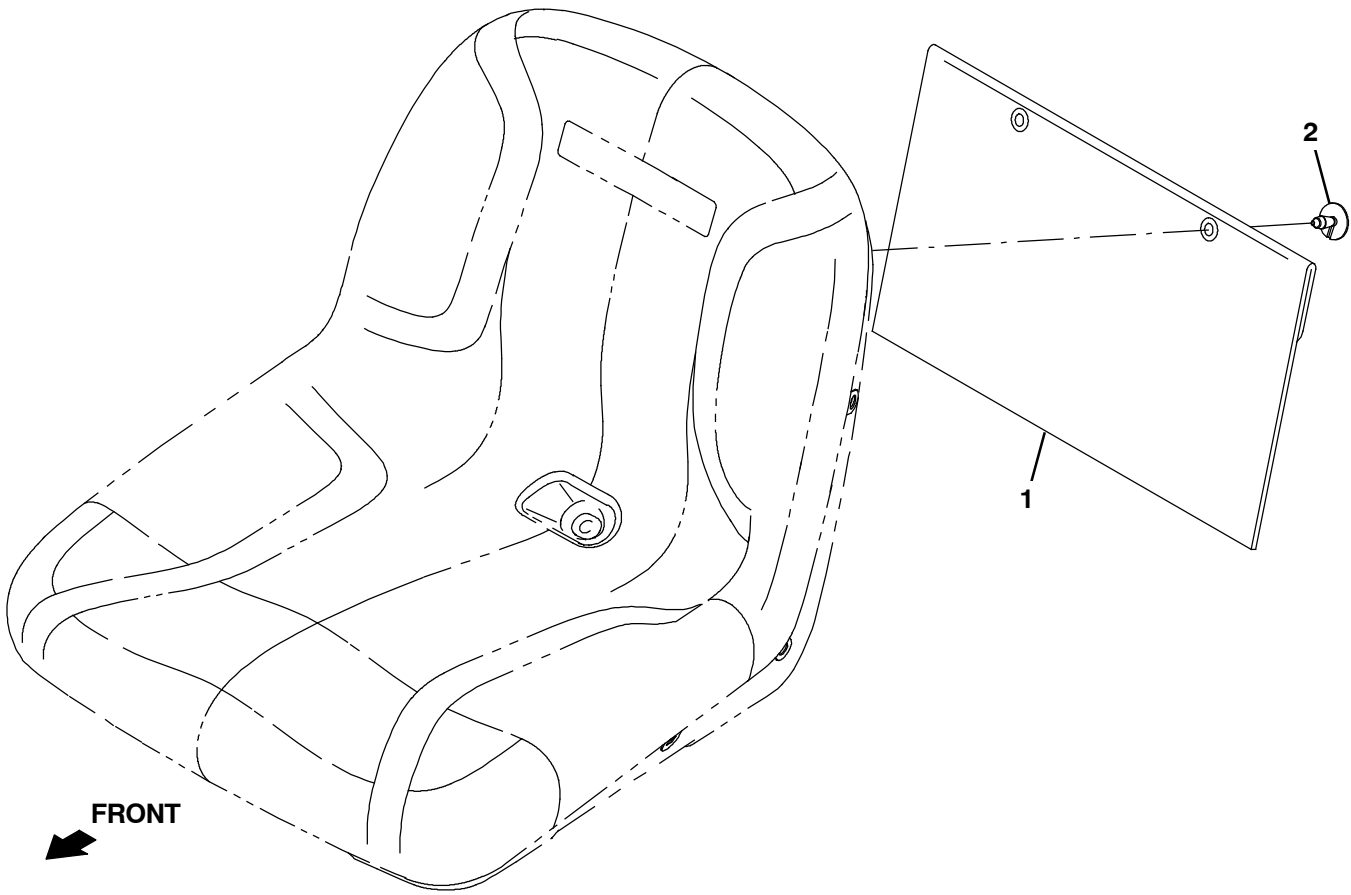
Fig. 34 - Seat Belt Group



357156

Ref.	Part No.	Serial Number	Description	Qty.
1	30533	(006501-) Seatbelt, 60.0l, Orange	1
2	1076953	(006501-) Bracket, Seatbelt, Mtg [S30]	2
3	03192	(006501-) Screw, Hex, M10 X 1.50 X 30, 8.8	2
4	41430	(006501-) Nut, Hex, Lock, M10 X 1.5, NI	4
5	32492	(006501-) Washer, Flat, 0.38, Std	4
6	1037354	(006501-) Screw, Hex, M8 X 1.25 X 30, 9.8, Sems	2
7	08709	(006501-) Nut, Hex, Lock, M8 X 1.25, NI	2
8	1017218	(006501-) Washer, Flat, 0.32b 1.00d .12, Ss	2

Fig. 35 - Weather Proof Pouch Group



357134

Ref.	Part No.	Serial Number	Description	Qty.
▽	9020593	(000000-) Pouch, Manual, Weather Proof	1
▲ 1	68275	(000000-) Pouch	1
▲ 2	72968	(000000-) Rivet, Plstc, .250d X 0.90	2

Fig. 36 - Documentation Group (Online Only)

Ref.	Part No.	Serial Number	Description	Qty.
	9004087	(006501-) Manual, Oprtr [S30, Dsl En Na]	1
	9004088	(006501-) Manual, Oprtr [S30, Dsl Es Na]	1
	9004089	(006501-) Manual, Oprtr [S30, Dsl Fr Na]	1
	9004090	(006501-) Manual, Oprtr [S30, Dsl Jp]	1
	9004667	(006501-) Manual, Oprtr [S30, Dsl Cn]	1
	9004668	(006501-) Manual, Oprtr [S30, Dsl Pt, Br]	1
	9013315	(006501-) Manual, Parts [S30, Dsl En]	1
	9004086	(006501-) Manual, Service [S30 EN]	1
	84660	(006501-) Manual, Eng [Kubo, V1505e]	1
	9013317	(006501-) Instr, Maint, Wall Chart (ONLINE ONLY)	1



To view, print, or download the latest Parts manual, other language Operator manuals, and Use and Care Guides (wall charts) visit:

www.tennantco.com/manual

SECTION 4

Contents	Page
Fig. 1 - Hydraulic Steering Valve Breakdown, 1024260	4- 2
Fig. 2 - Hydraulic Valve Breakdown, 1040091	4- 4
Fig. 3 - Hydraulic Valve Breakdown, 1034671	4- 6
Fig. 4 - AC and Heater Box Breakdown, 1067918	4- 8
Fig. 5 - Hydraulic Motor Breakdown, 1054901	4- 10
Fig. 6 - Hydraulic Piston Pump Breakdown, 1054905	4- 12
Fig. 7 - Hydraulic Piston Pump Breakdown, 1029255	4- 14
Fig. 8 - Hydraulic Piston Pump Breakdown, 1029255	4- 16
Fig. 9 - Hydraulic Manual Control Breakdown, 74273	4- 18
Fig. 10 - Seat Breakdown, 9018735	4- 20
Fig. 11 - Hydraulic Motor Breakdown, 1044109	4- 22
Fig. 12 - Hydraulic Flow Divider Valve Breakdown, 1033685	4- 24

Fig. 1 - Hydraulic Steering Valve Breakdown, 1024260

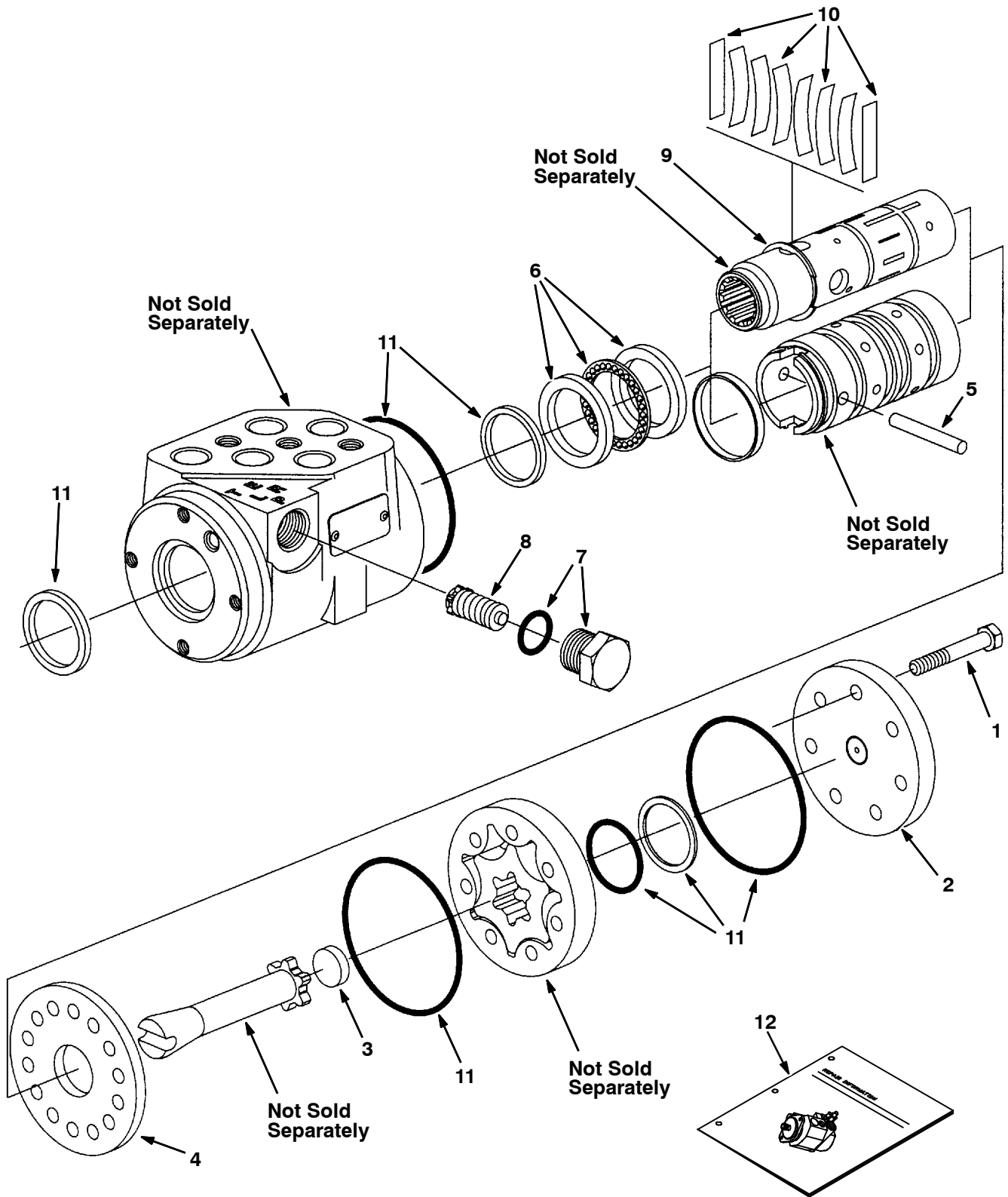


Fig. 1 - Hydraulic Steering Valve Breakdown, 1024260

	Ref.	Part No.	Serial Number	Description	Qty.
▽		1024260	(000000-) Steer- Control, Hyd05, 06.1 2030	1
▲	1	74183	(000000-) Screw, Valve, Steering	7
▲	2	74185	(000000-) Cap, End, Valve, Steering	1
▲	3	74193	(000000-) Spacer, Valve, Steering	1
▲	4	74222	(000000-) Plate, Wear, Steering Valve	1
▲	5	74232	(000000-) Pin, Valve, Steering	1
▲	6	21935	(000000-) Bearing Kit [C]	1
▲	7	21933	(000000-) Plug Assy [C]	1
▲	8	21934	(000000-) Valve Assy, Relief [C]	1
▲	9	74243	(000000-) Ring, Retainer, Steering Valve	1
▲	10	74196	(000000-) Spring Kit, Scu [C]	1
▲	11	74244	(000000-) Seal Kit, Steering [C]	1
▲	12	74245	(000000-) Instr, Valve, Steering, Repair	1

Fig. 2 - Hydraulic Valve Breakdown, 1040091

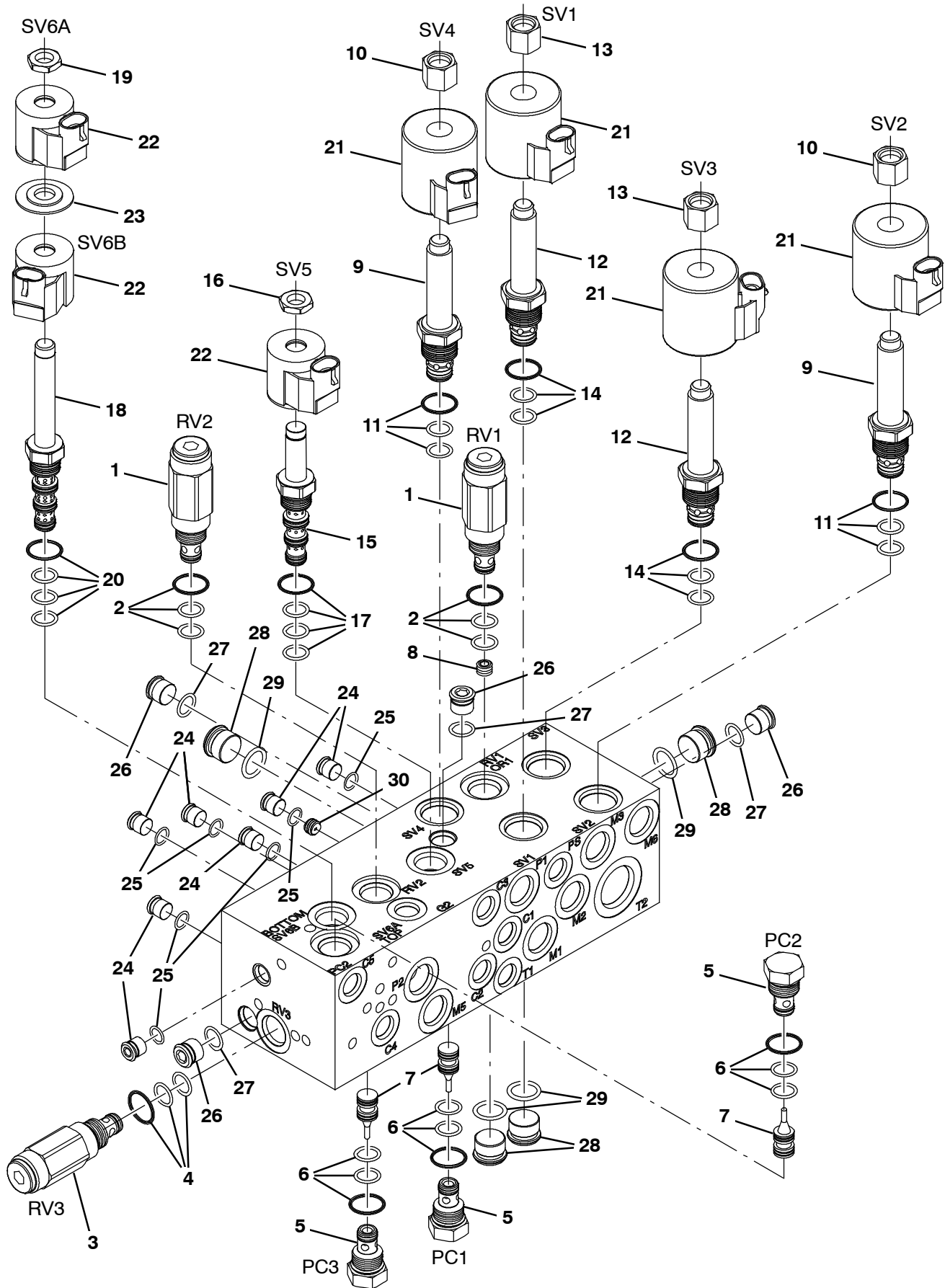


Fig. 2 - Hydraulic Valve Breakdown, 1040091

	Ref.	Part No.	Serial Number	Description	Qty.
▽		1040091	(000000-) Valve, Hyd, Solenoid, 12vdc [06s]	1
▲▽	1	373691	(000000-) Valve, Relief	2
▲▲	2	373647	(000000-) Seal Kit, Cartridge	1
▲▽	3	373692	(000000-) Valve, Relief	1
▲▲	4	373647	(000000-) Seal Kit, Cartridge	1
▲▽	5	373656	(000000-) Valve, Check	3
▲▲	6	373647	(000000-) Seal Kit, Cartridge	1
▲	7	373658	(000000-) Spool, Pilot, Hyd	3
▲	8	373694	(000000-) Plug, Orifice, Valve, Hyd, .040	1
▲▽	9	373663	(000000-) Valve, Stem, No	2
▲▲	10	373685	(000000-) Nut, Coil, Nyl Patch	1
▲▲	11	373646	(000000-) Seal Kit, Cartridge	1
▲▽	12	373690	(000000-) Valve, Stem, No	2
▲▲	13	373685	(000000-) Nut, Coil, Nyl Patch	1
▲▲	14	373646	(000000-) Seal Kit, Cartridge	1
▲▽	15	373657	(000000-) Stem, Valve, Hyd [4w2p]	1
▲▲	16	373684	(000000-) Nut, Coil, Nyl Patch	1
▲▲	17	373647	(000000-) Seal Kit, Cartridge	1
▲▽	18	373637	(000000-) Valve, Cntrl, Solenoid	1
▲▲	19	373684	(000000-) Nut, Coil, Nyl Patch	1
▲▲	20	373647	(000000-) Seal Kit, Cartridge	1
▲	21	373642	(000000-) Solenoid, #10, 12vdc	4
▲	22	373640	(000000-) Solenoid, #8, 12vdc	3
▲	23	373639	(000000-) Spacer, Coil, #8	1
▲▽	24	74098	(000000-) Fitting, Hyd, Plug, Om04	7
▲▲	25	77003	(000000-) Seal, Org, .072 X 00.35id #04	1
▲▽	26	13904	(000000-) Fitting, Plug, Org, #6, Valve [Cec]	4
▲▲	27	77005	(000000-) Seal, Org, .078 X 00.47id #06	1
▲▽	28	13907	(000000-) Fitting, Hyd, Plug, Om08	4
▲▲	29	77006	(000000-) Seal, Org, .087 X 00.64id #08	1
▲	30	373665	(000000-) Plug, Orifice, Valve, Hyd, .046	1

Fig. 3 - Hydraulic Valve Breakdown, 1034671

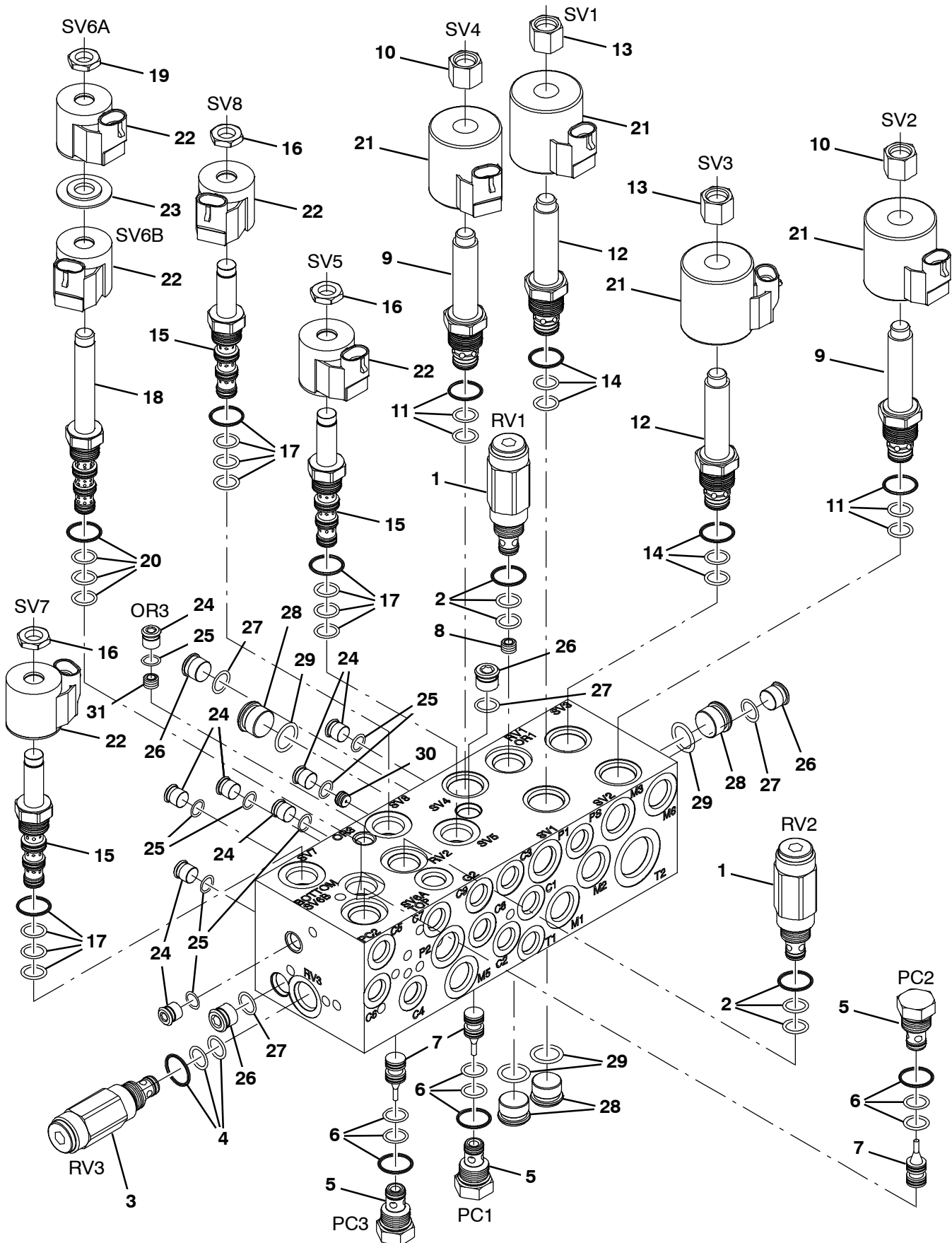


Fig. 3 - Hydraulic Valve Breakdown, 1034671

	Ref.	Part No.	Serial Number	Description	Qty.
▽		1034671	(000000-) Valve, Hyd, Solenoid, 12vdc [06s]	1
▲▽	1	373691	(000000-) Valve, Relief	2
▲▲	2	373647	(000000-) Seal Kit, Cartridge	1
▲▽	3	373692	(000000-) Valve, Relief	1
▲▲	4	373647	(000000-) Seal Kit, Cartridge	1
▲▽	5	373656	(000000-) Valve, Check	3
▲▲	6	373647	(000000-) Seal Kit, Cartridge	1
▲	7	373658	(000000-) Spool, Pilot, Hyd	3
▲	8	373694	(000000-) Plug, Orifice, Valve, Hyd, .040	1
▲▽	9	373663	(000000-) Valve, Stem, No	2
▲▲	10	373685	(000000-) Nut, Coil, Nyl Patch	1
▲▲	11	373646	(000000-) Seal Kit, Cartridge	1
▲▽	12	373690	(000000-) Valve, Stem, No	2
▲▲	13	373685	(000000-) Nut, Coil, Nyl Patch	1
▲▲	14	373646	(000000-) Seal Kit, Cartridge	1
▲▽	15	373657	(000000-) Stem, Valve, Hyd [4w2p]	3
▲▲	16	373684	(000000-) Nut, Coil, Nyl Patch	1
▲▲	17	373647	(000000-) Seal Kit, Cartridge	1
▲▽	18	373637	(000000-) Valve, Cntrl, Solenoid	1
▲▲	19	373684	(000000-) Nut, Coil, Nyl Patch	1
▲▲	20	373647	(000000-) Seal Kit, Cartridge	1
▲	21	373642	(000000-) Solenoid, #10, 12vdc	4
▲	22	373640	(000000-) Solenoid, #8, 12vdc	5
▲	23	373639	(000000-) Spacer, Coil, #8	1
▲▽	24	74098	(000000-) Fitting, Hyd, Plug, Om04	8
▲▲	25	77003	(000000-) Seal, Org, .072 X 00.35id #04	1
▲▽	26	13904	(000000-) Fitting, Plug, Org, #6, Valve [Cec]	4
▲▲	27	77005	(000000-) Seal, Org, .078 X 00.47id #06	1
▲▽	28	13907	(000000-) Fitting, Hyd, Plug, Om08	4
▲▲	29	77006	(000000-) Seal, Org, .087 X 00.64id #08	1
▲	30	373665	(000000-) Plug, Orifice, Valve, Hyd, .046	1
▲	31	373693	(000000-) Plug, Orifice, Valve, Hyd, .035	1

Fig. 4 - AC and Heater Box Breakdown, 1067918

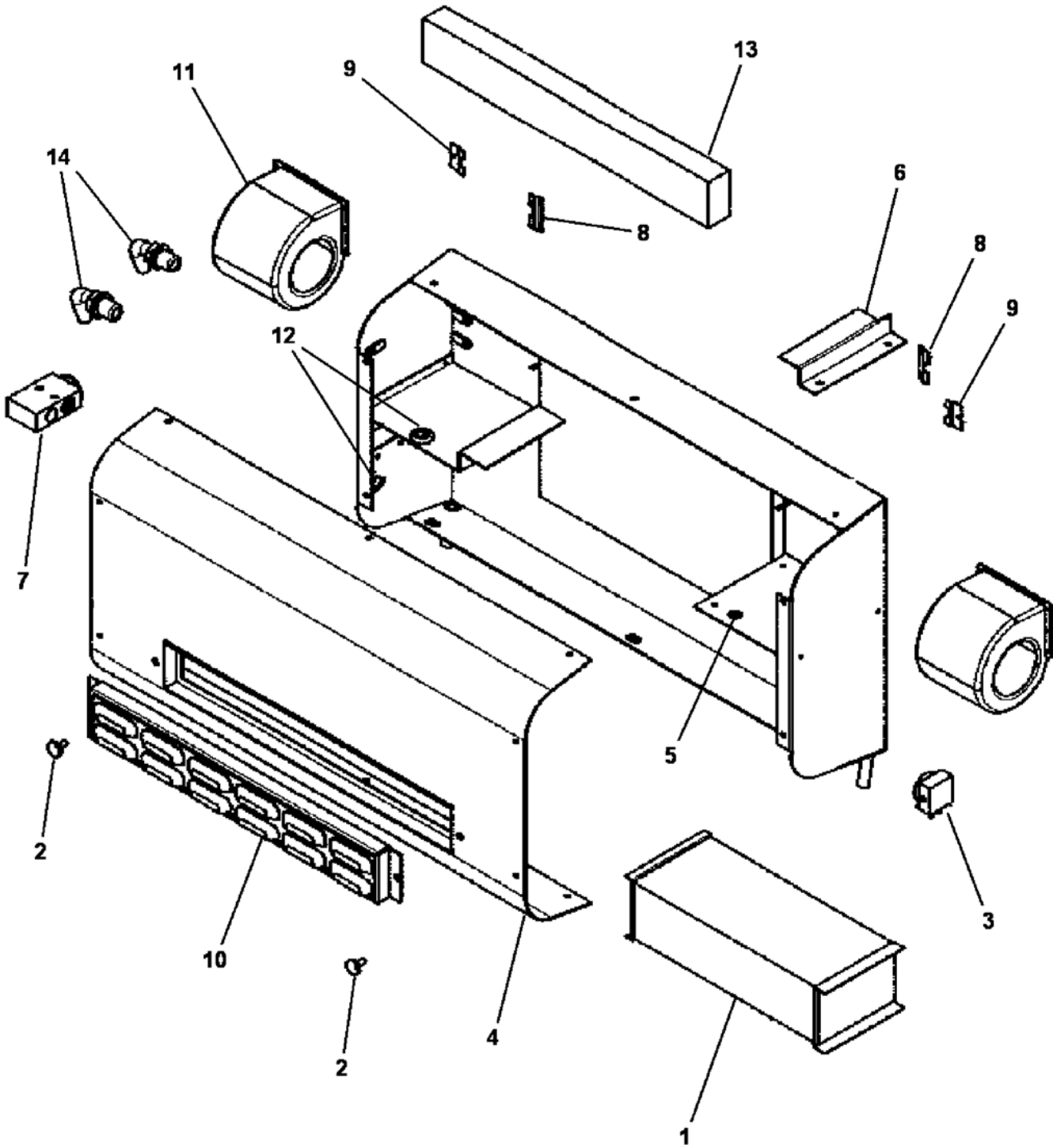


Fig. 4 - AC and Heater Box Breakdown, 1067918

	Ref.	Part No.	Serial Number	Description	Qty.
▽		1067918	(000000-) Heater & A/C Assy, W/Fan	1
▲	1	9004590	(000000-) Coil, Heater / Evaporator	1
▲	2	9004591	(000000-) Knob	2
▲	3	9004592	(000000-) Thermostat, Heater/Air	1
▲	4	9004593	(000000-) Cover	1
▲	5	9004594	(000000-) Grommet, Rbr, .25ld .375Od	1
▲	6	9004595	(000000-) Bracket, Coil, Mtg	1
▲	7	9004596	(000000-) Valve, Expansion	1
▲	8	9004597	(000000-) Clip, Keeper, Blower Mtg	2
▲	9	9004598	(000000-) Clip, Keeper, Blower Mtg	2
▲	10	9004599	(000000-) Cover, Access	1
▲	11	9004600	(000000-) Blown, Fan, Motor	2
▲	12	9004601	(000000-) Grommet, Rbr, .50ld 1.0Od	2
▲	13	9004602	(000000-) Filter	1
▲	14	9004603	(000000-) Fitting, E90, Bm10/Pm08	2

Fig. 5 - Hydraulic Motor Breakdown, 1054901

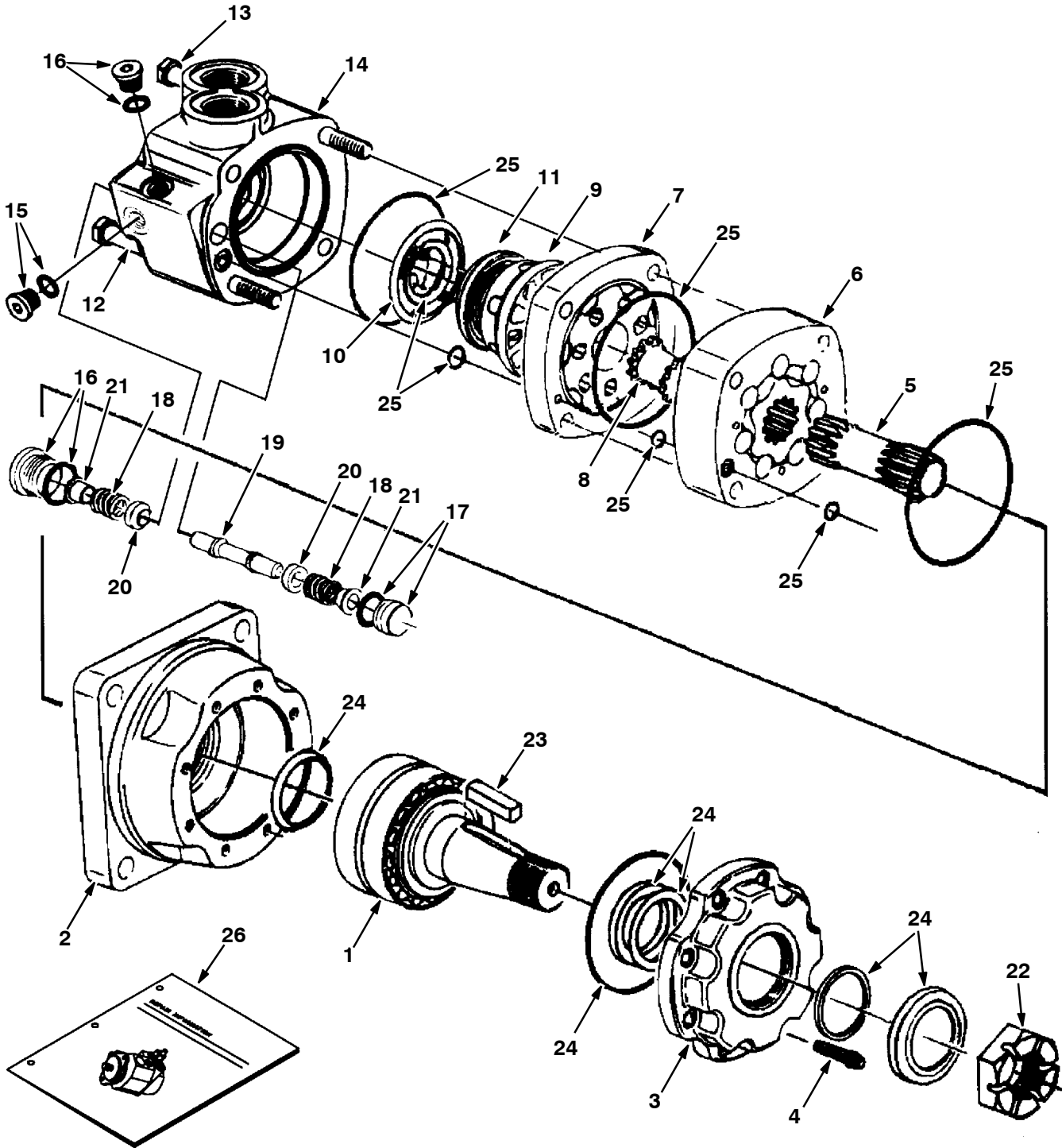


Fig. 5 - Hydraulic Motor Breakdown, 1054901

Ref.	Part No.	Serial Number	Description	Qty.
▽	1054901	(000000-) Motor, Hyd, Gear, Int 17.1 Bi- dir 3000	1
▲	1 74165	(000000-) Shaft, Motor, Hyd	1
▲	2 74166	(000000-) Housing, Brg, Motor, Hyd	1
▲	3 74167	(000000-) Retainer, Motor, Hyd	1
▲	4 74168	(000000-) Screw, Cap, Motor, Hyd	8
▲	5 373435	(000000-) Drive, Motor, Hyd	1
▲	6 373436	(000000-) Geroler, Motor, Hyd	1
▲	7 74122	(000000-) Plate, Valve, Motor, Hyd	1
▲	8 52405	(000000-) Valve, Motor, Hyd	1
▲	9 74123	(000000-) Valve, Motor, Hyd	1
▲	10 34178	(000000-) Spring, Motor, Hyd	2
▲	11 38968	(000000-) Ring, Motor, Hyd	1
▲	12 373437	(000000-) Bolt, Motor, Hyd	3
▲	13 373438	(000000-) Bolt, Motor, Hyd	1
▲	14 373297	(000000-) Housing, Valve	1
▲	15 373298	(000000-) Plug	1
▲	16 373545	(000000-) Plug, Pump, Hyd, Gear	2
▲	17 373299	(000000-) Plug	1
▲	18 373291	(000000-) Spring	2
▲	19 373543	(000000-) Piston, Pump, Hyd, Gear	1
▲	20 373226	(000000-) Poppet, Pump, Hyd, Gear	2
▲	21 373236	(000000-) Sleeve, Dashpo, Pump, Hyd, Gear	2
▲	22 45622	(000000-) Nut, Motor, Hyd	1
▲	23 45623	(000000-) Key, Motor, Hyd	1
▲	24 79828	(000000-) Seal Kit, Shaft [CI]	1
▲	25 33580	(000000-) Seal Kit, Rear [CI]	1
	26 74249	(000000-) Instr, Repair, Motor, Hyd, Gear	1

Fig. 6 - Hydraulic Piston Pump Breakdown, 1054905

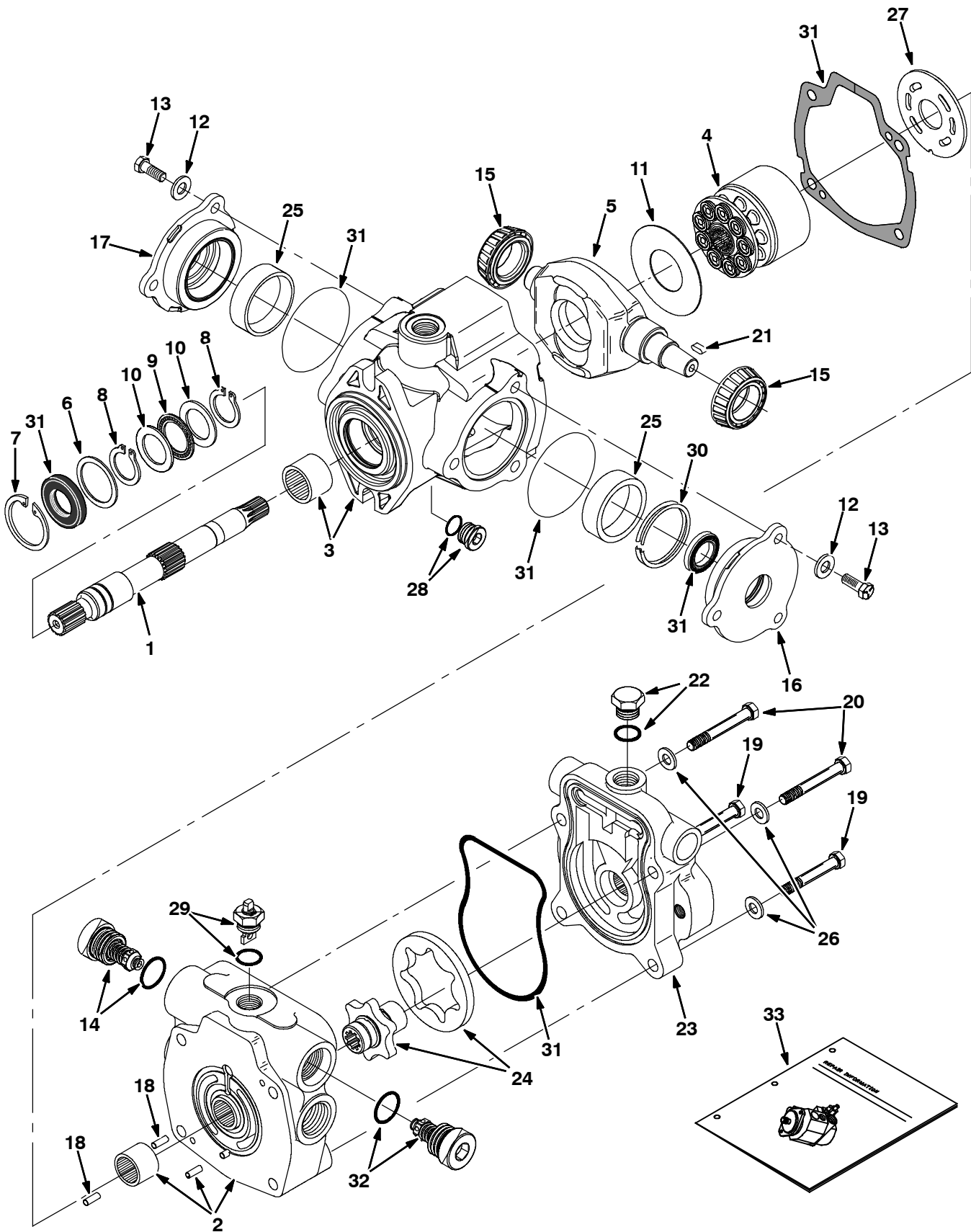


Fig. 6 - Hydraulic Piston Pump Breakdown, 1054905

Ref.	Part No.	Serial Number	Description	Qty.	
▽	1054905	(000000-) Pump, Hyd, Piston, Var, 1.24 4500, Cw	1	
▲	1	373699	(000000-) Driveshaft, Pump, Hyd	1
▲	2	373430	(000000-) Cover, End	1
▲	3	373389	(000000-) Housing	1
▲	4	02706	(000000-) Kit, Rotating, Pump, Hyd	1
▲	5	373493	(000000-) Cam	1
▲	6	70096	(000000-) Washer, Flt, Pump, Hyd	1
▲	7	55926	(000000-) Ring, Retaining, Pump, Hyd	1
▲	8	373434	(000000-) Ring, Retaining	2
▲	9	74225	(000000-) Bearing, Thrust, Pump, Hyd	1
▲	10	74226	(000000-) Race, Bearing, Pump, Hyd	2
▲	11	373327	(000000-) Insert, Plate, Cam, Pump, Hyd	1
▲	12	373391	(000000-) Washer, Pump, Hyd	6
▲	13	373346	(000000-) Screw, Cap	6
▲	14	74259	(000000-) Valve, Relief, Pump	1
▲	15	373317	(000000-) Bearing, Cone, Pump, Hyd	2
▲	16	373393	(000000-) Plate, Cover	1
▲	17	373394	(000000-) Plate, Cover	1
▲	18	70100	(000000-) Pin, Dowel, Pump, Hyd	2
▲	19	373336	(000000-) Screw, Cap, Pump, Hyd	2
▲	20	373337	(000000-) Screw, Cap, Pump, Hyd	2
▲	21	74237	(000000-) Key, Shaft, Pump, Hyd	1
▲	22	13907	(000000-) Fitting, Plug, O- Ring	1
▲	23	373700	(000000-) Adaptor Assy, Pump, Hyd	1
▲	24	373701	(000000-) Gerotor, Pump, Hyd	1
▲	25	373395	(000000-) Bearing, Cup	2
▲	26	373396	(000000-) Washer	4
▲	27	74180	(000000-) Plate, Valve, Pump, Hyd	1
▲	28	13907	(000000-) Fitting, Plug, O- Ring	1
▲	29	373413	(000000-) Actuator, Valve, Bypass	1
▲	30	373402	(000000-) Kit, Shim	1
▲	31	373398	(000000-) Kit, Seal, Hyd, Pump	1
▲	32	373431	(000000-) Valve, Relief, 3500psi	1
▲	33	373429	(000000-) Instr, Repair, Pump	1

Fig. 7 - Hydraulic Piston Pump Breakdown, 1029255

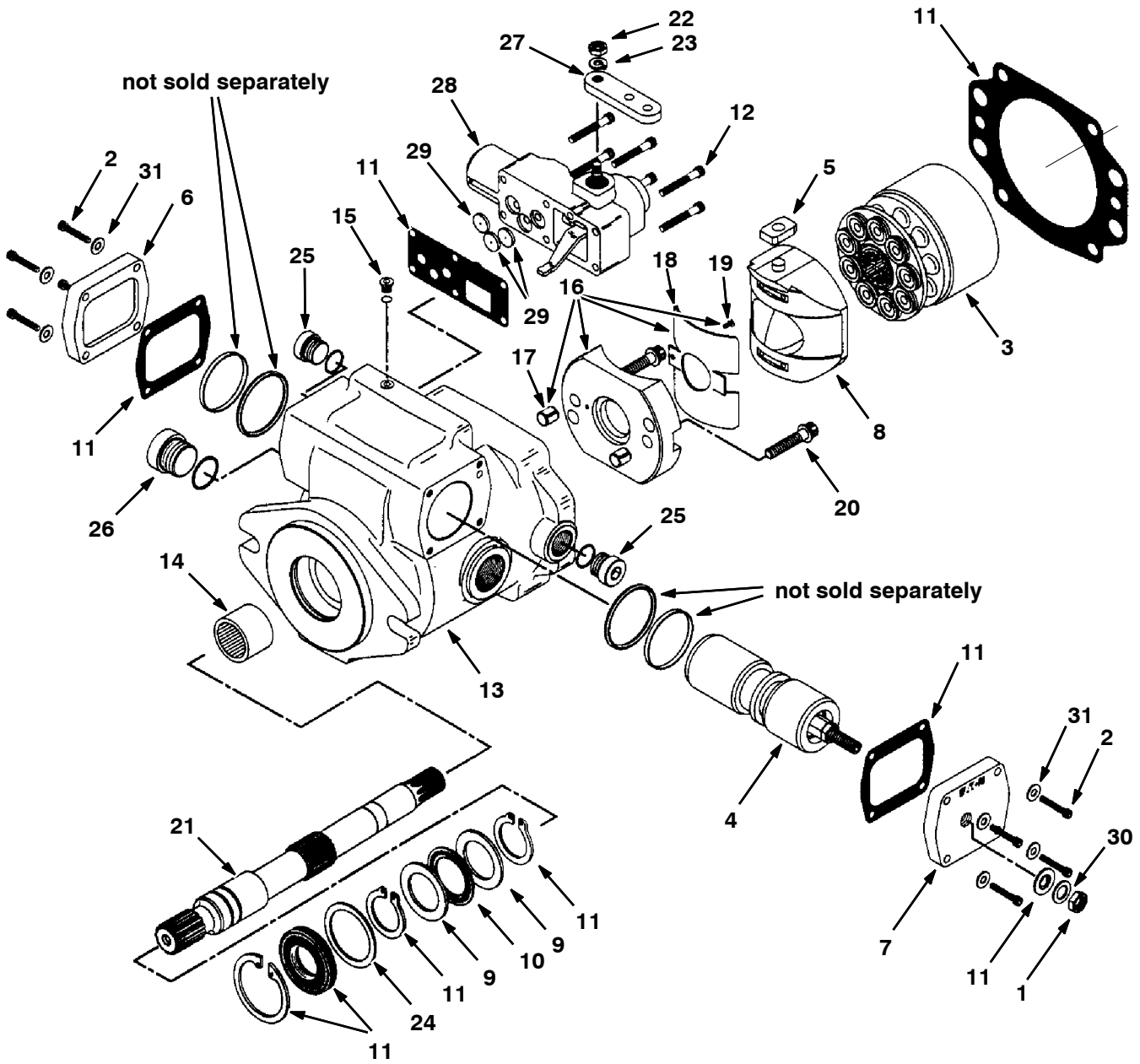


Fig. 7 - Hydraulic Piston Pump Breakdown, 1029255

NOTE: Piston Pump, TENNANT Part Number 1029255, includes Fig. 7, Fig. 8 and Fig. 9.

Ref.	Part No.	Serial Number	Description	Qty.
1	74184	(000000-) Nut, Jam	1
2	74223	(000000-) Screw, Cap	8
3	61882	(000000-) Rotating Kit	1
4	373407	(000000-) Piston, Servo	1
5	74254	(000000-) Follower, Piston	1
6	74256	(000000-) Plate, Cover En	1
7	74257	(000000-) Plate, Cover En	1
8	74258	(000000-) Camplate S/A En	1
9	74240	(000000-) Race, Bearing Ce	2
10	74210	(000000-) Bearing	1
11	373720	(000000-) Seal Kit, Pump En	1
12	74262	(000000-) Screw, Cap En	6
▽	373408	(000000-) Housing S/A En	1
▲	13 373409	(000000-) Housing En	1
▲	14 37462	(000000-) Bearing	1
▲	15 79742	(000000-) Plug S/A En	1
▽	16 373410	(000000-) Cradle Sub Assy En	1
▲	17 373218	(000000-) Dowel Bushing En	2
▲	18 373414	(000000-) Bushing En	1
▲	19 373415	(000000-) Cap Screw En	1
20	79747	(000000-) Cap Screw En	2
21	74265	(000000-) Shaft, Drive Sp En	1
22	74266	(000000-) Nut En	1
23	74267	(000000-) Lockwasher En	1
24	37460	(000000-) Washer	1
25	13907	(000000-) Plug #8	2
26	79779	(000000-) Plug,#12 O- Ring Ph	1
27	74272	(000000-) Arm, Control En	1
28	74273	(000000-) Control, Manual (See Breakdowns)	1
29	74276	(000000-) Orifice, Valve En	3
30	74280	(000000-) Washer En	1
31	74281	(000000-) Washer En	8

Fig. 8 - Hydraulic Piston Pump Breakdown, 1029255

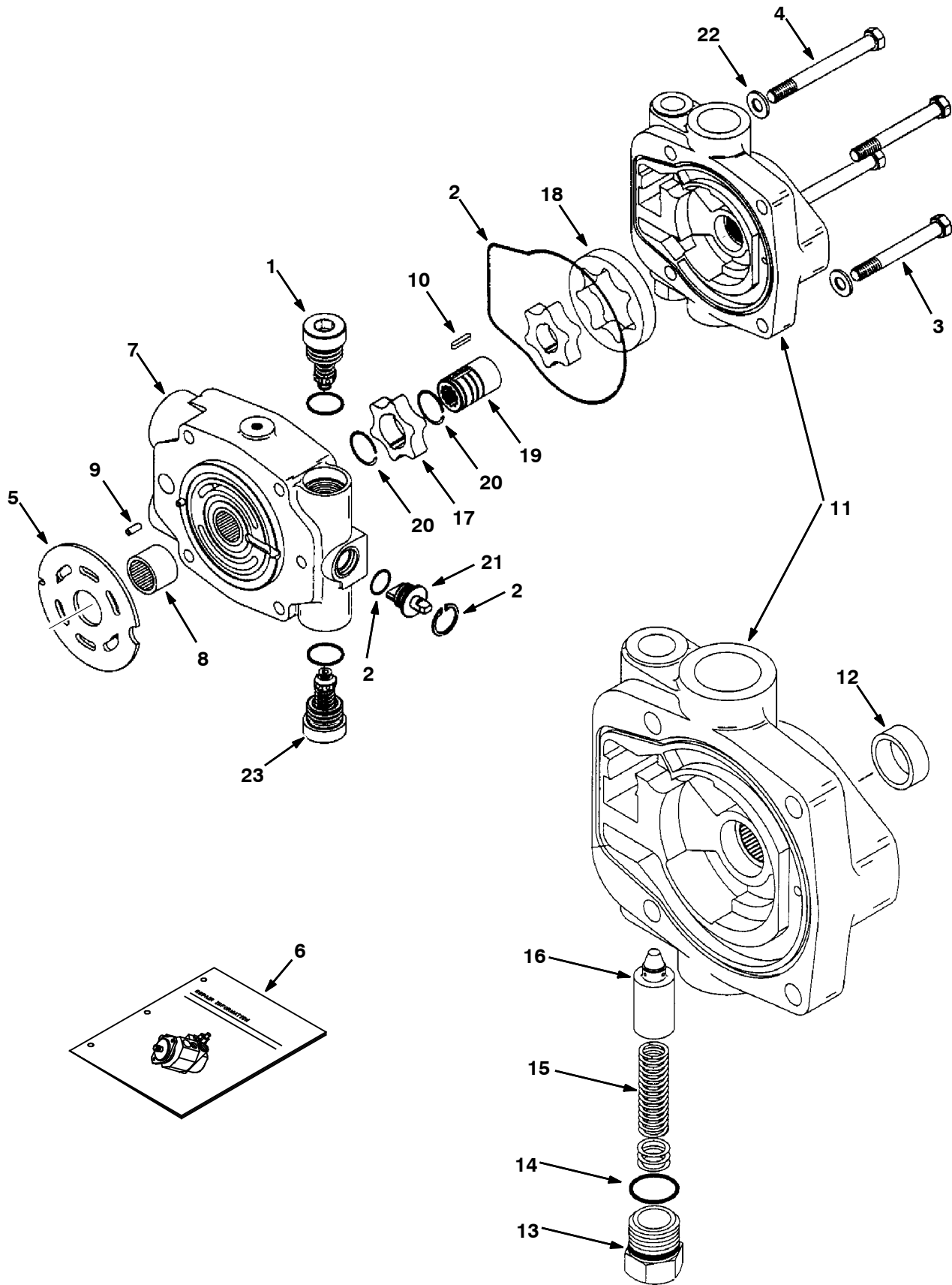


Fig. 8 - Hydraulic Piston Pump Breakdown, 1029255

NOTE: Piston Pump, TENNANT Part Number 1029255, includes .Fig. 7, Fig. 8 and Fig. 9.

Ref.	Part No.	Serial Number	Description	Qty.	
1	74259	(000000-) Relief Valve Sa En	1	
2	373720	(000000-) Seal Kit, Pump En	1	
3	373374	(000000-) Screw, Cap En	2	
4	373375	(000000-) Screw, Cap En	2	
5	61886	(000000-) Valve Plate	1	
6	373406	(000000-) Repair Info,Pmp En	1	
▽	7	373412	(000000-) Backplate S/A En	1
▲	8	34159	(000000-) Bearing	1
▲	9	79748	(000000-) Roll Pin En	1
10	373703	(000000-) Key En	1	
▽	11	74271	(000000-) Charge Pmp Adap En	1
▲	12	79749	(000000-) Bushing En	1
▲	13	79750	(000000-) Plug En	1
▲	14	79751	(000000-) Shims En	1
▲	15	79752	(000000-) Spring En	1
▲	16	79753	(000000-) Poppet En	1
17	74274	(000000-) Geroter,Ring In En	1	
18	74275	(000000-) Geroter,Ring Ot En	1	
19	74277	(000000-) Coupler En	1	
20	74278	(000000-) Ring, Retaining En	2	
21	373413	(000000-) Actuator, Valve En	1	
22	74282	(000000-) Washer En	4	
23	373678	(000000-) Valve, Relief, 3000psi	1	

Fig. 9 - Hydraulic Manual Control Breakdown, 74273

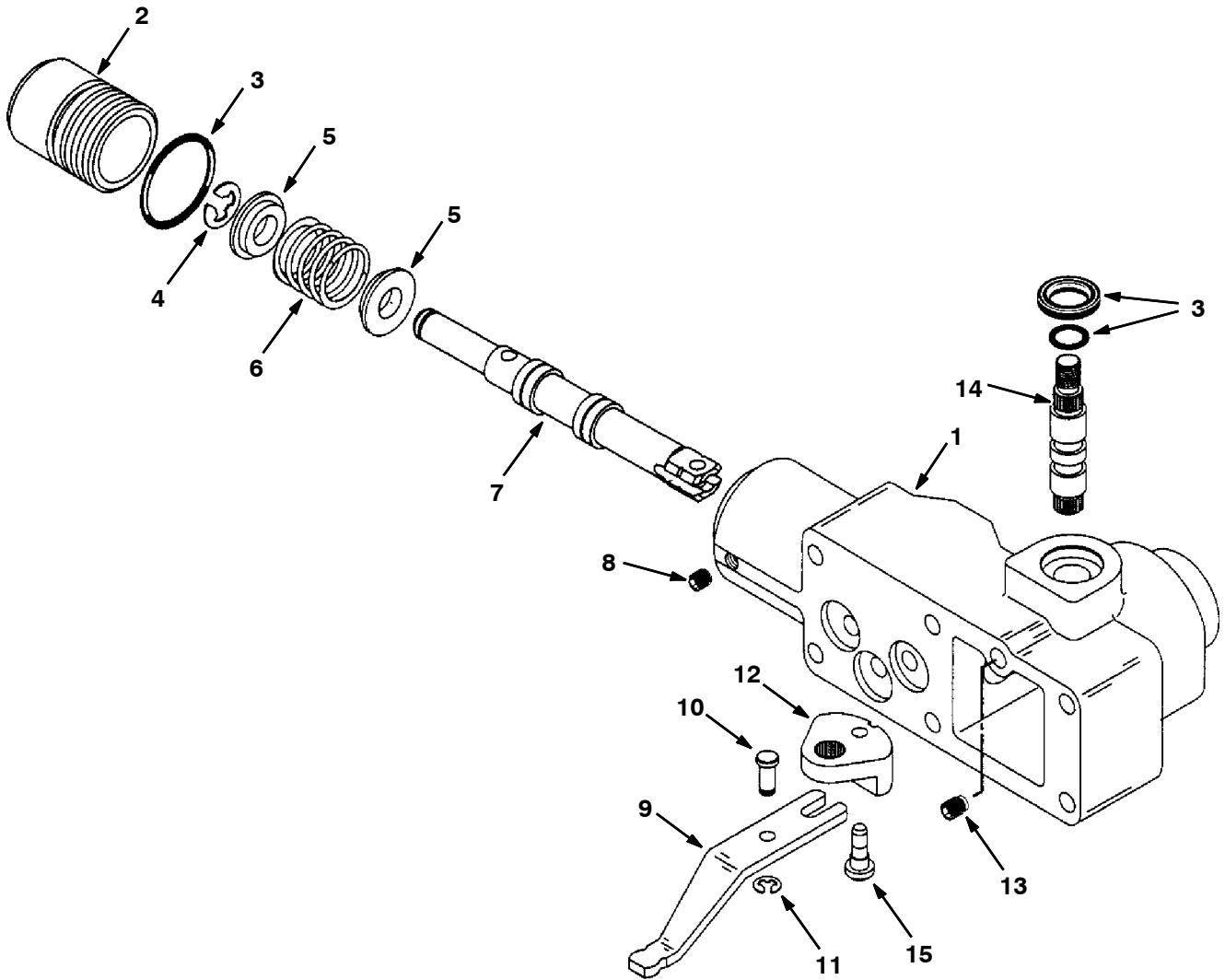


Fig. 9 - Hydraulic Manual Control Breakdown, 74273

NOTE: Piston Pump, TENNANT Part Number 1029255, includes .Fig. 7, Fig. 8 and Fig. 9.

	Ref.	Part No.	Serial Number	Description	Qty.
▽		74273	(000000-) Control, Manual	1
▲	1	79754	(000000-) Housing,Control	1
▲	2	79755	(000000-) Plug	1
▲	3	79776	(000000-) Seal Kit,Cntrl	1
▲	4	79756	(000000-) Ring, Retaining	1
▲	5	79757	(000000-) Spring,Retainer	2
▲	6	79758	(000000-) Spring, Cntr	1
▲	7	79759	(000000-) Valve Spool	1
▲	8	79760	(000000-) Screw, Set	1
▲	9	79761	(000000-) Link, Feedback	1
▲	10	79762	(000000-) Dowel Pin	1
▲	11	79763	(000000-) Ring, Retaining	1
▲	12	79764	(000000-) Bell Crank	1
▲	13	79765	(000000-) Screw, Set	1
▲	14	79766	(000000-) Shaft, Input	1
▲	15	79767	(000000-) Pin, Headed	1

Fig. 10 - Seat Breakdown, 9018735

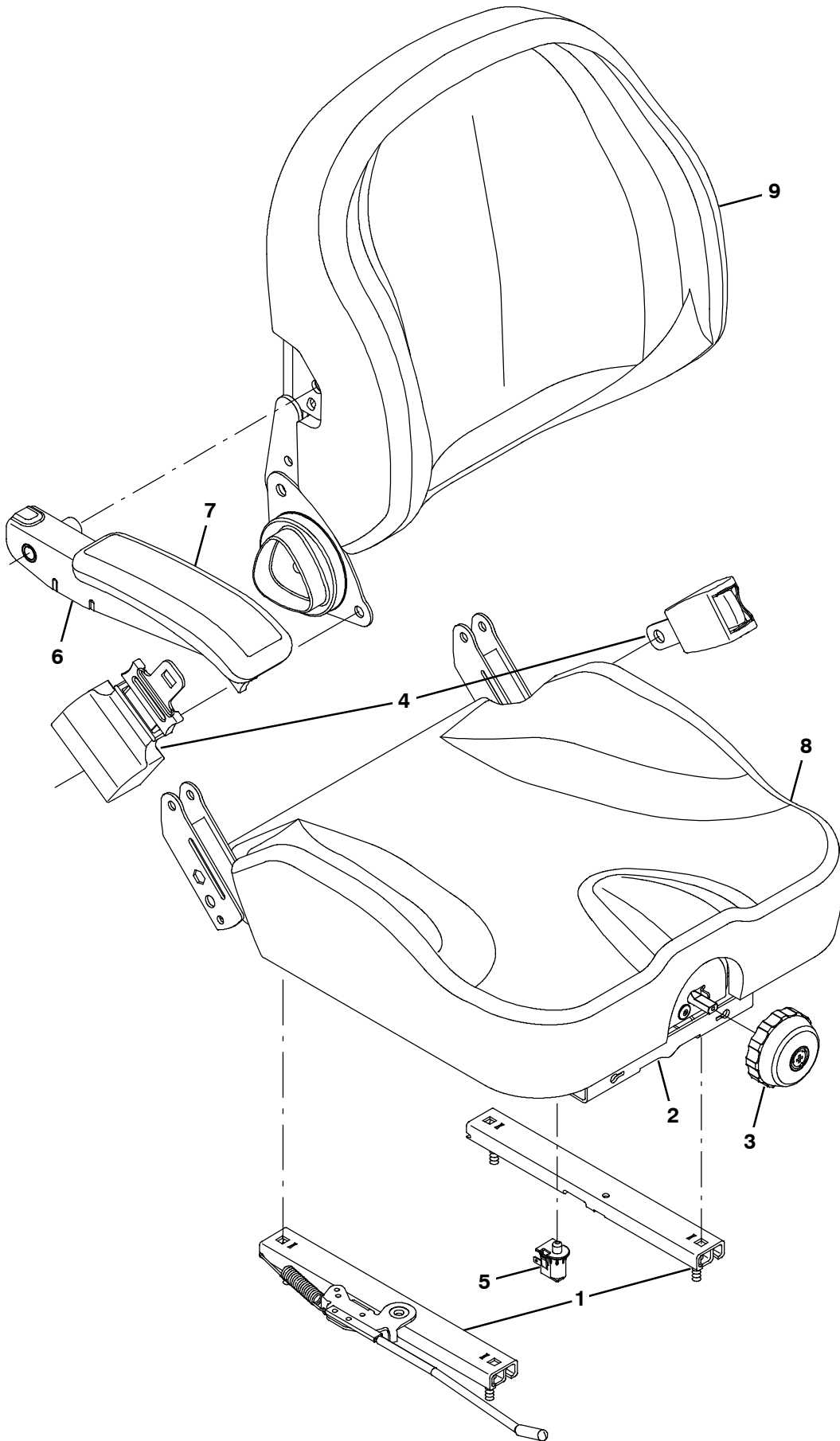


Fig. 10 - Seat Breakdown, 9018735

	Ref.	Part No.	Serial Number	Description	Qty.
▽		9018735	(000000-) Seat, Deluxe, Replmt [S30]	1
▲	1	9012585	(000000-) Track Assy, Slide	1
▲	2	9012587	(000000-) Bellows, Seat	1
▲	3	9012589	(000000-) Knobs, Adjmt, Weight	1
▲	4	9018734	(000000-) Seatbelt, Retract, Orange, Replmt	1
▲	5	9012591	(000000-) Switch, Seat	1
▲	6	9012592	(000000-) Armrest	1
▲	7	9012593	(000000-) Pad, Armrest	1
▲	8	9012594	(000000-) Cover, Cushion	1
▲	9	9012595	(000000-) Cover, Backrest	1

Fig. 11 - Hydraulic Motor Breakdown, 1044109

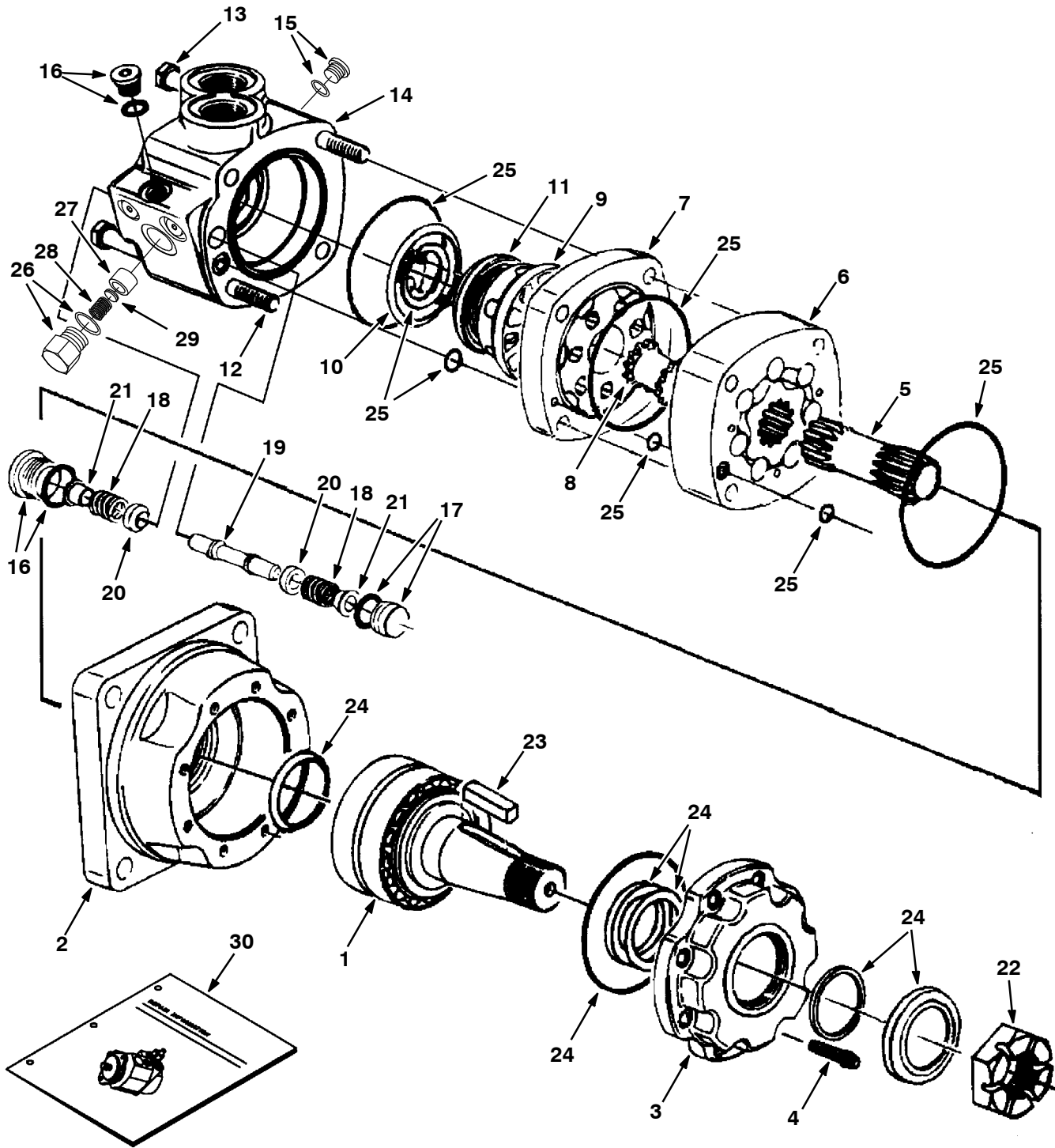
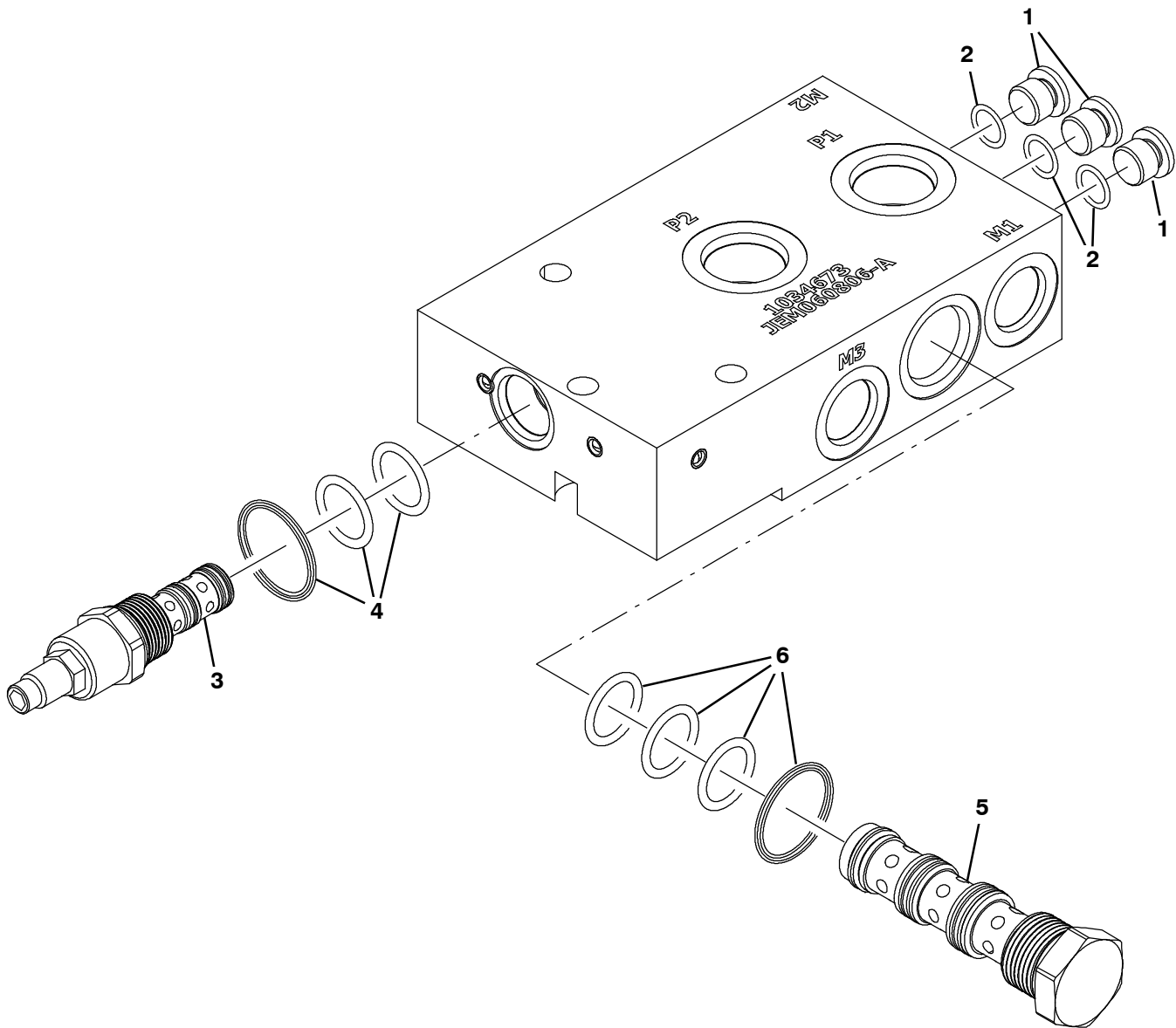


Fig. 11 - Hydraulic Motor Breakdown, 1044109

Ref.	Part No.	Serial Number	Description	Qty.
▽	1044109	(000000-) Motor, Hyd, Gear, Int 07.9 Bi- dir 3000	1
▲	1 74165	(000000-) Shaft, Motor, Hyd	1
▲	2 74166	(000000-) Housing, Brg, Motor, Hyd	1
▲	3 74167	(000000-) Retainer, Motor, Hyd	1
▲	4 74168	(000000-) Screw, Cap, Motor, Hyd	8
▲	5 373713	(000000-) Drive, Main	1
▲	6 373714	(000000-) Geroler, Motor, Hyd	1
▲	7 74122	(000000-) Plate, Valve, Motor, Hyd	1
▲	8 52405	(000000-) Valve, Motor, Hyd	1
▲	9 373715	(000000-) Valve	1
▲	10 34178	(000000-) Spring, Motor, Hyd	2
▲	11 38968	(000000-) Ring, Motor, Hyd	1
▲	12 373716	(000000-) Bolt, Motor, Hyd	3
▲	13 373437	(000000-) Bolt, Motor, Hyd	1
▲	14 373717	(000000-) Housing, Valve	1
▲	15 373298	(000000-) Plug	1
▲	16 373545	(000000-) Plug, Pump, Hyd, Gear	2
▲	17 373299	(000000-) Plug	1
▲	18 373291	(000000-) Spring	2
▲	19 373543	(000000-) Piston, Pump, Hyd, Gear	1
▲	20 373226	(000000-) Poppet, Pump, Hyd, Gear	2
▲	21 373236	(000000-) Sleeve, Dashpo, Pump, Hyd, Gear	2
▲	22 45622	(000000-) Nut, Motor, Hyd	1
▲	23 45623	(000000-) Key, Motor, Hyd	1
▲	24 79828	(000000-) Seal Kit, Shaft [CI]	1
▲	25 33580	(000000-) Seal Kit, Rear [CI]	1
▲	26 373718	(000000-) Pug Assy	1
▲	27 373542	(000000-) Poppet	1
▲	28 373719	(000000-) Spring	1
▲	29 373548	(000000-) Shim	1
	30 74249	(000000-) Instr, Repair, Motor, Hyd, Gear	1

Fig. 12 - Hydraulic Flow Divider Valve Breakdown, 1033685



354823

Ref.	Part No.	Serial Number	Description	Qty.
▽	1033685	(000000-) Valve, Hyd, Flow Divider, Propel [4w]	1
▲▽	1 13904	(000000-) Fitting, Plug, Org, #6, Valve [Cec]	3
▲▲	2 77005	(000000-) Seal, Org, .078 X 00.47id 06	1
▲▽	3 373705	(000000-) Valve, Hyd, Flow Cntrl	1
▲▲	4 373646	(000000-) Seal Kit, Cartridge	1
▲▽	5 373706	(000000-) Valve, Hyd, Flow Divider	1
▲▲	6 373655	(000000-) Seal Kit, Cartridge	1

SECTION 5

Contents	Page
Fig. 1 - Crankcase Group	5-2
Fig. 2 - Oil Pan Group	5-4
Fig. 3 - Cylinder Head Group	5-5
Fig. 4 - Gear Case Group	5-6
Fig. 5 - Water Pump Group	5-8
Fig. 6 - Main Bearing Case Group	5-9
Fig. 7 - Head Cover Group	5-10
Fig. 8 - Manifold Group	5-11
Fig. 9 - Valve, Rocker Arm Group	5-12
Fig. 10 - Fuel Camshaft Group	5-13
Fig. 11 - Camshaft Group	5-14
Fig. 12 - Piston and Crankshaft Group	5-16
Fig. 13 - Flywheel Group	5-18
Fig. 14 - Starter Breakdown, 74405	5-19
Fig. 15 - Nozzle Holder and Glow Plug Group .	5-20
Fig. 16 - Nozzle Holder Breakdown	5-21
Fig. 17 - Injection Pump Group	5-22
Fig. 18 - Injection Pump Breakdown	5-24
Fig. 19 - Idling Group	5-26
Fig. 20 - Speed Control Plate Group	5-27
Fig. 21 - Governor Group	5-28
Fig. 22 - Water Flange Group	5-29

Fig. 1 - Crankcase Group

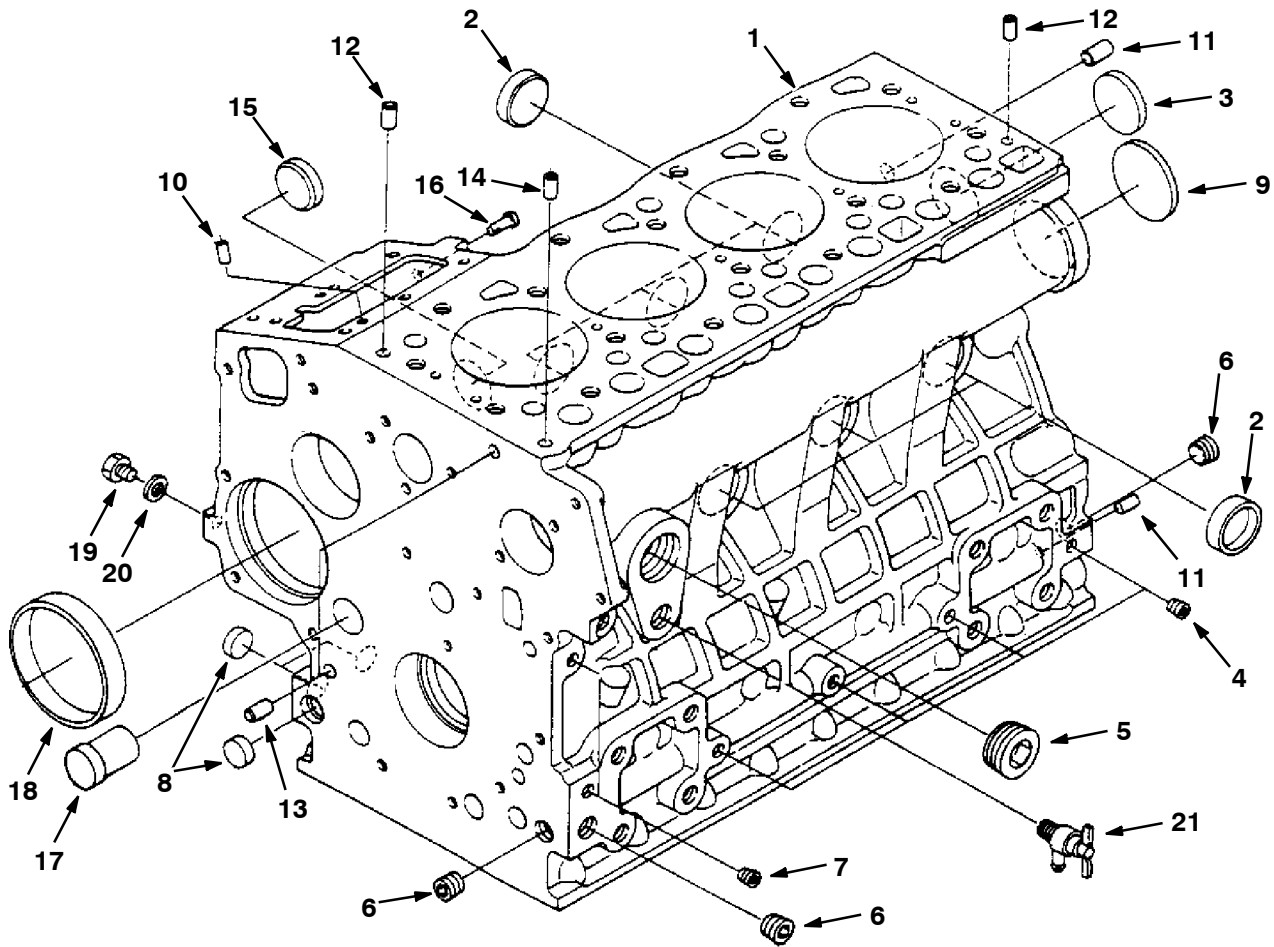
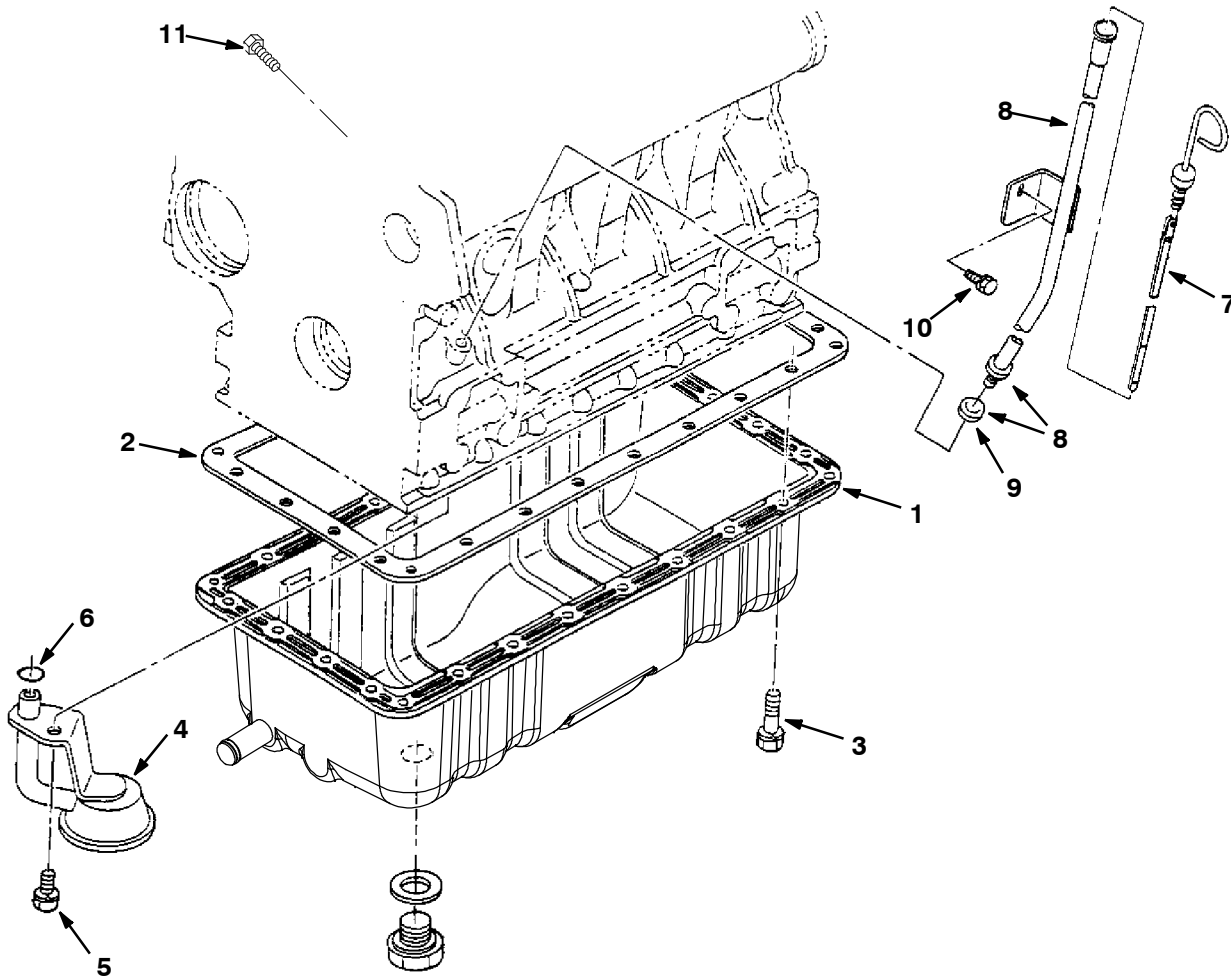


Fig. 1 - Crankcase Group

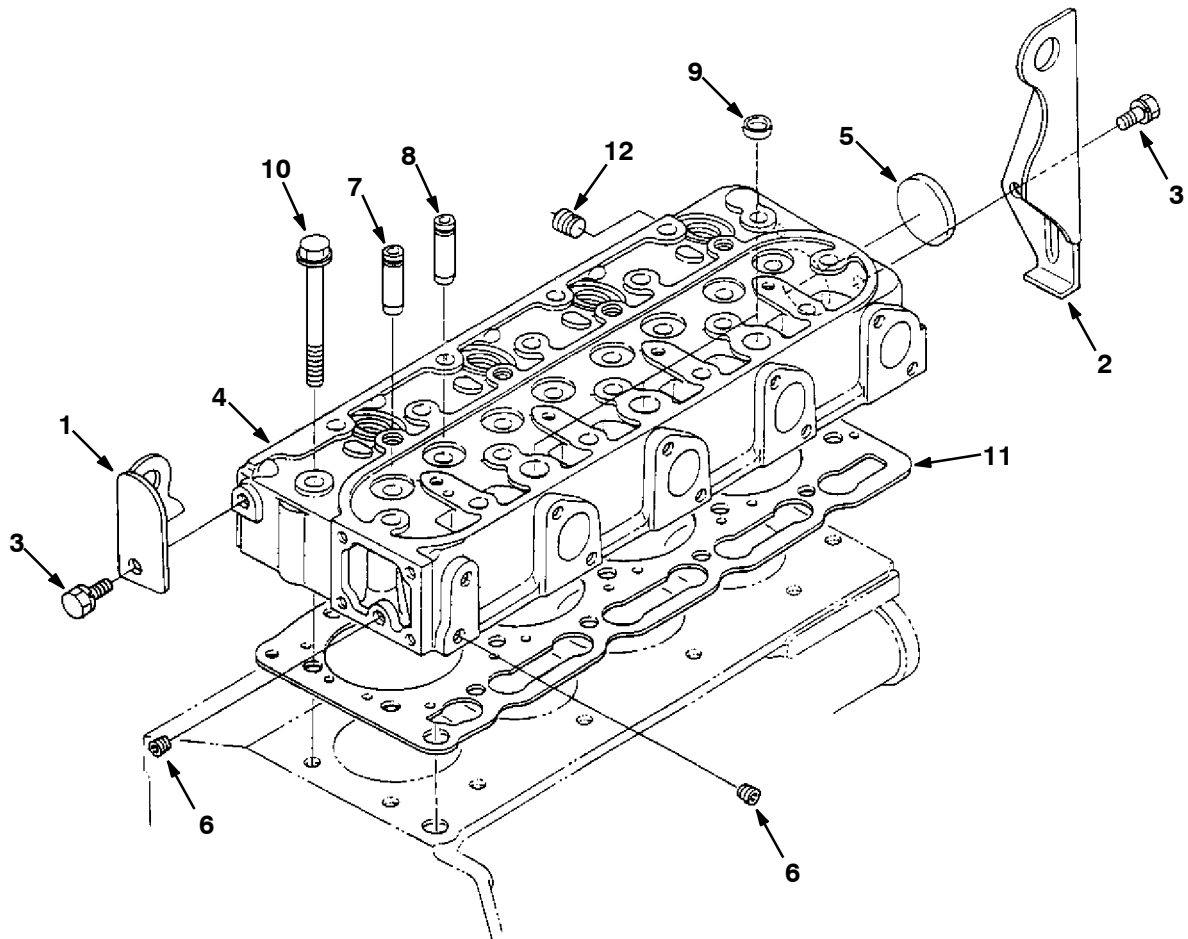
	Ref.	Part No.	Description	Qty.
▽	1	9004335	Crankcase, Complt [Ku]	1
▲	2	70998	Plug, Cup, Sealing [Ku]	6
▲	3	39087	Plug, Cup, Sealing [Ku]	1
▲	4	39088	Fitting, Pipe, Plug [Ku]	4
▲	5	70999	Plug, Eng [Ku]	1
▲	6	71985	Fitting, Pipe, Plug [Ku]	3
▲	7	39051	Fitting, Pipe, Plug [Ku]	2
▲	8	361436	Plug, Cup, Sealing [Ku]	3
▲	9	71986	Plug, Cup, Sealing [Ku]	1
▲	10	71987	Pin, Dowel [Ku]	2
▲	11	71988	Pin, Dowel [Ku]	2
▲	12	9004431	Pin, Straight [Ku]	2
▲	13	71990	Pin, Eng [Ku]	2
▲	14	71991	Tube, Pin [Ku]	1
▲	15	71992	Plug, Cup, Sealing [Ku]	1
▲	16	9004337	Pin, Start, Spring	1
▲	17	71993	Plug, Eng [Ku]	1
▲	18	70887	Bushing, Gear, Gov [Ku]	1
▲	19	39062	Fitting, Plug [Ku]	1
▲	20	393570	Gasket	1
	21	70888	Fitting, Draincock [Ku]	1

Fig. 2 - Oil Pan Group



Ref.	Part No.	Description	Qty.
1	1023144	Pan, Oil, Dsl	1
2	70889	Gasket, Pan, Oil	1
3	9004338	Bolt [Ku]	26
4	9003888	Filter, Oil [Ku]	1
5	39094	Screw, Hex [Ku]	1
6	9004339	O- Ring [Ku]	1
7	9004435	Gauge, Oil [Ku]	1
▽ 8	361428	Dipstick, Oil [Ku]	1
▲ 9	361366	Seal, Org [Ku]	1
10	39073	Screw, Hex [Ku]	1
	66187	Gasket Set	1
11	9004348	Plug, Gauge, Oil [Ku]	1

Fig. 3 - Cylinder Head Group



Ref.	Part No.	Description	Qty.	
	1	71996	Ear, Lifting, Eng [Ku]	1
	2	71997	Ear, Lifting, Eng [Ku]	1
	3	39073	Screw, Hex [Ku]	2
▽	4	9004340	Head, Cylinder [Ku]	1
▲	5	393504	Cap, Sealing	1
▲	6	39088	Fitting, Pipe, Plug [Ku]	2
▲	7	372906	Guide, Valve, Inlet	4
▲	8	372907	Guide, Valve, Exhaust	4
▲	9	71999	Plug, Cup, Sealing [Ku]	3
	10	70897	Screw, Hex, Head, Cyl [Ku]	18
	11	9004341	Gasket, Head, Cyl [Ku]	1
		66194	Gasket Set, Upper	1
	12	72010	Fitting, Pipe, Plug [Ku]	1

Fig. 4 - Gear Case Group

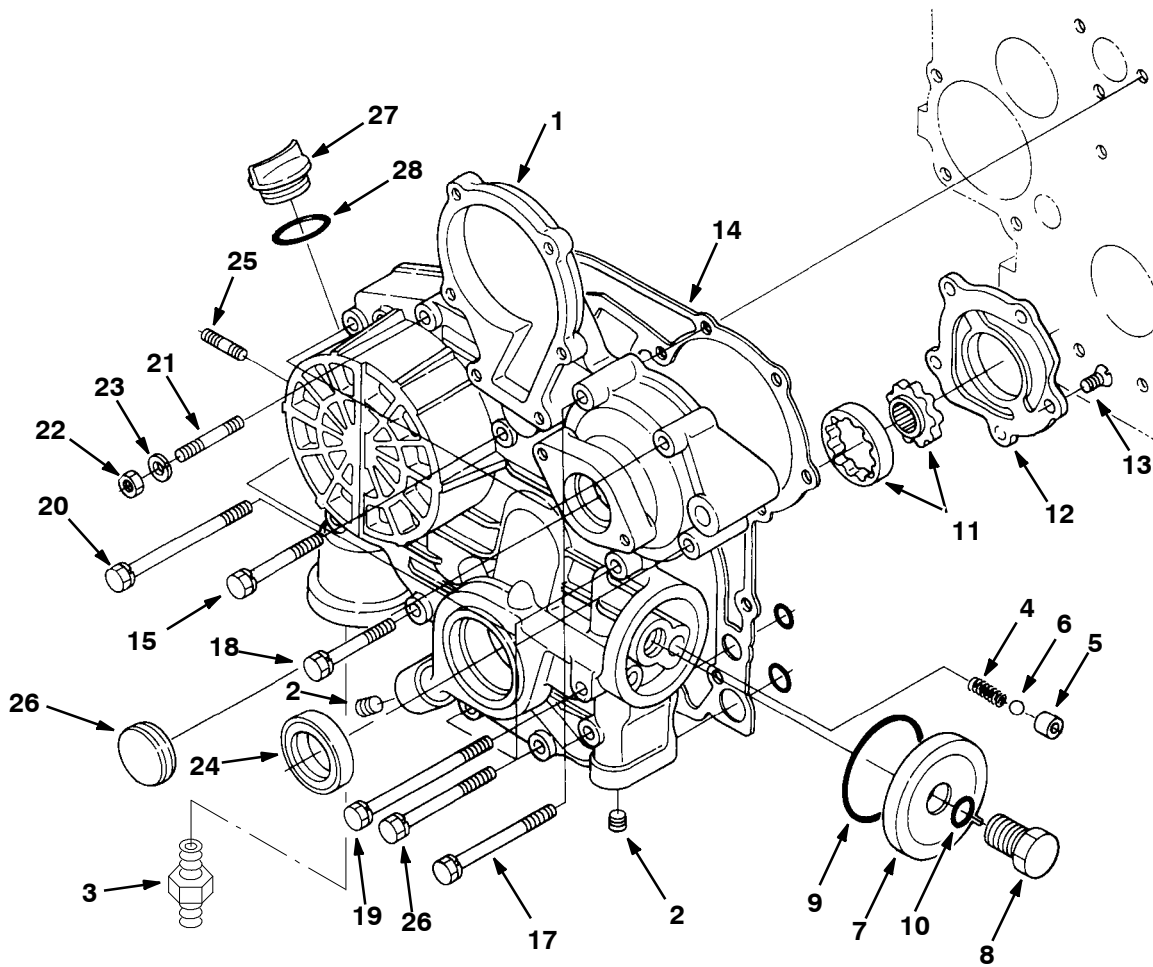
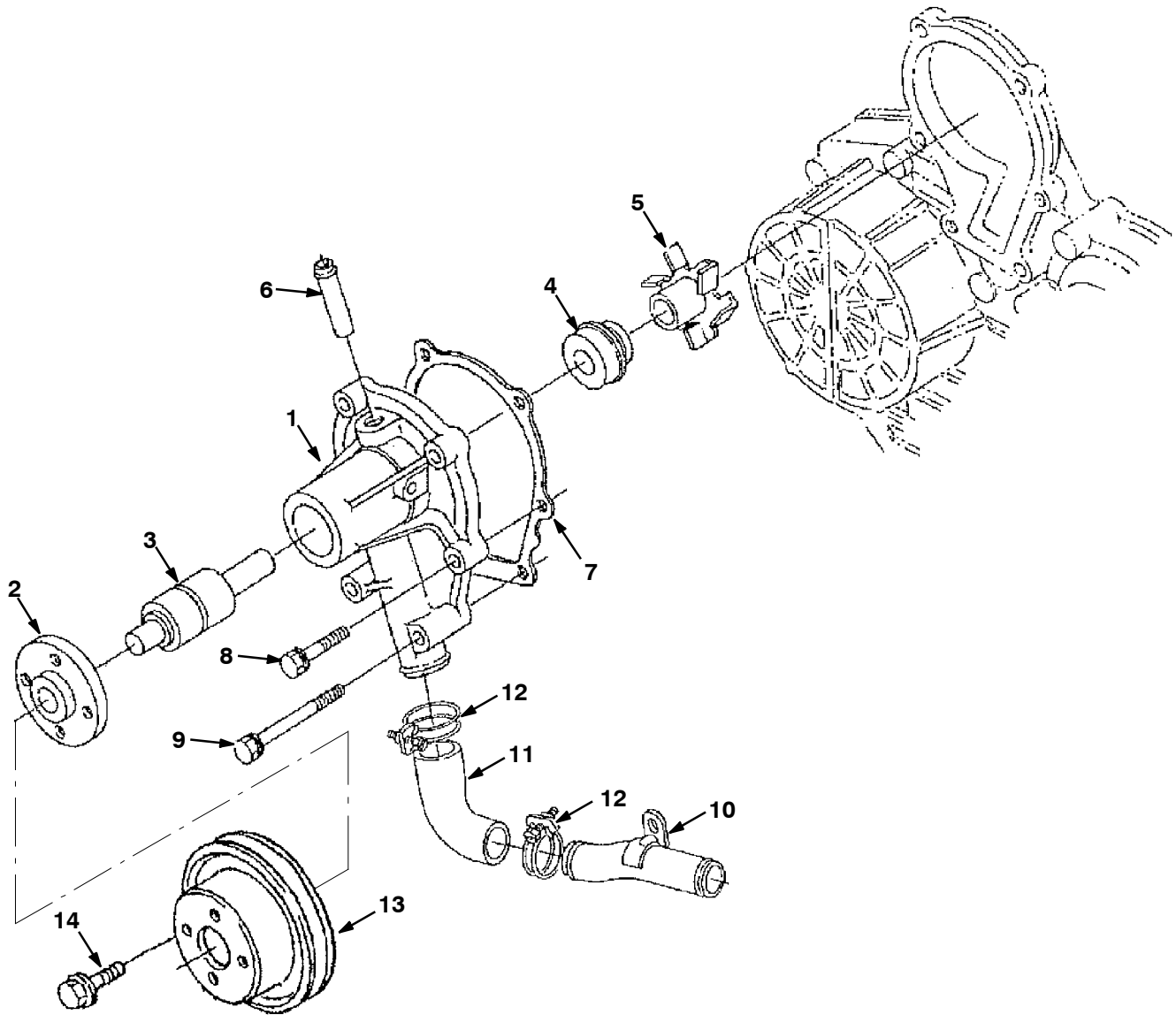


Fig. 4 - Gear Case Group

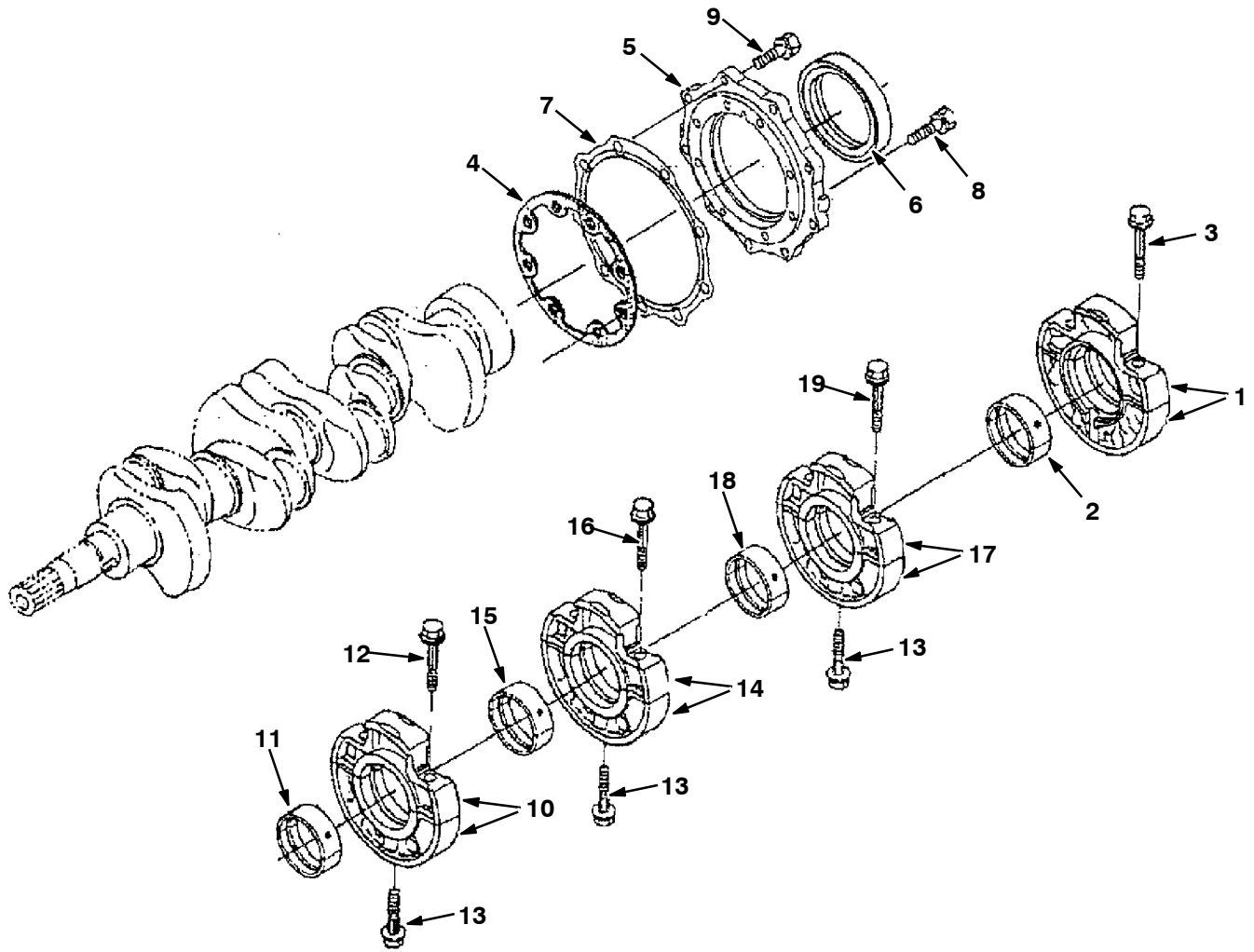
	Ref.	Part No.	Description	Qty.
▽	1	9004432	Crankcase, Comp [Ku]	1
▲	2	361401	Fitting, Pipe, Plug [Ku]	5
▲	3	12916	Fitting, Fltr, Oil [Ku]	1
▲	4	70900	Spring, Cmpr, Relief [Ku]	1
▲	5	70901	Tube, Seat, Valve, Oil [Ku]	1
▲	6	70902	Ball, Relief, Oil [Ku]	1
▲	7	70905	Cover	1
▲	8	70906	Bolt	1
▲	9	70907	Seal, Org [Ku]	1
▲	10	70911	Seal, Org	1
▲	11	70903	Pump, Oil, Eng [Ku]	1
▲	12	70904	Cover, Pump, Oil	1
	13	72013	Screw, Flt [Ku]	5
	14	70912	Gasket, Case, Gear [Ku]	1
	15	72993	Screw, Hex [Ku]	3
	16	384872	Bolt	4
	17	72994	Screw, Hex [Ku]	2
	18	72014	Screw, Hex [Ku]	1
	19	72015	Screw, Hex [Ku]	2
	20	72016	Bolt	1
	21	9004346	Stud [Ku]	1
	22	39121	Nut, Hex [Ku]	1
	23	39065	Washer, Lock, Split [Ku]	1
	24	361389	Seal, Oil, Front [Ku]	1
	25	9004347	Stud [Ku]	2
	26	72019	Cover	1
	27	361374	Cap, Filler, Oil [Ku]	1
	28	70913	Seal, Org	1

Fig. 5 - Water Pump Group



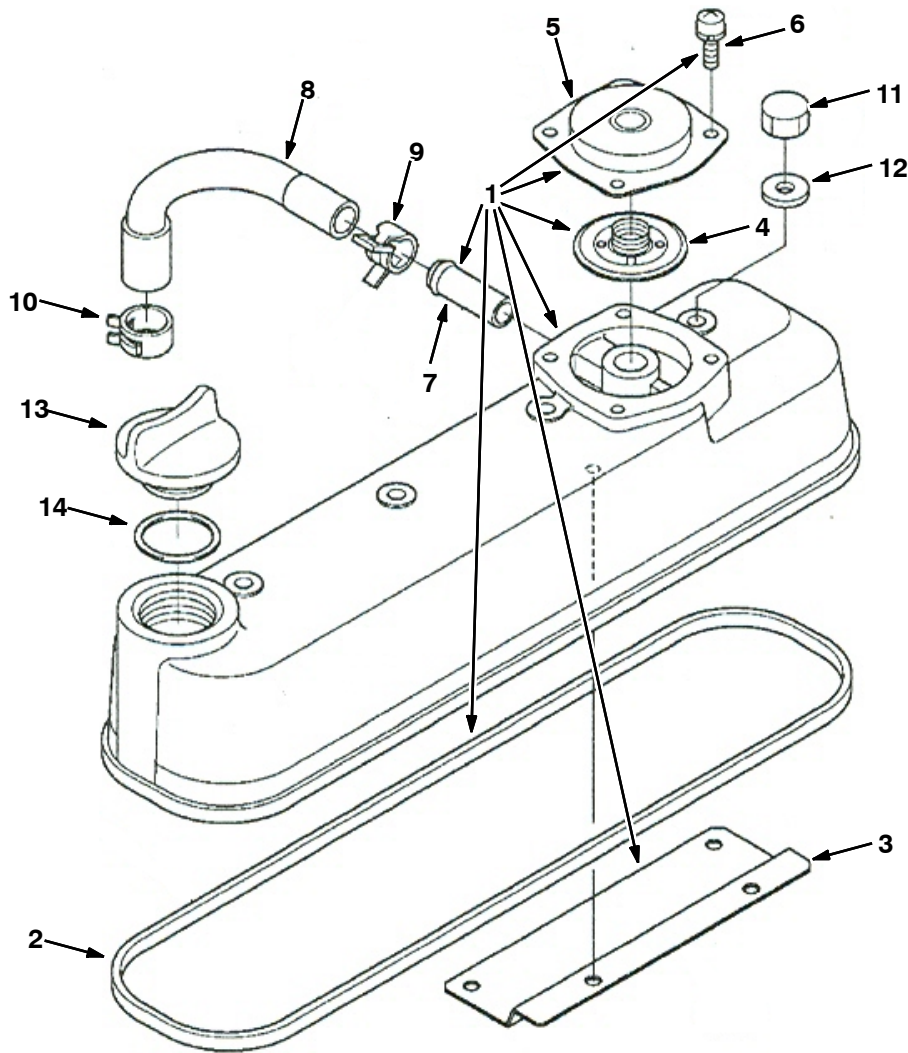
Ref.	Part No.	Description	Qty.	
▽	1	9004402	Pump, Water Assy [Ku]	1
▲	2	70919	Flange, Pump, Water [Ku]	1
▲	3	9004403	Bearing [Ku]	1
▲	4	9004404	Seal, Mechanical Assy [Ku]	1
▲	5	9004405	Impeller, Pump, Water [Ku]	1
▲	6	361440	Fitting, Pipe, Water [Ku]	1
	7	70920	Gasket, Pump, Water [Ku]	1
	8	9004406	Bolt [Ku]	4
	9	9004407	Bolt [Ku]	2
	10	9003868	Pipe, Water [Kubota]	1
	11	9003869	Pipe, Water [Kubota]	1
	12	9003870	Clamp [Kubota]	2
	13	55847	Sheave, Fan [Ku]	1
	14	393588	Bolt, Flng	4

Fig. 6 - Main Bearing Case Group



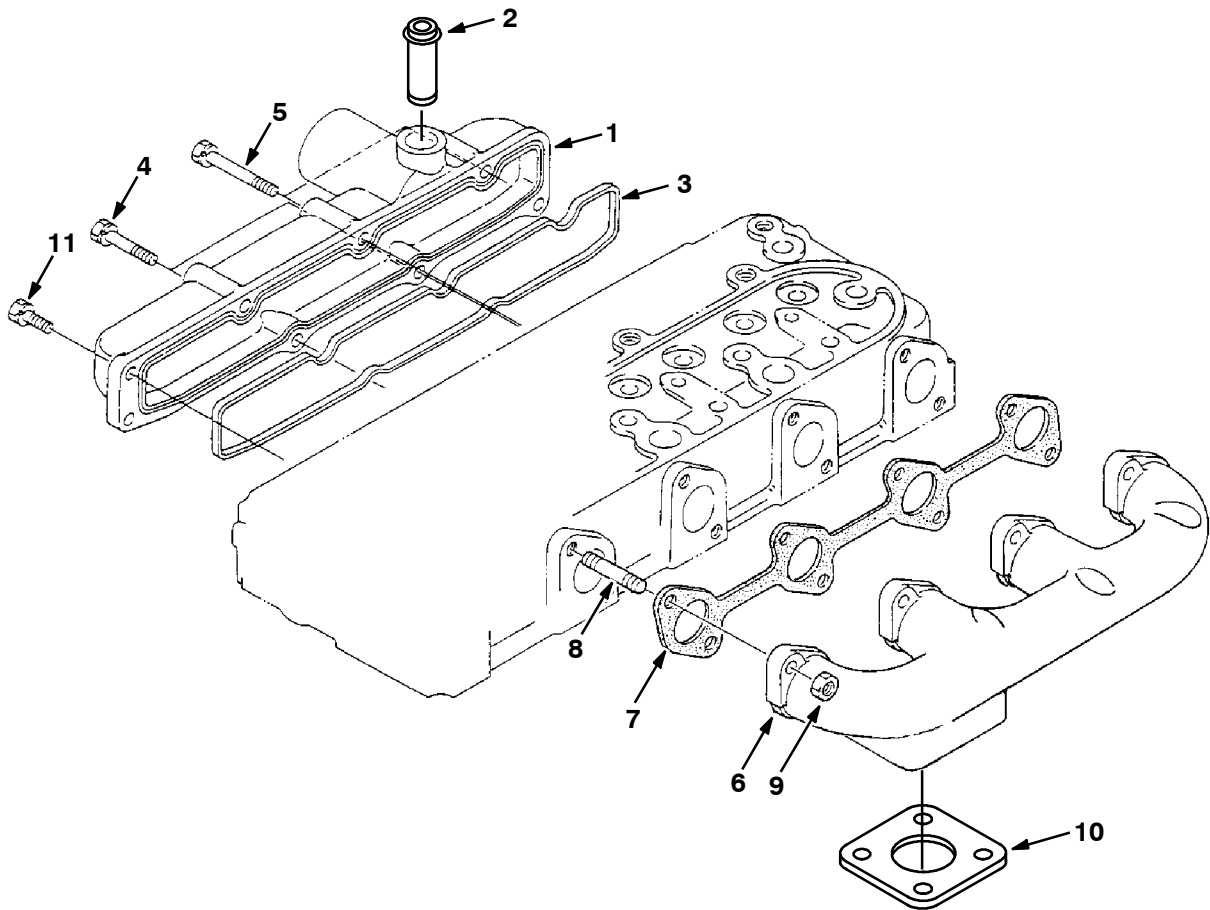
Ref.	Part No.	Description	Qty.	
▽	1	9004349	Bearing, Case [Ku]	1
▲	2	9004436	Crankshaft, Metal [Ku]	1
▲	3	72998	Screw, Hex, Case, Brg, Main [Ku]	2
	4	9004350	Gasket, Bearing, Case [Ku]	1
	5	70923	Cover, Brg Case, Eng [Ku]	1
	6	70924	Seal, Oil, Rear [Ku]	1
	7	70925	Gasket, Case, Gear [Ku]	1
	8	384871	Bolt	8
	9	371017	Bolt	9
▽	10	9004437	Case, Main, Brg Assy	1
▲	11	70948	Bearing, Cshft, Std [Ku]	1
▲	12	72998	Screw, Hex, Case, Brg, Main [Ku]	2
	13	73479	Screw, Hex, Case, Brg, Main [Ku]	3
▽	14	9004438	Case, Main, Brg Assy	1
▲	15	70948	Bearing, Cshft, Std [Ku]	1
▲	16	72998	Screw, Hex, Case, Brg, Main [Ku]	2
▽	17	9004439	Case, Main, Brg Assy	1
▲	18	70948	Bearing, Cshft, Std [Ku]	1
▲	19	72998	Screw, Hex, Case, Brg, Main [Ku]	2

Fig. 7 - Head Cover Group



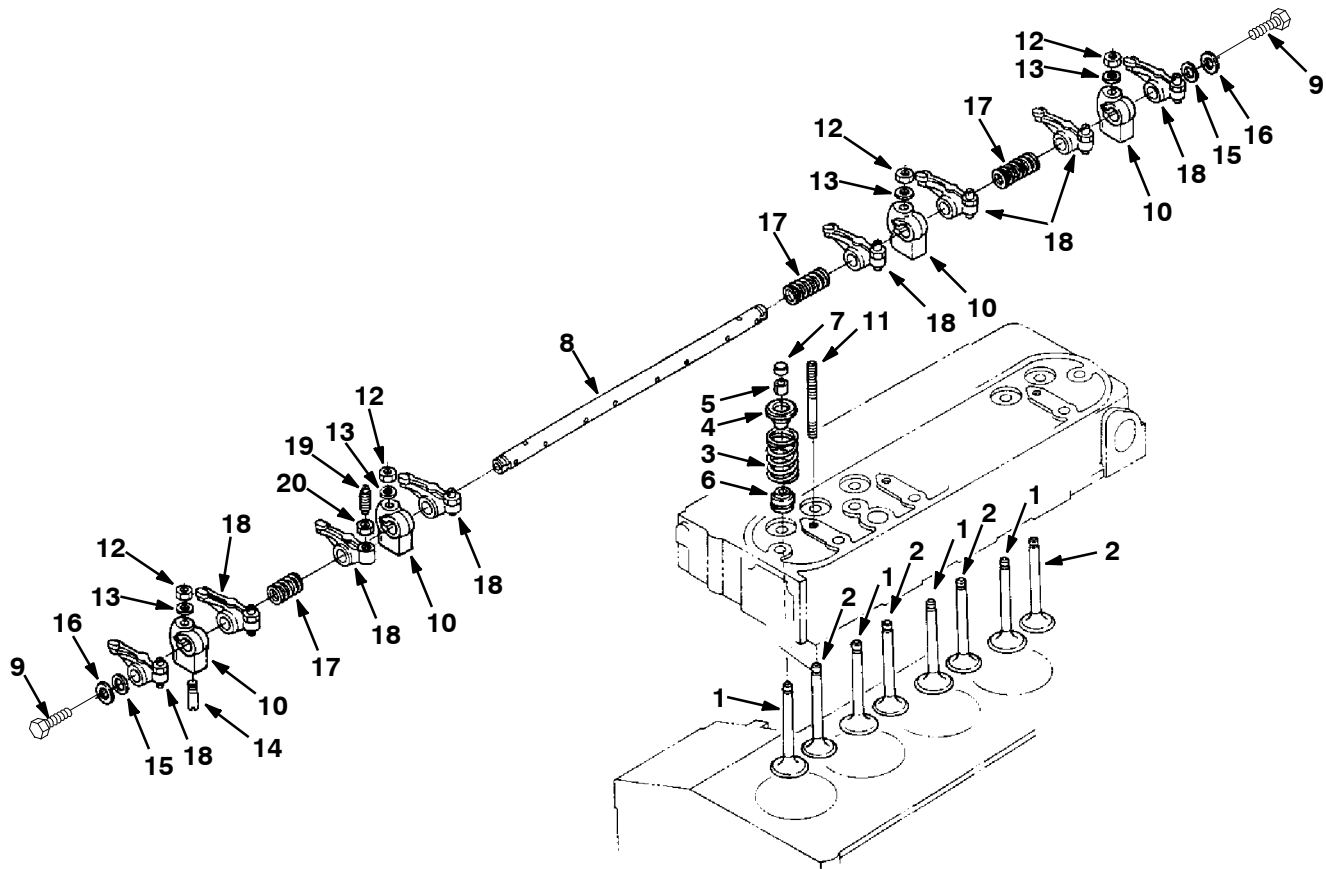
Ref.	Part No.	Description	Qty.	
▽	1	9004433	Cover, Cyl Head Assy [Ku]	1
▲	2	70929	Gasket, Cover, Head, Cyl [Ku]	1
▲	3	372912	Shield, Breather	1
▲	4	372928	Valve, Breather, Complt	1
▲	5	384874	Cover, Breather	1
▲	6	73482	Screw, Hex, W/ Washer [Ku]	4
▲	7	30125	Pipe, Water	1
	8	372913	Tube, Breather	1
	9	372901	Clamp, Hose	1
	10	372904	Clamp, Hose	1
	11	73483	Nut, Hex, Cap	4
	12	73484	Gasket, F/ Bolt [Ku]	4
	13	361374	Cap, Filler, Oil [Ku]	1
	14	70913	Seal, Org	1

Fig. 8 - Manifold Group



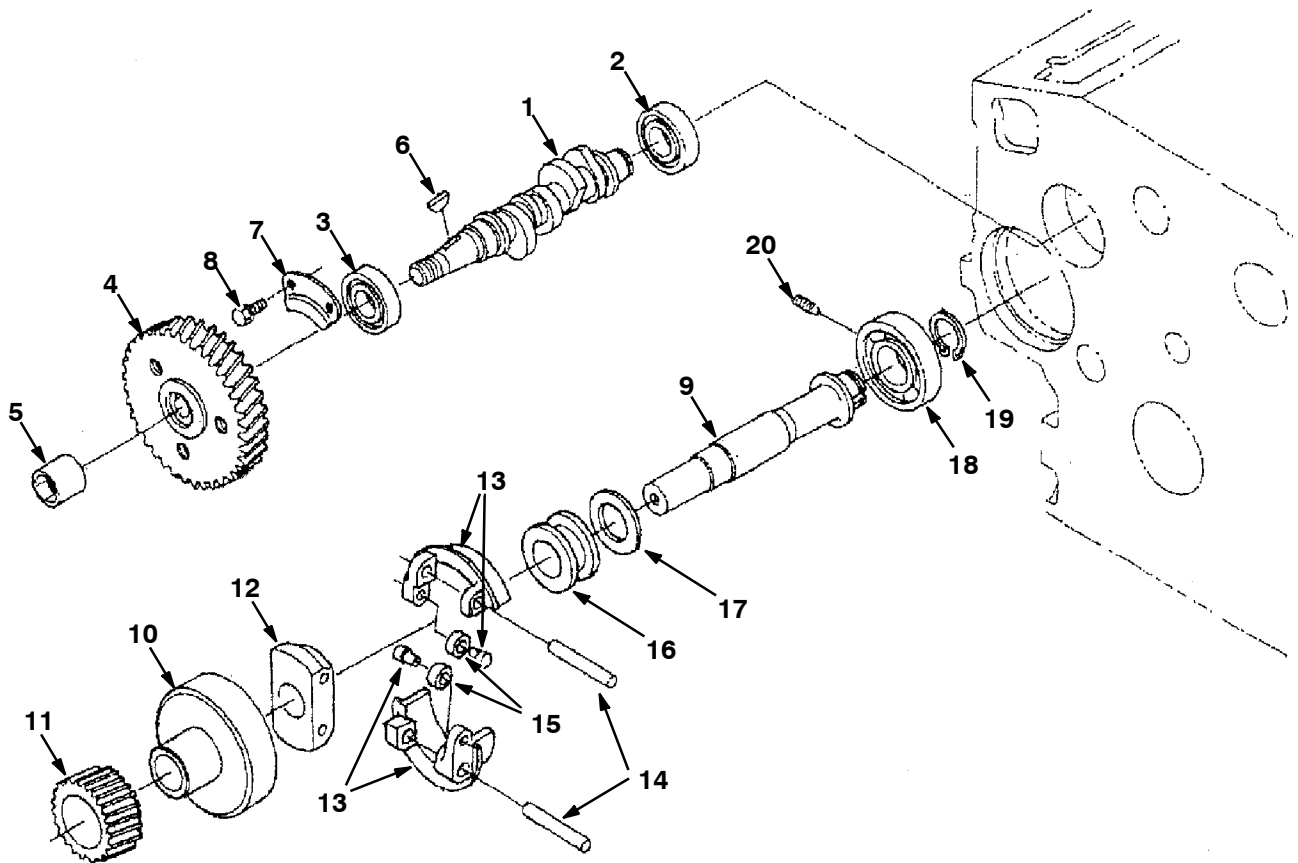
Ref.	Part No.	Description	Qty.	
▽	1	372905	Manifold Assy, Inlet	1
▲	2	73481	Pipe, Breather [Ku]	1
▲	3	70934	Gasket, Manifold, Intake [Ku]	1
	4	9004406	Bolt [Ku]	2
	5	384872	Bolt	3
	6	73487	Manifold, Exhaust [Ku]	1
	7	70935	Gasket, Manifold, Exhaust	1
	8	73488	Stud [Ku]	8
	9	73489	Nut	8
	10	51332	Gasket [Ku]	1
	11	40409	Screw, Hex [Ku]	3

Fig. 9 - Valve, Rocker Arm Group



Ref.	Part No.	Description	Qty.	
1	70936	Valve, Intake [Ku]	4	
2	70937	Valve, Exhaust [Ku]	4	
3	73491	Spring, Valve [Ku]	8	
4	73492	Retainer, Spring, Valve [Ku]	8	
5	73493	Retainer, Spring [Ku]	8	
6	73494	Seal, Stem, Valve [Ku]	8	
7	361392	Cap, Valve [Ku]	8	
8	9004409	Shaft, Rocker, Arm [Ku]	1	
9	393598	Bolt	2	
10	73497	Bracket, Mtg, Rocker Arm [Ku]	4	
11	73498	Stud [Ku]	4	
12	73499	Nut, Hex [Ku]	4	
13	73500	Washer, Flat [Ku]	4	
14	9004410	Pin, Spring [Ku]	1	
15	73502	Washer, Shaft, Rocker [Ku]	2	
16	361589	Washer, Flat [Ku]	2	
17	73504	Spring, Cmpr, Rocker [Ku]	3	
▽	18	73506	Arm, Rocker [Ku]	8
▲	19	73507	Screw, Adj, Rocker Arm [Ku]	8
▲	20	73508	Nut, Hex [Ku]	8

Fig. 10 - Fuel Camshaft Group



Ref.	Part No.	Description	Qty.	
1	84636	Camshaft	1	
2	9004368	Bearing, Ball [Ku]	1	
3	9004369	Bearing, Ball [Ku]	1	
4	9004445	Gear, Injection, Pump [Ku]	1	
5	73593	Nut, Cap, Cam [Ku]	1	
6	73594	Key, Woodruff [Ku]	1	
7	73596	Stopper, Fuel [Ku]	1	
8	41973	Bolt, Hex [Ku]	2	
▽	73597	Shaft, Govnr	1	
▲	9	9004371	Shaft, Governor [Ku]	1
▲	10	73598	Holder, Gear [Ku]	1
▲	11	73599	Gear, Govnr [Ku]	1
▲	12	73600	Holder, Govnr [Ku]	1
▲	13	73601	Weight, Comp, Govnr [Ku]	2
▲	14	73602	Shaft, Govnr [Ku]	2
▲	15	9004372	Shaft, Governor, Weight [Ku]	2
▲	16	70977	Sleeve, Govnr [Ku]	1
▲	17	70978	Washer, Thrust [Ku]	1
18	9004373	Bearing, Ball [Ku]	1	
19	73603	Ring, Snap [Ku]	1	
20	73604	Screw, Set [Ku]	1	

Fig. 11 - Camshaft Group

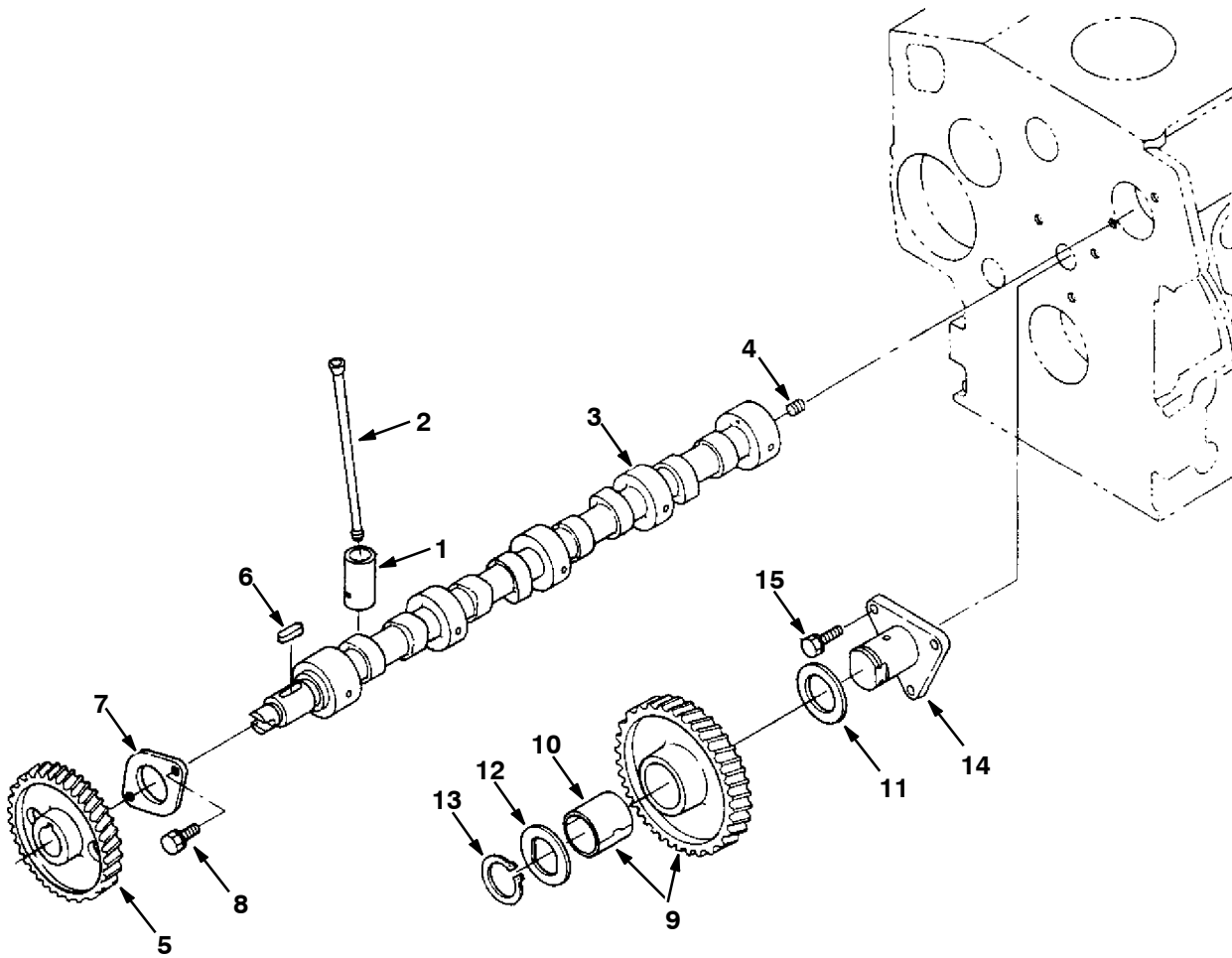


Fig. 11 - Camshaft Group

Ref.	Part No.	Description	Qty.	
	1	9004358	Tappet [Ku]	8
	2	73509	Rod, Push, Valve [Ku]	8
▽	3	9004440	Crankshaft Assy	1
▲	4	39197	Screw, Set [Ku]	1
▲	5	73511	Gear, Camshaft [Ku]	1
▲	6	73512	Key [Ku]	1
▲	7	73513	Stopper, Cam [Ku]	1
▲	8	41973	Bolt, Hex [Ku]	2
▽	9	73514	Gear, Idler, Cam [Ku]	1
▲	10	73515	Bushing, Gear, Idler [Ku]	1
	11	73516	Collar, Gear [Ku]	1
	12	73517	Washer, Collar, Gear [Ku]	1
	13	73518	Ring, Snap [Ku]	1
	14	73519	Shaft, Idler, Gear [Ku]	1
	15	41973	Bolt, Hex [Ku]	3

Fig. 12 - Piston and Crankshaft Group

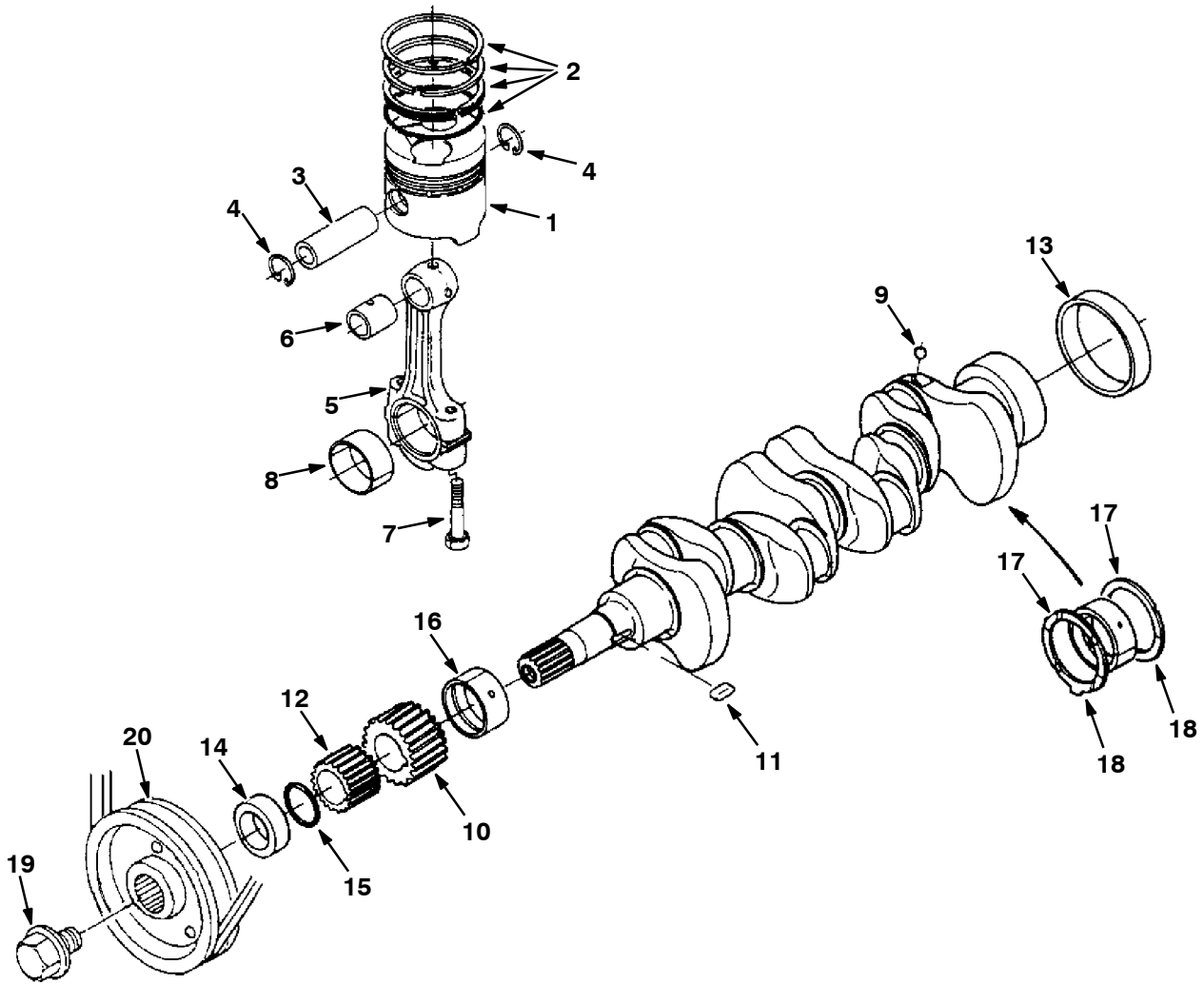


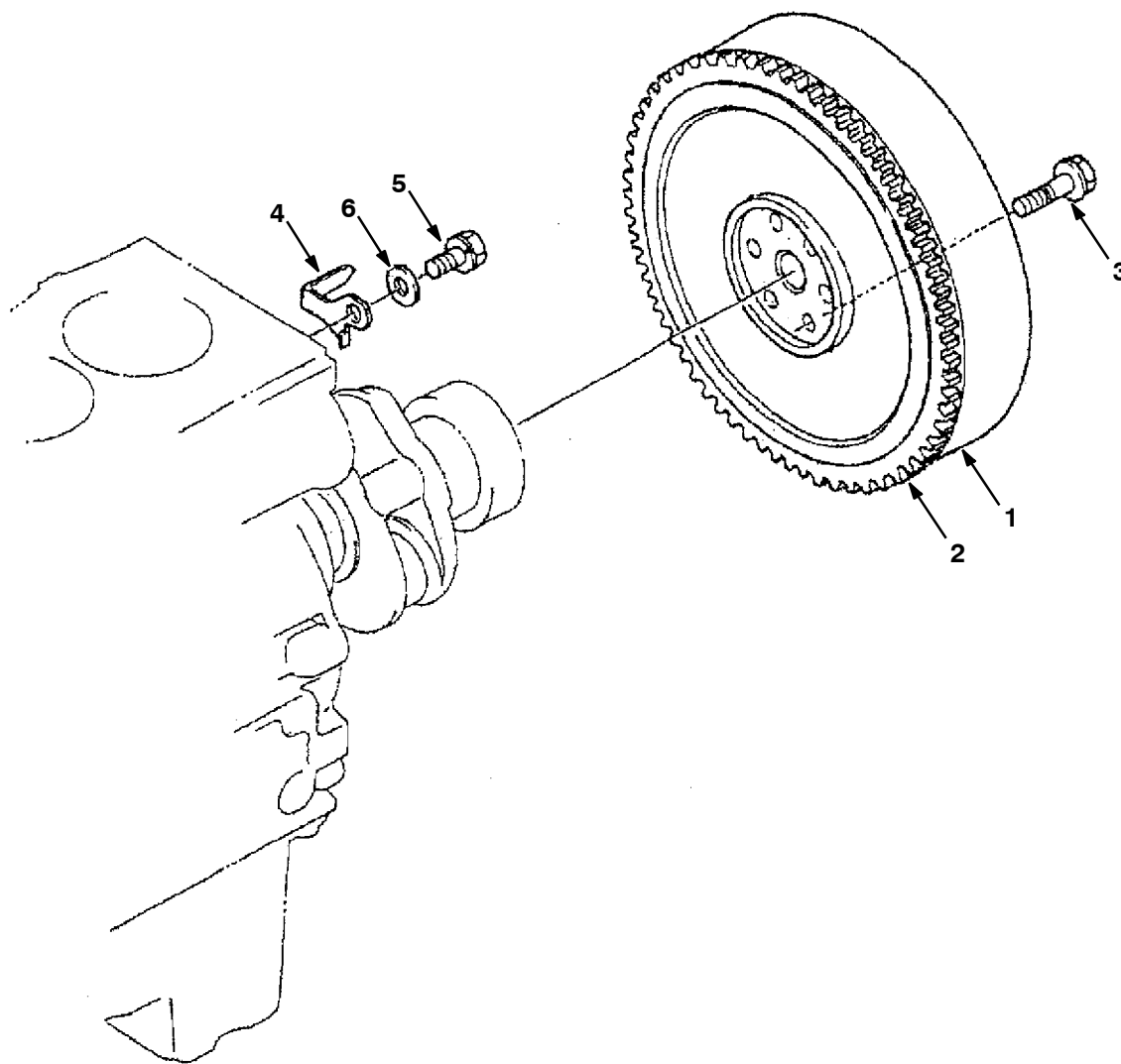
Fig. 12 - Piston and Crankshaft Group

Ref.	Part No.	Description	Qty.	
1	73520	Piston, Eng [Ku]	4	
1	73521	Piston, Eng [Ku]	4	
2	9004361	Ring, Piston Assy [Ku]	4	
2	Ku#1J050- 21050	Ring, Piston Assy [Ku]	4	
2	9004441	Ring, Piston Assy [Ku]	4	
3	73522	Pin, Piston [Ku]	4	
4	73523	Ring, Snap, Piston [Ku]	8	
▽	5	73524	Rod Assy, Connecting [Ku]	4
▲	6	361395	Bushing, Pin, Piston [Ku]16241- 21351	4
▲	7	73525	Screw, Rod, Connecting [Ku]	8
▲	8	70941	Bearing, Rod, Connecting, Std [Ku]	4
▲	8	66204	Bearing, Rod, Connecting [- .2mm, Ku]	4
▲	8	66207	Bearing, Rod, Connecting [- .4mm, Ku]	4
▽		73526	Crankshaft	1
▲	9	73527	Ball, Cshft [Ku]	4
▲	10	73528	Gear, Cshft [Ku]	1
▲	11	73529	Key [Ku]	1
▲	12	73530	Gear, Pump, Oil [Ku]	1
▲	13	70942	Bearing, Cshft [Ku]	1
	14	70943	Collar, Crank, Front [Ku]	1
	15	9004363	Ring [Ku]	1
	16	70945	Bearing, Cshft, Std [Ku]	1
	16	70946	Bearing, Cshft, - .2mm [Ku]	1
	16	70947	Bearing, Cshft [Ku]	1
	17	10844	Bearing, Thrust, Std [Ku]	2
	17	70954	Bearing, Thrust [Ku]	2
	17	70955	Bearing, Thrust [- .4mm, Ku]	2
	18	10845	Bearing, Thrust, Std [Ku]	2
	19	73532	Screw, Hex, Cshft [Ku]	2
	20	393400	Sheave, Cshft [Ku]	2

① Serial Number (006501- 008260)

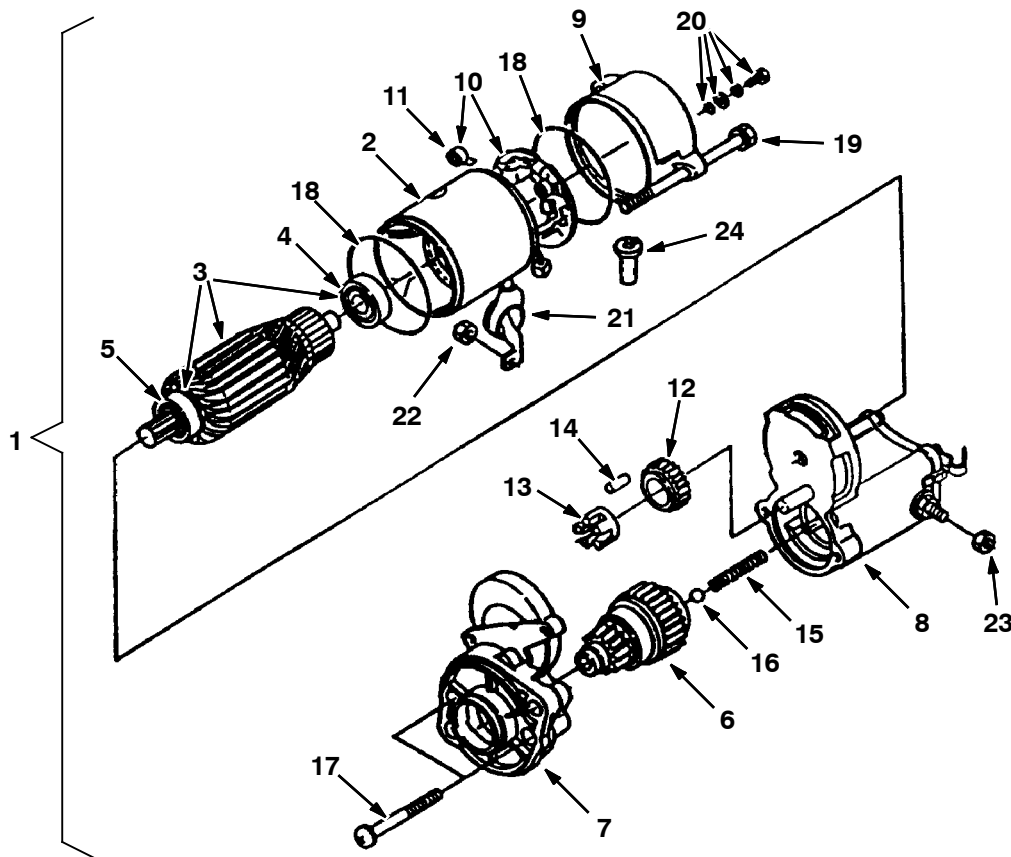
② Serial Number (008261-)

Fig. 13 - Flywheel Group



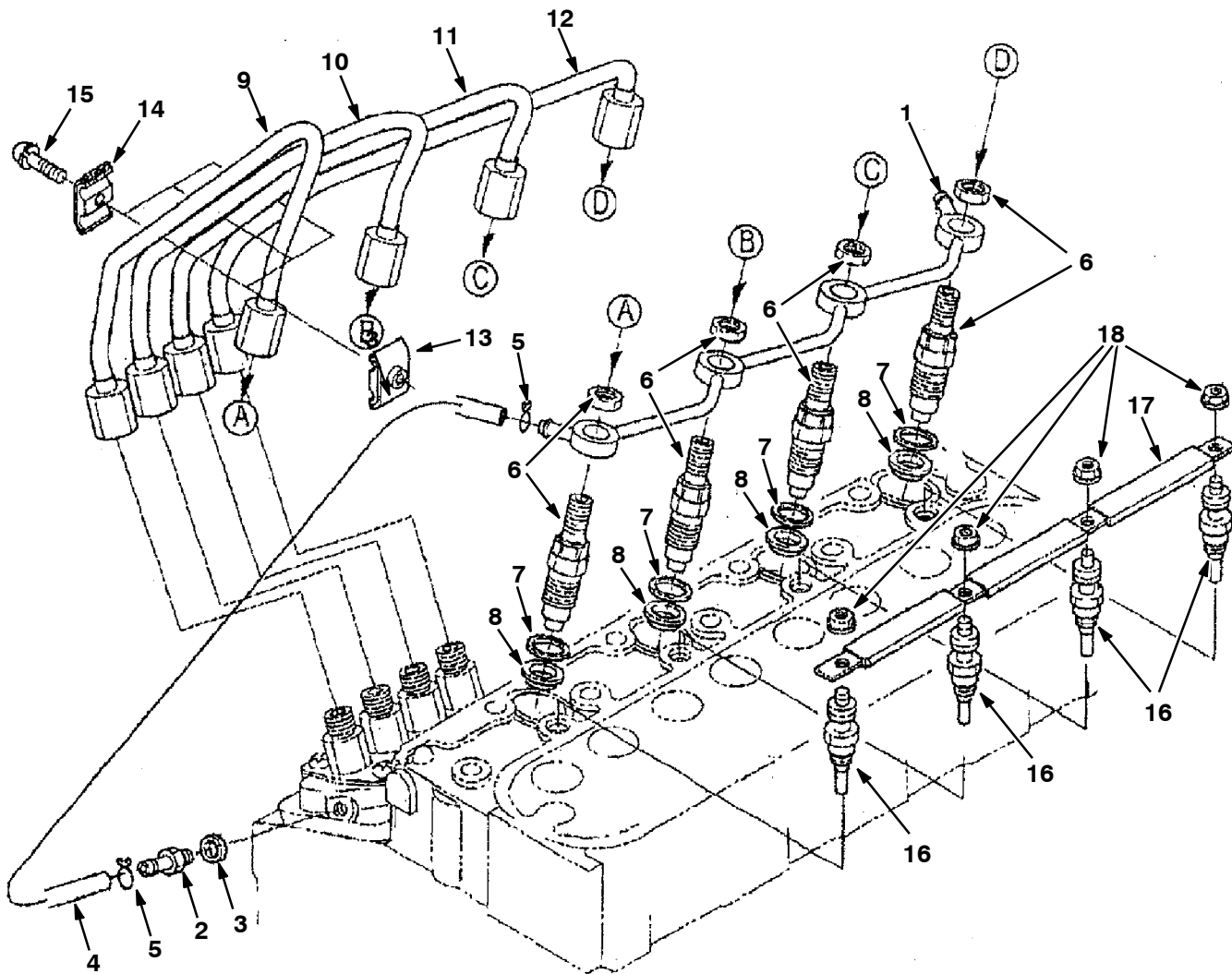
Ref.	Part No.	Description	Qty.
▽	1 70956	Flywheel	1
▲	2 9004442	Gear, Ring [Ku]	1
	3 73533	Screw, Hex, Flywheel [Ku]	6
	4 9003891	Indicator, Timing [Ku]	1
	5 9004443	Bolt [Ku]	1
	6 9004444	Washer, Plain [Ku]	1

Fig. 14 - Starter Breakdown, 74405



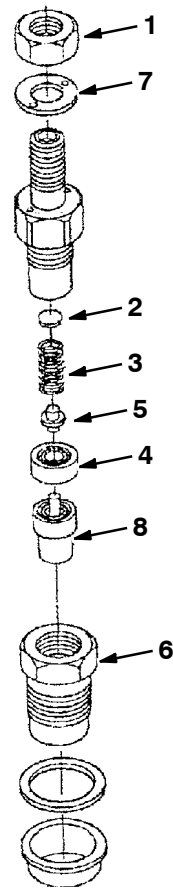
Ref.	Part No.	Description	Qty.
▽	1	74405 Starter, 12vdc [Kubota]	1
▲	2	70196 Yoke	1
▲▽	3	70197 Armature, Motor [Ku]	1
▲▲	4	70198 Bearing	1
▲▲	5	70199 Bearing	1
▲	6	70200 Clutch	1
▲	7	70201 Frame, End, Drive	1
▲	8	70202 Switch, Magneto [Ku]	1
▲	9	70203 Frame, End	1
▲▽	10	70204 Brushholder	1
▲▲	11	70205 Spring, Brush	4
▲	12	70206 Gear	1
▲	13	70207 Retainer	1
▲	14	73545 Retainer, Gear, Starter [Ku]	5
▲	15	70208 Spring	1
▲	16	73547 Spring, Ext [Ku]	1
▲	17	70209 Bolt	2
▲	18	20433 Seal, Org	2
▲	19	70210 Bolt	2
▲	20	20432 Bolt	2
▲	21	70211 Cover	1
▲	22	73551 Nut, Hex [Ku]	1
▲	23	70212 Nut	1
▲	24	70213 Tube, Drain, Starter	1

Fig. 15 - Nozzle Holder and Glow Plug Group



Ref.	Part No.	Description	Qty.
1	73554	Pipe, Overflow	1
2	73555	Fitting, Fuel [Ku]	1
3	40166	Gasket, F/ Bolt [Ku]	1
▽	361373	Hose, Fuel [Ku]	1
▲	9004389	Pipe, Fuel, Overflow [Ku]	2
▲	9004390	Pipe, Clip [Ku]	4
▽	372917	Housing Assy, Nozzle	4
▲	9004450	Gasket [Ku]	1
▲	9004451	Seal, Heat [Ku]	1
9	70965	Tube, Injector, Pipe #1 [Ku]	1
10	70966	Tube, Injector, Pipe #2 [Ku]	1
11	70967	Tube, Injector, Pipe #32 [Ku]	1
12	70968	Pipe, Injector, # 4	3
13	30131	Clamp, Tube, Inj, Pipe #1 [Ku]	3
14	39507	Clamp, Pipe	4
15	393566	Screw, W / Washer	1
16	84638	Glowplug [Ku]	3
17	73560	Cord, Ele, Glowplug	3
18	9004393	Nut, Flange [Ku]	3

Fig. 16 - Nozzle Holder Breakdown



Ref.	Part No.	Description	Qty.
▽	372917	Housing Assy, Nozzle	4
▲	1 9004395	Nut [Ku]	1
▲	2 9004396	Washer, Adjusting [Ku]	1
▲	3 9004397	Nozzle, Spring [Ku]	1
▲	4 388500	Spacer [Ku]	1
▲	5 9004398	Rod, Push [Ku]	1
	6 9004399	Nut, Nozzle [Ku]	1
	7 9004400	Washer, Plain [Ku]	1
	8 9004101	Nozzle [Ku]	1

Fig. 17 - Injection Pump Group

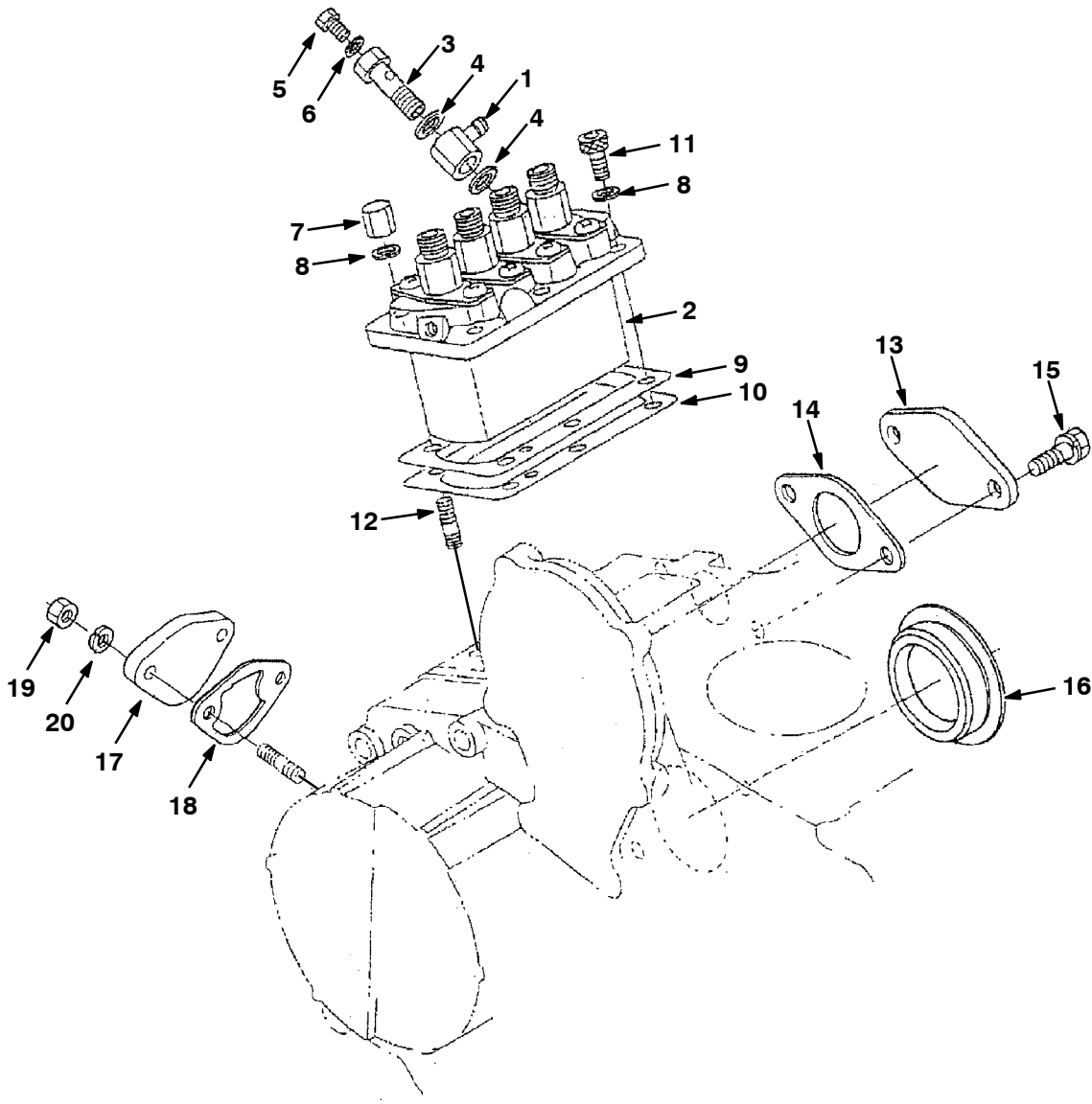


Fig. 17 - Injection Pump Group

	Ref.	Part No.	Description	Qty.
	1	9004376	Eye, Joint [Ku]	1
▽	2	84635	Pump, Injection [Kubo]	1
▲	3	84651	Follower, Screw, Pump, Injection[Ku]	1
▲	4	73588	Gasket, Ftg, Banjo [Ku]	2
▲	5	73589	Screw, Hex [Ku]	1
▲	6	73590	Gasket, F/ Screw [Ku]	1
	7	73563	Nut [Ku]	3
	8	39065	Washer, Lock, Split [Ku]	6
	9	70972	Shim	1
	9	70973	Shim	1
	10	84644	Shim, Pump, Injection	1
	11	73561	Bolt [Ku]	3
	12	73562	Stud [Ku]	3
	13	9004454	Cover, Solenoid [Ku]	1
	14	70165	Gasket, Solenoid, Throttle [Ku]	1
	15	39160	Bolt, Hex [Ku]	2
	16	70188	Cover, Hole, Pump [Ku]	1
	17	73565	Cover, Hole, Pump, Fuel [Ku]	1
	18	70974	Gasket, Pump, Fuel [Ku]	1
	19	39121	Nut, Hex [Ku]	2
	20	39065	Washer, Lock, Split [Ku]	2

Fig. 18 - Injection Pump Breakdown

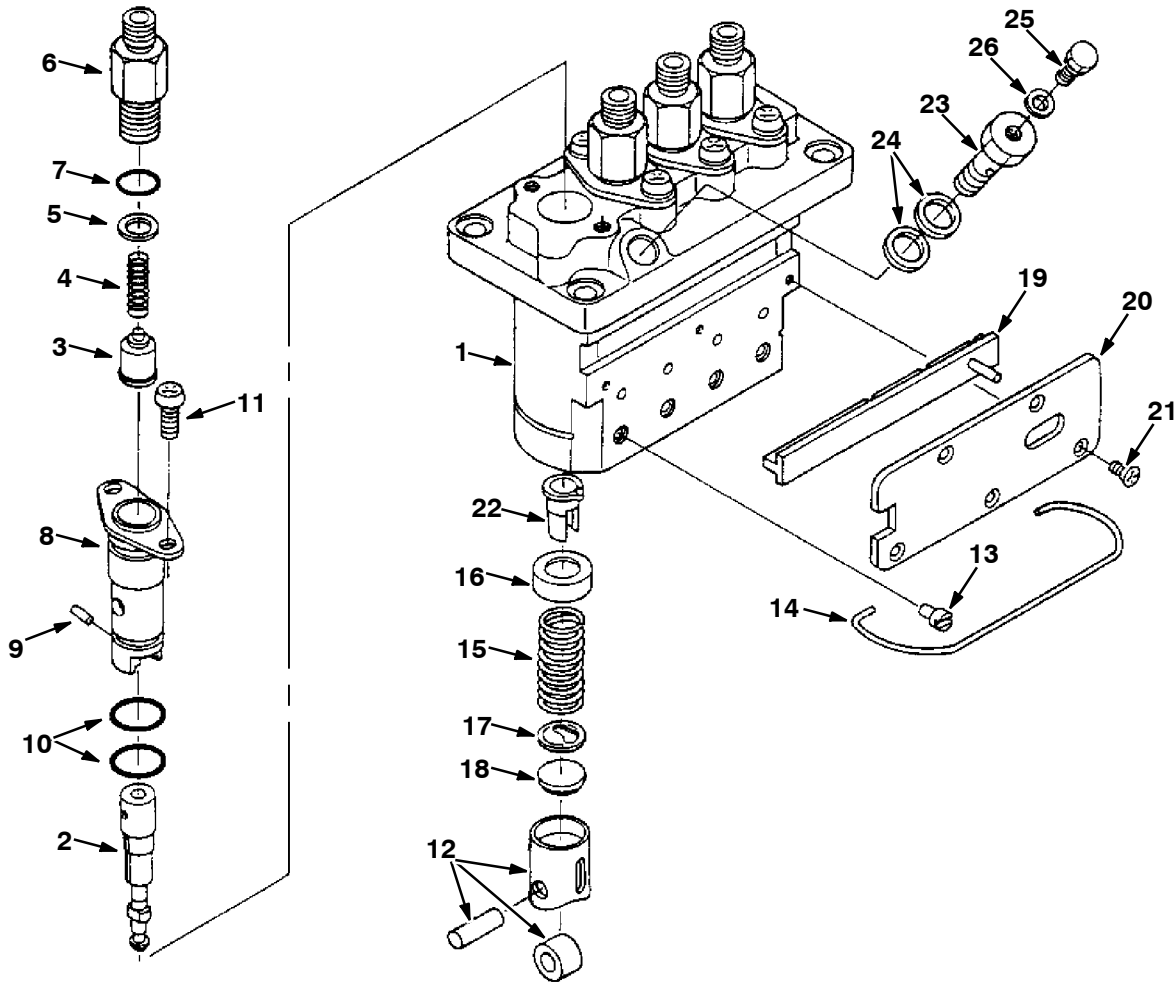
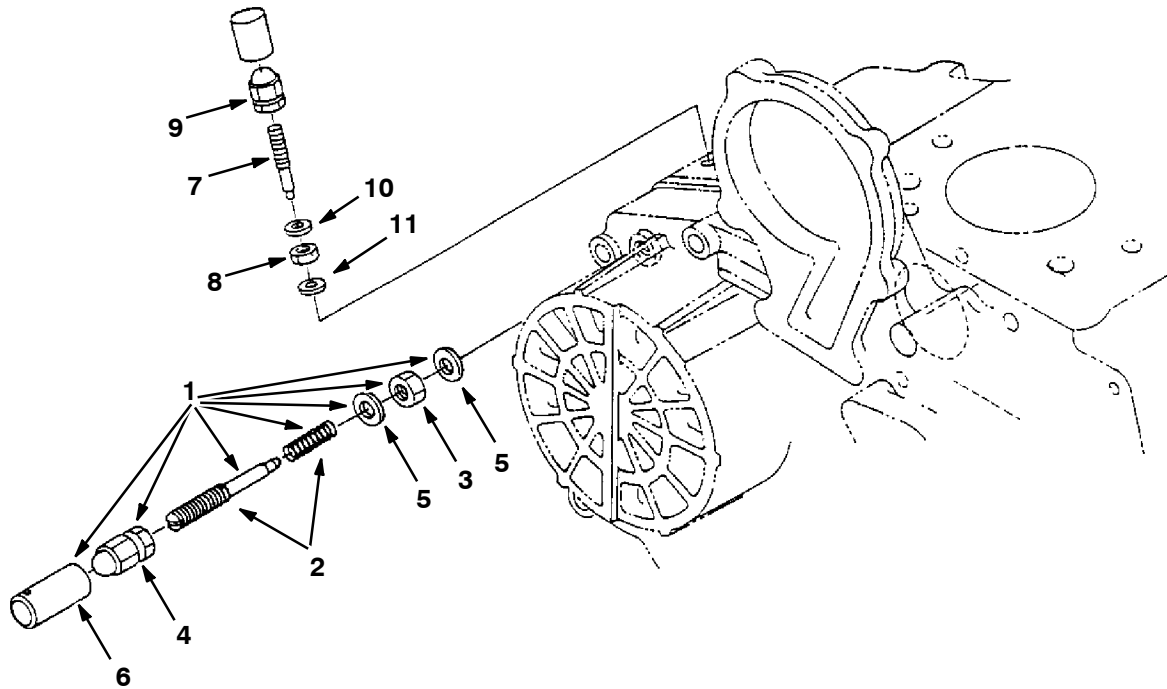


Fig. 18 - Injection Pump Breakdown

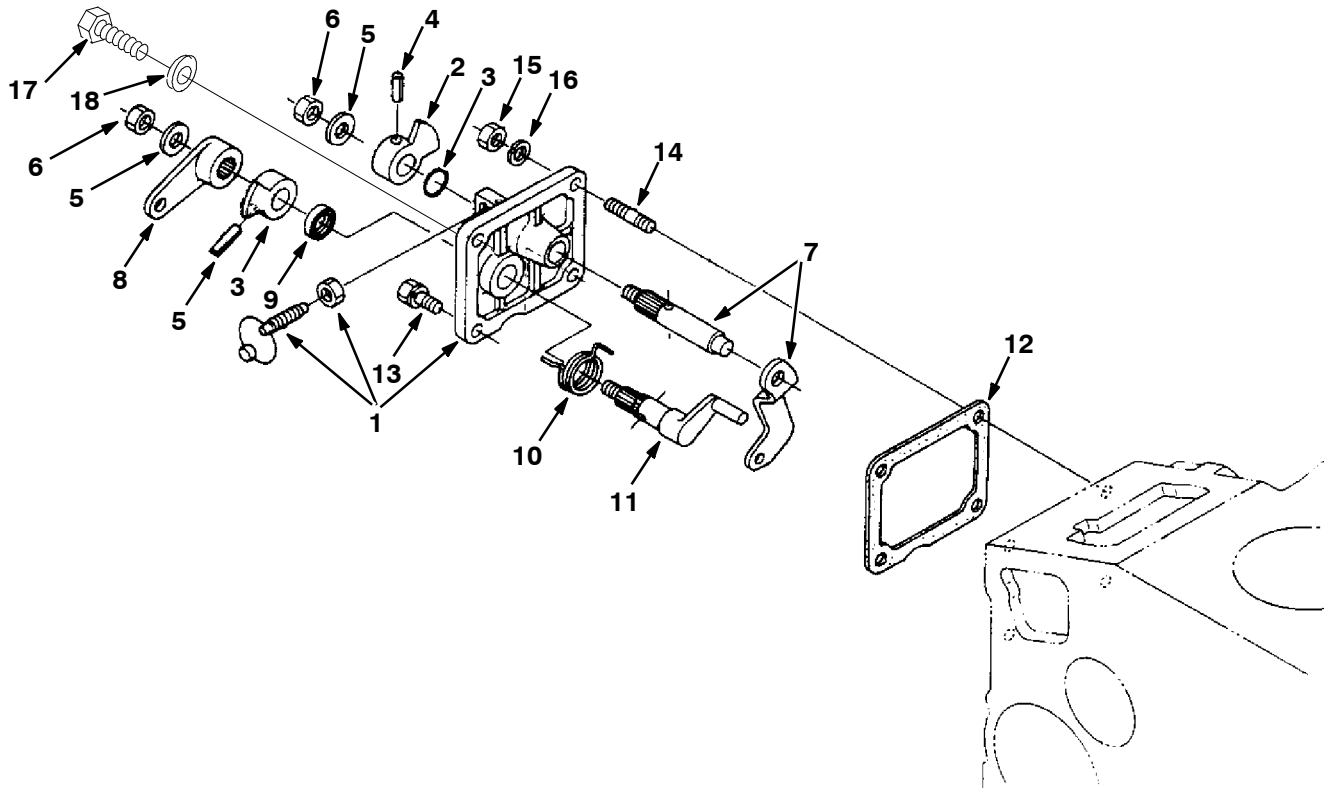
	Ref.	Part No.	Description	Qty.
▽	1	84635	Pump, Injection [Kubo]	1
▲	2	84648	Plunger, Pump, Inj [Ku]	4
▲	3	73567	Valve, Eng [Delivery, Ku]	4
▲	4	73568	Spring, Cmpr, Valve, Injector [Ku]	4
▲	5	73569	Gasket, Valve, Injector [Ku]	4
▲	6	73570	Holder, Valve, Inj [Ku]	4
▲	7	73571	Seal, Org [Ku]	4
▲	8	73572	Flange, Sleeve [Ku]	4
▲	9	73573	Pin, Joint, Inj [Ku]	4
▲	10	73574	Seal, Org [Ku]	8
▲	11	73575	Screw, Hex [Ku]	8
▲	12	73576	Tappet, Pump, Injection [Ku]	4
▲	13	73577	Pin, Tappet [Ku]	4
▲	14	73578	Pin, Clamp	1
▲	15	73579	Spring, Cmpr, Plunger [Ku]	4
▲	16	73580	Seat, Spring, Upper, Injector [Ku]	4
▲	17	73581	Seat, Spring, Lower, Injector [Ku]	4
▲	18	73582	Shim, Tappet, Injection [Ku]	1
▲	19	84649	Control, Fuel	1
▲	20	84650	Plate	1
▲	21	73585	Screw, Pump, Injection [Ku]	5
▲	22	73586	Sleeve, Cntrl, Pump, Injection [Ku]	4
▲	23	84651	Follower, Screw, Pump, Injection [Ku]	1
▲	24	73588	Gasket, Ftg, Banjo [Ku]	2
▲	25	73589	Screw, Hex [Ku]	1
▲	26	73590	Gasket, F/ Screw [Ku]	1

Fig. 19 - Idling Group



Ref.	Part No.	Description	Qty.	
▽	1	9004446	Idling, Apparatus [Ku]	1
▲	2	9004447	Bolt, Adjustment Assy [Ku]	1
▲	3	73606	Nut, Hex [Ku]	1
▲	4	361375	Nut, Cap [Ku]	1
▲	5	40166	Gasket, F/ Bolt [Ku]	2
▲	6	30136	Cap, Screw, Idler [Ku]	1
	7	73610	Screw, Adj, Stop [Ku]	1
	8	9004374	Nut, Lock [Ku]	1
	9	361375	Nut, Cap [Ku]	1
	10	40166	Gasket, F/ Bolt [Ku]	2
	11	9004375	Gasket [Ku]	1

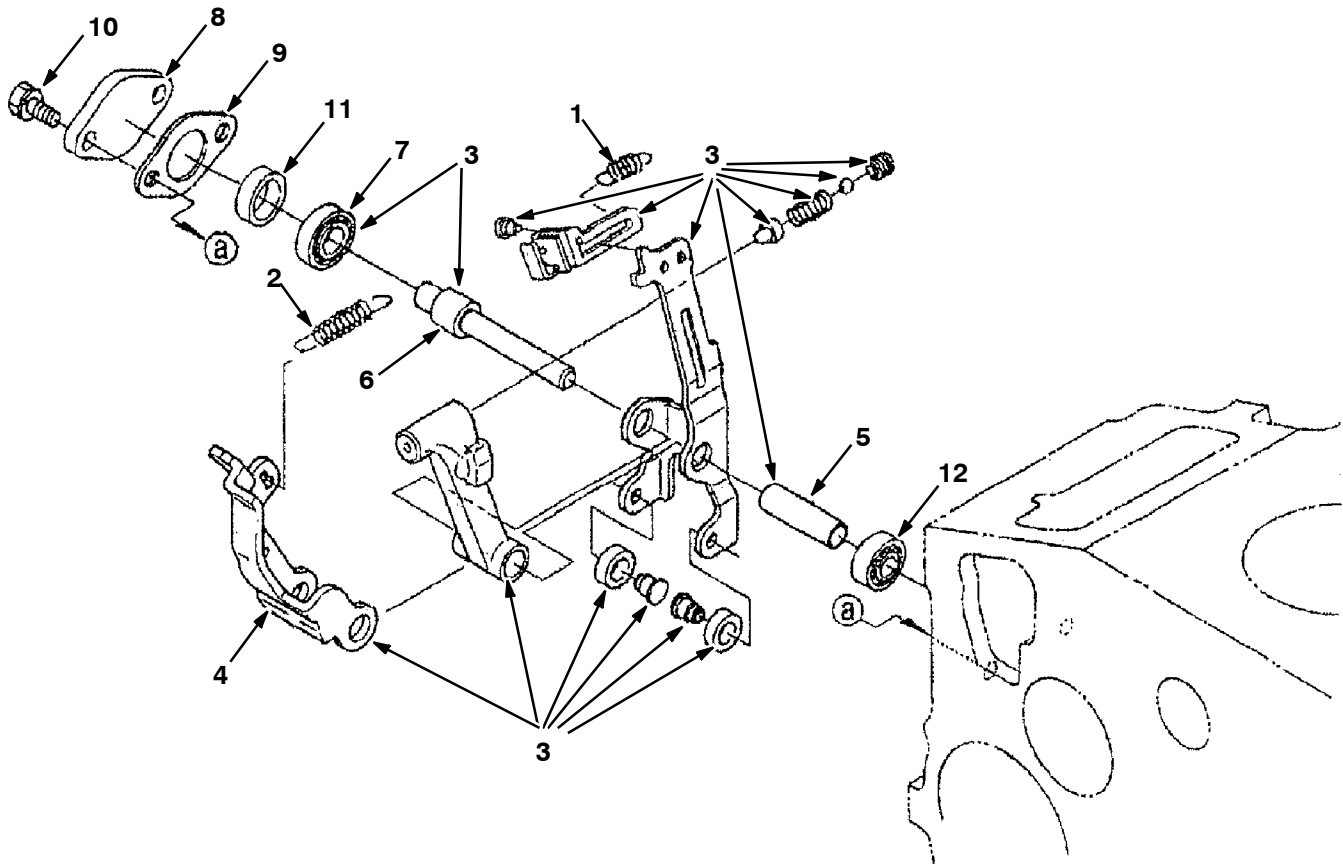
Fig. 20 - Speed Control Plate Group



07445 - M20, D

Ref.	Part No.	Description	Qty.
▽	1	70982 Plate, Cntrl, Spd [Ku]	1
▲	2	73619 Lever, Cntrl, Spd [Ku]	2
▲	3	9004385 O- Ring [Ku]	1
▲	4	40407 Pin, Spring [Ku]	2
▲	5	73621 Washer, Flat [Ku]	2
▲	6	73622 Nut, Hex [Ku]	2
▲	7	73623 Lever, Plate, Cntrl [Ku]	1
▲	8	73624 Lever, Stop [Ku]	1
▲	9	70983 Seal, Oil [Ku]	1
▲	10	73625 Spring, Tors [Ku]	1
▲	11	73626 Shaft, Lever, Spd [Ku]	1
	12	70984 Gasket, Cover, Spd [Ku]	1
	13	41973 Bolt, Hex [Ku]	2
	14	9004386 Stud [Ku]	2
	15	39121 Nut, Hex [Ku]	2
	16	39065 Washer, Lock, Split [Ku]	2
	17	9004449 Bolt [Ku]	1
	18	40166 Gasket, F/ Bolt [Ku]	1

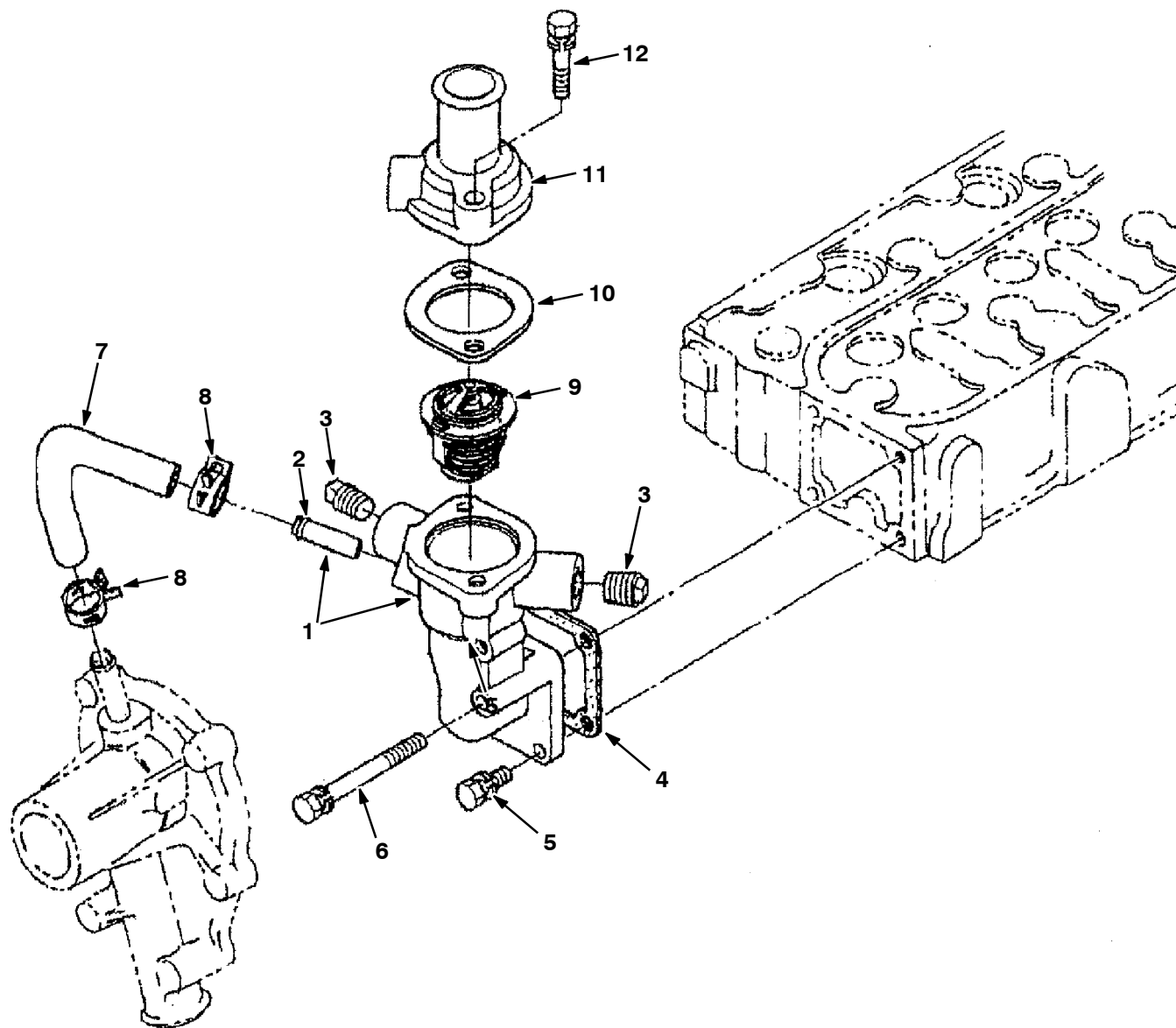
Fig. 21 - Governor Group



07447 - M20, D

Ref.	Part No.	Description	Qty.
1	9004379	Spring, Start [Ku]	1
2	9004448	Spring, Governor [Ku]	1
▽ 3	9004775	Lever Assy, Fork [KU]	1
▲ 4	9004381	Lever, Fork [Ku]	1
▲ 5	9004382	Lever, Fork, Shaft [Ku]	1
▲ 6	9004283	Belt Kit, W/ Installation Tool	1
▲ 7	70989	Bearing, Ball [Ku]	1
8	73631	Cover, Lever, Gov [Ku]	1
9	361430	Gasket, Cover, Gov [Ku]	1
10	71995	Screw, Hex [Ku]	2
11	70991	Collar, Govnr [Ku]	1
12	70992	Bearing, Ball [Ku]	1

Fig. 22 - Water Flange Group



Ref.	Part No.	Description	Qty.	
▽	1	368090	Flange, Water [Ku]	1
▲	2	384859	Pipe, Water, Return	1
	3	73632	Fitting, Pipe, Plug [Ku]	2
	4	70994	Gasket, Hsg, Thermostat [Ku]	1
	5	41973	Bolt, Hex [Ku]	3
	6	384872	Bolt	1
	7	73633	Hose, Water [Ku]	1
	8	73634	Clamp, Hose, Heater [Ku]	2
	9	10852	Thermostat, 180deg, 1.7d [Ku]	1
	10	10851	Gasket	1
	11	368091	Housing, Thermostat [Ku]	1
	12	40418	Bolt [Ku]	2

