

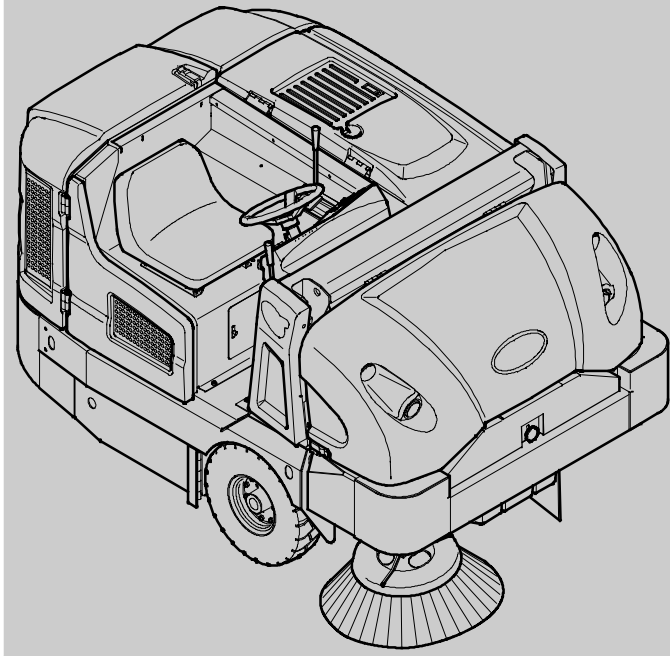
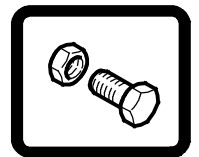


# S30

(Gas/LPG)

(SN/ 006501- )

## Sweeper Parts Manual



**SweepMax<sup>®</sup> Plus System**  
**TennantTrue<sup>®</sup> Parts**  
**IRIS<sup>®</sup> a Tennant Technology**

## North America / International

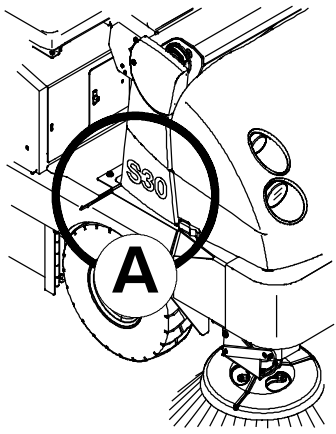
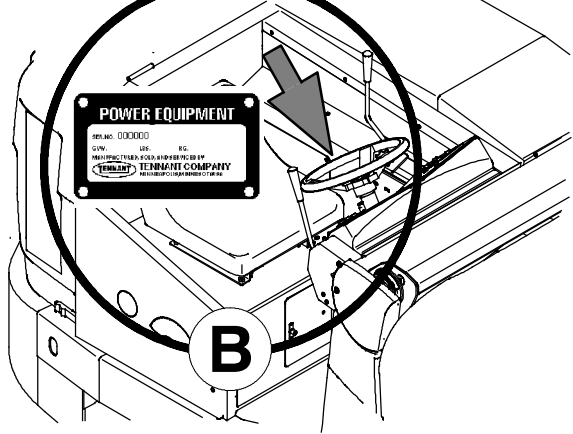


For the latest Parts manuals and other  
language Operator manuals, visit:

[www.tennantco.com/manuals](http://www.tennantco.com/manuals)

**9013316**  
**Rev. 08 (4-2022)**



Ref	Part No.	Serial Number	Description	Qty.
1	82681	(000000- )	Bracket Wldt, Lpg Mount	1
2	63810	(000000- )	Latch Assy, Lpg Tank Mtg, W/Nut	4
3	51839	(000000- )	Nut Adjustable, Lpg Tank Mtg	2
4	49263	(000000- )	Tie, Cable	3
5	82556	(000000- 001039)	Bracket, Vaporizer	1
6	54930	(000000- )	Vaporizer, LPG	1

**HOW TO ORDER PARTS - See diagram above**

Only use TENNANT Company supplied or equivalent parts. Parts and supplies may be ordered online, by phone, by fax or by mail.

Follow the steps below to ensure prompt delivery.

1. **(A)** Identify the machine model.
2. **(B)** Identify the machine serial number from the data plate.
3. **(C)** Ensure the proper serial number is used from the parts list.
4. Identify the part number and quantity. Do not order by page or reference numbers.
5. Provide your name, company name, customer ID number, billing and shipping address, phone number and purchase order number.
6. Provide detail shipping instructions.

**(D)** ▽ - Identifies an assembly  
 ▲ - Identifies parts included in assembly

**EN**

**Please fill out at time of installation for future reference.**

Model No. - \_\_\_\_\_

Serial No. - \_\_\_\_\_

Machine Options - \_\_\_\_\_

Sales Rep. - \_\_\_\_\_

Sales Rep. phone no. - \_\_\_\_\_

Customer ID Number - \_\_\_\_\_

Installation Date - \_\_\_\_\_

**Tennant Company**  
 10400 Clean Street  
 Eden Prairie, MN 55344- 2650  
 Phone: (800) 553- 8033 or (763) 513- 2850  
 www.tennantco.com

Thermo- Sentry, 1- STEP, EasyOpen, MaxPro<sup>2</sup>, InstantAccess, II- Speed, Perma- Filter, Duramer, Lower Total Cost of Ownership, Touch- N- Go, Watershield Dust Control, and Cab Forward ErgoSpace are trademarks of Tennant Company.

Specifications and parts are subject to change without notice.

<b>CN</b>	<p><b>如何订购部件 - 参见下表</b></p> <p>仅使用 TENNANT 公司提供的或同等部件。部件和供应可以在线订购，通过电话、传真或邮件订购。请遵循下面的步骤确保及时交付。</p> <ol style="list-style-type: none"> <li>1. <b>(A)</b> 确定机器型号。</li> <li>2. <b>(B)</b> 从数据标签确定机器序列号。</li> <li>3. <b>(C)</b> 确保使用部件列表中的正确序列号。</li> <li>4. 确定部件号和数量。 不要按页面或参考编号订购。</li> <li>5. 提供您的姓名、公司名称、客户 ID 号、付帐和送货地址、电话号码和采购单编号。</li> <li>6. 提供详细的送货说明。</li> </ol> <hr/> <p><b>(D)</b> ▽ - 确定组件 ▲ - 确定组件中包含的组件</p>	<p><b>请在安装时填写供未来参考。</b></p> <p>型号 - _____</p> <p>序列号 - _____</p> <p>机器选项 - _____</p> <p>销售代表 - _____</p> <p>销售代表电话号码 - _____</p> <p>客户 ID 编号 - _____</p> <p>安装日期 - _____</p>
-----------	--	--

<b>ES</b>	<p><b>CÓMO SOLICITAR PIEZAS - Consulte el diagrama anterior.</b></p> <p>Utilice sólo las piezas suministradas por TENNANT Company o piezas equivalentes. Puede solicitar las piezas a través de internet, por teléfono, por fax o por correo.</p> <p>Siga los siguientes pasos para que la entrega sea rápida.</p> <ol style="list-style-type: none"> <li>1. <b>(A)</b> Indique el modelo de máquina.</li> <li>2. <b>(B)</b> Indique el número de serie de la etiqueta de datos.</li> <li>3. <b>(C)</b> Asegúrese de que indica el número de serie correcto de la lista de piezas.</li> <li>4. Indique la cantidad y el número de la pieza. No realice el pedido indicando el número de página o el de referencia.</li> <li>5. Incluya su nombre, el nombre de la empresa, el ID de cliente, las direcciones de envío y facturación, el número de teléfono y el número del pedido de compra.</li> <li>6. Facilite instrucciones de envío.</li> </ol> <hr/> <p><b>(D)</b> ▽ - identifica un conjunto ▲ - identifica piezas de un conjunto</p>	<p><b>Rellene estos datos cuando realice la instalación para utilizarlos como referencia en el futuro.</b></p> <p>Nº modelo - _____</p> <p>Nº serie - _____</p> <p>Opciones de la máquina - _____</p> <p>Vendedor - _____</p> <p>Nº teléfono vendedor - _____</p> <p>Nº cliente - _____</p> <p>Fecha de instalación - _____</p>
-----------	--	---

<b>FR</b>	<p><b>COMMENT COMMANDER DES PIÈCES DÉTACHÉES - Voir le schéma ci-dessus.</b></p> <p>Utilisez uniquement des pièces fournies par la société TENNANT ou équivalentes. Les pièces et fournitures peuvent être commandées en ligne, par téléphone, fax, ou par courrier.</p> <p>Suivez les étapes ci-dessous pour assurer une livraison rapide.</p> <ol style="list-style-type: none"> <li>1. <b>(A)</b> Identifiez le modèle de la machine.</li> <li>2. <b>(B)</b> Identifiez le numéro de série de la machine, à partir de l'étiquette signalétique.</li> <li>3. <b>(C)</b> Assurez-vous que le numéro de série correct est utilisé à partir de la liste de pièces détachées.</li> <li>4. Identifiez le numéro de pièce et la quantité. Ne commandez pas par page ou numéros de référence.</li> <li>5. Fournissez votre nom, le nom de votre société, votre numéro d'identification de client, l'adresse de facturation et d'expédition, le numéro de téléphone et le numéro du bon de commande.</li> <li>6. Fournissez des instructions d'expédition détaillées.</li> </ol> <hr/> <p><b>(D)</b> ▽ - identifie un assemblage ▲ - identifie les pièces composant l'assemblage</p>	<p><b>A remplir au moment de l'installation à titre de référence.</b></p> <p>Nº du modèle - _____</p> <p>Nº de série - _____</p> <p>Options de la machine - _____</p> <p>Agent commercial - _____</p> <p>Nº tél. de l'agent commercial - _____</p> <p>Numéro d'identification client - _____</p> <p>Date d'installation - _____</p>
-----------	--	---

<b>JP</b>	<p><b>パーツの発注方法 ? 上記の図を参照してください</b></p> <p>TENNANT社製のパーツまたは同等品のみをお使いください。パーツやサプライ品のご注文は、オンライン、電話、FAX、または手紙でお願いいたします。確実にお届けできるように、以下の情報お知らせください。</p> <ol style="list-style-type: none"> <li>1. <b>(A)</b> 製品のモデル名をお知らせください。</li> <li>2. <b>(B)</b> 製品のデータラベルに印刷されているシリアル番号をお知らせください。</li> <li>3. <b>(C)</b> パーツリストを参照して、シリアル番号が正しいかご確認ください。</li> <li>4. パーツ番号と数量をお知らせください。マニュアル/カタログのページ番号や参照番号でのご注文はご遠慮ください。</li> <li>5. お客様のお名前、会社名、顧客ID番号、請求/発送先住所、電話番号、注文書番号をお知らせください。</li> <li>6. 発送に関するご希望があれば、明記してください。</li> </ol> <hr/> <p><b>(D)</b> ▽ - アセンブリを示します ▲ - アセンブリに含まれるパーツを示します</p>	<p><b>後日確認できるように、設置時に記入してください。</b></p> <p>モデルNo. - _____</p> <p>シリアルNo. - _____</p> <p>製品のオプション - _____</p> <p>販売代理店 - _____</p> <p>販売代理店の電話番号 - _____</p> <p>顧客ID番号 - _____</p> <p>設置日 - _____</p>
-----------	---	---



# GENERAL RECOMMENDED MAINTENANCE

## General Recommended Maintenance Items

Ref.	Part No.	Serial Number	Description	Qty.
▽	9004543	(006501-	) Maint Kit, 800hr, Gas [S30]	1
▲	31613	(006501-	) Strainer, Hyd, 025gpm 100mesh 03psi	1
▲	25122	(006501-	) Cap, Breather, Hyd, 2.4 Ds	1
▲	1021579	(006501-	) Filter Assy, Hyd, 10mic	1
▲	372440	(006501-	) Filter, Fuel [Gm 1.6/3.0]	1
▲	398279	(006501-	) Element, Fltr, Air, Safety	1
▲	369746	(006501-	) Element, Fltr, Air [Dn]	1
▽	9007385	(006501-	) Maint Kit, 800hr [S30 Lpg 2010]	1
▲	31613	(006501-	) Strainer, Hyd, 025gpm 100mesh 03psi	1
▲	25122	(006501-	) Cap, Breather, Hyd, 2.4 Ds	1
▲	1021579	(006501-	) Filter Assy, Hyd, 10mic	1
▲	9007380	(006501-	) Filter Kit, Fuelock,Lpg	1
▲	398279	(006501-	) Element, Fltr, Air, Safety	1
▲	369746	(006501-	) Element, Fltr, Air [Dn]	1
	393982	(006501-	) Element, Fltr, Oil, Spin- On	1
	1045900	(006501-	) Filter, Cyl, 11.09d, 13.31l, 6.724 ld	1
	9004545	(006501-	) Key, Ignition [Replmt W/O Dust Boot]	1
	1071680	(006501-	) Belt, Ribbed, Alternator, 40.25l	1
	1071681	(006501-	) Belt, Ribbed, Alternator, A/C, 51.125l	1
	1045366	(006501-	) Skirt, Door, Brush	1
	1045354	(006501-	) Skirt, Door, Brush	1
	54190	(006501-	) Skirt, Neo, .37, 06.00w 44.65l, 04/ SI Recirculation	1
	1045348	(006501-	) Skirt, Neo, .18, 06.74w 50.00l, 04/ SI	1
	1032012	(006501-	) Skirt, Deflector Wheel Pocket Skirt	2
	1061961	(006501-	) Tire Assy, Solid, 20.8 X 5.0, W/ Brg, Front Tire	2
	53817	(006501-	) Tire Assy, Solid, 18.0x4.3 4.5bc/5bolt Solid Rear Tire	1
	1032515	(006501-	) Tire Assy, Pneu, 600x9 4.5bc/5bolt, Ce Pneumatic Front	2
	1005229	(006501-	) Tire Assy, Pneu, 5.00 4.5bc/5blt[R8ic70] Pneumatic Rear	1
	9010622	(006501-007105	) Plug, Spark [Torch K6rf- 11 14mm]	4
	9014160	(007106-	) Plug, Spark [Mitsubishi 2015 12mm]	4

# GENERAL RECOMMENDED MAINTENANCE

## General Recommended Maintenance Items

Ref.	Part No.	Serial Number	Description	Qty.
▽	9013115	(006501-	) Skirt Kit, Hppr, Maint [S30]	1
▲	1035684	(006501-	) Bolt, Carriage, M8 X 1.25 X 30	10
▲	08713	(006501-	) Nut, Hex, Lock, M8 X 1.25, NI, Ss	10
▲	1212460	(006501-	) Bracket, Sppt, Hppr Seal	1
▲	1212516	(006501-	) Skirt, Lip	1
▲	1212509	(006501-	) Skirt, Lip, Hppr	1
▲	1026798	(006501-	) Strap, Main, Lip	1
▲	32491	(006501-	) Washer, Flat, 0.31, Std	10
▲	1038037	(006501-	) Skirt, Hppr	1
▲	41178	(006501-	) Washer, Flat, 0.25, Fendr	6
▲	11635	(006501-	) Screw, Hex, M6 X 1.00 X 12, NI, Ss	6
▲	1212510	(006501-	) Skirt, Neo, .12, 15.9w, 20.8l, 03/SI	1
▽	9013116	(006501-	) Skirt Kit, Door, Hppr, Maint [S30]	1
▲	1212570	(006501-	) Seal, Wiper, Door	1
▲	1212756	(006501-	) Retainer, Seal	2
▲	1037345	(006501-	) Screw, Hex, M6 X 1.00 X 30, 9.8, Sems	16
▲	32490	(006501-	) Washer, Flat, 0.25, Std	34
▲	08712	(006501-	) Nut, Hex, Lock, M6 X 1.00, NI, Ss	28
▲	1044950	(006501-	) Strap, Door, Dump, Side	2
▲	1030218	(006501-	) Cord, Sponge	1
▲	1212440	(006501-	) Seal, Door, Dump	1
▲	1044419	(006501-	) Plate, Retainer, Door, Dump	1
▲	06946	(006501-	) Screw, Hex, M6 X 1.00 X 35, 8.8	12
	16411	(006501-	) Paint, Airdry, Off- White, 12oz	1
	16412	(006501-	) Paint, Airdry, Teal, 12oz, Solid	1
	377540	(006501-	) Paint, Airdry, Blk, 12oz	1
	377538	(006501-	) Paint, Airdry, Gray, 12oz	1
	377537	(006501-	) Paint, Airdry, Iron Gray, 12oz	1
	1057710	(006501-	) Oil, Hyd [El, Iso 100, 01gal]	1
	1057711	(006501-	) Oil, Hyd [El, Iso 100, 05gal]	1
	1069019	(006501-	) Oil, Hyd [El, Iso 68, 01gal]	1
	1069020	(006501-	) Oil, Hyd [El, Iso 68, 05gal]	1
	1057707	(006501-	) Oil, Hyd [El, Iso 32, 01gal]	1
	1057708	(006501-	) Oil, Hyd [El, Iso 32, 05gal]	1

## SECTION 2

Contents	Page
Fig. 1 - Brushes, Replacement	2- 2
Fig. 2 - Main Frame Group	2- 4
Fig. 3 - Brush Door Group, Right	2- 6
Fig. 4 - Brush Door Group, Left	2- 8
Fig. 5 - Operator Station Group	2- 10
Fig. 6 - Seat and Shroud Group	2- 12
Fig. 7 - Engine Cover Group, Rear	2- 14
Fig. 8 - Engine Cover Group, Top	2- 16
Fig. 9 - Engine Cover Group, Side	2- 18
Fig. 10 - Instrument Panel Group, S30	2- 20
Fig. 11 - Instrument Panel Group, S30 XP	2- 22
Fig. 12 - Steering Group	2- 24
Fig. 13 - Engine and Mount Group, Gas	2- 26
Fig. 14 - Engine and Mount Group, Lpg	2- 28
Fig. 15 - Engine EFI Group, Gas	2- 30
Fig. 16 - Engine EFI Group, LPG	2- 32
Fig. 17 - Engine Air Cleaner Group, Gas	2- 34
Fig. 18 - Engine Air Cleaner Group, LPG	2- 36
Fig. 19 - Engine Alternator Group	2- 38
Fig. 20 - Engine Battery Group	2- 40
Fig. 21 - Engine Muffler Group	2- 42
Fig. 22 - Engine Fuel Tank Group, Gas	2- 44
Fig. 23 - Engine Fuel Tank Group, LPG	2- 46
Fig. 24 - Engine Radiator Mount and Fan Group	2- 48
Fig. 25 - Engine Radiator Hoses Group, Gas/LPG	2- 50
Fig. 26 - Wheel Group, Rear Drive S30 and XP	2- 52
Fig. 27 - Wheel Assembly, Rear	2- 54
Fig. 28 - Wheel and Brakes Group, Front Solid (Standard)	2- 56
Fig. 29 - Wheel and Brakes Group, Front Pneumatic (Option)	2- 58
Fig. 30 - Brake Pedal and Parking Brake Group	2- 60
Fig. 31 - Directional Pedal Group	2- 62
Fig. 32 - Hydraulic Pump Linkage Group, S30 and XP	2- 64
Fig. 33 - Hopper Group, Plastic	2- 66
Fig. 34 - Hopper Group, Steel	2- 68
Fig. 35 - Hopper Cylinder and Dump Door Group, Plastic	2- 70
Fig. 36 - Hopper Cylinder and Dump Door Group, Steel	2- 72
Fig. 37 - Hopper Cover Group	2- 74
Fig. 38 - Hopper Lift Arms and Bumper Group	2- 76
Fig. 39 - Hopper Counter Weight Group, Steel	2- 78
Fig. 40 - Hopper Pre- Filter Group	2- 80
Fig. 41 - Hopper Vacuum Fan Group	2- 82
Fig. 42 - Hopper Filter Shaker Group	2- 84
Fig. 43 - Side Brush Lift Group, S30	2- 86

Contents	Page
Fig. 44 - Side Brush Motor and Pivot Group, S30	2- 88
Fig. 45 - Side Brush Motor Group, S30 XP	2- 90
Fig. 46 - Side Brush Lift and Pivot Group, S30 XP	2- 92
Fig. 47 - Main Brush Lift Group, S30	2- 94
Fig. 48 - Main Brush Lift Group, S30 XP	2- 96
Fig. 49 - Main Brush Drive Group	2- 98
Fig. 50 - Hydraulic Schematic	2- 100
Fig. 51 - Hydraulic Hose Group, S30	2- 102
Fig. 52 - Hydraulic Hose Group, S30 XP	2- 104
Fig. 53 - Hydraulic Reservoir Group	2- 106
Fig. 54 - Hydraulic Cooler and Tubes Group	2- 108
Fig. 55 - Hydraulic Pumps Group, S30 and XP	2- 110
Fig. 56 - Hydraulic Valve Group, S30	2- 112
Fig. 57 - Hydraulic Valve Group, S30 XP	2- 114
Fig. 58 - Electrical Schematic, S30	2- 116
Fig. 59 - Electrical Schematic, S30 XP	2- 120
Fig. 60 - Electrical Schematic, Gas Engine Harness (1 of 2)	2- 124
Fig. 61 - Electrical Schematic, LPG Engine Harness (1 of 2)	2- 126
Fig. 62 - Electrical Wire Harnesses Group	2- 128
Fig. 63 - Label Group	2- 136

Fig. 1 - Brushes, Replacement

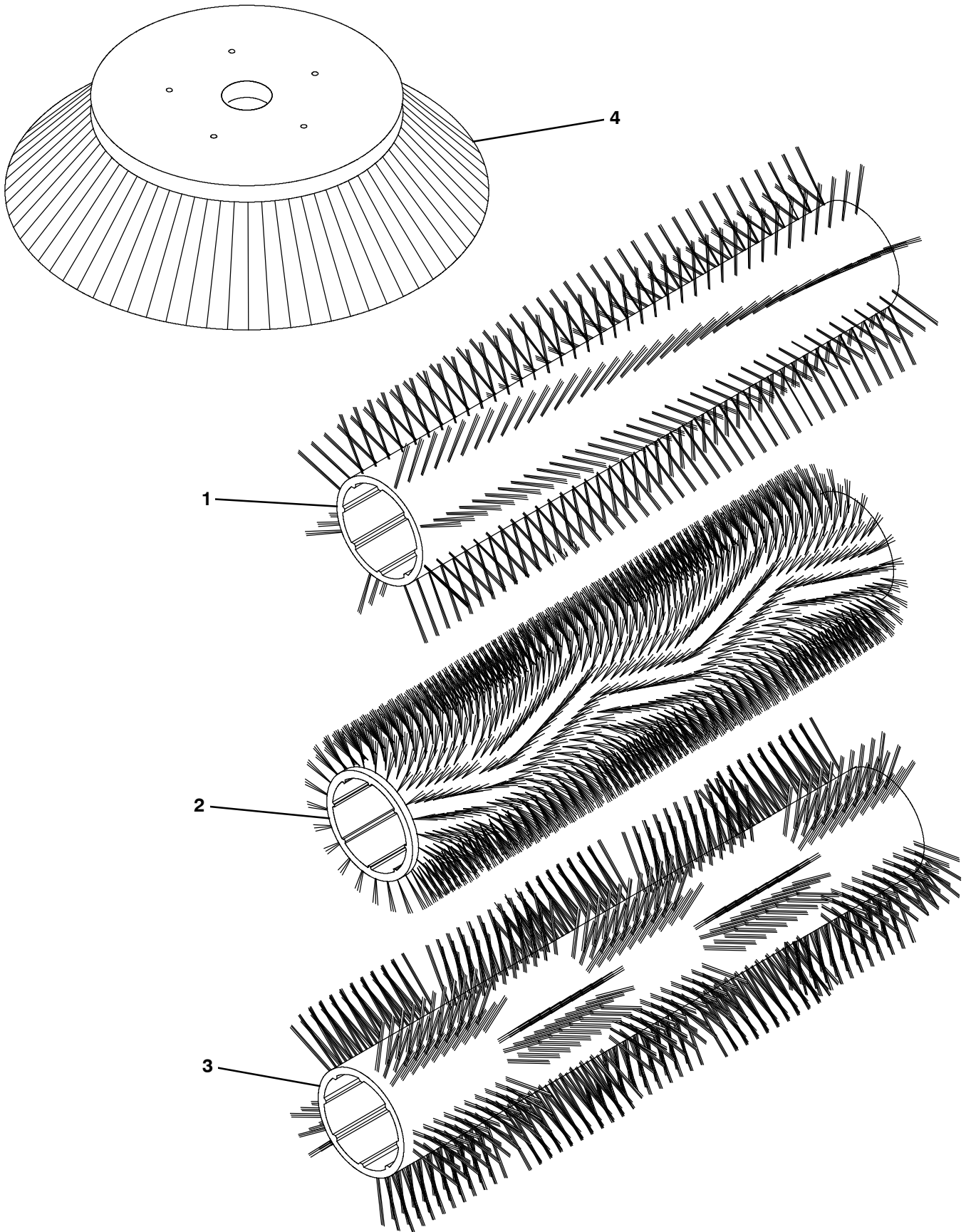


Fig. 1 - Brushes, Replacement

Ref.	Part No.	Serial Number	Description	Qty.
1	54927	(006501-	) Brush, Swp, 45L, 24 Single Row, Natural Fiber & Wire, Spiral	1
1	54922	(006501-	) Brush, Swp, 45L, 24 Single Row, Nylon, Spiral	1
1	54923	(006501-	) Brush, Swp, 45L, 8 Double Row, Nylon, Spiral	1
1	54925	(006501-	) Brush, Swp, 45L, 8 Double Row, Polypropylene & Wire, Spiral	1
1	59440	(006501-	) Brush, Swp, 45L, 8 Double Row, Wire, Spiral	1
1	66019	(006501-	) Brush, Swp, 45L, 8 Double Row, Polypropylene, Spiral	1
1	66018	(006501-	) Brush, Swp, 45L, 5 Double Row Patrol, Nylon, Spiral	1
2	370008	(006501-	) Brush, Swp, 45L, Sand Wedge, Polypropylene, Spiral	1
3	370009	(006501-	) Brush, Swp, 45L, Window , Polypropylene, Spiral	1
4	1027380	(006501-	) Brush, Disk, Swp, 26.0 D, Polypropylene	1
4	1041102	(006501-	) Brush, Disk, Swp, 26.0 D, Nylon	1
4	1042097	(006501-	) Brush, Disk, Swp, 25.4 D, Flat Wire	1

**Fig. 2 - Main Frame Group**

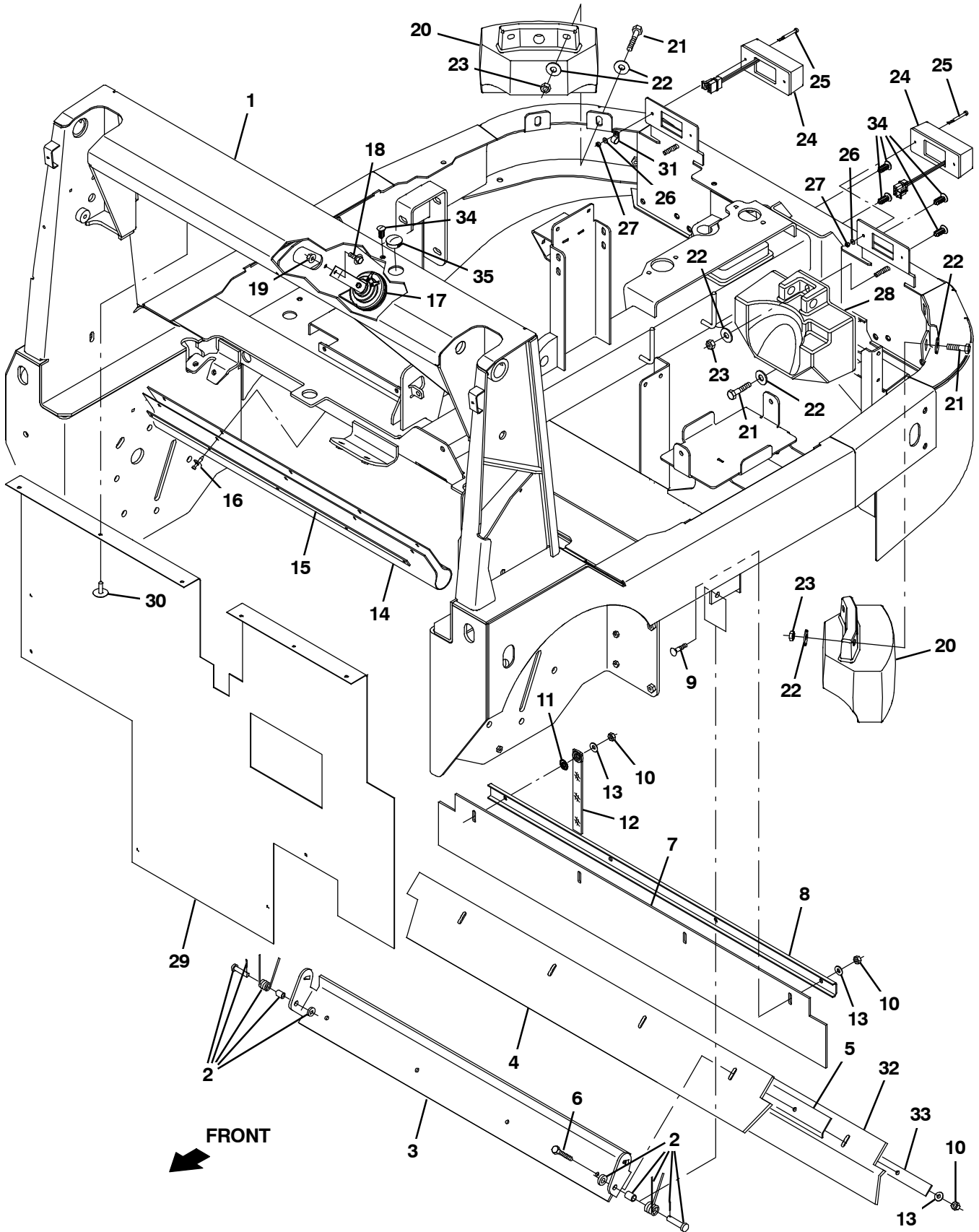


Fig. 2 - Main Frame Group

Ref.	Part No.	Serial Number	Description	Qty.	
1	1028252	(006501-	) Frame Wldt, Main [S30]	1	
2	69904	(006501-	) Spring Assy Kit	2	
3	54182	(006501-	) Bracket, Flap, Recirculation	1	
4	1212137	(006501-	) Skirt, Neo, .37, 06.00w 44.65l, 04/SI	1	
5	1212908	(006501-	) Retainer, Blade, Deflector	1	
6	41342	(006501-	) Screw, Hex, M8 X 1.25 X 40, 8.8	4	
7	1045348	(006501-	) Skirt, Neo, .18, 06.74w 50.00l, 04/ SI	1	
8	383161	(006501-	) Channel, .12, 1.5w 0.5 44.6l, 3/0.4h	1	
9	69915	(006501-	) Bolt, Carriage, M8 X 1.25 X 40	4	
10	08709	(006501-	) Nut, Hex, Lock, M8 X 1.25, NI	8	
11	41142	(006501-	) Washer, Lock, Int- Ext, 0.38	1	
12	71579	(006501-	) Strap, Static, W/Grommet, .19 1.1w 25.0l	1	
13	32491	(006501-	) Washer, Flat, 0.31, Std	8	
14	1036913	(006501-	) Skirt, Rbr, .12, 10.66w 43.00l, 10/ SI	1	
15	1040146	(006501-	) Strip, Backing, Hppr	1	
16	21246	(006501-	) Rivet, Plstc, .325d X 0.79	5	
17	369704	(006501-	) Horn, 12vdc, Dba [Wolo]	1	
18	1037346	(006501-	) Screw, Hex, M8 X 1.25 X 25, 9.8, Sems	1	
19	07791	(006501-	) Nut, Hex, Flng, M8 X 1.25	2	
20	1036819	(006501-	) Weight, Counter, Casting, 79.9 Lb	2	
21	16930	(006501-	) Screw, Hex, M10 X 1.50 X 50, 8.8	5	
22	32493	(006501-	) Washer, Flat, 0.50, Std	10	
23	41430	(006501-	) Nut, Hex, Lock, M10 X 1.5, NI	5	
▽	24	1033578	(006501-	) Taillight, 12vdc, 6.3 X 2.5	2
▲	45780	(006501-	) Lamp, 12vdc, 0.5a, 04cp [#1157]	1	
25	377165	(006501-	) Screw, Pan, Phl, M4 X 0.70 X 60, 4.8	4	
26	19065	(006501-	) Washer, Flat, 08	4	
27	02850	(006501-	) Nut, Hex, Lock, M4 X 0.70, NI	4	
28	1031503	(006501-	) Weight, Counter, Casting, 72.8lb (S30 and S30XP Only)	1	
29	1212838	(006501-	) Skirt, Rubber	1	
30	72968	(006501-	) Rivet, Plstc, .250d X 0.90	13	
31	26395- 2	(006501-	) Clamp, Cable, Stl, 0.38d X 0.38w, 1hole	1	
32	1212912	(006501-	) Skirt, Neo, .18, 6.42w X 48.73l, 04/SI	1	
33	1212959	(006501-	) Retainer, Blade, Deflector	1	
34	1055605	(006501-	) Plug, Hole, Rnd, 0.38h .4- .7, Blk Nyl	5	
35	1061216	(006501-	) Plug, Hole, Rnd, 1.37h 0.45l, Blk Nyl	1	

Fig. 3 - Brush Door Group, Right

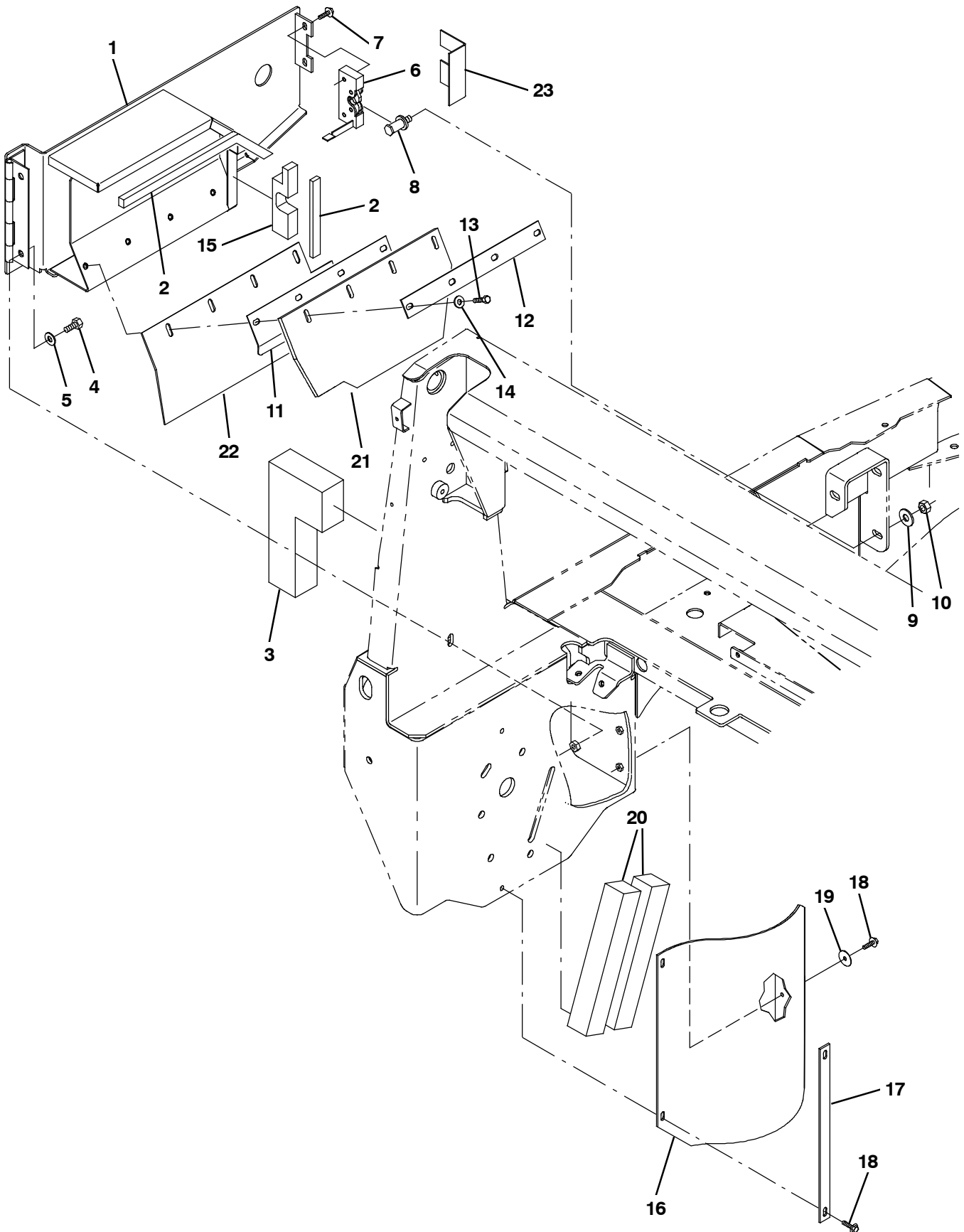


Fig. 3 - Brush Door Group, Right

Ref.	Part No.	Serial Number	Description	Qty.
1	1029580	(006501-	) Door Wldt, Brush, Rh	1
2	1046428	(006501-	) Seal, Afmkt, Rbr, Clsd, Adh, 02ft	2
3	1042812	(006501-	) Seal, Rbr, Clsd, 2.00w 09.8l Rh	1
4	370181	(006501-	) Screw, Hex, M10 X 1.50 X 25, 10.9	2
5	32492	(006501-	) Washer, Flat, 0.38, Std	2
6	59195	(006501-	) Latch, Hook	1
7	1036892	(006501-	) Screw, Hex, M6 X 1.00 X 25, 9.8 Sems	2
8	59192	(006501-	) Latch, Bolt	1
9	41619	(006501-	) Washer, Flat, 0.56b 1.38d .11, Ss	1
10	07788	(006501-	) Nut, Hex, Std, M12 X 1.75, Ss	1
11	1045352	(006501-	) Bracket, Skirt	1
12	1039320	(006501-	) Retainer, Skirt, .12, 1.5w X 14.4l, Blk	1
13	76570	(006501-	) Screw, Hex, M8 X 1.25 X 30, 8.8	4
14	32491	(006501-	) Washer, Flat, 0.31, Std	4
15	1212451	(006501-	) Seal, Rbr, Clsd, 1.50, Door, Brush, Rh	1
16	1214146	(006501-	) Skirt, Deflector	1
17	1033343	(006501-	) Bracket, Retainer, Seal	2
18	1037345	(006501-	) Screw, Hex, M6 X 1.00 X 30, 9.8, Sems	8
19	41187	(006501-	) Washer, Flat, Belleville, .38	4
20	1042791	(006501-	) Insulation, Acstc, 2.0, 02.0 X 12.0	2
21	1212911	(006501-	) Skirt Assy, Door, Brush, Rh	1
22	1212134	(006501-	) Skirt, Door, Brush	1
23	1213336	(006501-	) Skirt, Brush Arm	1

Fig. 4 - Brush Door Group, Left

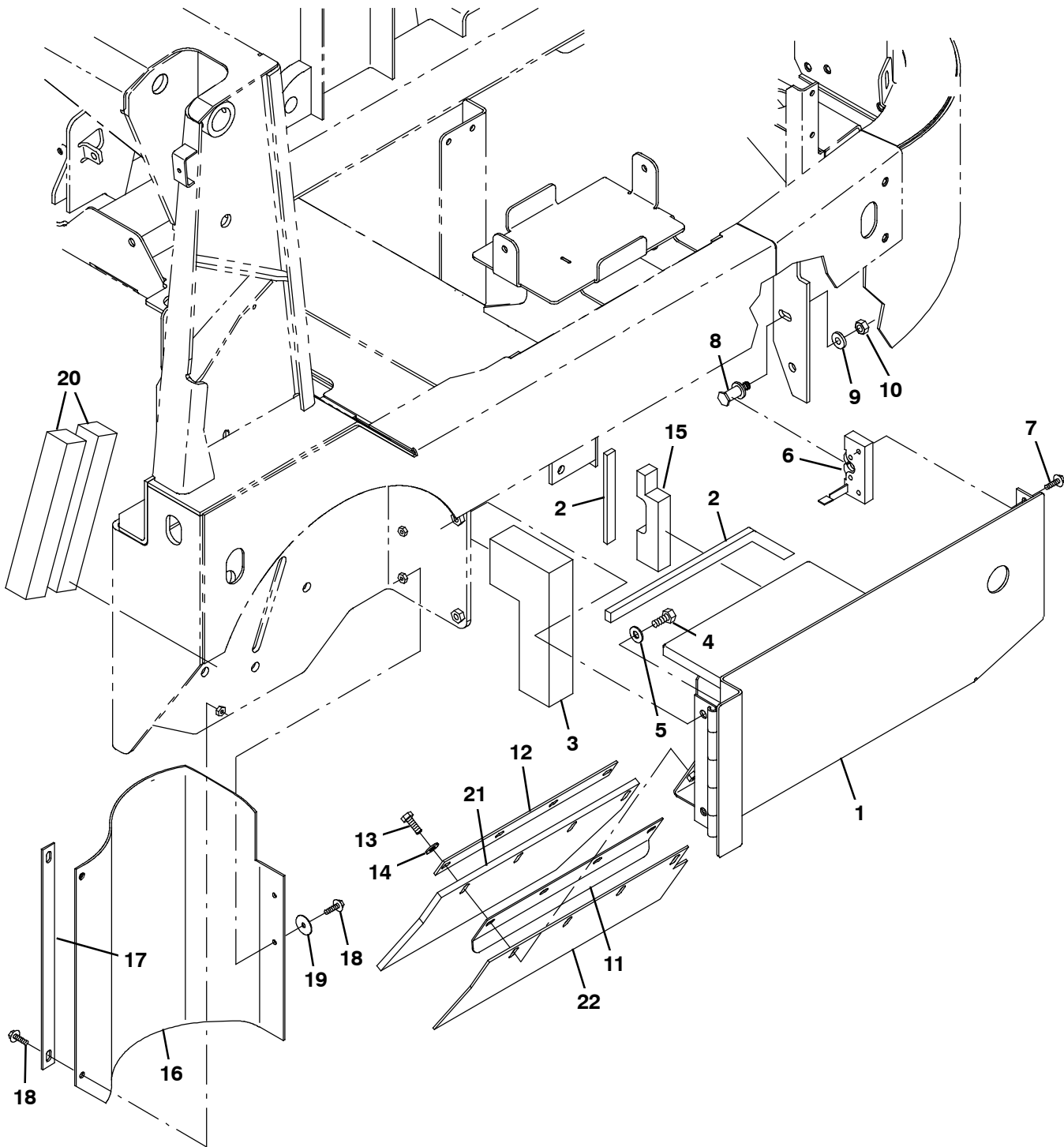


Fig. 4 - Brush Door Group, Left

Ref.	Part No.	Serial Number	Description	Qty.
1	1029801	(006501-	) Door Wldt, Brush, Lh	1
2	1046428	(006501-	) Seal, Afmkt, Rbr, Clsd, Adh, 02ft	2
3	1042829	(006501-	) Seal, Rbr, Clsd, 2.00w 09.8l Lh	1
4	370181	(006501-	) Screw, Hex, M10 X 1.50 X 25, 10.9	2
5	32492	(006501-	) Washer, Flat, 0.38, Std	2
6	59194	(006501-	) Latch, Hook	1
7	1036892	(006501-	) Screw, Hex, M6 X 1.00 X 25, 9.8 Sems	2
8	59192	(006501-	) Latch, Bolt	1
9	41619	(006501-	) Washer, Flat, 0.56b 1.38d .11, Ss	1
10	07788	(006501-	) Nut, Hex, Std, M12 X 1.75, Ss	1
11	1045352	(006501-	) Bracket, Skirt	1
12	1039320	(006501-	) Retainer, Skirt, .12, 1.5w X 14.4l, Blk	1
13	76570	(006501-	) Screw, Hex, M8 X 1.25 X 30, 8.8	4
14	32491	(006501-	) Washer, Flat, 0.31, Std	4
15	1212452	(006501-	) Seal, Rbr, Clsd, 1.00, Door, Brush, Lh	1
16	1214146	(006501-	) Skirt, Deflector	1
17	1033343	(006501-	) Bracket, Retainer, Seal	2
18	1037345	(006501-	) Screw, Hex, M6 X 1.00 X 30, 9.8, Sems	8
19	41187	(006501-	) Washer, Flat, Belleville, .38	4
20	1042791	(006501-	) Insulation, Acstc, 2.0, 02.0 X 12.0	2
21	1212910	(006501-	) Skirt Assy, Door, Brush, Lh	1
22	1212134	(006501-	) Skirt, Door, Brush	1

Fig. 5 - Operator Station Group

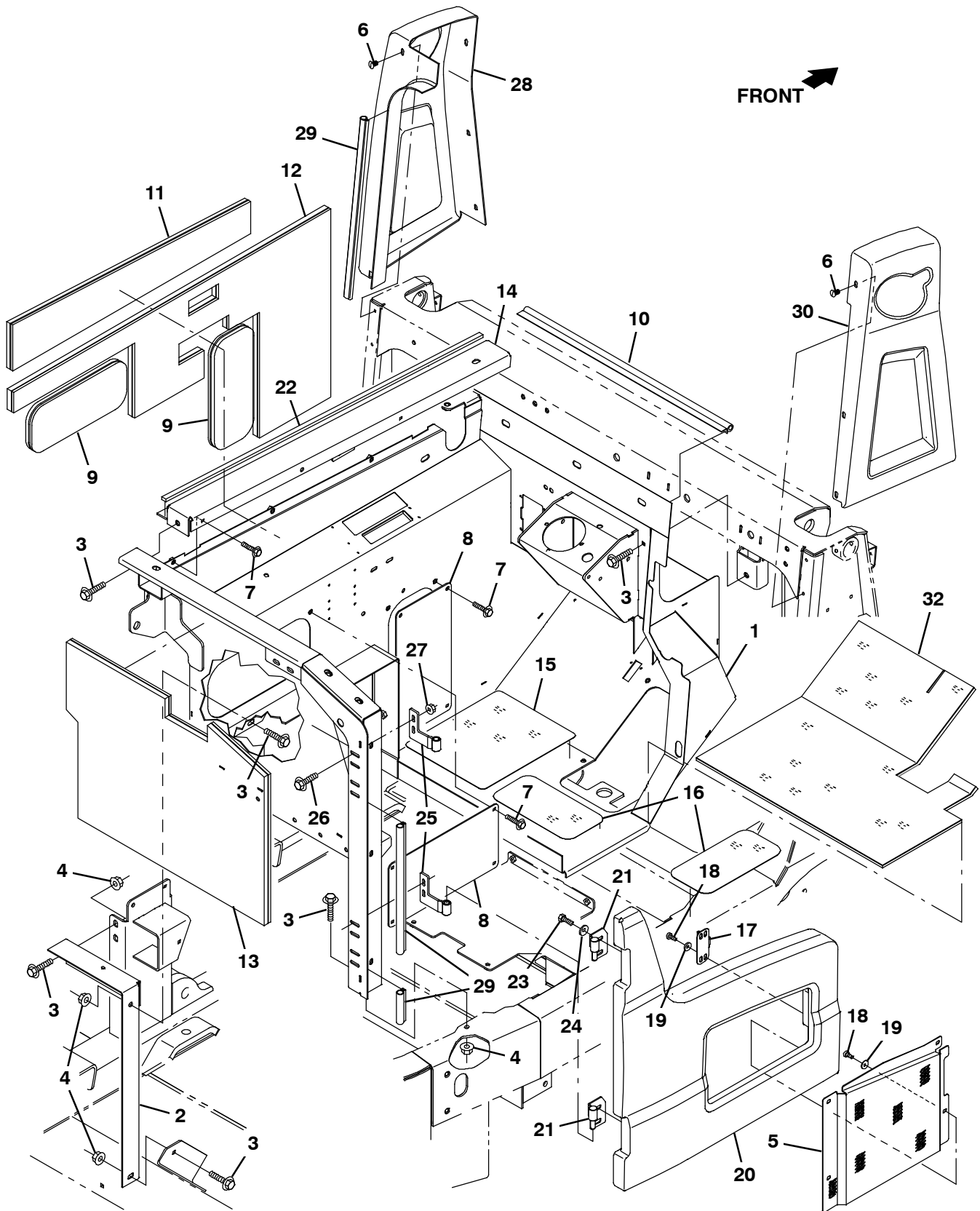


Fig. 5 - Operator Station Group

Ref.	Part No.	Serial Number	Description	Qty.
1	1058273	(006501-	) Shroud Wldt, Station, Oprtr	1
2	1032315	(006501-	) Channel	1
3	1037358	(006501-	) Screw, Hex, M10 X 1.50 X 35, 9.8, Sems	9
4	07792	(006501-	) Nut, Hex, Flng, M10 X 1.50	5
5	1064528	(006501-	) Panel, Shrd, Seat	1
6	21168	(006501-	) Clip, .250h, Plstc [Pine- Tree]	12
7	1037346	(006501-	) Screw, Hex, M8 X 1.25 X 25, 9.8, Sems	14
8	1028201	(006501-	) Panel, Side, Access	2
9	1038806	(006501-	) Insulation, Flame- Retardant, 0.75- 0.88	2
10	1038959	(006501-	) Seal, Trim, Bulb, 90 Degree	1
11	1033288	(006501-	) Insulation, Flame- Retardant, 0.75- 0.88	1
12	1033287	(006501-	) Insulation, Flame- Retardant, 0.75- 0.88	1
13	1033286	(006501-	) Insulation, Flame- Retardant, 0.75- 0.88	1
14	1059307	(006501-	) Lip Wldt, Station, Oprtr	1
15	86799	(006501-	) Tread, Non- Skid, 10.0w 12.0l	1
16	223350	(006501-	) Tread, Non- Skid, 04.5w 10.0l	2
17	1026825	(006501-	) Bracket, Latch, Shrd, Seat	1
18	09200	(006501-	) Screw, Pan, Phl, M5 X 0.80 X 12, Ss	6
19	19066	(006501-	) Washer, Flat, 10	6
20	9007979	(006501-	) Cover, Seat, Rotomold, Afmkt [S30]	1
21	1057880	(006501-	) Hinge Wldt, Shrd, Rh	2
22	1046426	(006501-	) Seal, Afmkt, Rbr, Clsd, Adh, 08ft	1
23	16735	(006501-	) Screw, Hex, M8 X 1.25 X 16, 8.8	4
24	32491	(006501-	) Washer, Flat, 0.31, Std	4
25	1057875	(006501-	) Hinge Wldt, Shrd, Rh	2
26	1036892	(006501-	) Screw, Hex, M6 X 1.00 X 25, 9.8, Sems	4
27	07790	(006501-	) Nut, Hex, Flng, M6 X 1.00	4
28	9007977	(006501-	) Cover, Lntl, Lh, Rotomold, Afmkt [S30]	1
29	1030588	(006501-	) Seal, Afmkt, Bulb, 90, 0.75d F/11ga 02ft	2
30	9007978	(006501-	) Cover, Lntl, Rh, Rotomold, Afmkt [S30]	1

**Fig. 6 - Seat and Shroud Group**

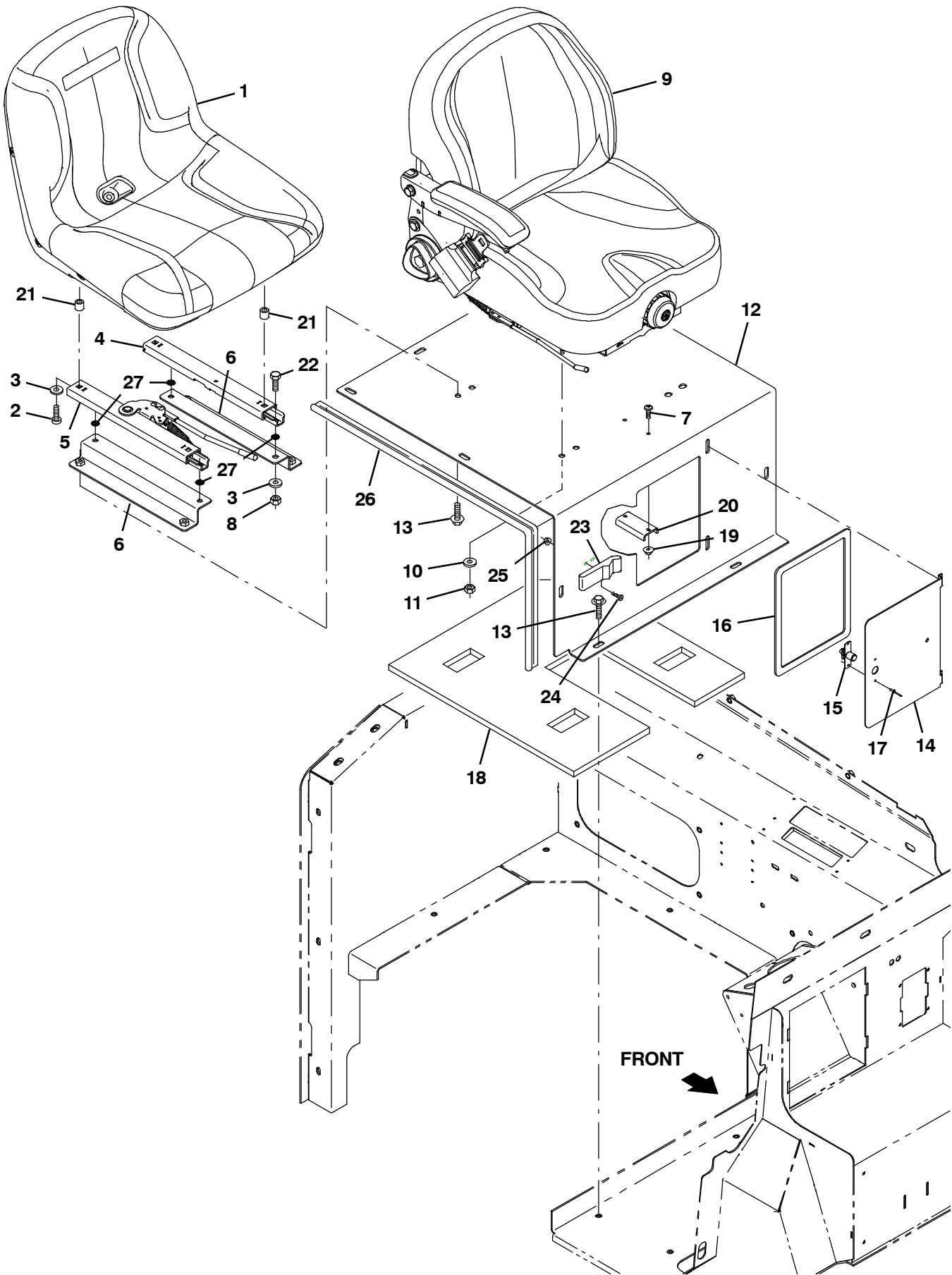


Fig. 6 - Seat and Shroud Group

Ref.	Part No.	Serial Number	Description	Qty.
1	1201894	(006501-	) Seat, Std [Milsco] (S30 Only)	1
2	49177	(006501-	) Screw, Pan, Phl, .31- 18 X 1.00, G2	4
3	69461	(006501-	) Washer, Flat, 0.38b 0.88d .12, Stl, Pl	12
4	1077067	(006501-	) Track, N- Lkg, Seat, 12.5l, No Stud	1
5	1077071	(006501-	) Track, Locking, 12.5l, No Stud W/Handle	1
6	1040363	(006501-	) Bracket, Angle, Mtg, Seat	2
7	06933	(006501-	) Screw, Pan, Phl, M5 X 0.80 X 16, 4.8	2
8	32983	(006501-	) Nut, Hex, Lock, .31- 18, NI	4
9	9018735	(006501-	) Seat, Deluxe, Replmt (S30XP Only) (See Breakdowns)	1
10	32491	(006501-	) Washer, Flat, 0.31, Std (S30XP Only)	4
11	32983	(006501-	) Nut, Hex, Lock, .31- 18, NI (S30XP Only)	4
12	1036502	(006501-	) Panel, Seat	1
13	1037346	(006501-	) Screw, Hex, M8 X 1.25 X 25, 9.8, Sems	13
14	1036489	(006501-	) Door, Access	1
15	140962	(006501-	) Latch, Cmpr, Spring, Knurled Knob, Pl	1
16	1036500	(006501-	) Gasket, Rbr, .13, 07.87w 09.84l, Adh	1
17	87316	(006501-	) Rivet, Blind, .125d X 0.32 X .25d, Alm	2
18	1033291	(006501-	) Insulation, Flame- Retardant, 1.00	1
19	07789	(006501-	) Nut, Hex, Flng, M5 X 0.80	2
20	63378	(006501-	) Magnet, Drive Brush	1
21	1051052	(006501-	) Spacer, Rnd, .38b .88d .38l	4
22	79665	(006501-	) Screw, Hex, .31- 18 X 1.00, G5	4
23	49800	(006501-	) Latch	1
24	06928	(006501-	) Screw, Pan, Phl, M4 X 0.70 X 20, 4.8	2
25	02850	(006501-	) Nut, Hex, Lock, M4 X 0.70, NI	2
26	1031625	(006501-	) Seal, Afmkt, Bulb, Str, .50d F/11ga 03ft	1
27	1077073	(006501-	) Nut, Push, Bolt Retention, Stl,5/16 Thrd	4

**Fig. 7 - Engine Cover Group, Rear**

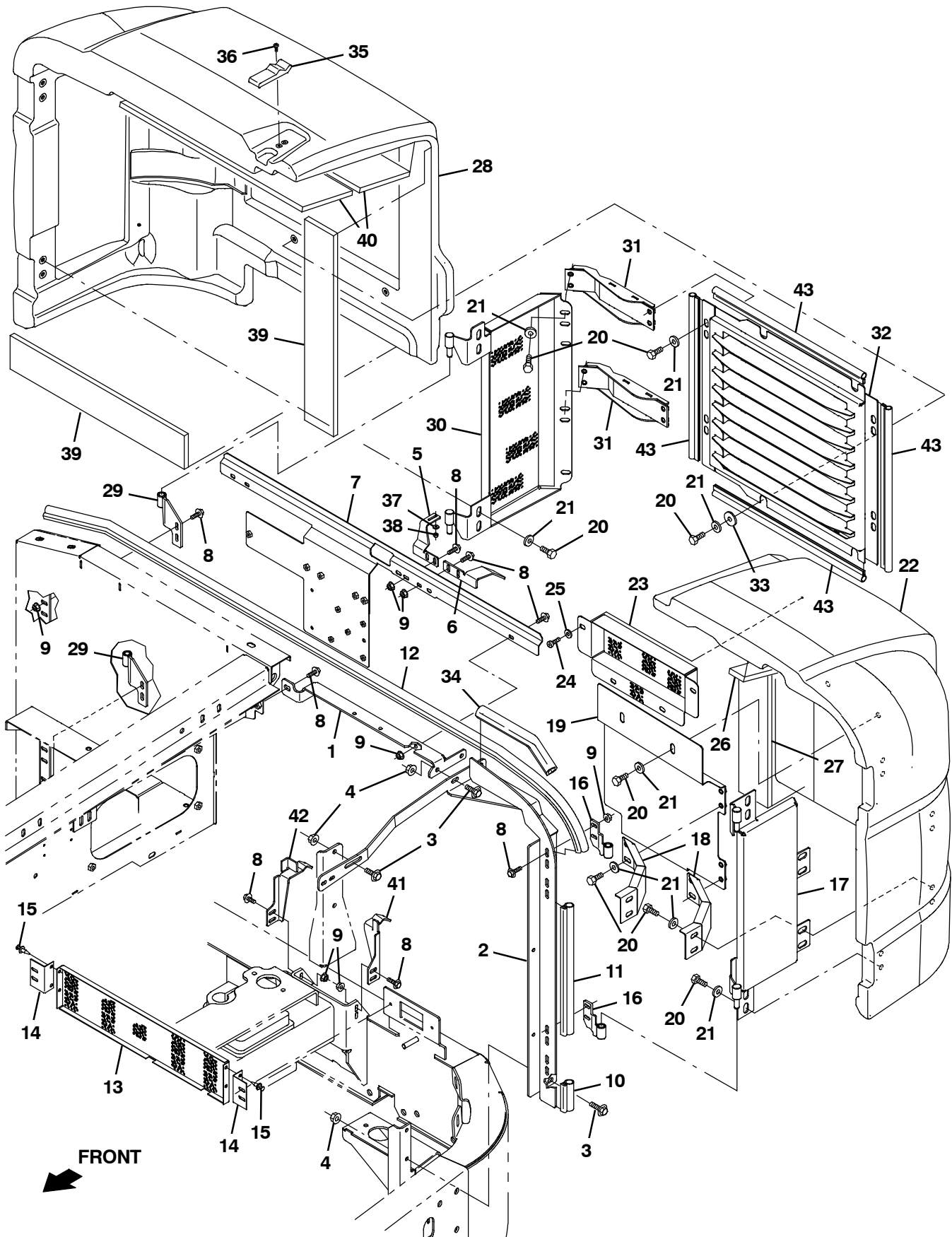


Fig. 7 - Engine Cover Group, Rear

Ref.	Part No.	Serial Number	Description	Qty.
1	1057778	(006501-	) Bracket, Sppt, Cover, Rear, Lh	1
2	1057776	(006501-	) Brace Wldt, Sppt	1
3	1037346	(006501-	) Screw, Hex, M8 X 1.25 X 25, 9.8, Sems	5
4	07791	(006501-	) Nut, Hex, Flng, M8 X 1.25	5
5	1060449	(006501-	) Bracket, Latch, Shrd	1
6	1059479	(006501-	) Bracket, Sppt, Shrd, Rear, Upper, Lh	1
7	1057786	(006501-	) Bracket, Sppt, Rear, Shrd	1
8	1036892	(006501-	) Screw, Hex, M6 X 1.00 X 25, 9.8, Sems	20
9	07790	(006501-	) Nut, Hex, Flng, M6 X 1.00	9
10	1030585	(006501-	) Seal, Afmkt, Bulb, 90, 0.75d F/11ga 01ft	1
11	1030588	(006501-	) Seal, Afmkt, Bulb, 90, 0.75d F/11ga 02ft	1
12	1030593	(006501-	) Seal, Afmkt, Bulb, 90, 0.75d F/11ga 08ft	1
13	1032962	(006501-	) Grill	1
14	1034378	(006501-	) Bracket, Grill	2
15	1040816	(006501-	) Rivet, Plstc, .250d X 0.90	4
16	1059874	(006501-	) Hinge Wldt, Shrd, Lh	2
17	1059996	(006501-	) Panel Wldt, Heat, Shield, Lh	1
18	1059211	(006501-	) Bracket, Sppt, Cover, Rear, Lh	2
19	1061000	(006501-	) Panel, Heat, Shield, Rear, Lh	1
20	16735	(006501-	) Screw, Hex, M8 X 1.25 X 16, 8.8	31
21	32491	(006501-	) Washer, Flat, 0.31, Std	21
22	9007974	(006501-	) Cover, Rear, Lh, Rotomold, Afmkt [S30]	1
23	1059440	(006501-	) Panel, Shrd, Eng	1
24	360973	(006501-	) Screw, Pan, 12- 16 X 0.50, F/ Plstc	4
25	19066	(006501-	) Washer, Flat, 10	4
26	1061147	(006501-	) Insulation, Acstc, 0.5, 11.5 X 14.5 Adh	1
27	1061145	(006501-	) Insulation, Acstc, 0.5, 03.0 X 23.0 Adh	1
28	9007975	(006501-	) Cover, Rear, Rh, Rotomold, Afmkt [S30]	1
29	1060639	(006501-	) Hinge Wldt, Shrd, Rh	2
30	1059520	(006501-	) Grill Wldt, Screen, Rear, Rh	1
31	1059516	(006501-	) Bracket Wldt, Sppt, Cover, Rear, Rh	2
32	1059481	(006501-	) Grill Wldt, Rear, Rh	1
33	30013	(006501-	) Washer, Flat, 0.31, Fendr	4
34	1015274	(006501-	) Seal, Afmkt, Bulb, Str, 0.76, 0.93w 01ft	1
35	49800	(006501-	) Latch	1
36	06927	(006501-	) Screw, Pan, Phl, M4 X 0.70 X 16, 4.8	4
37	19064	(006501-	) Washer, Flat, 0.16b 0.38d .05, Pl, 06	2
38	02850	(006501-	) Nut, Hex, Lock, M4 X 0.70, NI	2
39	1061145	(006501-	) Insulation, Acstc, 0.5, 03.0 X 23.0 Adh	2
40	1061146	(006501-	) Insulation, Acstc, 0.5, 05.5 X 23.0 Adh	2
41	1059477	(006501-	) Bracket, Sppt, Shrd, Rear, Lower, Lh	1
42	1059478	(006501-	) Bracket, Sppt, Shrd, Rear, Lower, Rh	1
43	1031623	(006501-	) Seal, Afmkt, Bulb, Str, .50d F/11ga 02ft	4

**Fig. 8 - Engine Cover Group, Top**

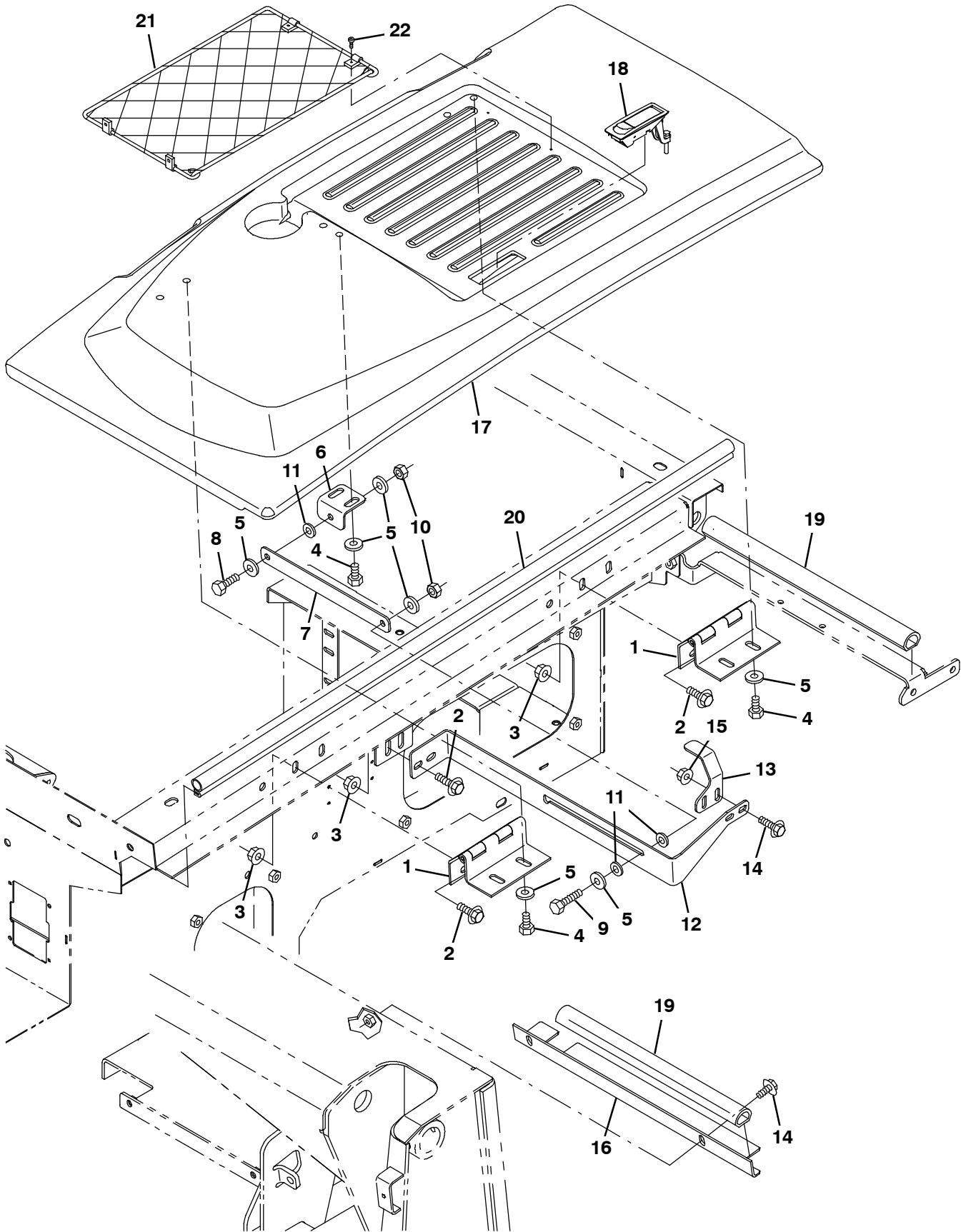


Fig. 8 - Engine Cover Group, Top

Ref.	Part No.	Serial Number	Description	Qty.
1	1057961	(006501-	) Hinge, .25pin .12, Cover, Top	2
2	1037346	(006501-	) Screw, Hex, M8 X 1.25 X 25, 9.8, Sems	6
3	07791	(006501-	) Nut, Hex, Flng, M8 X 1.25	6
4	16735	(006501-	) Screw, Hex, M8 X 1.25 X 16, 8.8	6
5	32491	(006501-	) Washer, Flat, 0.31, Std	10
6	1059285	(006501-	) Bracket, Prop, Rod, Cover	1
7	1059286	(006501-	) Plate, Prop, Rod	1
8	39277	(006501-	) Screw, Hex, M8 X 1.25 X 25, 8.8	1
9	06955	(006501-	) Screw, Hex, M8 X 1.25 X 35, 8.8	1
10	08709	(006501-	) Nut, Hex, Lock, M8 X 1.25, NI	2
11	43611	(006501-	) Washer, Flat, 0.39b 0.75d .06, Nyl	3
12	1059276	(006501-	) Bracket, Sppt, Prop, Rod	1
13	1059291	(006501-	) Bracket, Latch, Cover, Top	1
14	1036892	(006501-	) Screw, Hex, M6 X 1.00 X 25, 9.8, Sems	4
15	07790	(006501-	) Nut, Hex, Flng, M6 X 1.00	2
16	1059269	(006501-	) Bracket, Angle, Lintel	1
17	9007976	(006501-	) Cover, Top, Rotomold, Afmkt [S30]	1
18	398806	(006501-	) Latch	1
19	1015273	(006501-	) Seal, Afmkt, Bulb, Str, 0.76, 0.93w 02ft	2
20	1030593	(006501-	) Seal, Afmkt, Bulb, 90, 0.75d F/11ga 08ft	1
21	CD001	(006501-	) Glovenet- 525 Document Rack/Net 60200104-	1
22	1053318	(006501-	) Screw, Pan, Phl, 08- 16 X 1.00, F/ Plstc	4

**Fig. 9 - Engine Cover Group, Side**

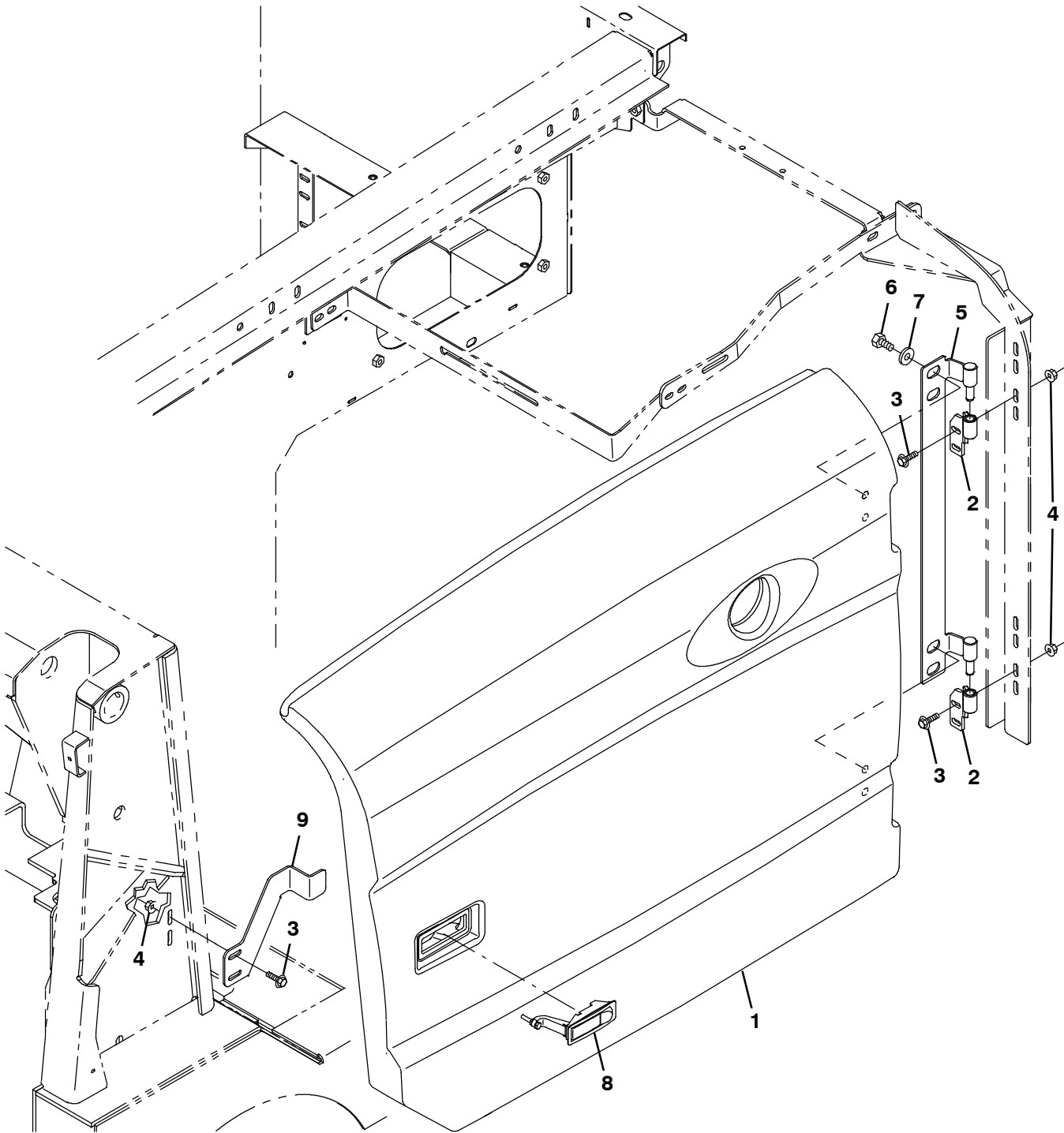


Fig. 9 - Engine Cover Group, Side

Ref.	Part No.	Serial Number	Description	Qty.
1	9007973	(006501-	) Cover, Side, Rotomold, Afmkt [S30]	1
2	1059874	(006501-	) Hinge Wldt, Shrd, Lh	2
3	1036892	(006501-	) Screw, Hex, M6 X 1.00 X 25, 9.8, Sems	6
4	07790	(006501-	) Nut, Hex, Flng, M6 X 1.00	6
5	1059868	(006501-	) Hinge Wldt, Shrd, Side, Lh	1
6	16735	(006501-	) Screw, Hex, M8 X 1.25 X 16, 8.8	4
7	1017218	(006501-	) Washer, Flat, 0.32b 1.00d .12, Ss	4
8	398806	(006501-	) Latch	1
9	1059221	(006501-	) Bracket, Latch, Side, Door	1

Fig. 10 - Instrument Panel Group, S30

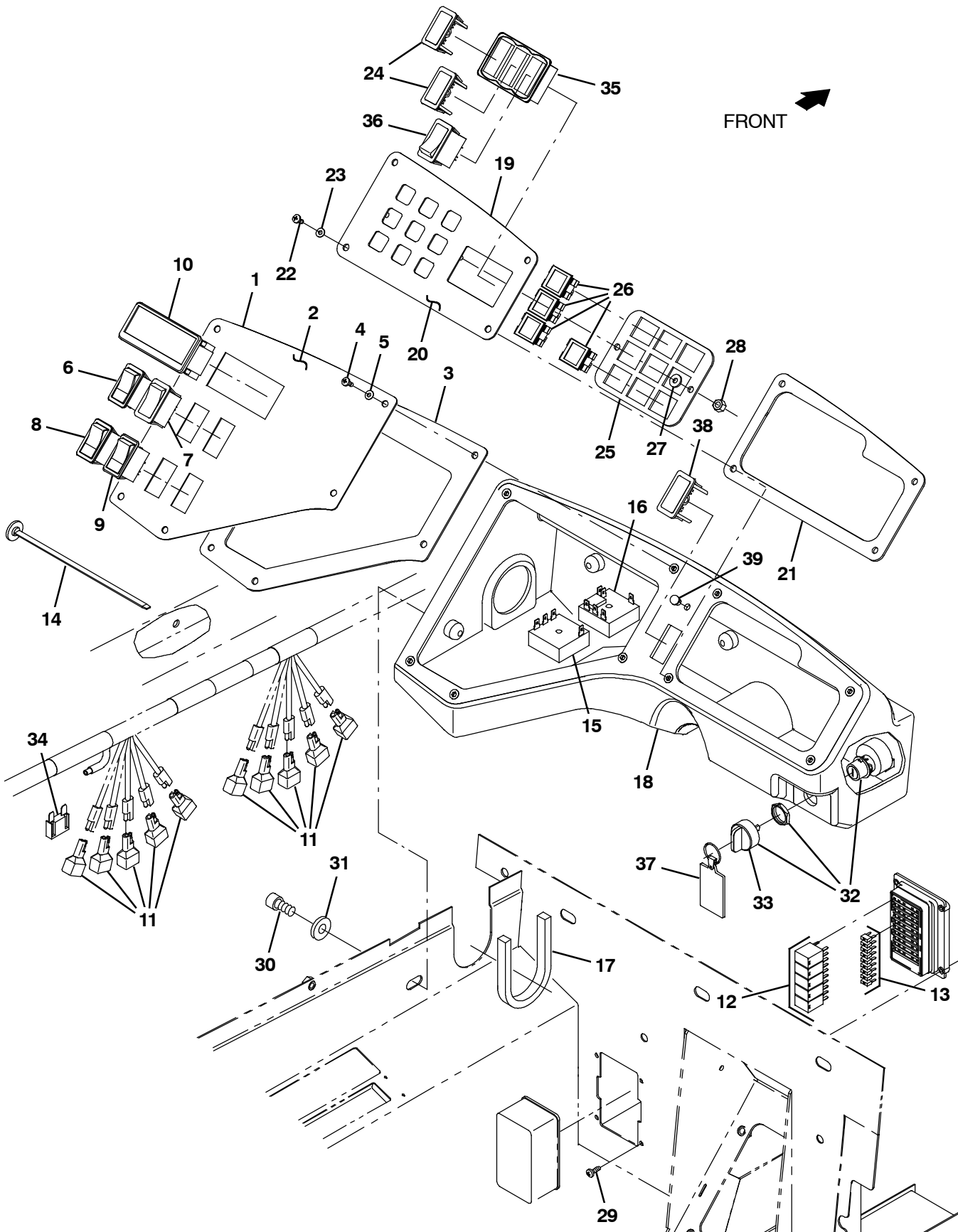


Fig. 10 - Instrument Panel Group, S30

Ref.	Part No.	Serial Number	Description	Qty.
▽	9004529	(006501-	) Panel Assy, Instmt, Basic, Replmt	1
▲	1 1031683	(006501-	) Panel, Instrument, Basic	1
▲	2 1033884	(006501-	) Label, Panl, Instmt, Basic	1
▲	3 1031211	(006501-	) Gasket, Panel, Instmt	1
▲	4 1045487	(006501-	) Screw, Pan, Phl, M5 X 0.80 X 16, Blk	5
▲	5 1012615	(006501-	) Washer, Flat, 0.19b 0.44d .03, Nyl, Blk	5
	6 377084	(006501-	) Switch, Rocker, Prgrsv	1
	7 398528	(006501-	) Switch, Rocker, Dpdt, On / Off / Mom	1
	8 398508	(006501-	) Switch, Rocker, Dpdt, Mom / Off / Mom	1
	9 397889	(006501-	) Switch, Rocker, Dpst, On / None / On	1
	10 1028750	(006501-	) Indicator, Ele, [Multi- Display]	1
	11 222290	(006501-	) Diode, Ele, Plug	10
	12 1028832	(006501-	) Relay, 12vdc, 35a, Spdt [Micro 280]	5
	13 1030985	(006501-	) Fuse, Blade, 15a, 32v [Mini]	9
	14 1041873	(006501-	) Fastener, Wire, Tie [Button Head]	2
	15 34816	(006501-	) Timer, 12vdc, 30sec On	1
	16 1030813	(006501-	) Timer, 12vdc, 6sec Spcl [Tosr116]	1
	17 1035153	(006501-	) Gasket, Harness	1
	18 1035507	(006501-	) Box, Instrument, li, Trimmed	1
▽	9004528	(006501-	) Panel Assy, Switch, Replmt	1
▲	19 1033771	(006501-	) Panel, Switch li	1
▲	20 1033883	(006501-	) Label, Panl, Instmt, Rh	1
▲	21 1031664	(006501-	) Gasket, Panel, Switch	1
▲	22 1045487	(006501-	) Screw, Pan, Phl, M5 X 0.80 X 16, Blk	4
▲	23 1012615	(006501-	) Washer, Flat, 0.19b 0.44d .03, Nyl, Blk	4
	24 398501	(006501-	) Plug, Hole, Rt, Rocker Switch, .87 X 1.7	2
	25 1033760	(006501-	) Panel, Light	1
	26 361075	(006501-	) Light, Panl, 14vdc, 1.1 X 1.0	4
	27 19066	(006501-	) Washer, Flat, 10	2
	28 08708	(006501-	) Nut, Hex, Lock, M6 X 1.00, NI	2
	29 39239	(006501-	) Screw, Pan, Phl, 10- 32 X 0.50, G2, Blk	4
	30 1056769	(006501-	) Screw, Soc, M10 X 1.50 X 16, 12.9	4
	31 32485	(006501-	) Washer, Flat, 0.38, Sae	4
▽	32 1028790	(006501-	) Switch, Key, 4 Pos [Honeywell]	1
▲	33 9004545	(006501-	) Key, Ignition [Replmt W/O Dust Boot]	1
	34 394922	(006501-	) Fuse, Blade, 060a [Maxi]	1
	35 1029951	(006501-	) Bezel, Switch [3 Gang]	1
	36 377084	(006501-	) Switch, Rocker, Prgrsv	1
	37 1075003	(006501-	) Keychain, Rectangle, Parts & Service	1
	38 398501	(008141-	) Plug, Hole, Rt, Rocker Switch, .87 X 1.7	1
	39 80061	(008141-	) Plug, Hole, Rnd, 0.30h 0.3l	1

**Fig. 11 - Instrument Panel Group, S30 XP**

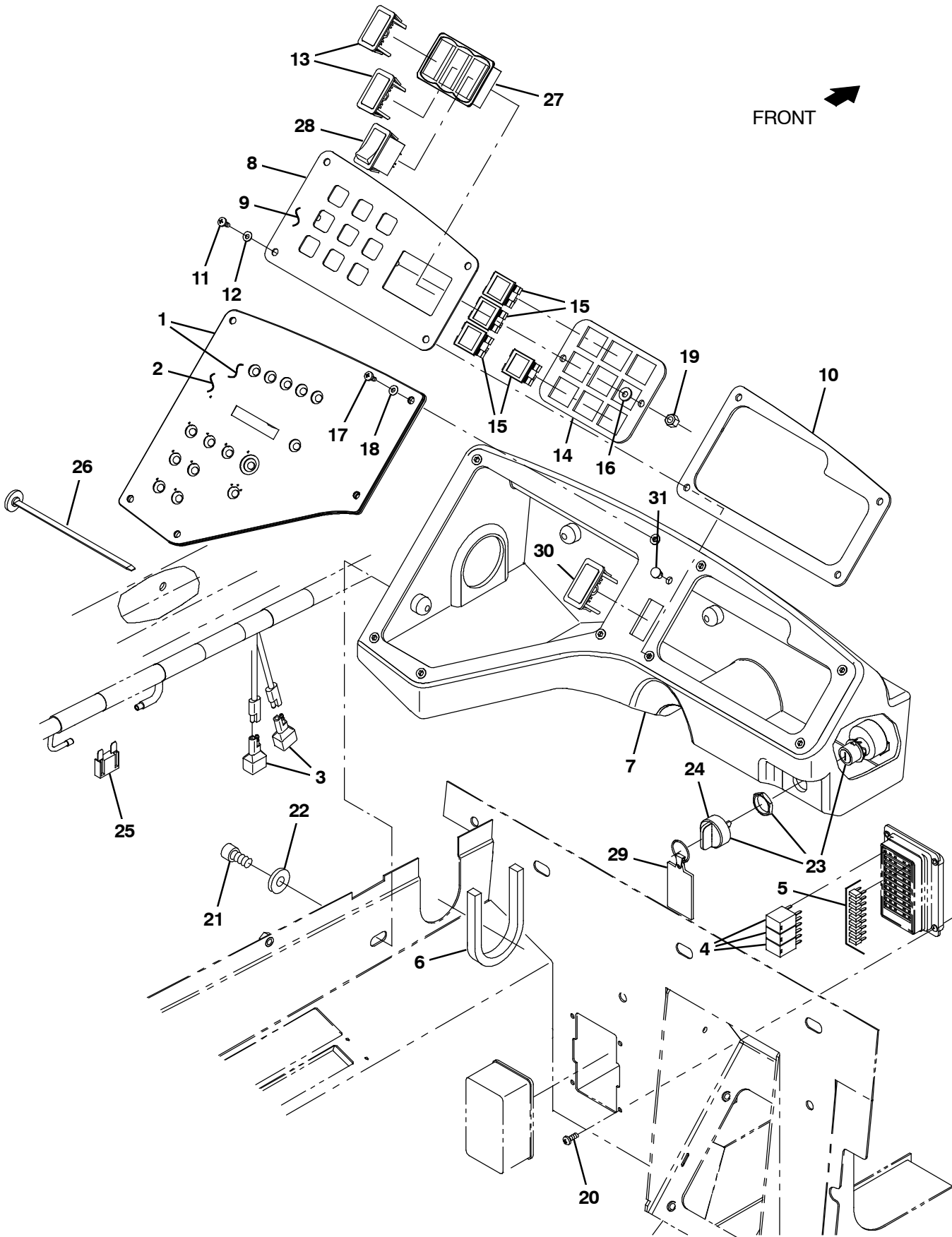


Fig. 11 - Instrument Panel Group, S30 XP

Ref.	Part No.	Serial Number	Description	Qty.	
1	9004513	(006501-	) Panel Kit, Replmt [S30] (Includes Control Board and Label Overlay Panel)	1	
2	9004325	(006501-	) Label, Overlay Panel, Replmt [S30]	1	
3	222290	(006501-	) Diode, Ele, Plug	2	
4	1028832	(006501-	) Relay, 12vdc, 35a, Spdt [Micro 280]	3	
5	1030985	(006501-	) Fuse, Blade, 15a, 32v [Mini]	9	
6	1035153	(006501-	) Gasket, Harness	1	
7	1035507	(006501-	) Box, Instrument, li, Trimmed	1	
▽	9004528	(006501-	) Panel Assy, Switch, Replmt	1	
▲	8	1033771	(006501-	) Panel, Switch li	1
▲	9	1033883	(006501-	) Label, Panl, Instmt, Rh	1
▲	10	1031664	(006501-	) Gasket, Panel, Switch	1
▲	11	1045487	(006501-	) Screw, Pan, Phl, M5 X 0.80 X 16, Blk	4
▲	12	1012615	(006501-	) Washer, Flat, 0.19b 0.44d .03, Nyl, Blk	4
13	398501	(006501-	) Plug, Hole, Rt, Rocker Switch, .87 X 1.7	2	
14	1033760	(006501-	) Panel, Light	1	
15	361075	(006501-	) Light, Panl, 14vdc, 1.1 X 1.0	4	
16	19066	(006501-	) Washer, Flat, 10	2	
17	1045487	(006501-	) Screw, Pan, Phl, M5 X 0.80 X 16, Blk	5	
18	1012615	(006501-	) Washer, Flat, 0.19b 0.44d .03, Nyl, Blk	5	
19	08708	(006501-	) Nut, Hex, Lock, M6 X 1.00, NI	2	
20	39239	(006501-	) Screw, Pan, Phl, 10- 32 X 0.50, G2, Blk	4	
21	1056769	(006501-	) Screw, Soc, M10 X 1.50 X 16, 12.9	4	
22	32485	(006501-	) Washer, Flat, 0.38, Sae	4	
▽	23	1028790	(006501-	) Switch, Key, 4 Pos [Honeywell]	1
▲	24	9004545	(006501-	) Key, Ignition [Replmt W/O Dust Boot]	1
25	394922	(006501-	) Fuse, Blade, 060a [Maxi]	1	
26	1041873	(006501-	) Fastener, Wire, Tie [Button Head]	2	
27	1029951	(006501-	) Bezel, Switch [3 Gang]	1	
28	377084	(006501-	) Switch, Rocker, Prgrsv	1	
29	1075003	(006501-	) Keychain, Rectangle, Parts & Service	1	
30	398501	(008141-	) Plug, Hole, Rt, Rocker Switch, .87 X 1.7	1	
31	80061	(008141-	) Plug, Hole, Rnd, 0.30h 0.3l	1	

Fig. 12 - Steering Group

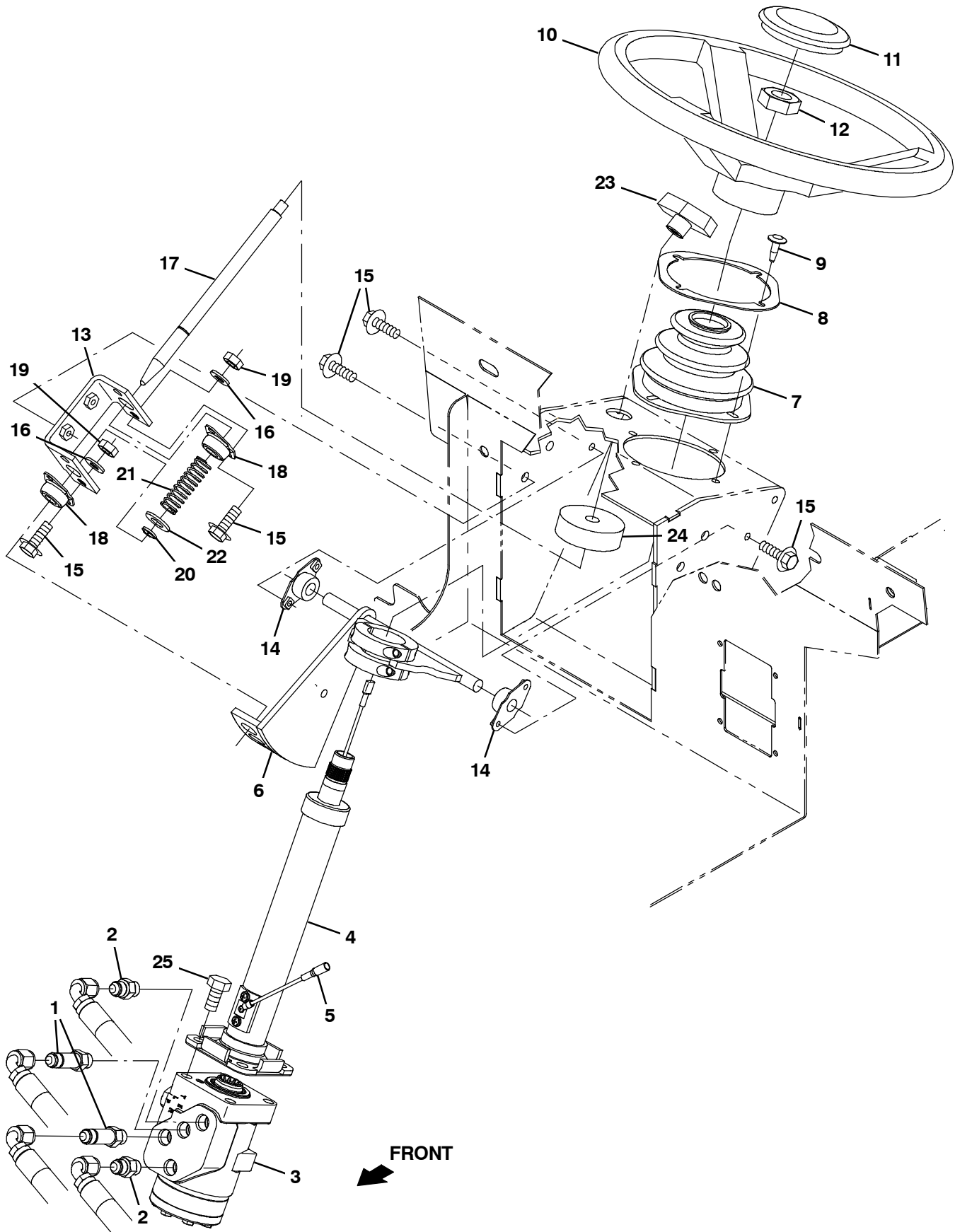


Fig. 12 - Steering Group

Ref.	Part No.	Serial Number	Description	Qty.
1	771090	(006501-	) Fitting, Hyd, Str, Fm06/Om06, Long	1
2	762433	(006501-	) Fitting, Hyd, Str, Fm06/Om06	1
3	1024260	(006501-	) Steer- Control, Hyd05, 06.1 2030	1
▽ 4	1021265	(006501-	) Column, Steering, 09.9l 0.86d 36tooth	1
▲ 5	388153	(006501-	) Contact Kit, W/ Brush [En]	1
6	1058784	(006501-	) Bracket Wldt, Steering, Tilt	1
7	70622	(006501-	) Boot, Bellows, 3.1l 4.4w 2.8h 1hole, Neo	1
8	70623	(006501-	) Retainer, Boot, Steering Column	1
9	72970	(006501-	) Rivet, Plstc, .250d X 0.90	4
10	1058996	(006501-	) Wheel, Steering, 14.0d 0.81b 36tooth	1
11	1024478	(006501-	) Button, Cntrl, Horn	1
12	56185	(006501-	) Nut, Hex, Jam, M20 X 1.5	1
13	1058807	(006501-	) Flange, Brg, Mount	1
14	70709	(006501-	) Bearing, Flng, 2hole, 0.50b	2
15	1040467	(006501-	) Screw, Hex, M6 X 1.00 X 20, 9.8, Sems	8
16	32483	(006501-	) Washer, Flat, 0.25, Sae	4
17	1058785	(006501-	) Pin, Locking, Steering, Tilt [S30]	1
18	47585	(006501-	) Bearing, Flng, 2hole, 0.50b [Nyl]	2
19	08708	(006501-	) Nut, Hex, Lock, M6 X 1.00, NI	4
20	70717	(006501-	) Ring, Retaining, Ext, 0.50d, Hd	1
21	22290	(006501-	) Spring, Cmpr, 0.72od .06wir 02.3l	1
22	32486	(006501-	) Washer Flat,0.50,Sae	1
23	04706	(006501-	) Knob, Tee, 0.38- 16, 2.5 X 1.0 1.1l,Plstc	1
24	75968	(006501-	) Insulation, Acstc, Rnd, 0.8, 02.5d 0.5h	1
25	06961	(006501-	) Screw, Hex, M10 X 1.50 X 20, 8.8	4

**Fig. 13 - Engine and Mount Group, Gas**

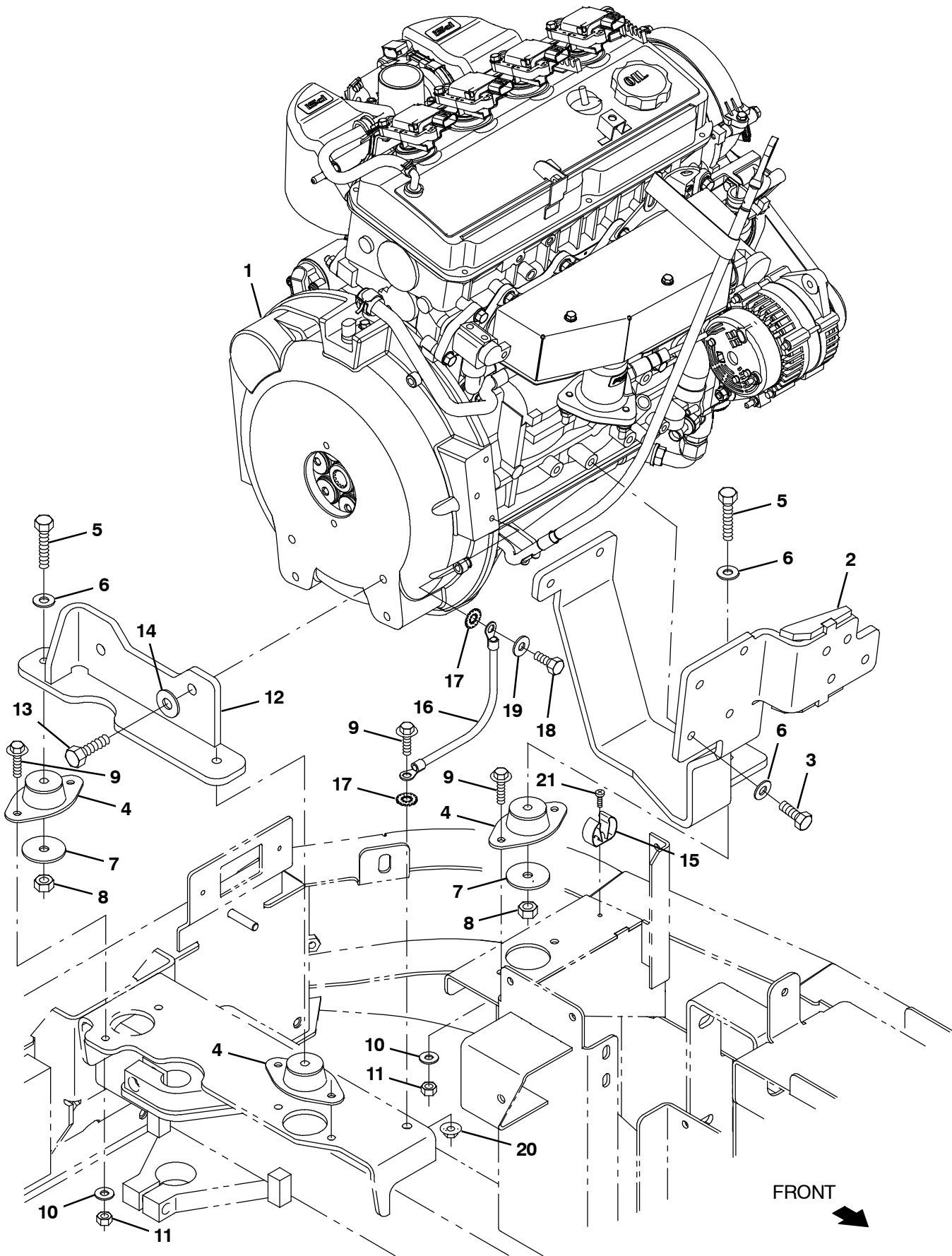


Fig. 13 - Engine and Mount Group, Gas

	Ref.	Part No.	Serial Number	Description	Qty.
▽	1	9014202	(006501-	Engine, Block, Long [Mits 12mm] (See Engine Breakdown)	1
▲		393982	(006501-	Element, Fltr, Oil, Spin-On	1
	2	1071606	(006501-010786	Bracket Wldt, Mtg, Eng, Front	1
	2	1249166	(010787-	Bracket Wldt, Mtg, Eng, Front, Ummilled	1
	3	07299	(006501-	Screw, Hex, M10 X 1.25 X 25, 8.8	6
	4	1029018	(006501-	Isolator, Vib, Flng, 1.3h .4b 2/.34h	3
	5	06963	(006501-	Screw, Hex, M10 X 1.50 X 60, 8.8	3
	6	32492	(006501-	Washer, Flat, 0.38, Std	9
	7	58228	(006501-	Washer, Flat, 0.44b 2.00d .12, Stl, Pl	3
	8	41430	(006501-	Nut, Hex, Lock, M10 X 1.5, NI	3
	9	1037354	(006501-	Screw, Hex, M8 X 1.25 X 30, 9.8, Sems	7
	10	32491	(006501-	Washer, Flat, 0.31, Std	6
	11	08709	(006501-	Nut, Hex, Lock, M8 X 1.25, NI	6
	12	1070999	(006501-	Bracket Wldt, Mtg, Eng, Rear [Mit 2013]	1
	13	41346	(006501-	Screw, Hex, M12 X 1.75 X 30, 8.8	2
	14	32486	(006501-	Washer Flat, 0.50, Sae	2
	15	1014295	(006501-	Clip, Grip, Hose, 0.75- 1.12, Stl, Blk Vyl	1
	16	57773	(006501-	Cable, 06ga 13.0l Blk	1
	17	41142	(006501-	Washer, Lock, Int-ext, 0.38	2
	18	21196	(006501-	Screw, Hex, .38- 16 X 0.88, G5	1
	19	32485	(006501-	Washer, Flat, 0.38, Sae	1
	20	07791	(006501-	Nut, Hex, Flng, M8 X 1.25	1
	21	06933	(006501-	Screw, Pan, Phl, M5 X 0.80 X 16, 4.8	1

Fig. 14 - Engine and Mount Group, Lpg

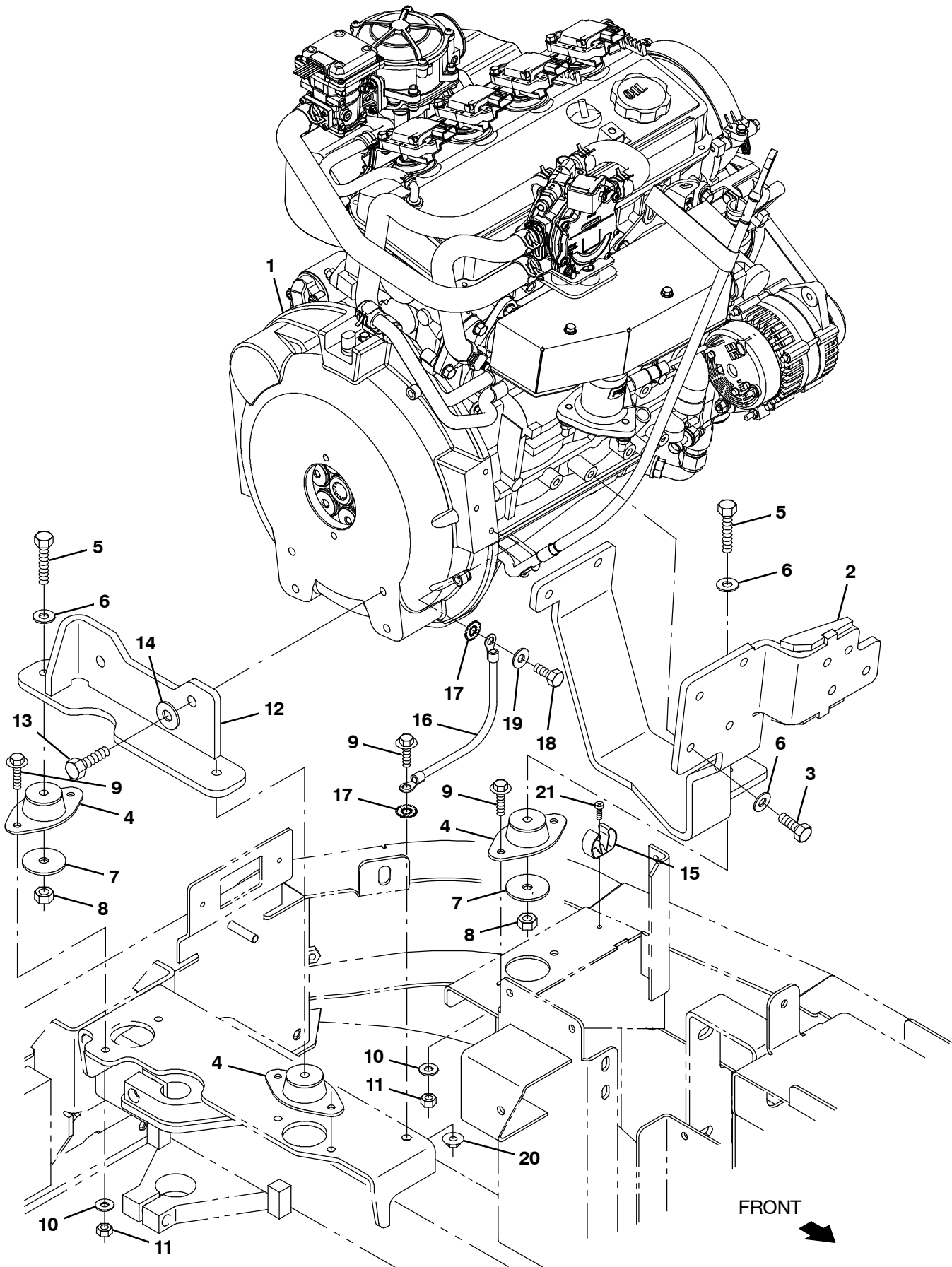


Fig. 14 - Engine and Mount Group, LPG

	Ref.	Part No.	Serial Number	Description	Qty.
▽	1	9014202	(006501-	Engine, Block, Long [Mits 12mm] (See Engine Breakdown)	1
▲		393982	(006501-	Element, Fltr, Oil, Spin-On	1
	2	1071606	(006501-010786	Bracket Wldt, Mtg, Eng, Front	1
	2	1249166	(010787-	Bracket Wldt, Mtg, Eng, Front, Ummilled	1
	3	07299	(006501-	Screw, Hex, M10 X 1.25 X 25, 8.8	6
	4	1029018	(006501-	Isolator, Vib, Flng, 1.3h .4b 2/.34h	3
	5	06963	(006501-	Screw, Hex, M10 X 1.50 X 60, 8.8	3
	6	32492	(006501-	Washer, Flat, 0.38, Std	9
	7	58228	(006501-	Washer, Flat, 0.44b 2.00d .12, Stl, Pl	3
	8	41430	(006501-	Nut, Hex, Lock, M10 X 1.5, NI	3
	9	1037354	(006501-	Screw, Hex, M8 X 1.25 X 30, 9.8, Sems	7
	10	32491	(006501-	Washer, Flat, 0.31, Std	6
	11	08709	(006501-	Nut, Hex, Lock, M8 X 1.25, NI	6
	12	1070999	(006501-	Bracket Wldt, Mtg, Eng, Rear [Mit 2013]	1
	13	41346	(006501-	Screw, Hex, M12 X 1.75 X 30, 8.8	2
	14	32486	(006501-	Washer Flat, 0.50, Sae	2
	15	1014295	(006501-	Clip, Grip, Hose, 0.75- 1.12, Stl, Blk Vyl	1
	16	57773	(006501-	Cable, 06ga 13.0l Blk	1
	17	41142	(006501-	Washer, Lock, Int-ext, 0.38	2
	18	21196	(006501-	Screw, Hex, .38- 16 X 0.88, G5	1
	19	32485	(006501-	Washer, Flat, 0.38, Sae	1
	20	07791	(006501-	Nut, Hex, Flng, M8 X 1.25	1
	21	06933	(006501-	Screw, Pan, Phl, M5 X 0.80 X 16, 4.8	1

Fig. 15 - Engine EFI Group, Gas

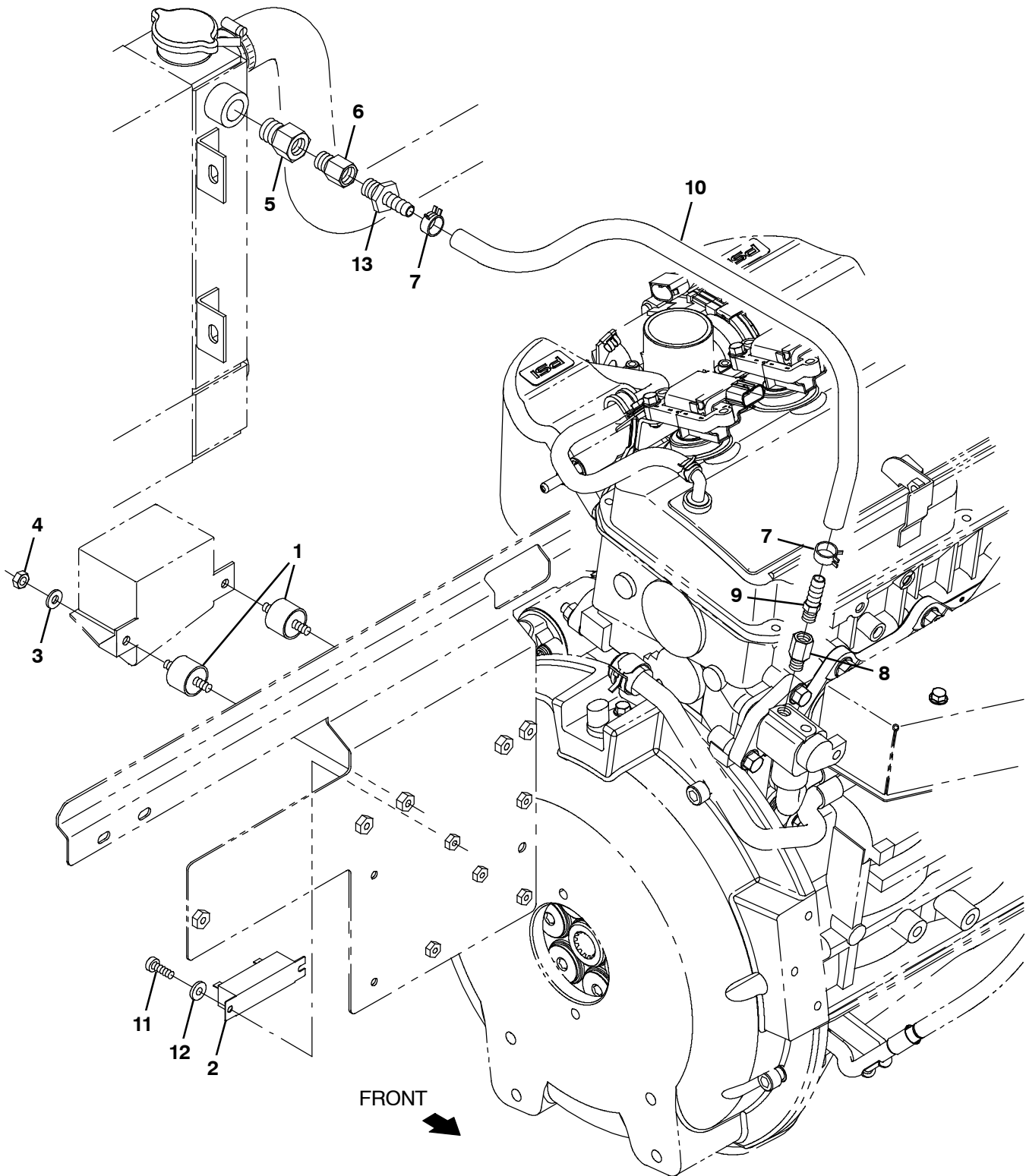


Fig. 15 - Engine EFI Group, Gas

Ref.	Part No.	Serial Number	Description	Qty.
1	1013588	(006501-	) Isolator, Box, Relay	2
2	71539	(006501-	) Resistor, 022.00ohm, 0040watt	1
3	32483	(006501-	) Washer, Flat, 0.25, Sae	2
4	19312	(006501-	) Nut, Hex, Std, .25- 20	2
5	1071440	(006501-	) Fitting, Brs, Str, Pf06/Pm04	1
6	1015547	(006501-	) Fitting, Adapter, Orifice, Pf06/Pm06	1
7	1072559	(006501-	) Clamp, Hose, Spring Stl, 0.58d X 0.31w	2
8	1071502	(006501-	) Fitting, Brs, Str, Pf02/Pm02 [Bspt]	1
9	1055552	(006501-	) Fitting, Brs, Str, Bm06/Pm02	1
10	1072408	(006501-	) Hose, Afmkt, Rbr, Heater, 0.38id, 03ft	1
11	06933	(006501-	) Screw, Pan, Phl, M5 X 0.80 X 16, 4.8	2
12	19066	(006501-	) Washer, Flat, 0.25b 0.56d .05, Pl, 10	2
13	36159	(006501-	) Fitting, Brs, Str, Bm06/Pm06	1

Fig. 16 - Engine EFI Group, LPG

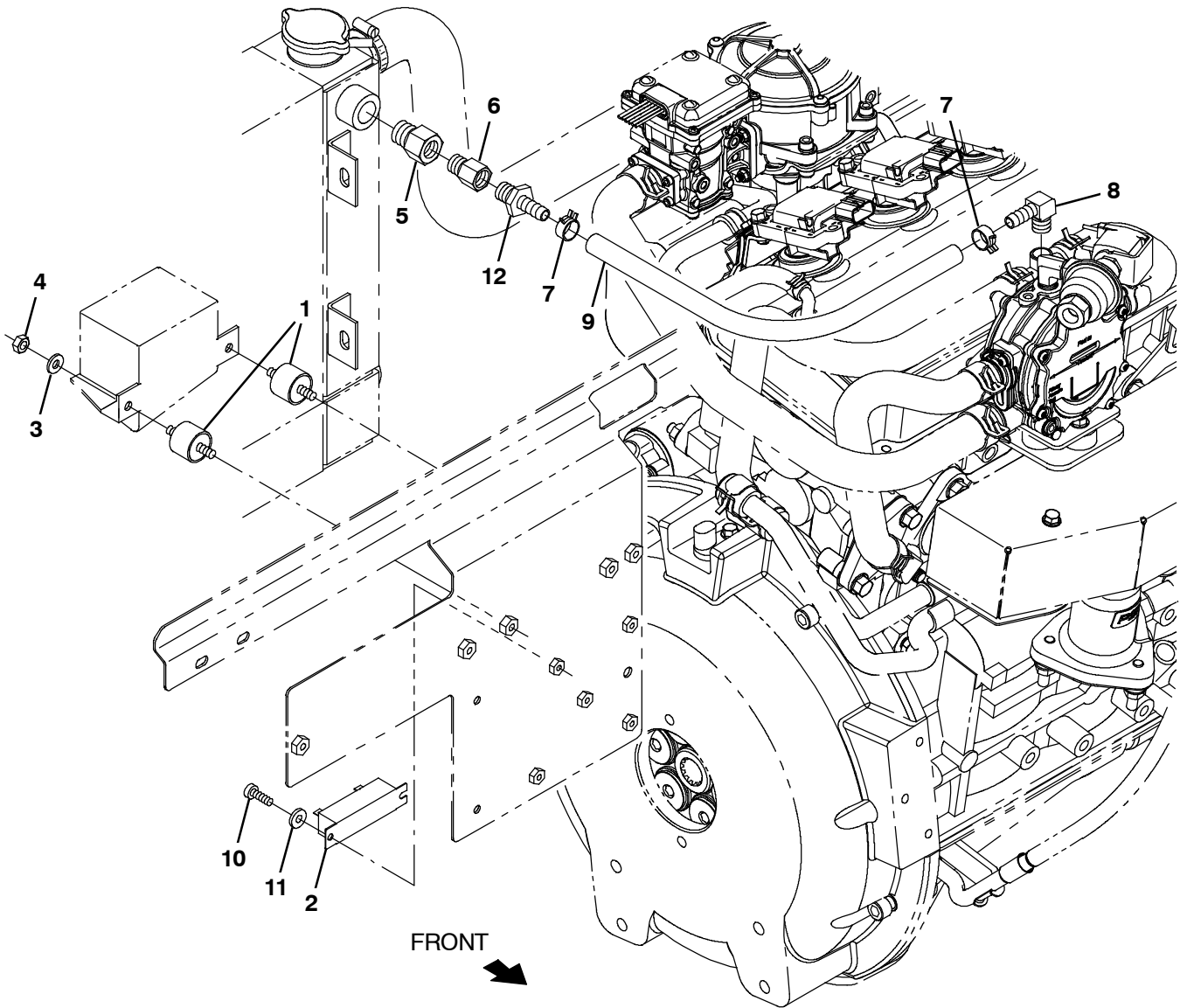


Fig. 16 - Engine EFI Group, LPG

Ref.	Part No.	Serial Number	Description	Qty.
1	1013588	(006501-	) Isolator, Box, Relay	2
2	71539	(006501-	) Resistor, 022.00ohm, 0040watt	1
3	32483	(006501-	) Washer, Flat, 0.25, Sae	2
4	19312	(006501-	) Nut, Hex, Std, .25- 20	2
5	1071440	(006501-	) Fitting, Brs, Str, Pf06/Pm04	1
6	1015547	(006501-	) Fitting, Adapter, Orifice, Pf06/Pm06	1
7	1072559	(006501-	) Clamp, Hose, Spring Stl, 0.58d X 0.31w	2
8	1015815	(006501-	) Fitting, Brs, E90, Bm06/Pm04	1
9	1072408	(006501-	) Hose, Afmkt, Rbr, Heater, 0.38id, 03ft	1
10	06933	(006501-	) Screw, Pan, Phl, M5 X 0.80 X 16, 4.8	2
11	19066	(006501-	) Washer, Flat, 0.25b 0.56d .05, Pl, 10	2
12	36159	(006501-	) Fitting, Brs, Str, Bm06/Pm06	1

**Fig. 17 - Engine Air Cleaner Group, Gas**

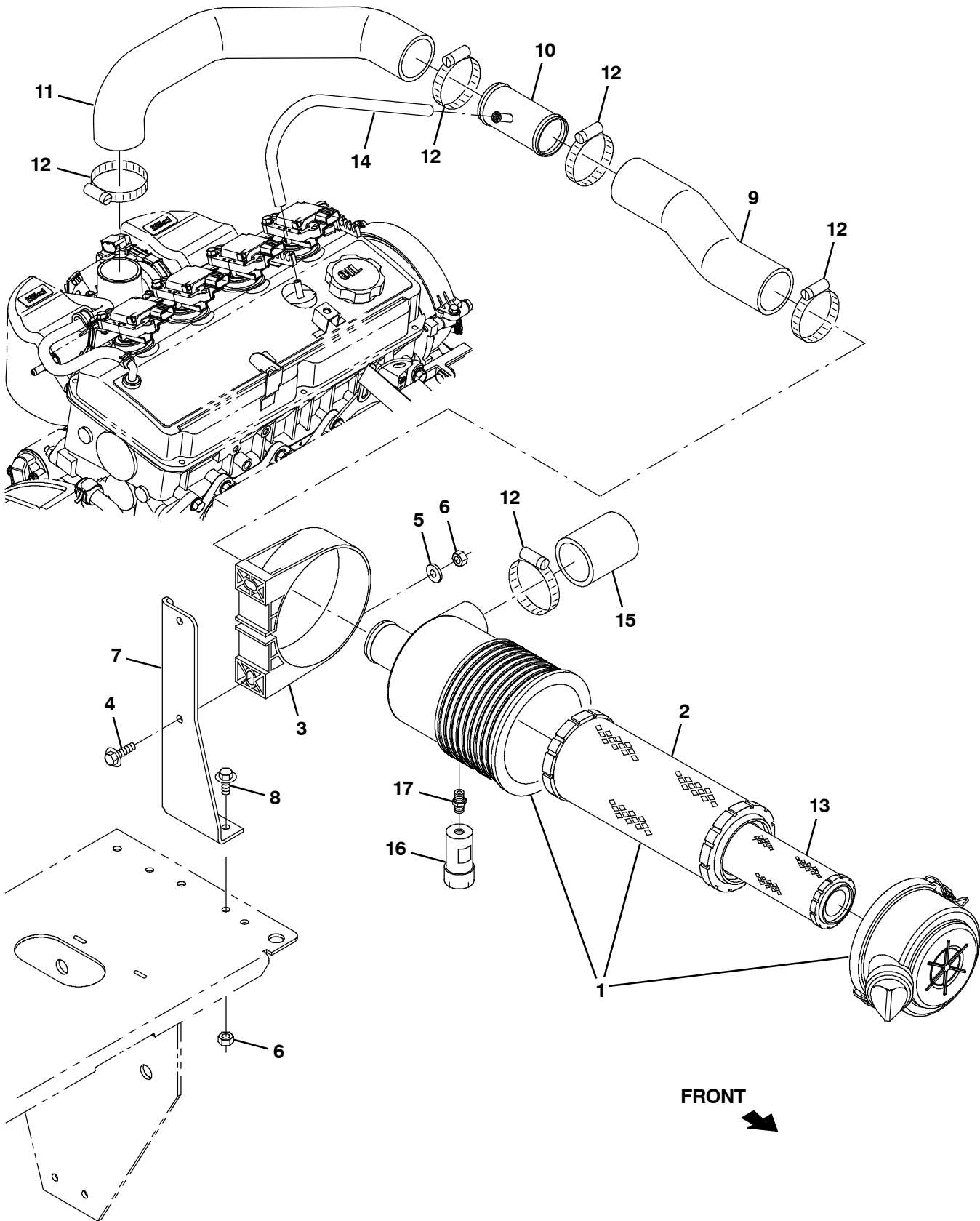


Fig. 17 - Engine Air Cleaner Group, Gas

	Ref.	Part No.	Serial Number	Description	Qty.
▽	1	1032119	(006501-	) Filter, Air, 2.0 Inlet, Str	1
▲	2	369746	(006501-	) Element, Fltr, Air [Dn]	1
	3	369747	(006501-	) Clamp, Mtg, Fltr, Air	1
	4	1037355	(006501-	) Screw, Hex, M8 X 1.25 X 35, 9.8, Sems	2
	5	32491	(006501-	) Washer, Flat, 0.31, Std	2
	6	08709	(006501-	) Nut, Hex, Lock, M8 X 1.25, NI	4
	7	1057890	(006501-	) Bracket, Mtg, Air- Clnr	1
	8	1037346	(006501-	) Screw, Hex, M8 X 1.25 X 25, 9.8, Sems	2
	9	1070920	(006501-	) Hose, Rbr, E90, 2.00id [Edpm Mit 2013]	1
	10	1070833	(006501-	) Tube Wldt, Tee [Mit 2013]	1
	11	1071599	(006501-	) Hose, Intake, Mold, Gas [Epdm Mit2013]	1
	12	14432	(006501-	) Clamp, Hose, Wormdrive, 1.81- 2.75d, .50w	4
	13	398279	(006501-	) Element, Fltr, Air, Safety	1
	14	381391	(006501-	) Hose, Drain, Overflow, Radiator [1pick=1ft]	1
	15	1038209	(006501-	) Hose, Rbr, 2.00id 2.50od 02.5l	1
	16	03026	(006501-	) Indicator, Service, Fltr, Air [20h20 Dn]	1
	17	51560- 5	(006501-	) Fitting, Brs, Str, Pm02, Service	1

Fig. 18 - Engine Air Cleaner Group, LPG

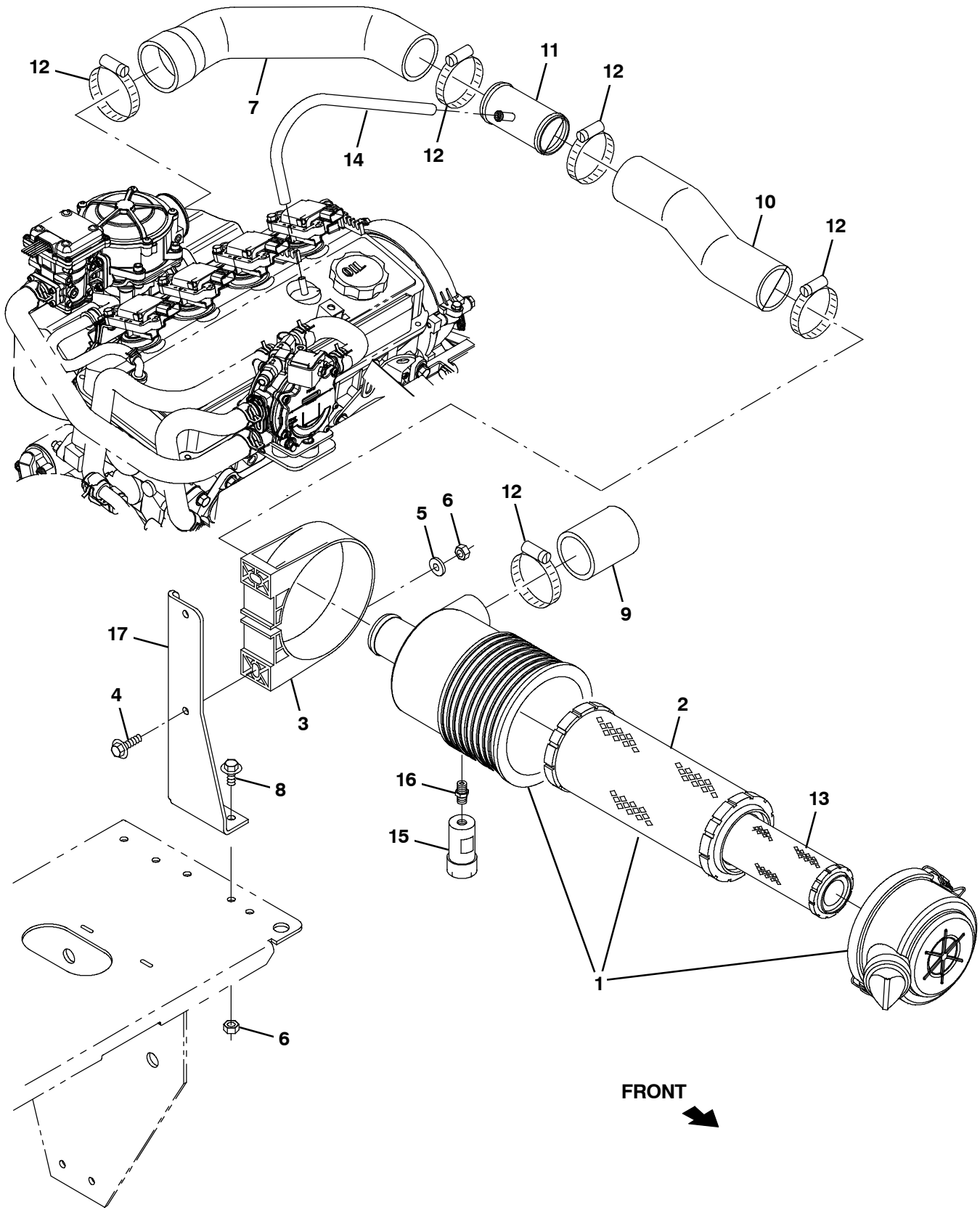


Fig. 18 - Engine Air Cleaner Group, LPG

	Ref.	Part No.	Serial Number	Description	Qty.
▽	1	1032119	(006501-	) Filter, Air, 2.0 Inlet, Str	1
▲	2	369746	(006501-	) Element, Fltr, Air [Dn]	1
	3	369747	(006501-	) Clamp, Mtg, Fltr, Air	1
	4	1037355	(006501-	) Screw, Hex, M8 X 1.25 X 35, 9.8, Sems	2
	5	32491	(006501-	) Washer, Flat, 0.31, Std	2
	6	08709	(006501-	) Nut, Hex, Lock, M8 X 1.25, NI	4
	7	1070926	(006501-	) Hose, Intake, Mold [Epdm Mit2013]	1
	8	1037346	(006501-	) Screw, Hex, M8 X 1.25 X 25, 9.8, Sems	2
	9	1038209	(006501-	) Hose, Rbr, 2.00id 2.50od 02.5l	1
	10	1070920	(006501-	) Hose, Rbr, E90, 2.00id [Edpm Mit 2013]	1
	11	1070833	(006501-	) Tube Wldt, Tee [Mit 2013]	1
	12	14432	(006501-	) Clamp, Hose, Wormdrive, 1.81-2.75d, .50w	4
	13	398279	(006501-	) Element, Fltr, Air, Safety	1
	14	381391	(006501-	) Hose, Drain, Overflow, Radiator [1pick=1ft]	1
	15	03026	(006501-	) Indicator, Service, Fltr, Air [20h20 Dn]	1
	16	51560-5	(006501-	) Fitting, Brs, Str, Pm02, Service	1
	17	1057890	(006501-	) Bracket, Mtg, Air- Clnr	1

Fig. 19 - Engine Alternator Group

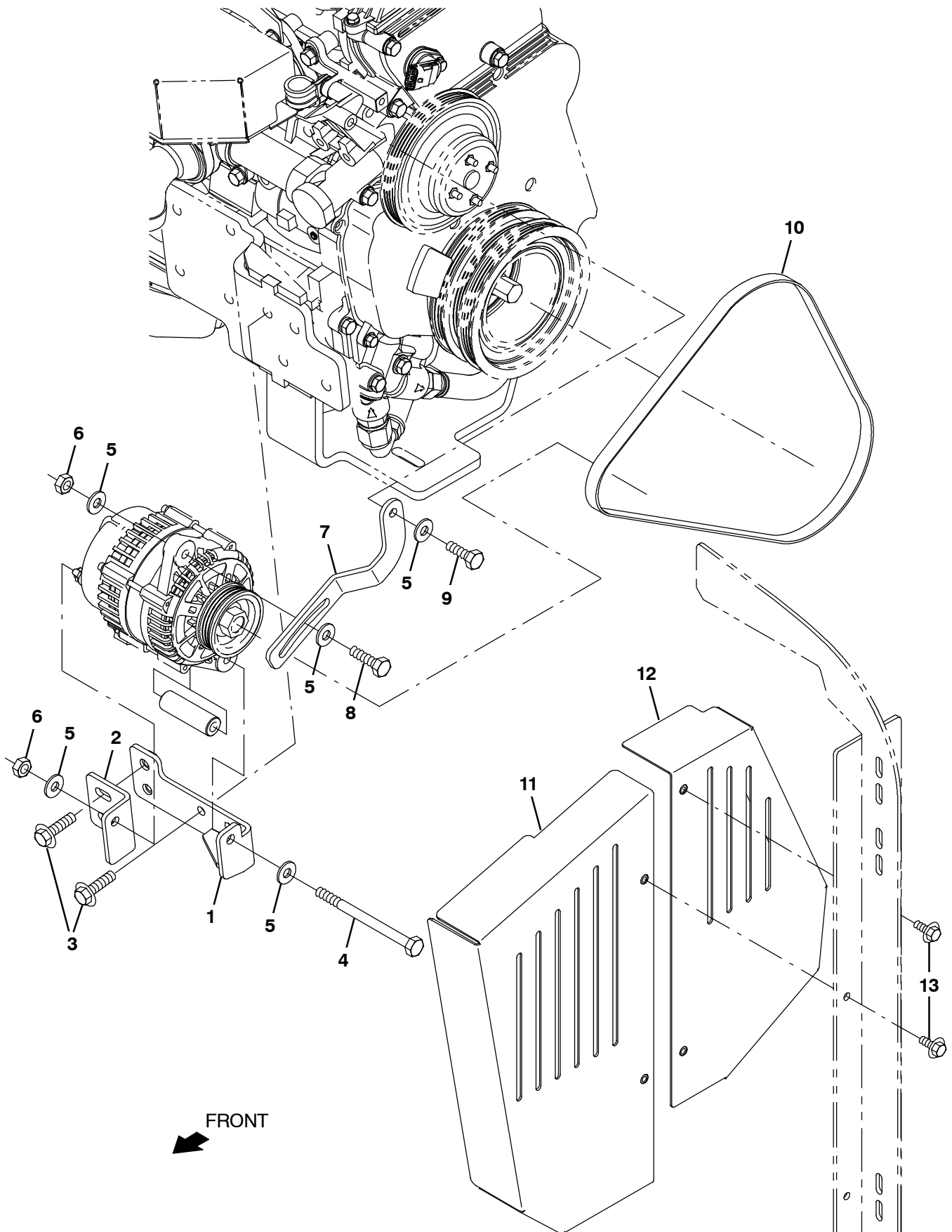


Fig. 19 - Engine Alternator Group

Ref.	Part No.	Serial Number	Description	Qty.
1	1071138	(006501-010786 )	Bracket Wldt, Alternator [S30 Mit2013]	1
1	1241466	(010787- )	Bracket Wldt, Alternator, Unmilled	1
2	1071136	(006501- )	Bracket, Mtg, Alternator [S30 Mit 2013]	1
3	1037346	(006501- )	Screw, Hex, M8 X 1.25 X 25, 9.8, Sems	4
4	49883	(006501- )	Screw, Hex, M8 X 1.25 X 120, 8.8, FI	1
5	32491	(006501- )	Washer, Flat, 0.31, Std	5
6	08709	(006501- )	Nut, Hex, Lock, M8 X 1.25, NI	2
7	1071186	(006501-010786 )	Arm, Alternator, Adj [Mit 2013]	1
7	1249163	(010787- )	Arm, Alternator, Adj, Mitsu, Unmilled	1
8	06955	(006501- )	Screw, Hex, M8 X 1.25 X 35, 8.8	1
9	16931	(006501- )	Screw, Hex, M8 X 1.25 X 20, 8.8	1
10	1071680	(006501- )	Belt, Ribbed, Alternator, 40.25l	1
11	9010202	(006501- )	Guard, Belt, Lh, G/Lpg, W/ Label, Replmt	1
12	9010203	(006501- )	Guard, Belt, Rh, G/Lpg, W/ Label, Replmt	1
13	1036892	(006501- )	Screw, Hex, M6 X 1.00 X 25, 9.8, Sems	4

Fig. 20 - Engine Battery Group

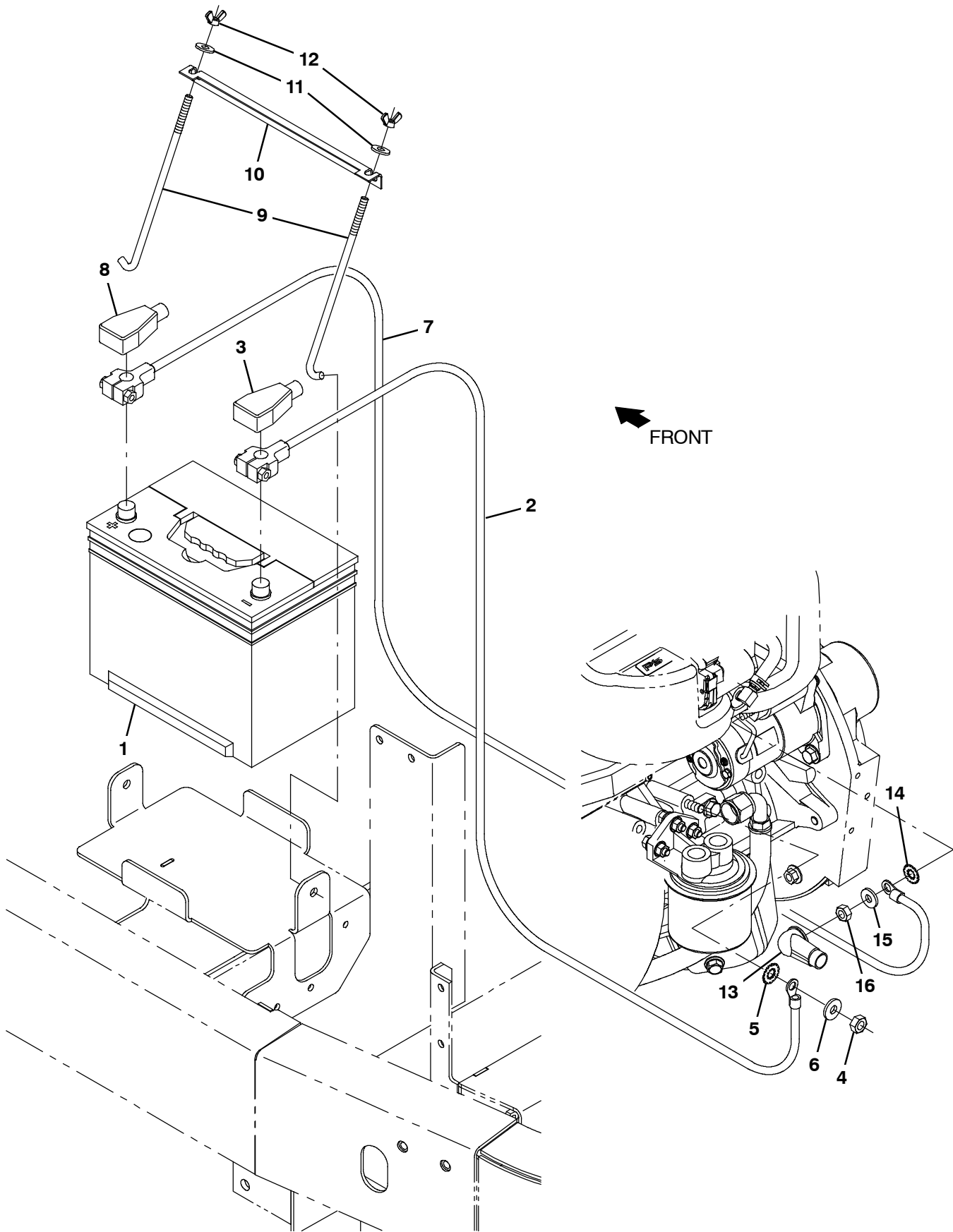


Fig. 20 - Engine Battery Group

Ref.	Part No.	Serial Number	Description	Qty.
1	10137	(006501-	) Battery, Wet, 12vdc 0475cca	1
2	1071854	(006501-	) Cable, Battery, 2ga, 70l, Black	1
3	68872	(006501-	) Boot, Terminal, Battery, 02- 01ga, Blk	1
4	66185	(006501-	) Nut, Hex, Std, M10 X 1.25	1
5	41142	(006501-	) Washer, Lock, Int- Ext, 0.38	1
6	32492	(006501-	) Washer, Flat, 0.38, Std	1
7	1071855	(006501-	) Cable, Battery, 2ga, 70l, Red	1
8	68873	(006501-	) Boot, Terminal, Battery, 02- 01ga, Red	1
9	13015	(006501-	) Bolt, Hold- Down, Battery 08.5l	2
10	72977	(006501-	) Bracket, Angle, Hold- Down, Battery	1
11	01685	(006501-	) Washer, Flat, 0.38b 0.88d .08, Ss	2
12	39272	(006501-	) Nut, Wing, .31- 18	2
13	1016314	(006501-	) Boot, 90deg .50id 1.00id 2.50l, Red	1
14	32984	(006501-	) Washer, Lock, Int, 0.31	1
15	39349	(006501-	) Washer, Flat, 0.31, Sae	1
16	41361	(006501-	) Nut, Hex, Std, M8 X 1.25, Brs	1

**Fig. 21 - Engine Muffler Group**

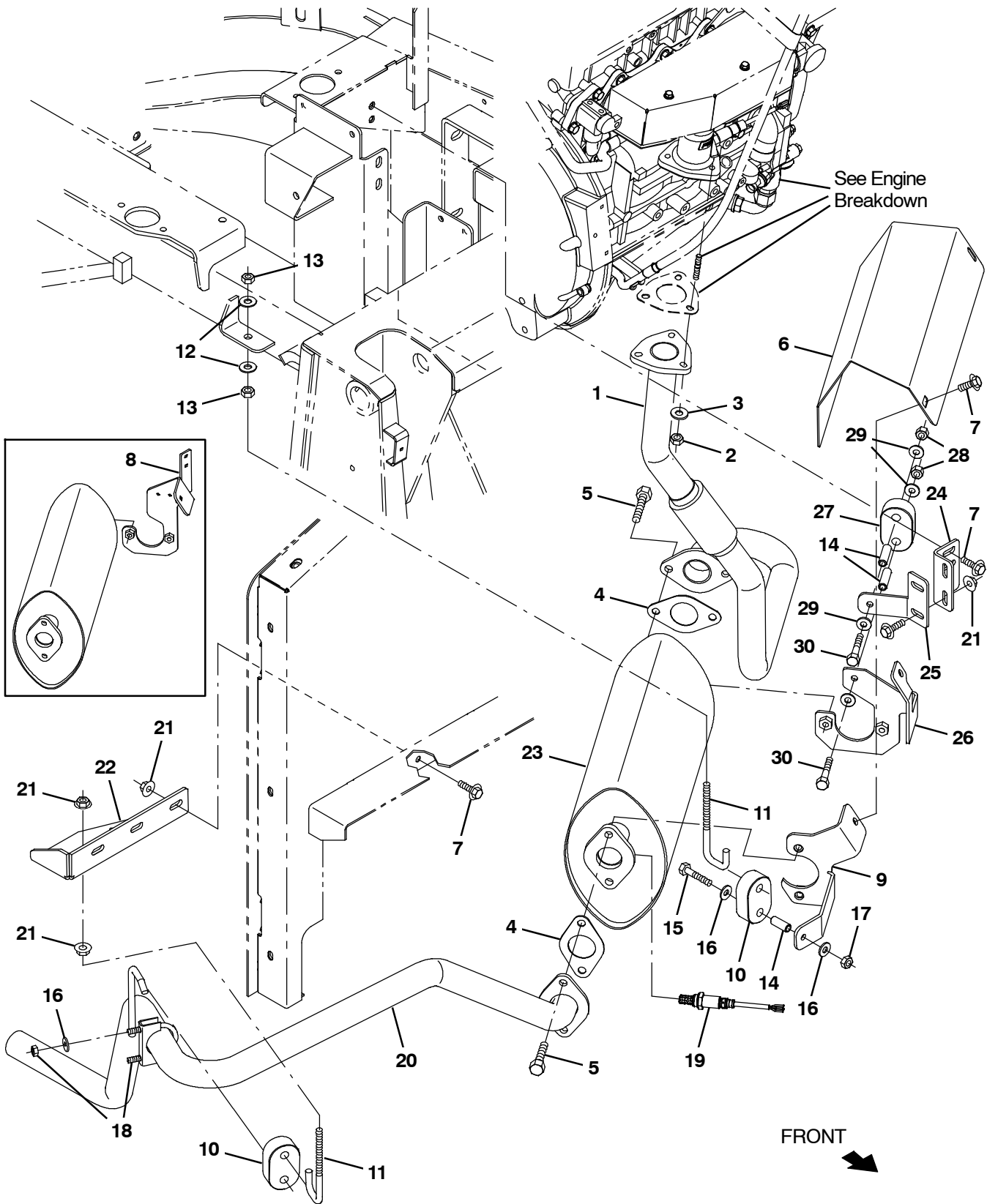


Fig. 21 - Engine Muffler Group

Ref.	Part No.	Serial Number	Description	Qty.
1	1071229	(006501-	) Pipe, Exhaust, Flex [S30 Mit 2013]	1
2	08165	(006501-	) Nut, Hex, Stover, M8	3
3	39349	(006501-	) Washer, Flat, 0.31, Sae	3
4	1011216	(006501-	) Gasket, Exhaust, .07, 1.63id, 2/3.4bc	2
5	39284	(006501-	) Screw, Hex, M10 X 1.50 X 35, 8.8	4
6	1071242	(006501-	) Shield, Heat, G/Lpg [S30 Mit 2013]	1
7	1037346	(006501-	) Screw, Hex, M8 X 1.25 X 25, 9.8, Sems	6
8	9021385	(006501-	) Kit, Front Pipe And Hanger, Exhaust	1
9	1071243	(006501-	) Bracket, Mtg, Shield, Outlet	1
10	1013031	(006501-	) Isolator, Rbr	2
11	1013117	(006501-	) Rod, Hanger, Isolator	2
12	32492	(006501-	) Washer, Flat, 0.38, Std	2
13	25014	(006501-	) Nut, Hex, Std, .38- 16	2
14	222497	(006501-	) Sleeve, P/M, 0.32b 0.50d 1.3l [430ss]	3
15	39278	(006501-	) Screw, Hex, M8 X 1.25 X 50, 8.8	1
16	32491	(006501-	) Washer, Flat, 0.31, Std	4
17	08709	(006501-	) Nut, Hex, Lock, M8 X 1.25, NI	1
18	24012	(006501-	) Clamp, Muffler, 1.62d	1
19	1028558	(006501-	) Sensor, Oxygen, Tailpipe	1
20	1071258	(006501-	) Pipe, Exhaust, G/Lpg [Mit 2013]	1
21	07791	(006501-	) Nut, Hex, Flng, M8 X 1.25	4
22	1060745	(006501-	) Bracket, Mtg, Fan Shrd	1
23	1071376	(006501-	) Muffler, Catalytic [Mit 2.0l 2013]	1
24	1252376	(006501-	) Bracket, Front Hanger Mt, Exhaust	1
25	1252531	(006501-	) Bracket, Isolator Mt, Exhaust	1
26	1252555	(006501-	) Wldt, Muffler, Front Hanger	1
27	1013031	(006501-	) Isolator, Rbr	1
28	08713	(006501-	) Nut, Hex, Lock, M8 X 1.25, NI, Ss	2
29	01685	(006501-	) Bracket, Isolator Mt, Exhaust	4
30	222505	(006501-	) Screw, Hex, M8 X 1.25 X 45, Ss	2

**Fig. 22 - Engine Fuel Tank Group, Gas**

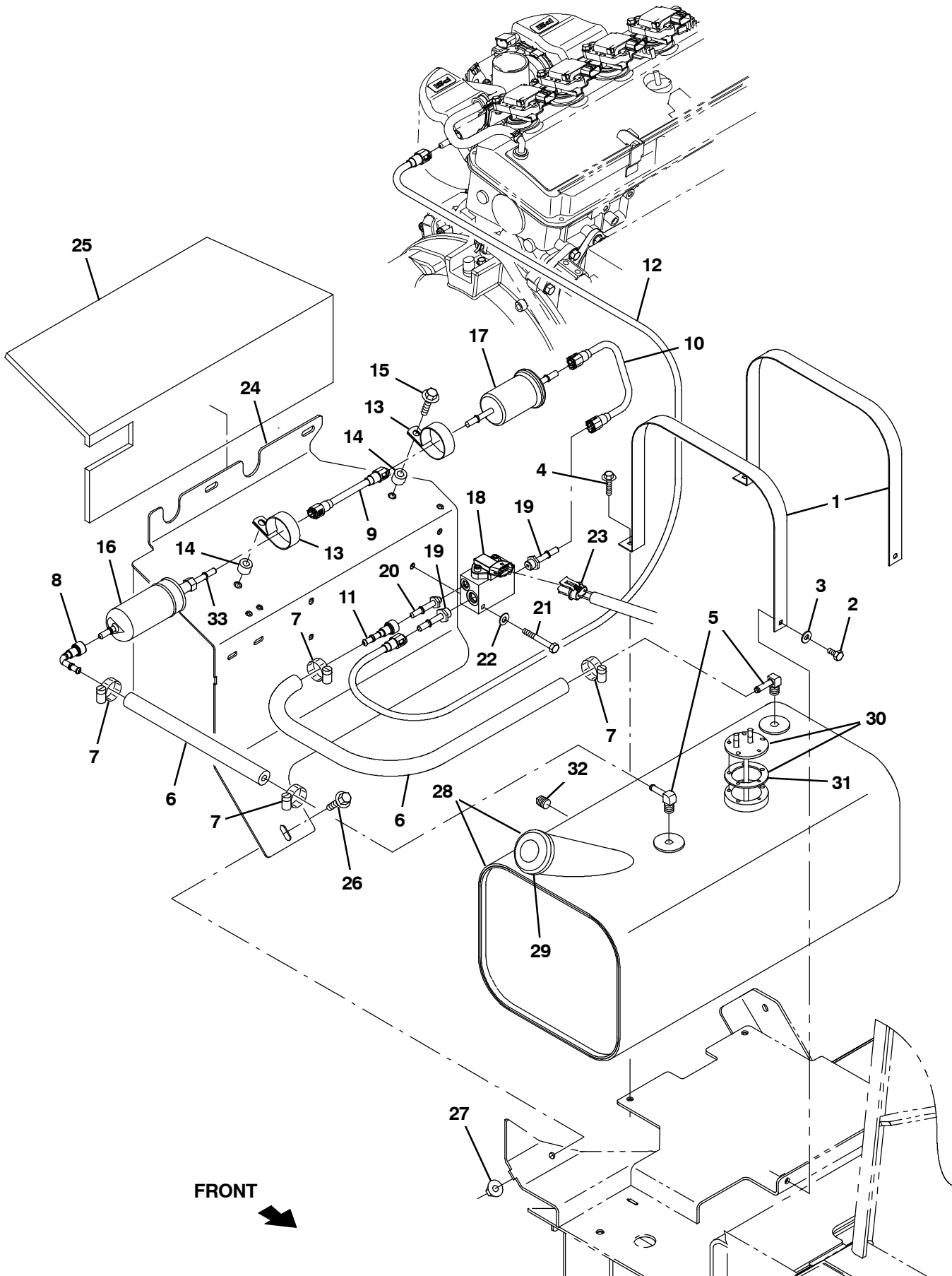


Fig. 22 - Engine Fuel Tank Group, Gas

Ref.	Part No.	Serial Number	Description	Qty.	
1	1033630	(006501-	) Strap, Tank, Fuel	2	
2	06942	(006501-	) Screw, Hex, M6 X 1.00 X 16, 8.8	2	
3	32490	(006501-	) Washer, Flat, 0.25, Std	2	
4	1037345	(006501-	) Screw, Hex, M6 X 1.00 X 30, 9.8, Sems	2	
5	9000355	(006501-	) Fitting, Brs, E90, Em05/Pm04	2	
6	1033746	(006501-	) Hose, Fuel, 0.31id [Evap Emission 07]	2	
7	43844	(006501-	) Clamp, Hose, Wormdrive, 0.25- 0.62d, .31w	4	
8	1019939	(006501-	) Connector, Fuel, E90, Qf	1	
9	1012248	(006501-	) Fuelline, .31d Str/Str, Plstc	1	
10	1013509	(006501-	) Fuelline, .31d Str/Str, Plstc [8200]	1	
11	1013086	(006501-	) Connector, Fuel, Qf	1	
12	1034633	(006501-	) Fuelline, .31d Str/Str, Plstc	1	
13	1011895	(006501-	) Clamp, Cable, Stl, 2.00d X 0.75w, 1hole	2	
14	383981	(006501-	) Sleeve, P/M, 0.37b 0.75d 0.6l, Stl	2	
15	1037355	(006501-	) Screw, Hex, M8 X 1.25 X 35, 9.8, Sems	2	
16	1011107	(006501-	) Pump, Fuel, Hi Press	1	
17	372440	(006501-	) Filter, Fuel	1	
18	1028924	(006501-	) Manifold, Gas, Relief, Valve	1	
19	1029293	(006501-	) Fitting, Fuel, Str, 0.56- 18 [07 Eng]	2	
20	1029295	(006501-	) Fitting, Fuel, Str, 0.38- 24 [07 Eng]	1	
21	06548	(006501-	) Screw, Hex, M6 X 1.00 X 60, 8.8	2	
22	32490	(006501-	) Washer, Flat, 0.25, Std	2	
23	1032112	(006501-	) Harness, Pump, Fuel [Coyote]	1	
24	1044992	(006501-	) Panel Wldt, Deflector, Heat	1	
25	1035813	(006501-	) Insulation, Flame- Retardant, 0.5	1	
26	1037346	(006501-	) Screw, Hex, M8 X 1.25 X 25, 9.8, Sems	3	
27	07791	(006501-	) Nut, Hex, Flng, M8 X 1.25	3	
▽	28	1033575	(006501-	) Tank, Fuel	1
▲	29	1032812	(006501-	) Cap, Fuel, Tank	1
▲▽	30	1046613	(006501-	) Send- Unit, Fuel	1
▲▲	31	1033897	(006501-	) Gasket, Sender, Fuel	1
▲	32	02351	(006501-	) Fitting, Pipe, Plug, Pm04, Sq Head	1
	33	9019145	(006501-	) Fitting, Fuel, Str, M10x1.0	1

**Fig. 23 - Engine Fuel Tank Group, LPG**

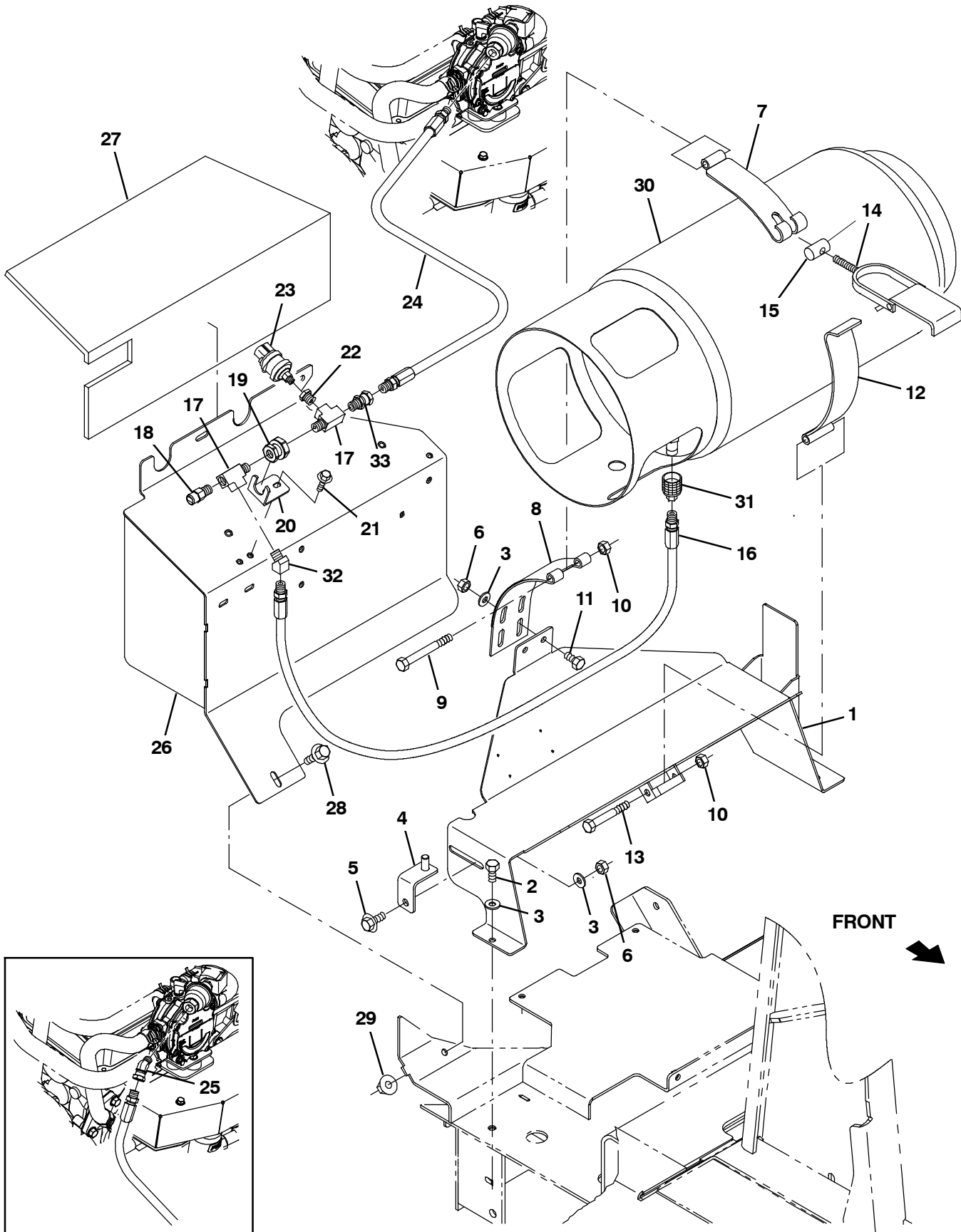


Fig. 23 - Engine Fuel Tank Group, LPG

Ref.	Part No.	Serial Number	Description	Qty.
1	1028129	(006501-	) Tray Wldt, Lpg	1
2	09740	(006501-	) Screw, Hex, M8 X 1.25 X 20, Ss	3
3	32491	(006501-	) Washer, Flat, 0.31, Std	6
4	1043813	(006501-	) Bracket Wldt, Tank, Lpg	1
5	1037354	(006501-	) Screw, Hex, M8 X 1.25 X 30, 9.8, Sems	1
6	08709	(006501-	) Nut, Hex, Lock, M8 X 1.25, NI	2
7	1036270	(006501-	) Strap, Mtg, Tank, Lpg	1
8	58589	(006501-	) Strap, Mtg, Tank, Lpg	1
9	35710	(006501-	) Screw, Hex, .38- 16 X 3.75, G5	1
10	50902	(006501-	) Nut, Hex, Lock, .38- 16, NI	2
11	16931	(006501-	) Screw, Hex, M8 X 1.25 X 20, 8.8	2
12	1037998	(006501-	) Retainer, Tank, Lpg	1
13	35707	(006501-	) Screw, Hex, .38- 16 X 3.00, G5	1
▽	14	53400- 1	(006501-) Latch Assy, Mtg, Tank, Lpg, W/Nut	1
▲	15	53400- 4	(006501-) Nut, Adj, Mtg, Tank, Lpg	1
16	22308- 3	(006501-	) Hose, Lpg, Med05, Pm04str/Sm04str, 035.0	1
17	56976A	(006501-	) Fitting, Hyd, Tee, Pf04/Pf04/Pm04, Run	2
18	24047	(006501-	) Valve, Lpg, Press Relief [Rego]	1
19	78122	(006501-	) Fitting, Brs, Str, Pf04/Pf04, Bh	1
20	1048974	(006501-	) Bracket, Angle, Mtg, Relief Valve	1
21	1040467	(006501-	) Screw, Hex, M6 X 1.0 X 20, 9.8, Sems	2
22	17414	(006501-	) Fitting, Hyd, Str, Pf02/Pm04	1
23	23156	(006501-	) Switch, Press, 0070psi Spst Nc 12vdc 08a	1
24	19760	(006501-	) Hose, Lpg, Med05, Pm04str/Sm04str, 055.0	1
25	392645	(006501- 007058)	) Fitting, Pipe, E45, Spcl	1
26	1044992	(006501-	) Panel Wldt, Deflector, Heat	1
27	1035813	(006501-	) Insulation, Flame- Retardant, 0.5	1
28	1037346	(006501-	) Screw, Hex, M8 X 1.25 X 25, 9.8, Sems	3
29	07791	(006501-	) Nut, Hex, FIng, M8 X 1.25	3
30	24928- 1	(006501-	) Tank, Lpg, 33lb, W/ Gauge [Empty, Liq]	1
31	26496	(006501-	) Fitting, Brs, Qdc, Pf04, Lpg Fem	1
32	47720	(006501-	) Fitting, Hyd, E45, Pf04/Pm04	1
33	11442- 23	(007059-	) Fitting, Pipe, Str, Pm04/Sf04	1

**Fig. 24 - Engine Radiator Mount and Fan Group**

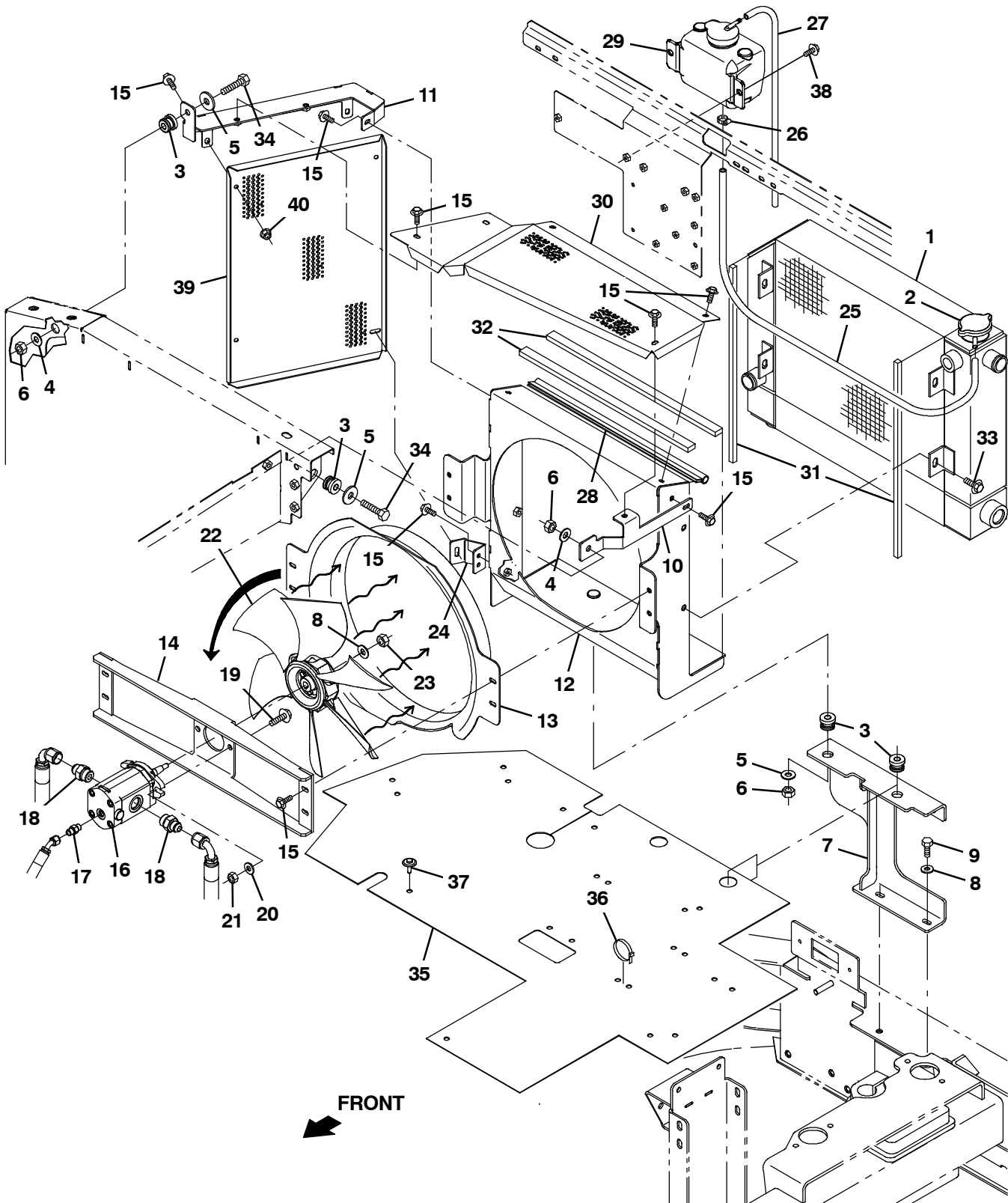


Fig. 24 - Engine Radiator Mount and Fan Group

Ref.	Part No.	Serial Number	Description	Qty.
1	1051863	(006501-	) Radiator, W/ Hyd Cooler [Side X Side]	1
2	1045764	(006501-	) Cap, Radiator, 14psi [Stant Ao- 2516]	1
3	54274	(006501-	) Isolator, Vib, Bshg, 1.1d 0.6l .4b 0.78h	4
4	32492	(006501-	) Washer, Flat, 0.38, Std	2
5	1014563	(006501-	) Washer, Flat, 0.40b 1.12d .12, Ss	3
6	41430	(006501-	) Nut, Hex, Lock, M10 X 1.5, NI	4
7	1027589	(006501-	) Bracket Wldt, Mtg, Radiator	1
8	32491	(006501-	) Washer, Flat, 0.31, Std	3
9	39277	(006501-	) Screw, Hex, M8 X 1.25 X 25, 8.8	2
10	1058670	(006501-	) Bracket, Sppt, Radiator	1
11	1058404	(006501-	) Bracket Wldt, Sppt, Radiator, Rh	1
12	1055564	(006501-	) Bracket Wldt, Radiator	1
13	1054428	(006501-	) Shroud, Fan	1
14	1060343	(006501-	) Bracket Wldt, Mtg, Motor	1
15	1036892	(006501-	) Screw, Hex, M6 X 1.00 X 25, 9.8 Sems	15
16	1031026	(006501-	) Motor, Hyd, Gear, Ext 0.67 Rh 2500	1
17	762428	(006501-	) Fitting, Hyd, Str, Fm04/Om04	1
18	762456	(006501-	) Fitting, Hyd, Str, Fm08/Om10	2
19	1037355	(006501-	) Screw, Hex, M8 X 1.25 X 35, 9.8, Sems	2
20	39349	(006501-	) Washer, Flat, 0.31, Sae	2
21	08709	(006501-	) Nut, Hex, Lock, M8 X 1.25, NI	2
22	1031566	(006501-	) Fan, Cooling, 14.1d, 6 Blade, 0.5b Taper	1
23	32960	(006501-	) Nut, Hex, Lock, .31- 24, NI	1
24	1055002	(006501-	) Bracket, Mtg, Condenser	1
25	1014843	(006501-	) Hose, Afmkt, Coolant Recvy, 05ft	1
26	43844	(006501-	) Clamp, Hose, Wormdrive, 0.25- 0.62d, .31w	1
27	87738	(006501-	) Hose, Fuel, 0.18id, 29.0l	1
28	1031623	(006501-	) Seal, Afmkt, Bulb, Str, .50d F/11ga 02ft	1
29	1054382	(006501-	) Tank, Coolant, 03.6w 04.1hi 05.5l, 1liter	1
30	1059052	(006501-	) Guard, Fan	1
31	1015205	(006501-	) Seal, Afmkt, Ure, Adh, 0.38, 0.38w 02ft	2
32	1015314	(006501-	) Seal, Afmkt, Bulb, Adh 0.38, 0.75w 02ft	2
33	1037346	(006501-	) Screw, Hex, M8 X 1.25 X 25, 9.8, Sems	4
34	06962	(006501-	) Screw, Hex, M10 X 1.50 X 45, 8.8	1
35	1061498	(006501-	) Skirt, Neo, .06, 30.00w 41.00l [3 Wheel]	1
36	49266	(006501-	) Tie, Cable, Nyl, 07.3l .19w 1.8 Max D	8
37	72970	(006501-	) Rivet, Plstc, .250d X 0.90	3
38	1040467	(006501-	) Screw, Hex, M6 X 1.00 X 20, 9.8, Sems	2
39	1060009	(006501-	) Guard, Fan	1
40	07790	(006501-	) Nut, Hex, Fling, M6 X 1.00	3

**Fig. 25 - Engine Radiator Hoses Group, Gas/LPG**

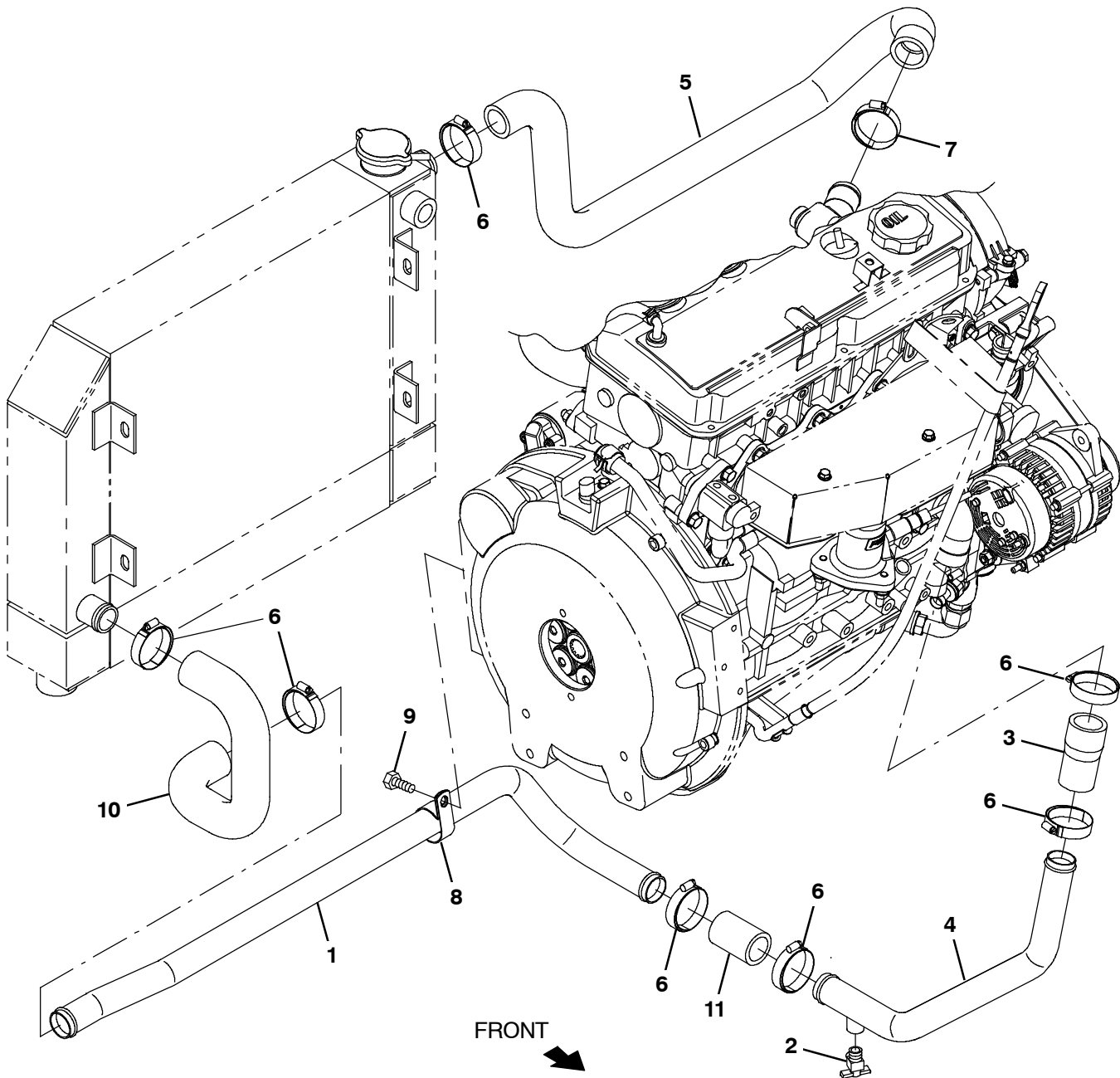


Fig. 25 - Engine Radiator Hoses Group, Gas/LPG

Ref.	Part No.	Serial Number	Description	Qty.
1	1071010	(006501-	) Tube, Coolant, 1.3d, Lower	1
2	54911-32	(006501-	) Fitting, Draincock, .25npt	1
3	1072384	(006501-	) Hose, Rbr, 1.125id X1.25id, 03.00l	1
4	1071014	(006501-	) Tube, Coolant, Lower [Mit 2013 S30]	1
5	1070976	(006501-	) Hose, Coolant, Upper, Mold [Mit 2013]	1
6	79381	(006501-	) Clamp, Hose, Wormdrive, 1.25- 2.00d, .50w	7
7	22297	(006501-	) Clamp, Hose, Wormdrive, 1.56- 2.50d, .50w	1
8	86328	(006501-	) Clamp, Cable, Stl, 1.50d X 0.75w, 1hole	1
9	21194	(006501-	) Screw, Hex, .38- 16 X 0.62, G5	1
10	1055029	(006501-	) Hose, Rbr, 1.25id 1.25id	1
11	1072386	(006501-	) Hose, Rbr, 1.125id, 02.25l	1

**Fig. 26 - Wheel Group, Rear Drive S30 and XP**

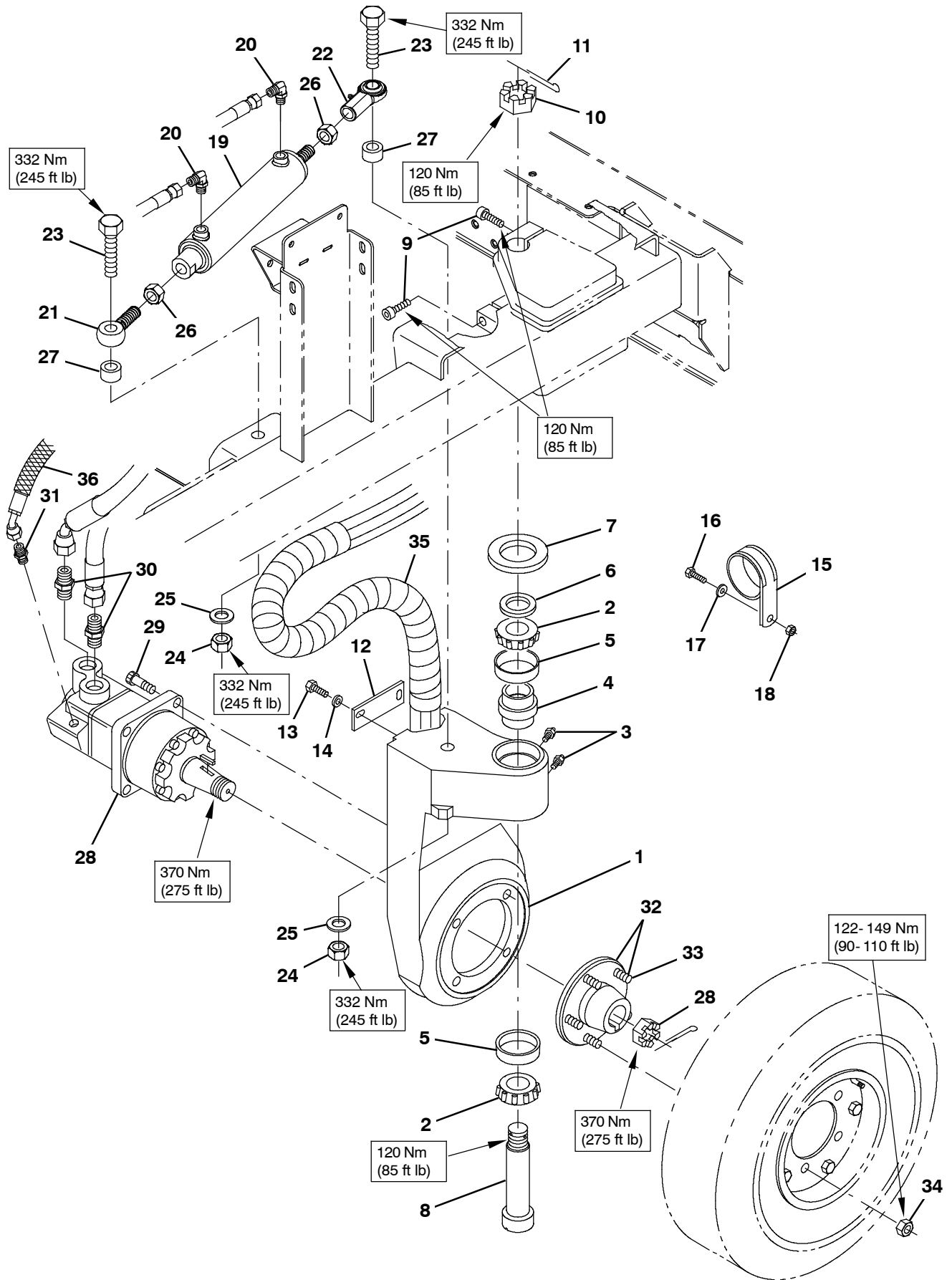


Fig. 26 - Wheel Group, Rear Drive S30 and XP

Ref.	Part No.	Serial Number	Description	Qty.	
1	1071053	(006501-	) Housing, Sppt, Drive	1	
2	51339	(006501-	) Bearing, Cone, 1.38b 0.71w	2	
3	47801	(006501-	) Fitting, Grease, Str Pm04 .63l	2	
4	374560	(006501-	) Seal, Drive, Rear, Grease Cav	1	
5	51338	(006501-	) Bearing, Cup, 2.56d 0.55w	2	
6	54051	(006501-	) Washer, Flat, 1.39b 2.12d .13, Stl	1	
7	374563	(006501-	) Washer, Flat, 2.16b 3.50d .16, Felt	1	
8	73281	(006501-	) Bolt, Shld, 1.37d X 5.13l, 1.1- 18 Drilled	1	
9	72926	(006501-	) Screw, Soc, M16 X 2.00 X 50, 12.9	2	
10	54052	(006501-	) Nut, Hex, Slt'd, 1.12- 18	1	
11	08329	(006501-	) Pin, Cotter, .125 X 2.50	1	
12	58842	(006501-	) Bar, Flat, Stl 0.19, 01.50 X 04.1l	1	
13	09011	(006501-	) Screw, Hex, M8 X 1.25 X 30, Ss	2	
14	32491	(006501-	) Washer, Flat, 0.31, Std	2	
15	70157	(006501-	) Clamp, Cable, Ss, 2.50d X 1.00w, 1hole	1	
16	09740	(006501-	) Screw, Hex, M8 X 1.25 X 20, Ss	1	
17	39349	(006501-	) Washer, Flat, 0.31, Sae	1	
18	07791	(006501-	) Nut, Hex, Flng, M8 X 1.25	1	
▽	19	1028492	(006501-	) Cylinder, Hyd, 2.0b 15.0l 08.00strk 1500	1
▲		373698	(006501-	) Seal Kit	1
20	762432	(006501-	) Fitting, Hyd, E90, Fm06/Om06	2	
21	64886	(006501-	) Rod- End, 0.75- 16rh Mal 0.75b [Teflon]	1	
22	64887	(006501-	) Rod- End, 0.75- 16rh Fem 0.75b	1	
23	1258595	(006501-	) Screw, Hex, .75- 10 X 3.75, G5	2	
24	32987	(006501-	) Nut, Hex, Std, .75- 10	2	
25	39350	(006501-	) Washer, Flat, 0.75, Sae	2	
26	35886	(006501-	) Nut, Hex, Jam, .75- 16	2	
27	1034806	(006501-	) Tube, 0.77id 1.75od 00.7l, Stl, Pntd	2	
28	1054901	(006501-	) Motor, Hyd, Gear, Int 17.1 Bi- Dir 3000 (See Breakdowns)	1	
29	19583	(006501-	) Screw, Soc, .50- 13 X 1.50, Al	4	
30	762468	(006501-	) Fitting, Hyd, Str, Fm10/Om12	2	
31	762426	(006501-	) Fitting, Hyd, Str, Fm04/Om06	1	
▽	32	54087	(006501-	) Hub Assy, Wheel, 5 Bolt 4.50bc Taper B	1
▲	33	32126	(006501-	) Stud, Wheel, .50- 20 X 1.50l, 0.370th	5
34	24339	(006501-	) Nut, Wheel, .50- 20 X 60 Angle	5	
35	1041393	(006501-	) Guard, Hose, Wrap, Plstc, 37.0	1	
36	57315	(006501-	) Sleeve, Nyl, 2.38id 05.0l	1	

Fig. 27 - Wheel Assembly, Rear

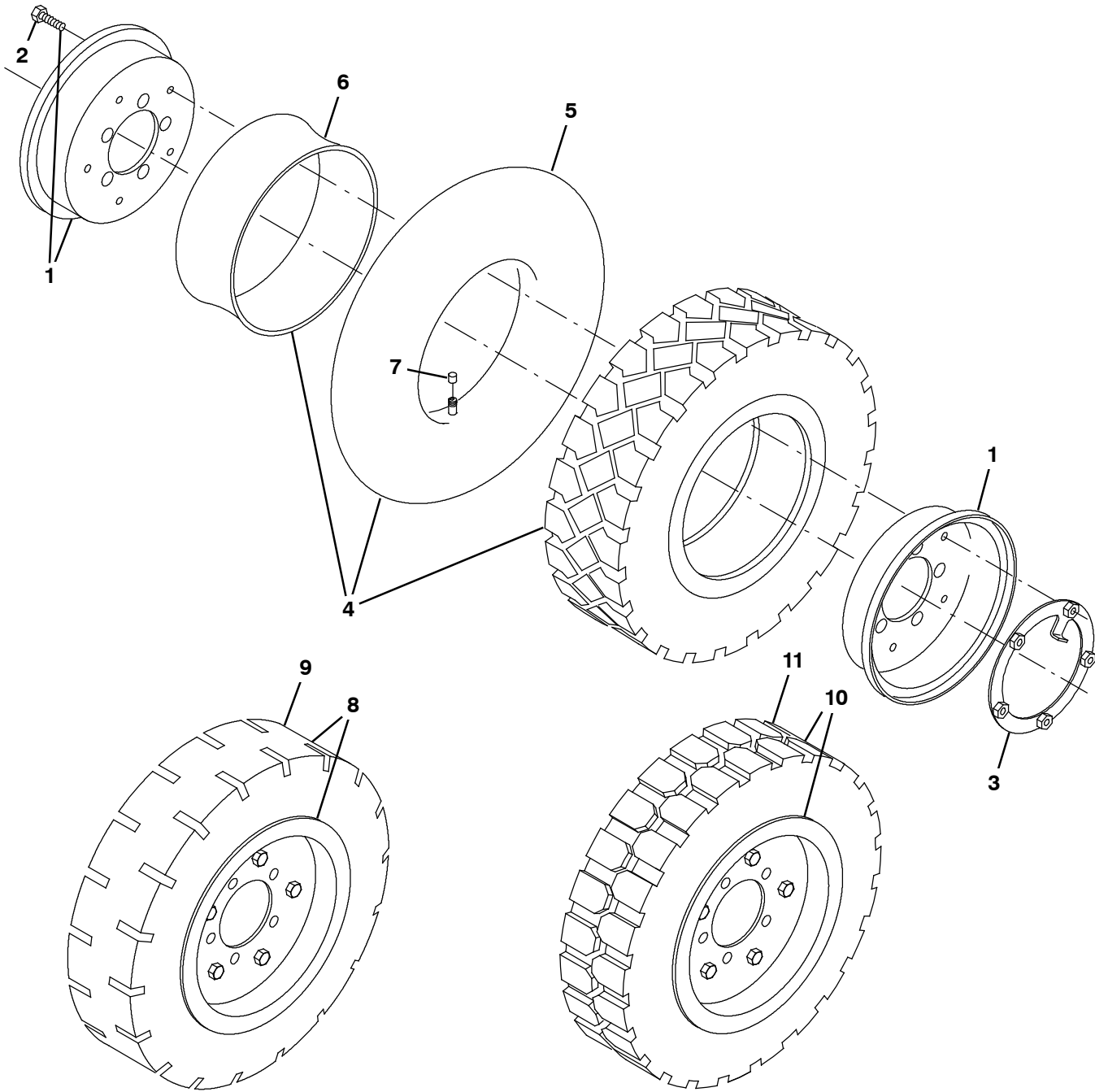


Fig. 27 - Wheel Assembly, Rear

	Ref.	Part No.	Serial Number	Description	Qty.
▽		1005229	(006501-	) Tire Assy, Pneu, 570/500- 08 4.5bc 5bolt (Standard)	1
▲▽	1	53818	(006501-	) Rim Assy, 08.0 X 3.8, 4.5bc /5bolt	1
▲▲	2	370181	(006501-	) Screw, Hex, M10 X 1.50 X 25, 10.9	5
▲	3	99997	(006501-	) Plate, Lock Plate	1
▲▽	4	53819	(006501-	) Tire, W/ Tube, W/ Flap	1
▲▲	5	70280	(006501-	) Innertube, Valve [5.00r- 8, Js2, 500- 8]	1
▲▲	6	53819- 2	(006501-	) Flap, Tire/Tube, 570/500- 8	1
▲▲	7	45786	(006501-	) Cap, Valve, Tire, Tubeless [Schrader]	1
▽	8	53817	(006501-	) Tire Assy, Solid, 18.0 X 4.3 4.5bc 5bolt (Option)	1
▲	9	53816	(006501-	) Tire, Solid, 18.0 X 7.0 X 8.0[4.33 Sc15]	1
▽	10	71022	(006501-	) Tire Assy, Solid, 18.0 X 4.3 4.5bc 5bolt (Option)	1
▲	11	61488	(006501-	) Tire, Solid, 18.0 X 7- 8/4.33 [Sc10 Nm]	1

**Fig. 28 - Wheel and Brakes Group, Front Solid (Standard)**

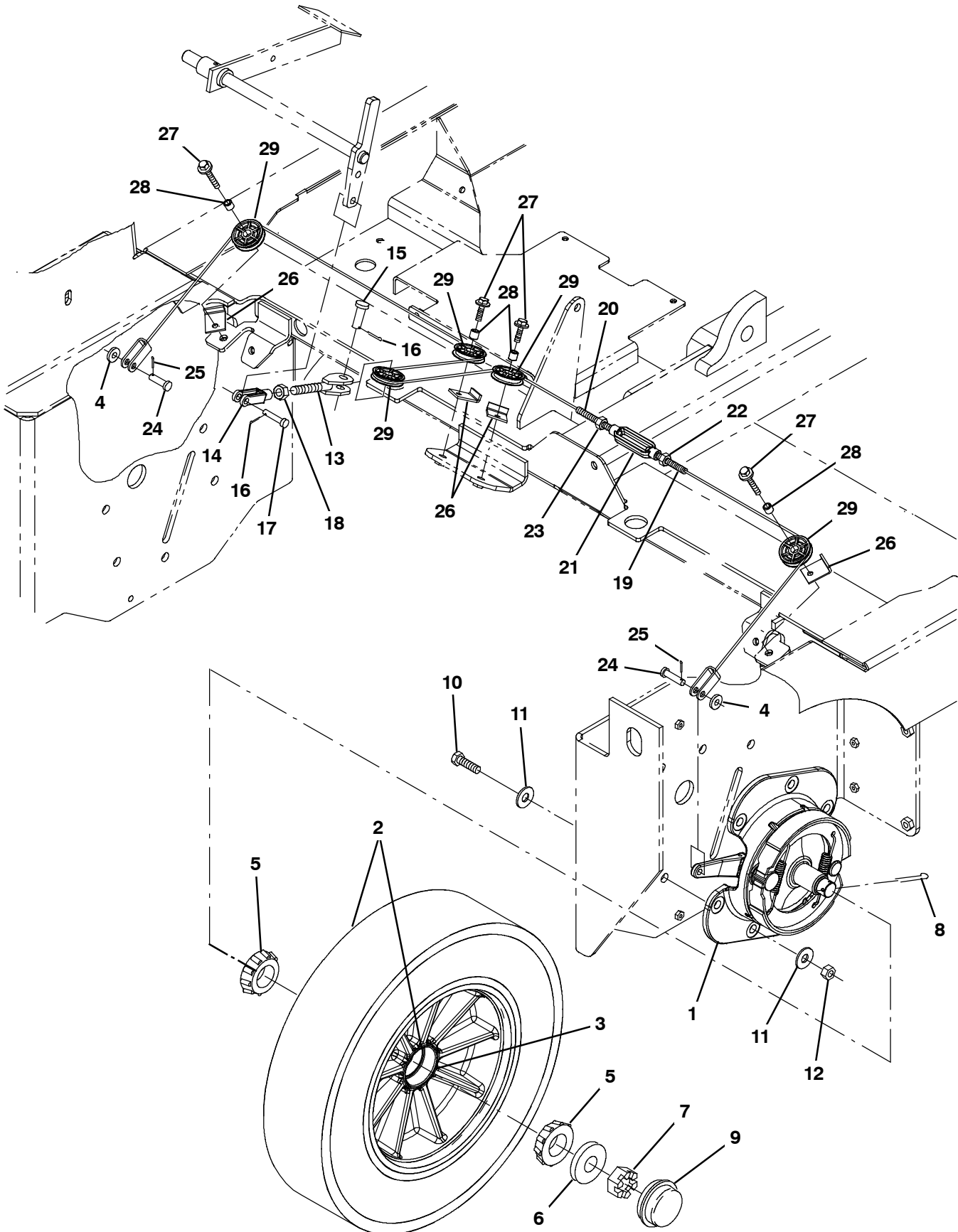


Fig. 28 - Wheel and Brakes Group, Front Solid (Standard)

Ref.	Part No.	Serial Number	Description	Qty.
▽	1	54577	(006501- ) Brake Assy, Drum, Mech, 07.9d [6600]]	2
▲		66211	(006501- ) Shoe Set, Brake [1 Set=1pkg=2 Shoes]	2
▲▽		66213	(006501- ) Brake Kit, Repair	1
▲▲		70161	(006501- ) Shaft	1
▲		70158	(006501- ) Spring	2
▽	2	1061961	(006501- ) Tire Assy, Solid, 20.8 X 5.0, W/ Brg, Front Tire	2
▲	3	51338	(006501- ) Bearing, Cup, 2.56d 0.55w	2
	4	32485	(006501- ) Washer, Flat, 0.38, Sae	2
	5	51339	(006501- ) Bearing, Cone, 1.38b 0.71w	4
	6	32598	(006501- ) Washer, Flat, 1.02b 1.75d .12, Stl	2
	7	14242	(006501- ) Nut, Hex, Sltd, 1.00- 20	2
	8	08202	(006501- ) Pin, Cotter, .125 X 1.75	2
	9	54390	(006501- ) Cap, Hub, Dust, 2.57d 0.77l	2
	10	06969	(006501- ) Screw, Hex, M12 X 1.75 X 40, 8.8	12
	11	32486	(006501- ) Washer, Flat, 0.50, Sae	24
	12	08711	(006501- ) Nut, Hex, Lock, M12 X 1.75, NI	12
	13	71373	(006501- ) Clevis Wldt, Adj, .50pin 0.50- 20, PI	1
	14	374710	(006501- ) Clevis, Adj, 0.38pin, 0.50- 20thd	1
	15	58078	(006501- ) Pin, Clevis, 0.50d X 1.25l	1
	16	08182	(006501- ) Pin, Cotter, .125 X 1.00	2
	17	86240	(006501- ) Pin, Clevis, 0.38d X 1.13l	1
	18	48985	(006501- ) Nut, Hex, Jam, .50- 20	1
	19	1034462	(006501- ) Cable, Brake	1
	20	1034455	(006501- ) Cable, Brake	1
	21	40352	(006501- ) Turnbuckle, Body, .38thread, 03.9l	1
	22	32522	(006501- ) Nut, Hex, Jam, .38- 16	1
	23	39562	(006501- ) Nut, Hex, Jam, .38- 16, Lh	1
	24	09088	(006501- ) Pin, Clevis, 0.37d X 1.00l	2
	25	39005	(006501- ) Pin, Cotter, .094 X 0.75	2
	26	54400	(006501- ) Bracket, Angle, Keeper, Cable	4
	27	1037355	(006501- ) Screw, Hex, M8 X 1.25 X 35, 9.8, Sems	4
	28	222460	(006501- ) Sleeve, P/M, 0.31b 0.50d 0.5l [430ss]	4
	29	369781	(006501- ) Pulley, Cable, 1.5d Nyl	5

# STANDARD PARTS

Fig. 29 - Wheel and Brakes Group, Front Pneumatic (Option)

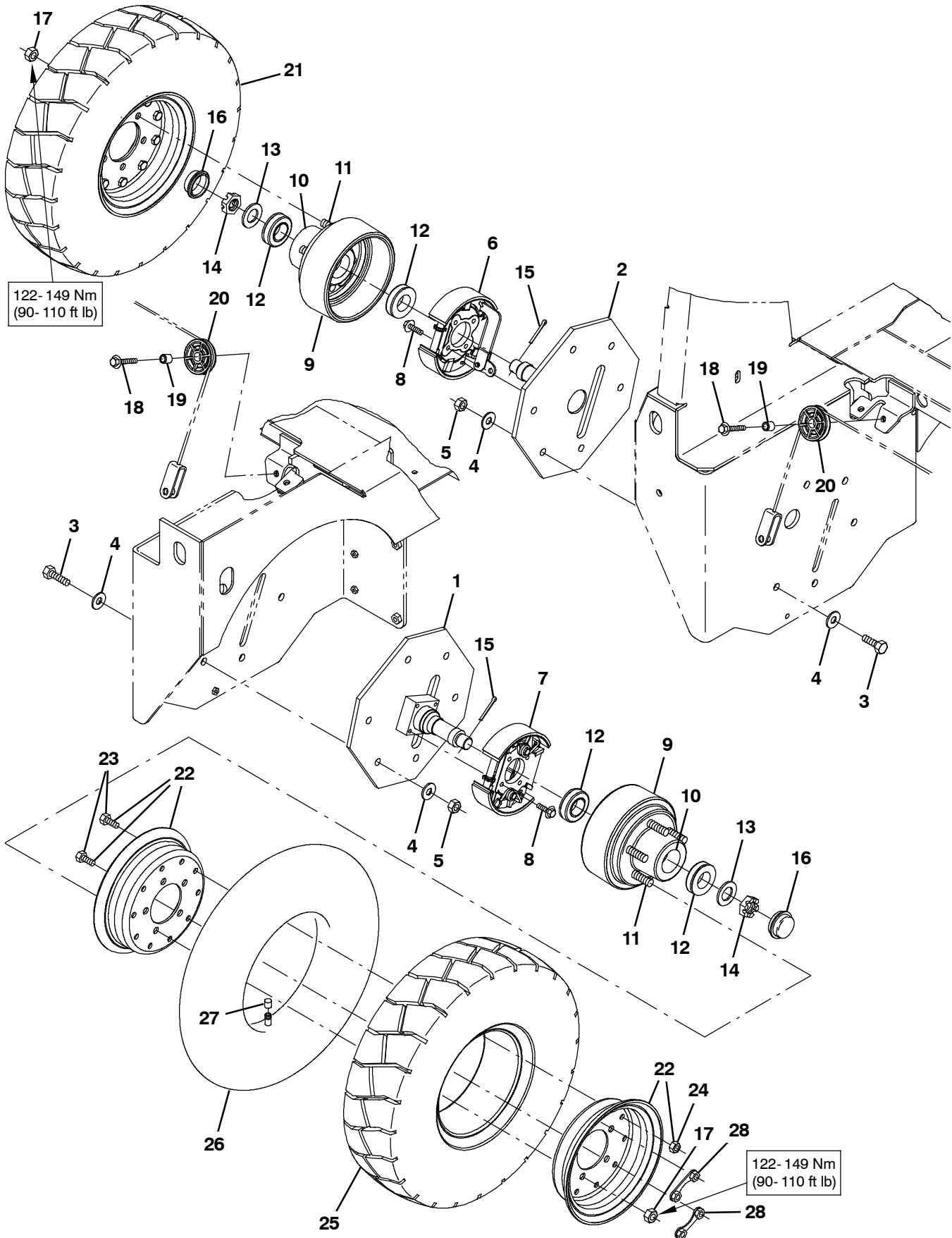


Fig. 29 - Wheel and Brakes Group, Front Pneumatic (Option)

Ref.	Part No.	Serial Number	Description	Qty.	
1	1028159	(006501-	) Spindle Wldt, Wheel, Front, Lh	1	
2	1028146	(006501-	) Spindle Wldt, Wheel, Front, Rh	1	
3	06969	(006501-	) Screw, Hex, M12 X 1.75 X 40, 8.8	12	
4	32486	(006501-	) Washer, Flat, 0.50, Sae	24	
5	08711	(006501-	) Nut, Hex, Lock, M12 X 1.75, NI	12	
▽	6	1026856	(006501-	) Brake, Knot, Rh, 7.0d	1
▲		9004865	(006501-	) Shoe Assy, Brake, 177.8 X 45	2
▲		9004867	(006501-	) Lever Assy, 177.8 X 45	1
▲		9004868	(006501-	) Spring, Tens, Brake	1
▲		9004870	(006501-	) Spring, Tors, 0.61id .18wir 02.0coil	1
▲		9004871	(006501-	) Adjuster Kit, Manual, W/ Pivot	1
▲		9004869	(006501-	) Spring, Tors, 0.61id .18wir 02.0coil	1
▲		9004873	(006501-	) Clip, Spring	2
▽	7	1026841	(006501-	) Brake, Knot, Lh, 7.0d	1
▲		9004865	(006501-	) Shoe Assy, Brake, 177.8 X 45	2
▲		9004867	(006501-	) Lever Assy, 177.8 X 45	1
▲		9004868	(006501-	) Spring, Tens, Brake	1
▲		9004870	(006501-	) Spring, Tors, 0.61id .18wir 02.0coil	1
▲		9004871	(006501-	) Adjuster Kit, Manual, W/ Pivot	1
▲		9004869	(006501-	) Spring, Tors, 0.61id .18wir 02.0coil	1
▲		9004873	(006501-	) Clip, Spring	2
	8	1037354	(006501-	) Screw, Hex, M8 X 1.25 X 30, 9.8, Sems	8
▽	9	1036027	(006501-	) Drum Assy, Brake	2
▲	10	51338	(006501-	) Bearing, Cup, 2.56d 0.55w	2
▲	11	67665	(006501-	) Stud, Wheel, .50- 20 X 1.88l, 0.560th	5
	12	51339	(006501-	) Bearing, Cone, 1.38b 0.71w	4
	13	32598	(006501-	) Washer, Flat, 1.02b 1.75d .12, Stl	2
	14	14242	(006501-	) Nut, Hex, Slted, 1.00- 20	2
	15	08202	(006501-	) Pin, Cotter, .125 X 1.75	2
	16	54390	(006501-	) Cap, Hub, Dust, 2.57d 0.77l	2
	17	24339	(006501-	) Nut, Wheel, .50- 20 X 60 Angle	10
	18	1037355	(006501-	) Screw, Hex, M8 X 1.25 X 35, 9.8, Sems	2
	19	222460	(006501-	) Sleeve, P/M, 0.31b 0.50d 0.5l [430ss]	2
	20	369781	(006501-	) Pulley, Cable, 1.5d Nyl	2
▽	21	1032515	(006501-	) Tire Assy, Pneu, 21 X 6.0- 12 4.5bc, Ce	2
▲▽	22	1039523	(006501-	) Rim Assy, 09.0 X 4.0, 4.5bc /5bolt	1
▲▲	23	370181	(006501-	) Screw, Hex, M10 X 1.50 X 25, 10.9	10
▲▲	24	41430	(006501-	) Nut, Hex, Lock, M10 X 1.5, NI	6
▲	25	1039520	(006501-	) Tire, Pneu, 21 X 6.0 X 9.0 12 Ply [Ic40]	1
▲	26	1039517	(006501-	) Innertube, 6.00 X 9.00 [ Js- 2]	1
▲	27	45786	(006501-	) Cap, Valve, Tire, Tubeless [Schrader]	1
▲	28	1032488	(006501-	) Plate, Wheel, Ce	2

Fig. 30 - Brake Pedal and Parking Brake Group

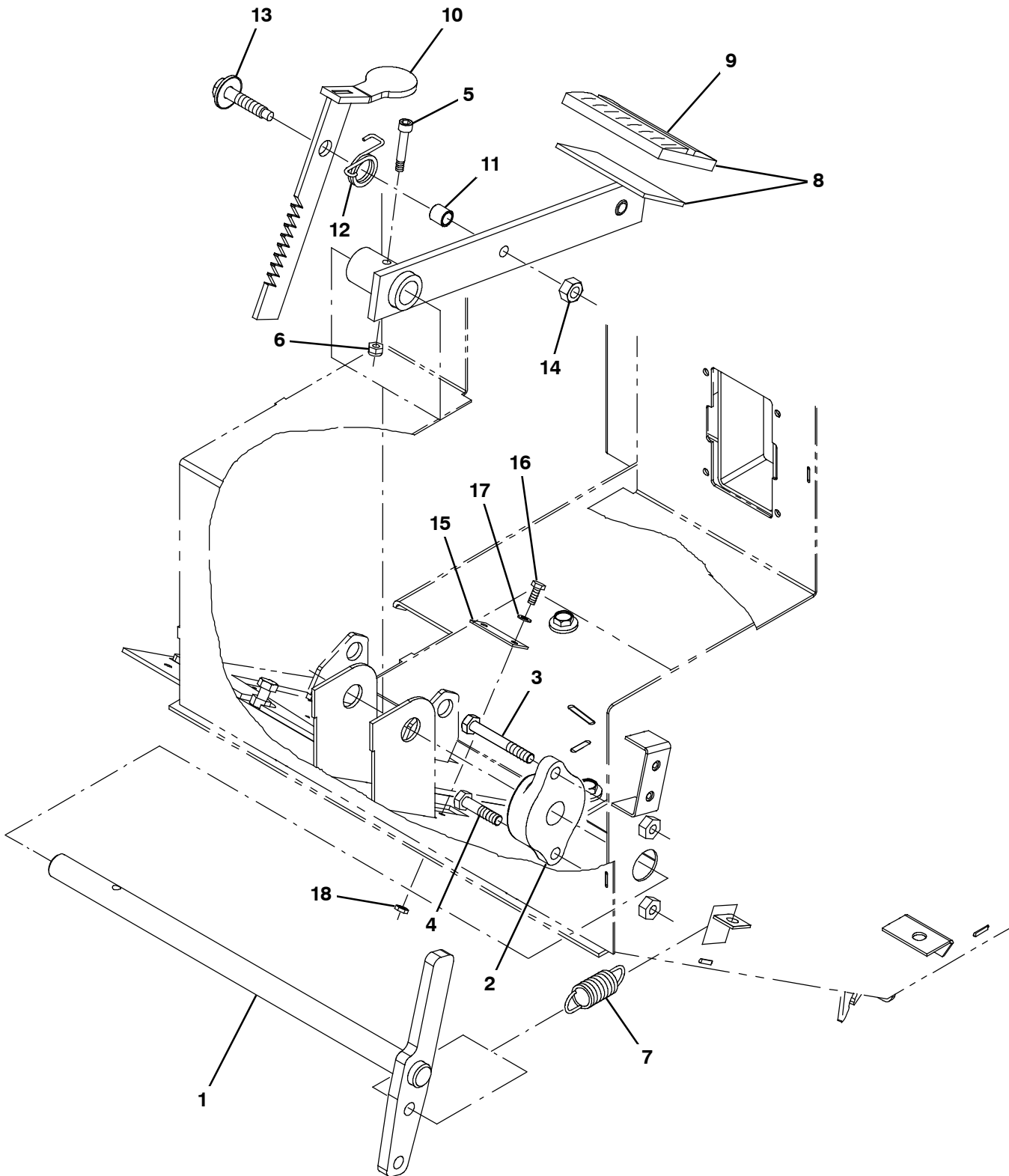


Fig. 30 - Brake Pedal and Parking Brake Group

Ref.	Part No.	Serial Number	Description	Qty.	
1	1026605	(006501-	) Rod Wldt, Brake	1	
2	26663	(006501-	) Bearing, Flng, 2hole, 0.75b	1	
3	363976	(006501-	) Screw, Hex, M8 X 1.25 X 60, 8.8, FI	1	
4	39277	(006501-	) Screw, Hex, M8 X 1.25 X 25, 8.8	1	
5	31249	(006501-	) Bolt, Shld, .25d X 1.25, #10- 24	1	
6	45181	(006501-	) Nut, Hex, Lock, #10- 24, NI	1	
7	87816	(006501-	) Spring, Extn, 0.75od 0.09wir 02.5l	1	
▽	8	1026610	(006501-	) Pedal Wldt, Brake	1
▲	9	51109	(006501-	) Pad, Pedal, Brake, 3.96l 2.36w 0.75	1
10	1042021	(006501-	) Brake Wldt, Parking	1	
11	46563	(006501-	) Bushing, Sleeve, 0.37b 0.50d 0.50l, Oib	1	
12	59009	(006501-	) Spring, Tors, 0.75id .06wir 02.8coil	1	
13	06955	(006501-	) Screw, Hex, M8 X 1.25 X 35, 8.8	1	
14	08709	(006501-	) Nut, Hex, Lock, M8 X 1.25, NI	1	
15	1042024	(006501-	) Plate, Stop, Parking	1	
16	33928	(006501-	) Screw, Hex, M4 X 0.70 X 20, Ss	2	
17	19065	(006501-	) Washer, Flat, 08	2	
18	33932	(006501-	) Nut, Hex, Lock, M4 X 0.70, NI, Ss	2	

Fig. 31 - Directional Pedal Group

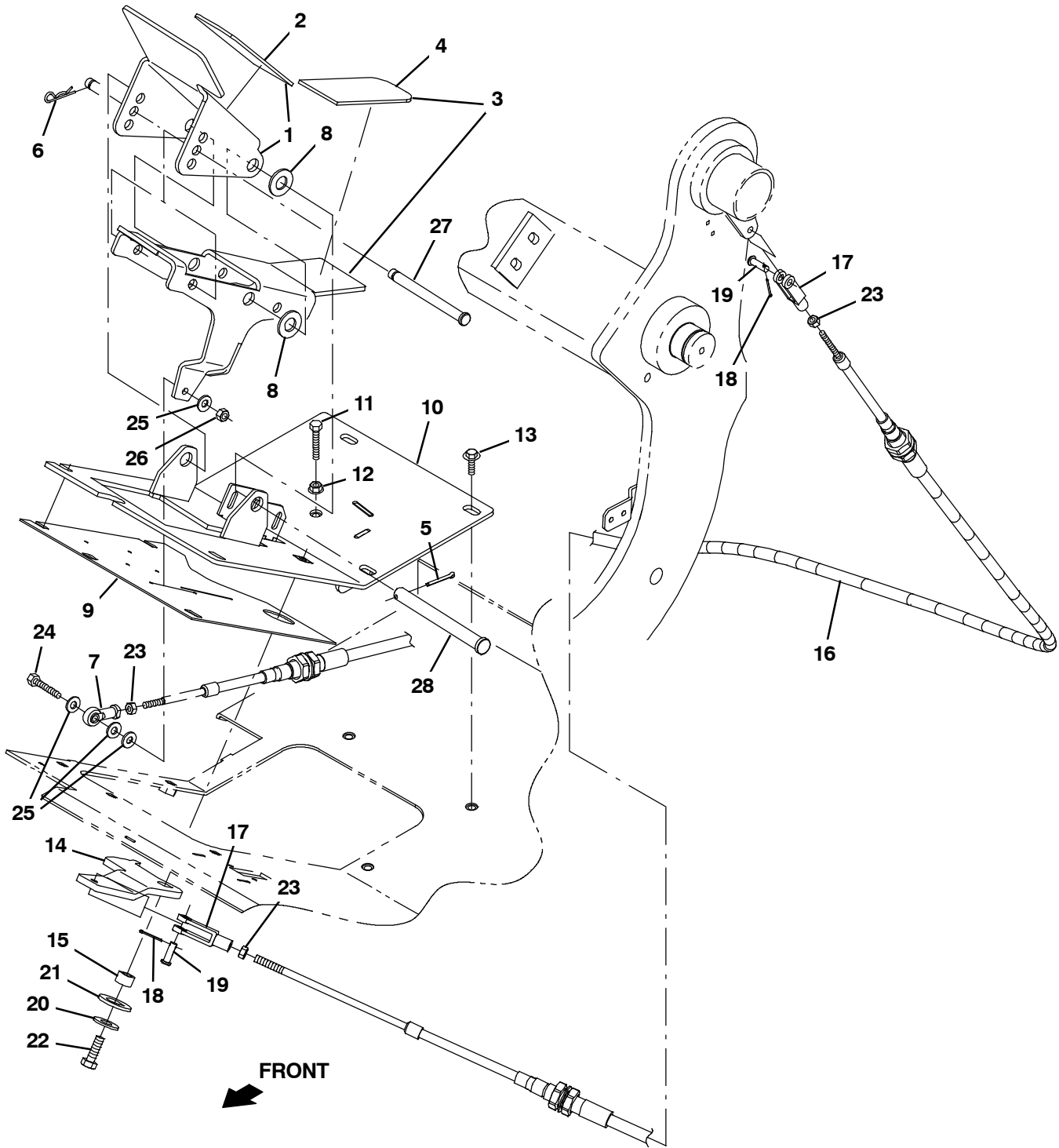


Fig. 31 - Directional Pedal Group

	Ref.	Part No.	Serial Number	Description	Qty.
▽	1	9004575	(006501-	) Pedal, Propel, Upper, W/Tread	1
▲	2	82839	(006501-	) Tread, Non- Skid, 02.2w 11.5l	1
▽	3	9004574	(006501-	) Pedal, Propel, Lower, W/Tread	1
▲	4	82839	(006501-	) Tread, Non- Skid, 02.2w 11.5l	1
	5	08182	(006501-	) Pin, Cotter, .125 X 1.00	1
	6	86866	(006501-	) Pin, Cotter, Hair, 0.38d .072 Wir	1
	7	1033995	(006501-	) Rod- End, M6 X 1.0rh Fem 6mmb [Nylon]	2
	8	32486	(006501-	) Washer, Flat, 0.50, Sae	2
	9	1038360	(006501-	) Gasket, Rbr, Pedal, Propel	1
	10	1026688	(006501-	) Panel Wldt, Access	1
	11	76570	(006501-	) Screw, Hex, M8 X 1.25 X 30, 8.8	1
	12	07791	(006501-	) Nut, Hex, Flng, M8 X 1.25	1
	13	1037346	(006501-	) Screw, Hex, M8 X 1.25 X 25, 9.8, Sems	6
	14	1034910	(006501-	) Link, Crank, Limiter	1
	15	1040761	(006501-	) Bushing, Sleeve, 0.31b 0.55d 0.38l, Oib	1
	16	1035620	(006501-	) Cable, Push / Pull, 070.4l M6x1.0/M6x1.0	1
	17	1035826	(006501-	) Clevis, Adj, M6 Pin, M6 X 1.0 Rh, Pl	2
	18	08178	(006501-	) Pin, Cotter, .062 X 0.75	2
	19	14605	(006501-	) Pin, Clevis, 0.25d X 0.75l	2
	20	32492	(006501-	) Washer, Flat, 0.38, Std	1
	21	15331	(006501-	) Washer, Flat, 0.62, Sae	1
	22	09010	(006501-	) Screw, Hex, M8 X 1.25 X 25, Ss	1
	23	41359	(006501-	) Nut, Hex, Std, M6 X 1.00, 8	3
	24	09007	(006501-	) Screw, Hex, M6 X 1.00 X 25, Ss	1
	25	01684	(006501-	) Washer, Flat, 0.27b 0.69d .05, Ss	4
	26	08712	(006501-	) Nut, Hex, Lock, M6 X 1.00, NI, Ss	1
	27	1040162	(006501-	) Pin, Clevis, 0.37d X 4.33l	1
	28	51538	(006501-	) Pin, Clevis, 0.50d X 5.00l	1

**Fig. 32 - Hydraulic Pump Linkage Group, S30 and XP**

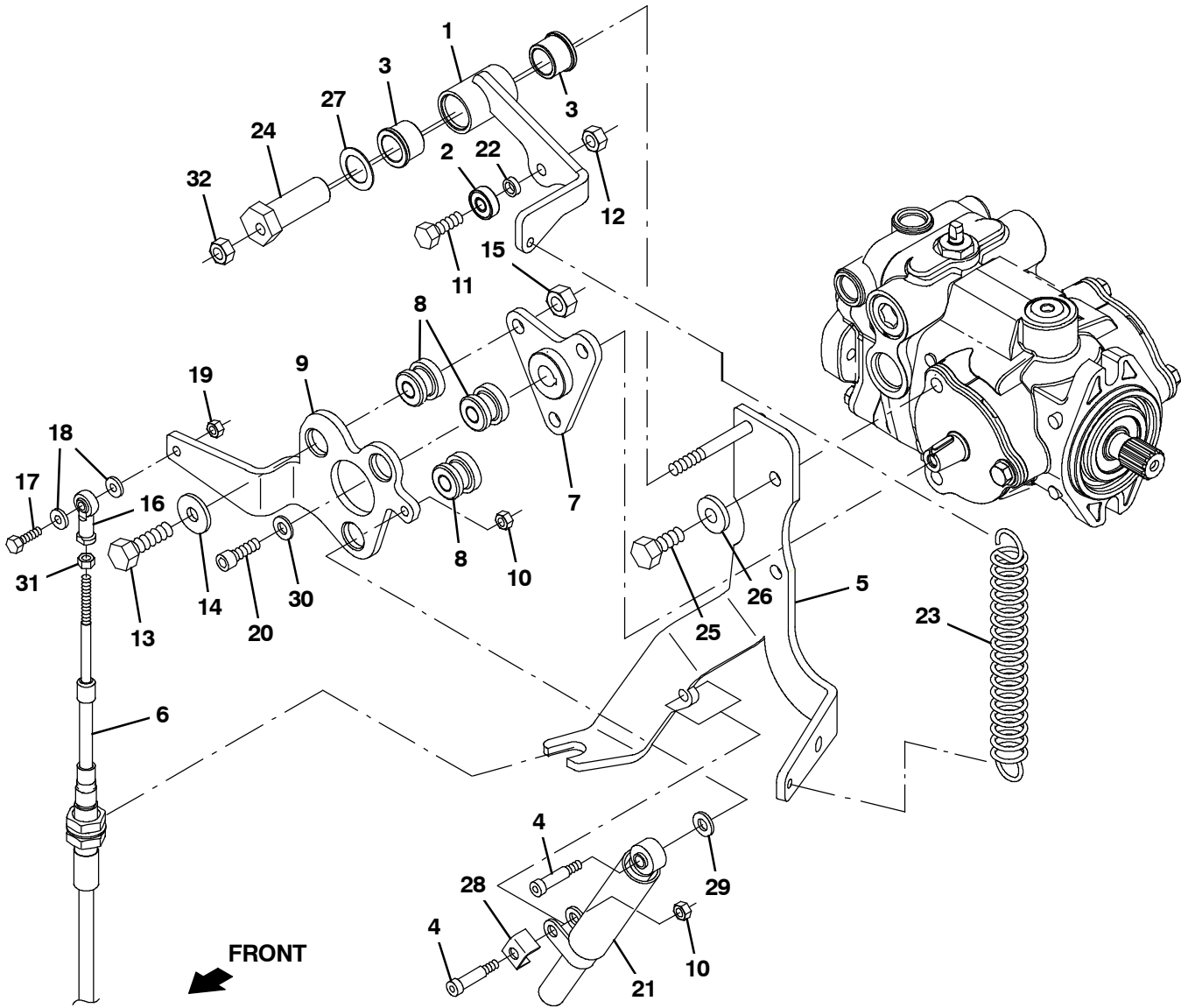


Fig. 32 - Hydraulic Pump Linkage Group, S30 and XP

Ref.	Part No.	Serial Number	Description	Qty.
1	1031921	(006501-	) Arm Wldt, Neutral	1
2	1027651	(006501-	) Bearing, Ball, 8mmb X 22mmd X 7mmw	1
3	1028246	(006501-	) Bearing, Flng, 0.75b 1.00d 0.75l, Bnz	2
4	16213	(006501-	) Bolt, Shld, .31d X 1.00, .25- 20	2
5	1072476	(006501-	) Bracket Wldt, Linkage, Propel [Mits]	1
6	1035619	(006501-	) Cable, Push / Pull, 062.5l M6x1.0/M6x1.0	1
7	1031939	(006501-	) Hub Wldt	1
8	59649	(006501-	) Isolator, Vib, Bshg, 1.1d 0.6l .4b 0.78h	3
9	1034244	(006501-	) Lever, Pump	1
10	75934	(006501-	) Nut, Hex, Lock, .25- 20, NI	2
11	76570	(006501-	) Screw, Hex, M8 X 1.25 X 30, 8.8	1
12	08709	(006501-	) Nut, Hex, Lock, M8 X 1.25, NI	1
13	39284	(006501-	) Screw, Hex, M10 X 1.50 X 35, 8.8	3
14	13248	(006501-	) Washer, Flat, 0.40b 1.12d .12, Stl, PI	3
15	41430	(006501-	) Nut, Hex, Lock, M10 X 1.5, NI	3
16	1033995	(006501-	) Rod- End, M6 X 1.0rh Fem 6mmb [Nylon]	1
17	06945	(006501-	) Screw, Hex, M6 X 1.00 X 30, 8.8	1
18	32483	(006501-	) Washer, Flat, 0.25, Sae	2
19	08708	(006501-	) Nut, Hex, Lock, M6 X 1.00, NI	1
20	1033237	(006501-	) Screw, Soc, .31- 24 X 1.00, Al	1
21	73411	(006501-	) Shock Absorber, 2.3 Strk	1
22	1027531	(006501-	) Spacer, 0.33b 0.50d 0.15l, PI	1
23	222236	(006501-	) Spring, Extn, 1.00od 0.12wir 05.0l	1
24	1027533	(006501-	) Pin, Pivot, 0.75d 02.1l, Int 0.33b	1
25	21198	(006501-	) Screw, Hex, .38- 16 X 1.25, G5	2
26	32491	(006501-	) Washer, Flat, 0.31, Std	2
27	64489	(006501-	) Washer, Flat, 0.81b 1.24d .03, Stl, PI	1
28	84170	(006501-	) Bracket, Retainer, Safety	1
29	39349	(006501-	) Washer, Flat, 0.31, Sae	1
30	41186	(006501-	) Washer, Flat, Belleville, .31	1
31	41359	(006501-	) Nut, Hex, Std, M6 X 1.00, 8	1
32	08709	(006501-	) Nut, Hex, Lock, M8 X 1.25, NI	1

**Fig. 33 - Hopper Group, Plastic**

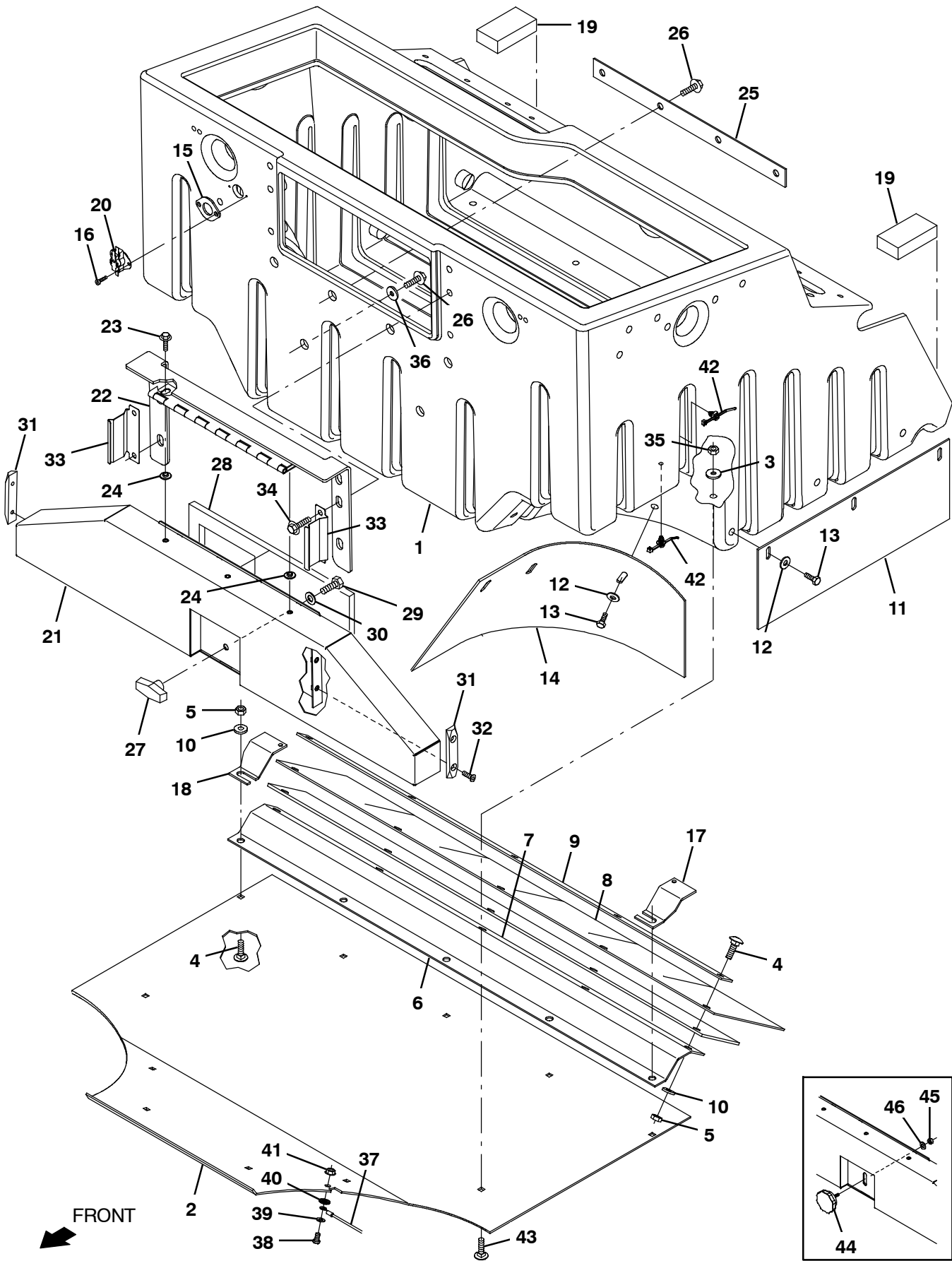


Fig. 33 - Hopper Group, Plastic

Ref.	Part No.	Serial Number	Description	Qty.
	1	1210993	(006501- ) Hopper, Plstc, Trimmed [S30]	1
	2	1214092	(006501- ) Plate Wldt, Sppt, Hppr Bottom	1
	3	1017218	(006501- ) Washer, Flat, 0.32b 1.00d .12, Ss	6
▽		9013115	(006501- ) Skirt Kit, Hppr, Maint [S30]	1
▲	4	1035684	(006501- ) Bolt, Carriage, M8 X 1.25 X 30	10
▲	5	08713	(006501- ) Nut, Hex, Lock, M8 X 1.25, NI, Ss	10
▲	6	1212460	(006501- ) Bracket, Sppt, Hppr Seal	1
▲	7	1212516	(006501- ) Skirt, Lip	1
▲	8	1212509	(006501- ) Skirt, Lip, Hppr	1
▲	9	1026798	(006501- ) Strap, Main, Lip	1
▲	10	32491	(006501- ) Washer, Flat, 0.31, Std	10
▲	11	1038037	(006501- ) Skirt, Hppr	1
▲	12	41178	(006501- ) Washer, Flat, 0.25, Fendr	6
▲	13	11635	(006501- ) Screw, Hex, M6 X 1.00 X 12, NI, Ss	6
▲	14	1212510	(006501- ) Skirt, Neo, .12, 15.9w, 20.8l, 03/SI	1
	15	82733	(006501- ) Gasket, Sensor, Thermal	1
	16	360943	(006501- ) Screw, Pan, Phl, 10- 14 X 0.75, F/ Plstc	2
	17	1044768	(006501- ) Bracket, Seal, Lh	1
	18	1044764	(006501- ) Bracket, Seal, Rh	1
	19	1049158	(006501- ) Insulation, Acstc, 1.0, 2.0 X 03.8 Adh	2
	20	367679	(006501- ) Switch, Thermal, 160deg, Spdt	1
	21	1213278	(006501- ) Door Wldt, Hppr	1
	22	1213263	(006501- ) Bracket Wldt, Door, Front	1
	23	1040467	(006501- ) Screw, Hex, M6 X 1.00 X 20, 9.8, Sems	3
	24	1213565	(006501- ) Sleeve, Flange	2
	25	1213673	(006501- ) Bar, Flat, Ss 0.12 1.5 X 18.5l, 4/0.5h	1
	26	1037355	(006501- ) Screw, Hex, M8 X 1.25 X 35, 9.8, Sems	6
▽		9013366	(006501- ) Latch Kit, Door, Access, Ci [S30]	1
▲	27	04706	(006784- ) Knob, Tee, 0.38- 16, 2.5 X 1.0 1.1l,Plstc	1
▲	28	1035660	(006501- ) Gasket, Ure, .50, 07.47w, 15.47l, Adh	1
▲	29	21195	(006784- ) Screw, Hex, .38- 16 X 0.75, G5	1
▲	30	32492	(006784- ) Washer, Flat, 0.38, Std	1
▲	31	1213971	(006501- ) Block, Nylon	2
▲	32	09062	(006501- ) Screw, Flt, Soc, M6 X 1.00 X 16, 10.9	4
▲	33	1213604	(006501- ) Latch, Door	2
▲	34	1020341	(006501- ) Screw, Hex, M8 X 1.25 X 20, 9.8, Sems	4
	35	08713	(006501- ) Nut, Hex, Lock, M8 X 1.25, NI, Ss	6
	36	30013	(006501- ) Washer, Flat, 0.31, Fendr	2
	37	1074155	(006501- ) Wire, 10ga, 35.0l, Grn, M8 Ring/M6 Ring	1
	38	09145	(006501- ) Screw, Pan, Phl, M6 X 1.00 X 16, 4.8	1
	39	32483	(006501- ) Washer, Flat, 0.25, Sae	1
	40	41140	(006501- ) Washer, Lock, Int- Ext, 0.25	1
	41	07790	(006501- ) Nut, Hex, Flng, M6 X 1.00	1
	42	1210807	(006501- ) Wire, Tie [W/.25" Fir Tree Clip]	3
	43	1035684	(006501- ) Bolt, Carriage, M8 X 1.25 X 30	6
	44	1047543	(006501- 006783 ) Knob, Rnd, 2.38d 0.88l M6 X 1.0, Plstc	1
	45	08708	(006501- 006783 ) Nut, Hex, Lock, M6 X 1.00, NI	1
	46	01684	(006501- 006783 ) Washer, Flat, 0.27b 0.69d .05, Ss	1

**Fig. 34 - Hopper Group, Steel**

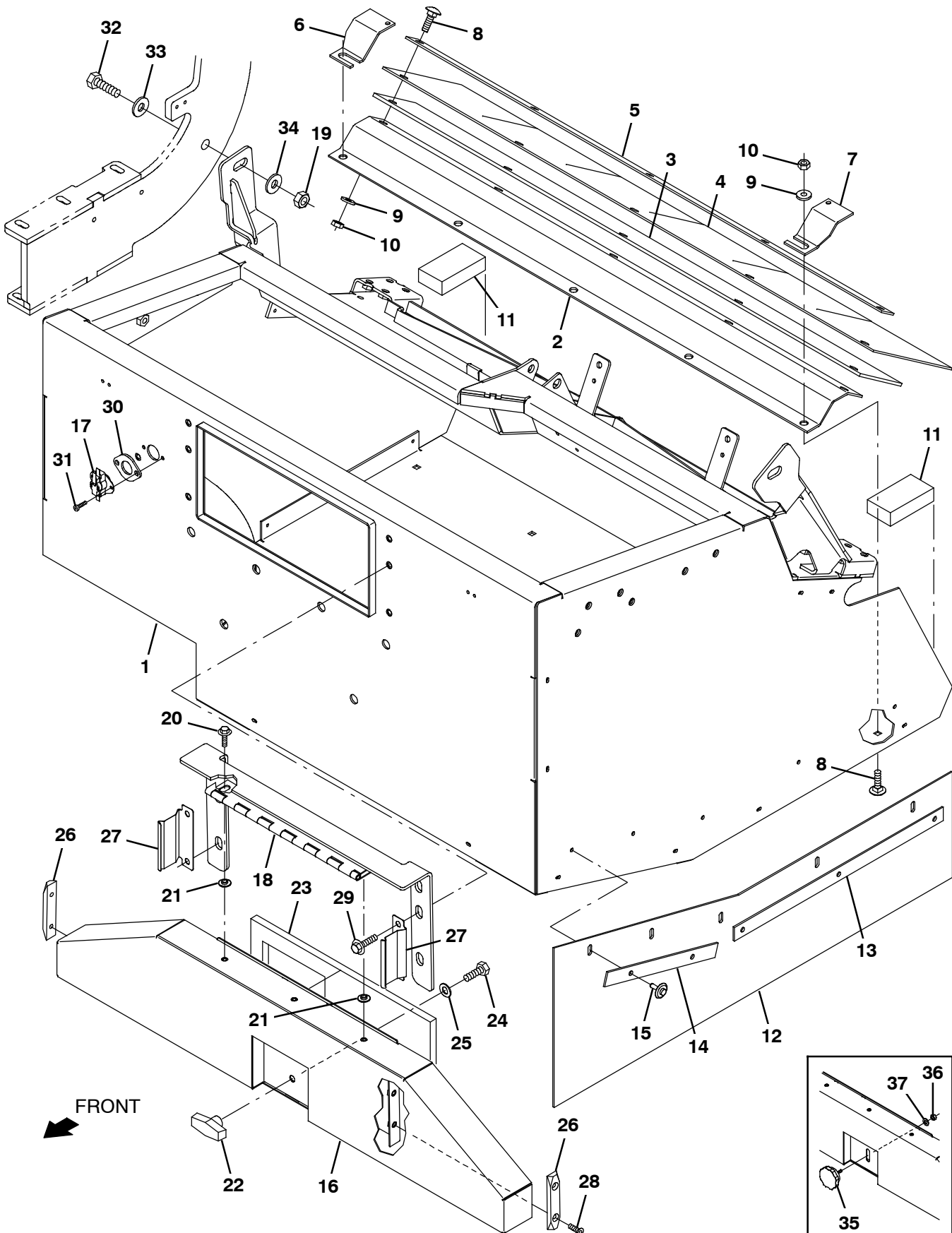


Fig. 34 - Hopper Group, Steel

Ref.	Part No.	Serial Number	Description	Qty.	
1	1211585	(006501-	) Hopper Wldt, Stl [S30]	1	
2	1212460	(006501-	) Bracket, Sppt, Hppr Seal	1	
3	1212516	(006501-	) Skirt, Lip	1	
4	1040590	(006501-	) Skirt, Lip, Hppr, Stl	1	
5	1026798	(006501-	) Strap, Main, Lip	1	
6	1044764	(006501-	) Bracket, Seal, Rh	1	
7	1044768	(006501-	) Bracket, Seal, Lh	1	
8	1035684	(006501-	) Bolt, Carriage, M8 X 1.25 X 30	10	
9	32491	(006501-	) Washer, Flat, 0.31, Std	10	
10	08713	(006501-	) Nut, Hex, Lock, M8 X 1.25, NI, Ss	10	
11	1049158	(006501-	) Insulation, Acstc, 1.0, 2.0 X 03.8 Adh	2	
12	1040276	(006501-	) Skirt, Deflector	1	
13	1040400	(006501-	) Retainer, Skirt, .12, 1.0w X 18.0l, Gray	1	
14	1040408	(006501-	) Retainer, Skirt, .12, 1.0w X 09.8l, Gray	1	
15	72968	(006501-	) Rivet, Plstc, .250d X 0.90	5	
16	1213278	(006501-	) Door Wldt, Hppr	1	
17	367679	(006501-	) Switch, Thermal, 160deg, Spdt	1	
18	1213263	(006501-	) Bracket Wldt, Door, Front	1	
19	08711	(006501-	) Nut, Hex, Lock, M12 X 1.75, NI	2	
20	1040467	(006501-	) Screw, Hex, M6 X 1.00 X 20, 9.8, Sems	3	
21	1213565	(006501-	) Sleeve, Flange	2	
▽	9013366	(006501-	) Latch Kit, Door, Access, Ci [S30]	1	
▲	22	04706	(006784-	) Knob, Tee, 0.38- 16, 2.5 X 1.0 1.1l,Plstc	1
▲	23	1035660	(006501-	) Gasket, Ure, .50, 07.47w, 15.47l, Adh	1
▲	24	21195	(006784-	) Screw, Hex, .38- 16 X 0.75, G5	1
▲	25	32492	(006784-	) Washer, Flat, 0.38, Std	1
▲	26	1213971	(006501-	) Block, Nylon	2
▲	27	1213604	(006501-	) Latch, Door	2
▲	28	09062	(006501-	) Screw, Flt, Soc, M6 X 1.00 X 16, 10.9	4
▲	29	1020341	(006501-	) Screw, Hex, M8 X 1.25 X 20, 9.8, Sems	4
30	82733	(006501-	) Gasket, Sensor, Thermal	1	
31	24265	(006501-	) Screw, Pan, Phl, M4 X 0.70 X 16, Ss	2	
32	69972	(006501-	) Screw, Hex, M12 X 1.75 X 40, 10.9	2	
33	36328	(006501-	) Washer, Flat, Belleville, .50	2	
34	32493	(006501-	) Washer, Flat, 0.50, Std	2	
35	1047543	(006501- 006783 )	) Knob, Rnd, 2.38d 0.88l M6 X 1.0, Plstc	1	
36	08708	(006501- 006783 )	) Nut, Hex, Lock, M6 X 1.00, NI	1	
37	01684	(006501- 006783 )	) Washer, Flat, 0.27b 0.69d .05, Ss	1	

**Fig. 35 - Hopper Cylinder and Dump Door Group, Plastic**

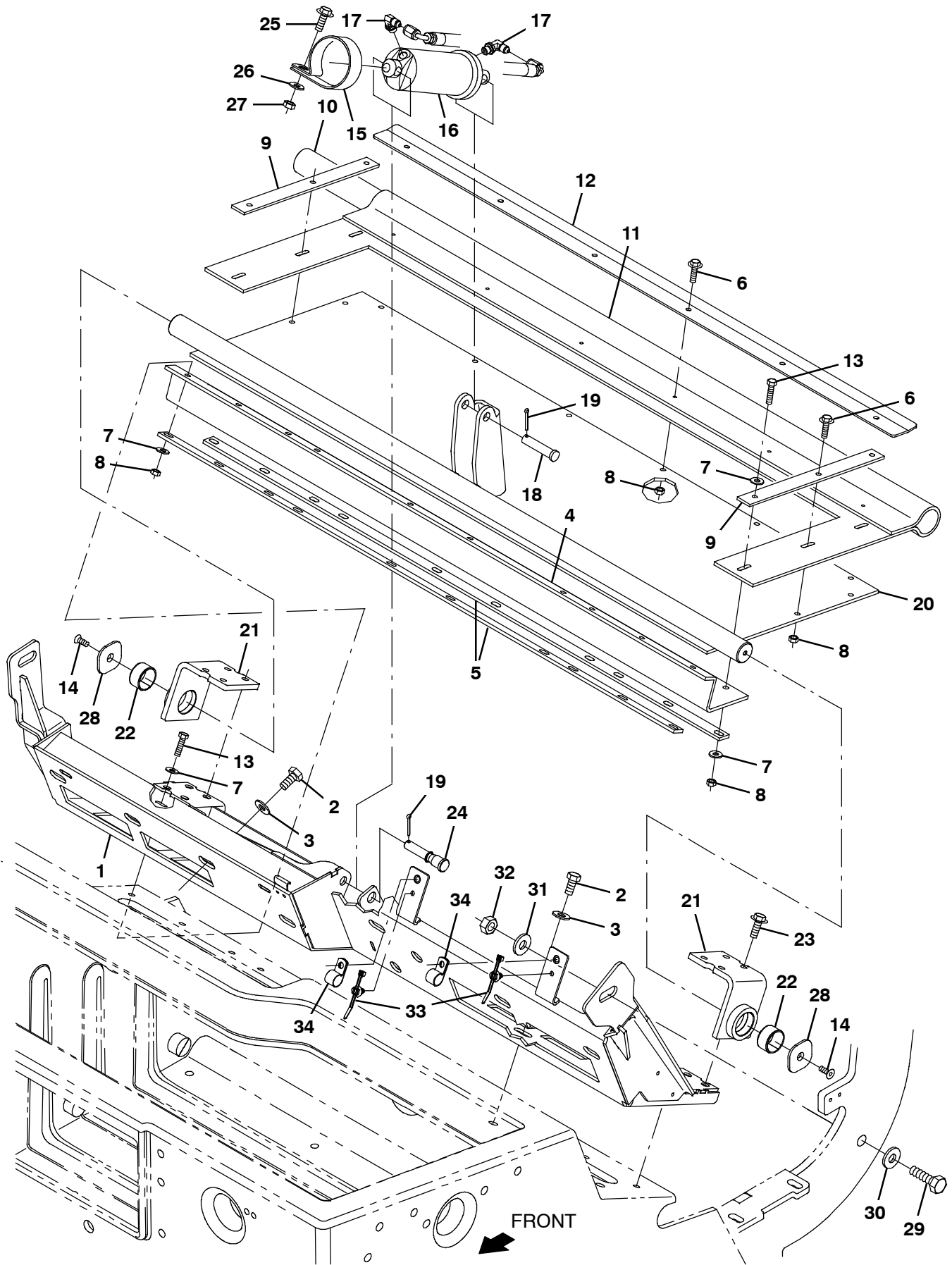


Fig. 35 - Hopper Cylinder and Dump Door Group, Plastic

Ref.	Part No.	Serial Number	Description	Qty.	
1	1211089	(006501-	) Bracket Wldt, Mtg, Door, Hppr	1	
2	10959	(006501-	) Screw, Hex, M10 X 1.50 X 20, NI, Ss	13	
3	01686	(006501-	) Washer, Flat, 0.44b 1.00d .08, Ss	13	
▽	9013116	(006501-	) Skirt Kit, Door, Hppr, Maint [S30]	1	
▲	4	1212570	(006501-	) Seal, Wiper, Door	1
▲	5	1212756	(006501-	) Retainer, Seal	2
▲	6	1037345	(006501-	) Screw, Hex, M6 X 1.00 X 30, 9.8, Sems	16
▲	7	32490	(006501-	) Washer, Flat, 0.25, Std	34
▲	8	08712	(006501-	) Nut, Hex, Lock, M6 X 1.00, NI, Ss	28
▲	9	1044950	(006501-	) Strap, Door, Dump, Side	2
▲	10	1030218	(006501-	) Cord, Sponge	1
▲	11	1212440	(006501-	) Seal, Door, Dump	1
▲	12	1044419	(006501-	) Plate, Retainer, Door, Dump	1
▲	13	06946	(006501-	) Screw, Hex, M6 X 1.00 X 35, 8.8	12
14	09062	(006501-	) Screw, Flt, Soc, M6 X 1.00 X 16, 10.9	2	
15	70157	(006501-	) Clamp, Cable, Ss, 2.50d X 1.00w, 1hole	1	
16	1038176	(006501-	) Cylinder, Hyd, 2.0b 08.0l 04.00strk 2500	1	
17	762427	(006501-	) Fitting, Hyd, E90, Fm04/Om04	2	
18	630448	(006501-	) Pin, Clevis, 0.50d X 2.25l	1	
19	08236	(006501-	) Pin, Cotter, .156 X 1.25	2	
20	1211061	(006501-	) Door Wldt, Hppr	1	
21	1211096	(006501-	) Bracket Wldt, Door	2	
22	1040759	(006501-	) Bearing, Journal- 1.25 I.D. X .75 Lg	2	
23	1037354	(006501-	) Screw, Hex, M8 X 1.25 X 30, 9.8, Sems	8	
24	1213549	(006501-	) Pin, Clevis (Shoulder)	1	
25	1037355	(006501-	) Screw, Hex, M8 X 1.25 X 35, 9.8, Sems	1	
26	32491	(006501-	) Washer, Flat, 0.31, Std	1	
27	08713	(006501-	) Nut, Hex, Lock, M8 X 1.25, NI, Ss	1	
28	1212373	(006501-	) Washer, Retainer, Door, Dump	2	
29	69972	(006501-	) Screw, Hex, M12 X 1.75 X 40, 10.9	2	
30	36328	(006501-	) Washer, Flat, Belleville, .50	2	
31	32493	(006501-	) Washer, Flat, 0.50, Std	2	
32	08711	(006501-	) Nut, Hex, Lock, M12 X 1.75, NI	2	
33	1210807	(006501-	) Wire, Tie [W/.25" Fir Tree Clip]	2	
34	67767	(006501-	) Clamp, Cable, Stl, 0.69d X 0.62w, 1hole	2	

**Fig. 36 - Hopper Cylinder and Dump Door Group, Steel**

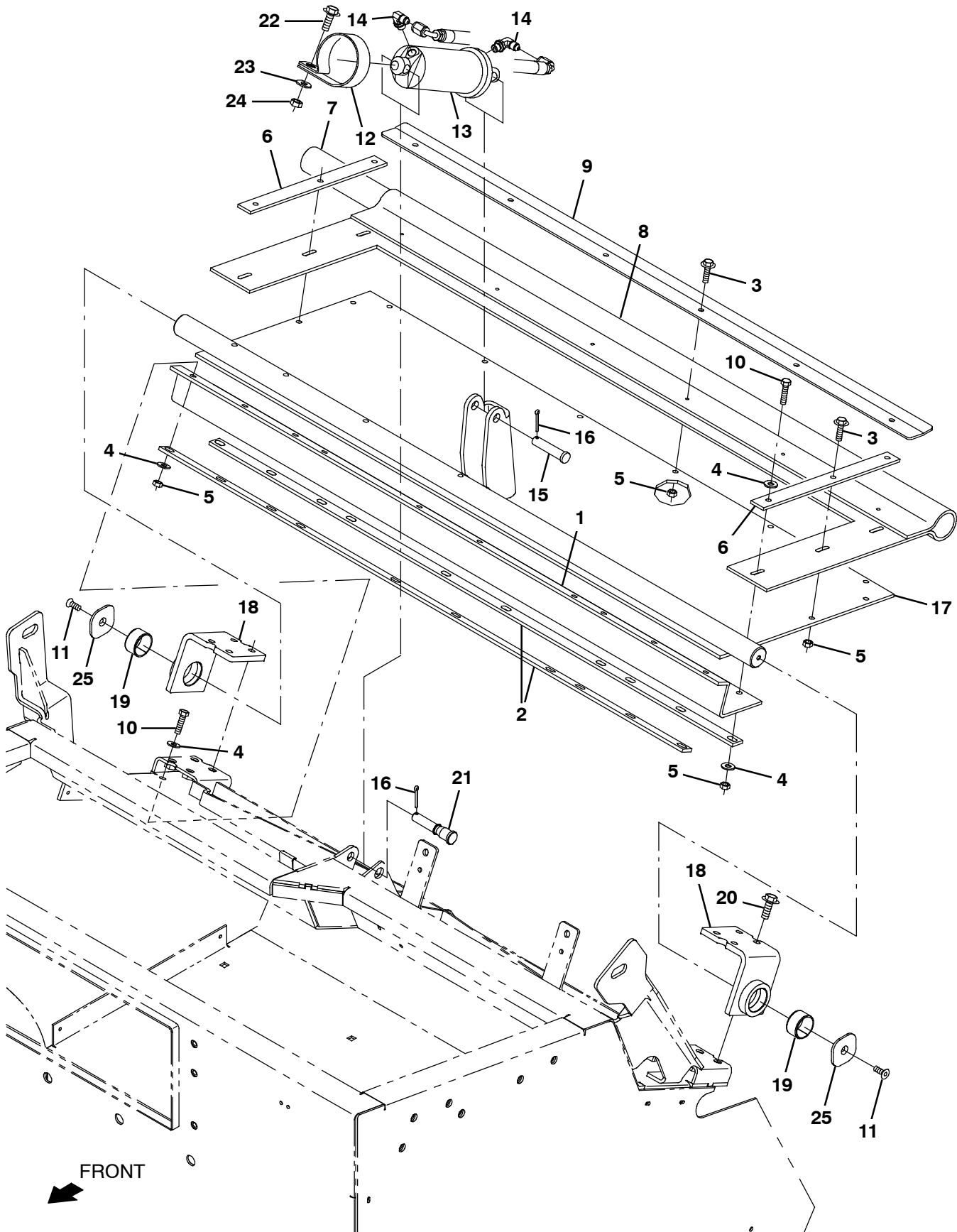


Fig. 36 - Hopper Cylinder and Dump Door Group, Steel

Ref.	Part No.	Serial Number	Description	Qty.
▽	9013116	(006501-	) Skirt Kit, Door, Hppr, Maint [S30]	1
▲	1 1212570	(006501-	) Seal, Wiper, Door	1
▲	2 1212756	(006501-	) Retainer, Seal	2
▲	3 1037345	(006501-	) Screw, Hex, M6 X 1.00 X 30, 9.8, Sems	16
▲	4 32490	(006501-	) Washer, Flat, 0.25, Std	34
▲	5 08712	(006501-	) Nut, Hex, Lock, M6 X 1.00, NI, Ss	28
▲	6 1044950	(006501-	) Strap, Door, Dump, Side	2
▲	7 1030218	(006501-	) Cord, Sponge	1
▲	8 1212440	(006501-	) Seal, Door, Dump	1
▲	9 1044419	(006501-	) Plate, Retainer, Door, Dump	1
▲	10 06946	(006501-	) Screw, Hex, M6 X 1.00 X 35, 8.8	12
	11 09062	(006501-	) Screw, Flt, Soc, M6 X 1.00 X 16, 10.9	2
	12 70157	(006501-	) Clamp, Cable, Ss, 2.50d X 1.00w, 1hole	1
	13 1038176	(006501-	) Cylinder, Hyd, 2.0b 08.0l 04.00strk 2500	1
	14 762427	(006501-	) Fitting, Hyd, E90, Fm04/Om04	2
	15 630448	(006501-	) Pin, Clevis, 0.50d X 2.25l	1
	16 08236	(006501-	) Pin, Cotter, .156 X 1.25	2
	17 1211061	(006501-	) Door Wldt, Hppr	1
	18 1211096	(006501-	) Bracket Wldt, Door	2
	19 1040759	(006501-	) Bearing, Journal- 1.25 I.D. X .75 Lg	2
	20 1037354	(006501-	) Screw, Hex, M8 X 1.25 X 30, 9.8, Sems	8
	21 1213549	(006501-	) Pin, Clevis (Shoulder)	1
	22 1037355	(006501-	) Screw, Hex, M8 X 1.25 X 35, 9.8, Sems	1
	23 32491	(006501-	) Washer, Flat, 0.31, Std	1
	24 08713	(006501-	) Nut, Hex, Lock, M8 X 1.25, NI, Ss	1
	25 1212373	(006501-	) Washer, Retainer, Door, Dump	2

**Fig. 37 - Hopper Cover Group**

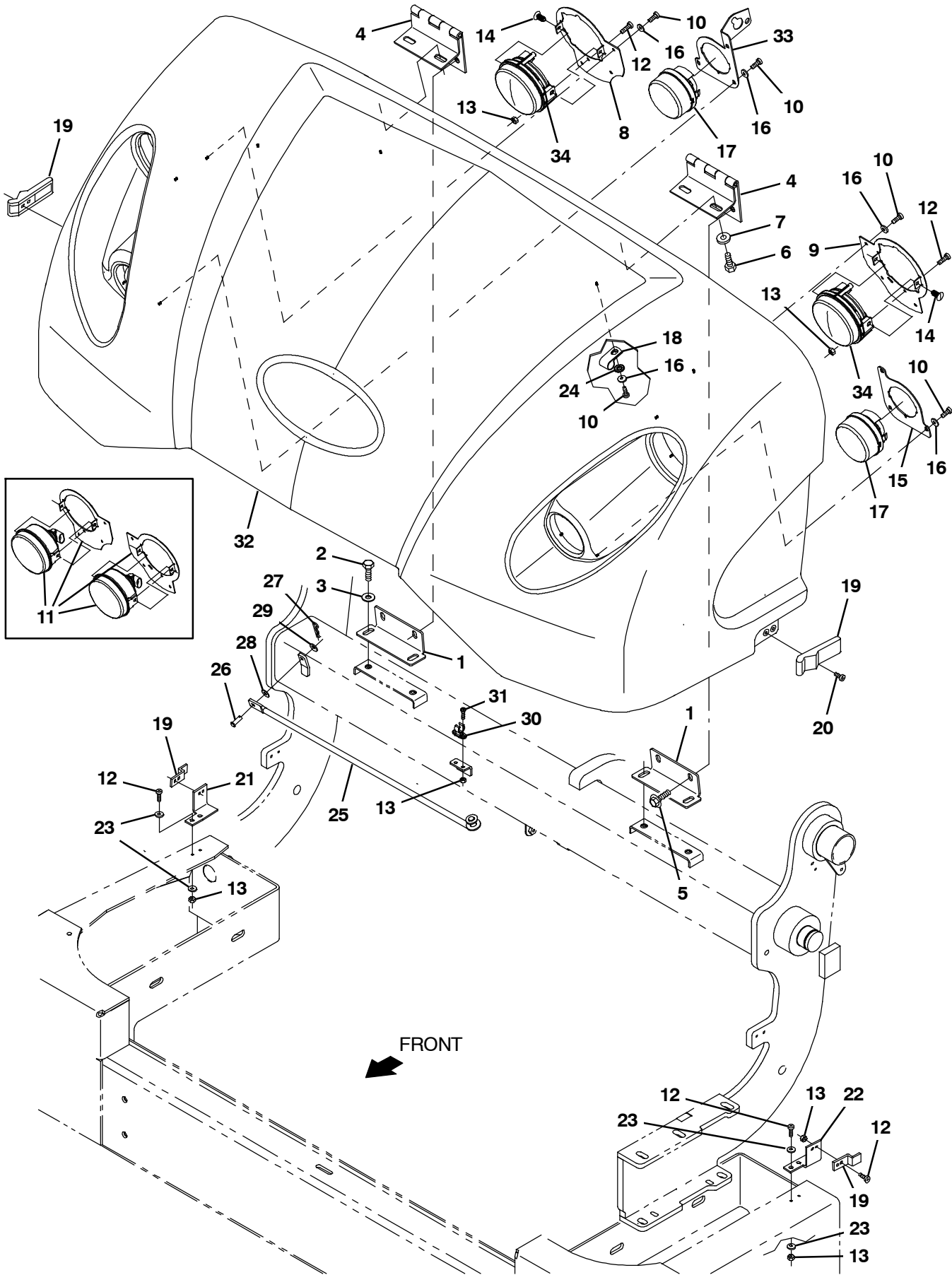


Fig. 37 - Hopper Cover Group

Ref.	Part No.	Serial Number	Description	Qty.	
1	1211012	(006501-	) Angle, Mtg, Cover, Hppr	2	
2	09740	(006501-	) Screw, Hex, M8 X 1.25 X 20, Ss	4	
3	01685	(006501-	) Washer, Flat, 0.38b 0.88d .08, Ss	4	
4	1211024	(006501-	) Hinge Wldt, Mtg, Cover, Hppr [S30]	2	
5	1037346	(006501-	) Screw, Hex, M8 X 1.25 X 25, 9.8, Sems	4	
6	15675	(006501-	) Screw, Hex, M8 X 1.25 X 16, Ss	4	
7	32491	(006501-	) Washer, Flat, 0.31, Std	4	
8	1242881	(006948-	) Plate, Ring, Headlight, Rh	1	
9	1242555	(006948-	) Plate, Ring, Headlight, Lh	1	
10	360943	(006501-	) Screw, Pan, 12- 16 X 0.75, F/ Plstc	17	
▽	11	9018569	(006501- 006947 ) Headlight Kit, Led, Replmt [S30]	1	
▲		1060413	(006501- 006947 ) Lamp, 12vdc, 37.5watt, Halogen	1	
	12	06927	(006501-	) Screw, Pan, Phl, M4 X 0.70 X 16, 4.8	10
	13	02850	(006501-	) Nut, Hex, Lock, M4 X 0.70, NI	12
	14	1066063	(006501-	) Plug, Hole, Rnd, 0.25h 0.43l, Brb, Nyl	4
	15	1057934	(006501-	) Plate, Ring, Light	1
	16	19066	(006501-	) Washer, Flat, 10	17
	17	1029238	(006501-	) Lens Assy, W/ Reflector	2
	18	82829	(006501-	) Clamp, Cable, Stl, 0.63d X 0.75w, 1hole	4
	19	49800	(006501-	) Latch	2
	20	49697	(006501-	) Screw, Pan, Phl, M4 X 0.70 X 10, Ss	4
	21	1039971	(006501-	) Bracket, Latch, Rh	1
	22	1039999	(006501-	) Bracket, Latch, Lh	1
	23	19065	(006501-	) Washer, Flat, 08	8
	24	41139	(006501-	) Washer, Lock, Int- ext, 10	4
	25	1212389	(006501-	) Rod Wldt, Prop, Cover, Hppr	1
	26	28296	(006501-	) Pin, Clevis, 0.25d X 0.50l	1
	27	44906	(006501-	) Pin, Cotter, Hair, 0.38d .093 Wir	1
	28	43454	(006501-	) Washer, Flat, 0.34b 0.69d .06, Nyl	1
	29	32483	(006501-	) Washer, Flat, 0.25, Sae	1
	30	1061002	(006501-	) Clip, Grip, Rod, 0.49- 0.63, Blk Plstc.	1
	31	06927	(006501-	) Screw, Pan, Phl, M4 X 0.70 X 16, 4.8	2
	32	1056815	(006501-	) Cover, Hppr, Rm- Cptl, Trimmed	1
	33	1215646	(006501-	) Plate, Ring, Light	1
	34	1242544	(006948-	) Headlight, Led, Rnd [S20/S30 lc]	2

**Fig. 38 - Hopper Lift Arms and Bumper Group**

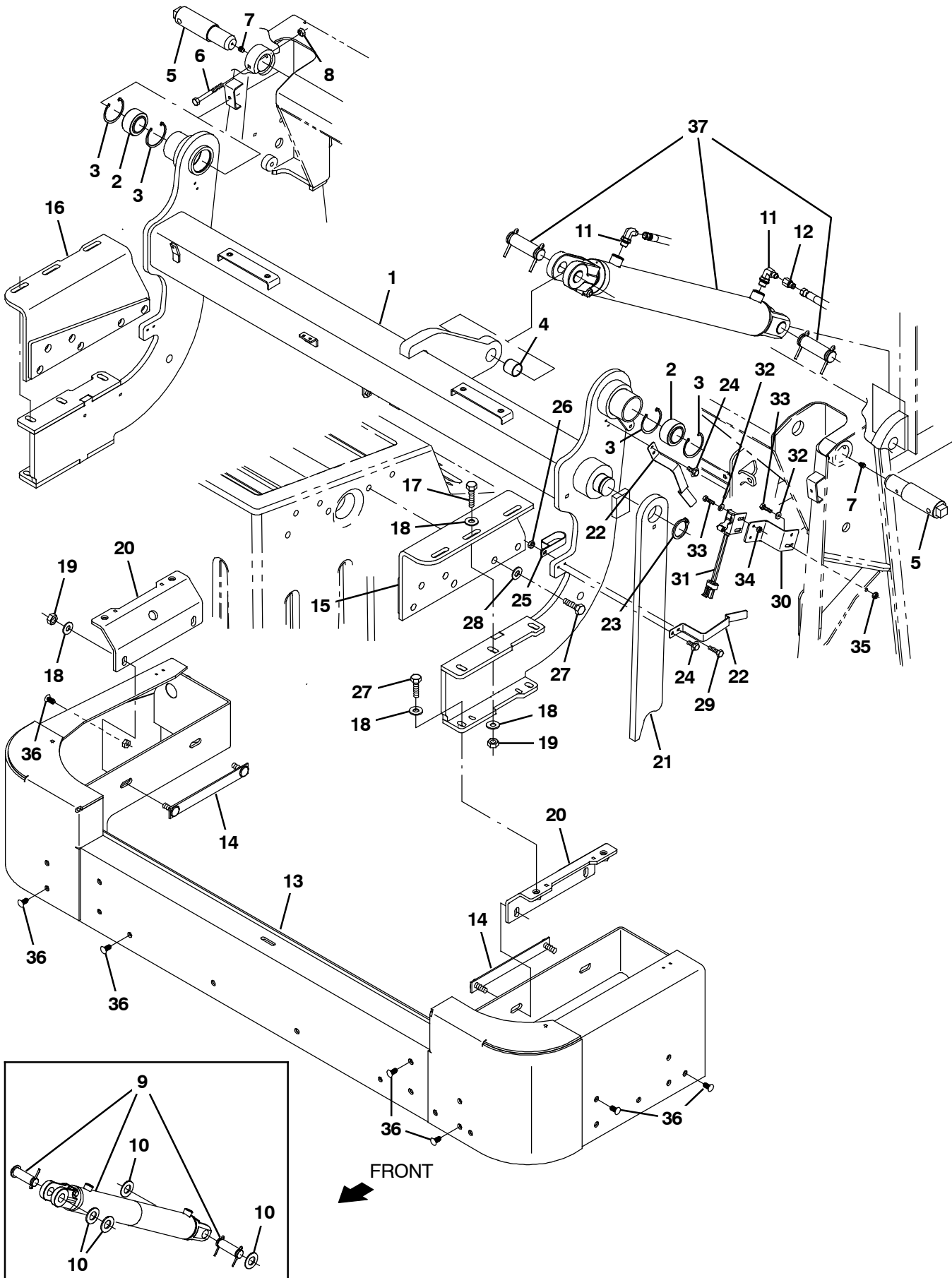


Fig. 38 - Hopper Lift Arms and Bumper Group

Ref.	Part No.	Serial Number	Description	Qty.	
1	1210785	(006501-	) Arm Wldt, Hppr, Rear Dump	1	
2	42120- 1	(006501-	) Bearing, Self Align, 1.25b 2.00d	2	
3	59542	(006501-	) Ring, Retaining, Int, 2.00d	4	
4	35529	(006501-	) Bushing, Sleeve, 1.00b 1.13d 0.99l, Fgl	1	
5	1212820	(006501-	) Pin, Lift, Hppr	2	
6	39279	(006501-	) Screw, Hex, M8 X 1.25 X 70, 8.8	2	
7	07259	(006501-	) Fitting, Grease, Str Pm04 .47l	2	
8	08709	(006501-	) Nut, Hex, Lock, M8 X 1.25, NI	2	
▽	9	1038915	(006501-006823 ) Cylinder, Hyd, 2.5b 28.6l 18.62strk 3000	1	
▲		373702	(006501-006823 ) Seal Kit	1	
10	32598	(006501-006823 )	Washer, Flat, 1.02b 1.75d .12, Stl	4	
11	762425	(006501-	) Fitting, Hyd, E90, Fm04/Om06	2	
12	1067059	(006501-	) Fitting, Hyd, Rst, Fm04/Of04, .047	1	
13	1212410	(006501-	) Bumper Wldt, Front	1	
14	1210948	(006501-	) Plate Wldt, Mtg, Bumper	2	
15	1210931	(006501-	) Bracket Wldt, Mtg, Hppr, Rh	1	
16	1210940	(006501-	) Bracket Wldt, Mtg, Hppr, Lh	1	
17	39285	(006501-	) Screw, Hex, M10 X 1.50 X 40, 8.8	6	
18	01686	(006501-	) Washer, Flat, 0.44b 1.00d .08, Ss	16	
19	41430	(006501-	) Nut, Hex, Lock, M10 X 1.5, NI	10	
20	1210954	(006501-	) Bracket Wldt, Mtg, Bumper	2	
21	9004527	(006501-	) Arm, Safety, Hppr, W/ Label, Replmt	1	
22	1210813	(006501-	) Clip, Spring, Prop Arm	2	
23	63296	(006501-	) Plate, Brake, Pedal	1	
24	222158	(006501-	) Screw, Hex, M6 X 1.00 X 10, Fmg	4	
25	67366	(006501-	) Clamp, Cable, Stl, 1.0x2.0x0.62w, 1hole	1	
26	08708	(006501-	) Nut, Hex, Lock, M6 X 1.00, NI	1	
27	39284	(006501-	) Screw, Hex, M10 X 1.50 X 35, 8.8	16	
28	32492	(006501-	) Washer, Flat, 0.38, Std	12	
29	06944	(006501-	) Screw, Hex, M6 X 1.00 X 25, 8.8	1	
30	1212087	(006501-	) Bracket, Mtg, Switch	1	
31	367404	(006501-	) Switch, Snap, 15a No, Rlr	1	
32	19066	(006501-	) Washer, Flat, 0.25b 0.56d .05, Pl, 10	4	
33	09252	(006501-	) Screw, Hex, M5 X 0.80 X 20, 8.8	4	
34	06549	(006501-	) Nut, Hex, Lock, M5 X 0.80, NI	4	
35	07789	(006501-	) Nut, Hex, Fing, M5 X 0.80	2	
36	21168	(006501-	) Plug, Hole, Rnd, 0.25h 0.8l, Brb, Nyl	26	
▽	37	1048538	(006824-	) Cylinder, Hyd, 2.5b 28.6l 18.62strk 3000	1
▲		9011419	(006824-	) Seal Kit, Cyl, Hyd	1

Fig. 39 - Hopper Counter Weight Group, Steel

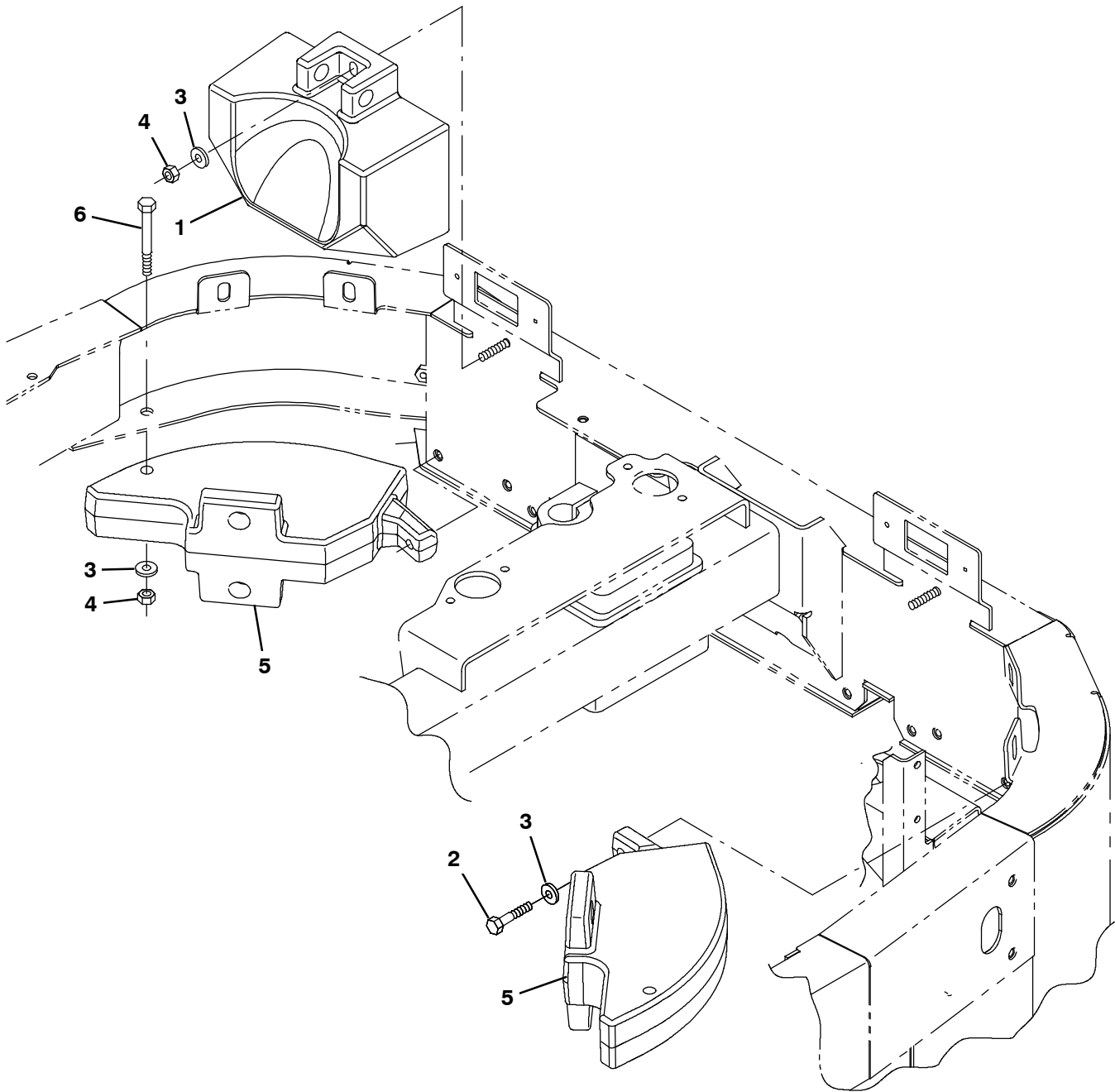


Fig. 39 - Hopper Counter Weight Group, Steel

Ref.	Part No.	Serial Number	Description	Qty.
1	1031503	(006501-	) Weight, Counter, Casting, 72.8lb	1
2	16930	(006501-	) Screw, Hex, M10 X 1.50 X 50, 8.8	3
3	32493	(006501-	) Washer, Flat, 0.50, Std	6
4	08714	(006501-	) Nut, Hex, Lock, M10 X 1.5, NI, Ss	3
5	1034978	(006501-	) Weight, Counter, Casting, 52.8lb	2
6	03193	(006501-	) Screw, Hex, M10 X 1.50 X 90, 8.8	2

**Fig. 40 - Hopper Pre-Filter Group**

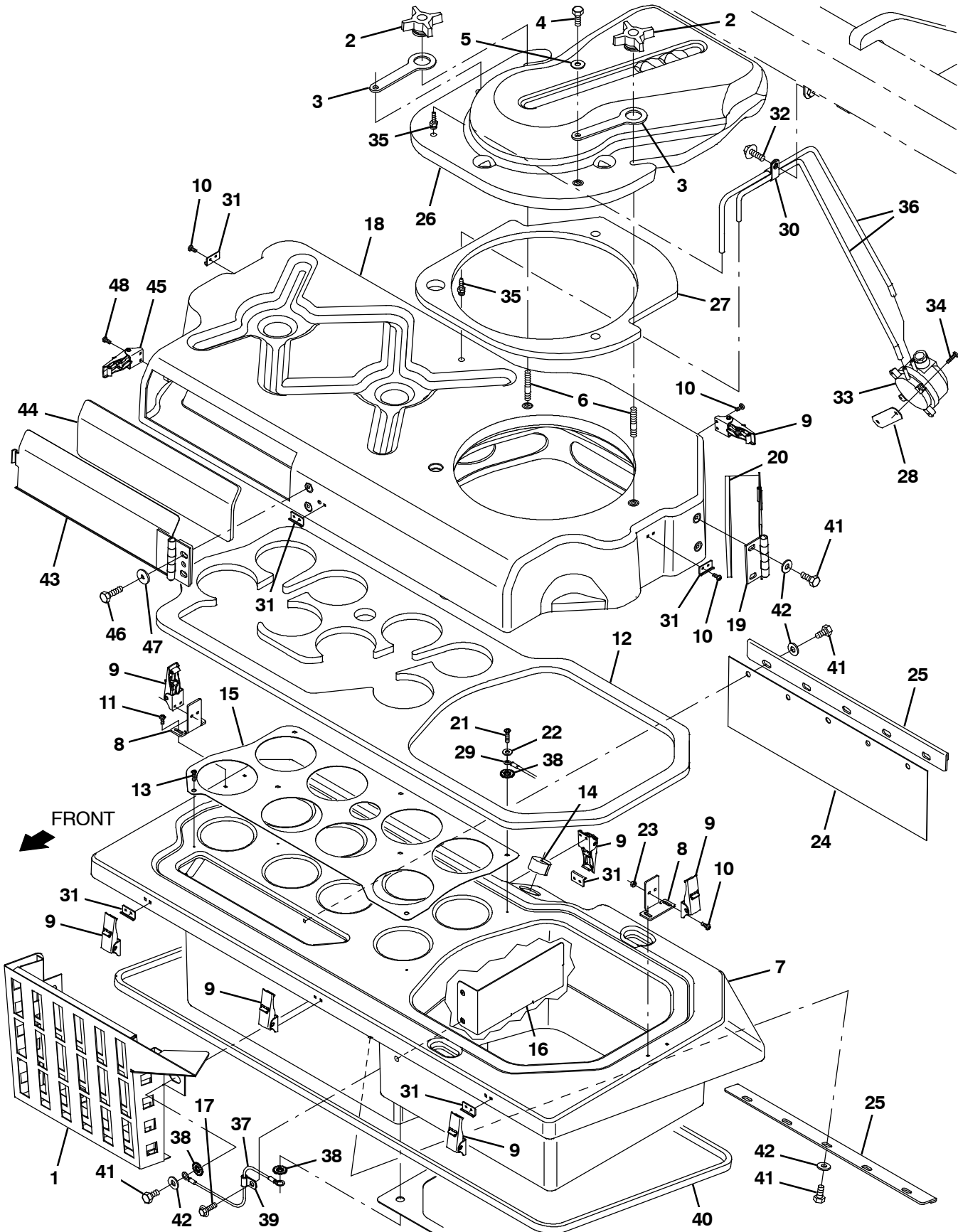


Fig. 40 - Hopper Pre-Filter Group

Ref.	Part No.	Serial Number	Description	Qty.
	1	1211263	(006501- ) Panel Wldt, Perma Filter	1
▽	9013364	(006501- )	Strap Kit, Knob, Filtr Box [S30]	1
▲	2	1048335	(006501- ) Knob, Star, 2.75d 4ear 1.1l M8x1.25	2
▲	3	1048353	(006501- ) Strap, Rbr	2
▲	4	15675	(006501- ) Screw, Hex, M8 X 1.25 X 16, Ss	2
▲	5	01685	(006501- ) Washer, Flat, 0.38b 0.88d .08, Ss	2
▲	6	1049860	(006501- ) Stud, M8 X 1.25 [55.0]	2
	7	1210746	(006501- ) Box, Lower, Cyclone, Trimmed	1
	8	1213221	(006501- ) Bracket, Mtg, Cyclonics	2
	9	384418	(006501- ) Latch, Door [Southco 91- 562- 07]	7
	10	06925	(006501- ) Screw, Pan, Phl, M4 X 0.70 X 6, 4.8	16
	11	24265	(006501- ) Screw, Pan, Phl, M4 X 0.70 X 16, Ss	4
	12	1210796	(006501- ) Gasket, Tray, Cyclonic	1
	13	360943	(006501- ) Screw, Pan, Phl, 10- 14 X 0.75, F/ Plstc	7
	14	1049982	(006501- ) Seal, Foam	1
	15	1213817	(006501- ) Plate, Grounding, Cyclone	1
	16	1213825	(006501- ) Bracket Wldt	1
	17	1040467	(006501- ) Screw, Hex, M6 X 1.00 X 20, 9.8, Sems	3
	18	1211007	(006501- ) Box, Pre- Filter, Upper	1
	19	1212149	(006501- ) Door Wldt, Cleanout	1
	20	1212512	(006501- ) Seal, Cleanout Door	1
	21	09200	(006501- ) Screw, Pan, Phl, M5 X 0.80 X 12, Ss	1
	22	01683	(006501- ) Washer, Flat, 10, Ss	1
	23	02850	(006501- ) Nut, Hex, Lock, M4 X 0.70, NI	4
	24	1211566	(006501- ) Seal Assy, Door, Cyclonics	1
	25	1211554	(006501- ) Retainer, Seal, Door	2
	26	1210996	(006501- ) Cover, Filter, Trimmed	1
	27	1213191	(006501- ) Gasket, Cover	1
	28	1213382	(006501- ) Plate, Sensor, Pressure	1
	29	1074155	(006501- ) Wire, 10ga, 35.0l, Grn, M8 Ring/M6 Ring	1
	30	67767	(006501- ) Clamp, Cable, Stl, 0.69d X 0.62w, 1hole	1
	31	384419	(006501- ) Bracket, Latch, Keeper [Southco]	6
	32	1037346	(006501- ) Screw, Hex, M8 X 1.25 X 25, 9.8, Sems	1
	33	9009247	(006501- ) Switch Kit, Press, Replmt[S30]	1
	34	06927	(006501- ) Screw, Pan, Phl, M4 X 0.70 X 16, 4.8	2
	35	40607	(006501- ) Fitting, Brs, Str, Bm03/Pm02	2
	36	1031576	(006501- ) Hose, Afmkt, Vacuum, 0.16id, 08ft	1
	37	1074156	(006501- ) Wire, 10ga, 15.0l, Grn, M8 Ring/M8 Ring	1
	38	41140	(006501- ) Washer, Lock, Int- Ext, 0.25	3
	39	46236	(006501- ) Clamp, Cable, Stl, 0.25d X 0.56w, 1hole	1
	40	1211682	(006501- ) Seal, Hopper, Box, Lower	1
	41	15675	(006501- ) Screw, Hex, M8 X 1.25 X 16, Ss	14
	42	01685	(006501- ) Washer, Flat, 0.38b 0.88d .08, Ss	14
	43	1233504	(008826- ) Door Wldt, Cleanout [S30]	1
	44	1236153	(008826- ) Seal, Cleanout Door	1
	45	384418	(008826- ) Latch, Door [Southco 91- 562- 07]	1
	46	1037355	(008826- ) Screw, Hex, M8 X 1.25 X 35, 9.8, Sems	2
	47	32491	(008826- ) Washer, Flat, 0.31, Std	2
	48	24265	(008826- ) Screw, Pan, Phl, M4 X 0.70 X 16, Ss	2

**Fig. 41 - Hopper Vacuum Fan Group**

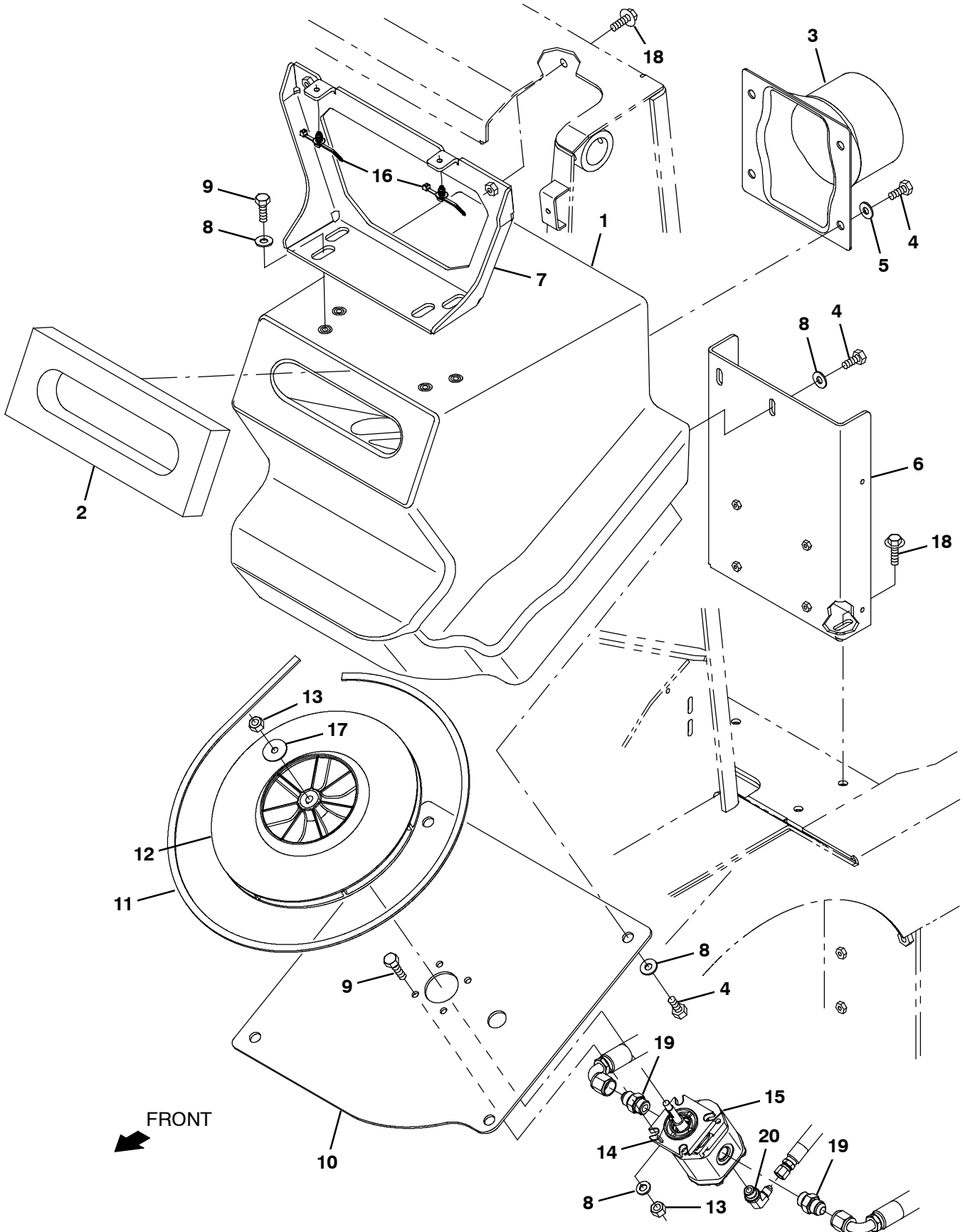


Fig. 41 - Hopper Vacuum Fan Group

Ref.	Part No.	Serial Number	Description	Qty.
1	1211570	(006501-	) Housing, Fan, Rm- Cphg	1
2	1212709	(006501-	) Gasket, Vacuum	1
3	1031122	(006501-	) Duct, Outlet, Vacuum	1
4	16931	(006501-	) Screw, Hex, M8 X 1.25 X 20, 8.8	8
5	1017218	(006501-	) Washer, Flat, 0.32b 1.00d .12, Ss	4
6	1215033	(006501-	) Bracket Wldt, Mtg, Fan	1
7	1212592	(006501-	) Bracket Wldt, Mtg, Fan	1
8	32491	(006501-	) Washer, Flat, 0.31, Std	12
9	39277	(006501-	) Screw, Hex, M8 X 1.25 X 25, 8.8	8
10	1211691	(006501-	) Plate, Fan, [Phoenix]	1
11	1046426	(006501-	) Seal, Afmkt, Rbr, Clsd, Adh, 08ft	1
12	1039127	(006501-	) Impeller Assy, Vacfan [Coyote]	1
13	08709	(006501-	) Nut, Hex, Lock, M8 X 1.25, NI	5
14	00960	(006501-	) Key, Sq, 0.12 X 0.12, 0.50l	1
15	1039846	(006501-	) Motor, Hyd, Gear, Ext 0.28 Rh 3000	1
16	1210807	(006501-	) Wire, Tie [W/.25" Fir Tree Clip]	2
17	30013	(006501-	) Washer, Flat, 0.31, Fendr	1
18	1037346	(006501-	) Screw, Hex, M8 X 1.25 X 25, 9.8, Sems	4
19	762445	(006501-	) Fitting, Hyd, Str, Fm08/Om08	2
20	762425	(006501-	) Fitting, Hyd, E90, Fm04/Om06	1

**Fig. 42 - Hopper Filter Shaker Group**

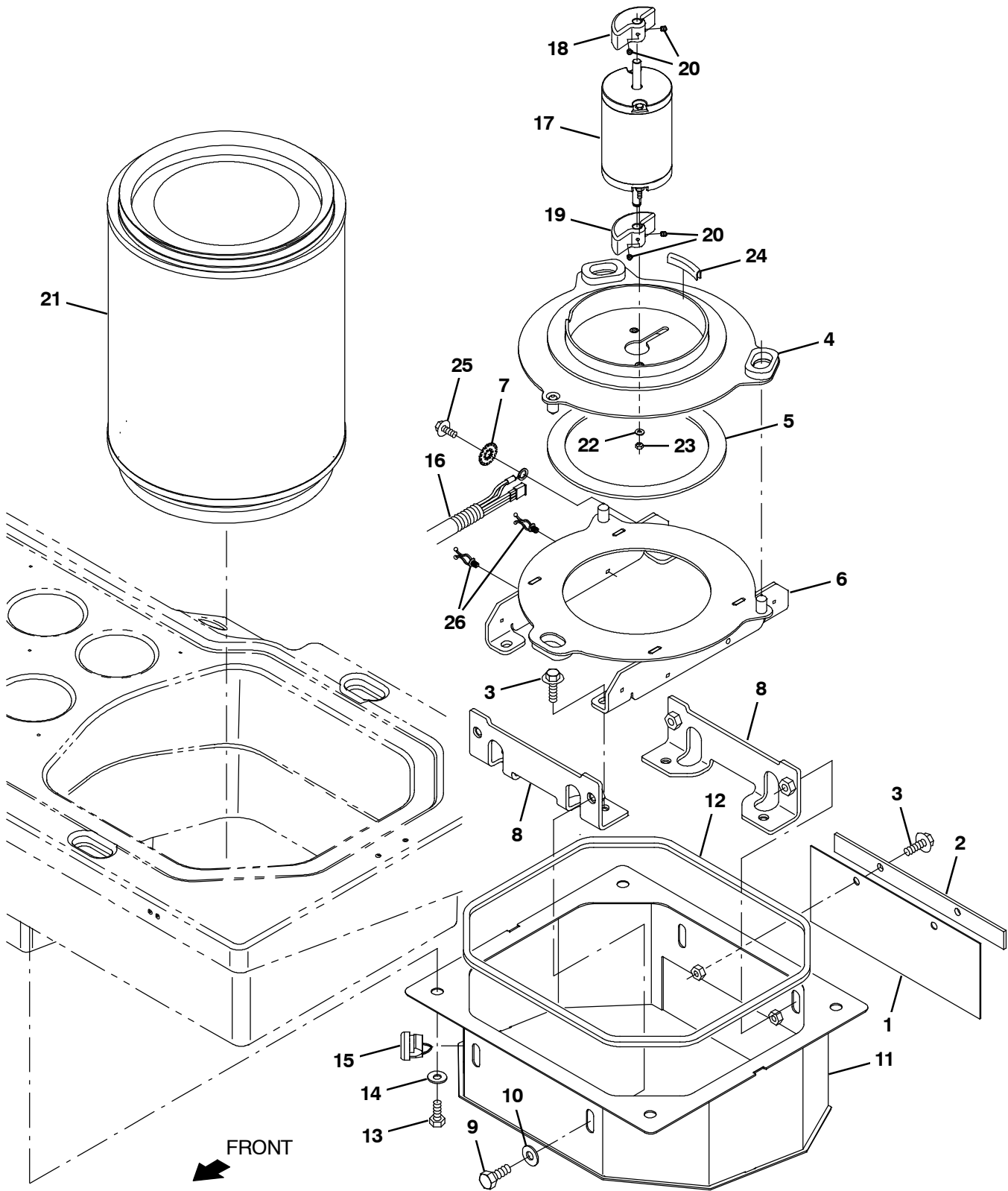


Fig. 42 - Hopper Filter Shaker Group

Ref.	Part No.	Serial Number	Description	Qty.
1	1211378	(006501-	) Seal Assy, Door, Shagr	1
2	1211409	(006501-	) Retainer, Seal, Door	1
3	1037346	(006501-	) Screw, Hex, M8 X 1.25 X 25, 9.8, Sems	6
4	1044352	(006501-	) Bracket Wldt, Fltr	1
5	1044351	(006501-	) Spacer, Fltr	1
6	1211379	(006501-	) Bracket Wldt, Shagr, Filter	1
7	41140	(006501-	) Washer, Lock, Int- Ext, 0.25	1
8	1211382	(006501-	) Angle Wldt, Mtg, Shagr	2
9	06961	(006501-	) Screw, Hex, M10 X 1.5	4
10	32492	(006501-	) Washer, Flat, 0.38, Std	4
11	1211353	(006501-	) Tray Wldt, Debris, Filter	1
12	1211685	(006501-	) Seal, Tray, Debris, Shaker	1
13	15675	(006501-	) Screw, Hex, M8 X 1.25 X 16, Ss	4
14	01685	(006501-	) Washer, Flat, 0.38b 0.88d .08, Ss	4
15	1051199	(006501-	) Strainrelief	1
16	1047717	(006501-	) Harness, Shagr, Motor [S20]	1
17	1075327	(006501-	) Motor, Ele, 12vdc 2108rpm 0.09hp 07.0a	1
18	1053291	(006501-	) Weight, Eccentric, Pntd	1
19	1053321	(006501-	) Weight, Eccentric, Pntd	1
20	39322	(006501-	) Screw, Set, Soc, 10- 24 X 0.38, Al	4
21	1045900	(006501-	) Filter, Cyl, 11.09d, 13.31l, 6.724 ld	1
22	19066	(006501-	) Washer, Flat, 0.25b 0.56d .05, Pl, 10	2
23	86618	(006501-	) Nut, Hex, Lock, #10- 32, NI	2
24	50850	(006501-	) Molding, Trim, Pvc, .08- .11 03.2l	1
25	74455	(006501-	) Screw, Hex, M6 X 1.00 X 12, Fmg	1
26	30406	(006501-	) Clip, Keeper	2

**Fig. 43 - Side Brush Lift Group, S30**

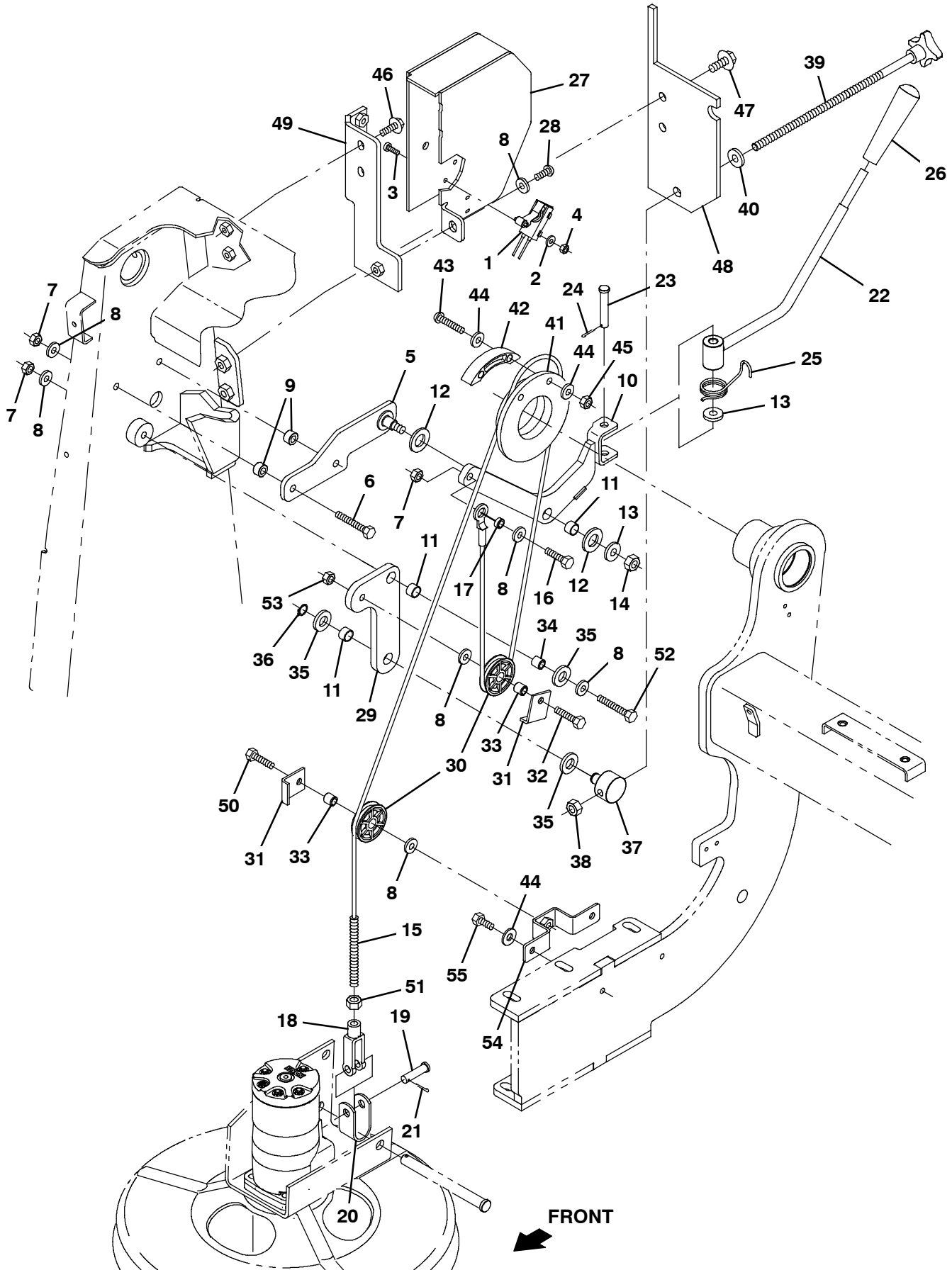


Fig. 43 - Side Brush Lift Group, S30

Ref.	Part No.	Serial Number	Description	Qty.
1	367403	(006501-	) Switch, Snap, 15a Nc, Rlr	1
2	19066	(006501-	) Washer, Flat, 10	2
3	1045487	(006501-	) Screw, Pan, Phl, M5 X 0.80 X 16, Blk	2
4	06549	(006501-	) Nut, Hex, Lock, M5 X 0.80, NI	2
5	1038329	(006501-	) Bracket Wldt, Brush, Side	1
6	41342	(006501-	) Screw, Hex, M8 X 1.25 X 40, 8.8	2
7	08709	(006501-	) Nut, Hex, Lock, M8 X 1.25, NI	4
8	39349	(006501-	) Washer, Flat, 0.31, Sae	11
9	360460	(006501-	) Sleeve, P/M, 0.33b 0.63d 0.4l, Ss / Oil	2
10	1038372	(006501-	) Lever Wldt, Brush, Side	1
11	64173	(006501-	) Bushing, Sleeve, 0.50b 0.59d 0.38l, Stl	3
12	64425	(006501-	) Washer, Thrust, 0.61b 1.25d .06, Fgl	2
13	32485	(006501-	) Washer, Flat, 0.38, Sae	2
14	41430	(006501-	) Nut, Hex, Lock, M10 X 1.5, NI	1
15	1036702	(006501-	) Cable, Glv .13d 063.4l .50eye / M10	1
16	76570	(006501-	) Screw, Hex, M8 X 1.25 X 30, 8.8	1
17	360801	(006501-	) Sleeve, 0.31b 0.50d 0.3l, Ss	1
18	12267	(006501-	) Clevis, Adj, 0.38pin, M10x1.5	1
19	29558	(006501-	) Pin, Clevis, 0.37d X 1.50l	1
20	59899	(006501-	) Bracket, U, .12, 1.2w 2.3 1.0l, 2/0.6h	1
21	08179	(006501-	) Pin, Cotter, .094 X 1.00	1
22	1037265	(006501-	) Arm Wldt, Lever	1
23	51813	(006501-	) Pin, Clevis, 0.37d X 2.12l	1
24	08182	(006501-	) Pin, Cotter, .125 X 1.00	1
25	1037476	(006501-	) Spring, Tors, 1.09id .11wir 03.0coil	1
26	54995	(006501-	) Knob, 1.12d 3.86l M10 X 1.5, Plstc Tpr]	1
27	1038101	(006501-	) Bracket Wldt	1
28	1031665	(006501-	) Screw, Pan, M8 X 1.25 X 25, Blk	3
29	1038060	(006501-	) Plate, Adj, Brush	1
30	369781	(006501-	) Pulley, Cable, 1.5d Nyl	2
31	54400	(006501-	) Bracket, Angle, Keeper, Cable	2
32	59658	(006501-	) Screw, Hex, M8 X 1.25 X 35, NI, Ss	1
33	222460	(006501-	) Sleeve, P/M, 0.31b 0.50d 0.5l [430ss]	1
34	223609	(006501-	) Sleeve, P/M, 0.31b 0.50d 0.5l [430ss]	1
35	32486	(006501-	) Washer, Flat, 0.50, Sae	3
36	86953	(006501-	) Ring, Retaining, Ext, 0.50d, Ss	1
37	1039228	(006501-	) Pivot, Adj, Brush	1
38	41430	(006501-	) Nut, Hex, Lock, M10 X 1.5, NI	1
39	1039553	(006501-	) Knob Assy,Star,1.97d 4ear M10x1.5 10.75l	1
40	763042	(006501-	) Washer, Flat, Belleville, M10	1
41	1034760	(006501-	) Pulley, Cable, 3.1d 2.30b, .19d Cable	1
42	1034763	(006501-	) Retainer, Pulley	1
43	397826	(006501-	) Screw, Btn, M8 X 1.25 X 40, Ss	2
44	01685	(006501-	) Washer, Flat, 0.38b 0.88d .08, Ss	6
45	08713	(006501-	) Nut, Hex, Lock, M8 X 1.25, NI, Ss	2
46	1037354	(006501-	) Screw, Hex, M8 X 1.25 X 30, 9.8, Sems	2
47	1037358	(006501-	) Screw, Hex, M10 X 1.50 X 35, 9.8, Sems	2
48	1060763	(006501-	) Plate, Lift, Brush	1
49	1038896	(006501-	) Plate, Lift, Brush	1
50	76570	(006501-	) Screw, Hex, M8 X 1.25 X 30, 8.8	1
51	32716	(006501-	) Nut, Hex, Jam, M10 X 1.5, Ss	1
52	39278	(006501-	) Screw, Hex, M8 X 1.25 X 50, 8.8	1
53	39311	(006501-	) Nut, Hex, Std, M8 X 1.25	1
54	1210805	(006501-	) Bracket Wldt, Arm	1
55	15675	(006501-	) Screw, Hex, M8 X 1.25 X 16, Ss	1

Fig. 44 - Side Brush Motor and Pivot Group, S30

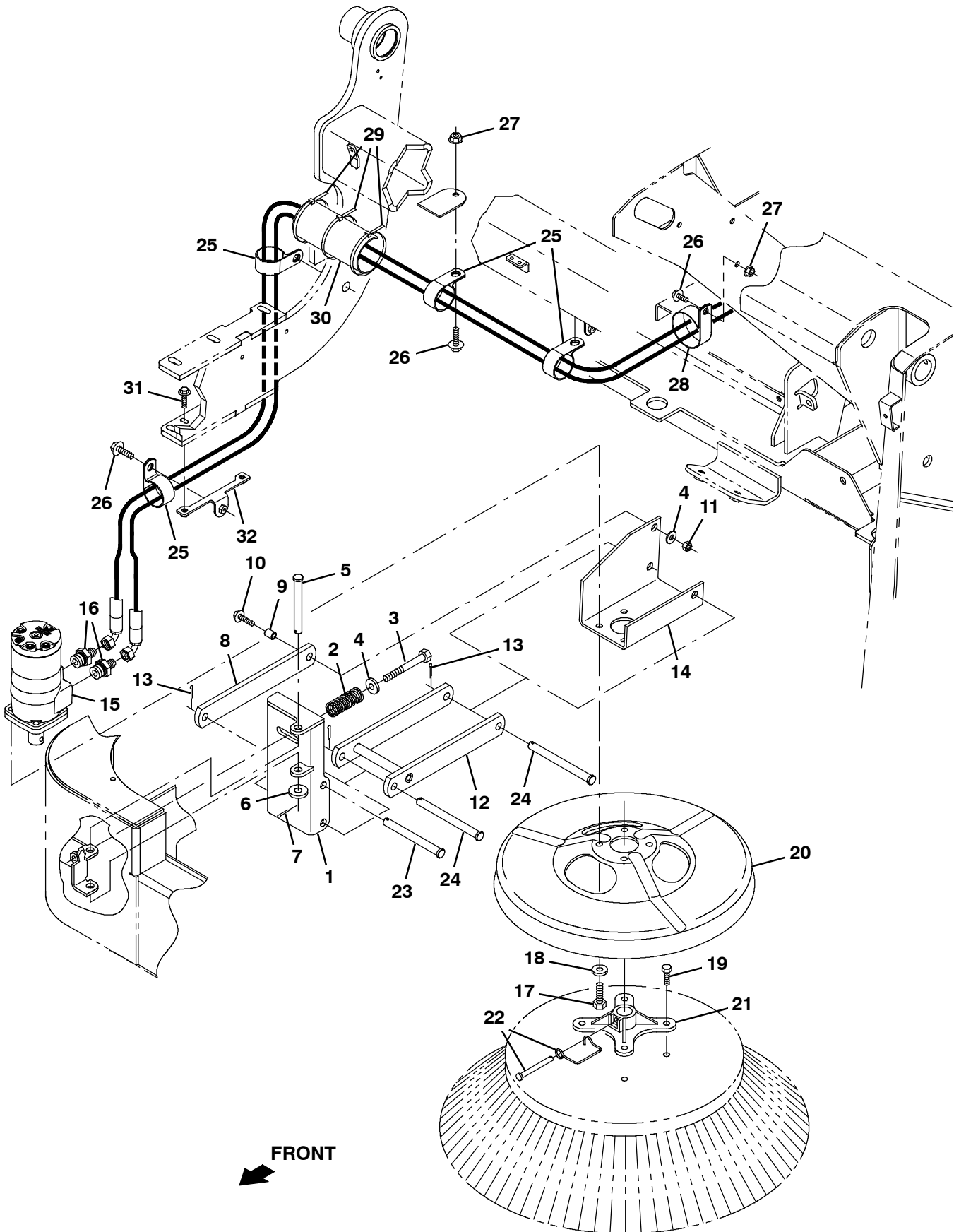


Fig. 44 - Side Brush Motor and Pivot Group, S30

Ref.	Part No.	Serial Number	Description	Qty.
1	1029704	(006501-	) Pivot Wldt, Brush, Side	1
2	45261	(006501-	) Spring, Cmpr, 0.97od .11wir 02.5l	1
3	06965	(006501-	) Screw, Hex, M10 X 1.50 X 80, 8.8	1
4	32485	(006501-	) Washer, Flat, 0.38, Sae	2
5	222196	(006501-	) Pin, Clevis, 0.50d X 4.25l	1
6	32486	(006501-	) Washer, Flat, 0.50, Sae	1
7	08175	(006501-	) Pin, Cotter, .125 X 1.25	1
8	1029709	(006501-	) Arm, Brush, Side	1
9	80395	(006501-	) Sleeve, P/M, 0.31b 0.50d 0.7l [430ss]	1
10	1037355	(006501-	) Screw, Hex, M8 X 1.25 X 35, 9.8, Sems	1
11	08709	(006501-	) Nut, Hex, Lock, M8 X 1.25, NI	1
12	1029682	(006501-	) Arm Wldt, Brush, Side	1
13	08182	(006501-	) Pin, Cotter, .125 X 1.00	3
14	1029674	(006501-	) Bracket, Mtg, Motor, Side Brush	1
15	1057338	(006501-	) Motor, Hyd, Gear, Int 17.9 Bi- Dir 2500	1
16	762439	(006501-	) Fitting, Hyd, Str, Fm06/Om10	2
17	46559	(006501-	) Screw, Hex, .38- 16 X 1.25, NI	4
18	32492	(006501-	) Washer, Flat, 0.38, Std	4
19	39394	(006501-	) Screw, Hex, .31- 09 X 1.25, Wood	4
20	1054256	(006501-	) Guard, Brush	1
21	47501	(006501-	) Hub, Adapter, Brush, 1.00b	1
22	84581	(006501-	) Pin Assy, Side Brush W/ Clip	1
23	51538	(006501-	) Pin, Clevis, 0.50d X 5.00l	1
24	51225	(006501-	) Pin, Clevis, 0.50d X 5.50l	2
25	53468	(006501-	) Clamp, Cable, Stl, 1.75d X 1.00w, 1hole	4
26	1037346	(006501-	) Screw, Hex, M8 X 1.25 X 25, 9.8, Sems	4
27	07791	(006501-	) Nut, Hex, Flng, M8 X 1.25	3
28	70157	(006501-	) Clamp, Cable, Ss, 2.50d X 1.00w, 1hole	2
29	44961	(006501-	) Tie, Cable, Nyl, 14.5l .30w 4.0 Max D	3
30	762179	(006501-	) Guard, Hose, Rbr, 5.0l	1
31	1037345	(006501-	) Screw, Hex, M6 X 1.00 X 30, 9.8, Sems	2
32	1213656	(006501-	) Bracket, Wldt,Mtg,Hyd	1

**Fig. 45 - Side Brush Motor Group, S30 XP**

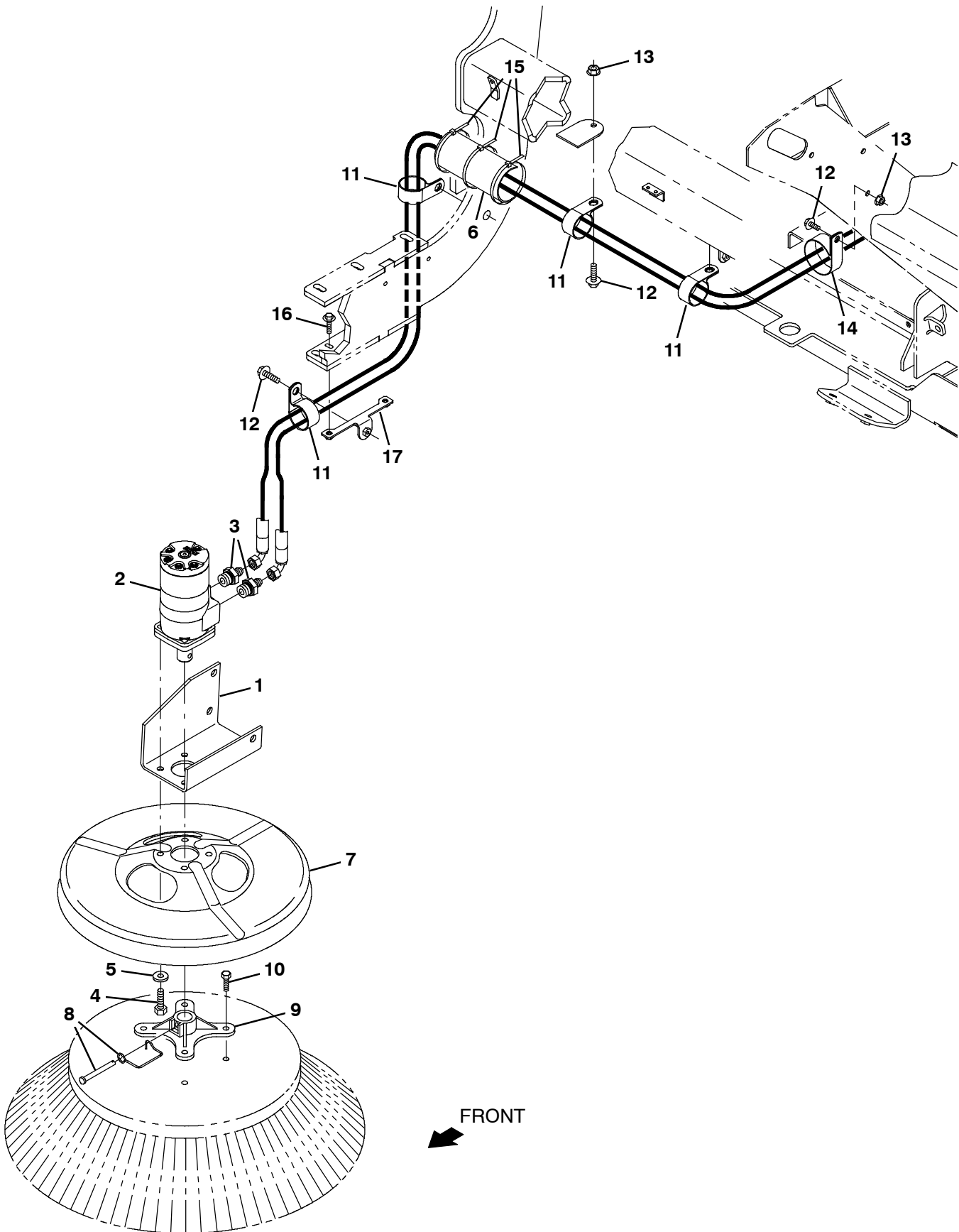


Fig. 45 - Side Brush Motor Group, S30 XP

Ref.	Part No.	Serial Number	Description	Qty.
1	1029674	(006501-	) Bracket, Mtg, Motor, Side Brush	1
2	1057338	(006501-	) Motor, Hyd, Gear, Int 17.9 Bi- Dir 2500	1
3	762439	(006501-	) Fitting, Hyd, Str, Fm06/Om10	2
4	46559	(006501-	) Screw, Hex, .38- 16 X 1.25, NI	4
5	32492	(006501-	) Washer, Flat, 0.38, Std	4
6	762179	(006501-	) Guard, Hose, Rbr, 5.0l	1
7	1054256	(006501-	) Guard, Brush	1
8	84581	(006501-	) Pin Assy, Side Brush W/ Clip	1
9	47501	(006501-	) Hub, Adapter, Brush, 1.00b	1
10	39394	(006501-	) Screw, Hex, .31- 09 X 1.25, Wood	4
11	53468	(006501-	) Clamp, Cable, Stl, 1.75d X 1.00w, 1hole	4
12	1037346	(006501-	) Screw, Hex, M8 X 1.25 X 25, 9.8, Sems	4
13	07791	(006501-	) Nut, Hex, Flng, M8 X 1.25	3
14	70157	(006501-	) Clamp, Cable, Ss, 2.50d X 1.00w, 1hole	2
15	44961	(006501-	) Tie, Cable, Nyl, 14.5l .30w 4.0 Max D	3
16	1037345	(006501-	) Screw, Hex, M6 X 1.00 X 30, 9.8, Sems	2
17	1213656	(006501-	) Bracket, Wldt, Mtg, Hyd	1

# STANDARD PARTS

Fig. 46 - Side Brush Lift and Pivot Group, S30 XP

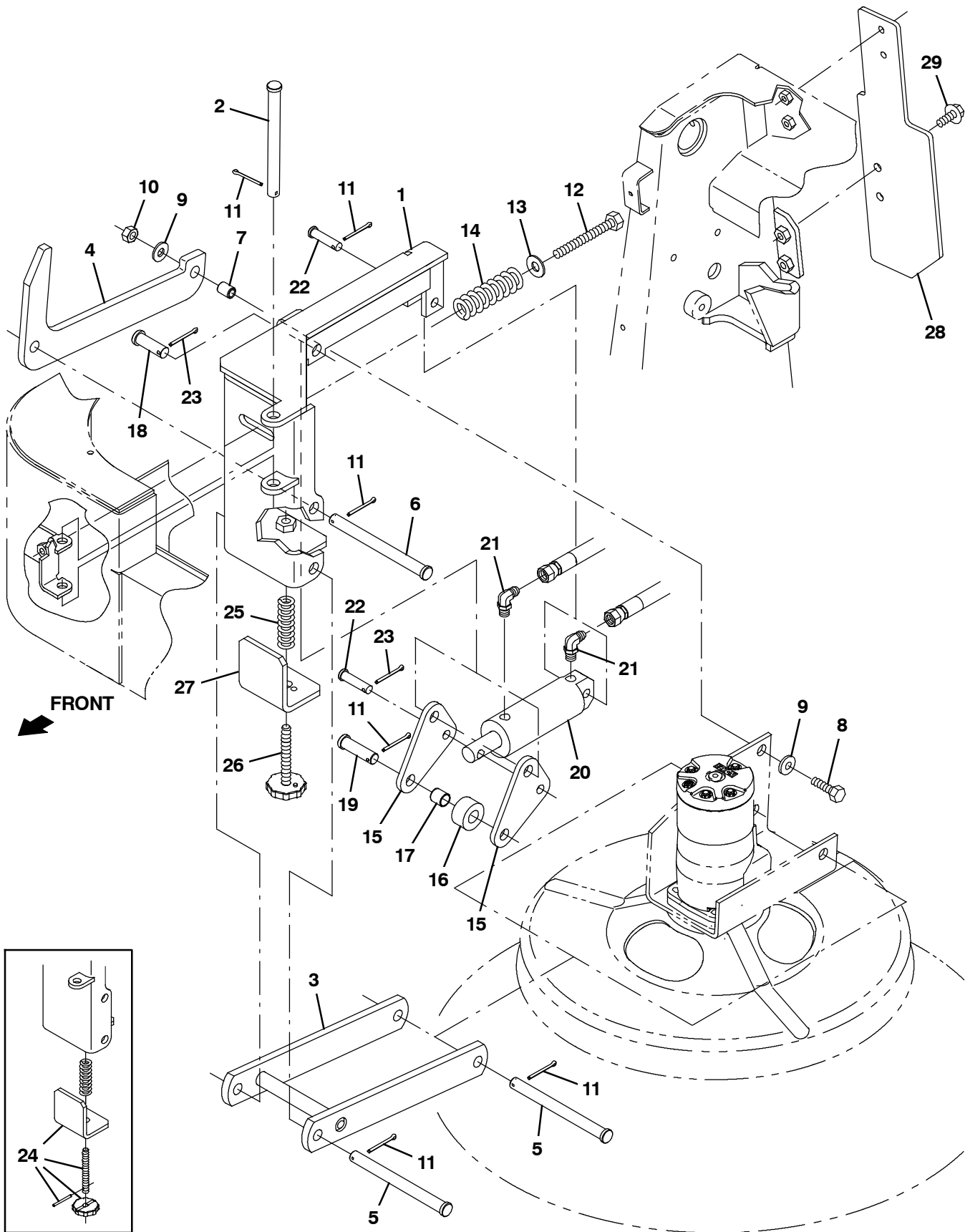


Fig. 46 - Side Brush Lift and Pivot Group, S30 XP

Ref.	Part No.	Serial Number	Description	Qty.
1	1039628	(006501-	) Pivot Wldt, Brush, Side	1
2	222196	(006501-	) Pin, Clevis, 0.50d X 4.25l	1
3	1029682	(006501-	) Arm Wldt, Brush, Side	1
4	1026459	(006501-	) Arm, Linkage, Side Brush	1
5	51225	(006501-	) Pin, Clevis, 0.50d X 5.50l	2
6	51538	(006501-	) Pin, Clevis, 0.50d X 5.00l	1
7	80395	(006501-	) Sleeve, P/M, 0.31b 0.50d 0.7l [430ss]	1
8	76570	(006501-	) Screw, Hex, M8 X 1.25 X 30, 8.8	1
9	32491	(006501-	) Washer, Flat, 0.31, Std	2
10	08709	(006501-	) Nut, Hex, Lock, M8 X 1.25, NI	1
11	08182	(006501-	) Pin, Cotter, .125 X 1.00	6
12	06963	(006501-	) Screw, Hex, M10 X 1.5 X 60, 8.8	1
13	32492	(006501-	) Washer, Flat, 0.38, Std	1
14	45261	(006501-	) Spring, Cmpr, 0.97od .11wir 02.5l	1
15	1026462	(006501-	) Lever, Lift, Brush	2
16	1026525	(006501-	) Tube, 0.59id 1.25od 00.6l, Stl	1
17	59634	(006501-	) Bushing, Sleeve, 0.50b 0.59d 0.62l, Fgl	1
18	51534	(006501-	) Pin, Clevis, 0.50d X 2.00l	1
19	43290	(006501-	) Pin, Clevis, 0.50d X 1.75l	1
20	1041034	(006501-	) Cylinder, Hyd, 1.5b 06.3l 01.50strk 2500	1
21	762427	(006501-	) Fitting, Hyd, E90, Fm04/Om04	2
22	29558	(006501-	) Pin, Clevis, 0.37d X 1.50l	2
23	39005	(006501-	) Pin, Cotter, .094 X 0.75	2
24	9015652	(006501-008330	) Knob Kit, Repair Side Brush	1
25	22290	(006501-	) Spring, Cmpr, 0.72od .06wir 02.3l	1
26	1075444	(008331-	) Knob, Assy, Sb Xp	1
27	1075439	(008331-	) Angle	1
28	1060764	(006501-	) Plate,Lift,Premium	1
29	1037354	(006501-	) Screw, Hex, M8 X 1.25 X 30, 9.8, Sems	4

Fig. 47 - Main Brush Lift Group, S30

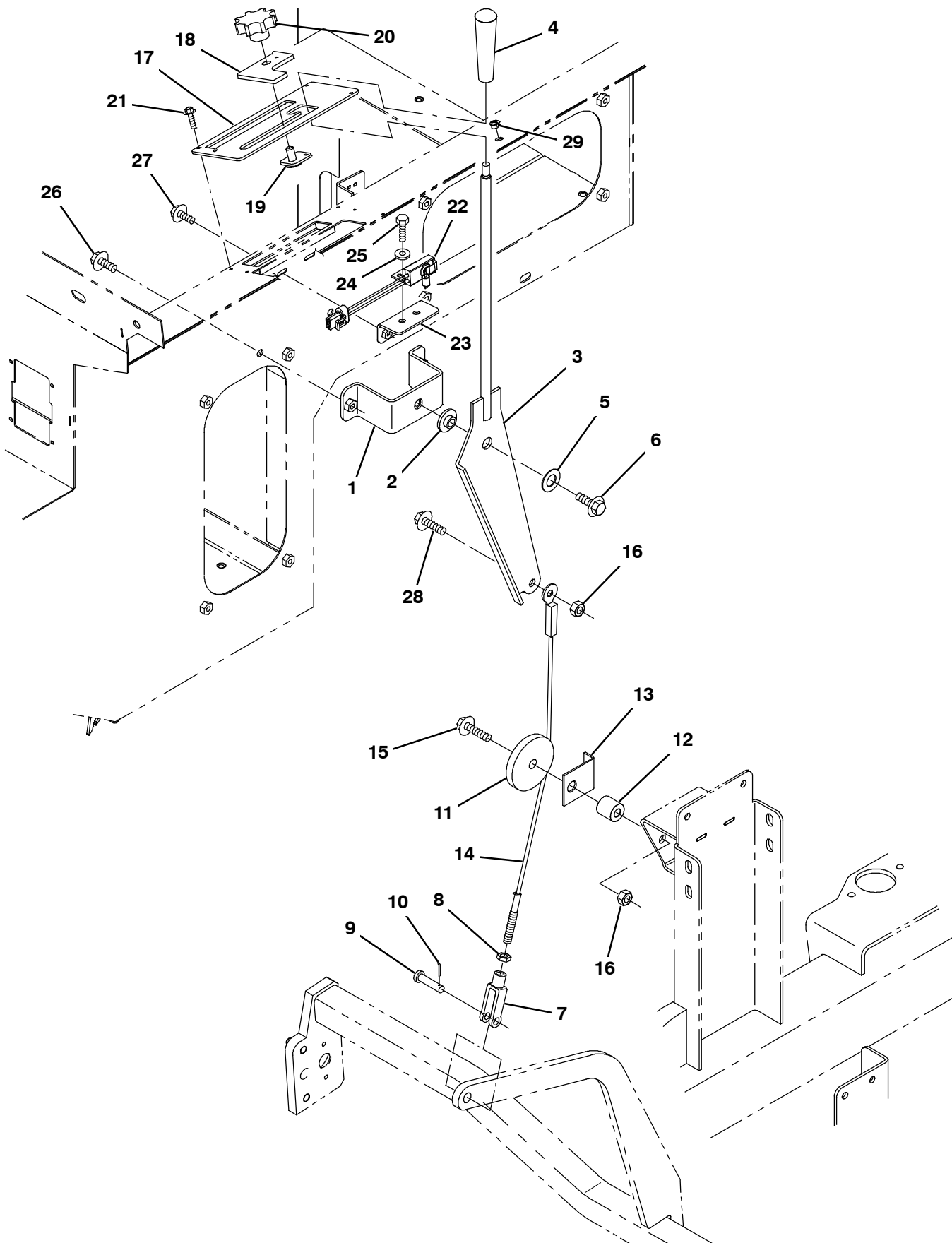


Fig. 47 - Main Brush Lift Group, S30

Ref.	Part No.	Serial Number	Description	Qty.
1	1042785	(006501-	) Bracket, Lift	1
2	363087	(006501-	) Bushing, Flng, 0.44b 1.25d 0.25l	1
3	1041539	(006501-	) Lever Wldt, Lift, Brush, Main	1
4	54995	(006501-	) Knob, 1.12d 3.86l M10 X 1.5, Plstc Tpr]	1
5	07450	(006501-	) Bearing, Thrust, 0.66b 1.25d 0.06w	1
6	1037358	(006501-	) Screw, Hex, M10 X 1.50 X 35, 9.8, Sems	1
7	12267	(006501-	) Clevis, Adj, 0.38pin, M10x1.5	1
8	32716	(006501-	) Nut, Hex, Jam, M10 X 1.5, Ss	1
9	86240	(006501-	) Pin, Clevis, 0.38d X 1.13l	1
10	08179	(006501-	) Pin, Cotter, .094 X 1.00	1
11	379684	(006501-	) Pulley Assy, Cable, 2.8d 0.50b	1
12	222460	(006501-	) Sleeve, P/M, 0.31b 0.50d 0.5l [430ss]	1
13	379686	(006501-	) Angle, Keeper, Cable	1
14	1041123	(006501-	) Cable, Glv .19 24.5l .3 Eye / M10	1
15	1037355	(006501-	) Screw, Hex, M8 X 1.25 X 35, 9.8, Sems	1
16	08709	(006501-	) Nut, Hex, Lock, M8 X 1.25, NI	1
17	1046048	(006501-	) Panel Wldt, Handle, Lift	1
18	1042855	(006501-	) Plate Wldt, Brush, Adj	1
19	1046052	(006501-	) Plate Wldt, Stop [S30]	1
20	383205	(006501-	) Knob, Star, 2.20d 8ear 1.1l M10x1.5, Nyl	1
21	1045964	(006501-	) Screw, Hex, M4 X 0.70 X 10, Fmg, Blk	4
22	1040019	(006501-	) Switch, Limit, 15a, Nc	1
23	1040753	(006501-	) Bracket, Switch	1
24	19066	(006501-	) Washer, Flat, 10	2
25	09244	(006501-	) Screw, Hex, M5 X 0.80 X 16, 8.8	2
26	1037346	(006501-	) Screw, Hex, M8 X 1.25 X 25, 9.8, Sems	2
27	1040467	(006501-	) Screw, Hex, M6 X 1.0 X 20, 9.8, Sems	2
28	1037354	(006501-	) Screw, Hex, M8 X 1.25 X 30, 9.8, Sems	1
29	33807	(006501-	) Plug, Hole, Rnd, 0.44h .03- .12, Blk Nyl	1

**Fig. 48 - Main Brush Lift Group, S30 XP**

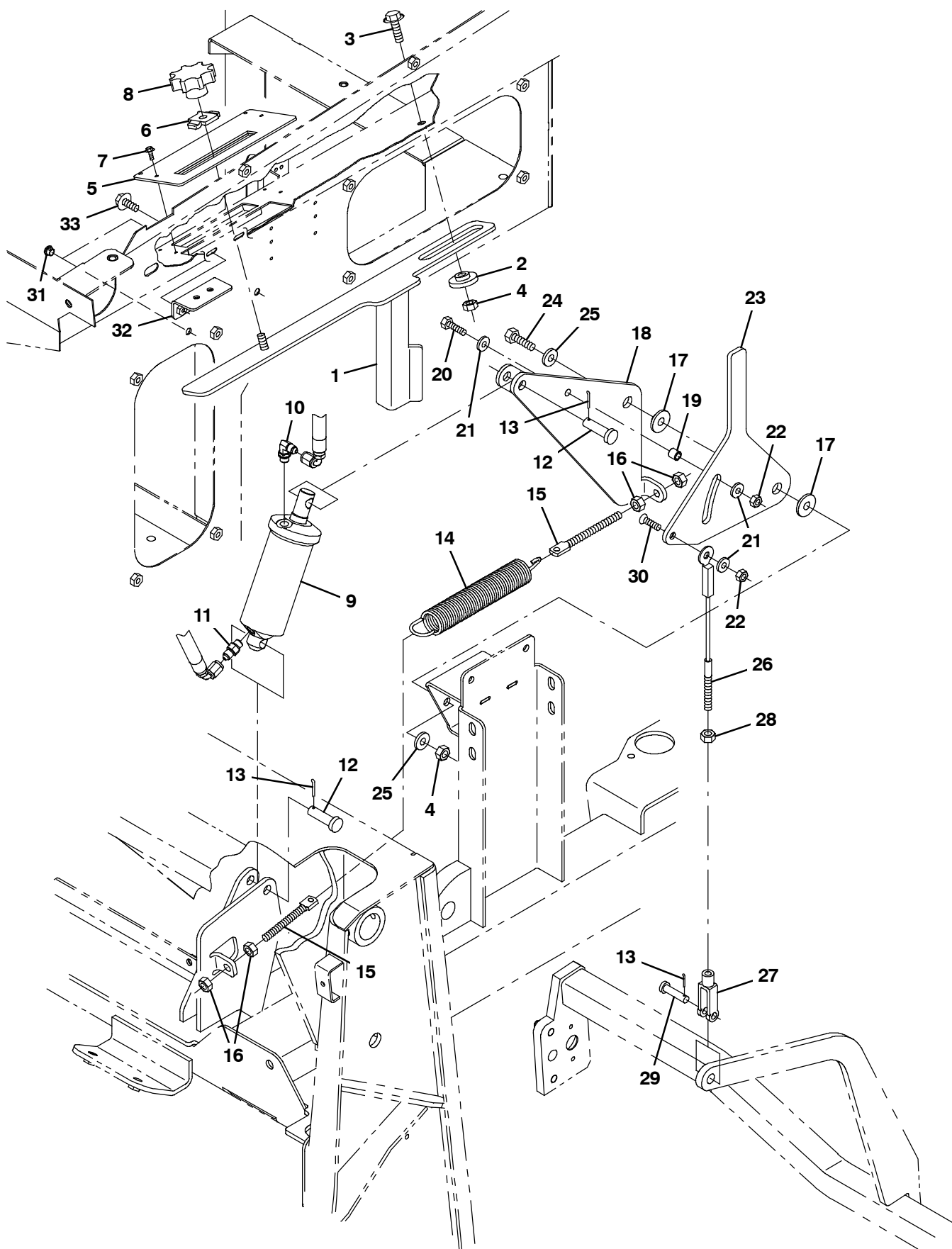


Fig. 48 - Main Brush Lift Group, S30 XP

Ref.	Part No.	Serial Number	Description	Qty.
1	1032432	(006501-	) Plate Wldt, Brush, Adj	1
2	1032429	(006501-	) Retainer, Stop	1
3	1037358	(006501-	) Screw, Hex, M10 X 1.50 X 35, 9.8, Sems	1
4	41430	(006501-	) Nut, Hex, Lock, M10 X 1.5, NI	2
5	1032449	(006501-	) Panel Wldt, Lift	1
6	1005740	(006501-	) Plate, Brush, Adj	1
7	1045964	(006501-	) Screw, Hex, M4 X 0.70 X 10, Fmg, Blk	4
8	383205	(006501-	) Knob, Star, 2.20d 8ear 1.1l M10x1.5, Nyl	1
9	1038176	(006501-	) Cylinder, Hyd, 2.0b 08.0l 04.00strk 2500	1
10	762427	(006501-	) Fitting, Hyd, E90, Fm04/Om04	1
11	762428	(006501-	) Fitting, Hyd, Str, Fm04/Om04	1
12	43290	(006501-	) Pin, Clevis, 0.50d X 1.75l	2
13	08182	(006501-	) Pin, Cotter, .125 X 1.00	3
14	368197	(006501-	) Spring, Extn, 1.39od 0.15wir 09.0l	1
15	1007220	(006501-	) Bolt, Eye, M10 X 1.50 X 117mm, 08.00 Eye	2
16	39312	(006501-	) Nut, Hex, Std, M10 X 1.50	4
17	363087	(006501-	) Bushing, Flng, 0.44b 1.25d 0.25l	2
18	1035400	(006501-	) Bracket Wldt, Mtg, Cyl	1
19	222460	(006501-	) Sleeve, P/M, 0.31b 0.50d 0.5l [430ss]	1
20	06955	(006501-	) Screw, Hex, M8 X 1.25 X 35, 8.8	1
21	32491	(006501-	) Washer, Flat, 0.31, Std	3
22	08709	(006501-	) Nut, Hex, Lock, M8 X 1.25, NI	2
23	1041446	(006501-	) Bracket, Brush, Stop Adj	1
24	06962	(006501-	) Screw, Hex, M10 X 1.50 X 45, 8.8	1
25	32492	(006501-	) Washer, Flat, 0.38, Std	2
26	383194	(006501-	) Cable, Glv .19d 009.88l .38eye / M10	1
27	12267	(006501-	) Clevis, Adj, 0.38pin, M10x1.5	1
28	32716	(006501-	) Nut, Hex, Jam, M10 X 1.5, Ss	1
29	86240	(006501-	) Pin, Clevis, 0.38d X 1.13l	1
30	07810	(006501-	) Screw, Flt, Soc, M8 X 1.25 X 25, 10.9	1
31	01314	(006501-	) Plug, Hole, Rnd, 0.38h .03- .12, Blk Nyl	2
32	1040753	(006501-	) Bracket, Switch	1
33	1040467	(006501-	) Screw, Hex, M6 X 1.00 X 20, 9.8, Sems	2

**Fig. 49 - Main Brush Drive Group**

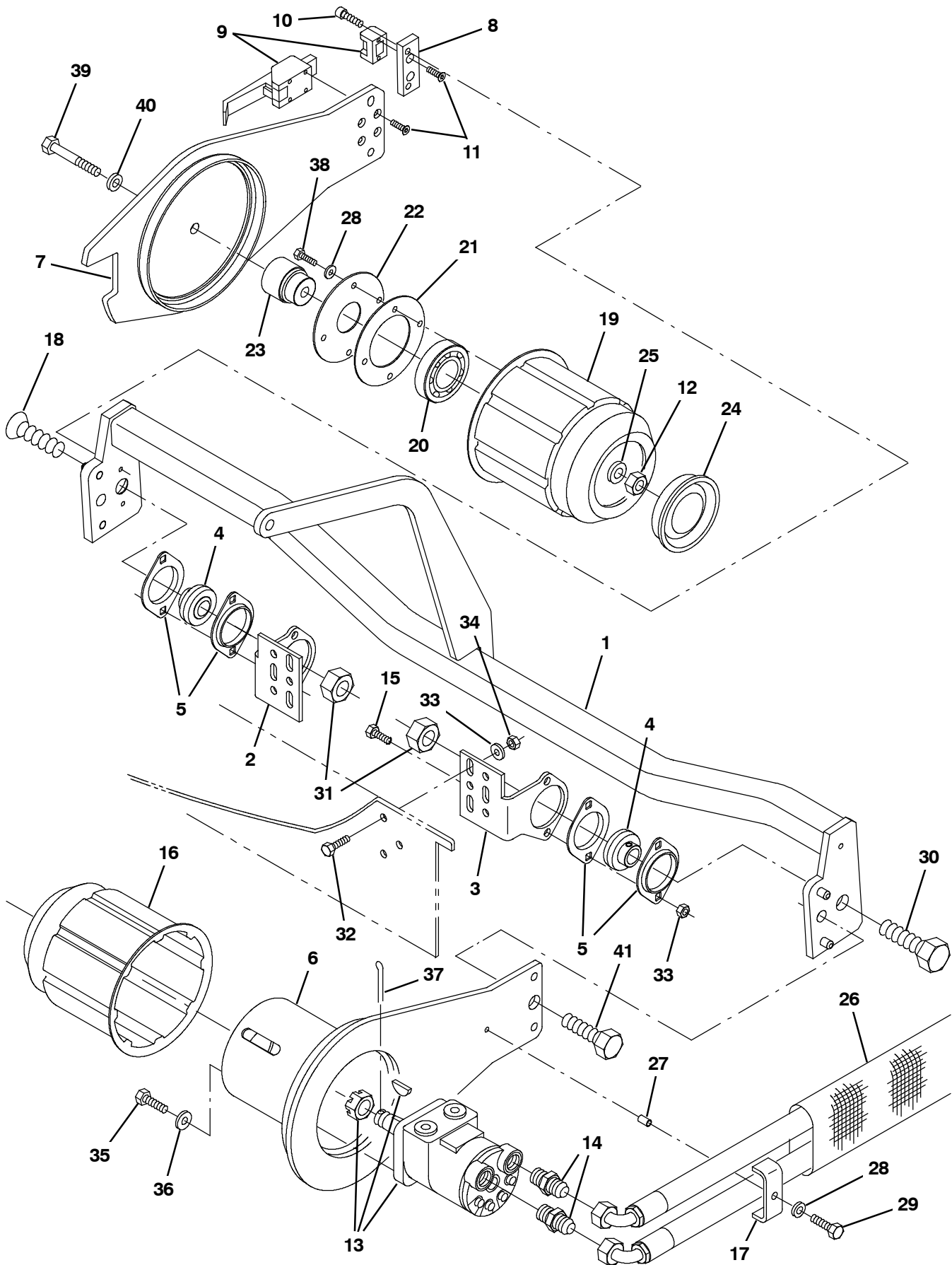
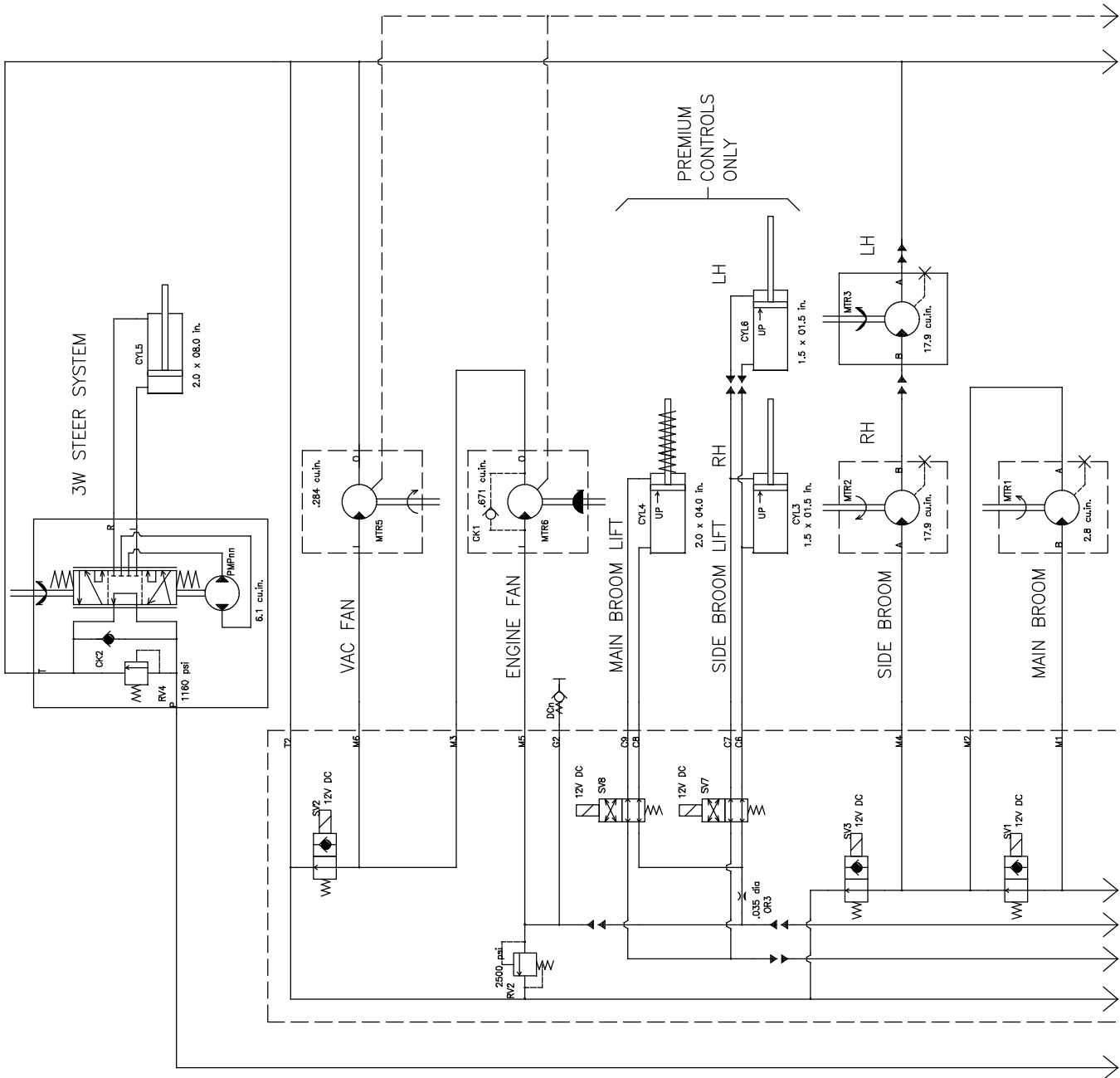


Fig. 49 - Main Brush Drive Group

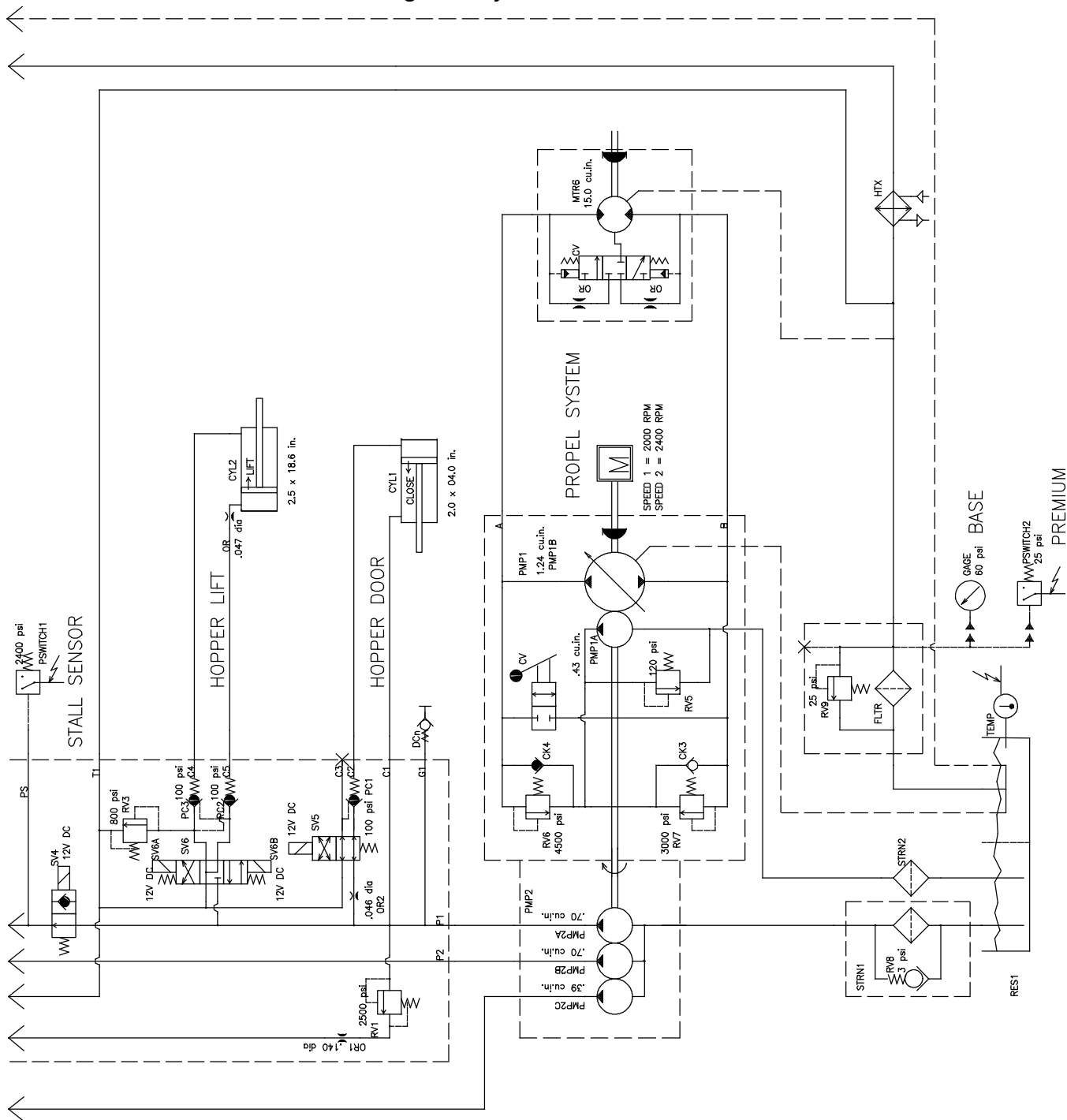
Ref.	Part No.	Serial Number	Description	Qty.	
1	1039501	(006501-	) Tube Wldt	1	
2	383142	(006501-	) Bracket, Mtg, Rh	1	
3	383143	(006501-	) Bracket, Mtg, Lh	1	
4	25887	(006501-	) Bearing, W/ Collar, 0.75b 1.85d 1.06w	2	
5	35973	(006501-	) Flange, Brg, 1.9id 2h	4	
6	383139	(006501-	) Arm Wldt, Brush, Main, Drive, Lh	1	
▽	7	377249	(006501-	) Arm, Brush, Main, W/ Label	1
▲	383203	(006501-	) Label, Info, Brush Arm	1	
8	54204	(006501-	) Plate, Mtg	1	
9	54878	(006501-	) Latch, Cmpr, M5 X 0.8 Blk	1	
10	57824	(006501-	) Screw, Soc, M6 X 1.00 X 20, 12.9, NI	2	
11	09120	(006501-	) Screw, Flt, Soc, M5 X 0.80 X 16, 10.9	6	
12	08711	(006501-	) Nut, Hex, Lock, M12 X 1.75, NI	1	
13	1057337	(006501-	) Motor, Hyd, Gear, Int 02.8 Bi- Dir 2500	1	
14	762445	(006501-	) Fitting, Hyd, Str, Fm08/Om08	2	
15	16931	(006501-	) Screw, Hex, M8 X 1.25 X 20, 8.8	4	
16	1057643	(006501-	) Plug Wldt, Drive, Brush	1	
17	51715	(006501-	) Bracket, U, .19, 2.8w 0.9 1.0l, 1/0.3h	1	
18	1007807	(006501-	) Screw, Flt, Soc, .75- 10 X 2.50, Al	1	
19	55779	(006501-	) Plug Wldt, Idler, Brush	1	
20	24899	(006501-	) Bearing, Ball, 1.38b 2.83d 0.67w	1	
21	30252	(006501-	) Disc, 0.08, 04.39d 02.56b, 4/.28h 3.8bc	1	
22	30253	(006501-	) Disc, 0.06, 04.39d 01.67b, 4/.30h 3.8bc	1	
23	30251	(006501-	) Shaft, Idler, Plug, Brush	1	
24	30255	(006501-	) Cap, Vinyl, 3.28d 0.45l	1	
25	51564	(006501-	) Washer, Flat, 0.53b 1.75d .12, Stl, Pl	1	
26	13773	(006501-	) Sleeve, Nyl, #27 20.0l	1	
27	56228	(006501-	) Tube, Plstc, 0.25id 0.31od 00.5l, Blk	1	
28	01684	(006501-	) Washer, Flat, 0.27b 0.69d .05, Ss	1	
29	07805	(006501-	) Screw, Hex, M6 X 1.00 X 35, Ss	1	
30	39395	(006501-	) Screw, Hex, .75- 10 X 2.50, Fl	1	
31	32987	(006501-	) Nut, Hex, Lock, .75- 10, NI	2	
32	09010	(006501-	) Screw, Hex, M8 X 1.25 X 25, Ss	6	
33	08709	(006501-	) Nut, Hex, Lock, M8 X 1.25, NI	10	
34	41186	(006501-	) Washer, Flat, Belleville, .31	3	
35	01762	(006501-	) Screw, Hex, .38- 16 X 0.75, NI	4	
36	32485	(006501-	) Washer, Flat, 0.38, Sae	4	
37	08175	(006501-	) Pin, Cotter, .125 X 1.25	1	
38	12277	(006501-	) Screw, Hex, M6 X 1.00 X 20, NI, Ss	4	
39	06975	(006501-	) Screw, Hex, M12 X 1.75 X 90, 8.8	1	
40	36328	(006501-	) Washer, Flat, Belleville, .50	1	
41	06977	(006501-	) Screw, Hex, M16 X 2.00 X 20, 8.8	1	

Fig. 50 - Hydraulic Schematic



1027521- 354734

Fig. 50 - Hydraulic Schematic



1027521- 354734

Fig. 51 - Hydraulic Hose Group, S30

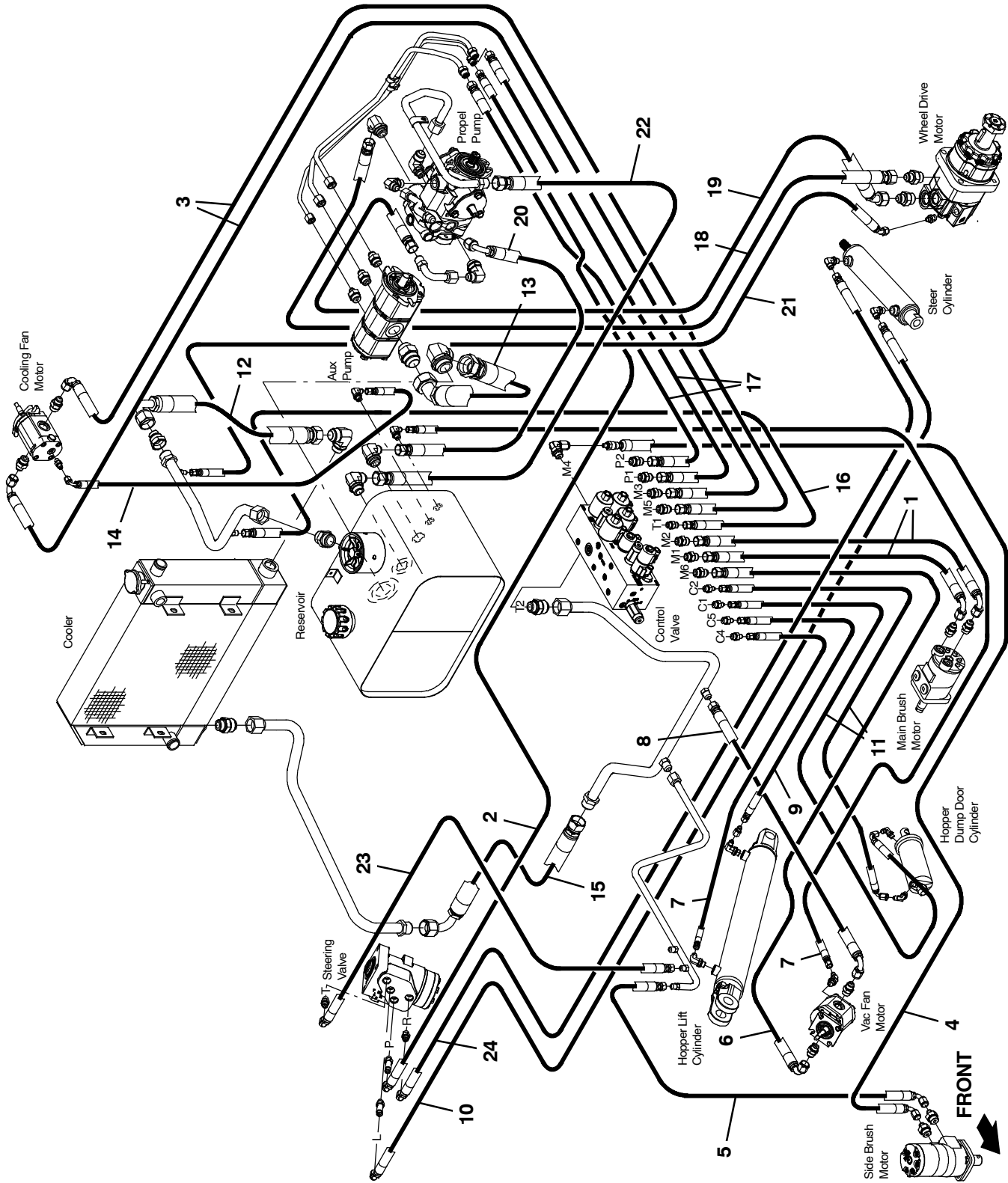


Fig. 51 - Hydraulic Hose Group, S30

Ref.	Part No.	Serial Number	Description	Qty.
1	1067109	(006501-	) Hose, Hyd, Tc08, Ff08e90/Ff08str, 042.0	2
2	1067102	(006501-	) Hose, Hyd, Tc06, Ff06e90/Ff06str, 080.0	1
3	1067110	(006501-	) Hose, Hyd, Tc08, Ff08e90/Ff08str, 052.0	2
4	1072649	(006501-	) Hose, Hyd, Tc06, Ff06e90/Qm06str, 134.0	1
5	1067661	(006501-	) Hose, Hyd, Tc06, Ff06e90/Ff06str, 102.0	1
6	767441	(006501-	) Hose, Hyd, Tc08, Ff08e90/Ff08str, 046.0	1
7	1067094	(006501-	) Hose, Hyd, Tc04, Ff04str/Ff04str, 052.0	2
8	767315	(006501-	) Hose, Hyd, Tc08, Ff08e90/Ff08str, 030.0	1
9	1067089	(006501-	) Hose, Hyd, Tc04, Ff04str/Ff04str, 018.0	1
10	1067099	(006501-	) Hose, Hyd, Tc06, Ff06e90/Ff06str, 054.0	1
11	1067087	(006501-	) Hose, Hyd, Tc04, Ff04e90/Ff04str, 092.0	2
12	1072633	(006501-	) Hose, Hyd, Tc12, Ff12e90/Ff12str, 014.0	1
13	1067300	(006501-	) Hose, Hyd, Suc20, Ff20e45/Ff20str, 022.5	1
14	1067086	(006501-	) Hose, Hyd, Tc04, Ff04e90/Ff04str, 042.0	1
15	1067115	(006501-	) Hose, Hyd, Tc16, Ff16e90/Ff16str, 016.0	1
16	1067106	(006501-	) Hose, Hyd, Tc06, Ff06str/Ff06str, 048.0	1
17	1072531	(006501-	) Hose, Hyd, Tc08, Ff08str/Ff08str, 041.0	2
18	1065452	(006501-	) Hose, Hyd, Spcl, Ff10str/Ff10str, 046.0	1
19	1065453	(006501-	) Hose, Hyd, Spcl, Ff10e45/Ff10str, 056.0	1
20	1067113	(006501-	) Hose, Hyd, Tc10, Ff10e90/Ff10str, 027.0	1
21	1067084	(006501-	) Hose, Hyd, Tc04, Ff04e45/Ff04str, 078.0	1
22	1067299	(006501-	) Hose, Hyd, Suc12, Ff12str/Ff12str, 025.0	1
23	1074041	(006501-	) Hose, Hyd, Tc06, Ff06e90/Ff06str, 032.0	1
24	1067101	(006501-	) Hose, Hyd, Tc06, Ff06e90/Ff06str, 062.0	1

Fig. 52 - Hydraulic Hose Group, S30 XP

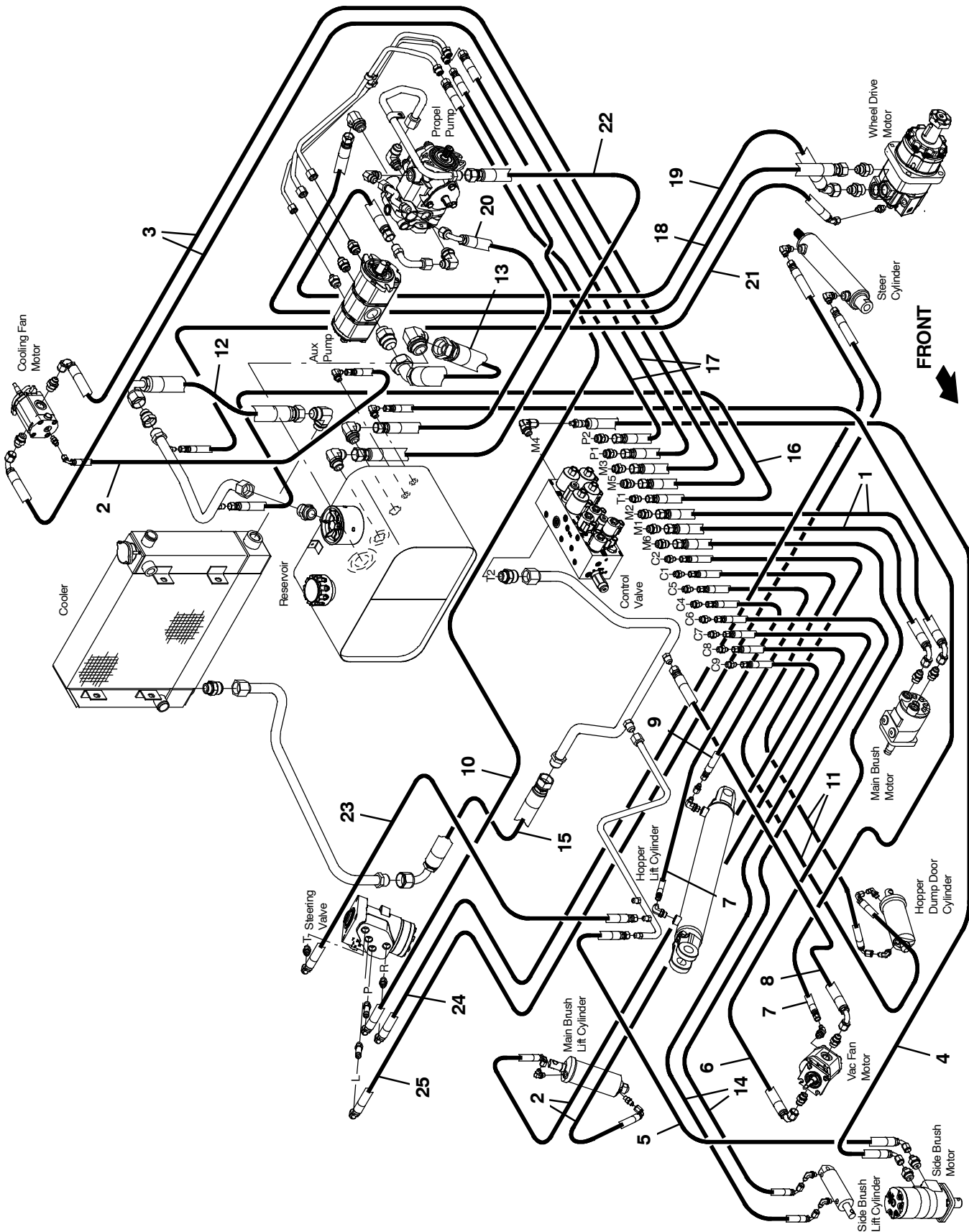


Fig. 52 - Hydraulic Hose Group, S30 XP

Ref.	Part No.	Serial Number	Description	Qty.
1	1067109	(006501-	) Hose, Hyd, Tc08, Ff08e90/Ff08str, 042.0	2
2	1067086	(006501-	) Hose, Hyd, Tc04, Ff04e90/Ff04str, 042.0	3
3	1067110	(006501-	) Hose, Hyd, Tc08, Ff08e90/Ff08str, 052.0	2
4	1072649	(006501-	) Hose, Hyd, Tc06, Ff06e90/Qm06str, 134.0	1
5	1067661	(006501-	) Hose, Hyd, Tc06, Ff06e90/Ff06str, 102.0	1
6	767441	(006501-	) Hose, Hyd, Tc08, Ff08e90/Ff08str, 046.0	1
7	1067094	(006501-	) Hose, Hyd, Tc04, Ff04str/Ff04str, 052.0	2
8	767315	(006501-	) Hose, Hyd, Tc08, Ff08e90/Ff08str, 030.0	1
9	1067089	(006501-	) Hose, Hyd, Tc04, Ff04str/Ff04str, 018.0	1
10	1067102	(006501-	) Hose, Hyd, Tc06, Ff06e90/Ff06str, 080.0	1
11	1067087	(006501-	) Hose, Hyd, Tc04, Ff04e90/Ff04str, 092.0	2
12	1072633	(006501-	) Hose, Hyd, Tc12, Ff12e90/Ff12str, 014.0	1
14	1067088	(006501-	) Hose, Hyd, Tc04, Ff04e90/Ff04str, 126.0	2
13	1067300	(006501-	) Hose, Hyd, Suc20, Ff20e45/Ff20str, 022.5	1
15	1067115	(006501-	) Hose, Hyd, Tc16, Ff16e90/Ff16str, 016.0	1
16	1067106	(006501-	) Hose, Hyd, Tc06, Ff06str/Ff06str, 048.0	1
17	1072531	(006501-	) Hose, Hyd, Tc08, Ff08str/Ff08str, 041.0	2
18	1065452	(006501-	) Hose, Hyd, Spcl, Ff10str/Ff10str, 046.0	1
19	1065453	(006501-	) Hose, Hyd, Spcl, Ff10e45/Ff10str, 056.0	1
20	1067113	(006501-	) Hose, Hyd, Tc10, Ff10e90/Ff10str, 027.0	1
21	1067084	(006501-	) Hose, Hyd, Tc04, Ff04e45/Ff04str, 078.0	1
22	1067299	(006501-	) Hose, Hyd, Suc12, Ff12str/Ff12str, 025.0	1
23	1074041	(006501-	) Hose, Hyd, Tc06, Ff06e90/Ff06str, 032.0	1
24	1067101	(006501-	) Hose, Hyd, Tc06, Ff06e90/Ff06str, 062.0	1
25	1067099	(006501-	) Hose, Hyd, Tc06, Ff06e90/Ff06str, 054.0	1

**Fig. 53 - Hydraulic Reservoir Group**

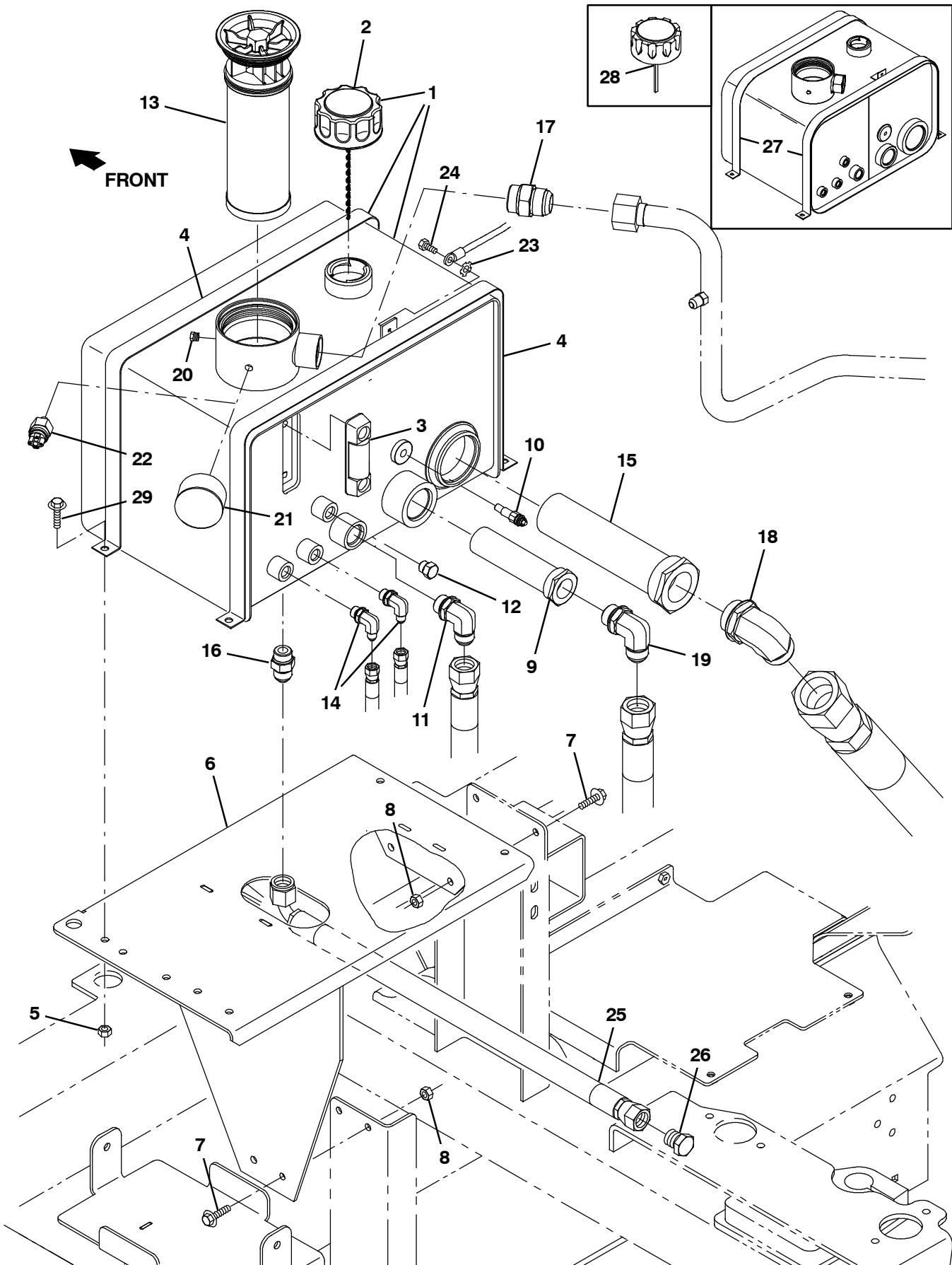


Fig. 53 - Hydraulic Reservoir Group

Ref.	Part No.	Serial Number	Description	Qty.
▽	1	9004518	(006501- ) Reservoir, Hyd, W/ Label, Replmt	1
▲	2	1018289	(007685- ) Cap, Breather, Hyd, W Chain	1
▲	3	65215	(007685- ) Gauge, Sensing, Level	1
▲	4	1074668	(007685- ) Strap, Tank, Hyd	2
	5	08709	(006501- ) Nut, Hex, Lock, M8 X 1.25, NI	4
	6	1045125	(006501- ) Bracket Wldt, Reservoir, Hyd	1
	7	1037346	(006501- ) Screw, Hex, M8 X 1.25 X 25, 9.8, Sems	4
	8	07791	(006501- ) Nut, Hex, Flng, M8 X 1.25	4
	9	361023	(006501- ) Strainer, Hyd, 010gpm 100mesh	1
	10	58592	(006501- ) Send- Unit, Water, Temp,04npt[113oh/195d]	1
	11	762469	(006501- ) Fitting, Hyd, E90, Fm10/Om12	1
	12	46482	(006501- ) Fitting, Hyd, Plug, Om06	1
	13	1021579	(006501- ) Filter Assy, Hyd, 10mic	1
	14	762425	(006501- ) Fitting, Hyd, E90, Fm04/Om06	2
	15	31613	(006501- ) Strainer, Hyd, 025gpm 100mesh 03psi	1
	16	762463	(006501- ) Fitting, Hyd, Str, Fm10/Om10	1
	17	762481	(006501- ) Fitting, Hyd, Str, Fm16/Om16	1
	18	762484	(006501- ) Fitting, Hyd, E90, Fm20/Om20	1
	19	762492	(006501- ) Fitting, Hyd, E90, Fm12/Om12	1
	20	63511	(006501- ) Fitting, Hyd, Plug, Pm02	1
	21	1025132	(006501- ) Indicator, Press, 60psi (S30 only)	1
	22	1025133	(006501- ) Switch, Press, Hyd, 18- 24psi, Spst, No (S30XP only)	1
	23	32982	(006501- ) Washer, Lock, Int, 0.25	1
	24	222158	(006501- ) Screw, Hex, M6 X 1.00 X 10, Fmg	1
	25	1067773	(006501- ) Hose, Hyd, Tc10, Ff10e90/Ff10str, 42.0	1
	26	762156	(006501- ) Fitting, Hyd, Plug, Fm10	1
	27	1032915	(006501-007684 ) Strap, Tank, Hyd	2
	28	25122	(006501-007684 ) Cap, Breather, Hyd, 2.4 Dipstick	1
	29	1037354	(006501- ) Screw, Hex, M8 X 1.25 X 30, 9.8, Sems	2

**Fig. 54 - Hydraulic Cooler and Tubes Group**

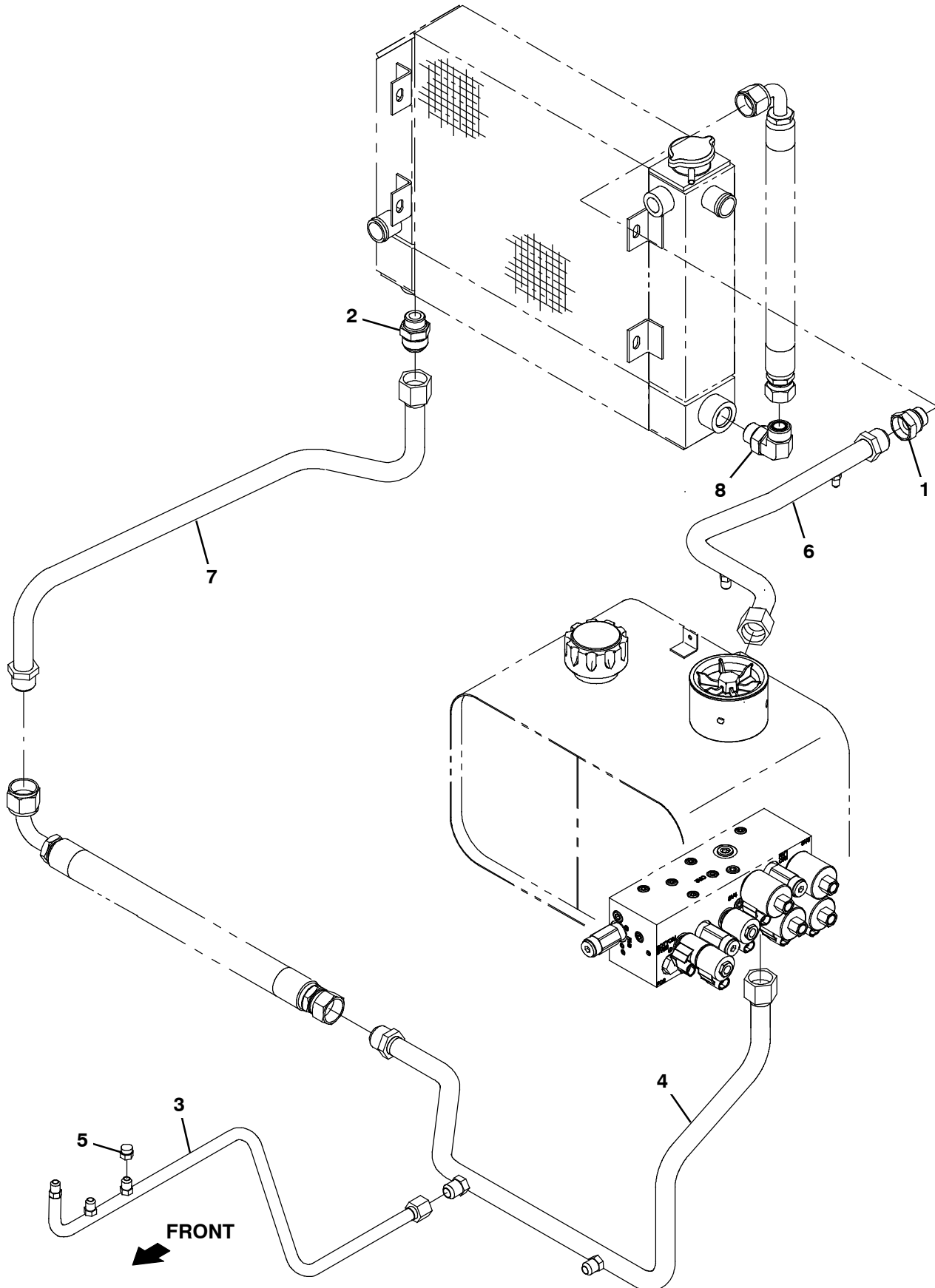


Fig. 54 - Hydraulic Cooler and Tubes Group

Ref.	Part No.	Serial Number	Description	Qty.
1	1072632	(006501-	) Fitting, Hyd, Str, Ff16/Fm12	1
2	1068299	(006501-	) Fitting, Hyd, Str, Fm16/Om12	1
3	1067177	(006501-	) Tube, Hyd, Steering Drain	1
4	1067187	(006501-	) Tube Assy, Hyd, Valve Tank [Coyote]	1
5	40625	(006501-	) Fitting, Hyd, Cap, Jf06	1
6	1067185	(006501-	) Tube Assy, Hyd, Fltr	1
7	1067186	(006501-	) Tube Assy, Hyd, Cooler [Coyote]	1
8	762492	(006501-	) Fitting, Hyd, E90, Fm12/Om12	1

**Fig. 55 - Hydraulic Pumps Group, S30 and XP**

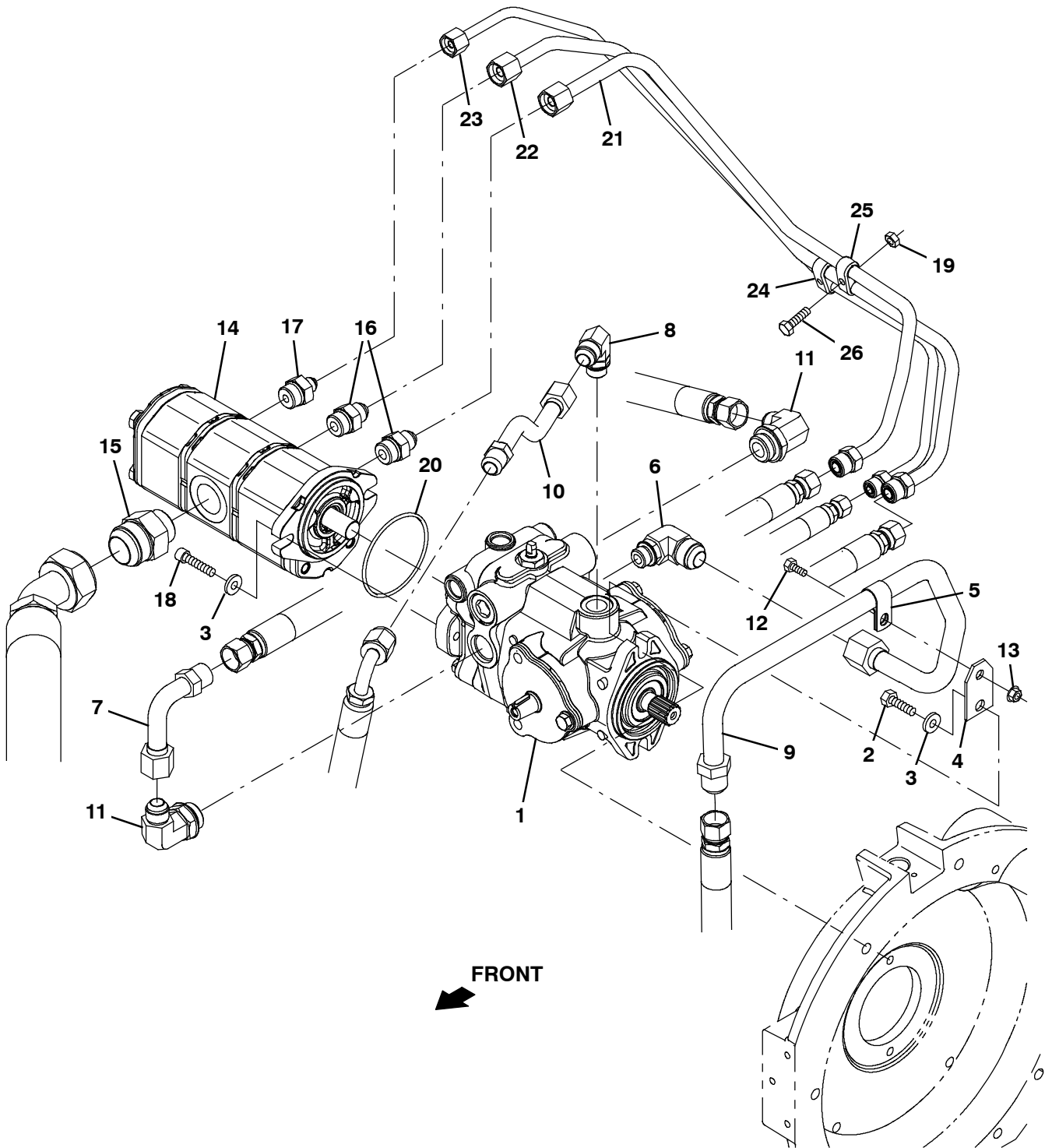


Fig. 55 - Hydraulic Pumps Group, S30 and XP

Ref.	Part No.	Serial Number	Description	Qty.	
1	1054905	(006501-	) Pump, Hyd, Piston, Var, 1.24 4500, Cw (See Breakdowns)	1	
2	21198	(006501-	) Screw, Hex, .38- 16 X 1.25, G5	2	
3	32485	(006501-	) Washer, Flat, 0.38, Sae	4	
4	1039309	(006501-	) Bracket, Sppt, Hyd Tube	1	
5	07471	(006501-	) Clamp, Cable, Stl, 0.75d X 0.75w, 1hole	1	
6	1067053	(006501-	) Fitting, Hyd, E90, Fm12/Om08	1	
7	1065781	(006501-	) Tube, Hyd, Pump, Rear Drive, Ff10/Fm10	1	
8	762466	(006501-	) Fitting, Hyd, E90, Fm10/Om08	1	
9	1067181	(006501-	) Tube, Hyd [Pump Charge]	1	
10	1067182	(006501-	) Tube, Hyd, Pump, Drain	1	
11	762469	(006501-	) Fitting, Hyd, E90, Fm10/Om12	2	
12	16735	(006501-	) Screw, Hex, M8 X 1.25 X 16, 8.8	1	
13	07791	(006501-	) Nut, Hex, Flng, M8 X 1.25	1	
▽	14	1030374	(006501-	) Pump, Hyd, Gear, Ext, 3, 00.70 2500, Cw	1
▲		373708	(006501-	) Pump, Info, Repair	1
▲		373707	(006501-	) Seal Kit	1
15	1007953	(006501-	) Fitting, Hyd, Str, Fm20/Om16	1	
16	762456	(006501-	) Fitting, Hyd, Str, Fm08/Om10	2	
17	762439	(006501-	) Fitting, Hyd, Str, Fm06/Om10	1	
18	10832	(006501-	) Screw, Soc, .38- 16 X 1.50, Al	2	
19	08708	(006501-	) Nut, Hex, Lock, M6 X 1.00, NI	2	
20	65145- 1	(006501-	) Seal, Org, .069 X 03.06id	1	
21	1067180	(006501-	) Tube, Hyd, Gear Pump Rear [Coyote]	1	
22	1071716	(006501-	) Tube, Hyd, Gear Pump Middle[S30 Mit2013]	1	
23	1071717	(006501-	) Tube, Hyd, Gear Pump Front[S30 Mit2013]	1	
24	1043755	(006501-	) Clamp, Tube, 0.37d 0.50d, 2 Hole	1	
25	1043754	(006501-	) Clamp, Tube, 0.50d 0.50d, 2 Hole	1	
26	06944	(006501-	) Screw, Hex, M6 X 1.00 X 25, 8.8	2	

**Fig. 56 - Hydraulic Valve Group, S30**

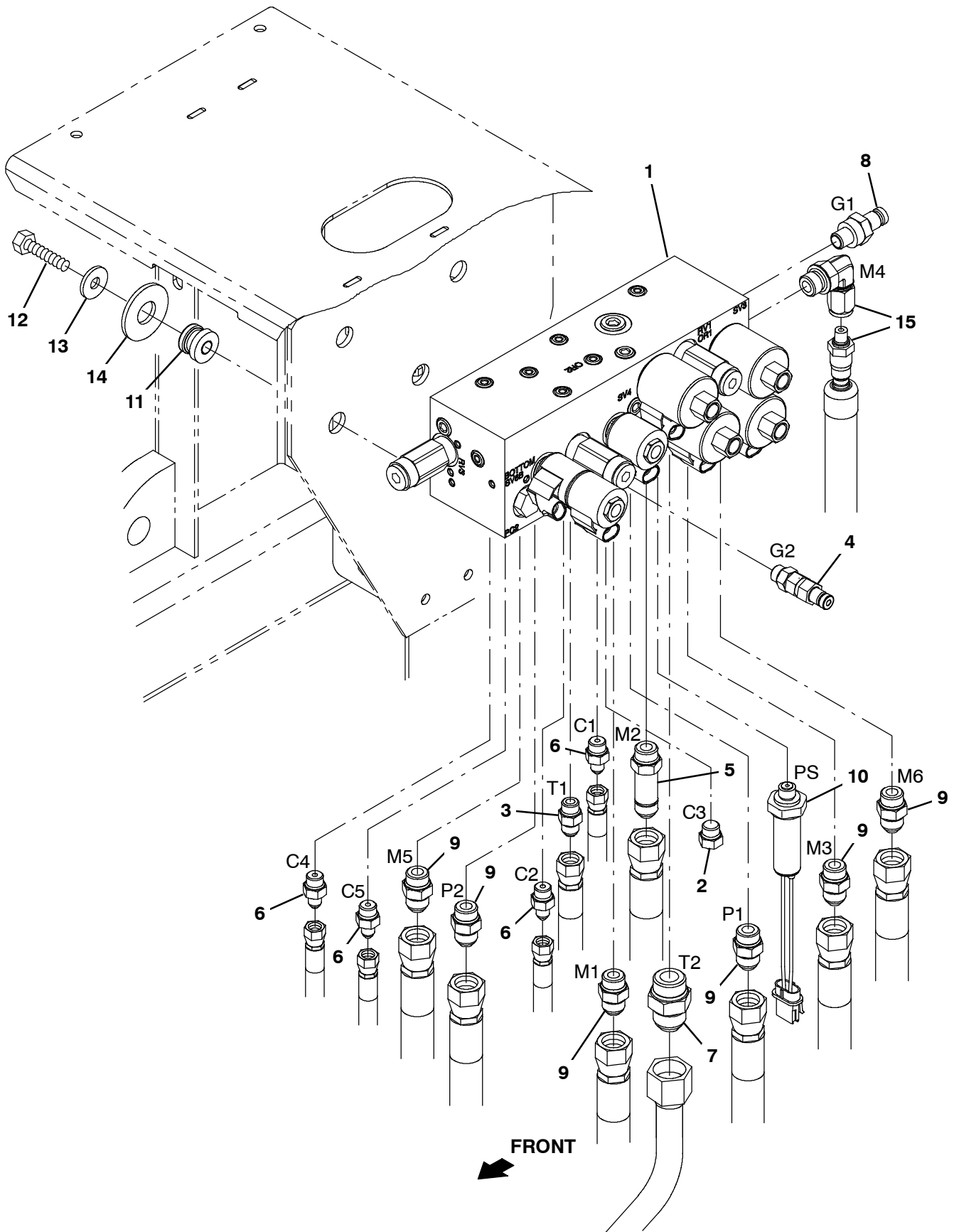


Fig. 56 - Hydraulic Valve Group, S30

Ref.	Part No.	Serial Number	Description	Qty.
1	1040091	(006501-	) Valve, Hyd, Solenoid, 12vdc [06s] (See Breakdowns)	1
2	46482	(006501-	) Fitting, Hyd, Plug, Om06	1
3	762433	(006501-	) Fitting, Hyd, Str, Fm06/Om06	1
4	1043652	(006501-	) Fitting, Hyd, Str, Om06/Qm04	1
5	767430	(006501-	) Fitting, Hyd, Str, Fm08/Om08, Long	1
6	762426	(006501-	) Fitting, Hyd, Str, Fm04/Om06	4
7	1068299	(006501-	) Fitting, Hyd, Str, Fm16/Om12	1
8	395973	(006501-	) Fitting, Hyd, Str, Om04/Qm04	1
9	762445	(006501-	) Fitting, Hyd, Str, Fm08/Om08	6
10	769077	(006501-	) Switch Assy, Press, No 02400psi	1
11	54274	(006501-	) Isolator, Vib, Bshg, 1.1d 0.6l .4b 0.78h	4
12	39285	(006501-	) Screw, Hex, M10 X 1.50 X 40, 8.8	4
13	39350	(006501-	) Washer, Flat, 0.75, Sae	4
14	13248	(006501-	) Washer, Flat, 0.40b 1.12d .12, Stl, Pl	4
15	9011154	(006501-	) Hose Kit, Hyd, Replmt [S30]	1

**Fig. 57 - Hydraulic Valve Group, S30 XP**

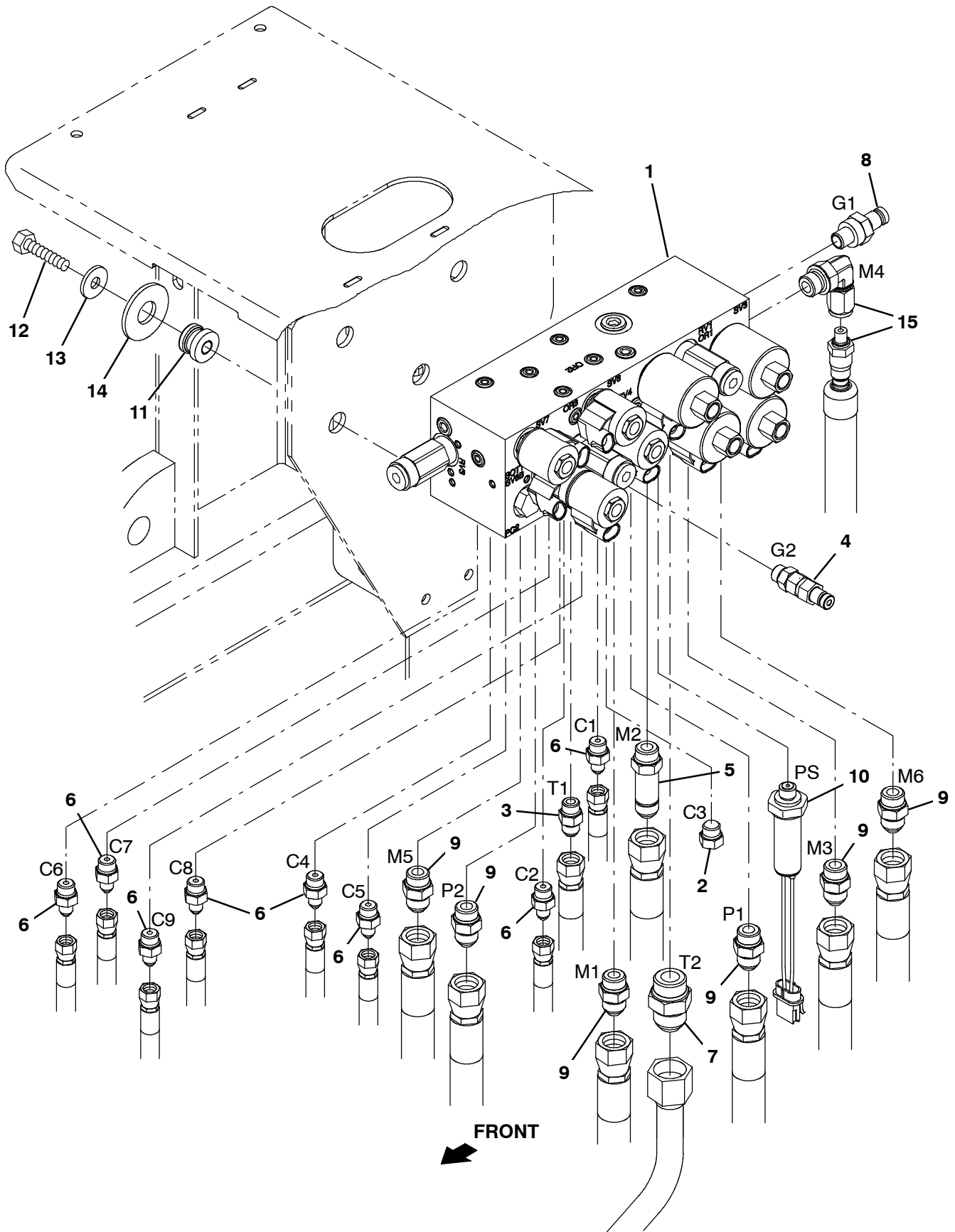


Fig. 57 - Hydraulic Valve Group, S30 XP

Ref.	Part No.	Serial Number	Description	Qty.
1	1034671	(006501-	) Valve, Hyd, Solenoid, 12vdc [08s] (See Breakdowns)	1
2	46482	(006501-	) Fitting, Hyd, Plug, Om06	1
3	762433	(006501-	) Fitting, Hyd, Str, Fm06/Om06	1
4	1043652	(006501-	) Fitting, Hyd, Str, Om06/Qm04	1
5	767430	(006501-	) Fitting, Hyd, Str, Fm08/Om08, Long	1
6	762426	(006501-	) Fitting, Hyd, Str, Fm04/Om06	8
7	1068299	(006501-	) Fitting, Hyd, Str, Fm16/Om12	1
8	395973	(006501-	) Fitting, Hyd, Str, Om04/Qm04	1
9	762445	(006501-	) Fitting, Hyd, Str, Fm08/Om08	6
10	769077	(006501-	) Switch Assy, Press, No 02400psi	1
11	54274	(006501-	) Isolator, Vib, Bshg, 1.1d 0.6l .4b 0.78h	4
12	39285	(006501-	) Screw, Hex, M10 X 1.50 X 40, 8.8	4
13	39350	(006501-	) Washer, Flat, 0.75, Sae	4
14	13248	(006501-	) Washer, Flat, 0.40b 1.12d .12, Stl, Pl	4
15	9011154	(006501-	) Hose Kit, Hyd, Replmt [S30]	1

Fig. 58 - Electrical Schematic, S30

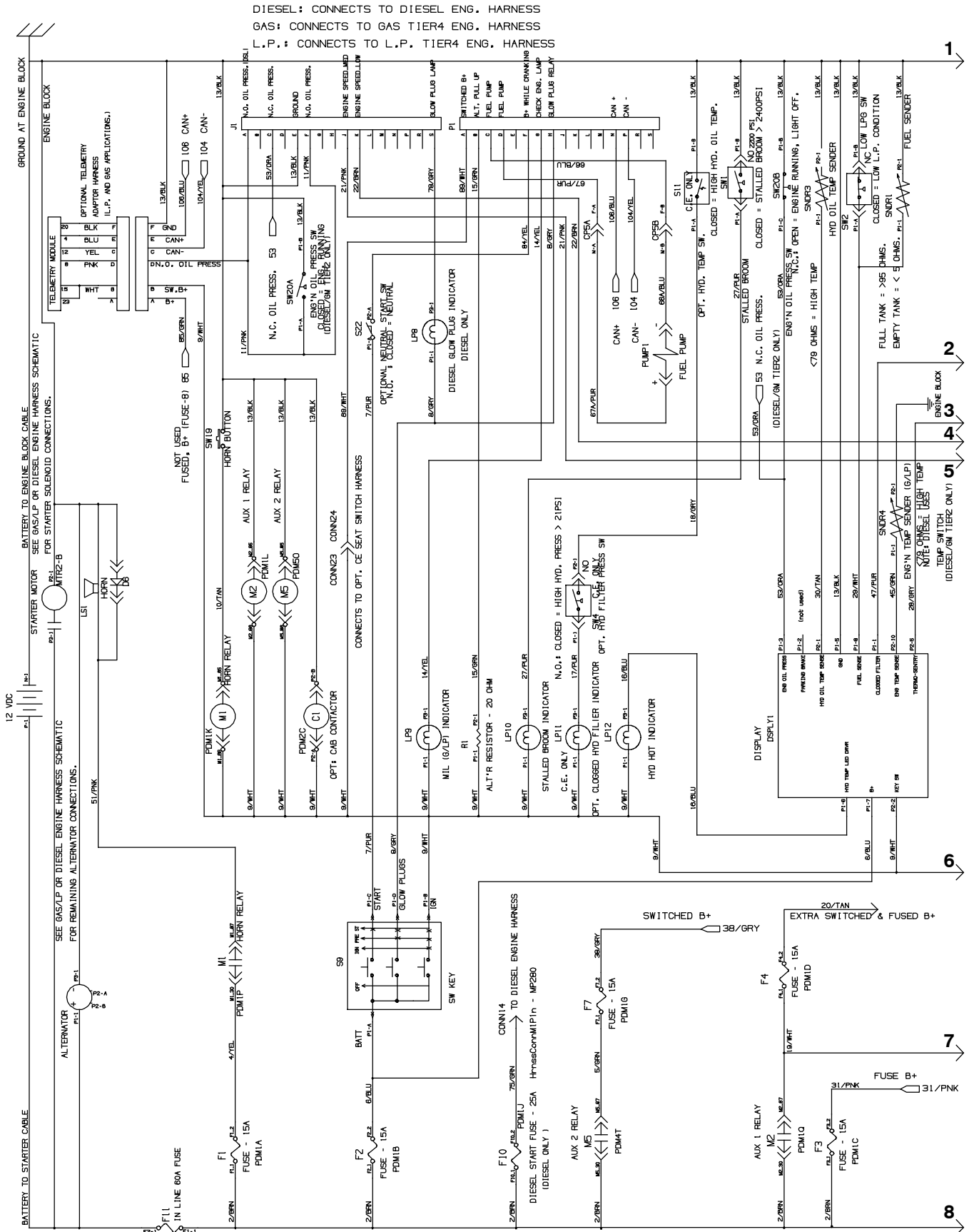
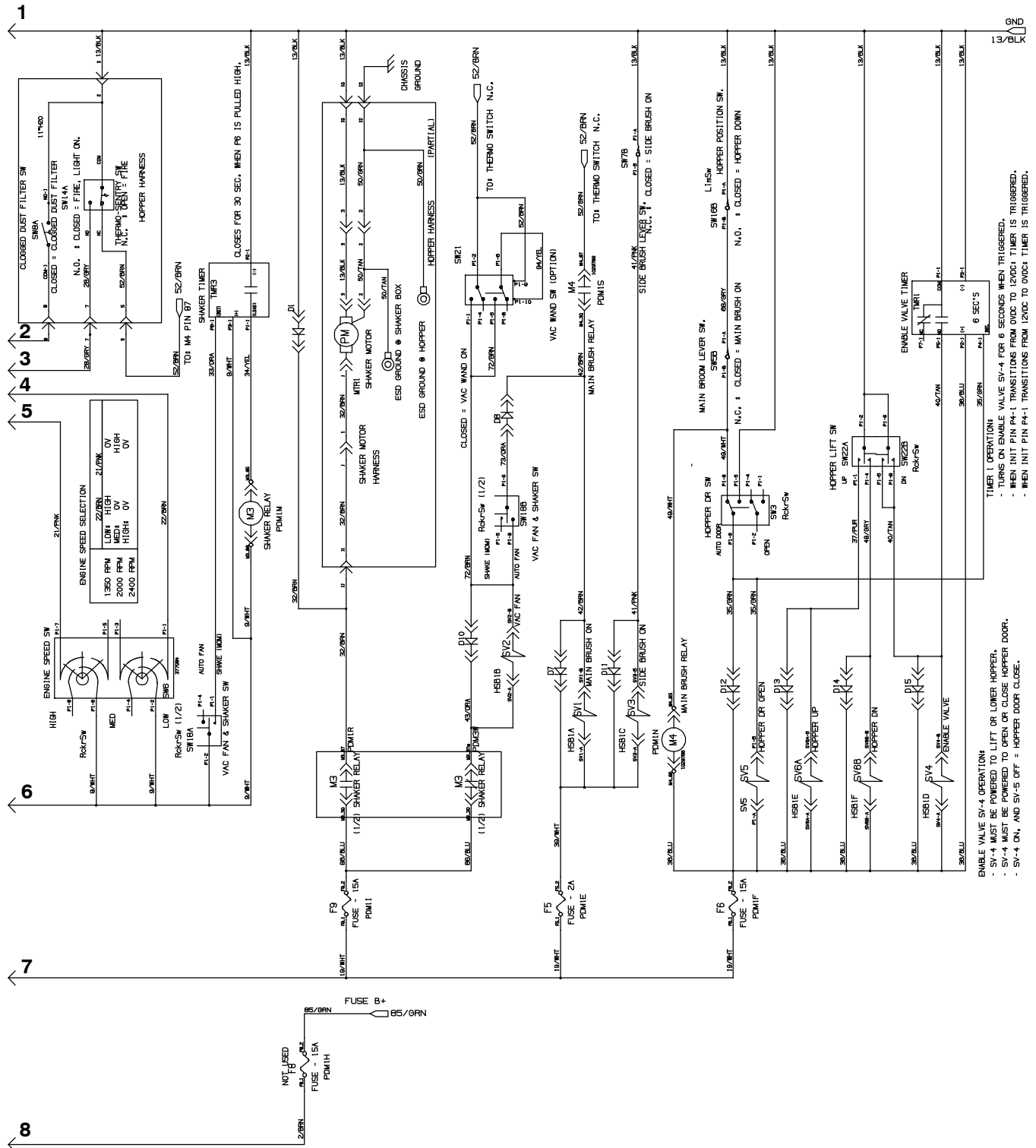


Fig. 58 - Electrical Schematic, S30



## Fig. 58 - Electrical Schematic, S30

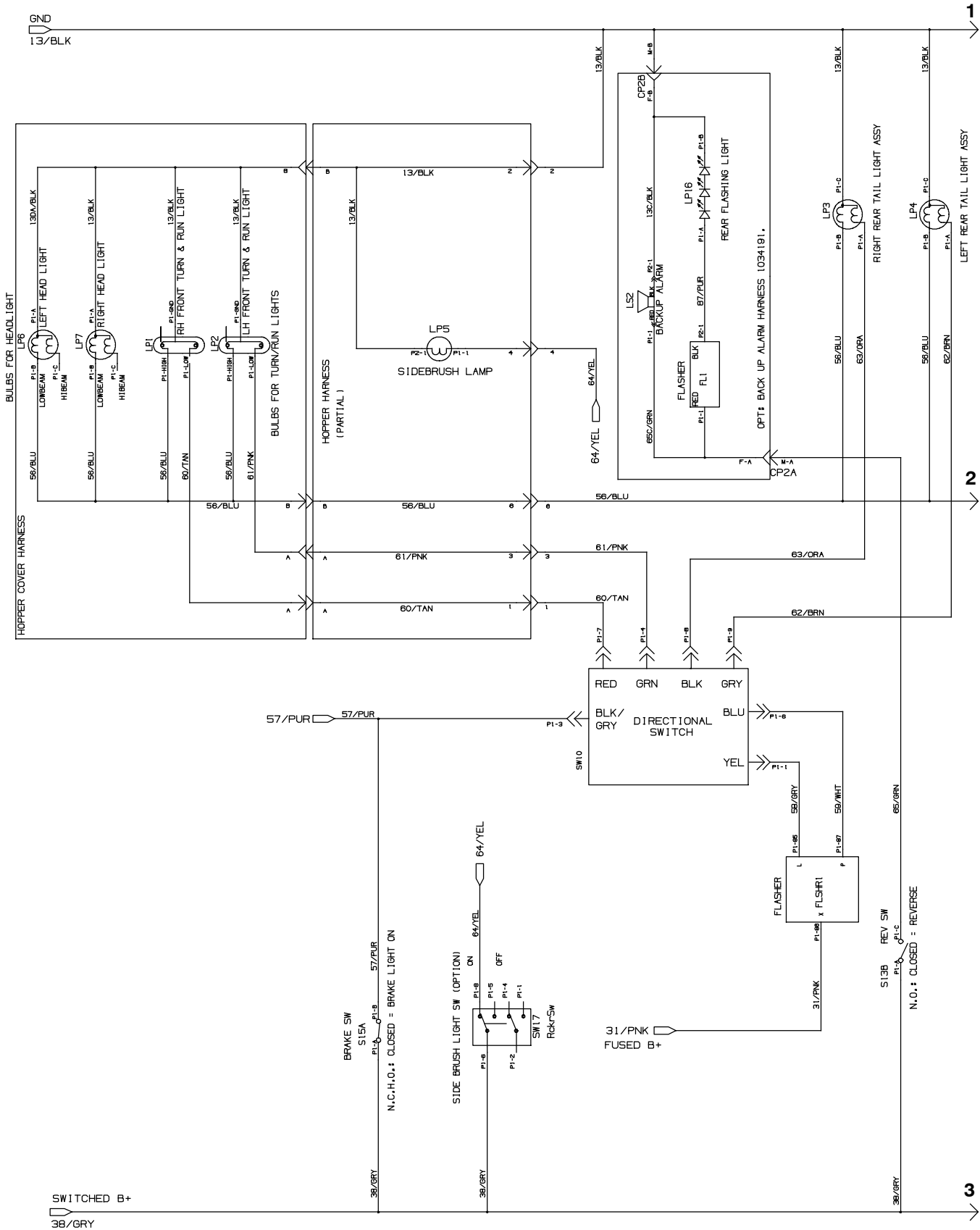


Fig. 58 - Electrical Schematic, S30

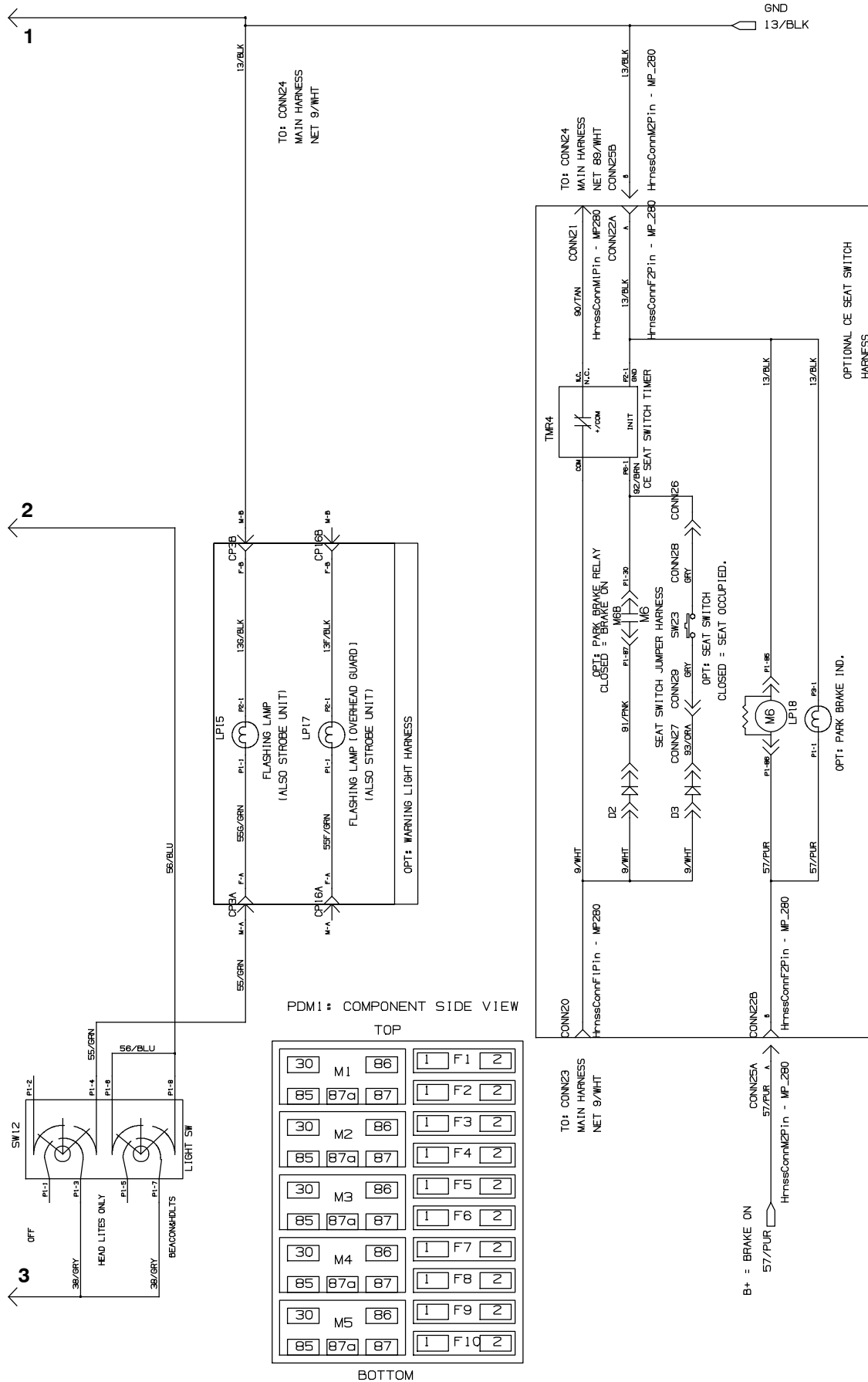


Fig. 59 - Electrical Schematic, S30 XP

DIESEL: CONNECTS TO DIESEL ENG. HARNESS  
 GAS: CONNECTS TO GAS TIER4 ENG. HARNESS  
 L.P.: CONNECTS TO L.P. TIER4 ENG. HARNESS

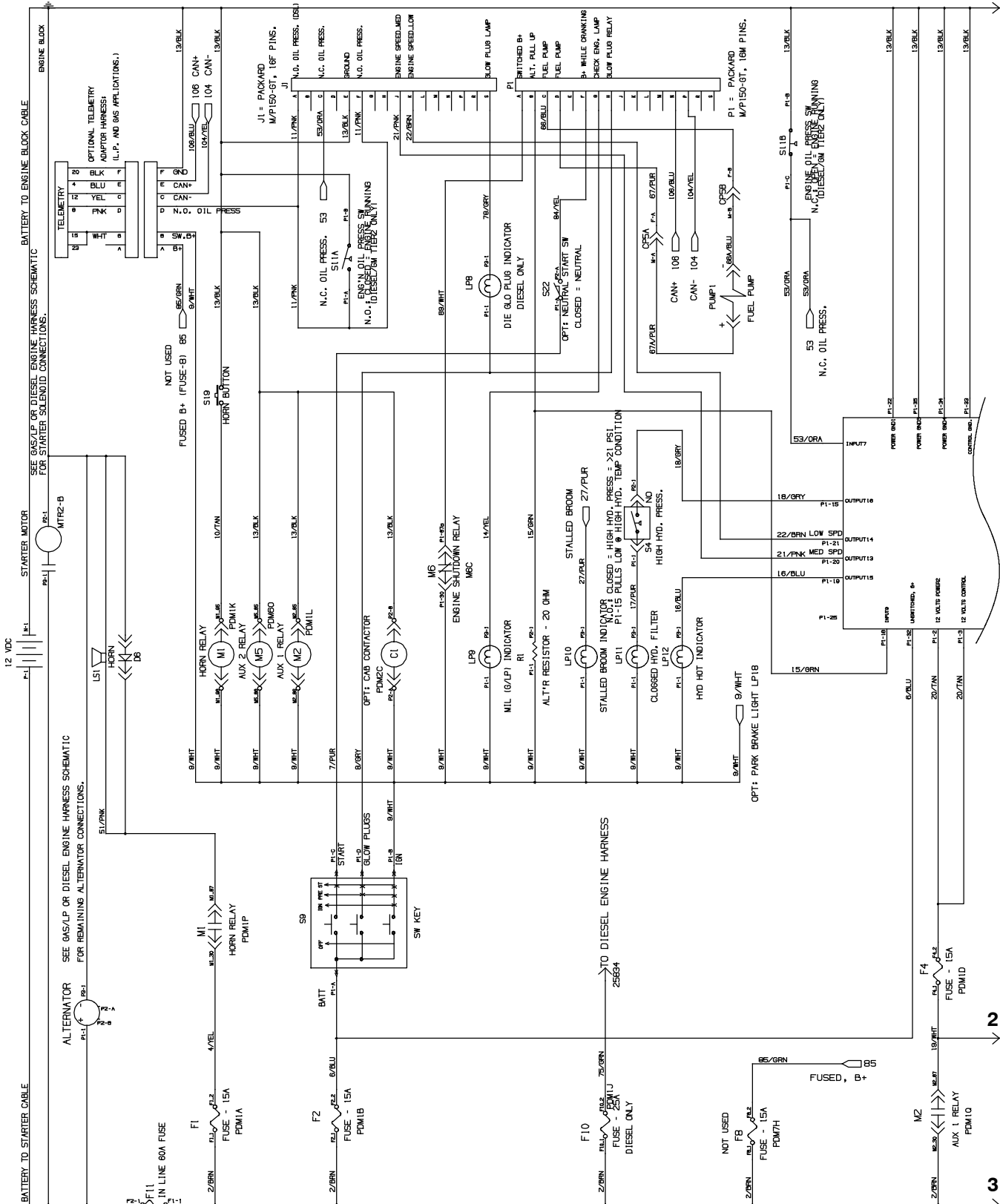


Fig. 59 - Electrical Schematic, S30 XP

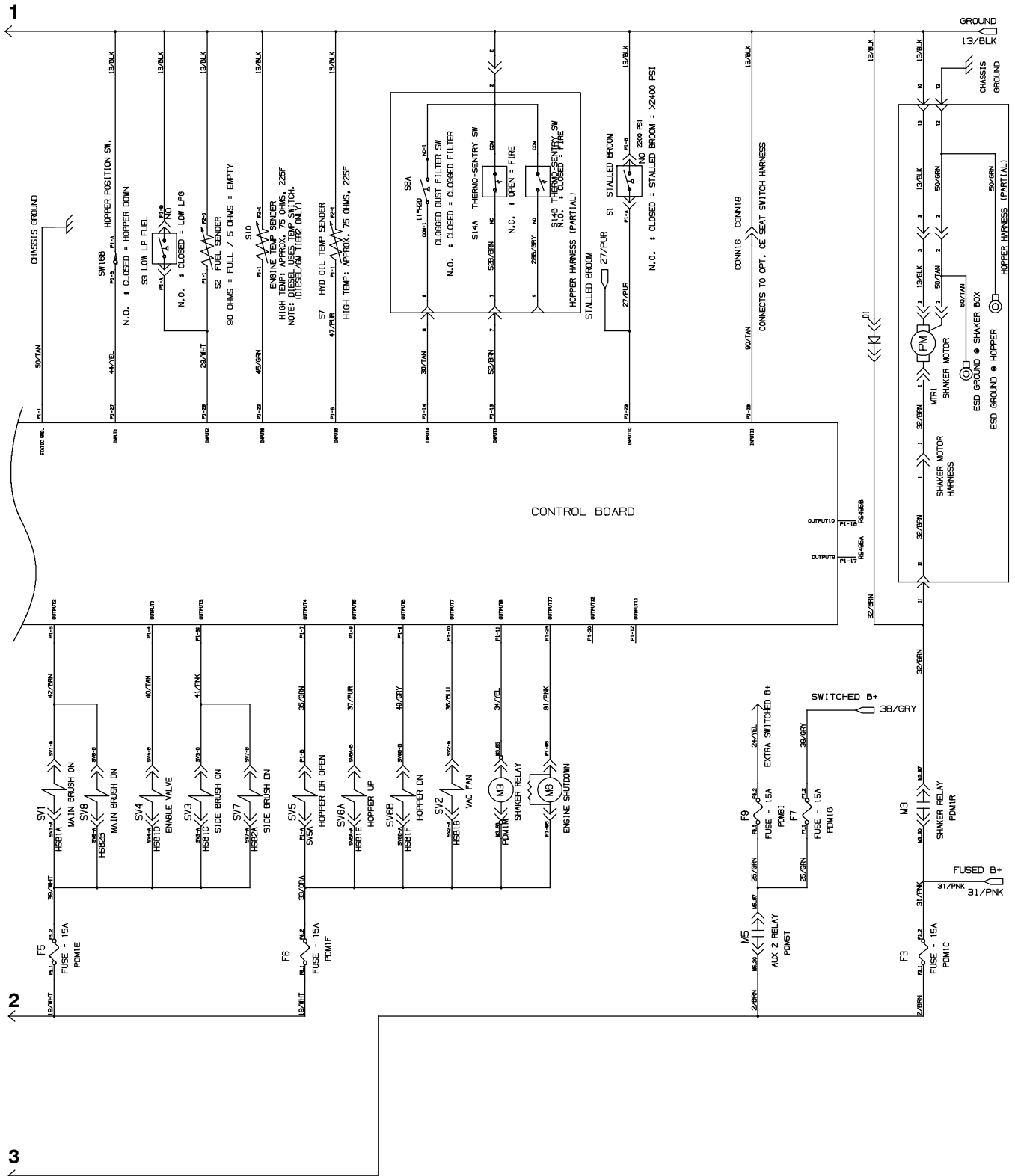


Fig. 59 - Electrical Schematic, S30 XP

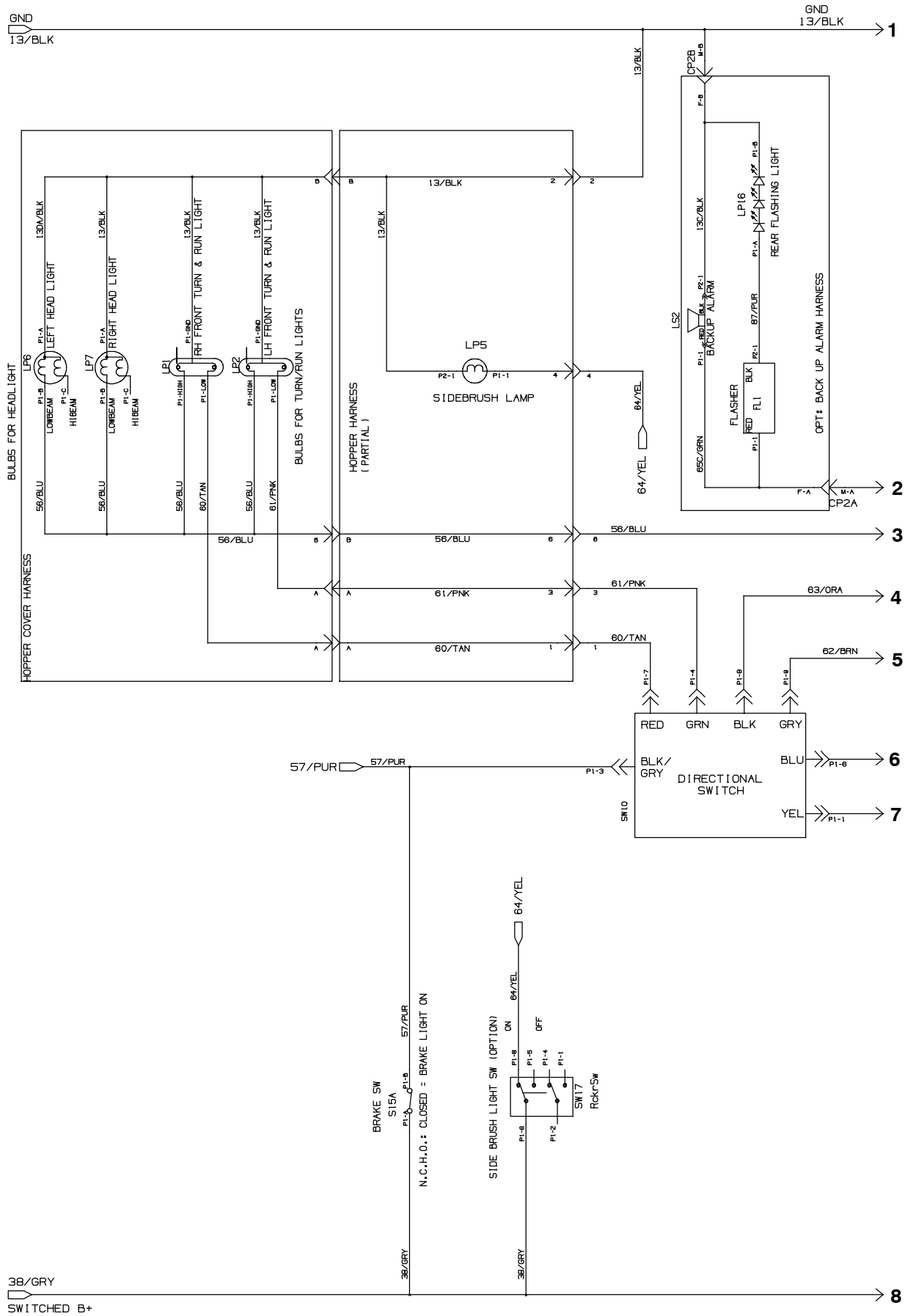
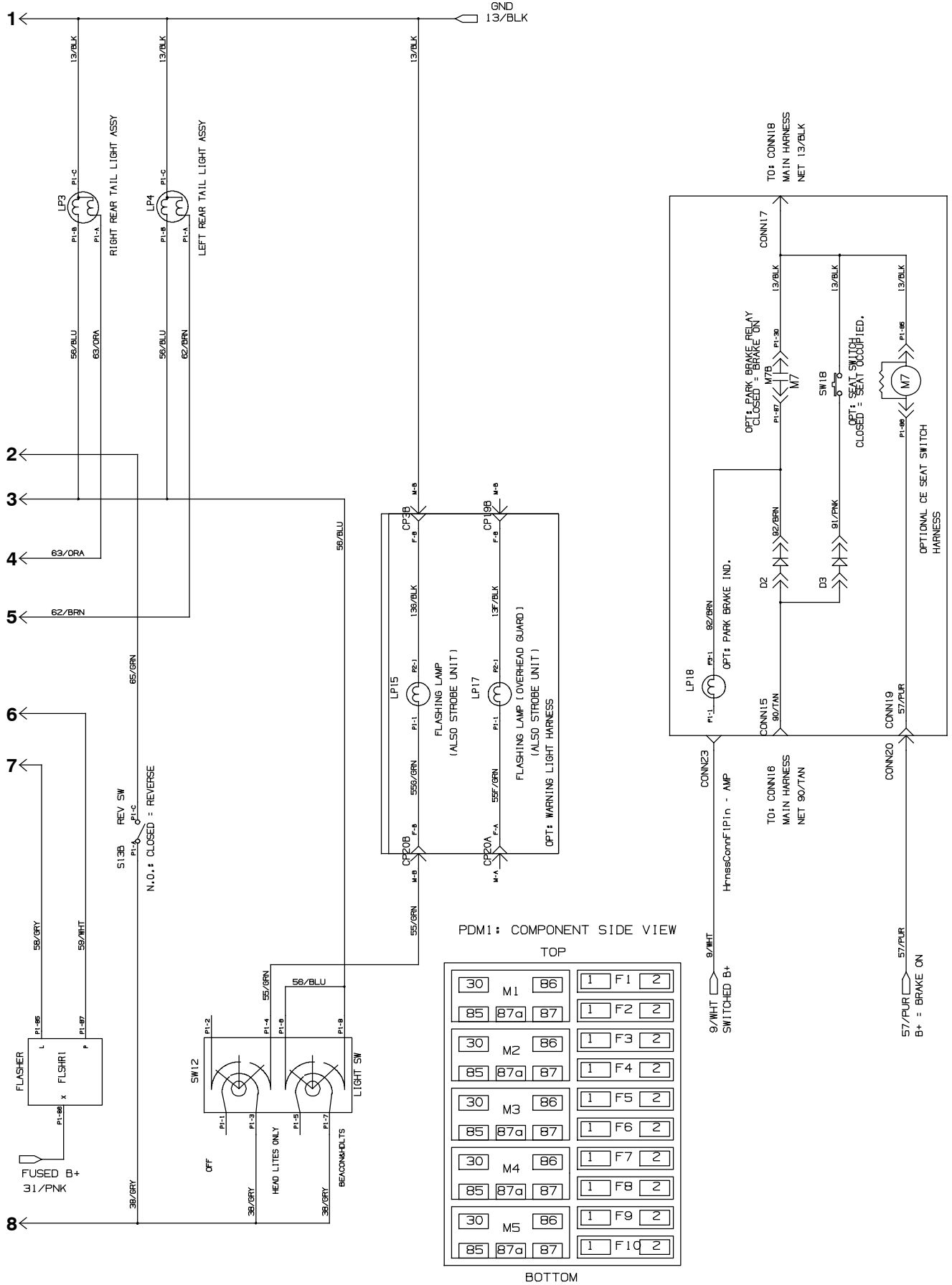
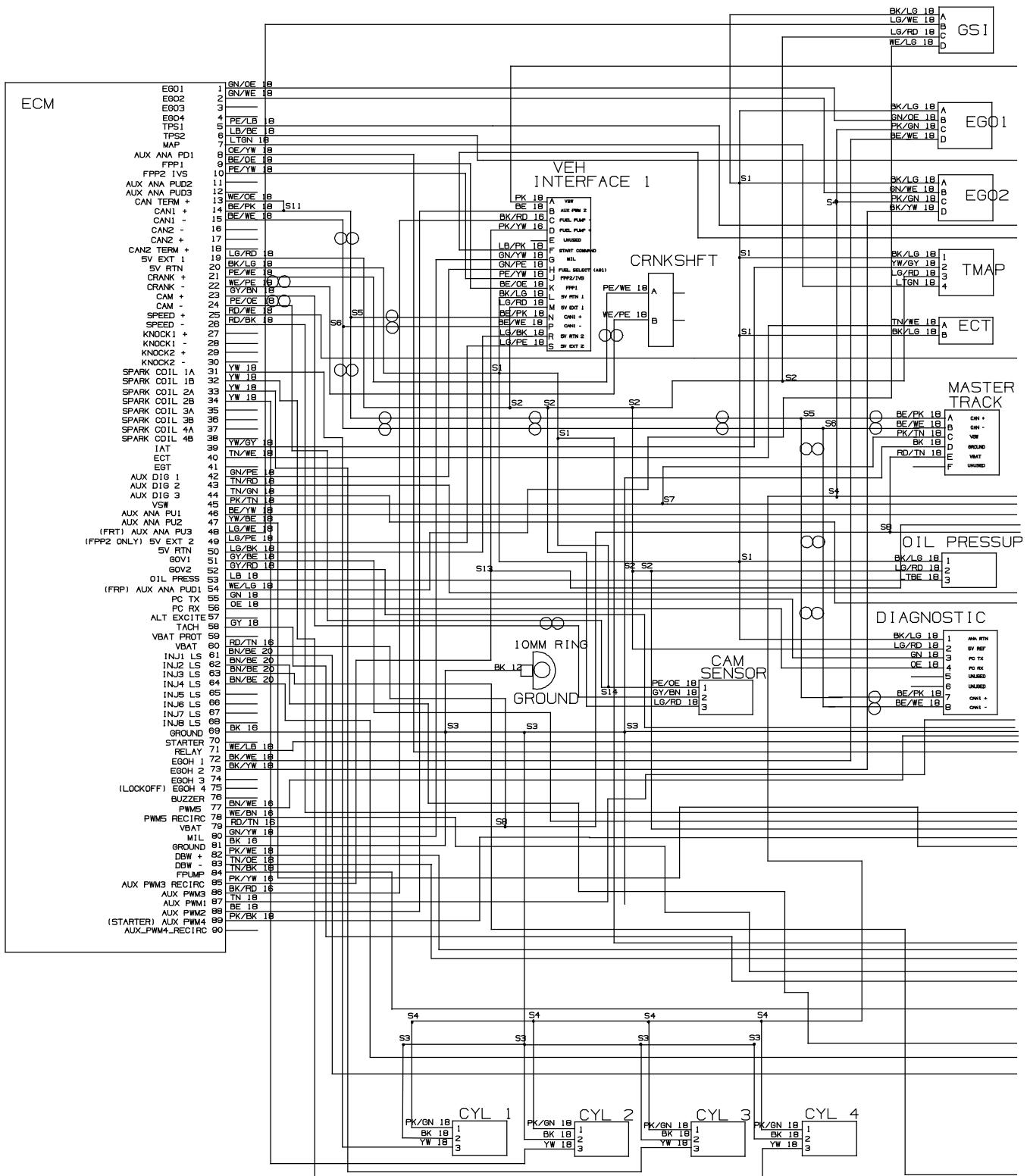


Fig. 59 - Electrical Schematic, S30 XP

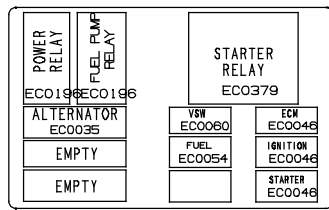
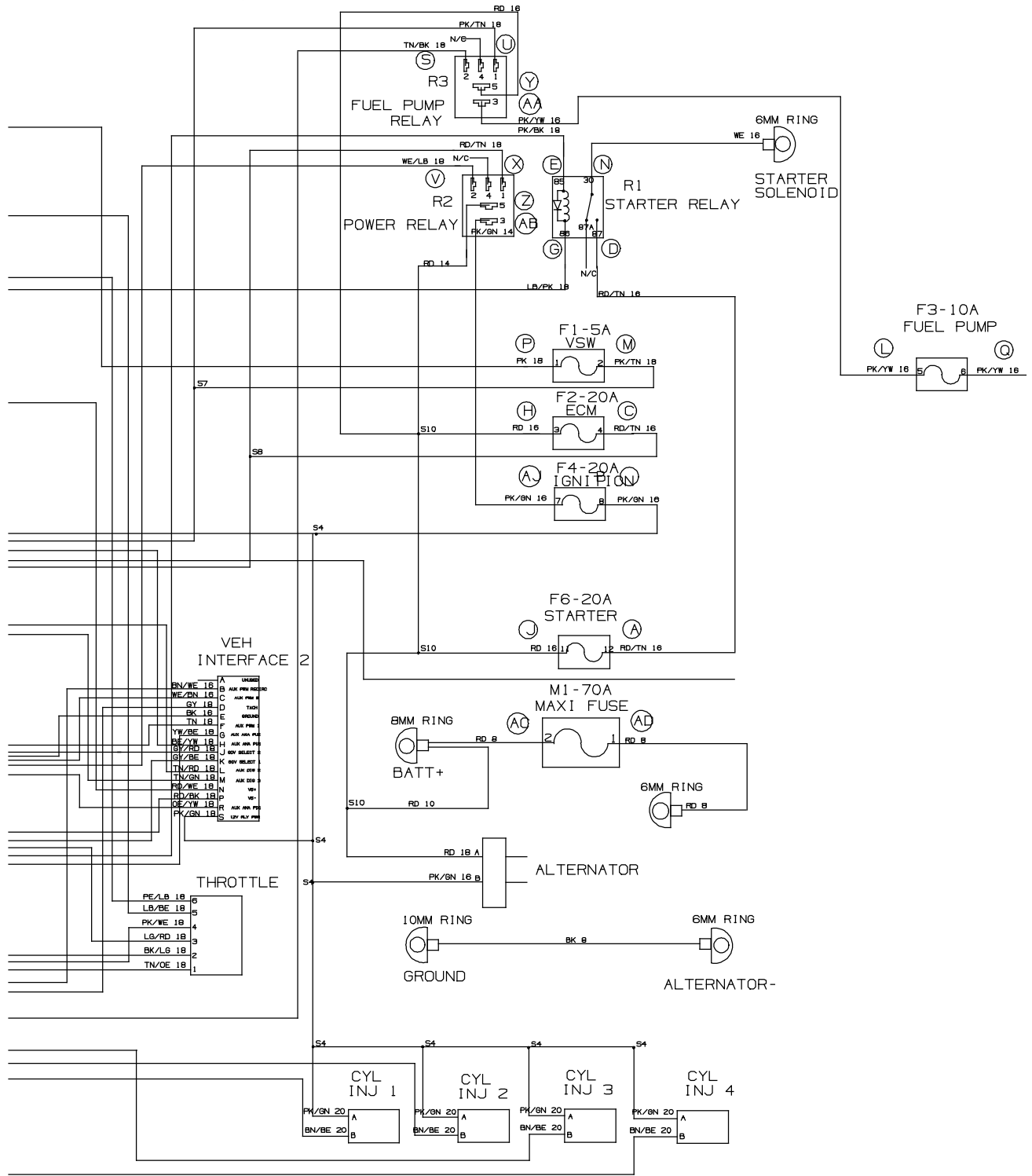


## Fig. 60 - Electrical Schematic, Gas Engine Harness (1 of 2)

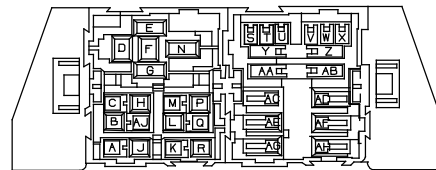


1071653- 356303

Fig. 60 - Electrical Schematic, Gas Engine Harness (2 of 2)



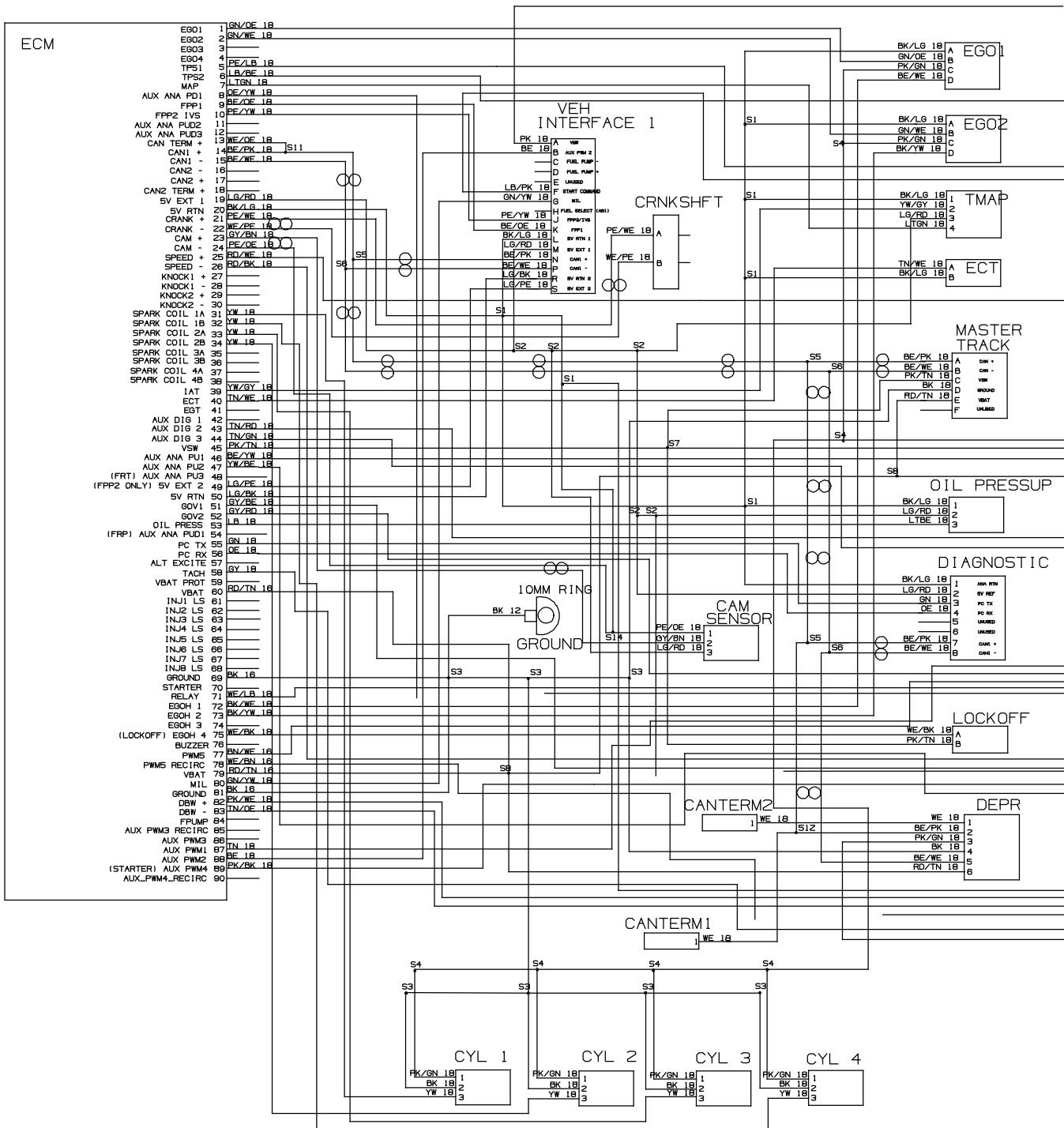
LOADING VIEW



CB0186  
WIRE INSERTION VIEW

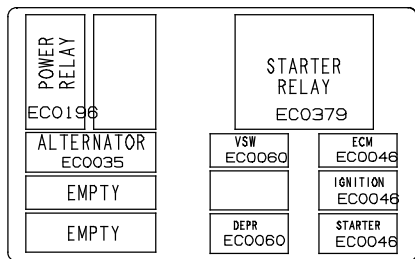
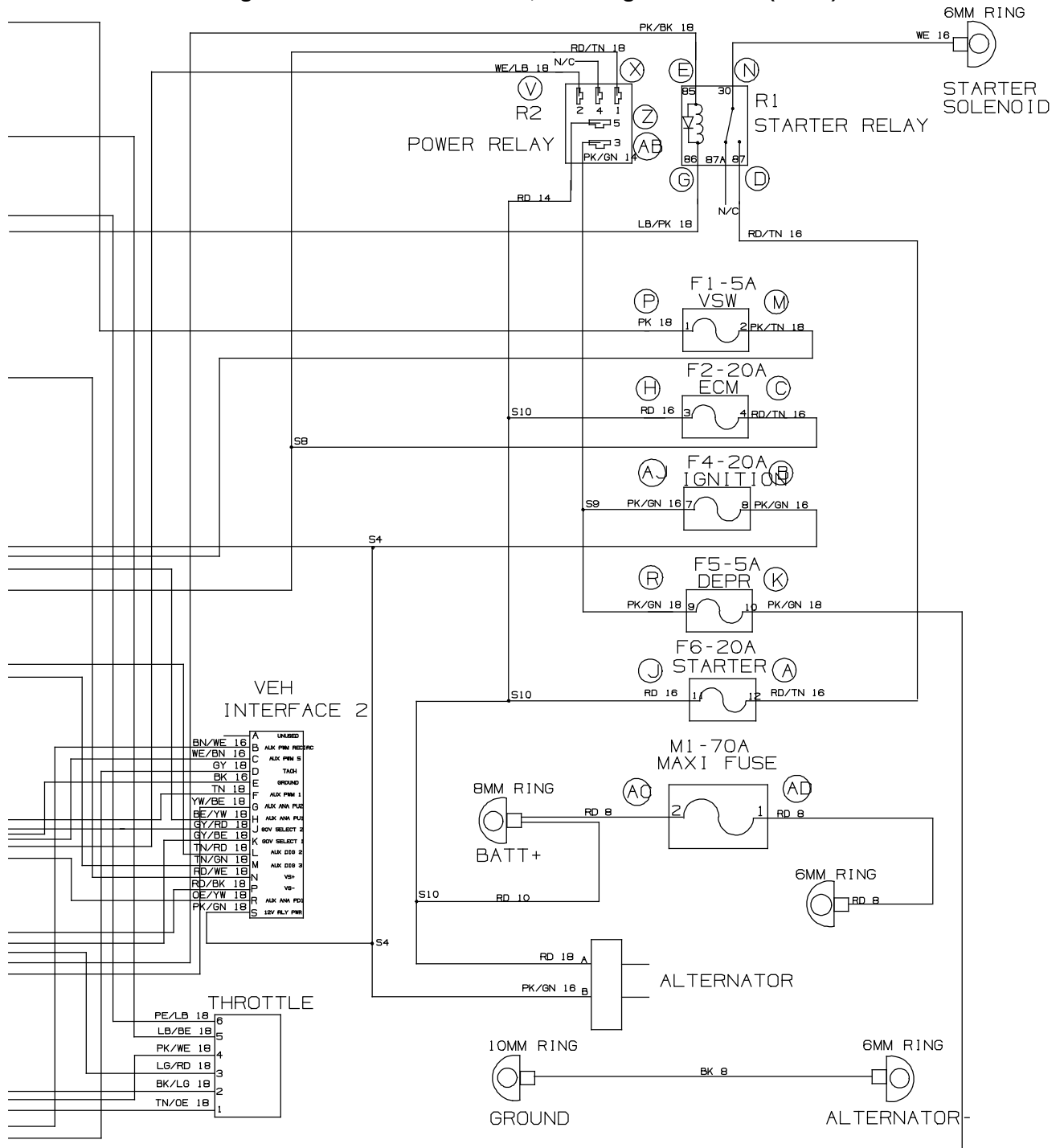
# STANDARD PARTS

Fig. 61 - Electrical Schematic, LPG Engine Harness (1 of 2)

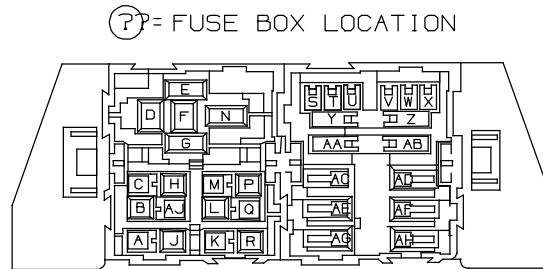


1071654- 356304

Fig. 61 - Electrical Schematic, LPG Engine Harness (2 of 2)



LOADING VIEW



CB0186 WIRE INSERTION VIEW

## Fig. 62 - Electrical Wire Harness Group

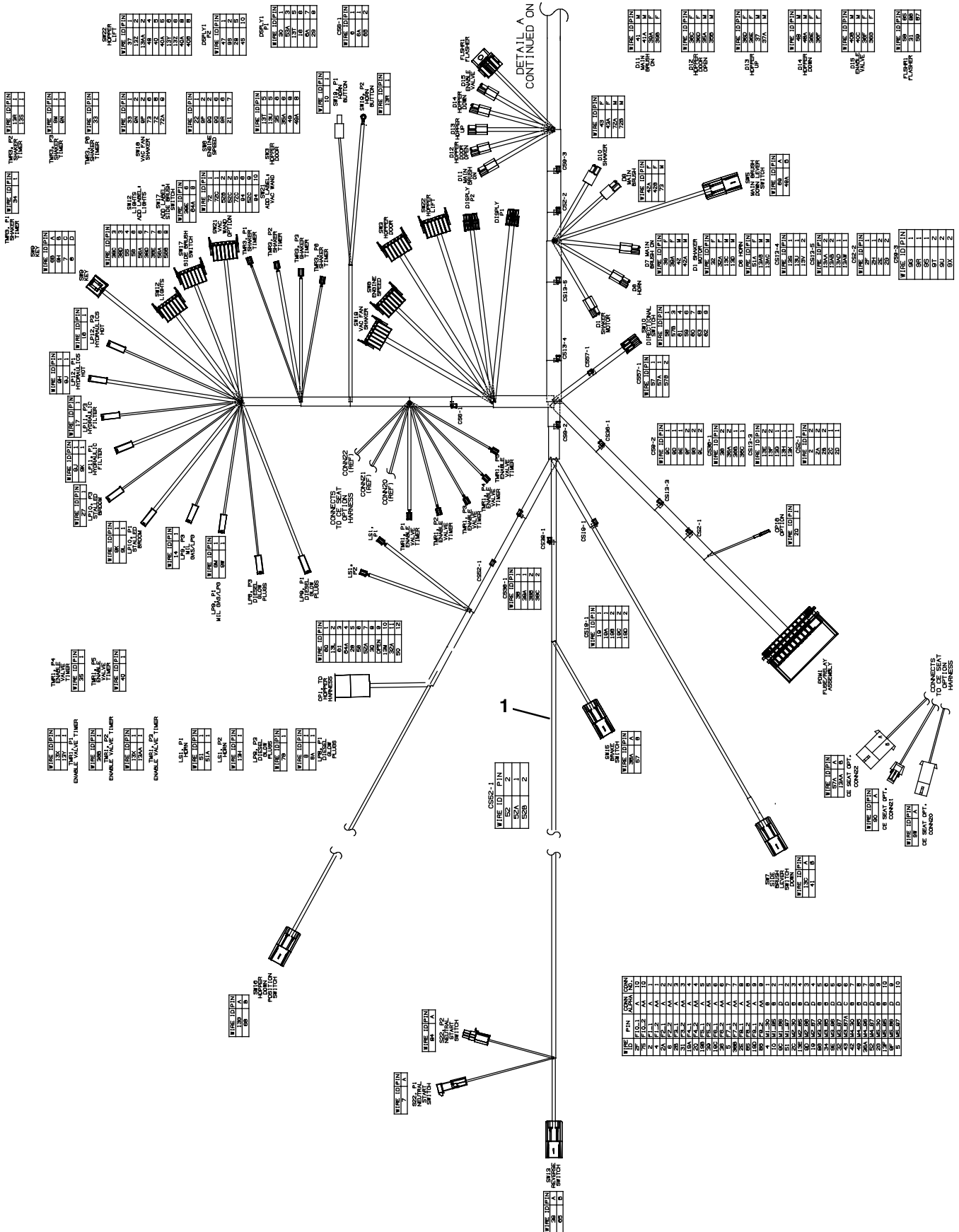
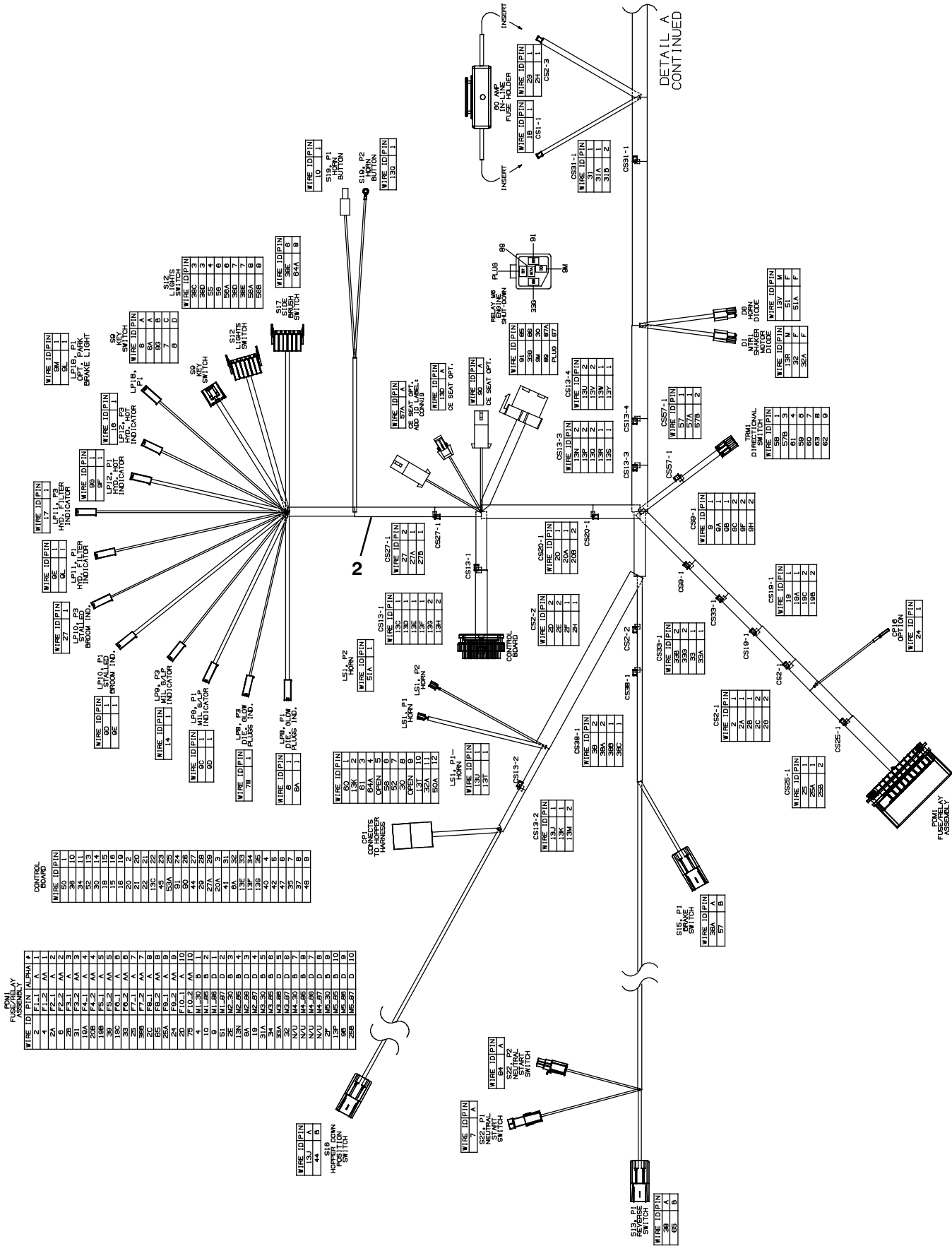




Fig. 62 - Electrical Wire Harnesses Group





## Fig. 62 - Electrical Wire Harness Group

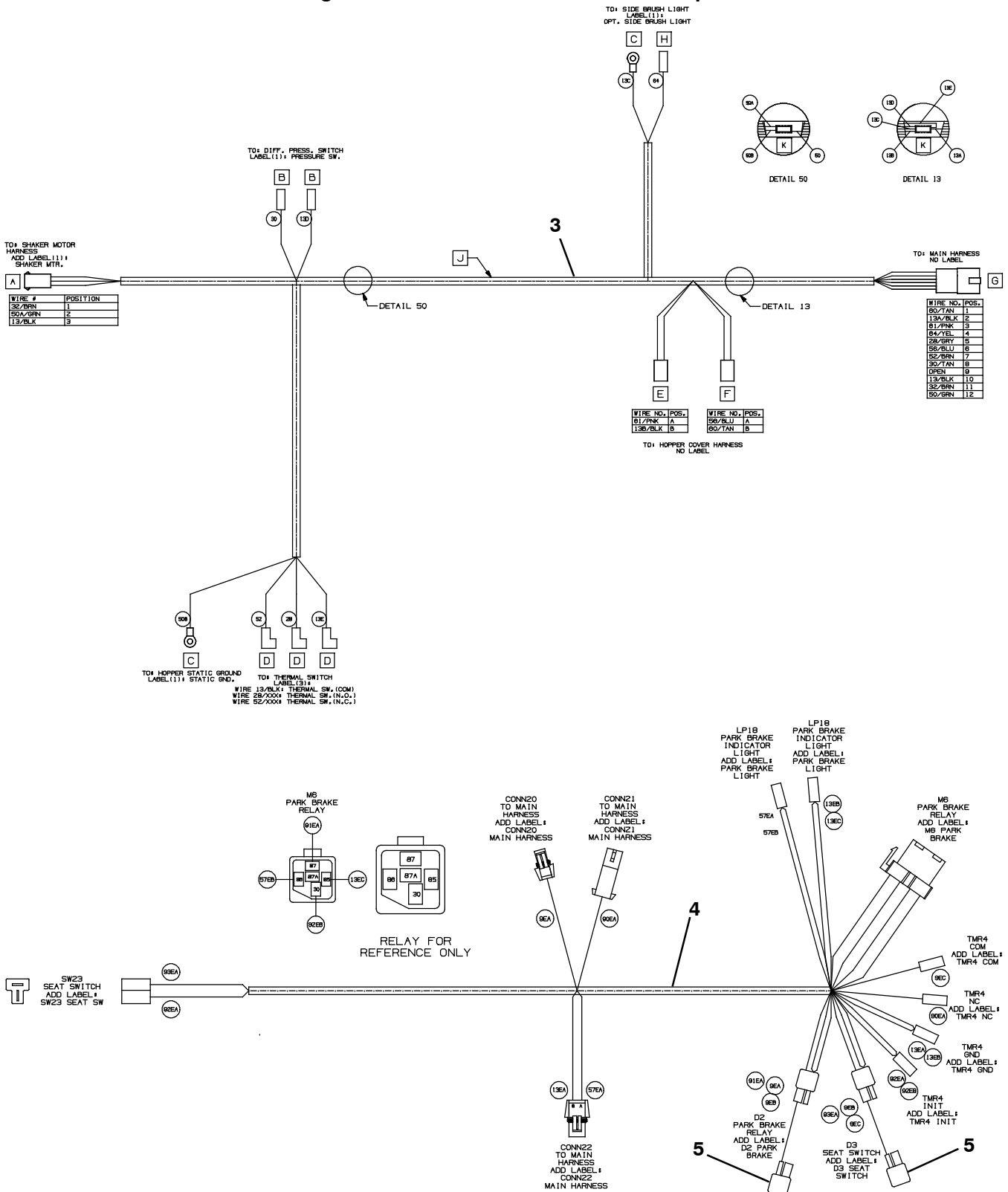
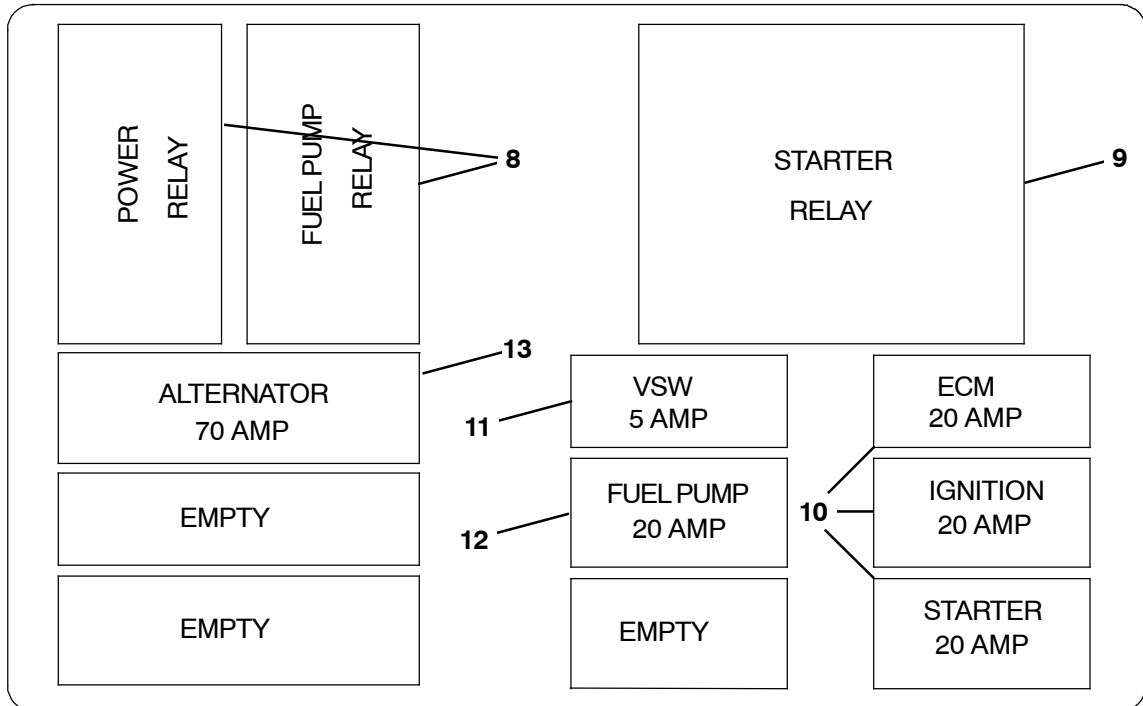
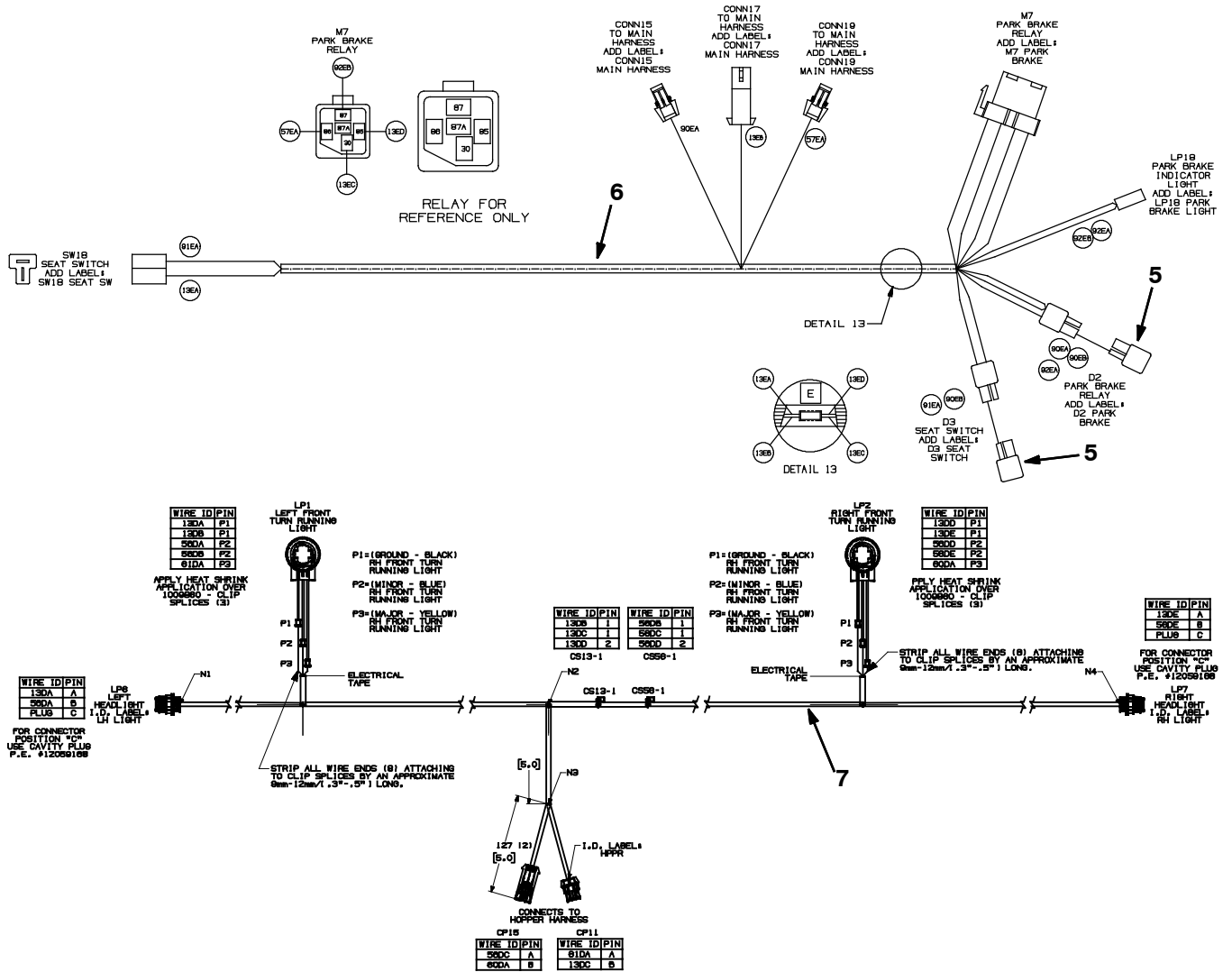


Fig. 62 - Electrical Wire Harness Group



**Fig. 62 - Electrical Wire Harnesses Group**

Ref.	Part No.	Serial Number	Description	Qty.
1	1073794	(006501-	) Harness, Main [S30, Phoenix] (S30 Only)	1
2	1073795	(006501-	) Harness, Main, [S30 Xp] (S30 XP Only)	1
3	1073902	(006501-	) Harness, Ele, Hppr [S30/S30xp Phoenix]	1
4	1047618	(006501-	) Harness, Switch, Seat, Ce [S30] (Europe Only)	1
5	222290	(006501-	) Diode, Ele, Plug (Europe Only)	2
6	1047619	(006501-	) Harness, Switch, Seat, Ce [S30 Xp] (Europe Only) (S30XP Only)	2
7	1033520	(006501-	) Harness, Cover, Hppr [S30]	1
▽	1071653	(006501-	) Harness, Wire, Eng, Gas [Mit, 2.0l]	1
▲	8 394916	(006501-	) Relay, 12vdc, 20a, Spdt	2
▲	9 57804	(006501-	) Relay, 12vdc, 40a, Spdt	1
▲	10 372237	(006501-	) Fuse, 20 Amp, [Min- 20]	3
▲	11 372235	(006501-	) Fuse, 5 Amp, [Min- 5]	1
▲	12 384999	(006501-	) Fuse, 10 Amp	1
▲	13 1076351	(006501-	) Fuse, Blade, 070a, 32vdc [Maxi]	1
▽	1071654	(006501-	) Harness, Wire, Eng, Lpg [Mit, 2.0l]	1
▲	8 394916	(006501-	) Relay, 12vdc, 20a, Spdt	2
▲	9 57804	(006501-	) Relay, 12vdc, 40a, Spdt	1
▲	10 372237	(006501-	) Fuse, 20 Amp, [Min- 20]	3
▲	11 372235	(006501-	) Fuse, 5 Amp, [Min- 5]	1
▲	12 384999	(006501-	) Fuse, 10 Amp	1
▲	13 1076351	(006501-	) Fuse, Blade, 070a, 32vdc [Maxi]	1

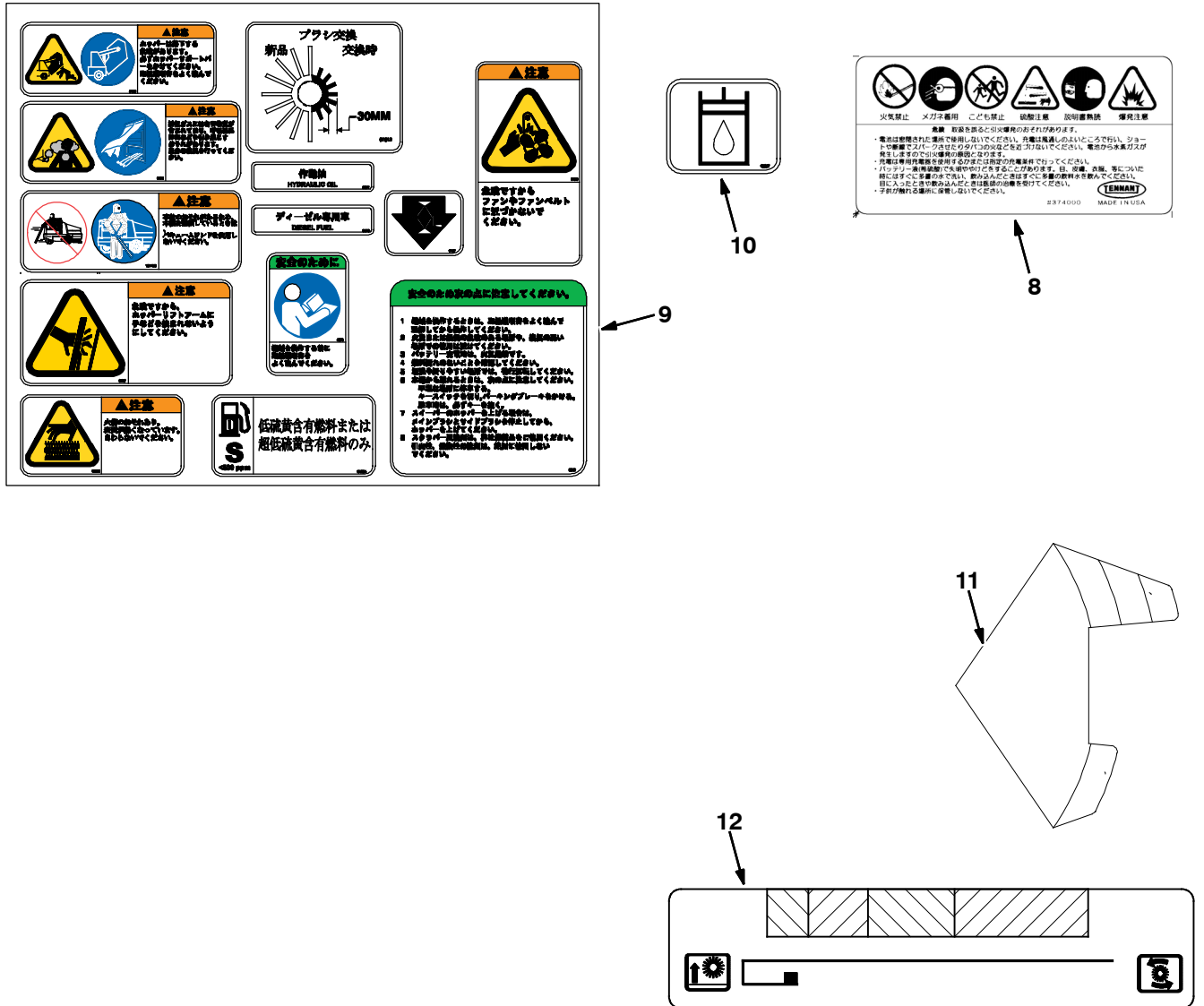


Fig. 63 - Label Group

<p>LOW SULFUR FUEL OR ULTRA LOW SULFUR FUEL ONLY</p> <p>SÓLO COMBUSTIBLE CON UN NIVEL BAJO EN SULFURO O COMBUSTIBLE CON UN NIVEL MÍNIMO DE SULFURO</p> <p>COMBUSTIBLE À FAIBLE TENEUR OU À TRÈS FAIBLE TENEUR EN SOUFRE SEULEMENT</p>		<table border="1"> <tr> <th>▲ WARNING</th> <th>▲ AVERTISSEMENT</th> <th>▲ ADVERTENCIA</th> </tr> <tr> <td>Machine emits toxic gases. Serious injury or death can result. Provide adequate ventilation.</td> <td>La machine produit des gaz toxiques. Ces gaz peuvent provoquer des blessures ou la mort. Veillez à ce que l'endroit soit bien aéré.</td> <td>La máquina emite gases tóxicos. Pueden provocar lesiones graves o fatales. Asegúrese de que existe suficiente ventilación.</td> </tr> </table>	▲ WARNING	▲ AVERTISSEMENT	▲ ADVERTENCIA	Machine emits toxic gases. Serious injury or death can result. Provide adequate ventilation.	La machine produit des gaz toxiques. Ces gaz peuvent provoquer des blessures ou la mort. Veillez à ce que l'endroit soit bien aéré.	La máquina emite gases tóxicos. Pueden provocar lesiones graves o fatales. Asegúrese de que existe suficiente ventilación.							
▲ WARNING	▲ AVERTISSEMENT	▲ ADVERTENCIA													
Machine emits toxic gases. Serious injury or death can result. Provide adequate ventilation.	La machine produit des gaz toxiques. Ces gaz peuvent provoquer des blessures ou la mort. Veillez à ce que l'endroit soit bien aéré.	La máquina emite gases tóxicos. Pueden provocar lesiones graves o fatales. Asegúrese de que existe suficiente ventilación.													
	<table border="1"> <tr> <th>▲ WARNING</th> </tr> <tr> <td>Moving belt and fan. Keep away.</td> </tr> <tr> <th>▲ AVERTISSEMENT</th> </tr> <tr> <td>La courroie et le ventilateur sont en mouvement. Ne vous approchez pas.</td> </tr> <tr> <th>▲ ADVERTENCIA</th> </tr> <tr> <td>Correa y ventilador en movimiento. Manténgase alejado.</td> </tr> </table>	▲ WARNING	Moving belt and fan. Keep away.	▲ AVERTISSEMENT	La courroie et le ventilateur sont en mouvement. Ne vous approchez pas.	▲ ADVERTENCIA	Correa y ventilador en movimiento. Manténgase alejado.	<p>FOR SAFETY</p> <p>Read manual before operating machine.</p> <p>POUR VOTRE SECURITE</p> <p>Lisez le manuel avant d'utiliser la machine.</p> <p>PARA SEGURIDAD</p> <p>Lea el manual antes de operar la máquina.</p>	<table border="1"> <tr> <th>▲ WARNING</th> <th>▲ AVERTISSEMENT</th> <th>▲ ADVERTENCIA</th> </tr> <tr> <td>Raised hopper may fall. Engage hopper support bar.</td> <td>La trémie levée peut tomber. Engagez la barre de support de la trémie.</td> <td>La caja colectorá en posición elevada puede caer. Monte la barra de apoyo.</td> </tr> </table>	▲ WARNING	▲ AVERTISSEMENT	▲ ADVERTENCIA	Raised hopper may fall. Engage hopper support bar.	La trémie levée peut tomber. Engagez la barre de support de la trémie.	La caja colectorá en posición elevada puede caer. Monte la barra de apoyo.
▲ WARNING															
Moving belt and fan. Keep away.															
▲ AVERTISSEMENT															
La courroie et le ventilateur sont en mouvement. Ne vous approchez pas.															
▲ ADVERTENCIA															
Correa y ventilador en movimiento. Manténgase alejado.															
▲ WARNING	▲ AVERTISSEMENT	▲ ADVERTENCIA													
Raised hopper may fall. Engage hopper support bar.	La trémie levée peut tomber. Engagez la barre de support de la trémie.	La caja colectorá en posición elevada puede caer. Monte la barra de apoyo.													
			<table border="1"> <tr> <th>▲ WARNING</th> </tr> <tr> <td>Lift arm pinch point. Stay clear of hopper lift arms.</td> </tr> <tr> <th>▲ AVERTISSEMENT</th> </tr> <tr> <td>Attention au point d'articulation du bras d'élevation. Ne vous approchez pas des bras d'élevation de la trémie.</td> </tr> <tr> <th>▲ ADVERTENCIA</th> </tr> <tr> <td>Punto de pinzamiento del brazo elevador. No se acerque a los brazos elevadores de la caja colectorá.</td> </tr> </table>	▲ WARNING	Lift arm pinch point. Stay clear of hopper lift arms.	▲ AVERTISSEMENT	Attention au point d'articulation du bras d'élevation. Ne vous approchez pas des bras d'élevation de la trémie.	▲ ADVERTENCIA	Punto de pinzamiento del brazo elevador. No se acerque a los brazos elevadores de la caja colectorá.						
▲ WARNING															
Lift arm pinch point. Stay clear of hopper lift arms.															
▲ AVERTISSEMENT															
Attention au point d'articulation du bras d'élevation. Ne vous approchez pas des bras d'élevation de la trémie.															
▲ ADVERTENCIA															
Punto de pinzamiento del brazo elevador. No se acerque a los brazos elevadores de la caja colectorá.															
<table border="1"> <tr> <th>▲ WARNING</th> </tr> <tr> <td>Burn hazard, Hot surface. Do NOT touch.</td> </tr> <tr> <th>▲ AVERTISSEMENT</th> </tr> <tr> <td>Risque de brûlures. Surface chaude. Ne pas toucher.</td> </tr> <tr> <th>▲ ADVERTENCIA</th> </tr> <tr> <td>Peligro de quemaduras. Superficie caliente. NO tocar.</td> </tr> </table>	▲ WARNING	Burn hazard, Hot surface. Do NOT touch.	▲ AVERTISSEMENT	Risque de brûlures. Surface chaude. Ne pas toucher.	▲ ADVERTENCIA	Peligro de quemaduras. Superficie caliente. NO tocar.		<table border="1"> <tr> <th>▲ WARNING</th> </tr> <tr> <td>Lift arm pinch point. Stay clear of hopper lift arms.</td> </tr> <tr> <th>▲ AVERTISSEMENT</th> </tr> <tr> <td>Attention au point d'articulation du bras d'élevation. Ne vous approchez pas des bras d'élevation de la trémie.</td> </tr> <tr> <th>▲ ADVERTENCIA</th> </tr> <tr> <td>Punto de pinzamiento del brazo elevador. No se acerque a los brazos elevadores de la caja colectorá.</td> </tr> </table>	▲ WARNING	Lift arm pinch point. Stay clear of hopper lift arms.	▲ AVERTISSEMENT	Attention au point d'articulation du bras d'élevation. Ne vous approchez pas des bras d'élevation de la trémie.	▲ ADVERTENCIA	Punto de pinzamiento del brazo elevador. No se acerque a los brazos elevadores de la caja colectorá.	
▲ WARNING															
Burn hazard, Hot surface. Do NOT touch.															
▲ AVERTISSEMENT															
Risque de brûlures. Surface chaude. Ne pas toucher.															
▲ ADVERTENCIA															
Peligro de quemaduras. Superficie caliente. NO tocar.															
▲ WARNING															
Lift arm pinch point. Stay clear of hopper lift arms.															
▲ AVERTISSEMENT															
Attention au point d'articulation du bras d'élevation. Ne vous approchez pas des bras d'élevation de la trémie.															
▲ ADVERTENCIA															
Punto de pinzamiento del brazo elevador. No se acerque a los brazos elevadores de la caja colectorá.															

	<p>5</p> <p>1</p>						
<table border="1"> <tr> <th>▲ CAUTION</th> <th>▲ ATTENTION</th> <th>▲ ATENCIÓN</th> </tr> <tr> <td>LPG engine will run for a few seconds after key is turned off. Apply parking brake before leaving machine.</td> <td>Le moteur à GPL tourne encore quelques secondes une fois le contact coupé. Engagez le frein de stationnement avant de quitter la machine.</td> <td>El motor LPG seguirá funcionando algunos segundos después de retirar la llave de contacto. Aplique el freno de estacionamiento antes de abandonar la máquina.</td> </tr> </table>	▲ CAUTION	▲ ATTENTION	▲ ATENCIÓN	LPG engine will run for a few seconds after key is turned off. Apply parking brake before leaving machine.	Le moteur à GPL tourne encore quelques secondes une fois le contact coupé. Engagez le frein de stationnement avant de quitter la machine.	El motor LPG seguirá funcionando algunos segundos después de retirar la llave de contacto. Aplique el freno de estacionamiento antes de abandonar la máquina.	<p>7</p> <p>2</p> <p>3</p> <p>4</p>
▲ CAUTION	▲ ATTENTION	▲ ATENCIÓN					
LPG engine will run for a few seconds after key is turned off. Apply parking brake before leaving machine.	Le moteur à GPL tourne encore quelques secondes une fois le contact coupé. Engagez le frein de stationnement avant de quitter la machine.	El motor LPG seguirá funcionando algunos segundos después de retirar la llave de contacto. Aplique el freno de estacionamiento antes de abandonar la máquina.					

Fig. 63 - Label Group



NA

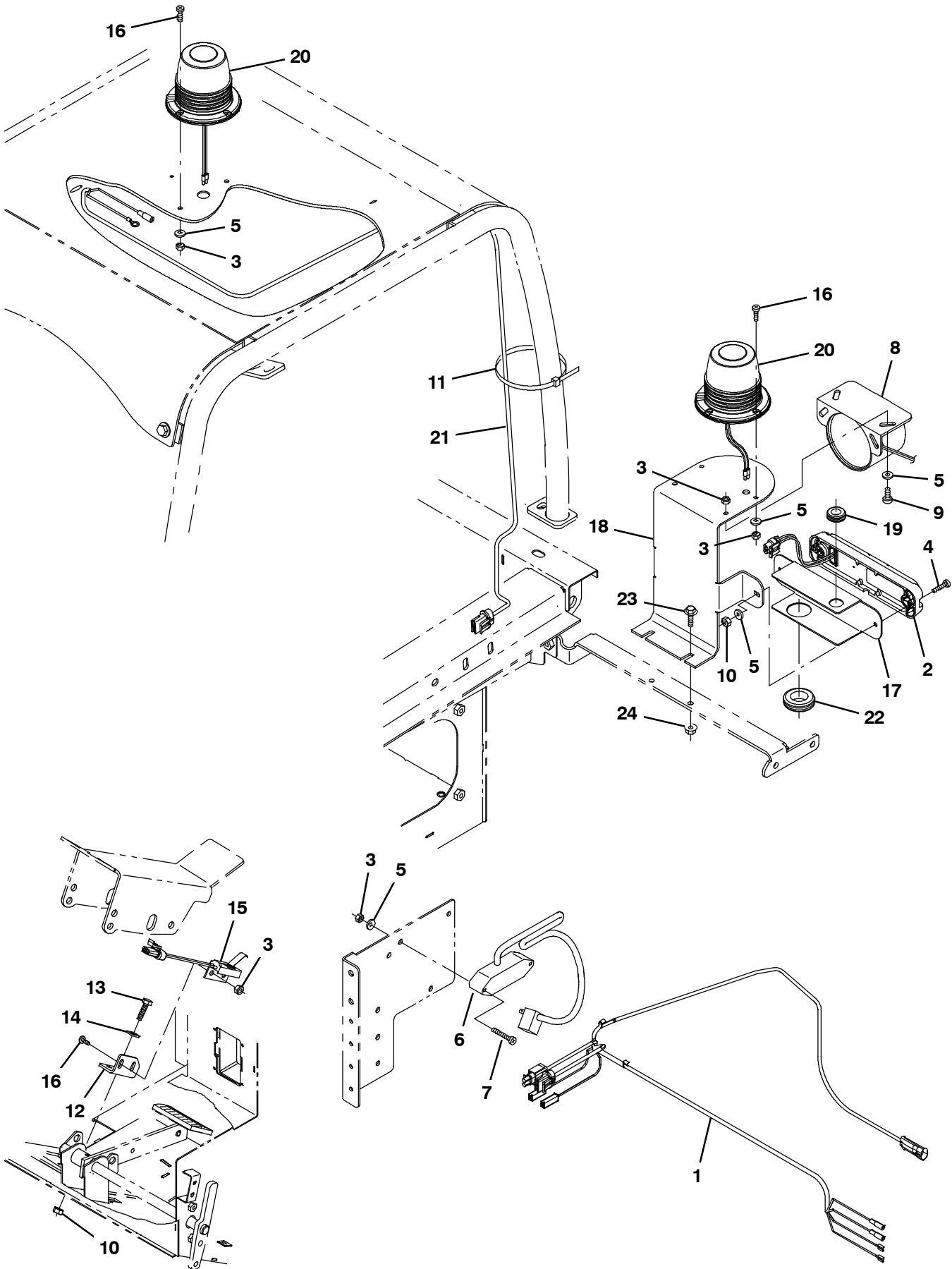
Ref.	Part No.	Serial Number	Description	Qty.
1	1047741	(006501- )	Label, Logo, 10.4l, White [Tennant]	1
2	1017141	(006501- )	Label Set, Hi Temp	1
3	1061047	(006501- )	Label, White [S30]	3
4	1061048	(006501- )	Label, Cyclone [S30]	3
5	59767	(006501- )	Label Set, Info/Hzrd [Multi-Mach]	1
6	1020434	(006501- )	Label, Caution [Apply Parking Brake]	1
7	1025101	(006501- )	Label, Caution [Apply Parking Brake] (Japan Only)	1
8	374000	(006501- )	Label, Caution, Battery, Tj (Japan Only)	1
9	72381	(006501- )	Label Set, Info/Hzrd, Misc, Tj (Japan Only)	1
10	19207	(006501- )	Label, Info, Hyd Fluid, Na / Ce (Japan Only)	1
11	383203	(006501- )	Label, Info, Arm Brush	1
12	383202	(006501- )	Label, Handle, Lift	1



# SECTION 3

Contents	Page
Fig. 1 - Indoor Light Kit .....	3- 2
Fig. 2 - Outdoor Light Kit .....	3- 4
Fig. 3 - Left Hand Side Brush Kit, S30 XP .	3- 6
Fig. 4 - Vacuum Wand Kit .....	3- 8
Fig. 5 - Overhead Guard Kit .....	3- 10
Fig. 6 - Cab Group .....	3- 12
Fig. 7 - Cab Cover Group .....	3- 14
Fig. 8 - Cab Door Group .....	3- 16
Fig. 9 - Cab Heater Group .....	3- 18
Fig. 10 - Cab Air Conditioner Group .....	3- 20
Fig. 11 - Cab Fuel Cover Group .....	3- 22
Fig. 12 - Cab Wire Harness Group .....	3- 24
Fig. 13 - Cab Wire Harness Electrical Schematic .....	3- 25
Fig. 14 - Corner Bumper Kit .....	3- 26
Fig. 15 - Telemetry Group .....	3- 27
Fig. 16 - Side and Rear Skirt Kit .....	3- 28
Fig. 17 - Wet Side Brush Dust Control Water Tank Group .....	3- 30
Fig. 18 - Wet Right Hand Side Brush Dust Control Spray Nozzle Group ....	3- 32
Fig. 19 - Wet Dual Side Brush Dust Control Spray Nozzle Group .....	3- 34
Fig. 20 - Wet Side Brush Dust Control Electrical Group .....	3- 36
Fig. 21 - Wet Side Brush Dust Control Wire Harness Group .....	3- 38
Fig. 22 - Wet Side Brush Dust Control Rework Group (S/N 006501- 008140) ...	3- 40
Fig. 23 - Wet Side Brush Dust Control Electrical Schematic, S30 .....	3- 42
Fig. 24 - Wet Side Brush Dust Control Electrical Schematic, S30 XP ...	3- 43
Fig. 25 - Right Hand Side Brush Dust Control Skirt Kit .....	3- 44
Fig. 26 - Dual Side Brush Dust Control Skirt Kit .....	3- 46
Fig. 27 - HEPA Filter Vacuum Hose Group	3- 48
Fig. 28 - HEPA Filter Box Group .....	3- 50
Fig. 29 - HEPA Filter Exhaust Cover Group	3- 52
Fig. 30 - HEPA Filter Electrical Group .....	3- 54
Fig. 31 - Fire Extinguisher Kit .....	3- 55
Fig. 32 - Spotlight Kit, Blue .....	3- 56
Fig. 33 - Tow Hook Group .....	3- 58
Fig. 34 - Seat Belt Group .....	3- 59
Fig. 35 - Weather Proof Pouch Group ....	3- 60
Fig. 36 - Documentation Group (Online Only) .....	3- 61

Fig. 1 - Indoor Light Kit



**Fig. 1 - Indoor Light Kit**

	<b>Ref.</b>	<b>Part No.</b>	<b>Serial Number</b>	<b>Description</b>	<b>Qty.</b>
▽		9008199	(006501-	) Light Kit, Inside, Ci [S30]	1
▲	1	1034191	(006501-	) Harness, Backup, Rev [S30]	1
▲	2	1036173	(006501-	) Light, Led, White, 12- 24vdc	1
▲	3	06549	(006501-	) Nut, Hex, Lock, M5 X 0.80, NI	6
▲	4	06935	(006501-	) Screw, Pan, Phl, M5 X 0.80 X 25, 4.8	2
▲	5	19066	(006501-	) Washer, Flat, 10	8
▲	6	1036985	(006501-	) Flasher, 12- 80vdc, 2a	1
▲	7	06938	(006501-	) Screw, Pan, Phl, M5 X 0.80 X 40, 4.8	2
▲	8	9007131	(006501-	) Alarm Assy, Backup, 12- 24vdc 82- 107dba	1
▲	9	09145	(006501-	) Screw, Pan, Phl, M6 X 1.00 X 16, 4.8	2
▲	10	07785	(006501-	) Nut, Hex, Std, M6 X 1.00, Ss	4
▲	11	49266	(006501-	) Tie, Cable, Nyl, 07.3l .19w 1.8 Max D	4
▲	12	1036995	(006501-	) Bracket, Switch, Reverse	1
▲	13	08716	(006501-	) Screw, Hex, M6 X 1.00 X 20, Ss	2
▲	14	32483	(006501-	) Washer, Flat, 0.25, Sae	2
▲	15	1039735	(006501-	) Switch, Snap, 15a No	1
▲	16	06933	(006501-	) Screw, Pan, Phl, M5 X 0.80 X 16, 4.8	4
▲	17	1061203	(006501-	) Bracket, Light	1
▲	18	1061140	(006501-	) Bracket, Alarm, Backup	1
▲	19	10632- 9	(006501-	) Grommet, Rbr, 0.63id, F/0.8h, .12 Matl	1
▲	20	1075297	(006501-	) Light, Flsh, 12vdc, Amb, Rwk	1
▲	21	1030973	(006501-	) Harness, Ohg [S30]	1
▲	22	10632- 14	(006501-	) Grommet, Rbr, 1.00id, F/1.4h, .12 Matl	1
▲	23	1036892	(006501-	) Screw, Hex, M6 X 1.00 X 25, 9.8, Sems	2
▲	24	07790	(006501-	) Nut, Hex, Flng, M6 X 1.00	2

**Fig. 2 - Outdoor Light Kit**

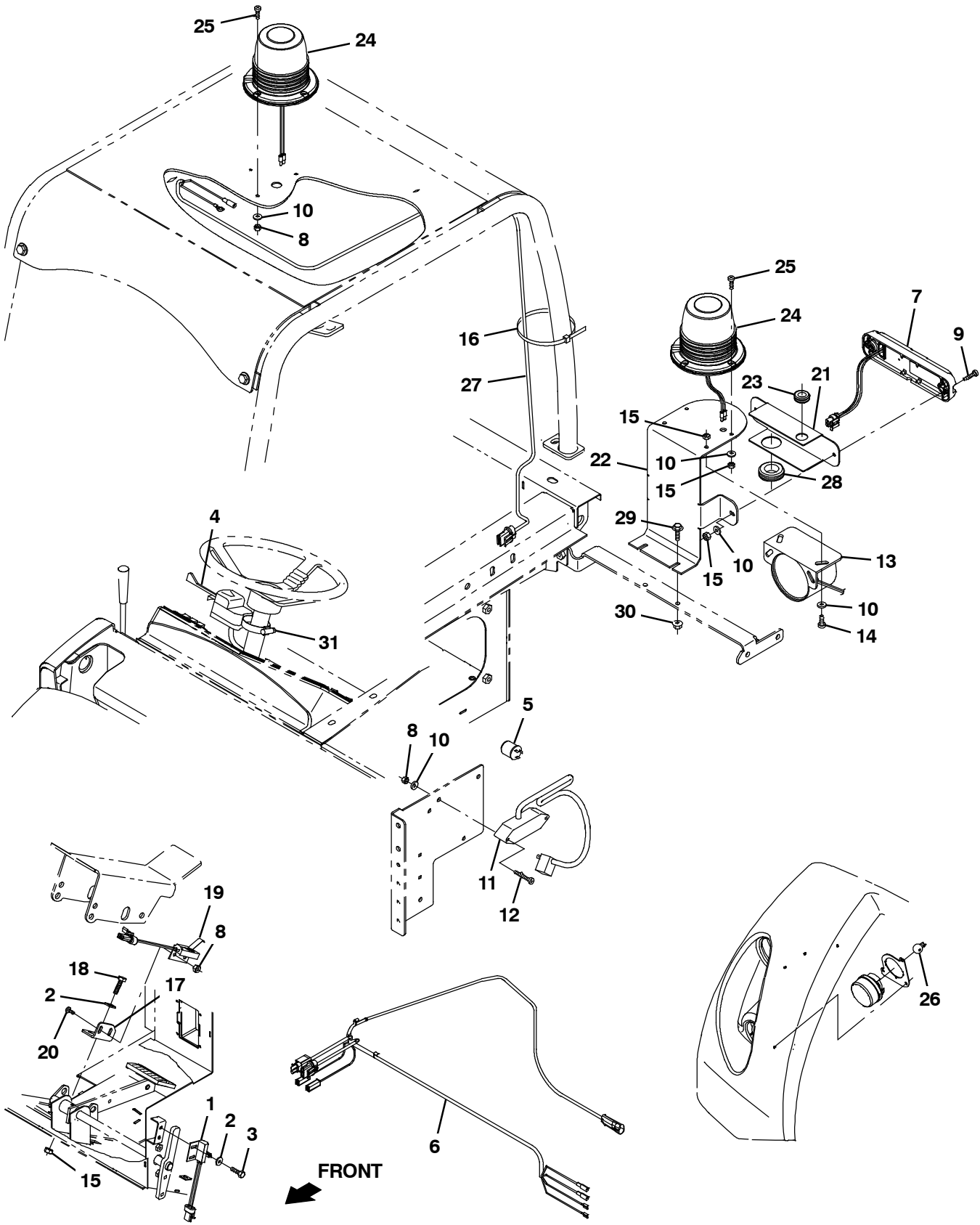
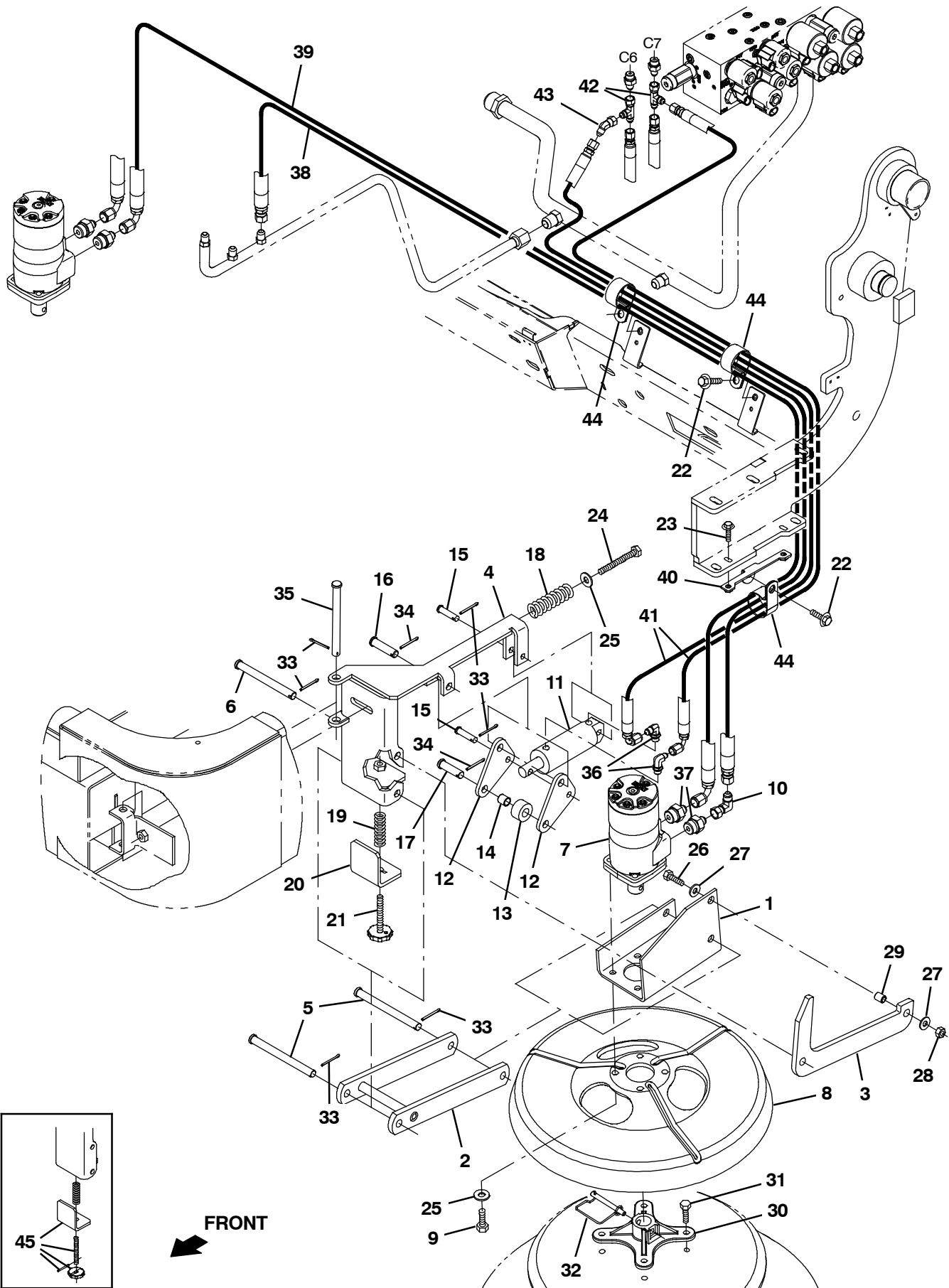


Fig. 2 - Outdoor Light Kit

Ref.	Part No.	Serial Number	Description	Qty.
▽	9008198	(006501-	) Light Kit, outdoor, Ci [S30]	1
▲	1 1040019	(006501-	) Switch, Limit, 15a, Nc	1
▲	2 32483	(006501-	) Washer, Flat, 0.25, Sae	4
▲	3 09244	(006501-	) Screw, Hex, M5 X 0.80 X 16, 8.8	2
▲	4 60751	(006501-	) Switch, Turn Signal	1
▲	5 31922	(006501-	) Flasher, Hd, 12vdc 25a [10- 57300]	1
▲	6 1034191	(006501-	) Harness, Backup, Rev [S30]	1
▲	7 1036173	(006501-	) Light, Led, White, 12- 24vdc	1
▲	8 06549	(006501-	) Nut, Hex, Lock, M5 X 0.80, NI	8
▲	9 06935	(006501-	) Screw, Pan, Phl, M5 X 0.80 X 25, 4.8	2
▲	10 19066	(006501-	) Washer, Flat, 10	8
▲	11 1036985	(006501-	) Flasher, 12- 80vdc, 2a	1
▲	12 06938	(006501-	) Screw, Pan, Phl, M5 X 0.80 X 40, 4.8	2
▲	13 9007131	(006501-	) Alarm Assy, Backup, 12- 24vdc 82- 107dba	1
▲	14 09145	(006501-	) Screw, Pan, Phl, M6 X 1.00 X 16, 4.8	2
▲	15 07785	(006501-	) Nut, Hex, Std, M6 X 1.00, Ss	4
▲	16 49266	(006501-	) Tie, Cable, Nyl, 07.3l .19w 1.8 Max D	4
▲	17 1036995	(006501-	) Bracket, Switch, Reverse	1
▲	18 08716	(006501-	) Screw, Hex, M6 X 1.00 X 20, Ss	2
▲	19 1039735	(006501-	) Switch, Snap, 15a No	1
▲	20 06933	(006501-	) Screw, Pan, Phl, M5 X 0.80 X 16, 4.8	2
▲	21 1061203	(006501-	) Bracket, Light	1
▲	22 1061140	(006501-	) Bracket, Alarm, Backup	1
▲	23 10632- 9	(006501-	) Grommet, Rbr, 0.63id, F/0.8h, .12 Matl	1
▲	24 1075296	(006501-	) Light, Flsh, 12vdc, Amb, Rwk	1
▲	25 06933	(006501-	) Screw, Pan, Phl, M5 X 0.80 X 16, 4.8	2
▲	26 1036183	(006501-	) Lamp, Clr, 12vdc [#3157 Series]	2
▲	27 1030973	(006501-	) Harness, Ohg [S30]	1
▲	28 10632- 14	(006501-	) Grommet, Rbr, 1.00id, F/1.4h, .12 Matl	1
▲	29 1036892	(006501-	) Screw, Hex, M6 X 1.00 X 25, 9.8, Sems	2
▲	30 07790	(006501-	) Nut, Hex, Flng, M6 X 1.00	2
▲	31 11531	(006501-	) Clamp, Hose, Wormdrive, 1.06- 2.00d, .56w	1

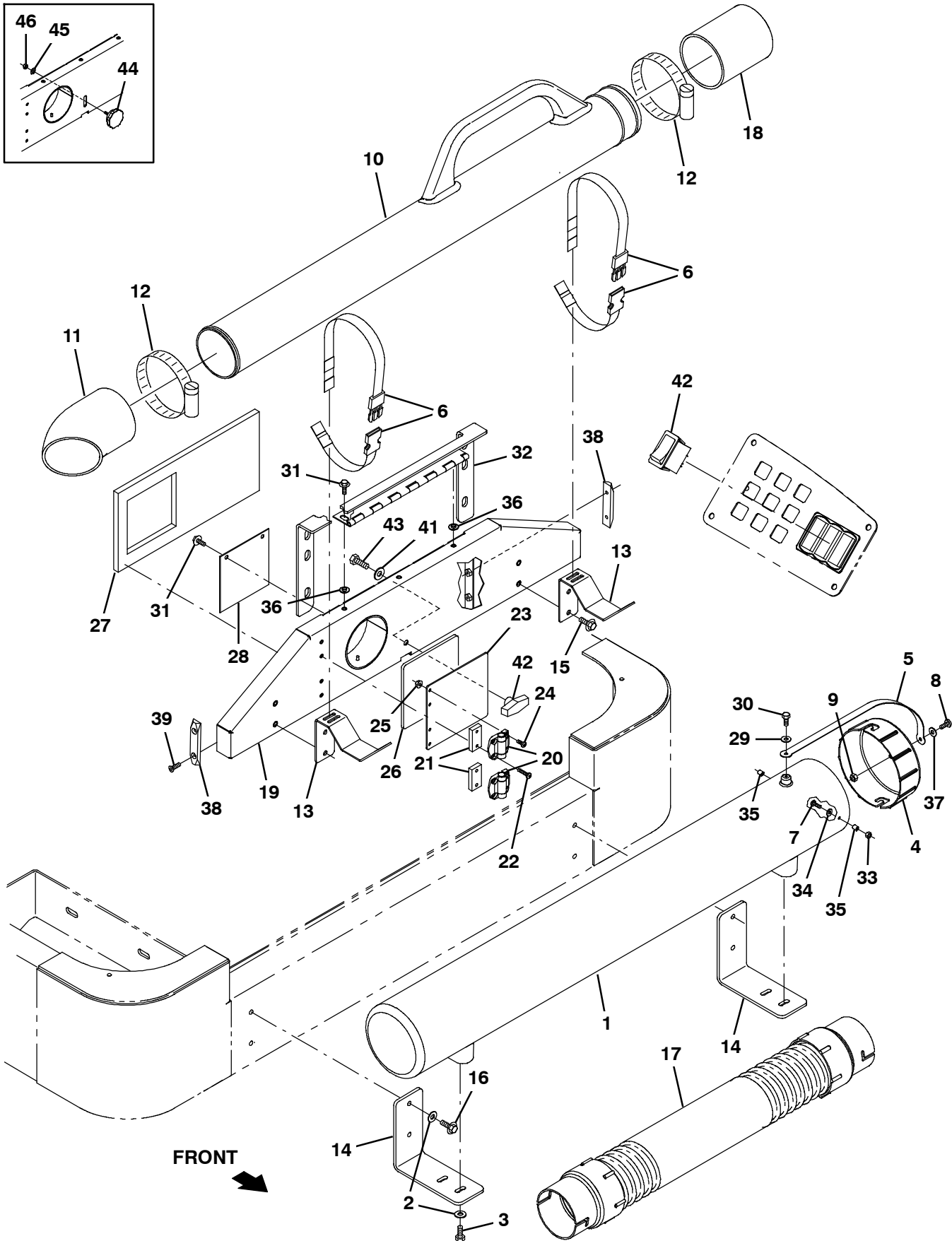
**Fig. 3 - Left Hand Side Brush Kit, S30 XP**



**Fig. 3 - Left Hand Side Brush Kit, S30 XP**

Ref.	Part No.	Serial Number	Description	Qty.
▽	9013113	(006501-	) Brush Kit, Side, Lh, Ci [S30]	1
▲	1 1031916	(006501-	) Bracket, Mtg, Motor, Side Brush	1
▲	2 1029682	(006501-	) Arm Wldt, Brush, Side	1
▲	3 1026459	(006501-	) Arm, Linkage, Side Brush	1
▲	4 1039649	(006501-	) Pivot Wldt, Brush, Side	1
▲	5 51225	(006501-	) Pin, Clevis, 0.50d X 5.50l	2
▲	6 51538	(006501-	) Pin, Clevis, 0.50d X 5.00l	1
▲	7 1057338	(006501-	) Motor, Hyd, Gear, Int 17.9 Bi- Dir 2500	1
▲	8 1054256	(006501-	) Guard, Brush	1
▲	9 46559	(006501-	) Screw, Hex, .38- 16 X 1.25, NI	4
▲	10 1072195	(006501-	) Fitting, Hyd, E90, Ff06/Fm06	1
▲	11 1041034	(006501-	) Cylinder, Hyd, 1.5b 06.3l 01.50strk 2500	1
▲	12 1026462	(006501-	) Lever, Lift, Brush	2
▲	13 1026525	(006501-	) Tube, 0.59id 1.25od 00.6l, Stl	1
▲	14 59634	(006501-	) Bushing, Sleeve, 0.50b 0.59d 0.62l, Fgl	1
▲	15 29558	(006501-	) Pin, Clevis, 0.37d X 1.50l	2
▲	16 51534	(006501-	) Pin, Clevis, 0.50d X 2.00l	1
▲	17 43290	(006501-	) Pin, Clevis, 0.50d X 1.75l	1
▲	18 45261	(006501-	) Spring, Cmpr, 0.97od .11wir 02.5l	1
▲	19 22290	(006501-	) Spring, Cmpr, 0.72od .06wir 02.3l	1
▲	20 1075439	(008331-	) Angle	1
▲	21 1075444	(008331-	) Knob, Assy, Sb Xp	1
▲	22 1037346	(006501-	) Screw, Hex, M8 X 1.25 X 25, 9.8, Sems	3
▲	23 1037345	(006501-	) Screw, Hex, M6 X 1.00 X 30, 9.8, Sems	2
▲	24 06965	(006501-	) Screw, Hex, M10 X 1.5 X 80, 8.8	1
▲	25 32492	(006501-	) Washer, Flat, 0.38, Std	5
▲	26 76570	(006501-	) Screw, Hex, M8 X 1.25 X 30, 8.8	1
▲	27 32491	(006501-	) Washer, Flat, 0.31, Std	2
▲	28 08709	(006501-	) Nut, Hex, Lock, M8 X 1.25, NI	1
▲	29 80395	(006501-	) Sleeve, P/M, 0.31b 0.50d 0.7l [430ss]	1
▲	30 47501	(006501-	) Hub, Adapter, Brush, 1.00b	1
▲	31 39394	(006501-	) Screw, Hex, .31- 09 X 1.25, Wood	4
▲	32 84581	(006501-	) Pin Assy, Side Brush W/ Clip	1
▲	33 08182	(006501-	) Pin, Cotter, .125 X 1.00	6
▲	34 39005	(006501-	) Pin, Cotter, .094 X 0.75	2
▲	35 222196	(006501-	) Pin, Clevis, 0.50d X 4.25l	1
▲	36 762427	(006501-	) Fitting, Hyd, E90, Fm04/Om04	2
▲	37 762439	(006501-	) Fitting, Hyd, Str, Fm06/Om10	2
▲	38 1067661	(006501-	) Hose, Hyd, Tc06, Ff06e90/Ff06str, 102.0	1
▲	39 1067105	(006501-	) Hose, Hyd, Tc08, Ff06e90/Ff06str, 134.0	1
▲	40 1213656	(006501-	) Bracket, Wldt, Mtg, Hyd	2
▲	41 1067088	(006501-	) Hose, Hyd, Tc04, Ff04e90/Ff04str, 126.0	2
▲	42 767422	(006501-	) Fitting, Hyd, Tee, Ff04/Fm04/Fm04, Run	2
▲	43 1011123	(006501-	) Fitting, Hyd, E45, Ff04/Fm04	1
▲	44 53468	(006501-	) Clamp, Cable, Stl, 1.75d X 1.00w, 1hole	3
▲	45 9015652	(006501- 008330 )	) Knob Kit, Repair Side Brush	1

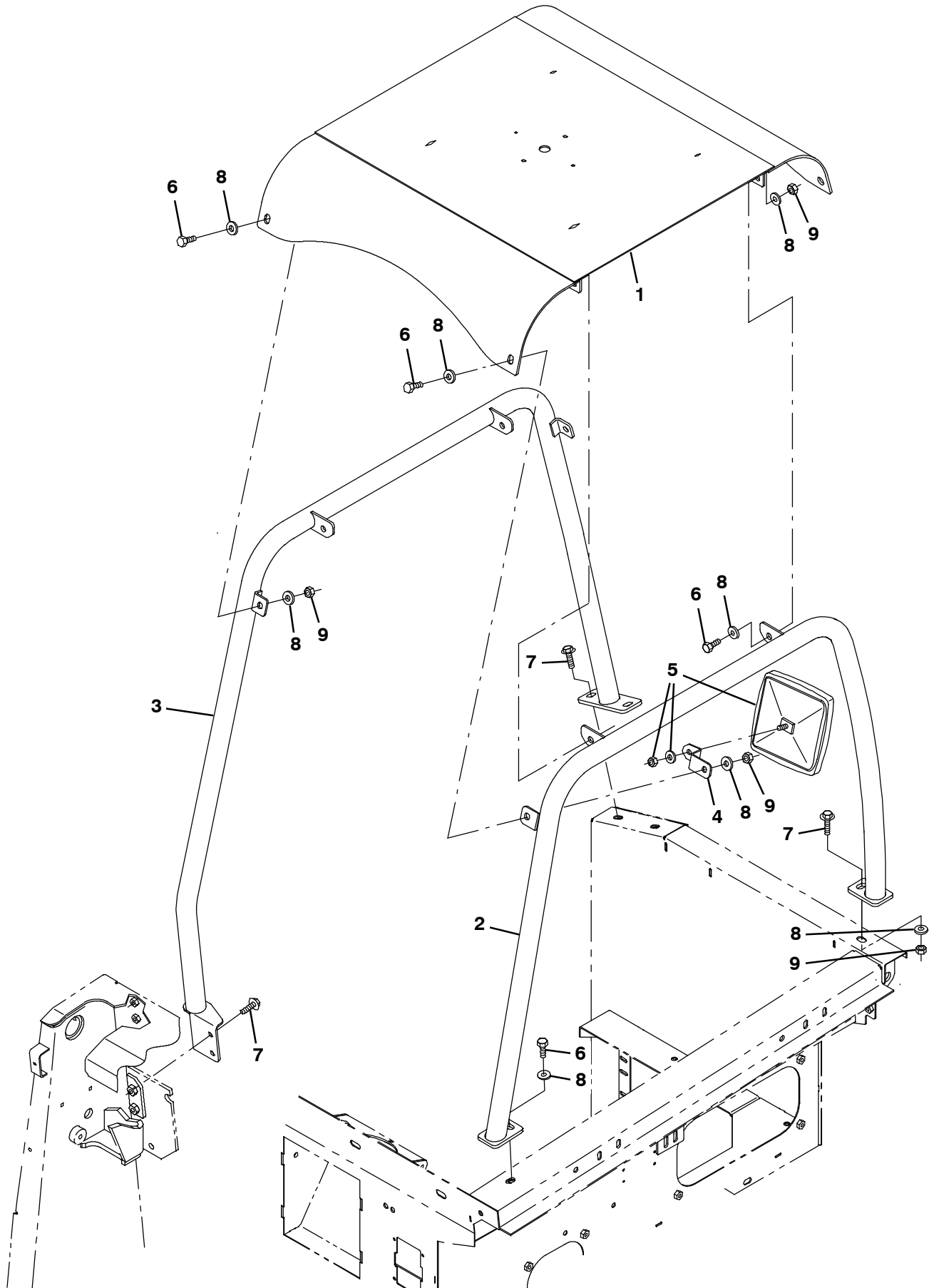
Fig. 4 - Vacuum Wand Kit



**Fig. 4 - Vacuum Wand Kit**

Ref.	Part No.	Serial Number	Description	Qty.
▽	9013873	(006501-	) Wand Kit, Vacuum, Ci [Roto. S30]	1
▲	1 1032752	(006501-	) Tube, Hose	1
▲	2 32491	(006501-	) Washer, Flat, 0.31, Std	8
▲	3 16931	(006501-	) Screw, Hex, M8 X 1.25 X 20, 8.8	4
▲	4 1041473	(006501-	) Cap, Enclosure, Hose	1
▲	5 1041754	(006501-	) Strap, Cap, Enclosure	1
▲	6 367974	(006501-	) Strap, Pyp, 0.07 1.0w 18.5l, W/ Buckle	2
▲	7 06934	(006501-	) Screw, Pan, Phl, M5 X 0.80 X 20, 4.8	2
▲	8 09145	(006501-	) Screw, Pan, Phl, M6 X 1.00 X 16, 4.8	1
▲	9 08708	(006501-	) Nut, Hex, Lock, M6 X 1.00, NI	1
▲	10 1032584	(006501-	) Wand, Vacuum	1
▲	11 1032707	(006501-	) Hose, Nozzle, Floor	1
▲	12 79380	(006501-	) Clamp, Hose, Wormdrive, 3.75- 4.62d, .62w	2
▲	13 1214153	(006501-	) Bracket, Mtg, Wand	2
▲	14 1046993	(006501-	) Bracket, Mtg, Tube	2
▲	15 1020341	(006501-	) Screw, Hex, M8 X 1.25 X 20, Ss, Sems	4
▲	16 763045	(006501-	) Screw, Hex, M8 X 1.25 X 20, Fmg	4
▲	17 1042718	(006501-	) Hose Assy, W/2cuff, 4.0d 156l 4.0/4.0	1
▲	18 1041882	(006501-	) Hose, Rbr	1
▲	19 9013446	(006501-	) Door Wldt, Hppr, Vac- Wand, Replmt, Na	1
▲	19 9013447	(006501-	) Door Wldt, Hppr, Vac- Wand, Replmt, Ce	1
▲	19 9013448	(006501-	) Door Wldt, Hppr, Vac- Wand, Replmt, Jp	1
▲	20 367950	(006501-	) Hinge, .40pin 2.2w 02.0l, 4/0.21h	2
▲	21 1214152	(006501-	) Block, Spacer, Hinge	2
▲	22 06935	(006501-	) Screw, Pan, Phl, M5 X 0.80 X 25, 4.8	4
▲	23 1214258	(006501-	) Door , Vacuum	1
▲	24 06932	(006501-	) Screw, Pan, Phl, M5 X 0.80 X 10, 4.8	4
▲	25 07789	(006501-	) Nut, Hex, Fling, M5 X 0.80	4
▲	26 1039007	(006501-	) Seal, Ure, .25, 06.0w 06.0l, Adh	1
▲	27 1035660	(006501-	) Gasket, Ure, .50, 07.47w, 15.47l, Adh	1
▲	28 1039038	(006501-	) Flap, Wand, Vacuum	1
▲	29 01683	(006501-	) Washer, Flat, 10, Ss	1
▲	30 383000	(006501-	) Screw, Hex, 12- 16 X 0.75	1
▲	31 1040467	(006501-	) Screw, Hex, M6 X 1.00 X 20, 9.8, Sems	4
▲	32 1214034	(006501-	) Bracket Wldt, Door, Front	1
▲	33 06549	(006501-	) Nut, Hex, Lock, M5 X 0.80, NI	2
▲	34 19066	(006501-	) Washer, Flat, 0.25b 0.56d .05, Pl, 10	2
▲	35 610943	(006501-	) Sleeve, P/M, 0.22b 0.32d 0.4l, Pl	2
▲	36 1213565	(006501-	) Sleeve, Flange	2
▲	37 01684	(006501-	) Washer, Flat, 0.27b 0.69d .05, Ss	1
▲	38 1213971	(006501-	) Block, Nylon	2
▲	39 09062	(006501-	) Screw, Flt, Soc, M6 X 1.00 X 16, 10.9	4
▲	40 04706	(006784-	) Knob, Tee, 0.38- 16, 2.5 X 1.0 1.1l,Plstc	1
▲	41 32485	(006784-	) Washer, Flat, 0.38, Sae	1
▲	42 397889	(006501-	) Switch, Rocker, Dpst, On / None / On (S30 ONLY)	1
▲	43 21195	(006784-	) Screw, Hex, .38- 16 X 0.75, G5	1
	44 1047543	(006501- 006783 )	Knob, Rnd, 2.38d 0.88l M6 X 1.0, Plstc	1
	45 32490	(006501- 006783 )	Washer, Flat, 0.25, Std	1
	46 08708	(006501- 006783 )	Nut, Hex, Lock, M6 X 1.00, NI	1

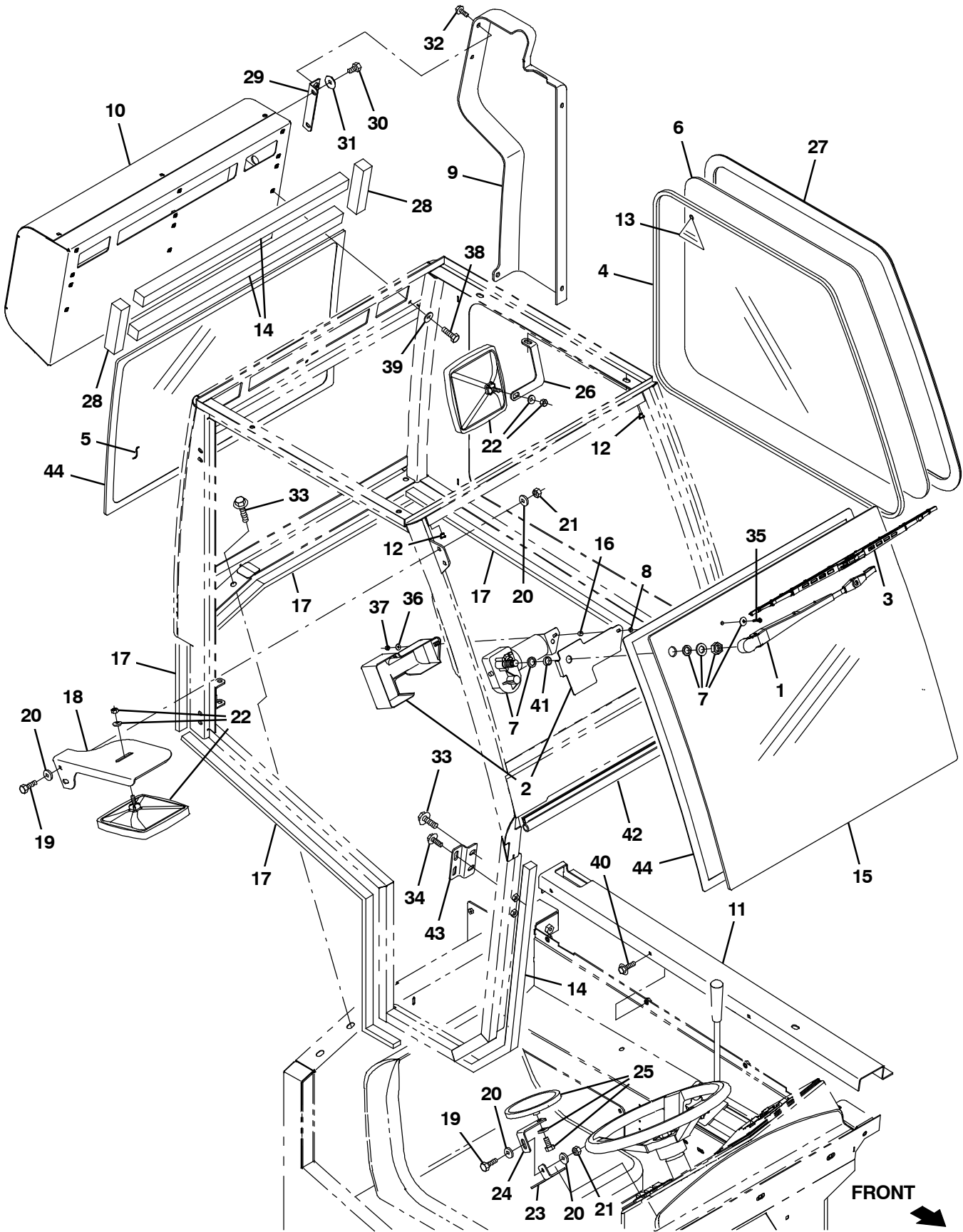
Fig. 5 - Overhead Guard Kit



**Fig. 5 - Overhead Guard Kit**

	<b>Ref.</b>	<b>Part No.</b>	<b>Serial Number</b>	<b>Description</b>	<b>Qty.</b>
▽		9008200	(006501-	) Ohg Kit, Ci [S30]	1
▲	1	1032262	(006501-	) Guard Wldt, Ohg, Top	1
▲	2	1032067	(006501-	) Leg Wldt, Guard, Lh	1
▲	3	1061016	(006501-	) Leg Wldt, Guard, Rh	1
▲	4	1032722	(006501-	) Bracket, Mtg, Mirror	1
▲	5	49034	(006501-	) Mirror, Convex, 06.7 X 06.2	1
▲	6	39283	(006501-	) Screw, Hex, M10 X 1.5 X 25, 8.8	8
▲	7	1037358	(006501-	) Screw, Hex, M10 X 1.50 X 35, 9.8, Sems	5
▲	8	32492	(006501-	) Washer, Flat, 0.38, Std	17
▲	9	41430	(006501-	) Nut, Hex, Lock, M10 X 1.5, NI	9

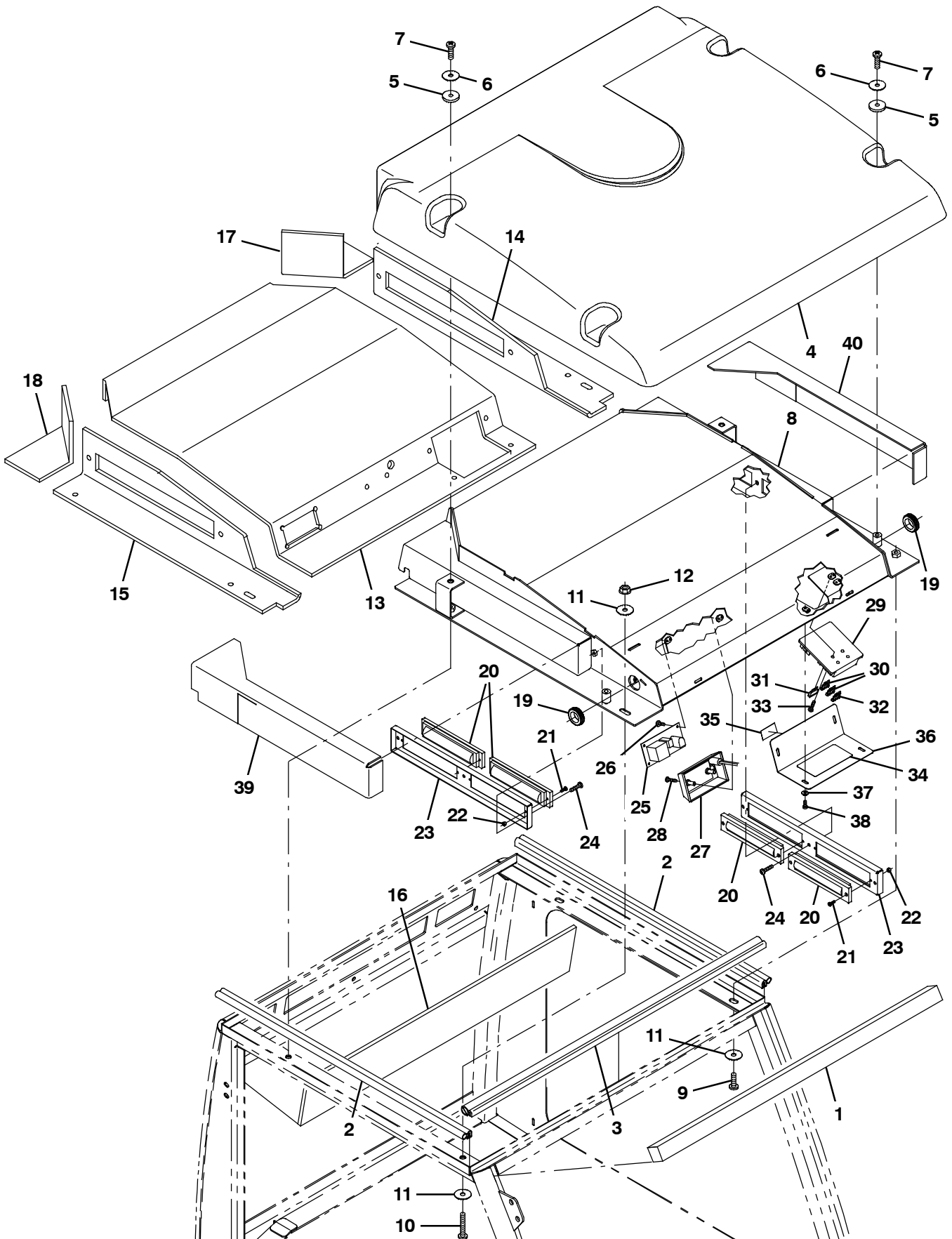
Fig. 6 - Cab Group



**Fig. 6 - Cab Group**

<b>Ref.</b>	<b>Part No.</b>	<b>Serial Number</b>	<b>Description</b>	<b>Qty.</b>
1	1250704	(006501-	) Arm, Wiper, Windshield [280- 380mm ADJ]	1
2	1067891	(006501-	) Plate, Motor, Wiper, Cab	1
3	1250690	(006501-	) Blade, Wiper, Windshield, 20.0"	1
4	9009219	(006501-	) Seal, Afmkt, Rbr, Wndw, 10ft [Zipper]	1
5	1067875	(006501-	) Pane, Glass, Wndw, Rear	1
6	1067874	(006501-	) Pane, Glass, Wndw, Lh Side, Cab	1
7	1067872	(006501-	) Motor, Wiper, Cab	1
8	76426	(006501-	) Washer, Sealing, 0.28b 0.75d Ss, Neo	1
9	1067869	(006501-	) Cover, Hose, Plstc, Cab	1
10	1067918	(006501-	) Heater Unit, W/ A/C & Fan (See Breakdowns)	1
11	1060586	(006501-	) Lip Wldt, Oprtr Station / Cab	1
12	80061	(006501-	) Plug, Hole, Rnd, 0.30h 0.3l	2
13	1067911	(006501-	) Label, Info [Exit]	1
14	1069688	(006501-	) Seal, Afmkt, Foam, 1.18 X 1.18, 03ft	2
15	1067878	(006501-	) Pane, Glass, Wndw, Front	1
16	1069211	(006501-	) Spacer, Plstc, 0.18b 0.27d 0.27l	1
17	1069681	(006501-	) Seal, Foam, .50, 1.00w 72.00l, Adh	1
18	1049061	(006501-	) Bracket, Mtg, Mirror	1
19	09740	(006501-	) Screw, Hex, M8 X 1.25 X 20, Ss	3
20	39349	(006501-	) Washer, Flat, 0.31, Sae	6
21	08713	(006501-	) Nut, Hex, Lock, M8 X 1.25, NI, Ss	3
22	49034	(006501-	) Mirror, Convex, 06.7 X 06.2	2
23	1048740	(006501-	) Bracket, Mtg, Mirror, Lower	1
24	1049017	(006501-	) Bracket, Mtg, Mirror, Upper	1
25	1050295	(006501-	) Mirror, Convex, 0.50d	1
26	1048743	(006501-	) Bracket, Mtg, Mirror	1
27	9009218	(006501-	) Seal, Afmkt, Rbr, Wndw, 10ft	1
28	1069687	(006501-	) Seal, Afmkt, Foam, 1.18 X 1.18, 01ft	2
29	1066952	(006501-	) Bracket, Mtg, Cover	1
30	16735	(006501-	) Screw, Hex, M8 X 1.25 X 16, 8.8	2
31	1069326	(006501-	) Washer, Flat, 0.31, Sae, Blk	2
32	1040467	(006501-	) Screw, Hex, M6 X 1.00 X 20, 9.8, Sems	5
33	1037358	(006501-	) Screw, Hex, M10 X 1.50 X 35, 9.8, Sems	6
34	1037346	(006501-	) Screw, Hex, M8 X 1.25 X 25, 9.8, Sems	2
35	1069316	(006501-	) Screw, Pan, Phl, M4 X 0.70 X 20, Blk	1
36	1059252	(006501-	) Washer, Flat, 0.19b 0.50d .03, Stl, Blk	2
37	02850	(006501-	) Nut, Hex, Lock, M4 X 0.70, NI	1
38	39277	(006501-	) Screw, Hex, M8 X 1.25 X 25, 8.8	6
39	32491	(006501-	) Washer, Flat, 0.31, Std	6
40	1037346	(006501-	) Screw, Hex, M8 X 1.25 X 25, 9.8, Sems	3
41	1069210	(006501-	) Spacer, Plstc, 0.62b 0.75d 0.27l	1
42	1031616	(006501-	) Seal, Afmkt, Bulb, Str, .75d F/07ga 03ft	1
43	1069232	(006501-	) Bracket, Mtg, Cab	1
44	1227836	(006501-	) Molding, Afmkt, Trim, Wndw, Glass, 12ft	1

Fig. 7 - Cab Cover Group



**Fig. 7 - Cab Cover Group**

<b>Ref.</b>	<b>Part No.</b>	<b>Serial Number</b>	<b>Description</b>	<b>Qty.</b>
1	1069688	(006501-	) Seal, Afmkt, Foam, 1.18 X 1.18, 03ft	1
2	1031207	(006501-	) Seal, Afmkt, Bulb, 90, 0.50d, 03ft	2
3	1030592	(006501-	) Seal, Afmkt, Bulb, 90, 0.75d F/11ga 03ft	1
4	1067873	(006501-	) Panel, Roof, Plstc, Cab	1
5	1067887	(006501-	) Washer, Cab, Shld, Glass	4
6	1069326	(006501-	) Washer, Flat, 0.31, Sae, Blk	4
7	1031665	(006501-	) Screw, Pan, Phl, M8 X 1.25 X 25, Blk	4
8	1067217	(006501-	) Panel Wldt, Top, Cab	1
9	1069310	(006501-	) Screw, Pan, Phl, M8 X 1.25 X 25, Blk	2
10	1069201	(006501-	) Screw, Pan, Phl, M8 X 1.25 X 50, Blk	2
11	1060648	(006501-	) Washer, Flat, 0.31b 0.67d .07, Stl, Blk	5
12	07791	(006501-	) Nut, Hex, Flng, M8 X 1.25	1
13	1068687	(006501-	) Insulation, Sound, Liner, Top	1
14	1068690	(006501-	) Insulation, Sound, Liner, Lh	1
15	1068689	(006501-	) Insulation, Sound, Liner, Rh	1
16	1068688	(006501-	) Insulation, Sound, Liner	1
17	1069229	(006501-	) Insulation, Sound, Liner, Side, Lh	1
18	1069231	(006501-	) Insulation, Sound, Liner, Side, Rh	1
19	10632	(006501-	) Grommet, Rbr, 0.89id, F/1.2h, .14 Matl	2
20	1074108	(006501-	) Louver, Nozzle, Spindle, Blk	4
21	1069314	(006501-	) Screw, Pan, Phl, M3 X 0.50 X 12, Blk	8
22	01754	(006501-	) Nut, Hex, Std, M3 X 0	8
23	1066933	(006501-	) Plate, Vent	2
24	1069318	(006501-	) Screw, Pan, Phl, M5 X 0.80 X 25, Blk	6
25	1068751	(006501-	) Controls, Ac/Heater [S30]	1
26	1069315	(006501-	) Screw, Pan, Phl, M4 X 0.70 X 10, Blk	4
27	1067886	(006501-	) Light, Dome, Cab	1
28	1069317	(006501-	) Screw, Pan, Phl, M4 X 0.70 X 25, Blk	1
29	1067870	(006501-	) Fuseholder, Cab	1
30	1016029	(006501-	) Fuse, Blade, 005a, 32vdc	2
31	611140	(006501-	) Fuse, Blade, 020a, 32vdc	1
32	1067917	(006501-	) Fuse, Blade, 002a, 32vdc	1
33	1069317	(006501-	) Screw, Pan, Phl, M4 X 0.70 X 25, Blk	4
34	1067910	(006501-	) Label [Fuse Block]	1
35	1069330	(006501-	) Label, Circuitbreaker [Fuse Box]	1
36	1066972	(006501-	) Cover, Fuse	1
37	1059252	(006501-	) Washer, Flat, 0.19b 0.50d .03, Stl, Blk	4
38	1069315	(006501-	) Screw, Pan, Phl, M4 X 0.70 X 10, Blk	4
39	1072046	(006501-	) Insulation, Heat, Liner, Rh	1
40	1072047	(006501-	) Insulation, Heat, Liner, Lh	1

Fig. 8 - Cab Door Group

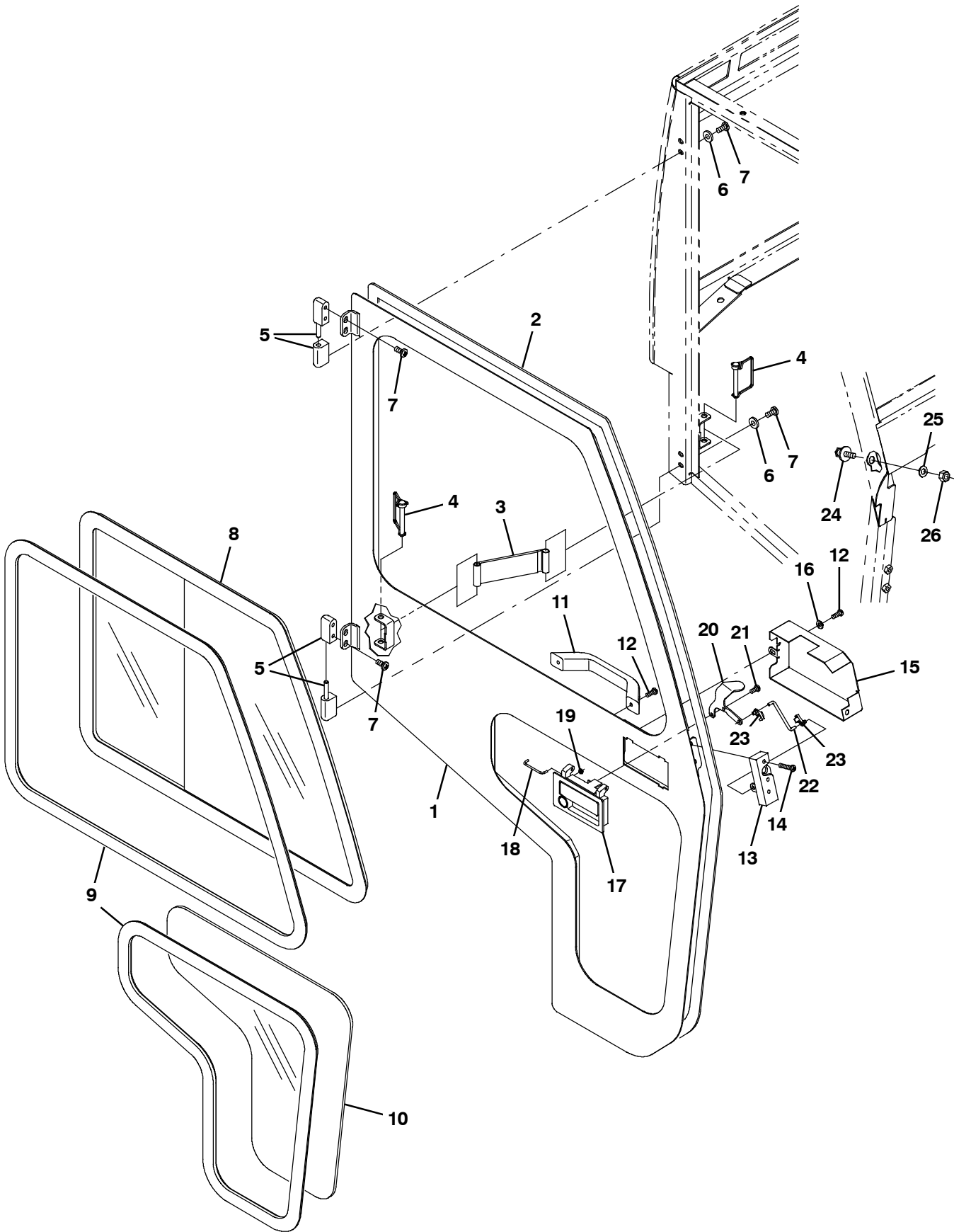
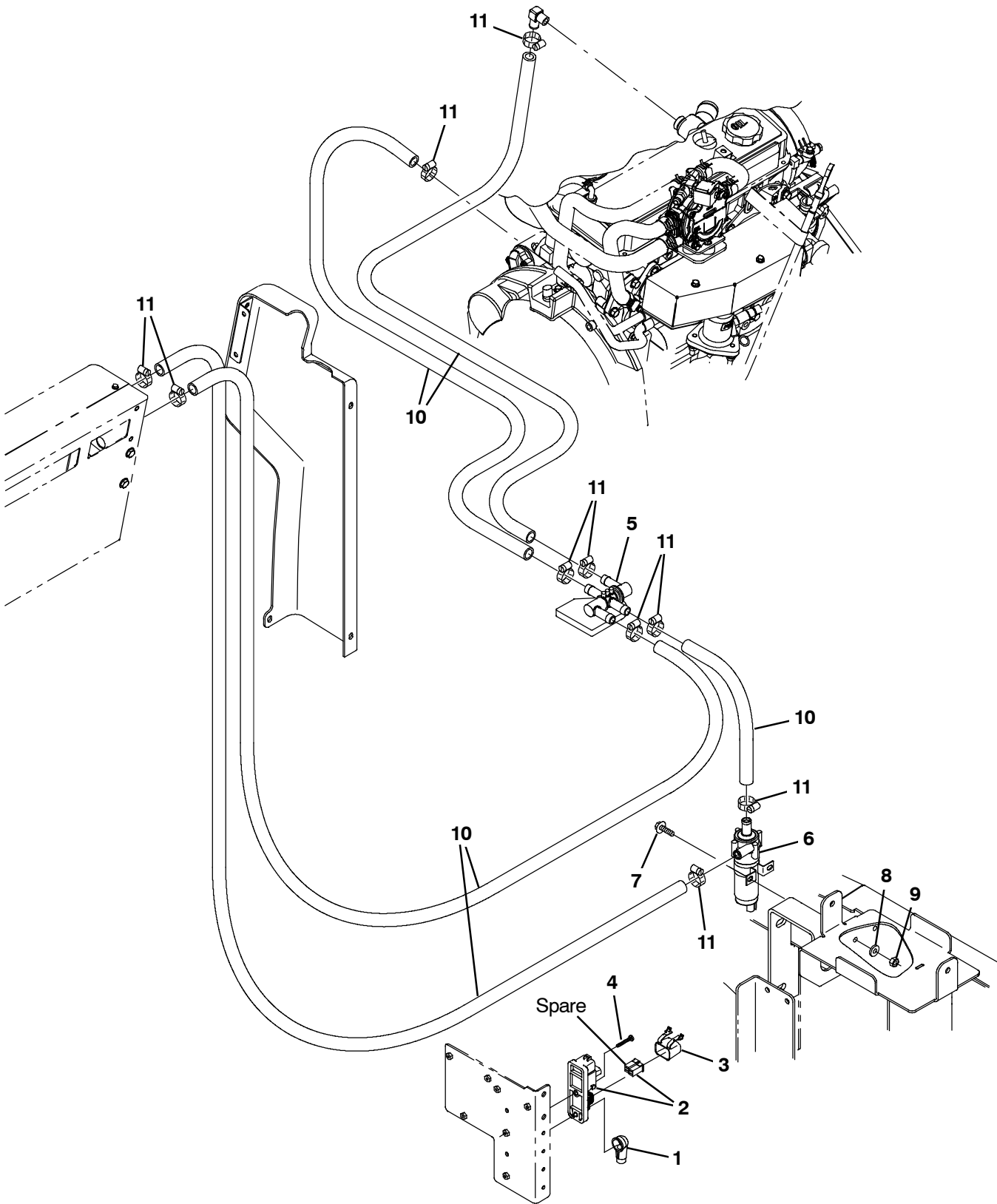


Fig. 8 - Cab Door Group

Ref.	Part No.	Serial Number	Description	Qty.
▽	9014656	(006501-	) Door Assy, Cab [S30]	1
▲	1 1067216	(006501-	) Door Wldt, Rh	1
▲	2 1030601	(006501-	) Seal, Afmkt, Bulb, 90, 0.75d F/11ga 20ft	1
▲	3 1067895	(006501-	) Strap, Door, Cab	1
▲	4 1067881	(006501-	) Pin, Lock, Cab	2
▲	5 1067879	(006501-	) Hinge, Bracket, Door, Cab	2
▲	6 1069326	(006501-	) Washer, Flat, 0.31, Sae, Blk	4
▲	7 1069311	(006501-	) Screw, Pan, Phl, M8 X 1.25 X 16, Blk	8
▲	8 1067877	(006501-	) Pane, Wndw, Slide, Rh, Cab	1
▲	9 9009220	(006501-	) Seal, Afmkt, Rbr, Wndw, 08ft	2
▲	10 1067876	(006501-	) Pane, Wndw, Lower, Cab	1
▲	11 1067889	(006501-	) Handle, Door, Cab	1
▲	12 1069312	(006501-	) Screw, Pan, Phl, M6 X 1.0 X 16, Blk	4
▲	13 1067885	(006501-	) Latch, Cab	1
▲	14 1069313	(006501-	) Screw, Pan, Phl, M6 X 1.0 X 35, Blk	3
▲	15 1066980	(006501-	) Cover, Latch	1
▲	16 1069322	(006501-	) Washer, Flat, 0.25, Sae, Blk	2
▲▽	17 1067890	(006501-	) Handle, Locking, Cab	1
▲▲	1067919	(006501-	) Key, Latch, Door Assy	1
▲	18 1062944	(006501-	) Rod, Handle, Cab	1
▲	19 1067907	(006501-	) Retainer, Shaft, 0.12id .38od X .052	1
▲	20 1066957	(006501-	) Bracket, Handle, Latch	1
▲	21 74027	(006501-	) Screw, Pan, Phl, M6 X 1.00 X 12, NI, PI	2
▲	22 1062952	(006501-	) Rod, Latch, Cab	1
▲	23 1067880	(006501-	) Clip, Rod, Cab	2
▲	24 1067884	(006501-	) Stud, Strike, Cab	1
▲	25 32492	(006501-	) Washer, Flat, 0.38, Std	1
▲	26 25014	(006501-	) Nut, Hex, Std, .38- 16	1

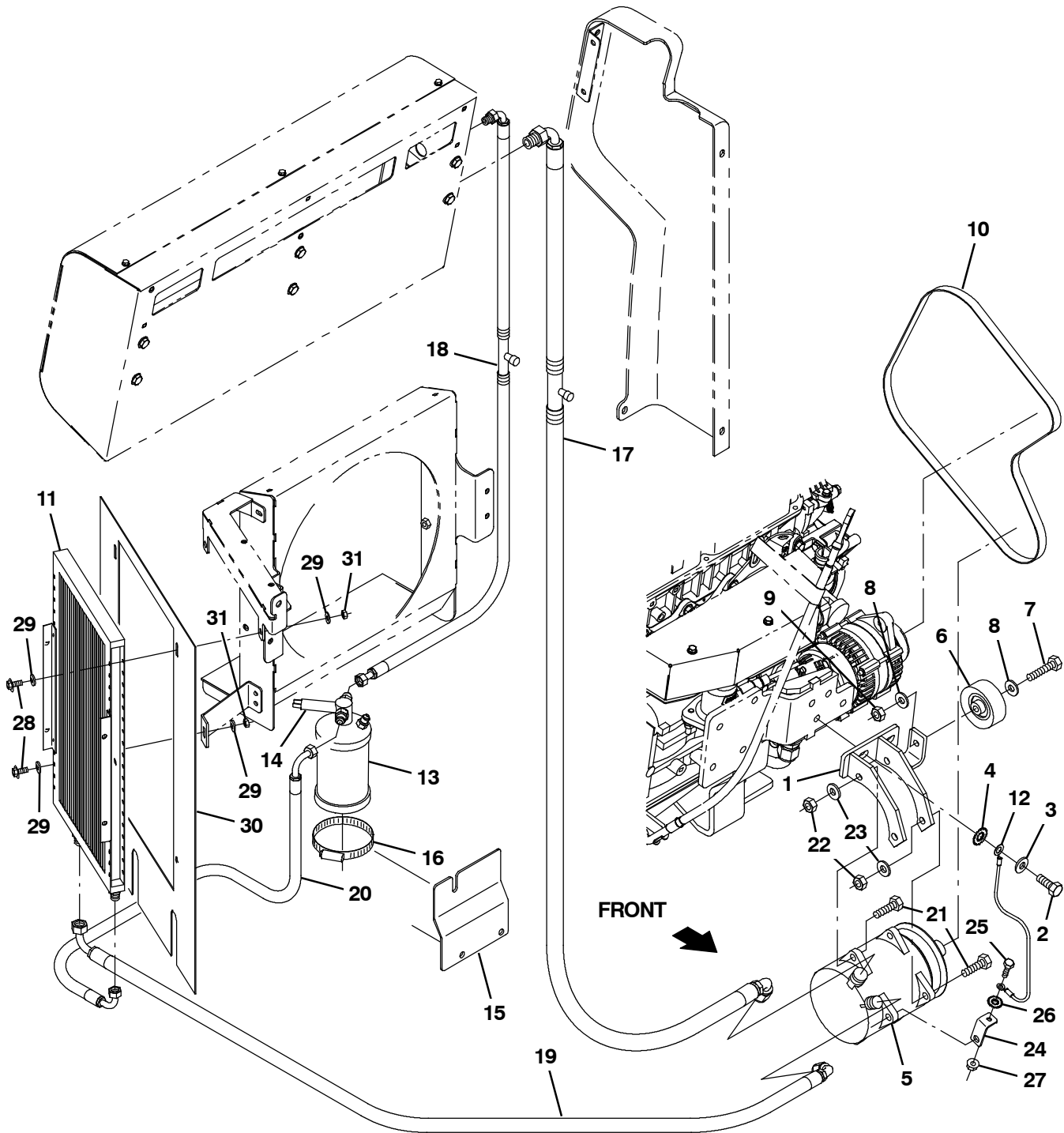
Fig. 9 - Cab Heater Group



**Fig. 9 - Cab Heater Group**

<b>Ref.</b>	<b>Part No.</b>	<b>Serial Number</b>	<b>Description</b>	<b>Qty.</b>
1	1016314	(006501-	) Boot, 90deg .50id 1.00id 2.50l, Red	1
▽ 2	1029105	(006501-	) Relay Assy, 12vdc [2f/1r]	1
▲ 3	1036230	(006501-	) Fuse, 60a, 32vdc [Fem Maxi]	1
4	06940	(006501-	) Screw, Pan, Phl, M5 X 0.80 X 50, 4.8	1
5	1045063	(006501-	) Valve, Heater	1
6	1044279	(006501-	) Pump Assy, Water, 12vdc	1
7	222159	(006501-	) Screw, Hex, M6 X 1.00 X 25, Fmg	2
8	32490	(006501-	) Washer, Flat, 0.25, Std	2
9	08708	(006501-	) Nut, Hex, Lock, M6 X 1.00, NI	2
10	1016563	(006501-	) Hose, Afmkt, Rbr, Heater, 0.62id, 20ft	1
11	63810	(006501-	) Clamp, Hose, Wormdrive, 0.56- 1.06d, .56w	8

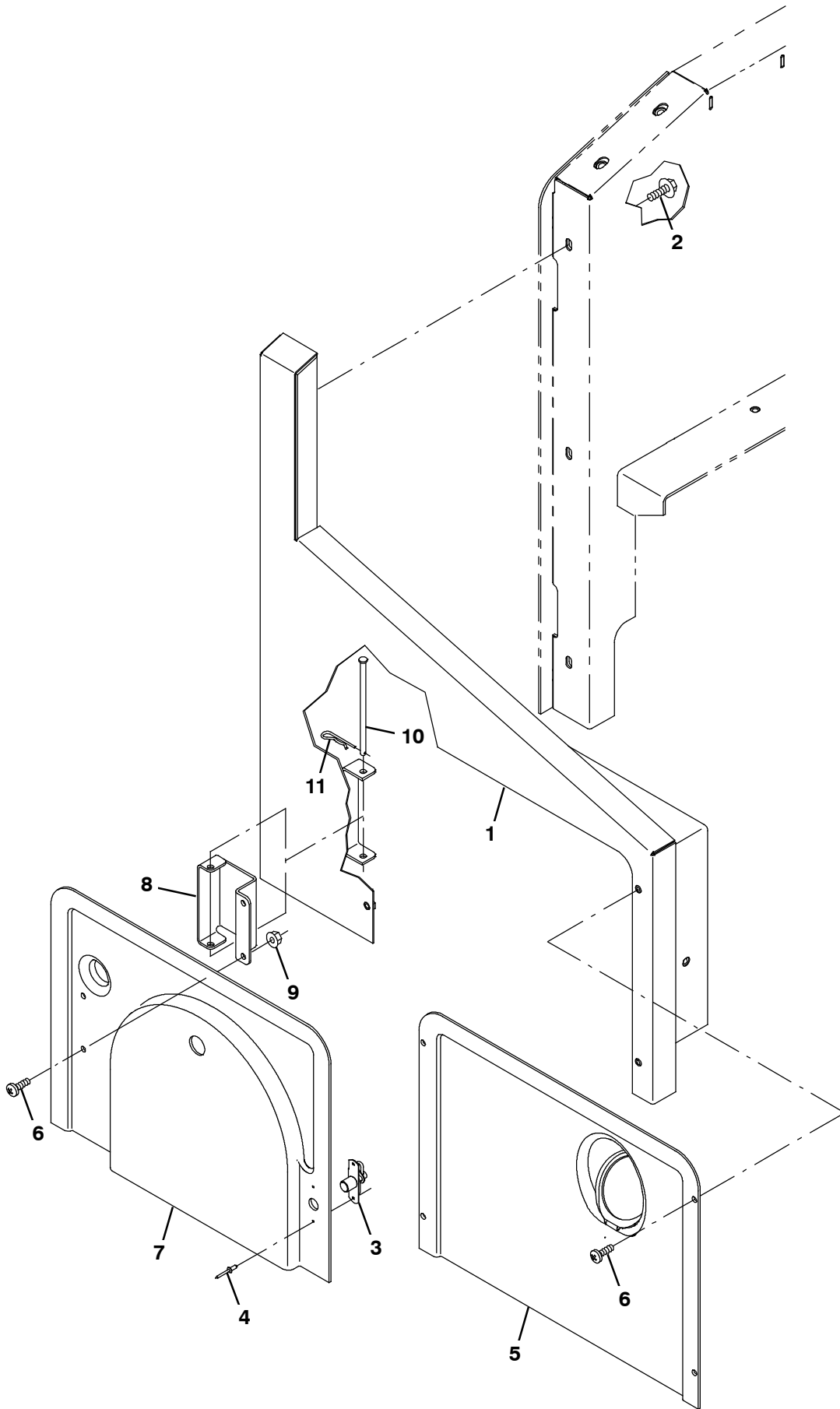
Fig. 10 - Cab Air Conditioner Group



**Fig. 10 - Cab Air Conditioner Group**

<b>Ref.</b>	<b>Part No.</b>	<b>Serial Number</b>	<b>Description</b>	<b>Qty.</b>
1	1071141	(006501-	) Bracket Wldt, Mtg, Compressor	1
2	39283	(006501-	) Screw, Hex, M10 X 1.50 X 25, 8.8	4
3	32492	(006501-	) Washer, Flat, 0.38, Std	3
4	41141	(006501-	) Washer, Lock, Int- Ext, 0.31	1
5	1045009	(006501-	) Compressor, A/C, 6v Pully [134, Tm- 08hd]	1
6	1030782	(006501-	) Pulley, Idler, Tens, Belt	1
7	27990	(006501-	) Screw, Hex, .38- 16 X 2.00, G5	1
8	32485	(006501-	) Washer, Flat, 0.38, Sae	2
9	50902	(006501-	) Nut, Hex, Lock, .38- 16, NI	1
10	1071681	(006501-	) Belt, Ribbed, Alternator, A/C, 51.125l	1
11	1041870	(006501-	) Condenser, Ac	1
12	31525	(006501-	) Wire, 10ga 16.0l Blk .25ring /.38ring	1
13	1045033	(006501-	) Dryer, A/C	1
14	1045203	(006501-	) Switch, A/C [Binary]	1
15	1045681	(006501-	) Bracket, Sppt	1
16	43555	(006501-	) Clamp, Hose, Wormdrive, 2.50- 3.50d, .50w	1
17	1071865	(006501-	) Hose, A/C, 10, E90/E90, 060.0l [R134]	1
18	1071864	(006501-	) Hose, A/C, 06, Str/E90, 052.0l [R134]	1
19	1071883	(006501-	) Hose, A/C, 08, E90/E90, 052.0l [R134]	1
20	1045156	(006501-	) Hose, A/C, 06, E90/E90, 043.0l [R134]	1
21	39284	(006501-	) Screw, Hex, M10 X 1.25 X 35, 8.8	4
22	41430	(006501-	) Nut, Hex, Lock, M10 X 1.5, NI	4
23	41187	(006501-	) Washer, Flat, Belleville, .38	4
24	1047225	(006501-	) Angle, Mtg, Ground	1
25	87308	(006501-	) Screw, Hex, M6 X 1.00 X 12, 8.8	1
26	41140	(006501-	) Washer, Lock, Int- ext, 0.25	1
27	07790	(006501-	) Nut, Hex, Fing, M6 X 1.00	1
28	55845	(006501-	) Screw, Hex, M5 X 0.80 X 16, Fmg	4
29	19066	(006501-	) Washer, Flat, 10	8
30	1072054	(006501-	) Skirt, A/C	1
31	08708	(006501-	) Nut, Hex, Lock, M6 X 1.00, NI	4

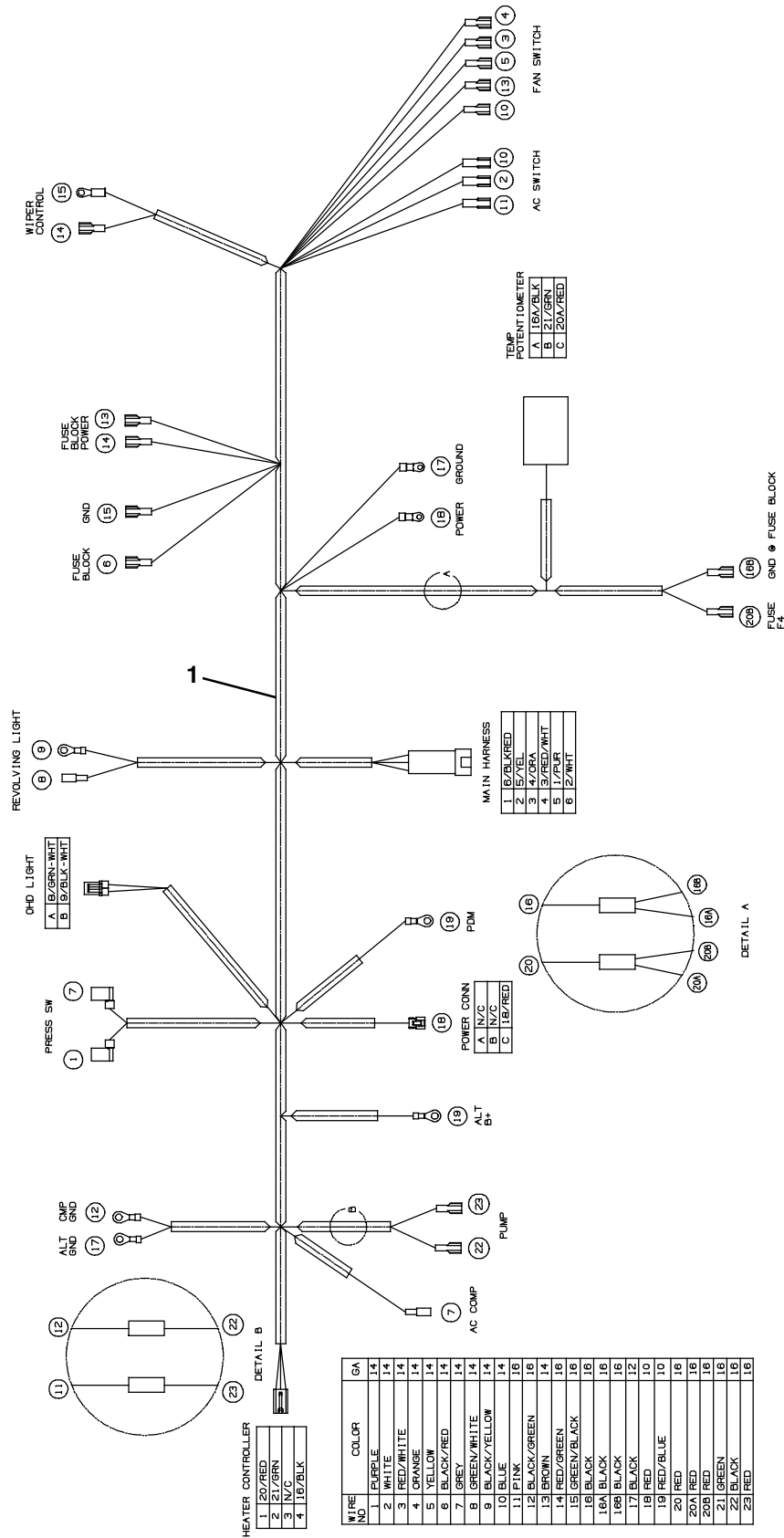
Fig. 11 - Cab Fuel Cover Group



**Fig. 11 - Cab Fuel Cover Group**

<b>Ref.</b>	<b>Part No.</b>	<b>Serial Number</b>	<b>Description</b>	<b>Qty.</b>
1	1036608	(006501-	) Panel Wldt, Side	1
2	1037346	(006501-	) Screw, Hex, M8 X 1.25 X 25, 9.8, Sems	3
3	140962	(006501-	) Latch, Cmpr, Spring, Knurled Knob, Pl	1
4	87316	(006501-	) Rivet, Blind, .125d X 0.32 X .25d, Alm	2
5	9004524	(006501-	) Cover, Gas, W/ Label, Replmt	1
6	1045525	(006501-	) Screw, Pan, Phl, M6 X 1.00 X 12, Blk	6
7	1040281	(006501-	) Cover, Lpg	1
8	1042073	(006501-	) Hinge	1
9	08708	(006501-	) Nut, Hex, Lock, M6 X 1.00, NI	1
10	1048950	(006501-	) Pin, Clevis, 0.25d X 5.25l	1
11	08085	(006501-	) Pin, Cotter, Hair, 0.31d .058 Wir	1

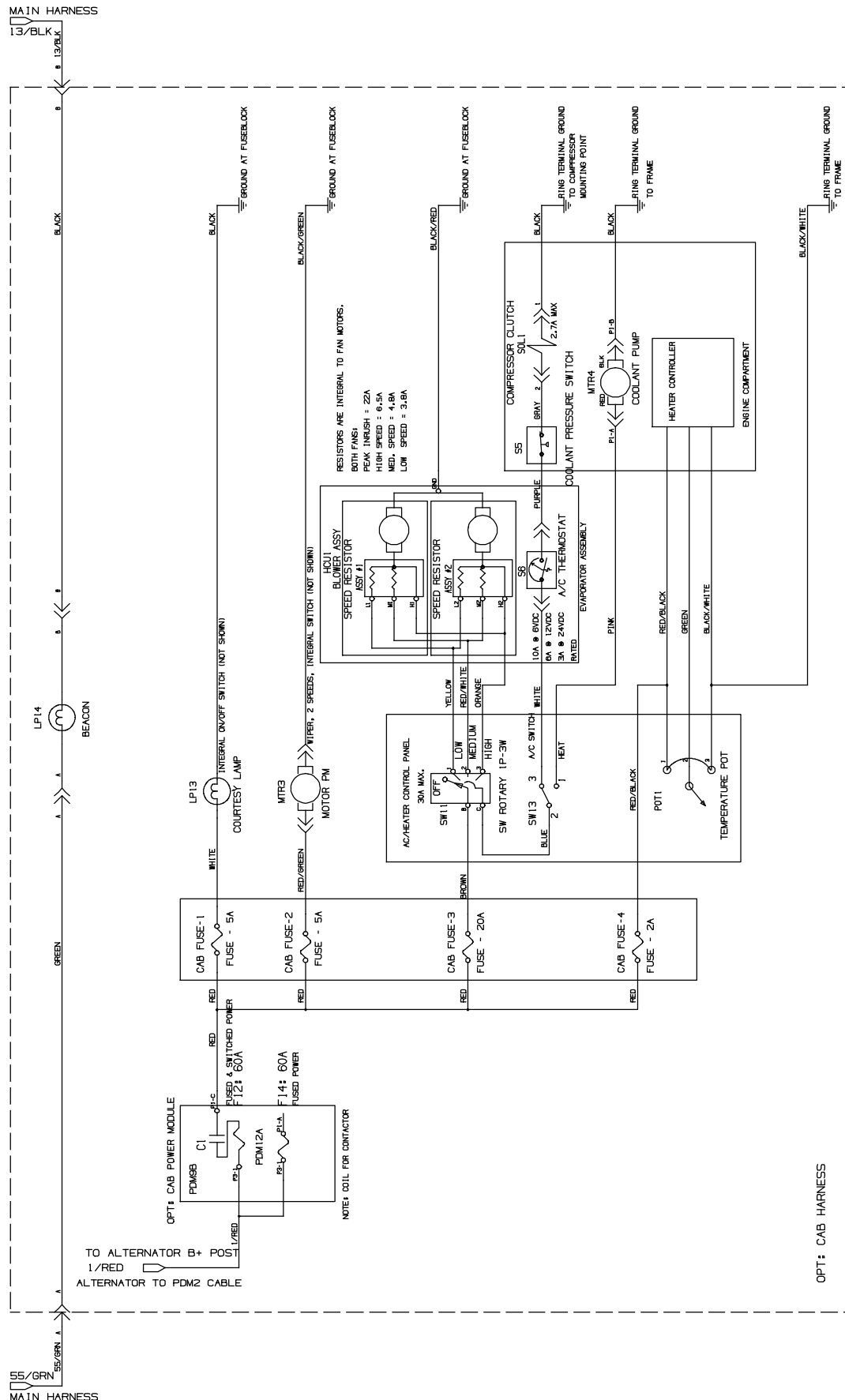
Fig. 12 - Cab Wire Harness Group



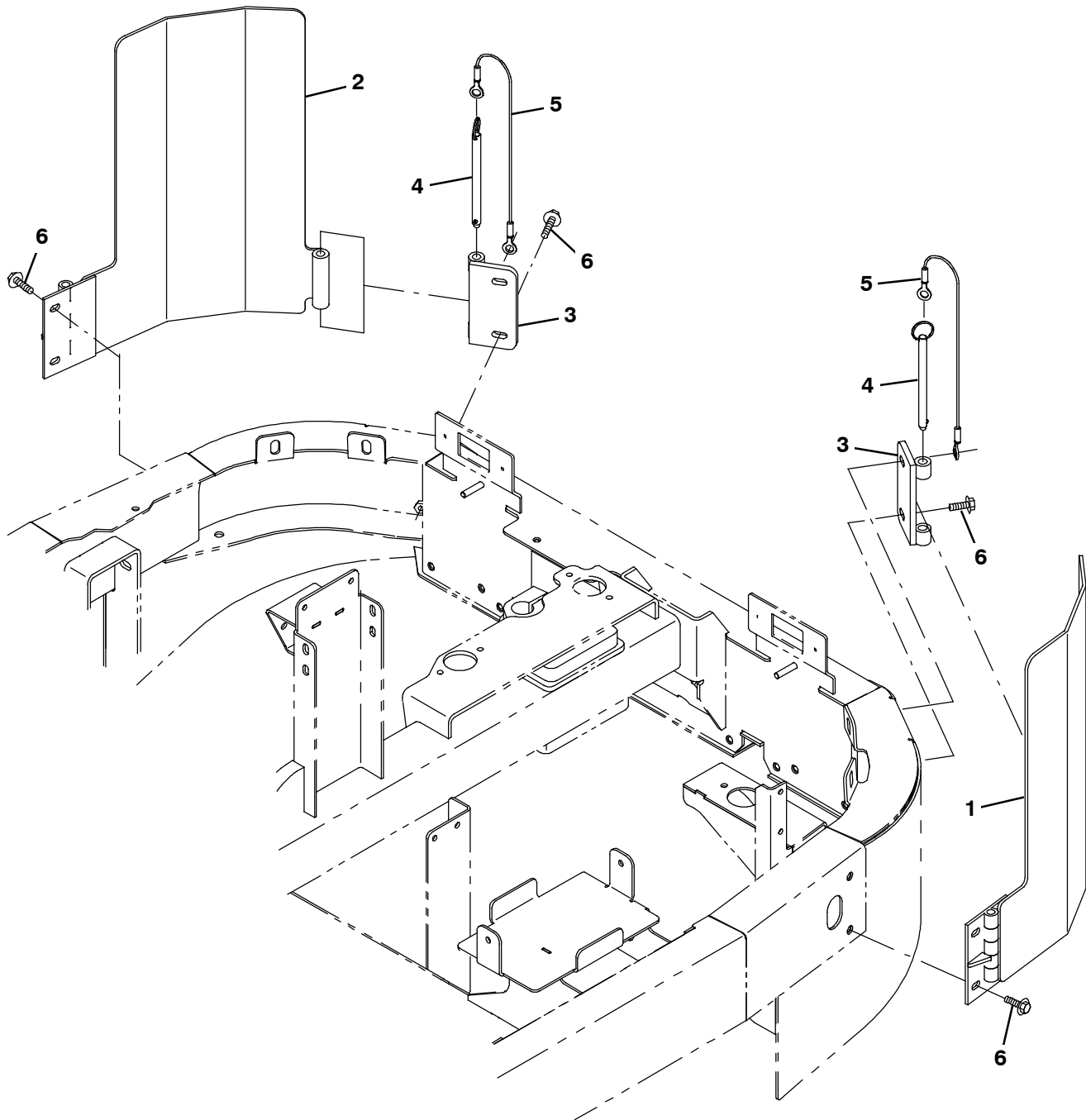
354761

Ref.	Part No.	Serial Number	Description	Qty.
1	1067912	(006501- )	Harness, Wire, Cab	1

Fig. 13 - Cab Wire Harness Electrical Schematic



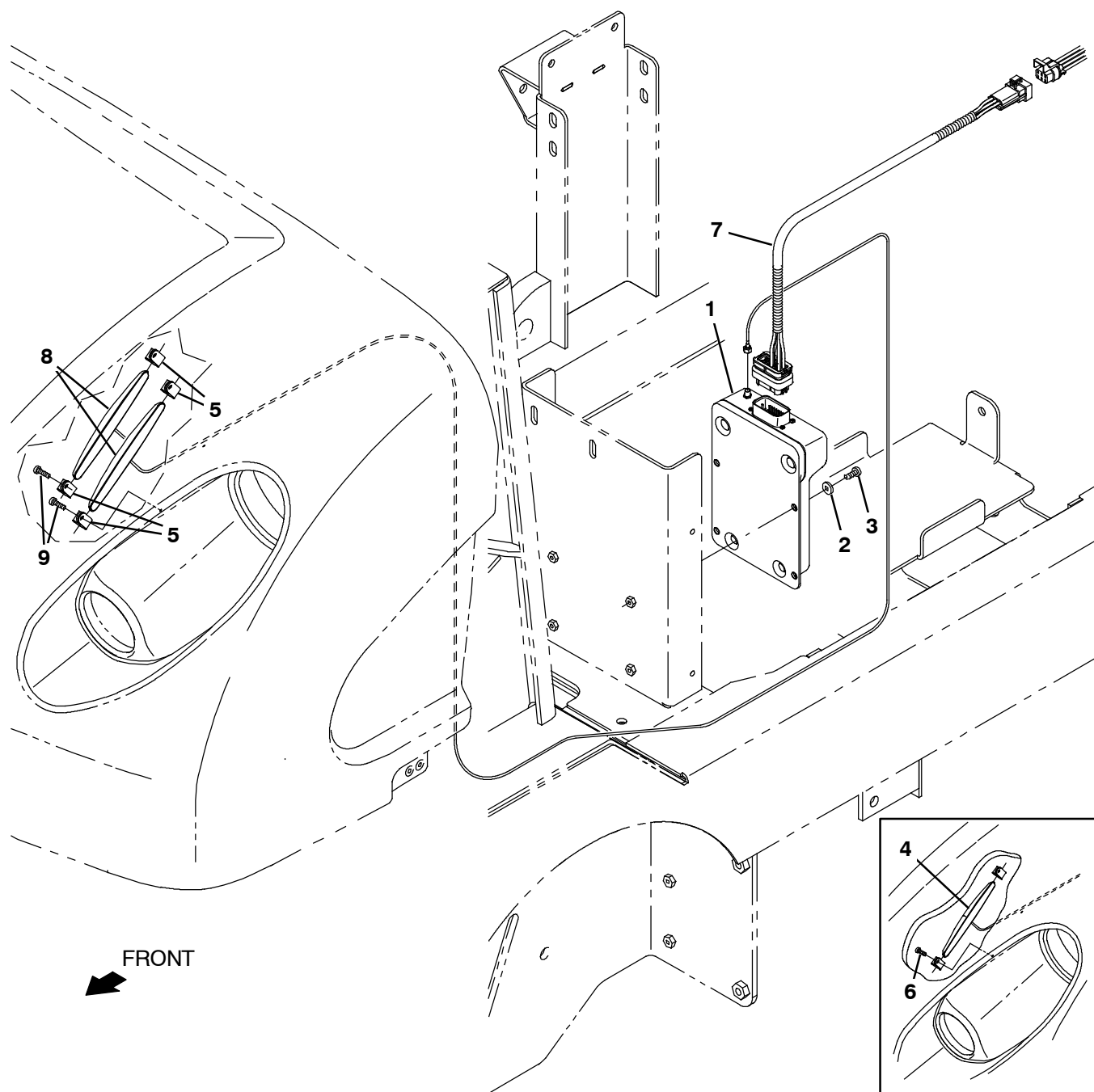
**Fig. 14 - Corner Bumper Kit**



354746

Ref.	Part No.	Serial Number	Description	Qty.
▽	9008195	(006501-	) Bumper Kit, Corner, Ci, [S30]	1
▲	1 1060546	(006501-	) Angle Wldt, Bmpr, Tower, Lh	1
▲	2 1061162	(006501-	) Angle Wldt, Bmpr, Tower, Rh	1
▲	3 1061629	(006501-	) Bracket Wldt, Mtg, Bmpr	2
▲	4 1043176	(006501-	) Pin, Hitch, .500d X 6.00l, PI	2
▲	5 87172	(006501-	) Cable, Glv .13d 010.0l .52eye /.52eye	2
▲	6 1037358	(006501-	) Screw, Hex, M10 X 1.5 X 35, 9.8, Sems	8

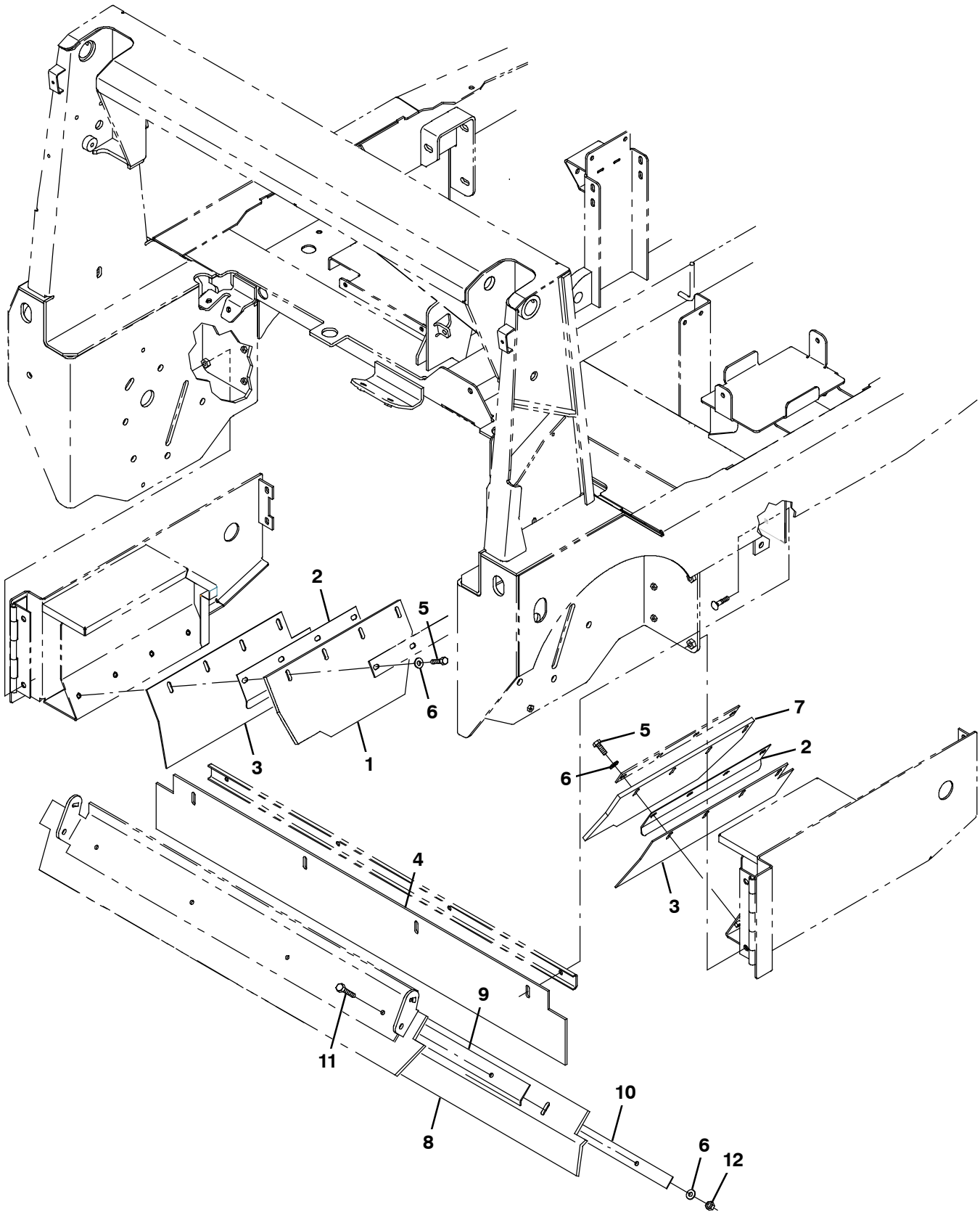
Fig. 15 - Telemetry Group



356548

Ref.	Part No.	Serial Number	Description	Qty.
1	9010085	(006501- )	Control Box Assy Kit, Replmt, Telem[Usa]	1
1	9010086	(006501- )	Control Box Assy Kit, Replmt, Telem[Intl]	1
2	19066	(006501- )	Washer, Flat, 0.25b 0.56d .05, Pl, 10	4
3	06933	(006501- )	Screw, Pan, Phl, M5 X 0.80 X 16, 4.8	4
4	1070324	(006501-010214 )	Antenna, Telem, 110 In [Gprs]	1
5	140916	(006501- )	Clamp, Cable, Nyl, 0.62d, Nat	4
6	360973	(006501-010214 )	Screw, Pan, 12- 16 X 0.50, F/ Plstc	2
7	1071132	(006501- )	Harness, Ele [Extn, Telemetry]	1
8	1247568	(010215- )	Antenna, Telem, [4G, 108" ]	2
9	382320	(010215- )	Screw, Pan, Phl, 12- 16 X 0.50, F/ Plstc	4
	1069580	(006501- )	Label, Opertnl, Telem [Fcc/lc]	1

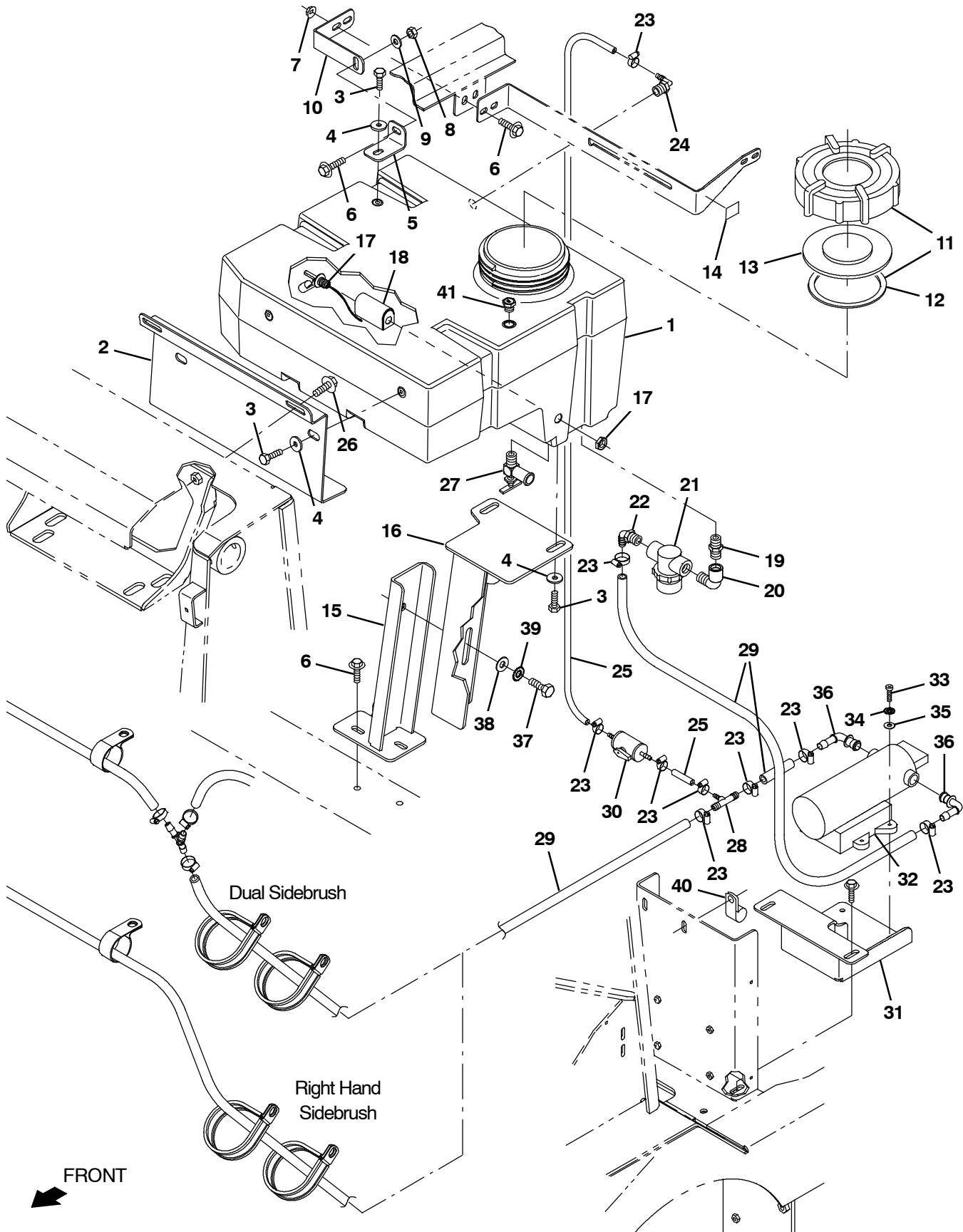
Fig. 16 - Side and Rear Skirt Kit



**Fig. 16 - Side and Rear Skirt Kit**

	<b>Ref.</b>	<b>Part No.</b>	<b>Serial Number</b>	<b>Description</b>	<b>Qty.</b>
▽		9013137	(006501-	) Skirt Kit, Side/ Rear [S30]	1
▲	1	1212911	(006501-	) Skirt Assy, Door, Brush, Rh	1
▲	2	1045352	(006501-	) Bracket, Skirt	2
▲	3	1212134	(006501-	) Skirt, Door, Brush	2
▲	4	1045348	(006501-	) Skirt, Neo, .18, 06.74w 50.00l, 04/ SI	1
▲	5	76570	(006501-	) Screw, Hex, M8 X 1.25 X 30, 8.8	8
▲	6	32491	(006501-	) Washer, Flat, 0.31, Std	12
▲	7	1212910	(006501-	) Skirt Assy, Door, Brush, Lh	1
▲	8	1212912	(006501-	) Skirt, Neo, .18, 6.42w X 48.73l, 04/SI	1
▲	9	1212908	(006501-	) Retainer, Blade, Deflector	1
▲	10	1212959	(006501-	) Retainer, Blade, Deflector	1
▲	11	41342	(006501-	) Screw, Hex, M8 X 1.25 X 40, 8.8	4
▲	12	08709	(006501-	) Nut, Hex, Lock, M8 X 1.25, NI	4

**Fig. 17 - Wet Side Brush Dust Control Water Tank Group**



**Fig. 17 - Wet Side Brush Dust Control Water Tank Group**

NOTE: The Watershield Kit, Rh, Sbdc, Ci[ S30] (S/N 008141- ), TENNANT Part Number 9016145 includes Fig. 17, Fig. 18, Fig. 20, and Fig. 21.

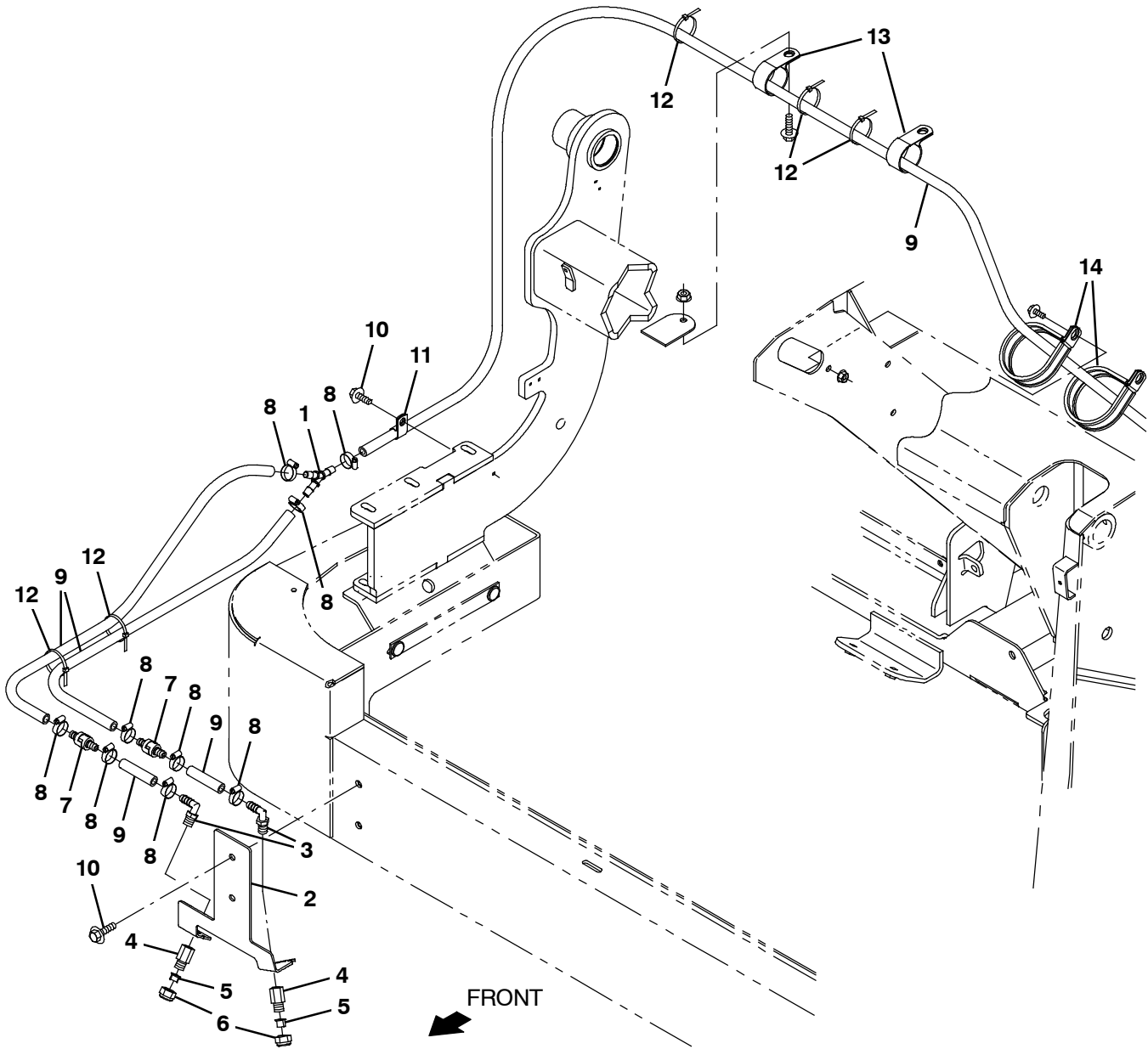
NOTE: The Watershield Kit, Dual, Sbdc, Ci[ S30] (S/N 008141- ), TENNANT Part Number 9016146 includes Fig. 17, Fig. 19, Fig. 20, and Fig. 21.

NOTE: The Watershield Kit, Rh, Sbdc, Ci[ S30Rwk] (S/N 006501-008140), TENNANT Part Number 9016090 includes Fig. 17, Fig. 18, Fig. 20, Fig. 21, and Fig. 22.

NOTE: The Watershield Kit, Dual, Sbdc, Ci[ S30Rwk] (S/N 006501-008140), TENNANT Part Number 9016091 includes Fig. 17, Fig. 19, Fig. 20, Fig. 21, and Fig. 22.

Ref.	Part No.	Serial Number	Description	Qty.	
1	9016474	(006501- )	Tank, Kit, Water, Afmkt [S30]	1	
2	1232002	(006501- )	Bracket, Sppt, Rear, Tank [S30]	1	
3	09740	(006501- )	Screw, Hex, M8 X 1.25 X 20, Ss	5	
4	1017218	(006501- )	Washer, Flat, 0.32b 1.00d .12, Ss	5	
5	1232001	(006501- )	Bracket, Angle, Tank Sppt, Top [S30]	1	
6	1037354	(006501- )	Screw, Hex, M8 X 1.25 X 30, 9.8, Sems	5	
7	07791	(006501- )	Nut, Hex, Fling, M8 X 1.25	2	
8	08709	(006501- )	Nut, Hex, Lock, M8 X 1.25, NI	3	
9	32491	(006501- )	Washer, Flat, 0.31, Std	1	
10	1232000	(006501- )	Bracket, Angle, Tank Brace	1	
▽	11	24358	(006501- )	Cap Assy, Tank, Drain	1
▲	12	1031699	(006501- )	Gasket, .19, 4.05id 5.29od [Buna]	1
	13	86636	(006501- )	Plug, Cap, Nat	1
	14	1232023	(006501- )	Label, Info, Water Only	1
	15	1231991	(006501- )	Brace Wldt, Sppt, Water Tank	1
	16	1231994	(006501- )	Bracket Wldt, Sppt, Top, Tank	1
	17	385685	(006501- )	Sensor, Level, Liq, 14vdc 01a .62- 11	1
	18	1019285	(006501- )	Bracket, Protector, Float Switch	1
	19	1232027	(006501- )	Fitting, Plstc, Str, Pm06/Pm06	1
	20	1005318	(006501- )	Fitting, Plstc, E90, Pf06/Pm06, Nyl	1
▽	21	1076437	(006501- )	Filter, In- Line, Pf06/Pf06 60 Micron	1
▲		1005304	(006501- )	Screen, Fltr, 60 Micron, Caged Ss	1
	22	150412	(006501- )	Fitting, Plstc, E90, Bm06/Pm06	1
	23	43844	(006501- )	Clamp, Hose, Wormdrive, 0.25- 0.62d, .31w	9
	24	150417	(006501- )	Fitting, Plstc, E90, Bm04/Pm06	1
	25	1014985	(006501- )	Hose, Afmkt, Pvc, Clr, 0.25id, 08ft	1
	26	1036892	(006501- )	Screw, Hex, M6 X 1.00 X 25, 9.8, Sems	2
	27	764183	(006501- )	Fitting, Draincock, E90 Pm06	1
	28	61456	(006501- )	Fitting, Plstc, Tee, Bm03/Bm06/Bm06, Br	1
	29	1014977	(006501- )	Hose, Afmkt, Pvc, Brd, 0.38id, 12ft, Clr	1
	30	1232030	(006501- )	Valve, Shutoff, Bm04/Bm04, Pvc	1
	31	1232051	(006501- )	Bracket Wldt, Sppt, Pump Mtg	1
	32	1036801	(006501- )	Pump, Soltn, 13.7vdc, 65psi [Fast li+]	1
	33	140293	(006501- )	Screw, Pan, Phl, M5 X 0.80 X 30, Ss	1
	34	07514	(006501- )	Washer, Lock, Int, 10, Ss	4
	35	01683	(006501- )	Washer, Flat, 10, Ss	4
	36	1049259	(006501- )	Fitting, Nyl, Qdc, E90, Bm06/ Qm10	2
	37	39283	(006501- )	Screw, Hex, M10 X 1.50 X 25, 8.8	1
	38	32492	(006501- )	Washer, Flat, 0.38, Std	1
	39	32988	(006501- )	Washer, Lock, Int, 0.38	1
	40	46236	(006501- )	Clamp, Cable, Stl, 0.25d X 0.56w, 1hole	1
	41	1241776	(006501- )	Fitting, Brs, 3/8npt, Valve, Breather	1

Fig. 18 - Wet Right Hand Side Brush Dust Control Spray Nozzle Group



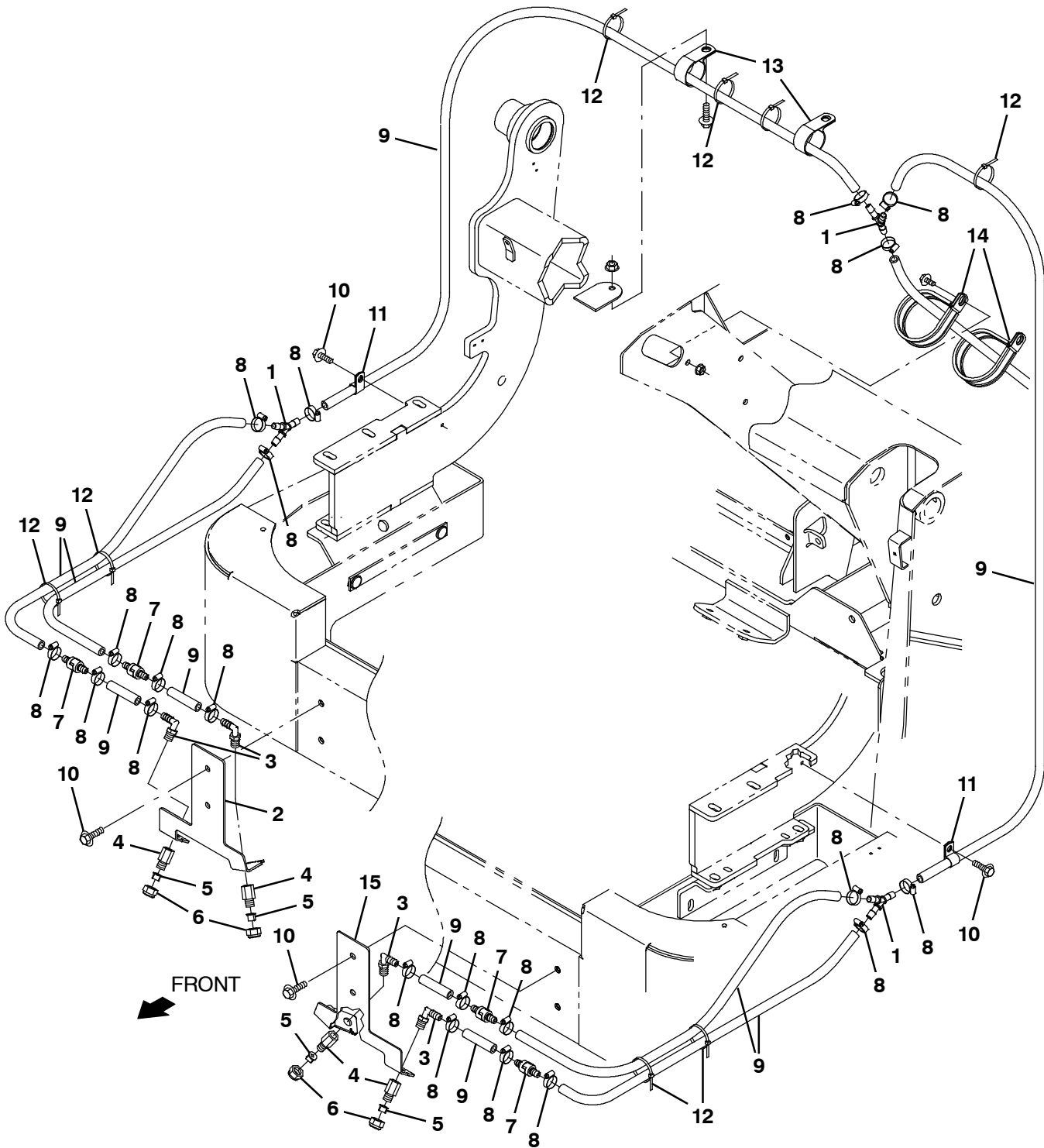
**Fig. 18 - Wet Right Hand Side Brush Dust Control Spray Nozzle Group**

*NOTE: The Watershield Kit, Rh, Sbdc, Cij[ S30] (S/N 008141- ), TENNANT Part Number 9016145 includes Fig. 17, Fig. 18, Fig. 20, and Fig. 21.*

*NOTE: The Watershield Kit, Rh, Sbdc, Cij[ S30Rwk] (S/N 006501-008140), TENNANT Part Number 9016090 includes Fig. 17, Fig. 18, Fig. 20, Fig. 21, and Fig. 22.*

<b>Ref.</b>	<b>Part No.</b>	<b>Serial Number</b>	<b>Description</b>	<b>Qty.</b>
1	1017255	(006501-	) Fitting, Plstc, Y, Bm06/Bm06/Bm06, Nyl	1
2	1232003	(006501-	) Bracket, Mtg, Dual Nozzle, Rh	1
3	57248	(006501-	) Fitting, Plstc, E90, Bm06/Pm04, Nyl	2
4	1232066	(006501-	) Fitting, Body, Nozzel, Brs	2
5	1232065	(006501-	) Nozzel, Spray, 110 Deg, 0.05 Gpm	2
6	769778	(006501-	) Fitting, Brs, Cap [Unijet]	2
7	1015455	(006501-	) Valve, Check, 0005psi Bm06/Bm06	2
8	43844	(006501-	) Clamp, Hose, Wormdrive, 0.25- 0.62d, .31w	9
9	1014977	(006501-	) Hose, Afmkt, Pvc, Brd, 0.38id, 12ft, Clr	1
10	1037346	(006501-	) Screw, Hex, M8 X 1.25 X 25, 9.8, Sems	3
11	82829	(006501-	) Clamp, Cable, Stl, 0.63d X 0.75w, 1hole	1
12	763114	(006501-	) Tie, Cable, 11.3l, 2.75d Max	6
13	41016	(006501-	) Clamp, Cable, Stl, 2.25d X 1.00w, 1hole	2
14	1207562	(006501-	) Clamp, Cable, Stl, 3.25d X 1.00w, 1hole	2

Fig. 19 - Wet Dual Side Brush Dust Control Spray Nozzle Group



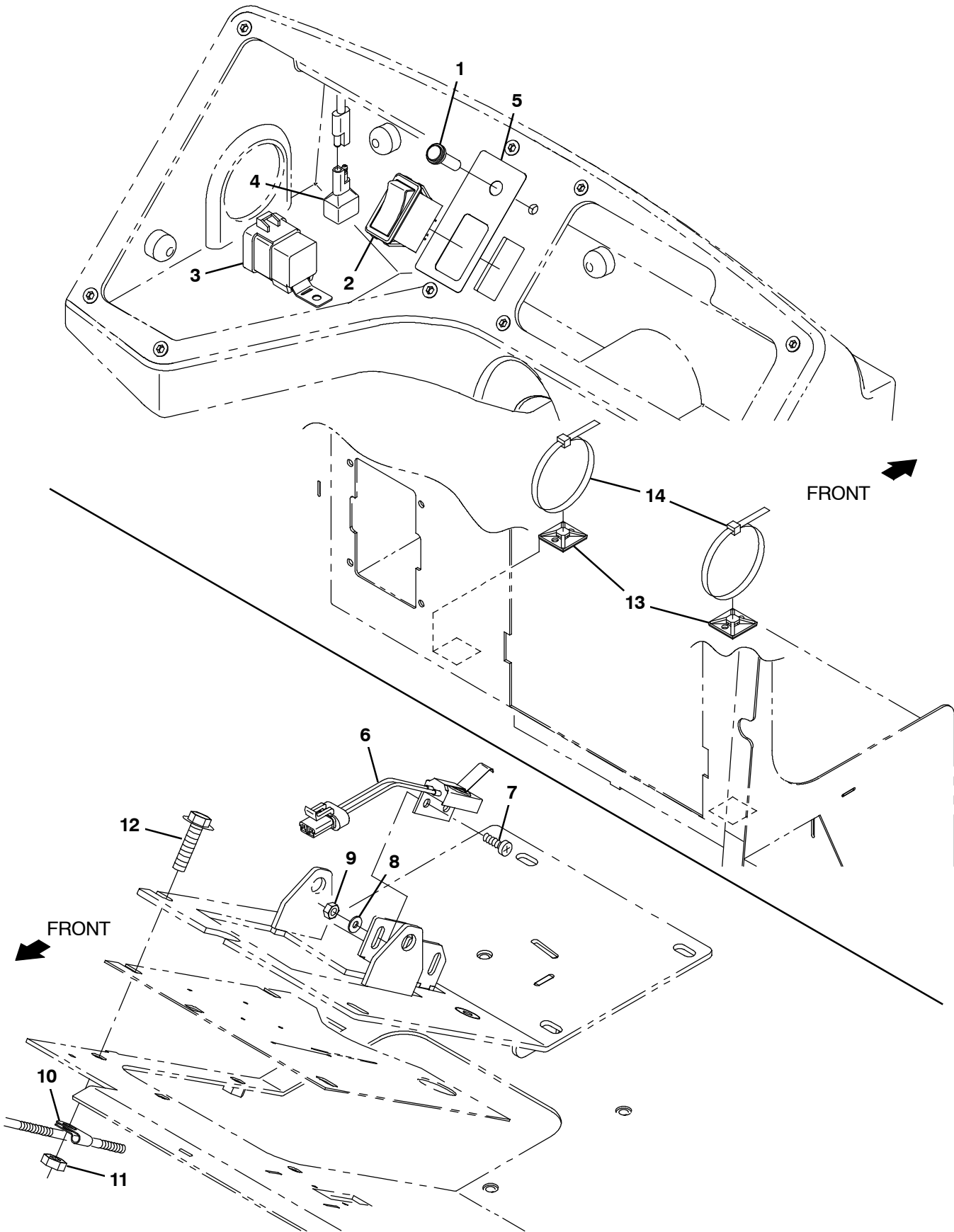
**Fig. 19 - Wet Dual Side Brush Dust Control Spray Nozzle Group**

*NOTE: The Watershield Kit, Dual, Sbdc, Ci[ S30] (S/N 008141- ), TENNANT Part Number 9016146 includes Fig. 17, Fig. 19, Fig. 20, and Fig. 21.*

*NOTE: The Watershield Kit, Dual, Sbdc, Ci[ S30Rwk] (S/N 006501- 008140), TENNANT Part Number 9016091 includes Fig. 17, Fig. 19, Fig. 20, Fig. 21, and Fig. 22.*

<b>Ref.</b>	<b>Part No.</b>	<b>Serial Number</b>	<b>Description</b>	<b>Qty.</b>
1	1017255	(006501-	) Fitting, Plstc, Y, Bm06/Bm06/Bm06, Nyl	3
2	1232003	(006501-	) Bracket, Mtg, Dual Nozzle, Rh	1
3	57248	(006501-	) Fitting, Plstc, E90, Bm06/Pm04, Nyl	4
4	1232066	(006501-	) Fitting, Body, Nozzel, Brs	4
5	1232065	(006501-	) Nozzel, Spray, 110 Deg, 0.05 Gpm	4
6	769778	(006501-	) Fitting, Brs, Cap [Unijet]	4
7	1015455	(006501-	) Valve, Check, 0005psi Bm06/Bm06	4
8	43844	(006501-	) Clamp, Hose, Wormdrive, 0.25- 0.62d, .31w	21
9	1014977	(006501-	) Hose, Afmkt, Pvc, Brd, 0.38id, 12ft, Clr	2
10	1037346	(006501-	) Screw, Hex, M8 X 1.25 X 25, 9.8, Sems	3
11	82829	(006501-	) Clamp, Cable, Stl, 0.63d X 0.75w, 1hole	2
12	763114	(006501-	) Tie, Cable, 11.3l, 2.75d Max	12
13	41016	(006501-	) Clamp, Cable, Stl, 2.25d X 1.00w, 1hole	2
14	1207562	(006501-	) Clamp, Cable, Stl, 3.25d X 1.00w, 1hole	2
15	1232004	(006501-	) Bracket, Mtg, Dual Nozzle, Lh	1

Fig. 20 - Wet Side Brush Dust Control Electrical Group



**Fig. 20 - Wet Side Brush Dust Control Electrical Group**

*NOTE: The Watershield Kit, Rh, Sbdc, Ci[ S30] (S/N 008141- ), TENNANT Part Number 9016145 includes Fig. 17, Fig. 18, Fig. 20, and Fig. 21.*

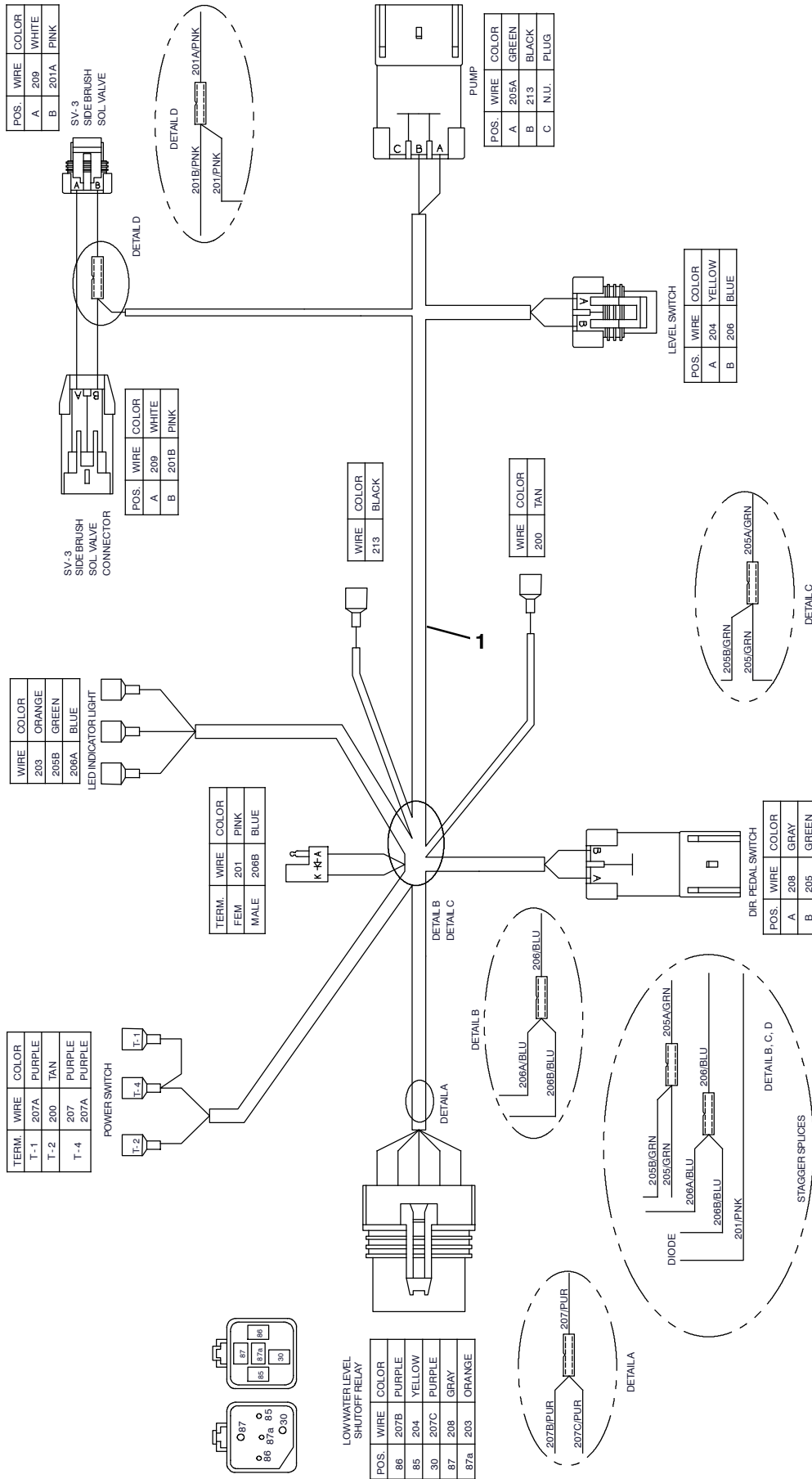
*NOTE: The Watershield Kit, Dual, Sbdc, Ci[ S30] (S/N 008141- ), TENNANT Part Number 9016146 includes Fig. 17, Fig. 19, Fig. 20, and Fig. 21.*

*NOTE: The Watershield Kit, Rh, Sbdc, Ci[ S30Rwk] (S/N 006501-008140), TENNANT Part Number 9016090 includes Fig. 17, Fig. 18, Fig. 20, Fig. 21, and Fig. 22.*

*NOTE: The Watershield Kit, Dual, Sbdc, Ci[ S30Rwk] (S/N 006501-008140), TENNANT Part Number 9016091 includes Fig. 17, Fig. 19, Fig. 20, Fig. 21, and Fig. 22.*

<b>Ref.</b>	<b>Part No.</b>	<b>Serial Number</b>	<b>Description</b>	<b>Qty.</b>
1	1232342	(006501-	) Light, Led, .312d, 12 Vdc [Tri- Color]	1
2	398528	(006501-	) Switch, Rocker, Dpdt, On / Off / Mom	1
3	56186	(006501-	) Relay, 12vdc, 040a, Spdt No	1
4	222290	(006501-	) Diode, Ele, Plug	1
5	1232091	(006501-	) Label, Wet Dust Cntrl [S30]	1
6	1212400	(006501-	) Switch, Snap, 15a Nc	1
7	06933	(006501-	) Screw, Pan, Phl, M5 X 0.80 X 16, 4.8	2
8	19324	(006501-	) Washer, Flat, 10, Sae	2
9	06549	(006501-	) Nut, Hex, Lock, M5 X 0.80, NI	2
10	46236	(006501-	) Clamp, Cable, Stl, 0.25d X 0.56w, 1hole	1
11	08709	(006501-	) Nut, Hex, Lock, M8 X 1.25, NI	1
12	1037355	(006501-	) Screw, Hex, M8 X 1.25 X 35, 9.8, Sems	1
13	55248	(006501-	) Mount, Cable Tie	4
14	49266	(006501-	) Tie, Cable, Nyl, 07.3l .19w 1.8 Max D	4

Fig. 21 - Wet Side Brush Dust Control Wire Harness Group



**Fig. 21 - Wet Side Brush Dust Control Wire Harness Group**

*NOTE: The Watershield Kit, Rh, Sbdc, Ci[ S30] (S/N 008141- ), TENNANT Part Number 9016145 includes Fig. 17, Fig. 18, Fig. 20, and Fig. 21.*

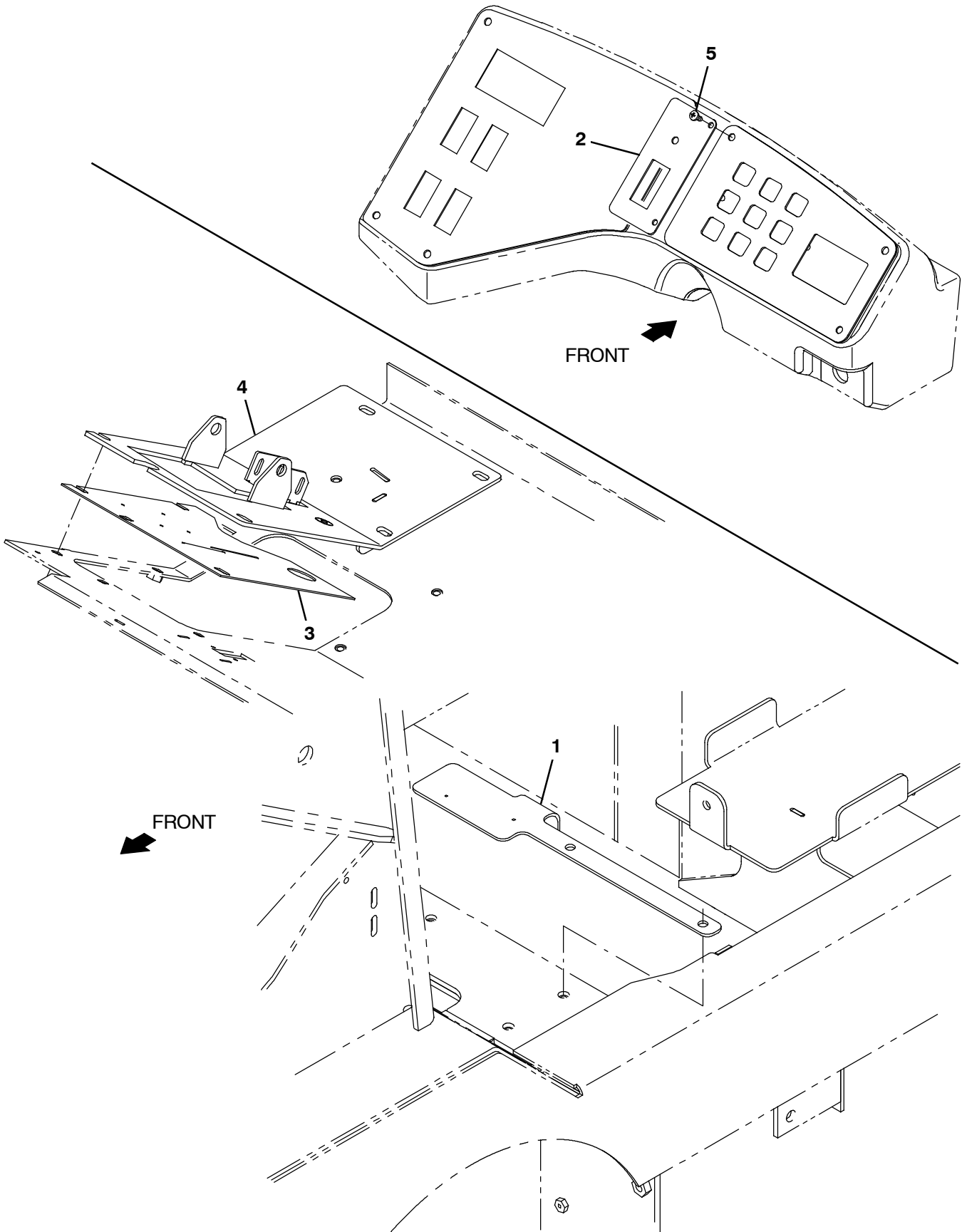
*NOTE: The Watershield Kit, Dual, Sbdc, Ci[ S30] (S/N 008141- ), TENNANT Part Number 9016146 includes Fig. 17, Fig. 19, Fig. 20, and Fig. 21.*

*NOTE: The Watershield Kit, Rh, Sbdc, Ci[ S30Rwk] (S/N 006501-008140), TENNANT Part Number 9016090 includes Fig. 17, Fig. 18, Fig. 20, Fig. 21, and Fig. 22.*

*NOTE: The Watershield Kit, Dual, Sbdc, Ci[ S30Rwk] (S/N 006501-008140), TENNANT Part Number 9016091 includes Fig. 17, Fig. 19, Fig. 20, Fig. 21, and Fig. 22.*

<b>Ref.</b>	<b>Part No.</b>	<b>Serial Number</b>	<b>Description</b>	<b>Qty.</b>
1	1232183	(006501-	) Harness, Cntrl, Wet Dust [S30]	1

Fig. 22 - Wet Side Brush Dust Control Rework Group (S/N 006501-008140)



**Fig. 22 - Wet Side Brush Dust Control Rework Group (S/N 006501-008140)**

*NOTE: The Watershield Kit, Rh, Sbdc, Ci[ S30Rwk] (S/N 006501-008140), TENNANT Part Number 9016090 includes Fig. 17, Fig. 18, Fig. 20, Fig. 21, and Fig. 22.*

*NOTE: The Watershield Kit, Dual, Sbdc, Ci[ S30Rwk] (S/N 006501-008140), TENNANT Part Number 9016091 includes Fig. 17, Fig. 19, Fig. 20, Fig. 21, and Fig. 22.*

<b>Ref.</b>	<b>Part No.</b>	<b>Serial Number</b>	<b>Description</b>	<b>Qty.</b>
1	1232297	(006501-008140 )	Drill Template, S30 Water Tank Sppt	1
2	1232549	(006501-008140 )	Template, Drill, Cntrl Console[S30]	1
3	1026688	(006501-008140 )	Panel Wldt, Access	1
4	1038360	(006501-008140 )	Gasket, Rbr, Pedal, Propel	1
5	1045487	(006501-008140 )	Screw, Pan, Phl, M5 X 0.80 X 16, Blk	2

Fig. 23 - Wet Side Brush Dust Control Electrical Schematic, S30

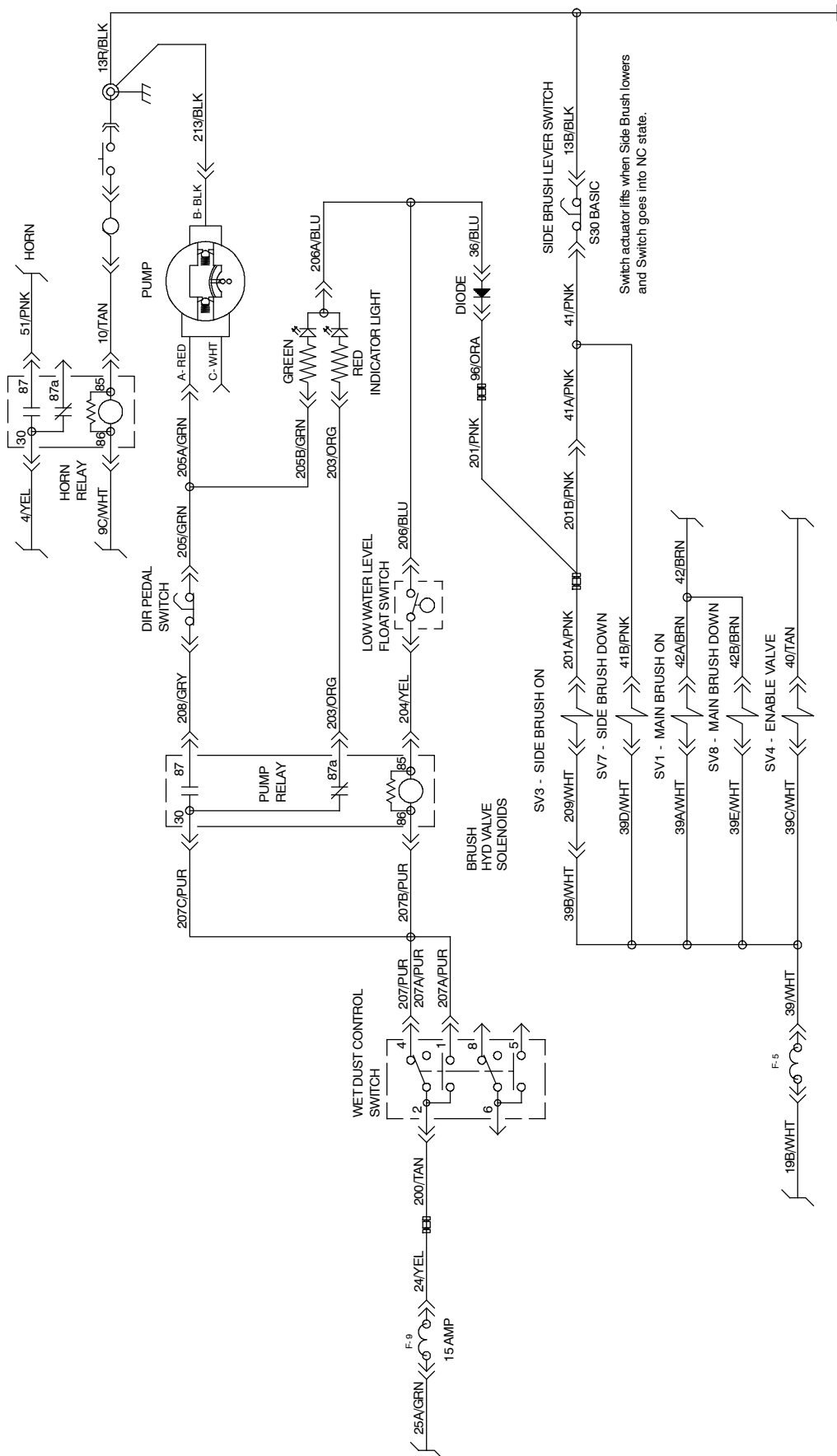


Fig. 24 - Wet Side Brush Dust Control Electrical Schematic, S30 XP

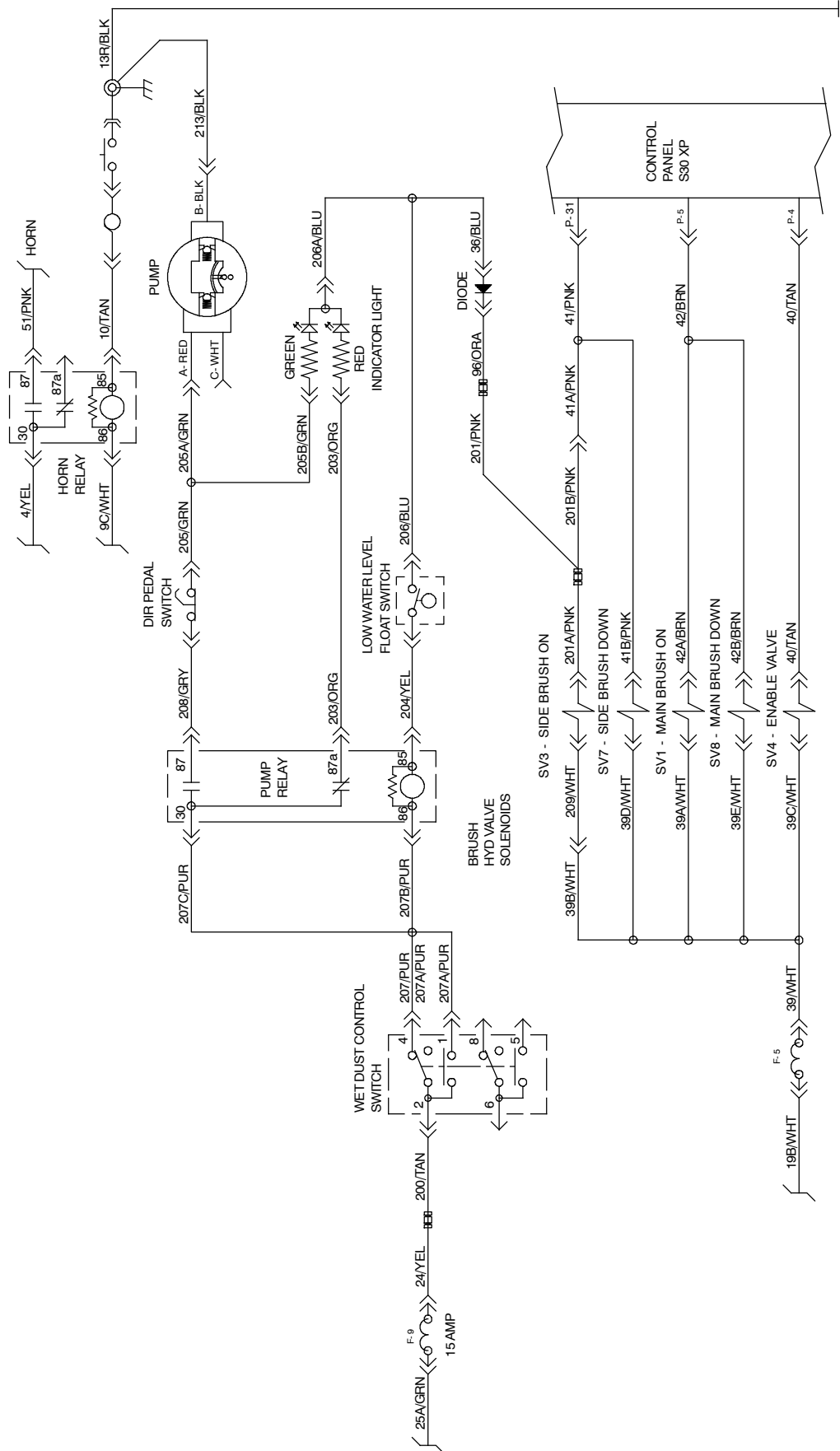
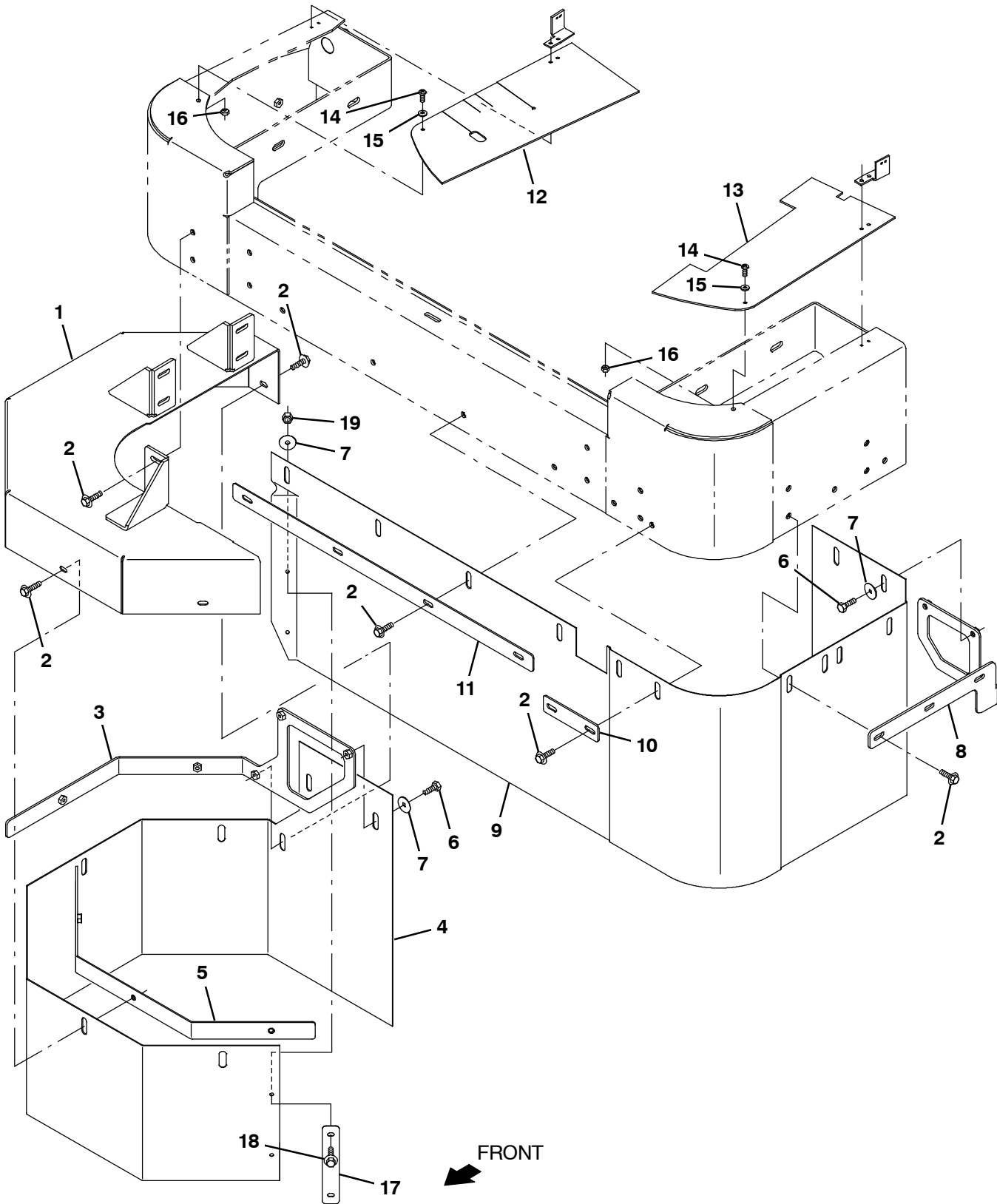


Fig. 25 - Right Hand Side Brush Dust Control Skirt Kit



**Fig. 25 - Right Hand Side Brush Dust Control Skirt Kit**

Ref.	Part No.	Serial Number	Description	Qty.
▽	9017882	(006501-	) Dust Cntrl, Dry, Single Rh Sb, Ci [S30]	1
▲	1 1076396	(006501-	) Cover Wldt, Rh, Sbdc [S30]	1
▲	2 1037354	(006501-	) Screw, Hex, M8 X 1.25 X 30, 9.8, Sems	21
▲	3 1076400	(006501-	) Strip, Retainer, Wldt, Skirt, Rh, Sbdc	1
▲	4 1076408	(006501-	) Skirt, Side Shroud, Sbdc [S30]	1
▲	5 1076402	(006501-	) Strip, Retainer, Wldt, Sbdc [S30]	1
▲	6 16931	(006501-	) Screw, Hex, M8 X 1.25 X 20, 8.8	4
▲	7 30013	(006501-	) Washer, Flat, 0.31, Fendr	6
▲	8 1076406	(006501-	) Strip, Retainer, Wldt, Skirt, Lh, Sbdc	1
▲	9 1076407	(006501-	) Skirt, Lh, Single Sbdc [S30]	1
▲	10 1076404	(006501-	) Strip, Retainer, Lh, Skirt, Sbdc	1
▲	11 1076403	(006501-	) Strip, Retainer, Front, Sbdc	1
▲	12 1076411	(006501-	) Seal, Upper, Rh, Sbdc [S30]	1
▲	13 1076412	(006501-	) Seal, Upper, Lh, Sbdc [S30]	1
▲	14 09164	(006501-	) Screw, Pan, Phl, M6 X 1.00 X 20, 4.8	2
▲	15 32483	(006501-	) Washer, Flat, 0.25, Sae	2
▲	16 08708	(006501-	) Nut, Hex, Lock, M6 X 1.00, NI	2
▲	17 1076292	(006501-	) Plate, Support, Skirt Sbdc	1
▲	18 1037346	(006501-	) Screw, Hex, M8 X 1.25 X 25, 9.8, Sems	2
▲	19 08709	(006501-	) Nut, Hex, Lock, M8 X 1.25, NI	2

Fig. 26 - Dual Side Brush Dust Control Skirt Kit

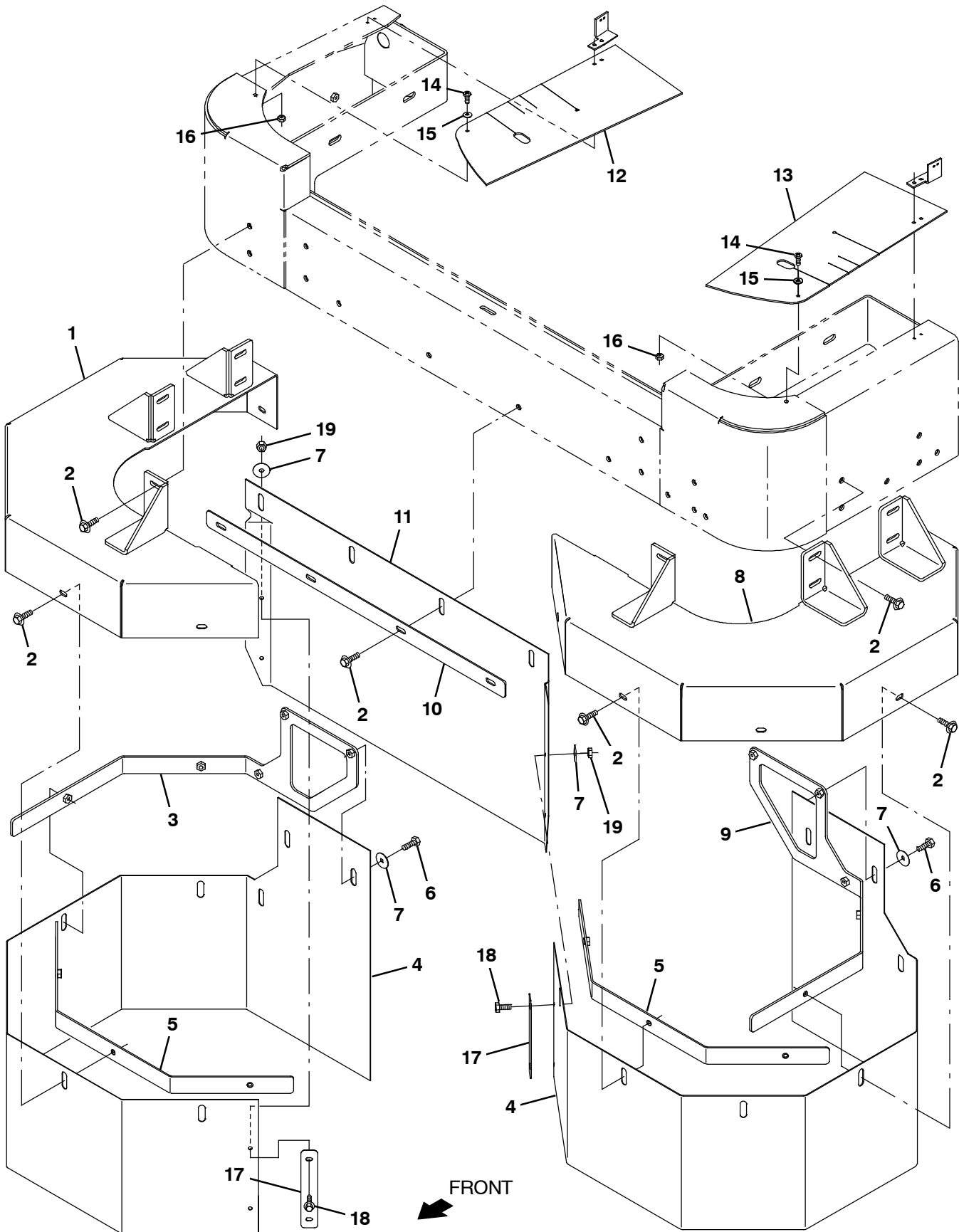
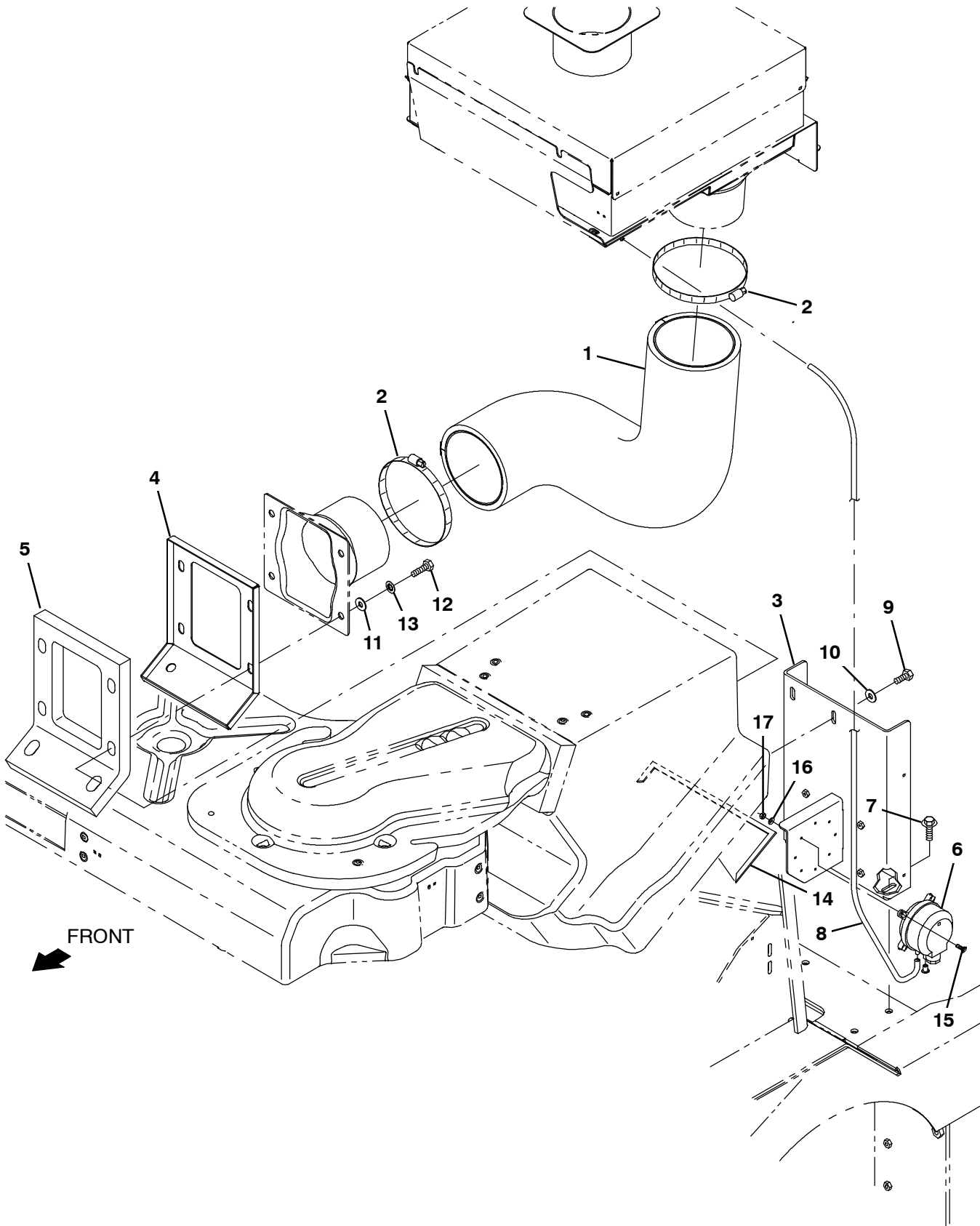


Fig. 26 - Dual Side Brush Dust Control Skirt Kit

Ref.	Part No.	Serial Number	Description	Qty.
▽	9017883	(006501-	) Dust Cntrl, Dry, Dual Sb, Ci [S30]	1
▲	1 1076396	(006501-	) Cover Wldt, Rh, Sbdc [S30]	1
▲	2 1037354	(006501-	) Screw, Hex, M8 X 1.25 X 30, 9.8, Sems	28
▲	3 1076400	(006501-	) Strip, Retainer, Wldt, Skirt, Rh, Sbdc	1
▲	4 1076408	(006501-	) Skirt, Side Shroud, Sbdc [S30]	2
▲	5 1076402	(006501-	) Strip, Retainer, Wldt, Sbdc [S30]	2
▲	6 16931	(006501-	) Screw, Hex, M8 X 1.25 X 20, 8.8	4
▲	7 30013	(006501-	) Washer, Flat, 0.31, Fendr	6
▲	8 1076398	(006501-	) Cover Wldt, Lh, Sbdc [S30]	1
▲	9 1076410	(006501-	) Strip, Retainer, Wldt, Skirt, Lh, Sbdc	1
▲	10 1076403	(006501-	) Strip, Retainer, Front, Sbdc	1
▲	11 1076413	(006501-	) Skirt, Front, Dual Sbdc [S30]	1
▲	12 1076411	(006501-	) Seal, Upper, Rh, Sbdc [S30]	1
▲	13 1076412	(006501-	) Seal, Upper, Lh, Sbdc [S30]	1
▲	14 09164	(006501-	) Screw, Pan, Phl, M6 X 1.00 X 20, 4.8	2
▲	15 32483	(006501-	) Washer, Flat, 0.25, Sae	2
▲	16 08708	(006501-	) Nut, Hex, Lock, M6 X 1.00, NI	2
▲	17 1076292	(006501-	) Plate, Support, Skirt Sbdc	2
▲	18 1037346	(006501-	) Screw, Hex, M8 X 1.25 X 25, 9.8, Sems	4
▲	19 08709	(006501-	) Nut, Hex, Lock, M8 X 1.25, NI	4

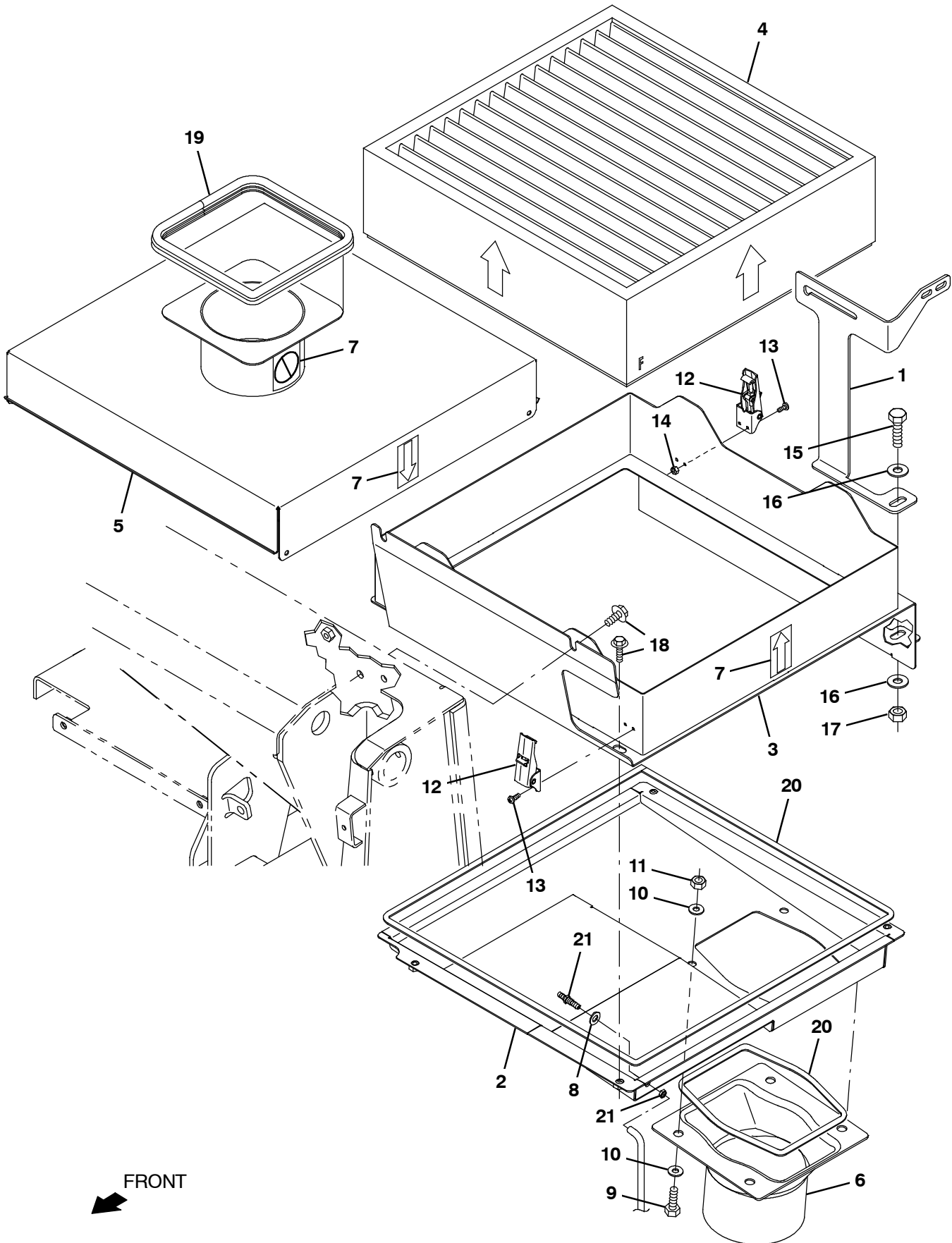
Fig. 27 - HEPA Filter Vacuum Hose Group



**Fig. 27 - HEPA Filter Vacuum Hose Group**

<b>Ref.</b>	<b>Part No.</b>	<b>Serial Number</b>	<b>Description</b>	<b>Qty.</b>
1	1042831	(006501-	) Hose, Exhaust, Vacuum, 5.0id, 40.0l	1
2	49891	(006501-	) Clamp, Hose, Wormdrive, 5.56- 6.50d, .56w	2
3	1236127	(006501-	) Bracket Wldt, Fan Mtg, Press Sw Mtg	1
4	1240478	(006501-	) Bracket, Seal, Flange, Vac	1
5	1240476	(006501-	) Seal, Flange, Rbr, Foam, Adh, 1.0th	1
6	1076268	(006501-	) Switch, Press, Adj [.80"- 4.0" Water]	1
7	1037346	(006501-	) Screw, Hex, M8 X 1.25 X 25, 9.8, Sems	2
8	1031576	(006501-	) Hose, Afmkt, Vacuum, 0.16id, 08ft	1
9	16931	(006501-	) Screw, Hex, M8 X 1.25 X 20, 8.8	2
10	32491	(006501-	) Washer, Flat, 0.31, Std	2
11	1017218	(006501-	) Washer, Flat, 0.32b 1.00d .12, Ss	5
12	41342	(006501-	) Screw, Hex, M8 X 1.25 X 40, 8.8	5
13	32984	(006501-	) Washer, Lock, Int, 0.31	5
14	1046426	(006501-	) Seal, Afmkt, Rbr, Clsd, Adh, 08ft	1
15	24265	(006501-	) Screw, Pan, Phl, M4 X 0.70 X 16, Ss	2
16	19065	(006501-	) Washer, Flat, 0.19b 0.44d .05, Pl, 08	2
17	02850	(006501-	) Nut, Hex, Lock, M4 X 0.70, NI	2

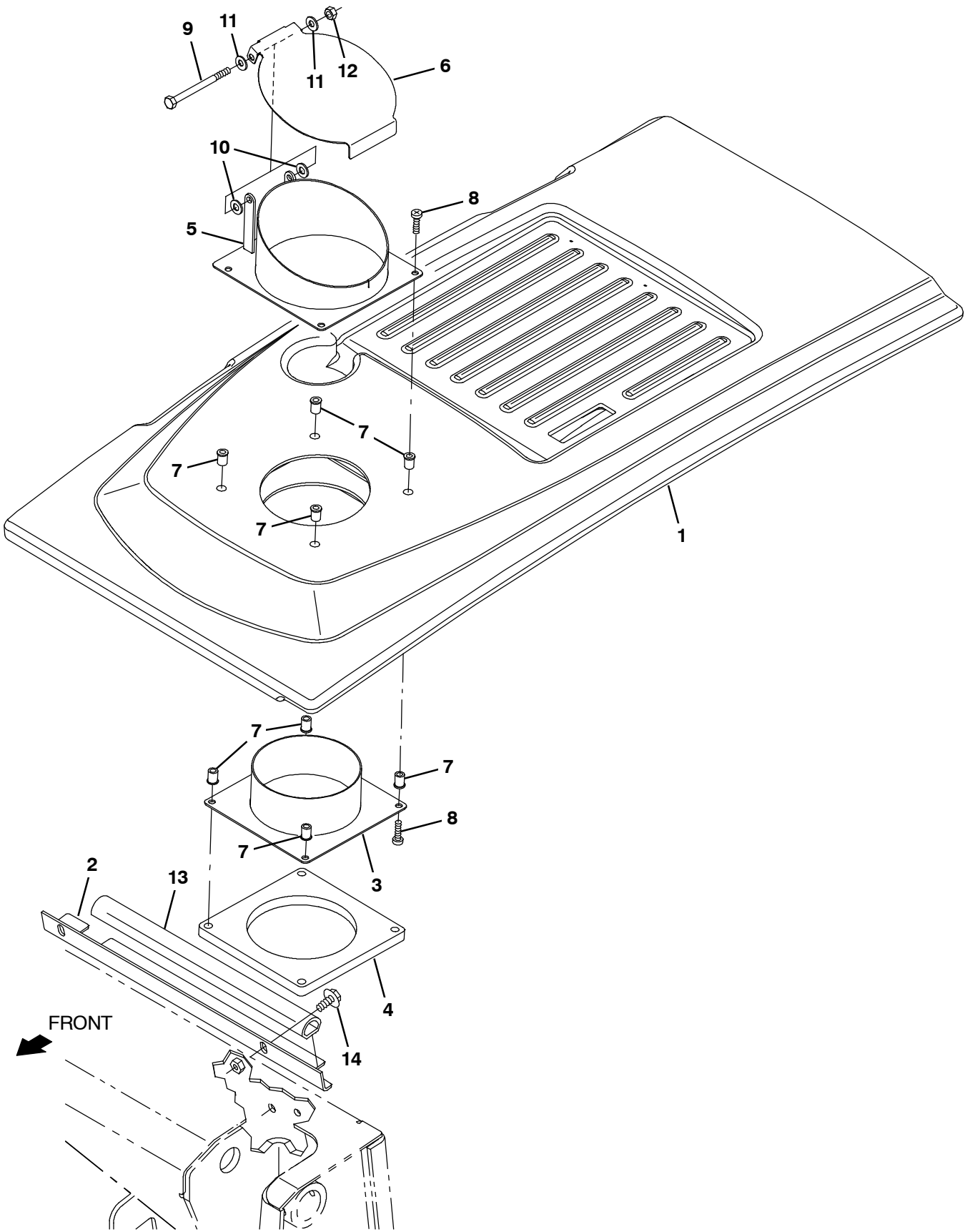
Fig. 28 - HEPA Filter Box Group



**Fig. 28 - HEPA Filter Box Group**

<b>Ref.</b>	<b>Part No.</b>	<b>Serial Number</b>	<b>Description</b>	<b>Qty.</b>
1	1235597	(006501-	) Bracket, Sppt, Prop Rod, [Gen II S30]	1
2	1232268	(006501-	) Diverter Wldt, Fltr, Hepa [Gen II S30]	1
3	1232173	(006501-	) Bracket Wldt, Fltr Tray, Hepa [Gen II]	1
4	315396	(006501-008626	) Element, Filter, Hepa, 25.0h 13.5w	1
4	1232166	(008627-	) Element, Fltr, Hepa, 18 X 17 X 5 [S30]	1
5	1234043	(006501-	) Cover Wldt, Hepa, [Gen II - S30]	1
6	1031122	(006501-	) Duct, Outlet, Vacuum	1
7	1237915	(006501-	) Label Set, Fltr, Hepa [S20&S30]	1
8	43454	(006501-	) Washer, Flat, 0.34b 0.69d .06, Nyl	1
9	39277	(006501-	) Screw, Hex, M8 X 1.25 X 25, 8.8	4
10	32490	(006501-	) Washer, Flat, 0.25, Std	8
11	08709	(006501-	) Nut, Hex, Lock, M8 X 1.25, NI	4
12	384418	(006501-	) Latch, Door [Southco 91- 562- 07]	2
13	49697	(006501-	) Screw, Pan, Phl, M4 X 0.70 X 10, Ss	4
14	02850	(006501-	) Nut, Hex, Lock, M4 X 0.70, NI	4
15	03192	(006501-	) Screw, Hex, M10 X 1.50 X 30, 8.8	1
16	32492	(006501-	) Washer, Flat, 0.38, Std	2
17	41430	(006501-	) Nut, Hex, Lock, M10 X 1.5, NI	1
18	1036892	(006501-	) Screw, Hex, M6 X 1.00 X 25, 9.8, Sems	6
19	1063864	(006501-	) Seal, Afmkt, Bulb, 90, 0.38, 03ft	1
20	1020287	(006501-	) Seal, Afmkt, Rbr, Clsd, Adh, 12ft	1
21	39923	(006501-	) Fitting, Brs, Str, Bm03/Bm03, Bh	1

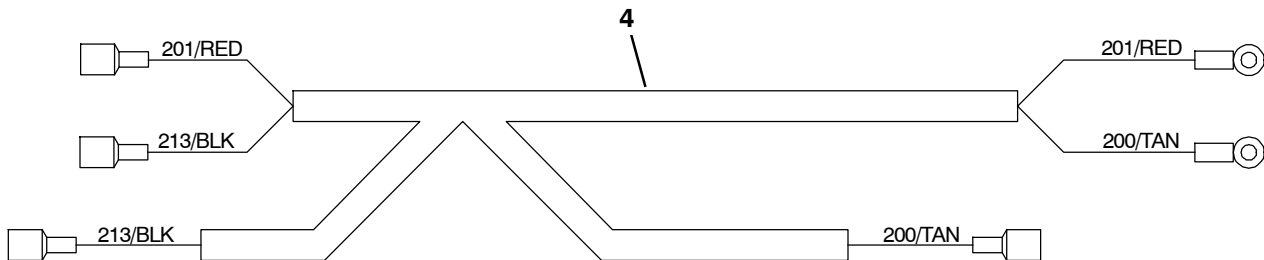
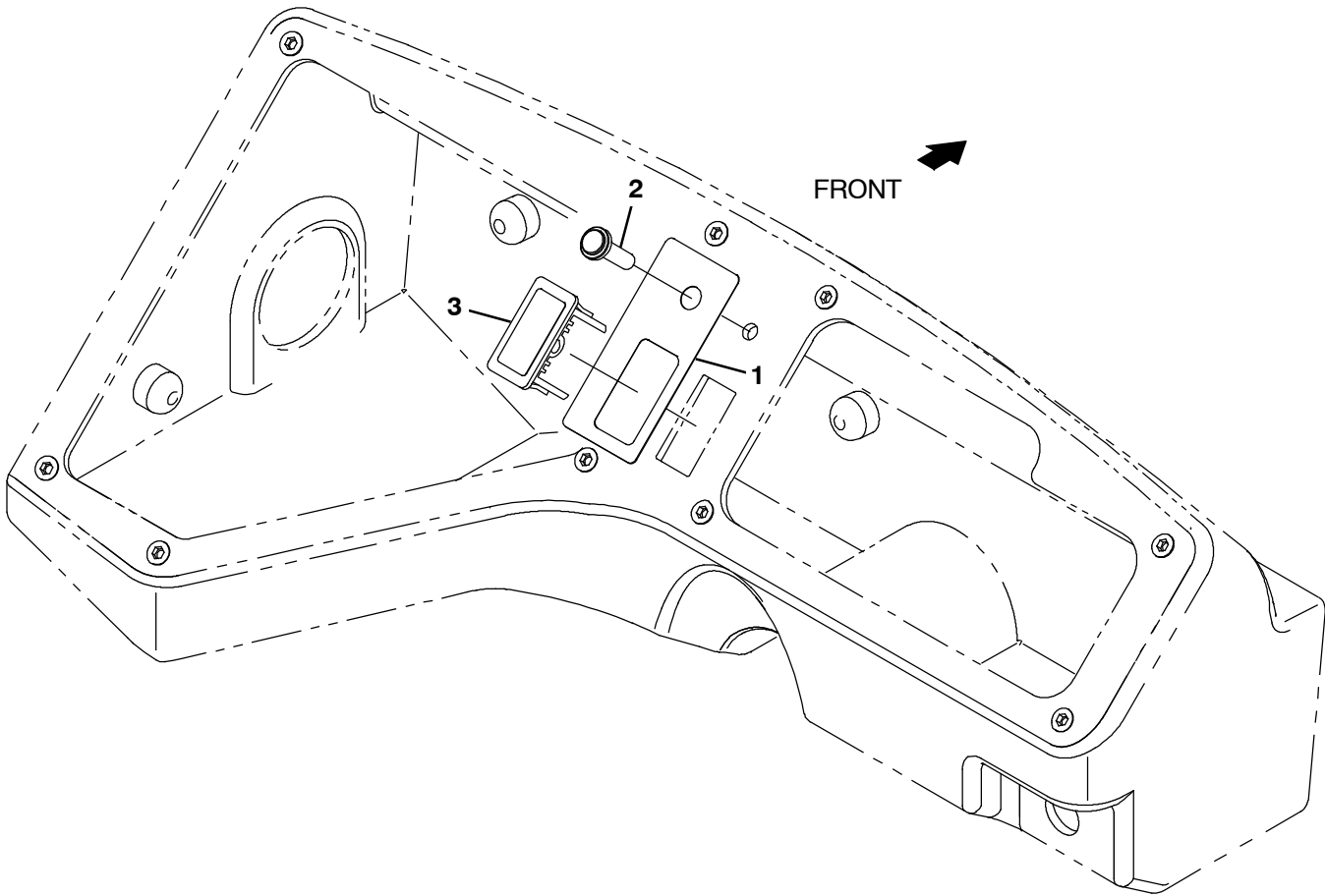
Fig. 29 - HEPA Filter Exhaust Cover Group



**Fig. 29 - HEPA Filter Exhaust Cover Group**

<b>Ref.</b>	<b>Part No.</b>	<b>Serial Number</b>	<b>Description</b>	<b>Qty.</b>
1	1239318	(006501-	) Cover, Rm- Cptl, Trimmed, Re- Work	1
2	1235750	(006501-	) Bracket, Angle, Lintel	1
3	1234409	(006501-	) Bracket Wldt, Tube Outlet [Gen li S30]	1
4	1234899	(006501-	) Gasket, Foam Seal, Hepa Exhaust [S30]	1
5	1235630	(006501-	) Bracket Wldt, Exhaust, Hepa [Gen li S30]	1
6	1235628	(006501-	) Flap, Outlet, Hepa, [Gen li S30]	1
7	314050	(006501-	) Nut, Isolator, 10- 32, .015- .192	8
8	140841	(006501-	) Screw, Pan, Phl, 10- 32 X 0.62, Ss	8
9	48419	(006501-	) Screw, Hex, .25- 20 X 3.50, G5	1
10	43454	(006501-	) Washer, Flat, 0.34b 0.69d .06, Nyl	2
11	01684	(006501-	) Washer, Flat, 0.27b 0.69d .05, Ss	2
12	32981	(006501-	) Nut, Hex, Lock, .25- 20, NI	1
13	1015273	(006501-	) Seal, Afmkt, Bulb, Str, 0.76, 0.93w 02ft	1
14	1036892	(006501-	) Screw, Hex, M6 X 1.00 X 25, 9.8, Sems	2

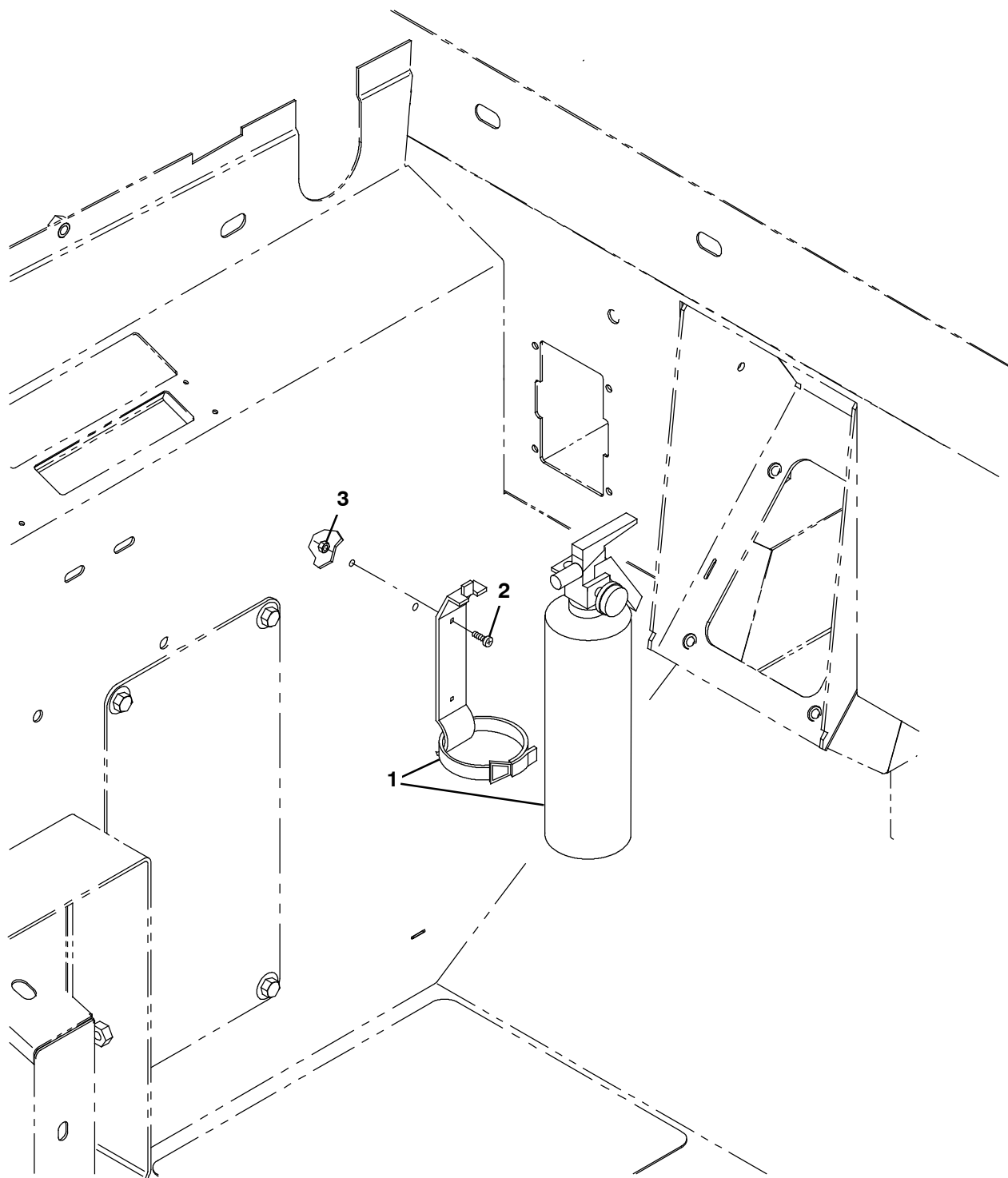
**Fig. 30 - HEPA Filter Electrical Group**



356801

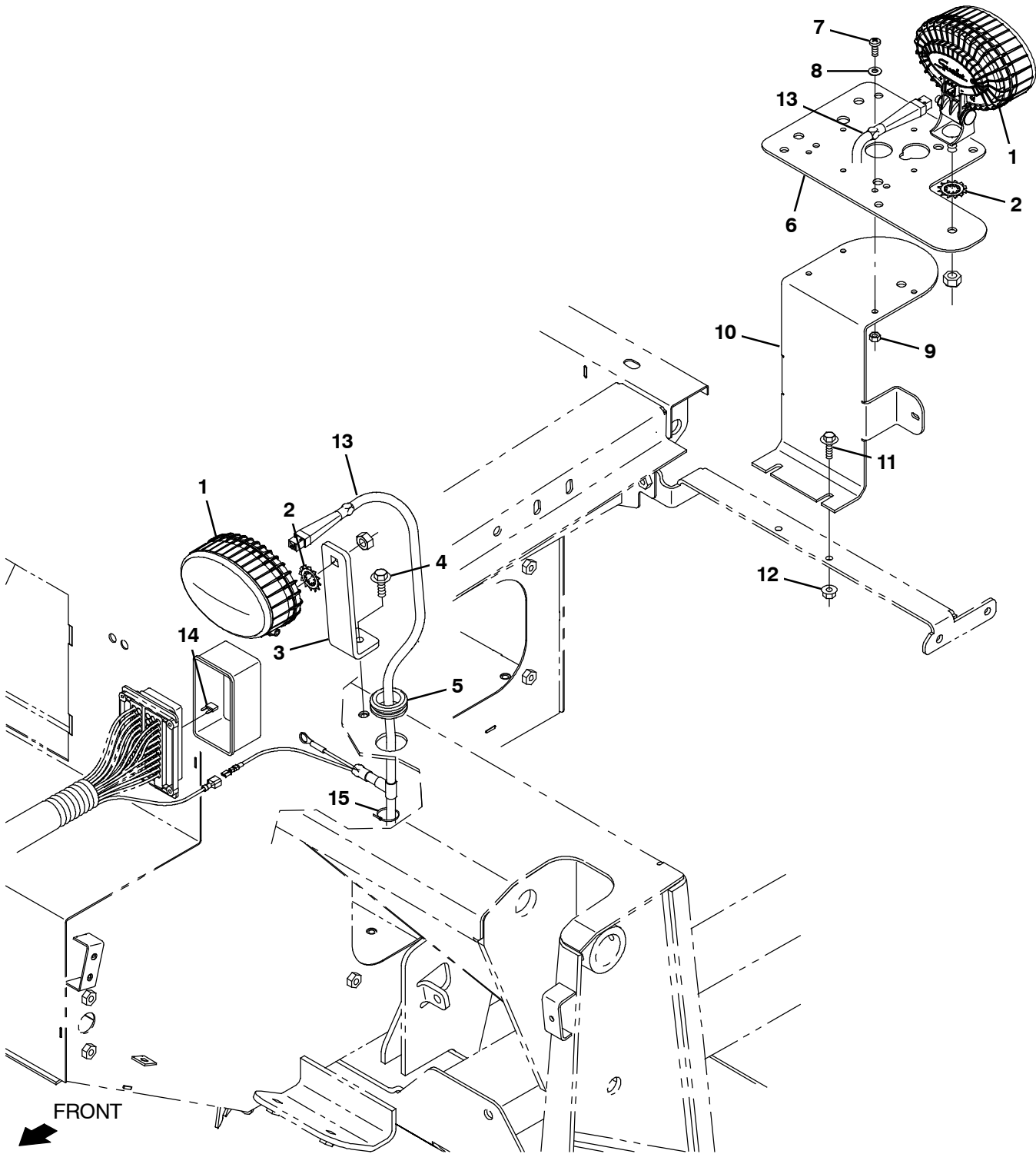
Ref.	Part No.	Serial Number	Description	Qty.
1	1237915	(006501-	) Label Set, Fltr, Hepa [S20&S30]	1
2	1232342	(006501-	) Light, Led, .312d, 12 Vdc [Tri- Color]	1
3	398501	(006501-	) Plug, Hole, Rt, Rocker Switch, .87 X 1.7	1
4	1239358	(006501-	) Harness, Light, Ind, Hepa Filter [S30]	1

Fig. 31 - Fire Extinguisher Kit



Ref.	Part No.	Serial Number	Description	Qty.
▽	9003933	(006501-	) Extinguisher Kit, Fire, Ci [S30]	1
▲	1 25312	(006501-	) Extinguisher, Fire, 2.5 Lb Dry	1
▲	2 06933	(006501-	) Screw, Pan, M5 X 0.80 X 16, 4.8	2
▲	3 06549	(006501-	) Nut, Hex, Lock, M5 X 0.80, NI	2

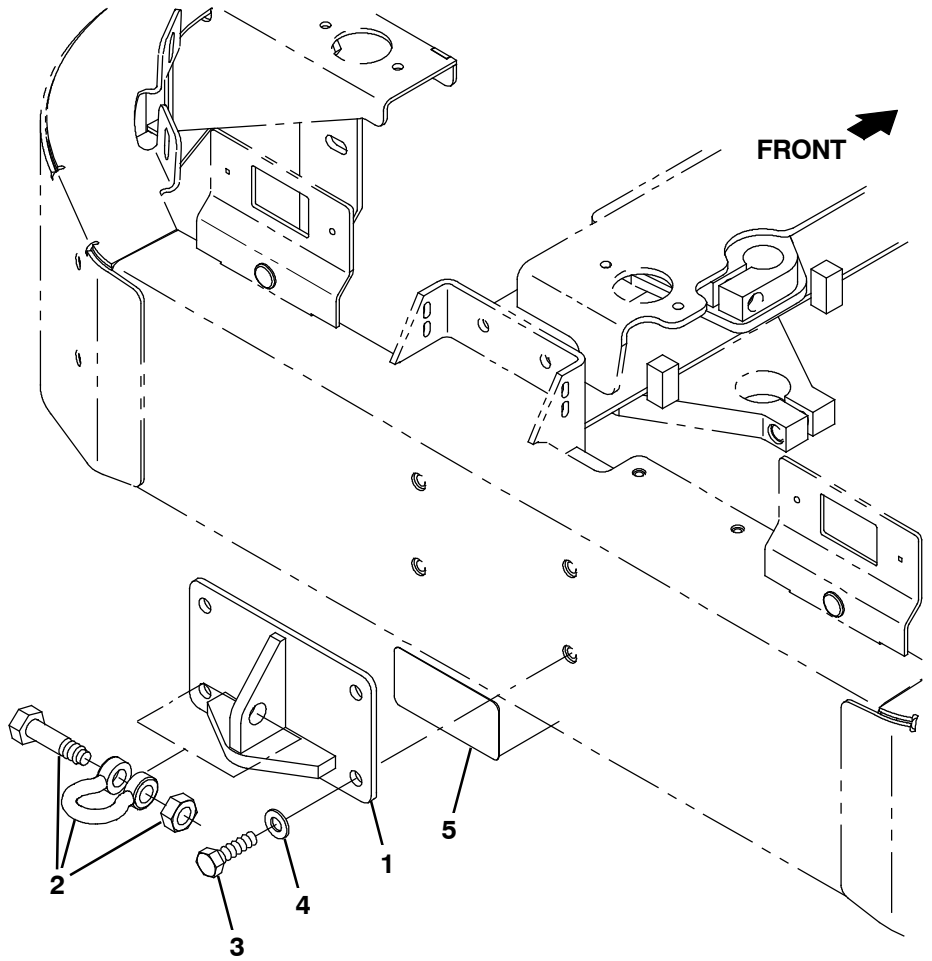
Fig. 32 - Spotlight Kit, Blue



**Fig. 32 - Spotlight Kit, Blue**

	<b>Ref.</b>	<b>Part No.</b>	<b>Serial Number</b>	<b>Description</b>	<b>Qty.</b>
▽		9020927	(006501-	) Spotlight, Blue, Ci [S30]	1
▲	1	1240687	(006501-	) Light, Spot, Blue, Led	2
▲	2	41143	(006501-	) Washer, Lock, Int- Ext, 0.50	2
▲	3	1076786	(006501-	) Brkt, Blu Spotlight, Fr, Frame Mtg	1
▲	4	1037354	(006501-	) Screw, Hex, M8 X 1.25 X 30, 9.8, Sems	1
▲	5	10632- 1	(006501-	) Grommet, Rbr, 1.06id, F/1.4h, .19 Matl	1
▲	6	1076789	(006501-	) Brkt, Blu Spotlight, Rr, Frame Mtg	1
▲	7	06933	(006501-	) Screw, Pan, Phl, M5x0.80x16, 4.8	4
▲	8	19066	(006501-	) Washer, Flat, 0.25b 0.56d .05, Pl, 10	4
▲	9	06549	(006501-	) Nut, Hex, M5 X 0.80 X 16, 8.8	4
▲	10	1061140	(006501-	) Bracket, Alarm, Backup	1
▲	11	1036892	(006501-	) Screw, Hex, M6 X 1.00 X 25, 9.8, Sems	2
▲	12	07790	(006501-	) Nut, Hex, Flng, M6 X 1.00	2
▲	13	1076776	(006501-	) Harness, Blu Spotlight [S30]	1
▲	14	1049734	(006501-	) Fuse, Blade, 005a, 32vdc [Mini]	1
▲	15	763114	(006501-	) Tie, Cable, 11.3l, 2.75d Max	10

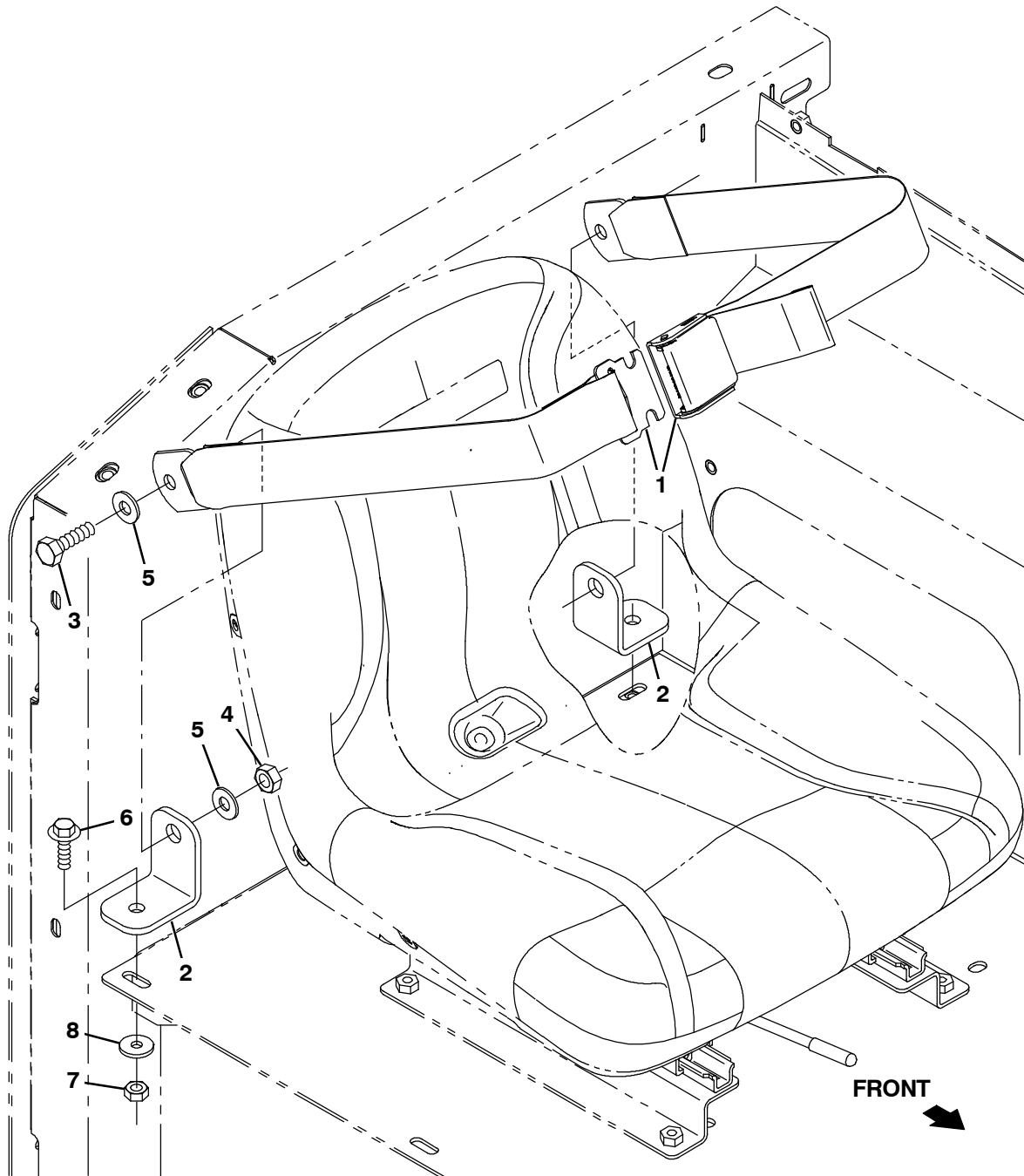
**Fig. 33 - Tow Hook Group**



357155

Ref.	Part No.	Serial Number	Description	Qty.
1	1076795	(006501- )	Plate Wldt, Winch Hook	1
2	1076741	(006501- )	Anchor [Shackle], .625 Thick	1
3	06968	(006501- )	Screw, Hex, M12 X 1.75 X 35, 8.8	4
4	32486	(006501- )	Washer, Flat, 0.53b 1.06d .10, Stl, Pl	4
5	1251735	(006501- )	Label, Hook, Winch	1

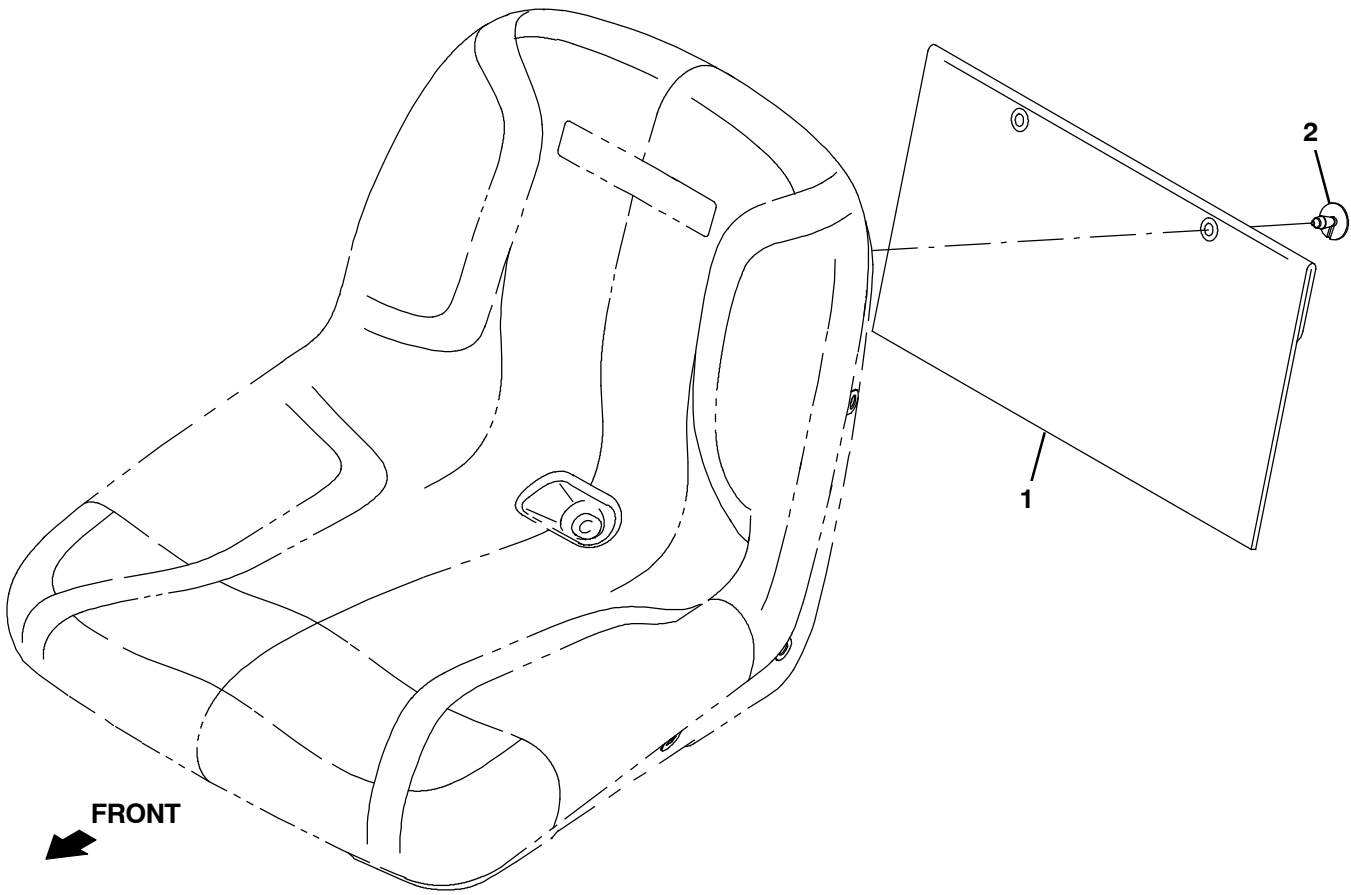
Fig. 34 - Seat Belt Group



357156

Ref.	Part No.	Serial Number	Description	Qty.
1	30533	(006501-	) Seatbelt, 60.0l, Orange	1
2	1076953	(006501-	) Bracket, Seatbelt, Mtg [S30]	2
3	03192	(006501-	) Screw, Hex, M10 X 1.50 X 30, 8.8	2
4	41430	(006501-	) Nut, Hex, Lock, M10 X 1.5, NI	4
5	32492	(006501-	) Washer, Flat, 0.38, Std	4
6	1037354	(006501-	) Screw, Hex, M8 X 1.25 X 30, 9.8, Sems	2
7	08709	(006501-	) Nut, Hex, Lock, M8 X 1.25, NI	2
8	1017218	(006501-	) Washer, Flat, 0.32b 1.00d .12, Ss	2

**Fig. 35 - Weather Proof Pouch Group**



357134

	<b>Ref.</b>	<b>Part No.</b>	<b>Serial Number</b>	<b>Description</b>	<b>Qty.</b>
▽		9020593	(000000-	) Pouch, Manual, Weather Proof	1
▲	1	68275	(000000-	) Pouch	1
▲	2	72968	(000000-	) Rivet, Plstc, .250d X 0.90	2

**Fig. 36 - Documentation Group (Online Only)**

<b>Ref.</b>	<b>Part No.</b>	<b>Serial Number</b>	<b>Description</b>	<b>Qty.</b>
	9004080	(006501-	) Manual, Oprtr [S30, Gas/Lpg EN Na]	1
	9004081	(006501-	) Manual, Oprtr [S30, Gas/Lpg ES Na]	1
	9004082	(006501-	) Manual, Oprtr [S30, Gas/Lpg FR Na]	1
	9004083	(006501-	) Manual, Oprtr [S30, Gas/Lpg JP]	1
	9004643	(006501-	) Manual, Oprtr [S30 Gas/Lpg, Cn]	1
	9004669	(006501-	) Manual, Oprtr [S30 Gas/Lpg, Pt, Br]	1
	9013316	(006501-	) Manual, Parts [S30, Gas/Lpg En]	1
	9004086	(006501-	) Manual, Service [S30 EN]	1
	372863	(006501-	) Manual, Service, Eng[Gm1.6l Em Cert]	1
	371790	(006501-	) Manual, Service, Eng [Gm1.6l]	1
	9013317	(006501-	) Instr, Use & Care, WallChart [S30] (ONLINE ONLY)	1
	9010635	(006501-	) Manual, Cd- Rom, Engine [Mit 2.0l]	1



To view, print, or download the latest Parts manual, other language Operator manuals, and Use and Care Guides (wall charts) visit:

[www.tennantco.com/manual](http://www.tennantco.com/manual)



## SECTION 4

Contents	Page
Fig. 1 - Hydraulic Steering Valve Breakdown, 1024260 .....	4- 2
Fig. 2 - Hydraulic Valve Breakdown, 1040091 .....	4- 4
Fig. 3 - Hydraulic Valve Breakdown, 1034671 .....	4- 6
Fig. 4 - AC and Heater Box Breakdown, 1067918 .....	4- 8
Fig. 5 - Hydraulic Motor Breakdown, 1054901 .....	4- 10
Fig. 6 - Hydraulic Piston Pump Breakdown, 1054905 .....	4- 12
Fig. 7 - Seat Breakdown, 9018735 .....	4- 14

**Fig. 1 - Hydraulic Steering Valve Breakdown, 1024260**

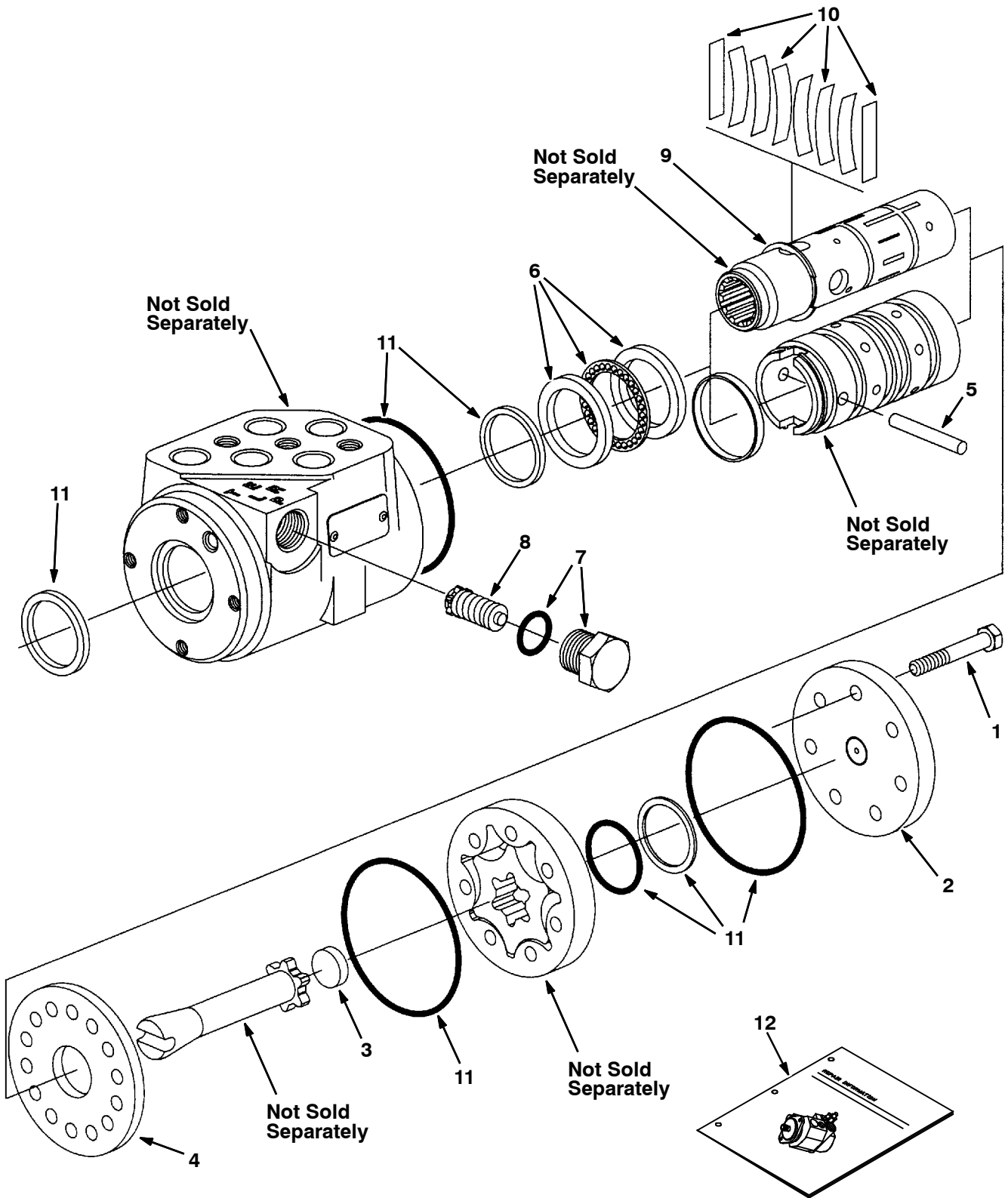


Fig. 1 - Hydraulic Steering Valve Breakdown, 1024260

	Ref.	Part No.	Serial Number	Description	Qty.
▽		1024260	(000000-	) Steer- Control, Hyd05, 06.1 2030	1
▲	1	74183	(000000-	) Screw, Valve, Steering	7
▲	2	74185	(000000-	) Cap, End, Valve, Steering	1
▲	3	74193	(000000-	) Spacer, Valve, Steering	1
▲	4	74222	(000000-	) Plate, Wear, Steering Valve	1
▲	5	74232	(000000-	) Pin, Valve, Steering	1
▲	6	21935	(000000-	) Bearing Kit [C]	1
▲	7	21933	(000000-	) Plug Assy [C]	1
▲	8	21934	(000000-	) Valve Assy, Relief [C]	1
▲	9	74243	(000000-	) Ring, Retainer, Steering Valve	1
▲	10	74196	(000000-	) Spring Kit, Scu [C]	1
▲	11	74244	(000000-	) Seal Kit, Steering [C]	1
▲	12	74245	(000000-	) Instr, Valve, Steering, Repair	1

**Fig. 2 - Hydraulic Valve Breakdown, 1040091**

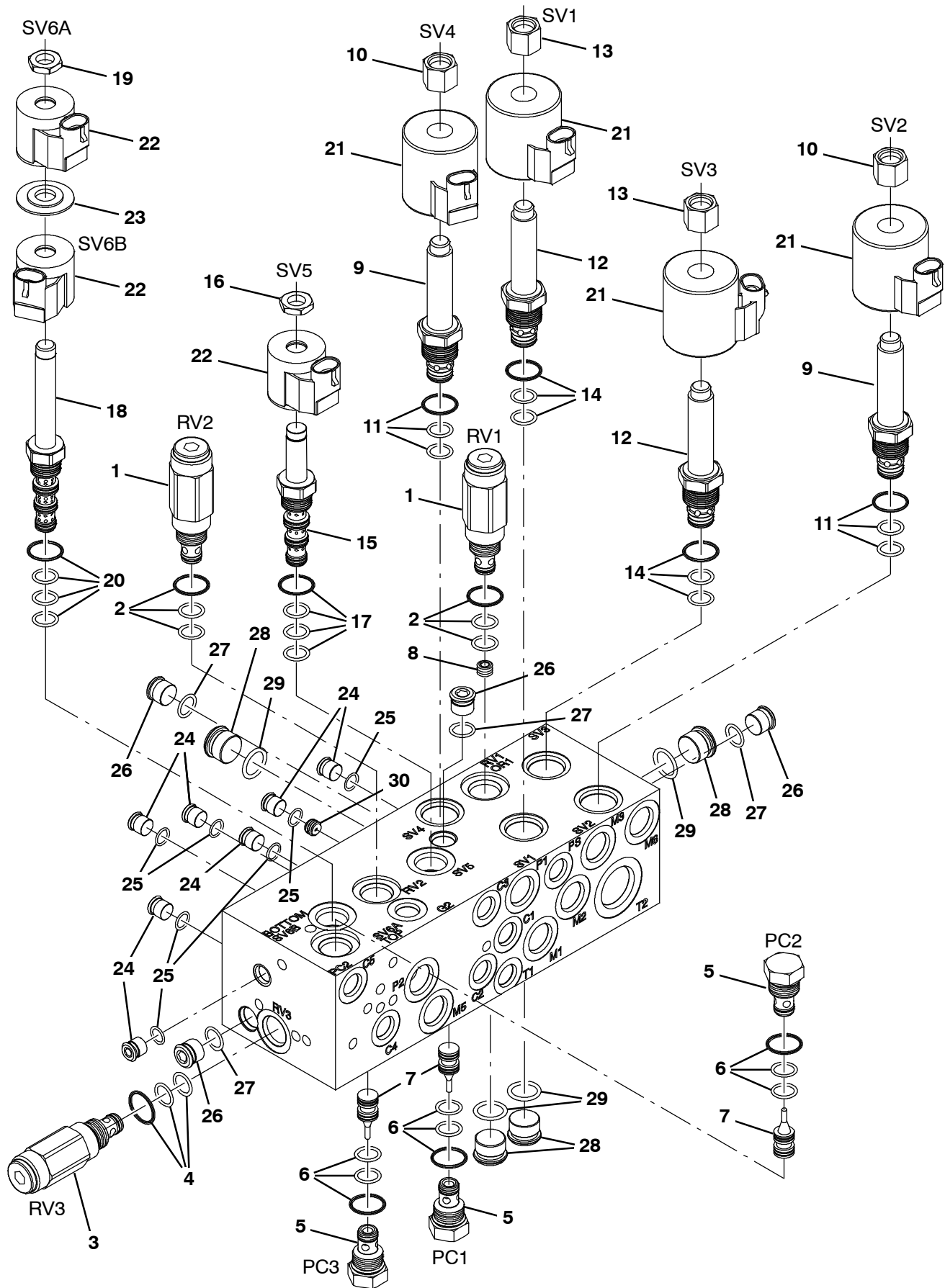


Fig. 2 - Hydraulic Valve Breakdown, 1040091

	Ref.	Part No.	Serial Number	Description	Qty.
▽		1040091	(000000-	) Valve, Hyd, Solenoid, 12vdc [06s]	1
▲▽	1	373691	(000000-	) Valve, Relief	2
▲▲	2	373647	(000000-	) Seal Kit, Cartridge	1
▲▽	3	373692	(000000-	) Valve, Relief	1
▲▲	4	373647	(000000-	) Seal Kit, Cartridge	1
▲▽	5	373656	(000000-	) Valve, Check	3
▲▲	6	373647	(000000-	) Seal Kit, Cartridge	1
▲	7	373658	(000000-	) Spool, Pilot, Hyd	3
▲	8	373694	(000000-	) Plug, Orifice, Valve, Hyd, .040	1
▲▽	9	373663	(000000-	) Valve, Stem, No	2
▲▲	10	373685	(000000-	) Nut, Coil, Nyl Patch	1
▲▲	11	373646	(000000-	) Seal Kit, Cartridge	1
▲▽	12	373690	(000000-	) Valve, Stem, No	2
▲▲	13	373685	(000000-	) Nut, Coil, Nyl Patch	1
▲▲	14	373646	(000000-	) Seal Kit, Cartridge	1
▲▽	15	373657	(000000-	) Stem, Valve, Hyd [4w2p]	1
▲▲	16	373684	(000000-	) Nut, Coil, Nyl Patch	1
▲▲	17	373647	(000000-	) Seal Kit, Cartridge	1
▲▽	18	373637	(000000-	) Valve, Cntrl, Solenoid	1
▲▲	19	373684	(000000-	) Nut, Coil, Nyl Patch	1
▲▲	20	373647	(000000-	) Seal Kit, Cartridge	1
▲	21	373642	(000000-	) Solenoid, #10, 12vdc	4
▲	22	373640	(000000-	) Solenoid, #8, 12vdc	3
▲	23	373639	(000000-	) Spacer, Coil, #8	1
▲▽	24	74098	(000000-	) Fitting, Hyd, Plug, Om04	7
▲▲	25	77003	(000000-	) Seal, Org, .072 X 00.35id #04	1
▲▽	26	13904	(000000-	) Fitting, Plug, Org, #6, Valve [Cec]	4
▲▲	27	77005	(000000-	) Seal, Org, .078 X 00.47id #06	1
▲▽	28	13907	(000000-	) Fitting, Hyd, Plug, Om08	4
▲▲	29	77006	(000000-	) Seal, Org, .087 X 00.64id #08	1
▲	30	373665	(000000-	) Plug, Orifice, Valve, Hyd, .046	1

**Fig. 3 - Hydraulic Valve Breakdown, 1034671**

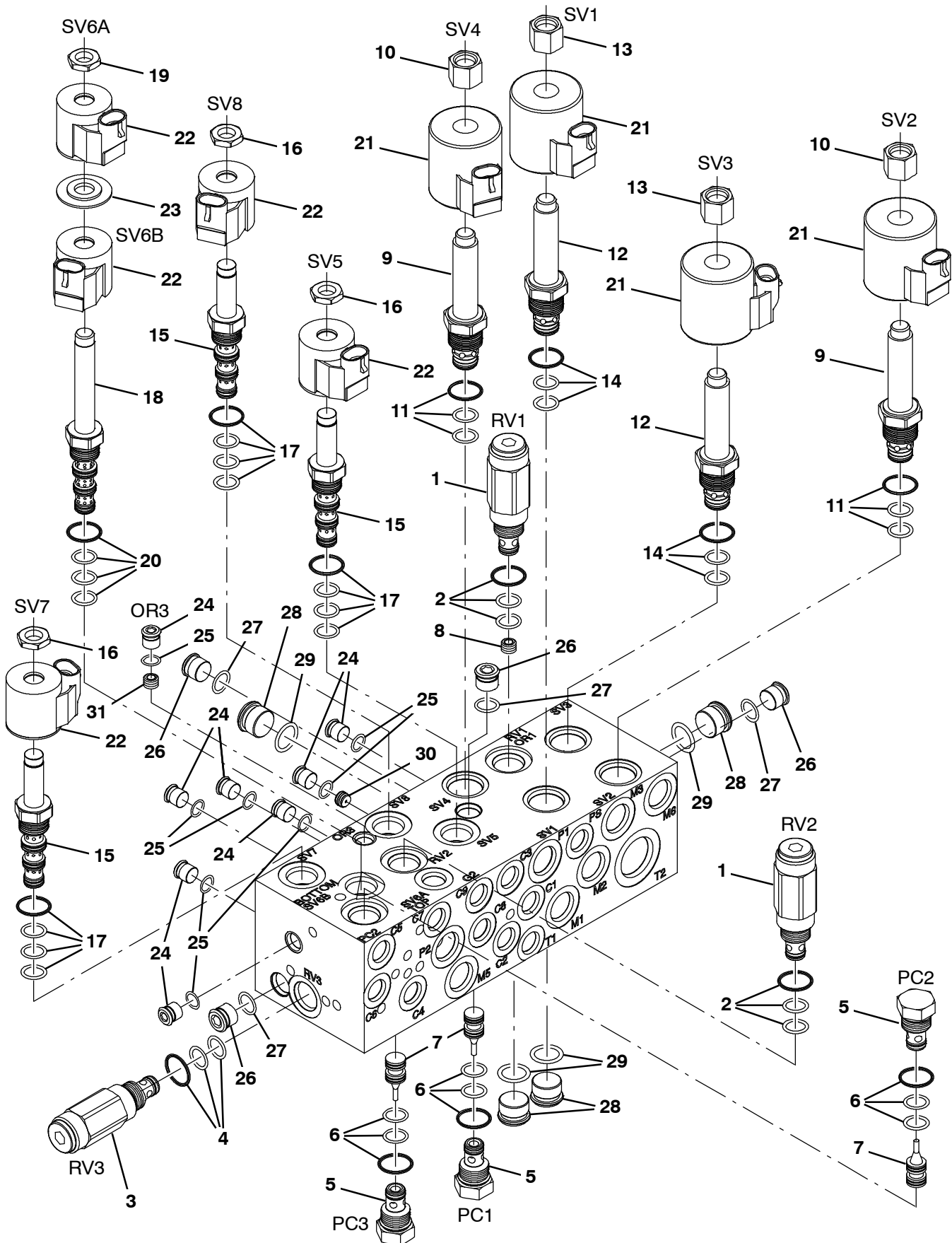


Fig. 3 - Hydraulic Valve Breakdown, 1034671

	Ref.	Part No.	Serial Number	Description	Qty.
▽		1034671	(000000-	) Valve, Hyd, Solenoid, 12vdc [06s]	1
▲▽	1	373691	(000000-	) Valve, Relief	2
▲▲	2	373647	(000000-	) Seal Kit, Cartridge	1
▲▽	3	373692	(000000-	) Valve, Relief	1
▲▲	4	373647	(000000-	) Seal Kit, Cartridge	1
▲▽	5	373656	(000000-	) Valve, Check	3
▲▲	6	373647	(000000-	) Seal Kit, Cartridge	1
▲	7	373658	(000000-	) Spool, Pilot, Hyd	3
▲	8	373694	(000000-	) Plug, Orifice, Valve, Hyd, .040	1
▲▽	9	373663	(000000-	) Valve, Stem, No	2
▲▲	10	373685	(000000-	) Nut, Coil, Nyl Patch	1
▲▲	11	373646	(000000-	) Seal Kit, Cartridge	1
▲▽	12	373690	(000000-	) Valve, Stem, No	2
▲▲	13	373685	(000000-	) Nut, Coil, Nyl Patch	1
▲▲	14	373646	(000000-	) Seal Kit, Cartridge	1
▲▽	15	373657	(000000-	) Stem, Valve, Hyd [4w2p]	3
▲▲	16	373684	(000000-	) Nut, Coil, Nyl Patch	1
▲▲	17	373647	(000000-	) Seal Kit, Cartridge	1
▲▽	18	373637	(000000-	) Valve, Cntrl, Solenoid	1
▲▲	19	373684	(000000-	) Nut, Coil, Nyl Patch	1
▲▲	20	373647	(000000-	) Seal Kit, Cartridge	1
▲	21	373642	(000000-	) Solenoid, #10, 12vdc	4
▲	22	373640	(000000-	) Solenoid, #8, 12vdc	5
▲	23	373639	(000000-	) Spacer, Coil, #8	1
▲▽	24	74098	(000000-	) Fitting, Hyd, Plug, Om04	8
▲▲	25	77003	(000000-	) Seal, Org, .072 X 00.35id #04	1
▲▽	26	13904	(000000-	) Fitting, Plug, Org, #6, Valve [Cec]	4
▲▲	27	77005	(000000-	) Seal, Org, .078 X 00.47id #06	1
▲▽	28	13907	(000000-	) Fitting, Hyd, Plug, Om08	4
▲▲	29	77006	(000000-	) Seal, Org, .087 X 00.64id #08	1
▲	30	373665	(000000-	) Plug, Orifice, Valve, Hyd, .046	1
▲	31	373693	(000000-	) Plug, Orifice, Valve, Hyd, .035	1

**Fig. 4 - AC and Heater Box Breakdown, 1067918**

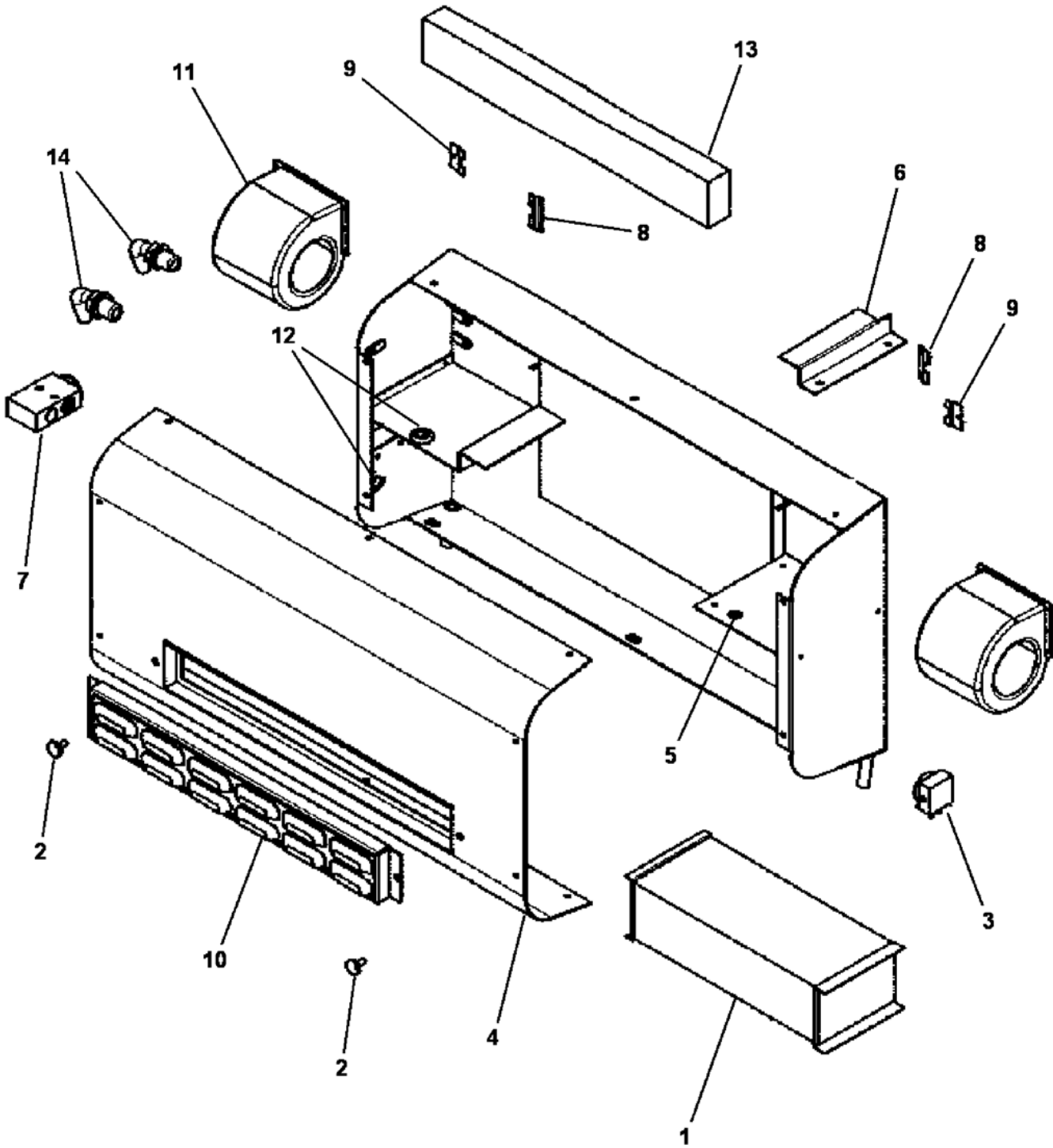


Fig. 4 - AC and Heater Box Breakdown, 1067918

Ref.	Part No.	Serial Number	Description	Qty.
▽	1067918	(000000-	) Heater & A/C Assy, W/Fan	1
▲	1	9004590	(000000- ) Coil, Heater / Evaporator	1
▲	2	9004591	(000000- ) Knob	2
▲	3	9004592	(000000- ) Thermostat, Heater/Air	1
▲	4	9004593	(000000- ) Cover	1
▲	5	9004594	(000000- ) Grommet, Rbr, .25ld .375Od	1
▲	6	9004595	(000000- ) Bracket, Coil, Mtg	1
▲	7	9004596	(000000- ) Valve, Expansion	1
▲	8	9004597	(000000- ) Clip, Keeper, Blower Mtg	2
▲	9	9004598	(000000- ) Clip, Keeper, Blower Mtg	2
▲	10	9004599	(000000- ) Cover, Access	1
▲	11	9004600	(000000- ) Blown, Fan, Motor	2
▲	12	9004601	(000000- ) Grommet, Rbr, .50ld 1.0Od	2
▲	13	9004602	(000000- ) Filter	1
▲	14	9004603	(000000- ) Fitting, E90, Bm10/Pm08	2

**Fig. 5 - Hydraulic Motor Breakdown, 1054901**

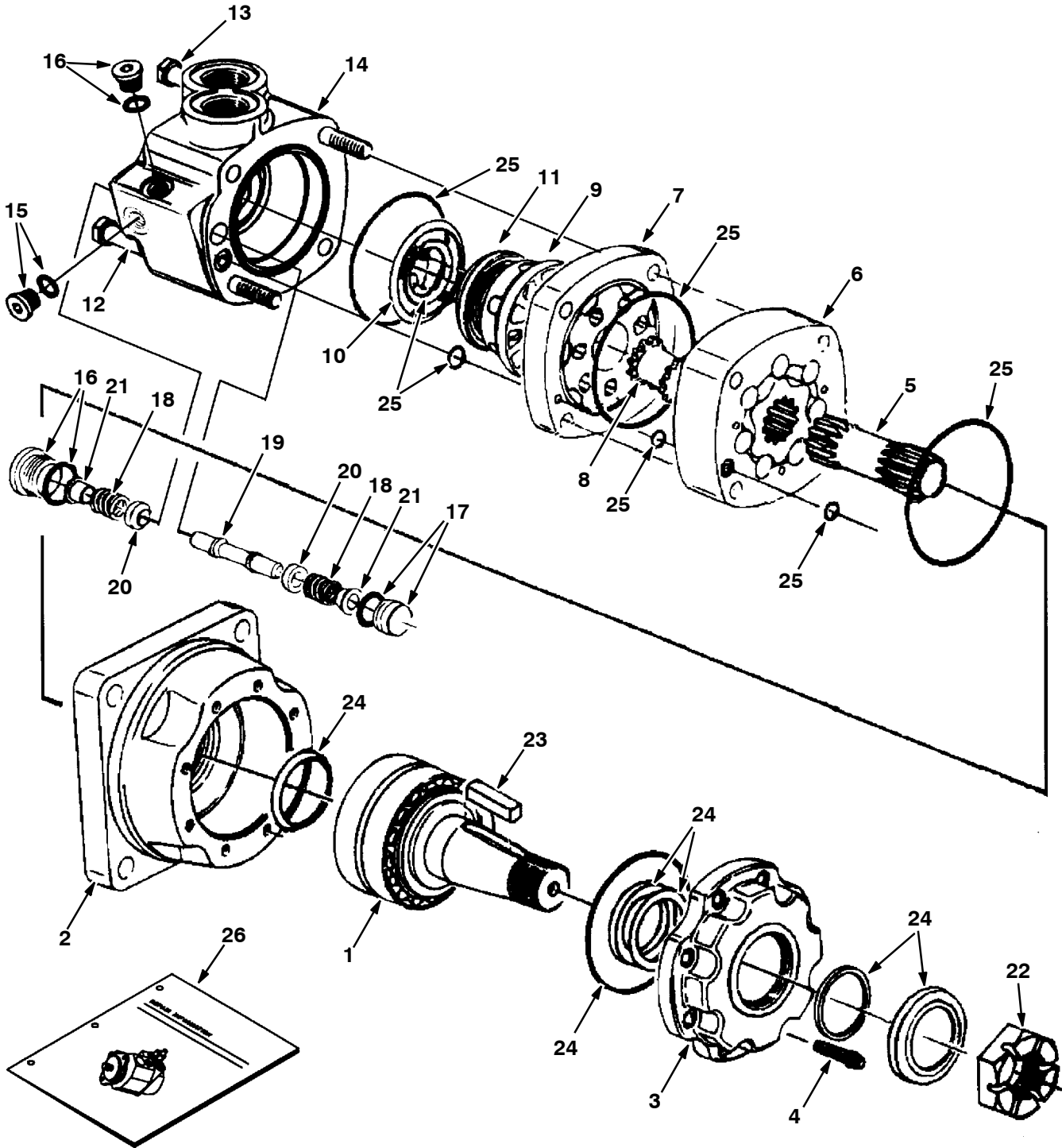


Fig. 5 - Hydraulic Motor Breakdown, 1054901

Ref.	Part No.	Serial Number	Description	Qty.
▽	1054901	(000000-	) Motor, Hyd, Gear, Int 17.1 Bi- dir 3000	1
▲	1 74165	(000000-	) Shaft, Motor, Hyd	1
▲	2 74166	(000000-	) Housing, Brg, Motor, Hyd	1
▲	3 74167	(000000-	) Retainer, Motor, Hyd	1
▲	4 74168	(000000-	) Screw, Cap, Motor, Hyd	8
▲	5 373435	(000000-	) Drive, Motor, Hyd	1
▲	6 373436	(000000-	) Geroler, Motor, Hyd	1
▲	7 74122	(000000-	) Plate, Valve, Motor, Hyd	1
▲	8 52405	(000000-	) Valve, Motor, Hyd	1
▲	9 74123	(000000-	) Valve, Motor, Hyd	1
▲	10 34178	(000000-	) Spring, Motor, Hyd	2
▲	11 38968	(000000-	) Ring, Motor, Hyd	1
▲	12 373437	(000000-	) Bolt, Motor, Hyd	3
▲	13 373438	(000000-	) Bolt, Motor, Hyd	1
▲	14 373297	(000000-	) Housing, Valve	1
▲	15 373298	(000000-	) Plug	1
▲	16 373545	(000000-	) Plug, Pump, Hyd, Gear	2
▲	17 373299	(000000-	) Plug	1
▲	18 373291	(000000-	) Spring	2
▲	19 373543	(000000-	) Piston, Pump, Hyd, Gear	1
▲	20 373226	(000000-	) Poppet, Pump, Hyd, Gear	2
▲	21 373236	(000000-	) Sleeve, Dashpo, Pump, Hyd, Gear	2
▲	22 45622	(000000-	) Nut, Motor, Hyd	1
▲	23 45623	(000000-	) Key, Motor, Hyd	1
▲	24 79828	(000000-	) Seal Kit, Shaft [CI]	1
▲	25 33580	(000000-	) Seal Kit, Rear [CI]	1
	26 74249	(000000-	) Instr, Repair, Motor, Hyd, Gear	1

**Fig. 6 - Hydraulic Piston Pump Breakdown, 1054905**

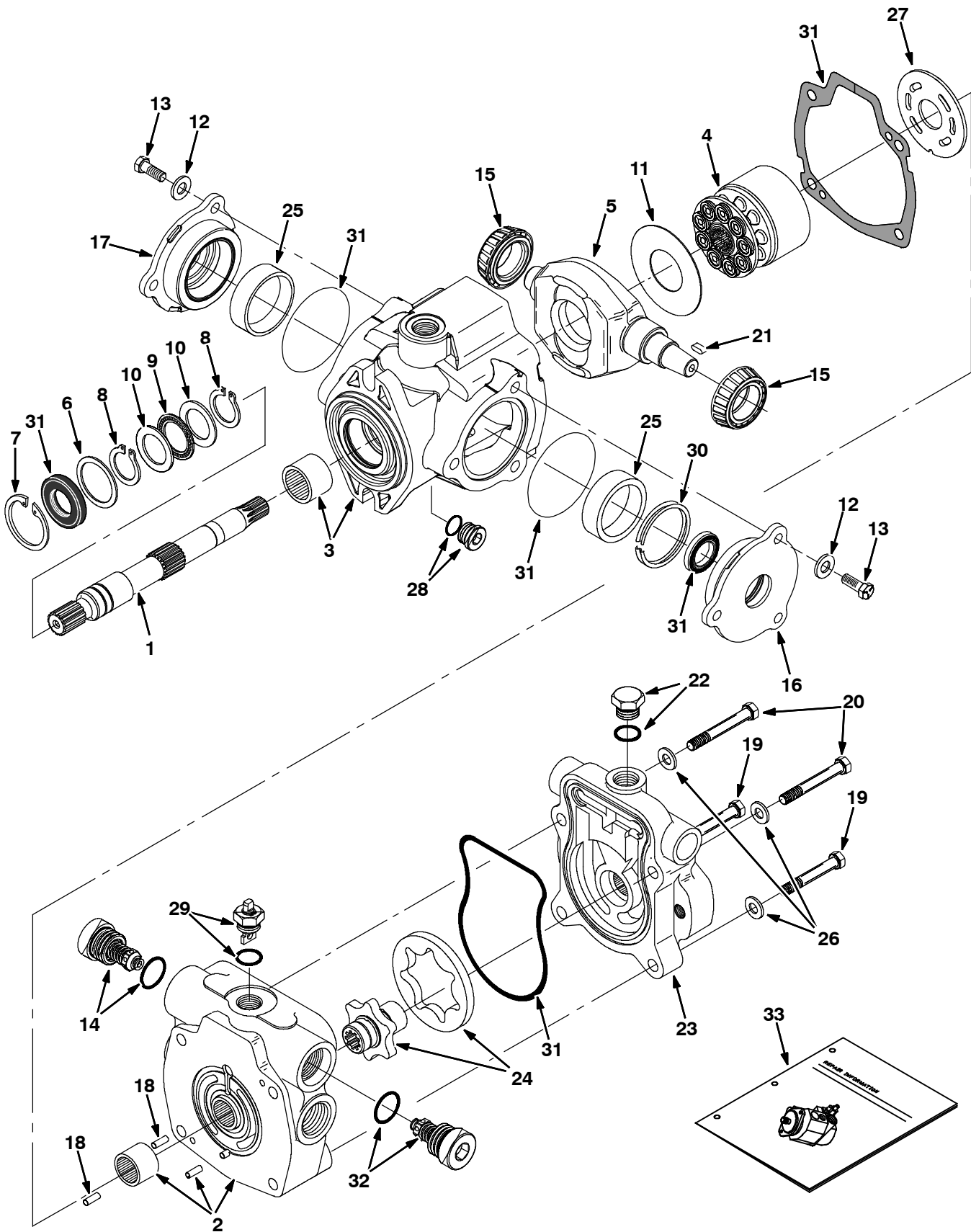


Fig. 6 - Hydraulic Piston Pump Breakdown, 1054905

Ref.	Part No.	Serial Number	Description	Qty.	
▽	1054905	(000000-	) Pump, Hyd, Piston, Var, 1.24 4500, Cw	1	
▲	1	373699	(000000-	) Driveshaft, Pump, Hyd	1
▲	2	373430	(000000-	) Cover, End	1
▲	3	373389	(000000-	) Housing	1
▲	4	02706	(000000-	) Kit, Rotating, Pump, Hyd	1
▲	5	373493	(000000-	) Cam	1
▲	6	70096	(000000-	) Washer, Flt, Pump, Hyd	1
▲	7	55926	(000000-	) Ring, Retaining, Pump, Hyd	1
▲	8	373434	(000000-	) Ring, Retaining	2
▲	9	74225	(000000-	) Bearing, Thrust, Pump, Hyd	1
▲	10	74226	(000000-	) Race, Bearing, Pump, Hyd	2
▲	11	373327	(000000-	) Insert, Plate, Cam, Pump, Hyd	1
▲	12	373391	(000000-	) Washer, Pump, Hyd	6
▲	13	373346	(000000-	) Screw, Cap	6
▲	14	74259	(000000-	) Valve, Relief, Pump	1
▲	15	373317	(000000-	) Bearing, Cone, Pump, Hyd	2
▲	16	373393	(000000-	) Plate, Cover	1
▲	17	373394	(000000-	) Plate, Cover	1
▲	18	70100	(000000-	) Pin, Dowel, Pump, Hyd	2
▲	19	373336	(000000-	) Screw, Cap, Pump, Hyd	2
▲	20	373337	(000000-	) Screw, Cap, Pump, Hyd	2
▲	21	74237	(000000-	) Key, Shaft, Pump, Hyd	1
▲	22	13907	(000000-	) Fitting, Plug, O- Ring	1
▲	23	373700	(000000-	) Adaptor Assy, Pump, Hyd	1
▲	24	373701	(000000-	) Gerotor, Pump, Hyd	1
▲	25	373395	(000000-	) Bearing, Cup	2
▲	26	373396	(000000-	) Washer	4
▲	27	74180	(000000-	) Plate, Valve, Pump, Hyd	1
▲	28	13907	(000000-	) Fitting, Plug, O- Ring	1
▲	29	373413	(000000-	) Actuator, Valve, Bypass	1
▲	30	373402	(000000-	) Kit, Shim	1
▲	31	373398	(000000-	) Kit, Seal, Hyd, Pump	1
▲	32	373431	(000000-	) Valve, Relief, 3500psi	1
▲	33	373429	(000000-	) Instr, Repair, Pump	1

**Fig. 7 - Seat Breakdown, 9018735**

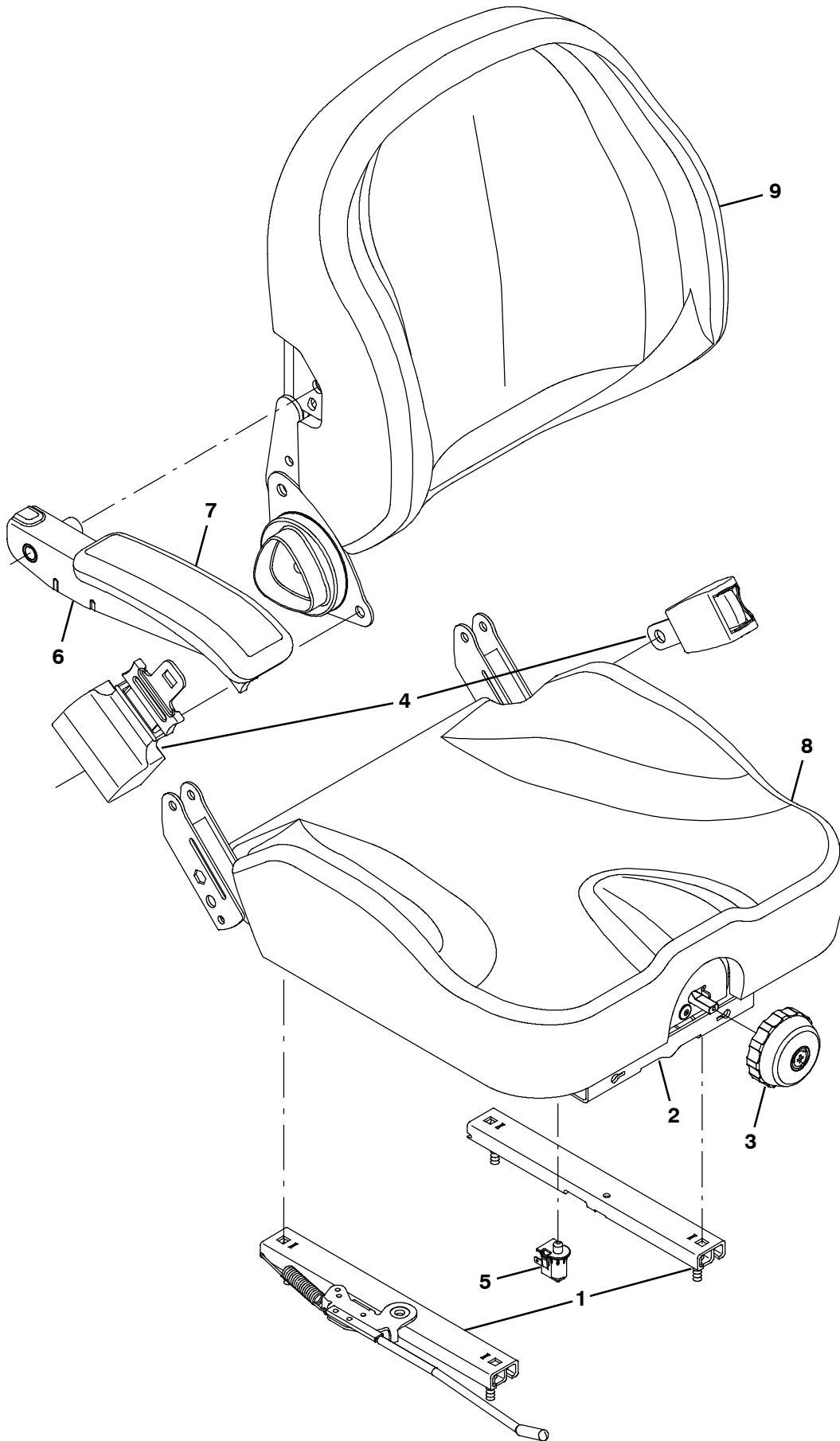


Fig. 7 - Seat Breakdown, 9018735

	Ref.	Part No.	Serial Number	Description	Qty.
▽		9018735	(000000-	) Seat, Deluxe, Replmt [S30]	1
▲	1	9012585	(000000-	) Track Assy, Slide	1
▲	2	9012587	(000000-	) Bellows, Seat	1
▲	3	9012589	(000000-	) Knobs, Adjmt, Weight	1
▲	4	9018734	(000000-	) Seatbelt, Retract, Orange, Replmt	1
▲	5	9012591	(000000-	) Switch, Seat	1
▲	6	9012592	(000000-	) Armrest	1
▲	7	9012593	(000000-	) Pad, Armrest	1
▲	8	9012594	(000000-	) Cover, Cushion	1
▲	9	9012595	(000000-	) Cover, Backrest	1



# SECTION 5

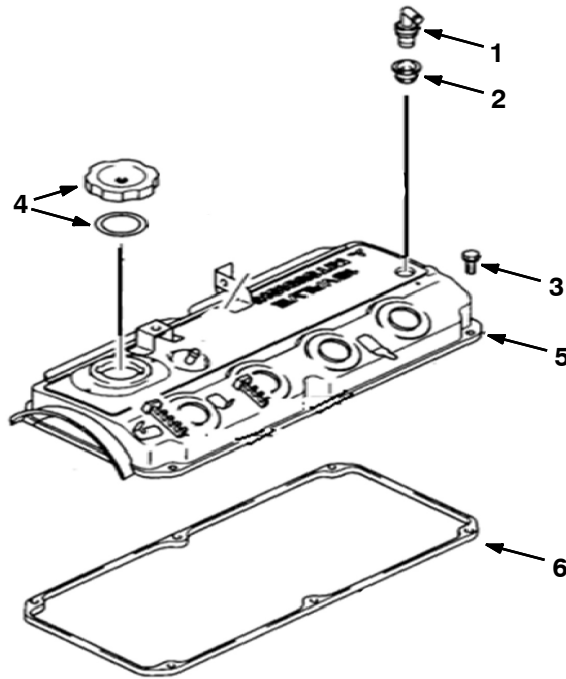
<b>Contents</b>	<b>Page</b>
Fig. 1 - Cylinder Block Group .....	5- 2
Fig. 2 - Rocker Cover Group .....	5- 4
Fig. 3 - Cylinder Head Group .....	5- 5
Fig. 4 - Front Cover and Oil Pan Group .....	5- 6
Fig. 5 - Camshaft and Valve Group .....	5- 8
Fig. 6 - Piston and Crankshaft Group .....	5- 10
Fig. 7 - Balancer Group .....	5- 11
Fig. 8 - Oil Pump and Pressure Switch Group .....	5- 12
Fig. 9 - Water Pump Group .....	5- 13
Fig. 10 - Intake Manifold Gasket Group .....	5- 14
Fig. 11 - Exhaust Manifold Gasket Group .....	5- 16
Fig. 12 - Fan Tensioner and Pump Mount Group .....	5- 17
Fig. 13 - Flywheel Group .....	5- 18
Fig. 14 - Ignition Coil and Spark Plug Group .....	5- 19
Fig. 15 - Starter / Alternator Group .....	5- 20
Fig. 16 - Remote Oil Filter Group .....	5- 21
Fig. 17 - Coolant Group .....	5- 22
Fig. 18 - DSR Coolant Group, LPG Engine ...	5- 23
Fig. 19 - Electrical Group .....	5- 24
Fig. 20 - Fuel Rail Group, Gasoline Engine ...	5- 26
Fig. 21 - Throttle Body Group, Gasoline Engine .....	5- 27
Fig. 22 - Throttle Body Group, LPG Engine ...	5- 28
Fig. 23 - Vaporizer Group, LPG Engine .....	5- 29
Fig. 24 - Electronic Pressure Regulator (EPR) Group, LPG Engine .....	5- 30



**Fig. 1 - Cylinder Block Group**

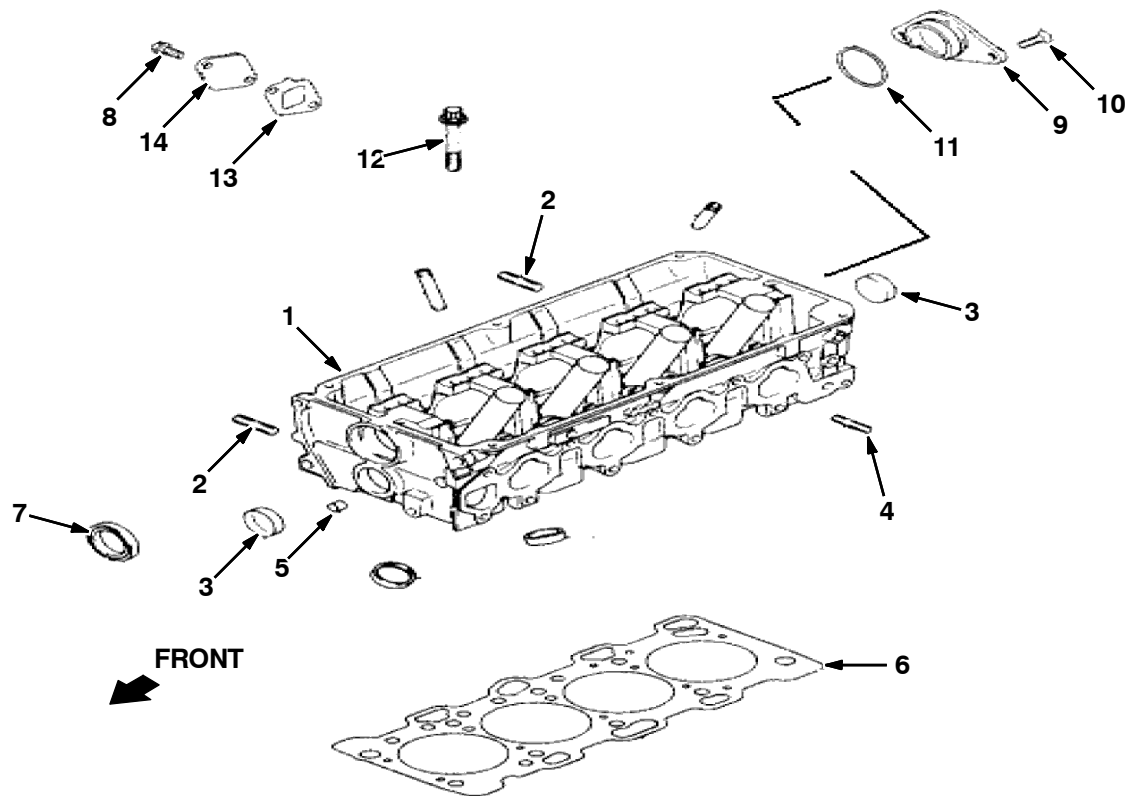
Ref.	Part No.	Description	Qty.	
▽	1	9010419	Block Assy, Cylinder	1
▲	2	9010420	Plug, Taper	2
▲	3	9010421	Plug, Taper	1
▲	4	9010422	Plug	1
▲	5	9010423	Plug, Taper	1
▲	6	9010424	Cap, Seal	7
▲	7	9010425	Cap, Seal	2
▲	8	9010426	Pin, Dowel	2
▲	9	9010427	Bushing, Knock	2
▲	10	9010428	Bolt, Cap, Bearing	2
▲	11	9010429	Bolt, Cap, Bearing	7
▲	12	9010430	Bolt, Cap, Bearing	1
▲	13	9010431	Bushing	2
▲	14	9010432	Bearing, Std, Balancer	1
▲	14	9010433	Bearing, Oversize [1.0]	1
▲	15	9010434	Bearing, Std, Balancer	1
▲	15	9010435	Bearing, Oversize [1.0]	1
▲	16	9010436	Bushing, Knock	2
▲	17	9010458	Bearing, Shaft, Std, Balancer	1
▲	17	9010459	Bearing, Shaft, Balancer [ OvrSz]	1
▽	18	9010439	Dipstick Assy, Guage	1
▲	19	9010440	Dipstick, Guage, Guide	1
▲▽	20	9015866	Dipstick, Oil	1
▲▲	21	9010438	O- Ring	1
	22	9010441	Bolt, Flange	1
	23	9010442	O- Ring	1
	24	9010444	Bolt, Flange	5
	25	9010445	Seal, Case, Oil, Rear	1
	26	9010446	Seal, Oil	1
	27	9010447	Bearing, Cshft [Green Std 1,2,4,5]	4
	27	9010448	Bearing, Cshft [Yellow Std 1,2,4,5]	4
	27	9010449	Bearing, Cshft[No Color Std 1,2,4,5]	4
	27	9010450	Bearing, Cshft [ Lan Std 1,2,4,5]	4
	27	9010451	Bearing, Cshft [ Red Std 1,2,4,5]	4
	28	9010452	Bearing, Cshft [ Green Std 3]	1
	28	9010453	Bearing, Cshft [ Yellow Std 3]	1
	28	9010454	Bearing, Cshft [ No Color Std 3]	1
	28	9010455	Bearing, Cshft [ Lan Std 3]	1
	28	9010456	Bearing, Cshft [ Black Std 3]	1
	29	9010457	Bearing, Thrust, Cshft	1
	30	9010443	Drain, Water, Joint	1

**Fig. 2 - Rocker Cover Group**



Ref.	Part No.	Description	Qty.
1	9010460	Valve, Pcv	1
2	9010461	Valve, Gasket, Pcv	1
3	9010462	Bolt, Rocker, Cover	6
4	9010464	Cap, Oil, Filler	1
5	9010466	Cover Assy, Rocker	1
6	9010465	Gasket, Cover, Rocker	1

Fig. 3 - Cylinder Head Group



Ref.	Part No.	Description	Qty.
▽	1	9010467 [1] Head Assy, Cylinder	1
▲	2	9010473 Stud	2
▲	3	9010469 Seal, Cap	2
▲	4	9010470 Stud	3
▲	5	9010431 Bushing	2
▽	1	9014162 [2] Head Kit, Cyl [Mitsubishi 2015 12mm]	1
▲	2	9010473 Stud	2
▲	3	9010469 Seal, Cap	2
▲	4	9010470 Stud	3
▲	5	9010431 Bushing	2
▲	6	9010468 Gasket, Cylinder, Head	1
▲		9010465 Gasket, Cover, Rocker	1
▲		9014160 Plug, Spark [Mitsubishi 2015 12mm]	4
	7	9010471 Seal, Cam Shaft, Front	1
	8	9010441 Bolt, Flange	2
	9	9010480 Thurst, Case	1
	10	9010481 Screw	2
	11	9010482 O- Ring	1
	12	9010484 Cylinder Assy, Head, Bolt	10
	13	9010483 Gasket	1
	14	9010485 Cover	1

[1] Serial Number (006501- 007105)

[2] Serial Number (007106- )

**Fig. 4 - Front Cover and Oil Pan Group**

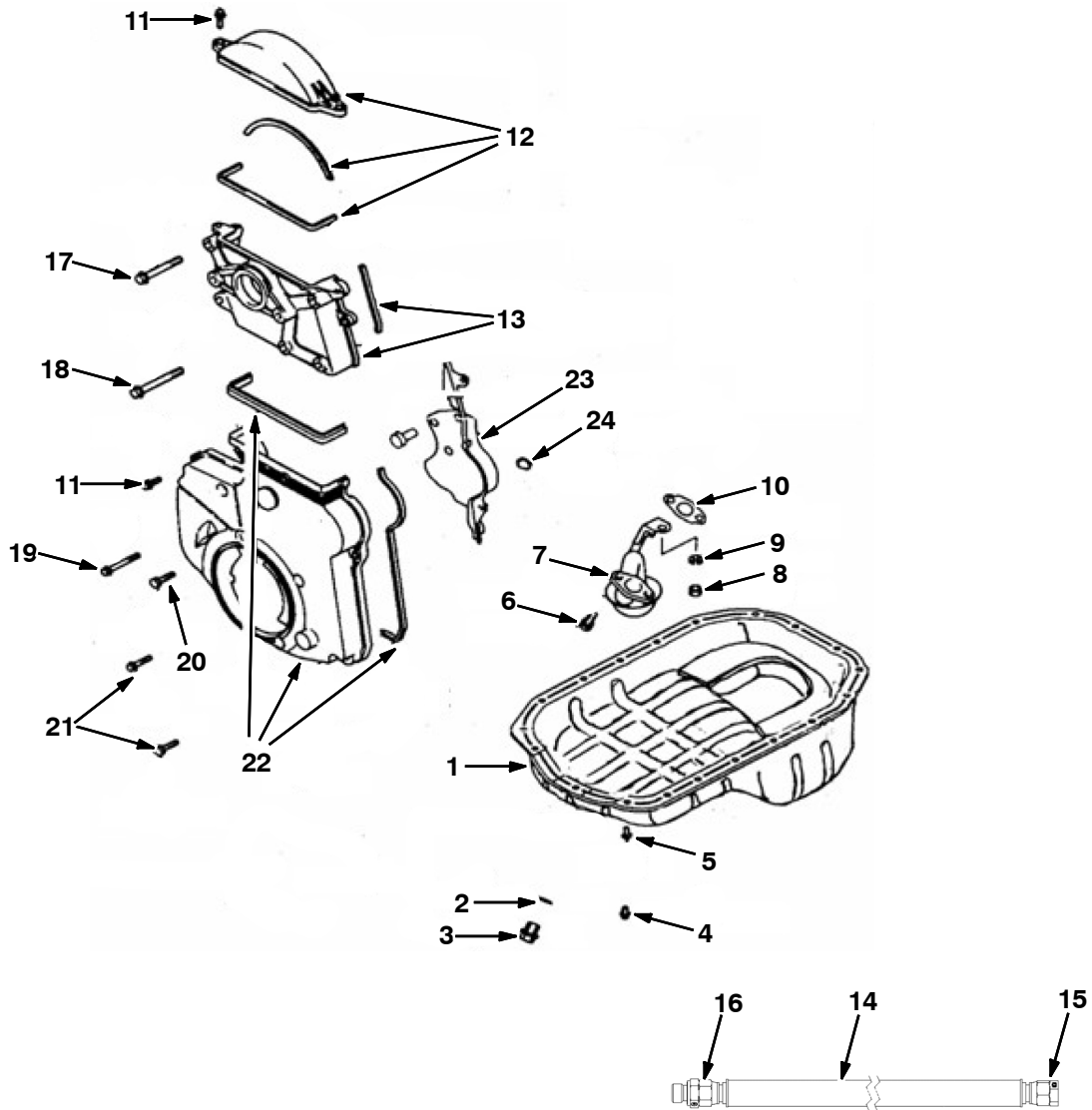
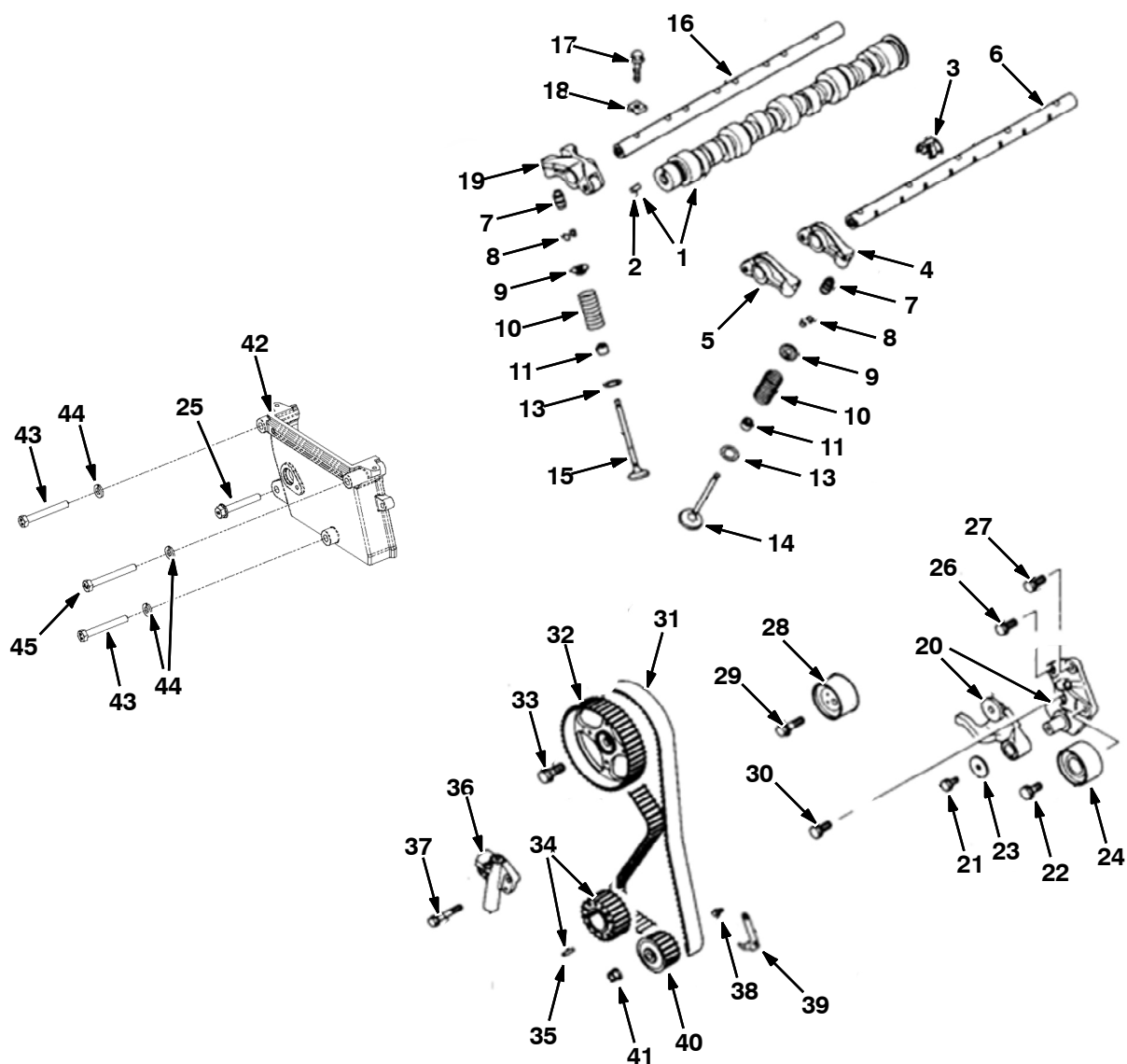


Fig. 4 - Front Cover and Oil Pan Group

Ref.	Part No.	Description	Qty.
▽ 1	9010487	Pan, Oil	1
▲ 2	9010488	Gasket, Plug, Drain, Oil	1
▲ 3	9010489	Plug, Oil, Drain	1
4	9010490	Bolt, Flange	17
5	9010491	Bolt, Flange	2
6	9010492	Washer, Bolt	2
7	9010493	Screen, Oil	1
8	9010494	Nut, Strainer	1
9	9010495	Washer, Strainer	1
10	9010496	Gasket, Screen	1
11	9010497	Bolt, Flange	8
12	9010498	Cover Assy, Front, Upper [T- Belt]	1
13	9010502	Bracket Assy, Coil, Ignition	1
14	9010311	Hose, Drain, Oil [Mit 20/24m]	1
15	9010312	Plug, Flare, 37deg [Mit]	1
16	9010313	Fitting, 37deg [Mit]	1
17	9010503	Bolt, Flange	3
18	9010504	Bolt, Flange	1
19	9010505	Bolt, Flange	1
20	9010506	Bolt	2
21	9010507	Bolt	2
22	9010508	Cover, Lower, Front [T- Belt]	1
23	9010511	Cover, Rear [T- Belt]	1
24	9010512	Plug, Rubber	1

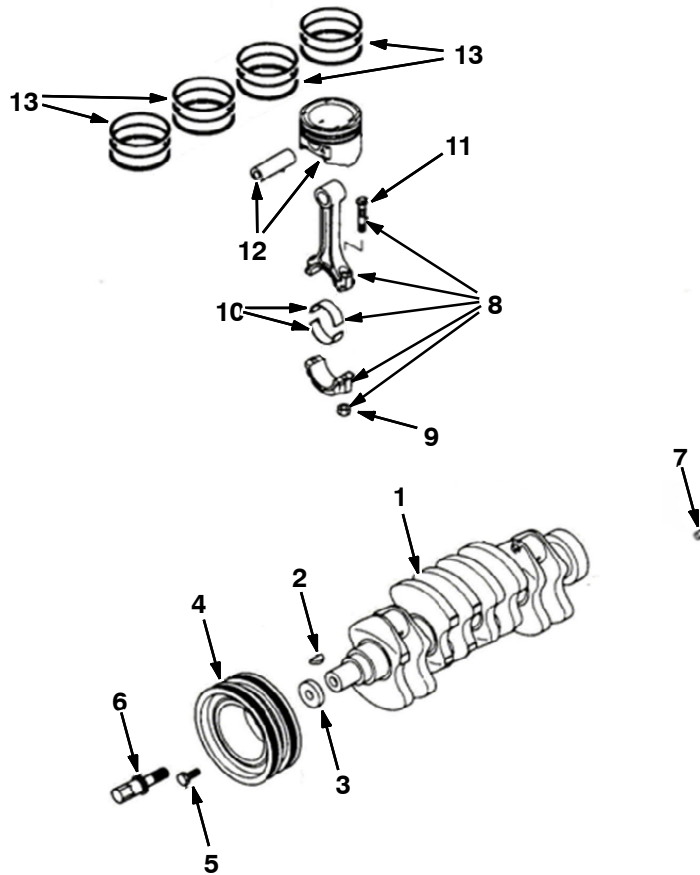
Fig. 5 - Camshaft and Valve Group



**Fig. 5 - Camshaft and Valve Group**

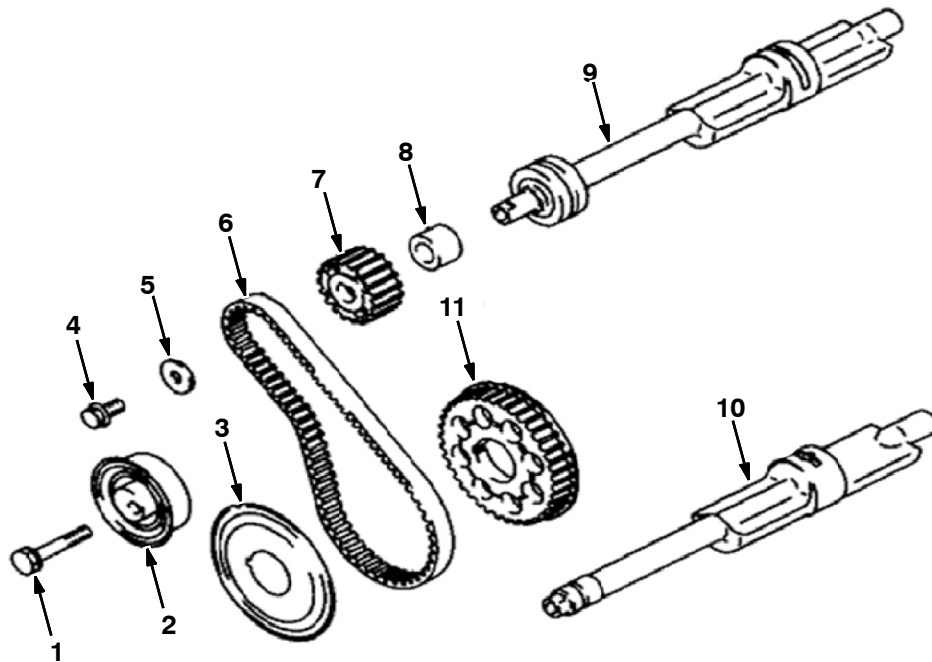
	<b>Ref.</b>	<b>Part No.</b>	<b>Description</b>	<b>Qty.</b>
▽	1	9010530	Camshaft Assy	1
▲	2	9010535	Pin, Dowel	1
	3	9010532	Shaft, Spring, Rocker	4
	4	9010533	Arm Assy, Rocker [B]	4
	5	9010534	Arm Assy, Rocker [A]	4
	6	9010531	Shaft, Arm , Rocker	1
	7	9010536	Adjuster Assy, Lash	16
	8	9010537	Valve, Spring, Lock	32
	9	9010538	Valve, Spring, Retainer	16
	10	9010539	Valve, Spring	16
	11	9010540	Valve, Seal, Stem	16
	12	9010254	Bolt, M8- 1.25 X 55 Fl Hd [Mit]	1
	13	9010541	Valve, Spring, Seat	16
	14	9010542	Valve, Inlet	8
	15	9010543	Valve, Exhaust	8
	16	9010544	Shaft, Arm, Rocker	1
	17	9010545	Bolt, Flange	13
	18	9010546	Shaft, Cap, Rocker	13
	19	9010547	Arm Assy, Rocker [C]	4
▽	20	9010548	Bracket, Pulley, Tensioner	1
▲	21	9010549	Bolt, Washer	1
▲	22	9010550	Bolt, Washer	1
▲	23	9010551	Washer	1
▲	24	9010552	Pulley, Idler	1
	25	9010253	Bolt, M8- 1.25 X 70 Hxhd [Mit]	1
	26	9010554	Bolt, Seal	1
	27	9010555	Bolt, Washer	1
	28	9010556	Pulley, Tensioner	1
	29	9010557	Bolt, Washer	1
	30	9010550	Bolt, Washer	1
	31	9010559	Belt, Timing	1
	32	9010560	Sprocket, Camshaft	1
	33	9010561	Bolt, Flange	1
▽	34	9010562	Sprocket Assy, Cshft	1
▲	35	9010563	Pin, Spring	1
	36	9010564	Tensioner	1
	37	9010565	Bolt, Flange	2
	38	9010491	Bolt, Flange	2
	39	9010567	Bracket, Indicator, Timing	1
	40	9010568	Sprocket, Pump, Oil	1
	41	9010569	Nut	1
	42	9010250	Cover, Timing, Gear [Mit 2.0/2.4]	1
	43	9010251	Bolt, M8- 1.25 X 65 Hxhd [Mit]	2
	44	9010252	Washer, Lock, M8 [Mit]	3

**Fig. 6 - Piston and Crankshaft Group**



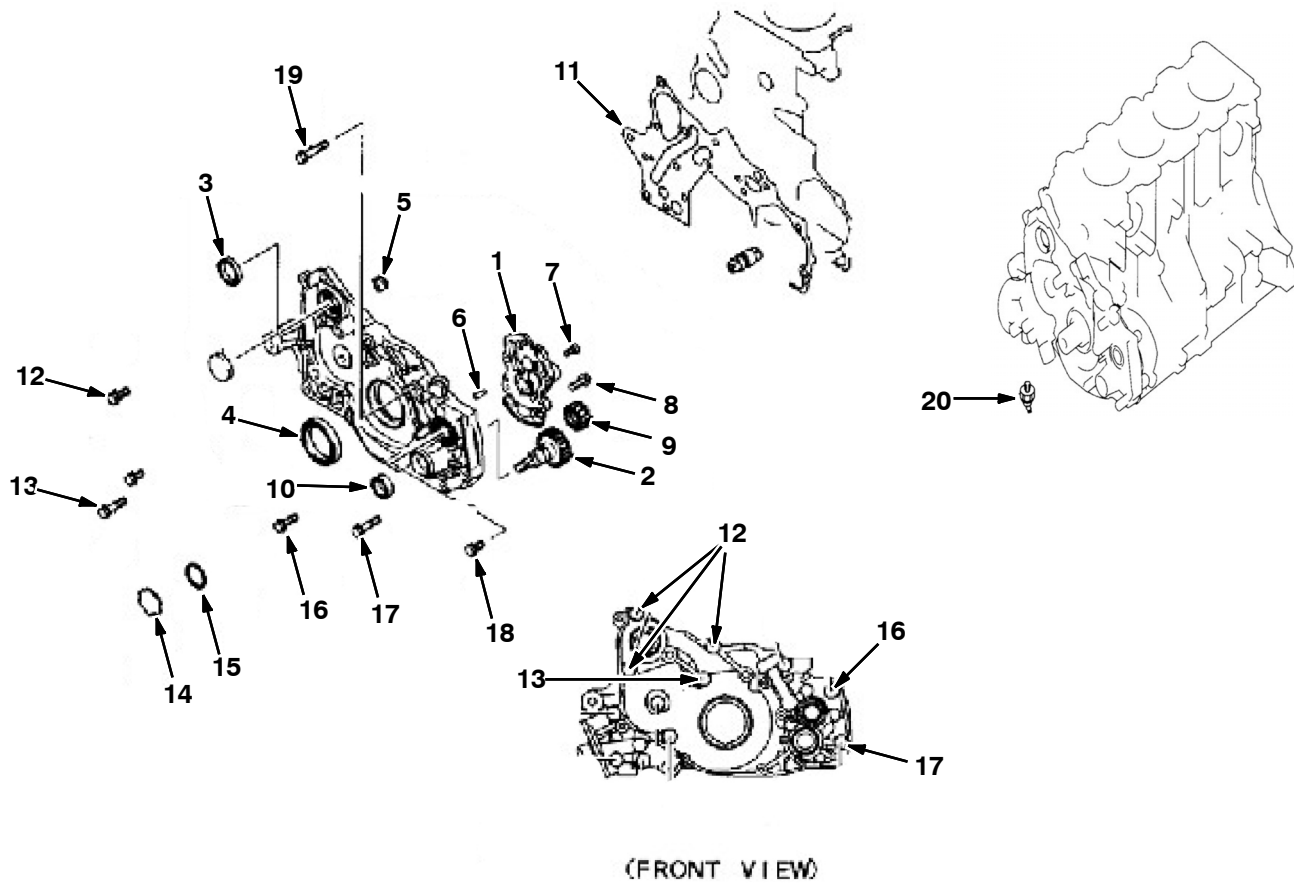
Ref.	Part No.	Description	Qty.	
1	9010513	Crankshaft Assy	1	
2	9010514	Key	1	
3	9010515	Washer, Special	1	
4	9010516	Pulley Assy, Damper, Torsional	1	
5	9010517	Bolt, Washer	4	
6	9010518	Bolt, Sprocket, Cshft	1	
7	9010519	Pin, Dowel	1	
▽	8	9010520	Rod Assy, Connecting	4
▲	9	9010521	Nut	8
▲	10	9010522	Bearing, Rod, Connect [Yellow Std]	4
▲	10	9010523	Bearing, Rod, Connect [No Color Std]	4
▲	10	9010524	Bearing, Rod, Connect [ Lan Std]	4
▲	11	9010525	Bolt, Connecting	8
12	9010526	Piston, Pin [Std A]	4	
12	9010527	Piston, Pin [Std B]	4	
12	9010528	Piston, Pin [Std C]	4	
13	9010529	Piston Set, Ring	1	

Fig. 7 - Balancer Group



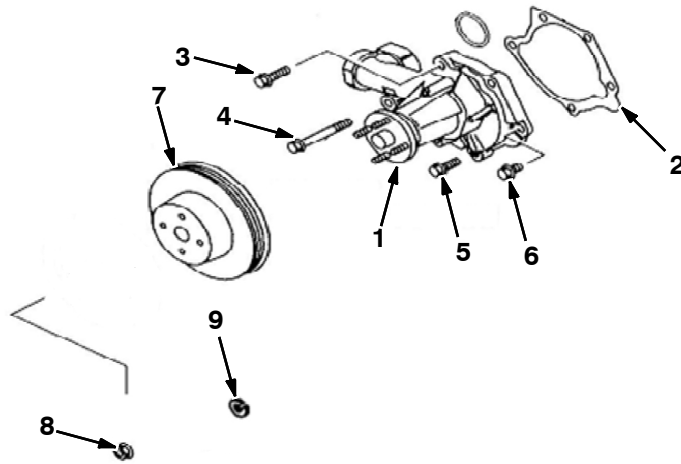
Ref.	Part No.	Description	Qty.
1	9010570	Bolt, Belt, Balancer, Train	1
2	9010571	Tensioner, Timing, Belt	1
3	9010572	Flange, Sprocket, Cshft	1
4	9010600	Bolt, Flange	1
5	9010574	Washer, Belt, Balancer, Train	1
6	9010575	Belt, Timing	1
7	9010576	Sprocket, Shaft, Balancer	1
8	9010577	Spacer, Belt, Balancer, Train	1
9	9010578	Shaft, Right, Balancer	1
10	9010579	Shaft, Left, Balancer	1
11	9010580	Sprocket, Cshft	1

**Fig. 8 - Oil Pump and Pressure Switch Group**



Ref.	Part No.	Description	Qty.	
▽	1	9010582	Pump, Oil	1
▲	2	9010592	Pump, Gear, Drive, Oil	1
▲	3	9010585	Seal, Oil	1
▲	4	9010586	Seal, Oil	1
▲	5	9010587	Plug, Tapper	1
▲	6	9010426	Pin, Dowel	2
▲	7	9010589	Screw	1
▲	8	9010590	Bolt, Flange	4
▲	9	9010591	Pump, Gear, Oil	1
▲	10	9010601	Seal, Oil	1
	11	9010593	Gasket, Case, Front	1
	12	9010594	Bolt, Washer	3
	13	9010595	Bolt, Washer	1
	14	9010596	Plug, Cap	1
	15	9010597	O- Ring	1
	16	9010598	Bolt, Flange	1
	17	9010599	Bolt, Flange	1
	18	9010600	Bolt, Flange	1
	19	9010583	Bolt, Flange	1
	20	9010259	Sender, Oil, Press [Mit]	1

Fig. 9 - Water Pump Group



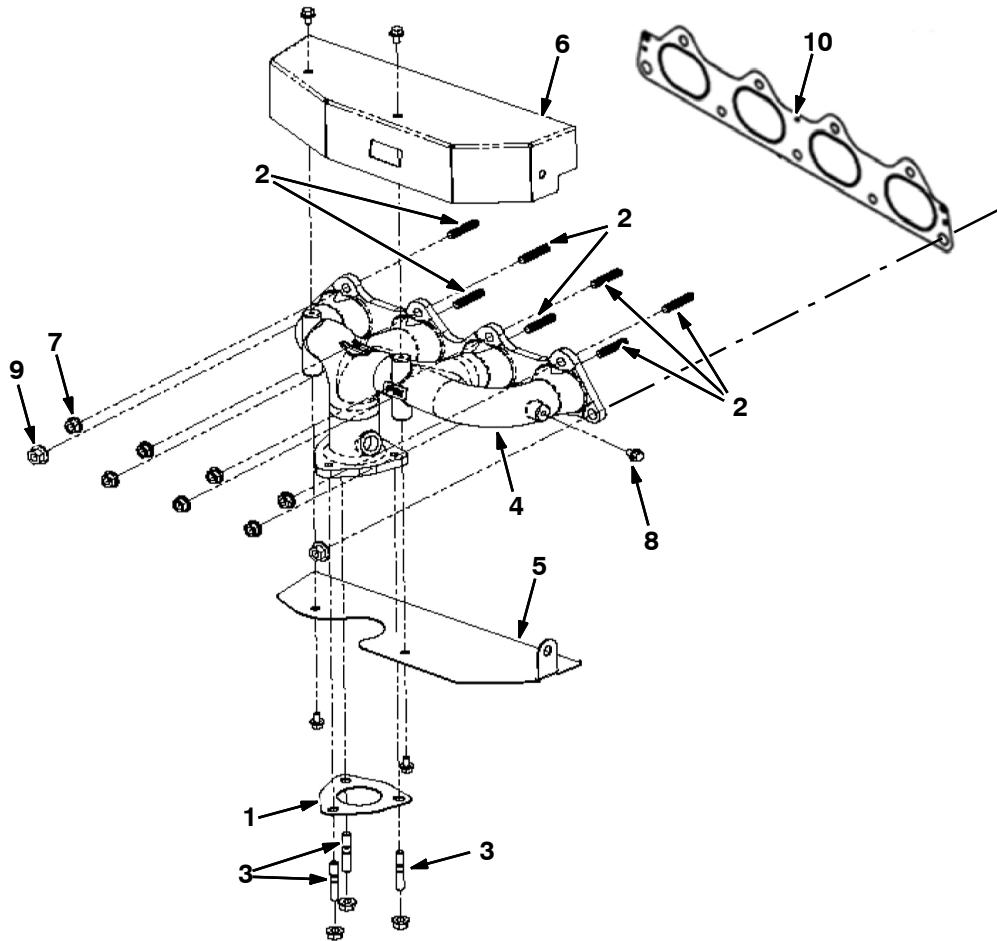
Ref.	Part No.	Description	Qty.
1	9010602	Pump, Water	1
2	9010603	Gasket, Pump, Water	1
3	9010604	Bolt, Flange	1
4	9010503	Bolt, Flange	1
5	9010606	Bolt, Flange	2
6	9010607	Bolt, Flange	1
7	9010612	Pulley, Pump, Water	1
8	9010609	Nut, Flange	4
9	9010610	Washer, Spring	4



Fig. 10 - Intake Manifold Gasket Group

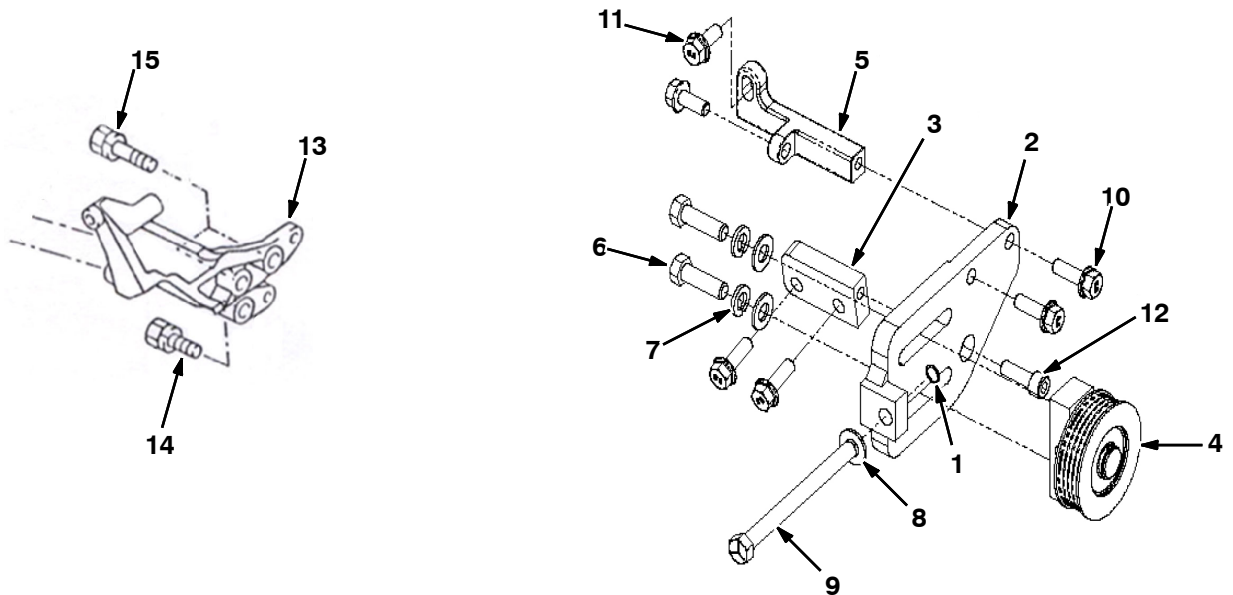
Ref.	Part No.	Description	Qty.
1	9010382	Fitting, 1/8 Mpt X 3/8 Hb [Mit]	1
2	9010281	Loom, Convolved, Split 5/8 [Mit]	17"
3	385001	Hose, Fuel, .38d, Rbr[16"L]	20"
4	9010383	Elbow, 1/8m X 1/8f, 90 [Mit]	1
5	9010282	Clamp, 3/8id [Mit Olive Green]	2
6	9010283	Plug, 1/8 Npt, Brs, Skt Hd [Mit]	1
7	9010284	Plug, Injector [Mit]	4
8	9010285	Manifold, Intake [Mit 20/24m Tilt]	1
9	9010286	Nut, M8- 1.25 [Mit]	2
10	385015	Nut, Flng, M8	7
11	9010287	Stud, M8- 1.25 X 50 Full Thrd [Mit]	2
12	9010288	Stud, M8- 1.25 X 35 [Mit Double End]	2
13	9010384	Stud, M8- 1.25 X 30 [Mit Double End]	4
14	9010613	Gasket, Manifold, Intake	1
15	9010606	Bolt, Flange	2
16	9010615	Bolt, Manifold, Inlet	1
17	9010617	Hanger, Engine	1
18	9010618	Hanger, Engine	1

**Fig. 11 - Exhaust Manifold Gasket Group**



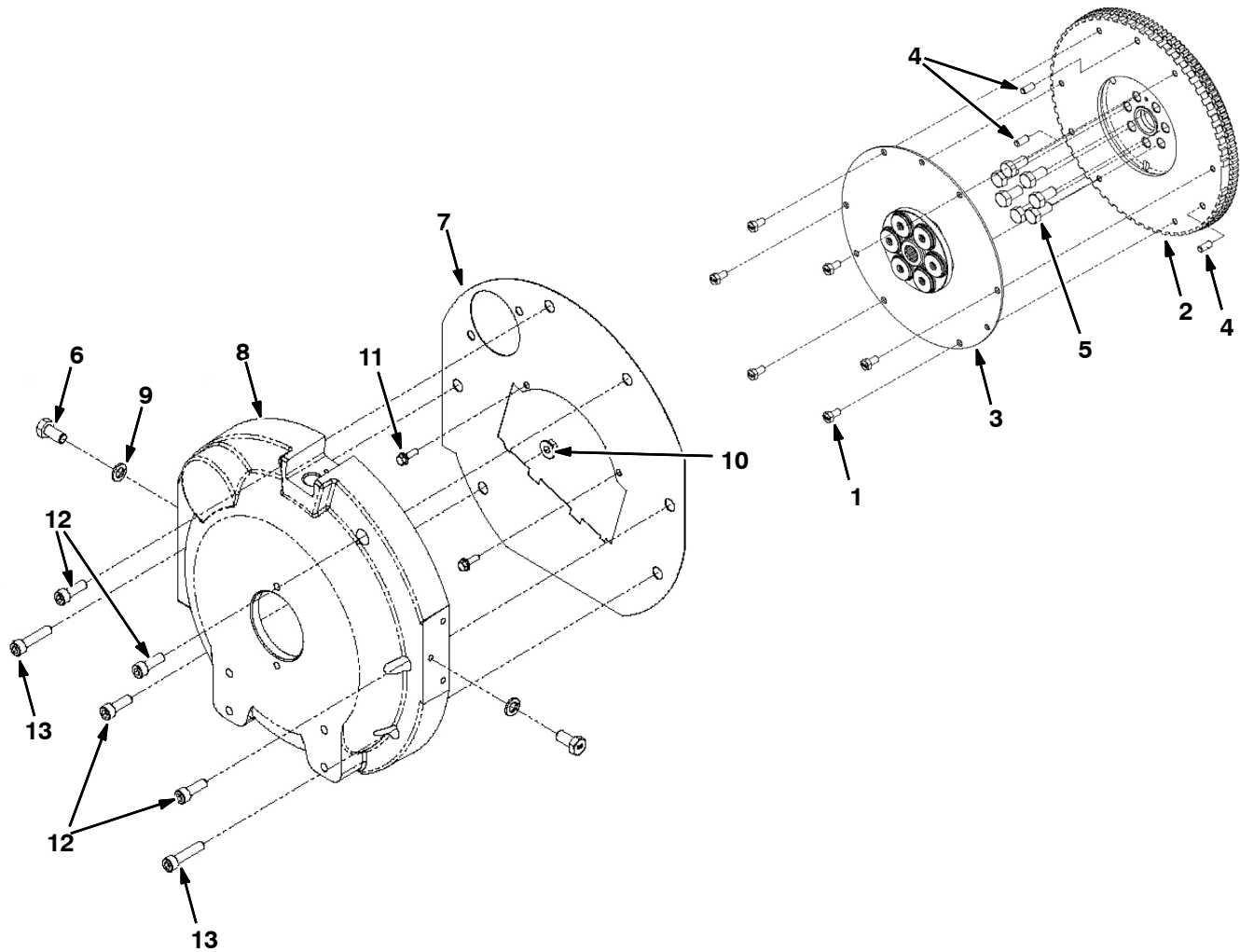
Ref.	Part No.	Description	Qty.
1	9010296	Gasket, Manifold, Exh [Mit]	1
2	9010297	Stud, M8- 1.25 X 40 [Mit]	7
3	372020	Stud, Manifold, Intake, M8 X 28	3
4	9010298	Manifold, Exhaust [Mit 2.0/2.4]	1
5	9010302	Shield, Heat, Lower [Mit 20/24m]	1
6	9010303	Shield, Heat, Upper [Mit 20/24m]	1
7	9015915	Nut [2.4l Mit]	10
8	9010262	Bolt, M6- 1.0 X 10 Fl Hd [Mit]	5
9	9015916	Nut [2.4l Mit]	2
10	9010619	Gasket, Manifold, Exhaust	1

Fig. 12 - Fan Tensioner and Pump Mount Group



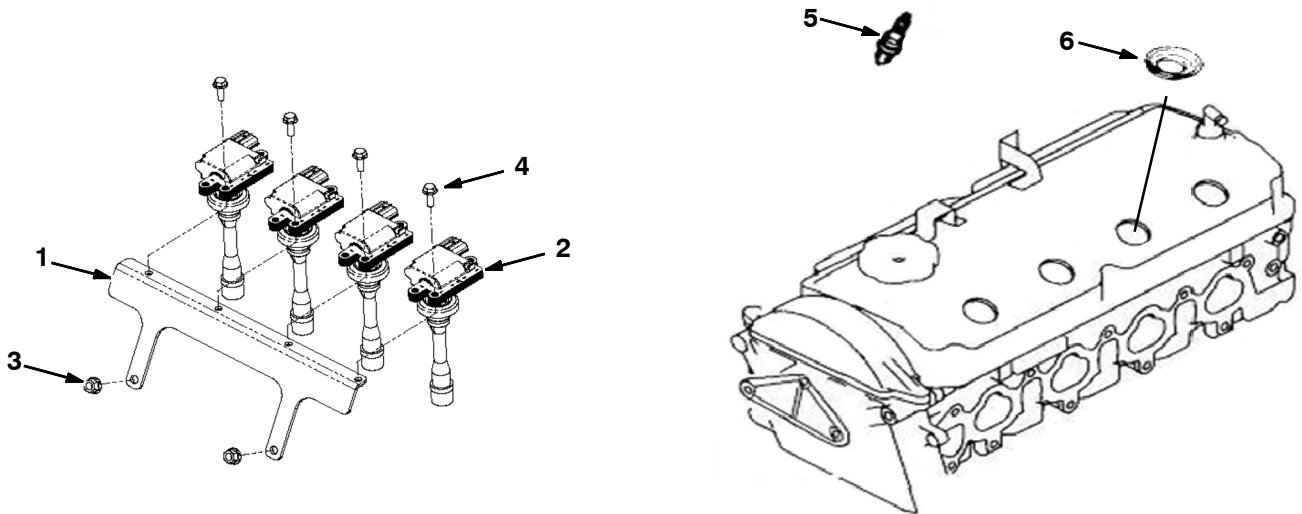
Ref.	Part No.	Description	Qty.
1	371562	Ring, Retaining	1
2	9010222	Plate, Tensioner, Adj [Mit 2.0/2.4]	1
3	9010223	Bar, Tensioner, Mtg [Mit 2.0/2.4]	1
4	9010224	Pulley, Tensioner, Assy[Mit2.0/2.4]	1
5	9010225	Bracket, Tensioner, [Mit 2.0/2.4]	1
6	9010226	Bolt, 3/8- 16 X 1 1/4 Hxhd [Mit]	2
7	371509	Washer, Lock, 0.38	2
8	9010227	Washer, Flat 3/8, Sae	3
9	9010228	Bolt, 3/8- 16 X 4.5 [Mit]	1
10	9010229	Bolt, M8- 1.25 X 25 [Mit]	4
11	9010230	Bolt, M8- 1.25 X 20 Fl Hd [Mit]	2
12	9010231	Bolt, M8- 1.25 X 25 Soc Hd [Mit]	1
13	9010623	Bracket, Pump, Mtg	1
14	9010624	Bolt, Washer	1
15	9010625	Bolt, Washer	2

**Fig. 13 - Flywheel Group**



Ref.	Part No.	Description	Qty.
1	9010232	Bolt, M8- 1.25 X 15, Hx Hd [Mit]	6
2	9010233	Flywheel, Flatface [Mit 20/24m]	1
3	9010234	Coupling, Flywheel [Mit20/24m]	1
4	9010235	Pin, Flywheel [Mit 20/20m]	3
5	9010236	Bolt, Flywheel [Mit 20/24m]	7
6	9010359	Bolt, M12- 1.75 X 25, Hex Hd [Mit]	2
7	9010237	Cover, Dust [Mit 2.0l]	1
8	9010238	Housing, Flywheel [Mit 2.0l]	1
9	9010360	Washer, Lock, M12 [Mit]	2
10	9010239	Nut, M10- 1.25 Flg [Mit]	1
11	9010240	Bolt, M6- 1.0 X 20 FI Hd [Mit]	2
12	9010241	Bolt, M10- 1.25 X 30 Soc Hd [Mit]	4
13	9010242	Bolt, M10- 1.25 X 45 Soc Hd [Mit]	2

Fig. 14 - Ignition Coil and Spark Plug Group

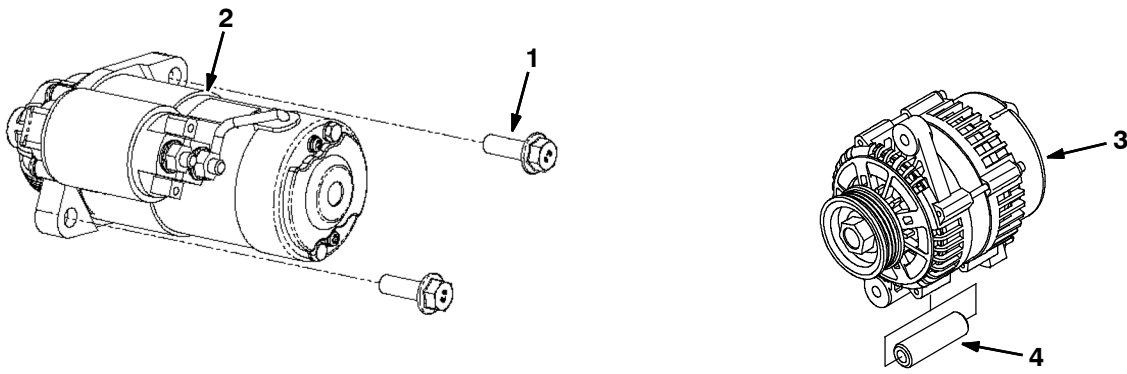


Ref.	Part No.	Description	Qty.
1	9010243	Bracket, Coil [Mit 2.0/2.4]	1
2	9010244	Coil, Ignition [Mit 2.0/2.4]	4
3	385015	Nut, Flng, M8	2
4	9010240	Bolt, M6- 1.0 X 20 Fl Hd [Mit]	4
5	9010622	① Plug, Spark [Torch K6rf- 11 14mm]	4
5	9014160	② Plug, Spark [Mitsubishi 2015 12mm]	4
6	9010479	Seal, Oil	4

① Serial Number (006501- 007105)

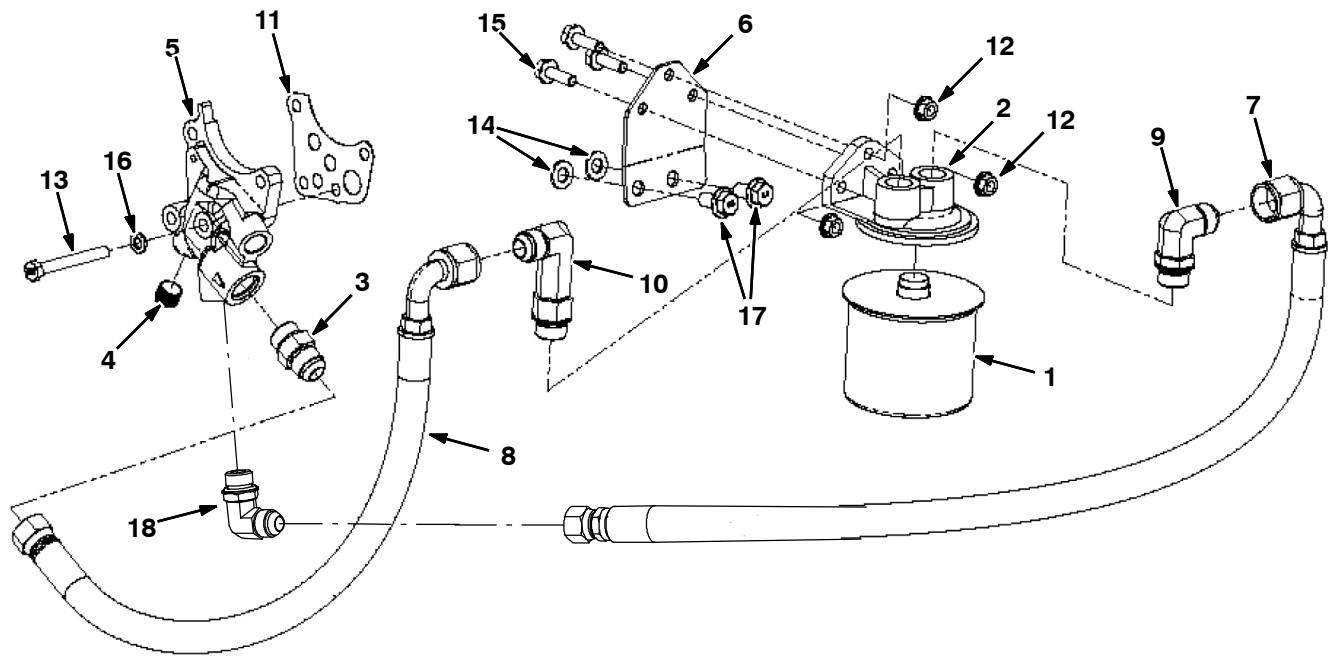
② Serial Number (007106- )

**Fig. 15 - Starter / Alternator Group**



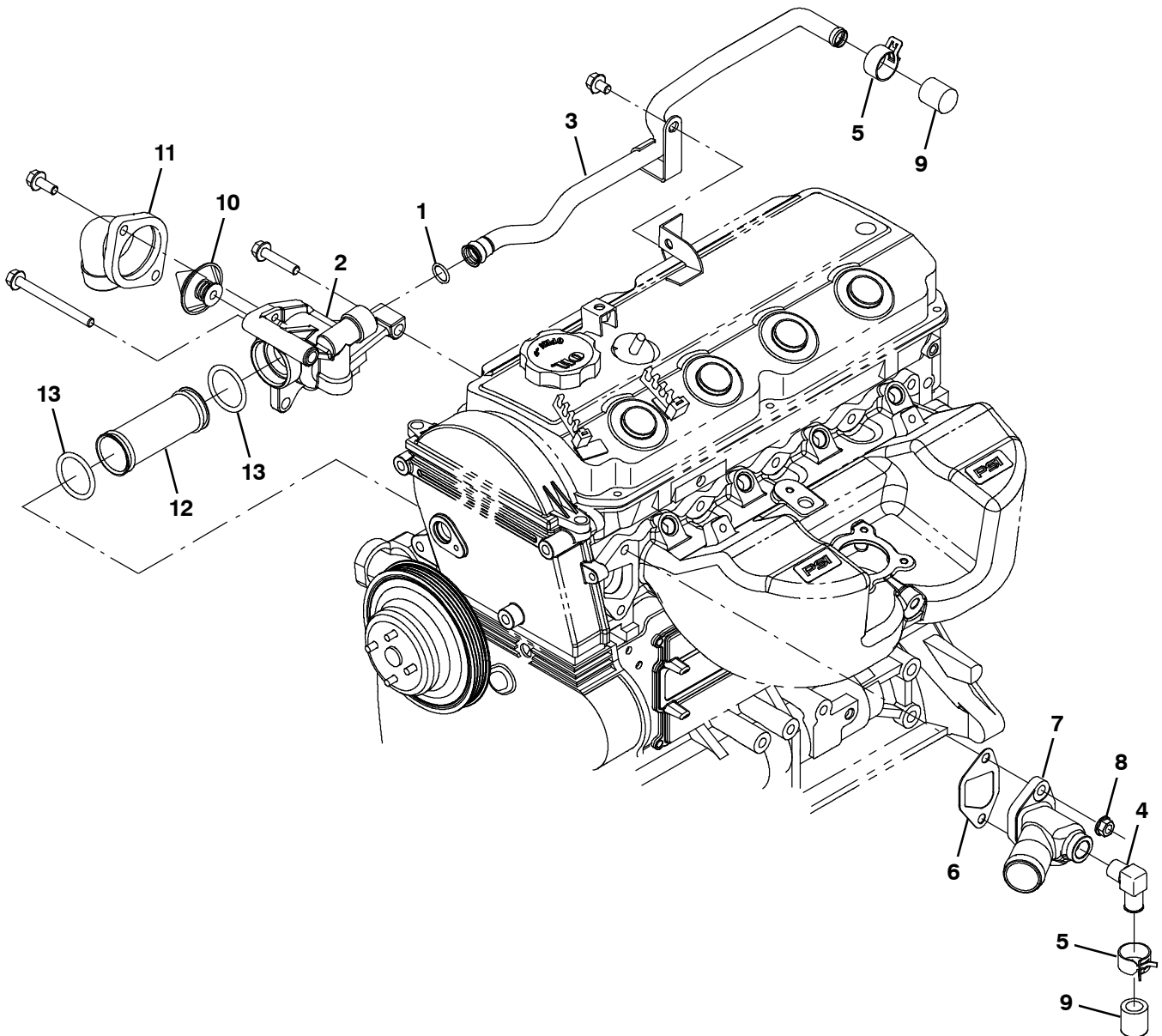
Ref.	Part No.	Description	Qty.
1	9010245	Bolt, M10- 1.50 X 30 [Mit]	2
2	9010246	Starter, Motor [Mit 2.0/2.4]	1
3	9010217	Alternator, 7si [Mit Df Sur- Belt]	1
4	9010219	Spacer, Alternator [Mit 2.0/2.4]	1

Fig. 16 - Remote Oil Filter Group



Ref.	Part No.	Description	Qty.
1	393982	Element, Fltr, Oil, Spin-On (Mits)	1
2	371503	Mount, Fltr, Remote	1
3	9010371	Fitting, Str, 10- 10 Orb, 37fi [Mit]	1
4	9010372	Plug, 3/8npt X 5/16, Brs [Mit]	1
5	9010373	Adapter, Filter, Oil, Remote [Mit]	1
6	9010374	Bracket, Filter, Oil, Remote [Mit]	1
7	9010376	Hose, 90xstr,Fltr, Oil, Remote[Mit]	1
8	9010376	Hose, 90xstr,Fltr, Oil, Remote[Mit]	1
9	9010628	Elbow	1
10	9010629	Elbow	1
11	9010377	Gasket, Oil, Adapter [Mit 2.0/2.4]	1
12	385015	Nut, Flng, M8	3
13	9010253	Bolt, M8- 1.25 X 70 Hxhd [Mit]	1
14	9010630	Washer	2
15	9010229	Bolt, M8- 1.25 X 25 [Mit]	3
16	9010380	Washer, Lock, M8 [Mit]	1
17	9010631	Bolt	2
18	9010628	Elbow	1

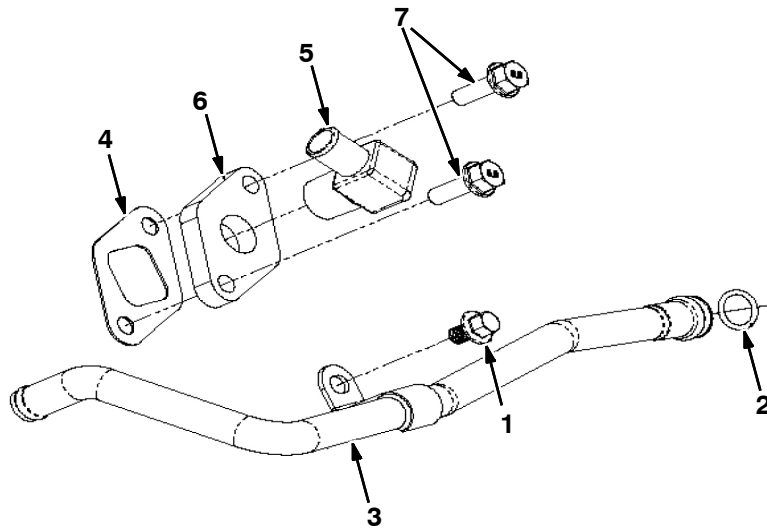
**Fig. 17 - Coolant Group**



356302

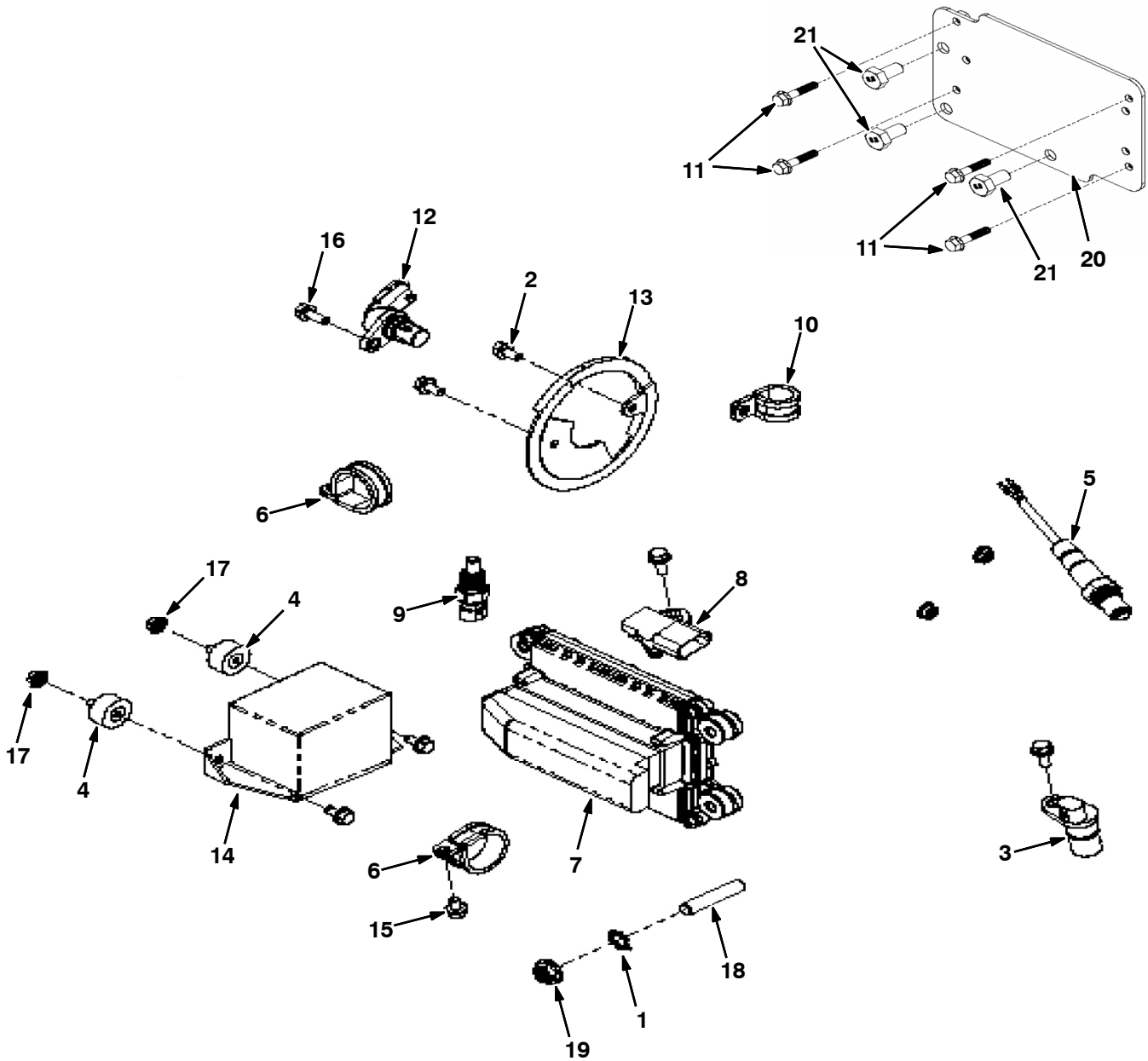
Ref.	Part No.	Description	Qty.
1	9010289	O- Ring [Mit 208 Buna- N]	1
2	9010290	Housing, T- Stat, 2 Holes [Mit]	1
3	9010291	Tube, Water, Line [Mit]	1
4	385011	Fitting, E90	1
5	384979	Clamp, Hose, Spring, 0.62d	2
6	9010632	Gasket, Outlet	1
7	9010294	Outlet, Water, W/Plug [Mit 2.0/2.4]	1
8	385015	Nut, Flng, M8	2
9	9010295	Cap, Rubber, 5/8id [Mit 2.0/2.4]	2
10	9010633	Thermostat	1
11	9010215	Housing, Thermostat	1
12	9010910	Tube, Pump, Water	1
13	9013530	Seal, Tube, Water [Mit 2.0]	2

Fig. 18 - DSR Coolant Group, LPG Engine



Ref.	Part No.	Description	Qty.
1	9010305	Bolt, M8- 1.25 X 12 [Mit]	1
2	9010289	O- Ring [Mit 208 Buna- N]	1
3	9010306	Tube, Cooling, Line [Mit]	1
4	9010307	Gasket, Water Supply [Mit 2.0/2.4]	1
5	9010308	Fitting, 1/2 Mpt X 5/8bh 90deg [Mit]	1
6	9010309	Plate, Water, Outlet [Mit Bypass]	1
7	9010310	Bolt, M8- 1.25 X 25 Flg Hd [Mit]	2

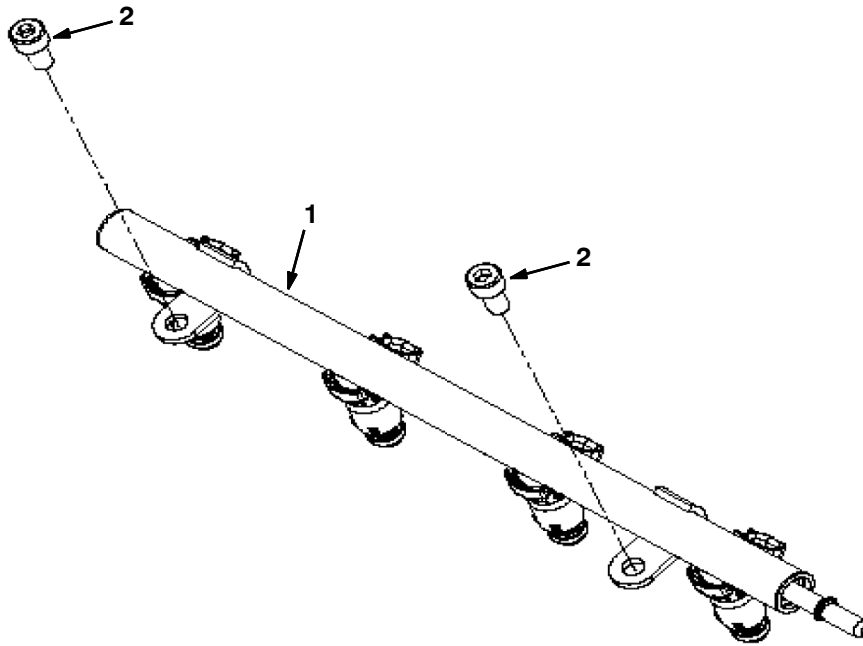
Fig. 19 - Electrical Group



**Fig. 19 - Electrical Group**

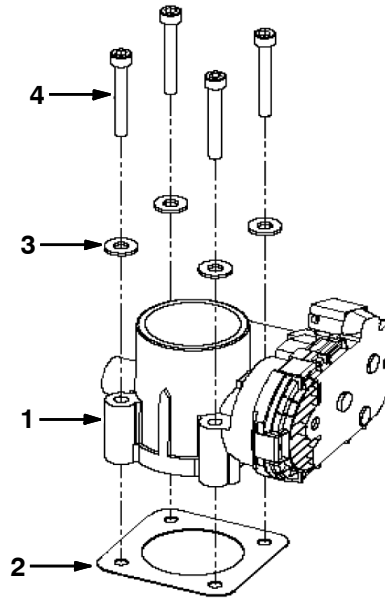
<b>Ref.</b>	<b>Part No.</b>	<b>Description</b>	<b>Qty.</b>
1	9010255	Washer, Star, M10 [Mit]	1
2	9010256	Bolt, M6- 1.0 X 12 FI Hd PI [Mit]	2
3	372492	Sensor, Spd, Timing Wheel [3.0l]	1
4	9008805	Isolator	2
5	1028558	Sensor, Exhaust, Tailpipe	1
6	9010257	Clamp, 1/4 Hole [Mit #20]	2
7	1071397	Module, Ecu, Gas [Mit 2.0l 2013]	1
7	1071398	Module, Ecu, Lpg [Mit 2.0l 2013]	1
8	372493	Sensor [Tmap]	1
9	372891	Sensor, Temp, Coolant	1
10	9010258	Clamp, 0.75d [Mit]	1
11	9010249	Bolt, M6- 1.0 X 30 FI Hd [Mit]	4
12	9010260	Sensor, Camshaft [Mit]	1
13	9010261	Cam, Sensor, Wheel [Mit 2.0/2.4l]	1
14	1071653	Harness, Wire, Eng, Gas [Mit, 2.0l]	1
14	1071654	Harness, Wire, Eng, Lpg [Mit, 2.0l]	1
15	9010262	Bolt, M6- 1.0 X 10 FI Hd [Mit]	3
16	9010263	Bolt, M6- 1.0 X 16 FI Hd [Mit]	3
17	9010264	Nut, M6- 1.0 Flange [Mit]	4
18	9010366	Stud, M10- 1.25 X 50, Full Thrd [Mit]	1
19	9010367	Nut, M10- 1.25, Hx Flg [Mit]	1
20	9010247	Plate, Mtg, Ecu [Mit 2.0/2.4l]	1
21	9010248	Bolt, M10- 1.25 X 20 Hxhd [Mit]	3

**Fig. 20 - Fuel Rail Group, Gasoline Engine**



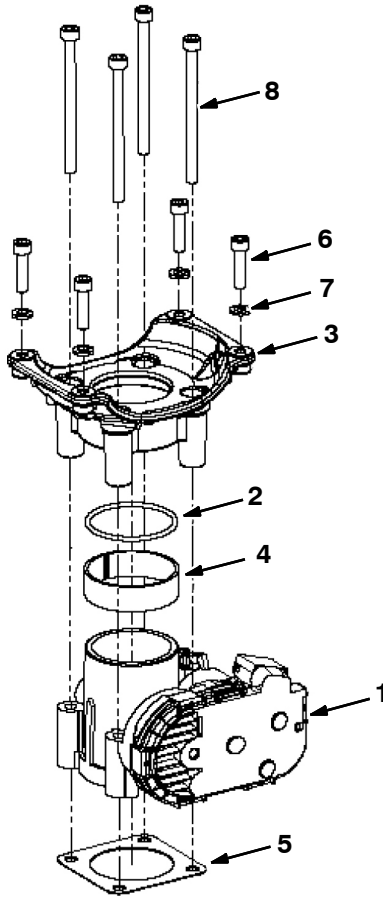
Ref.	Part No.	Description	Qty.
1	9015878	Manifold, Fuel [2.4L Mit]	1
2	9010327	Bolt, M8- 1.25 X 16, Soc Hd [Mit]	2

Fig. 21 - Throttle Body Group, Gasoline Engine



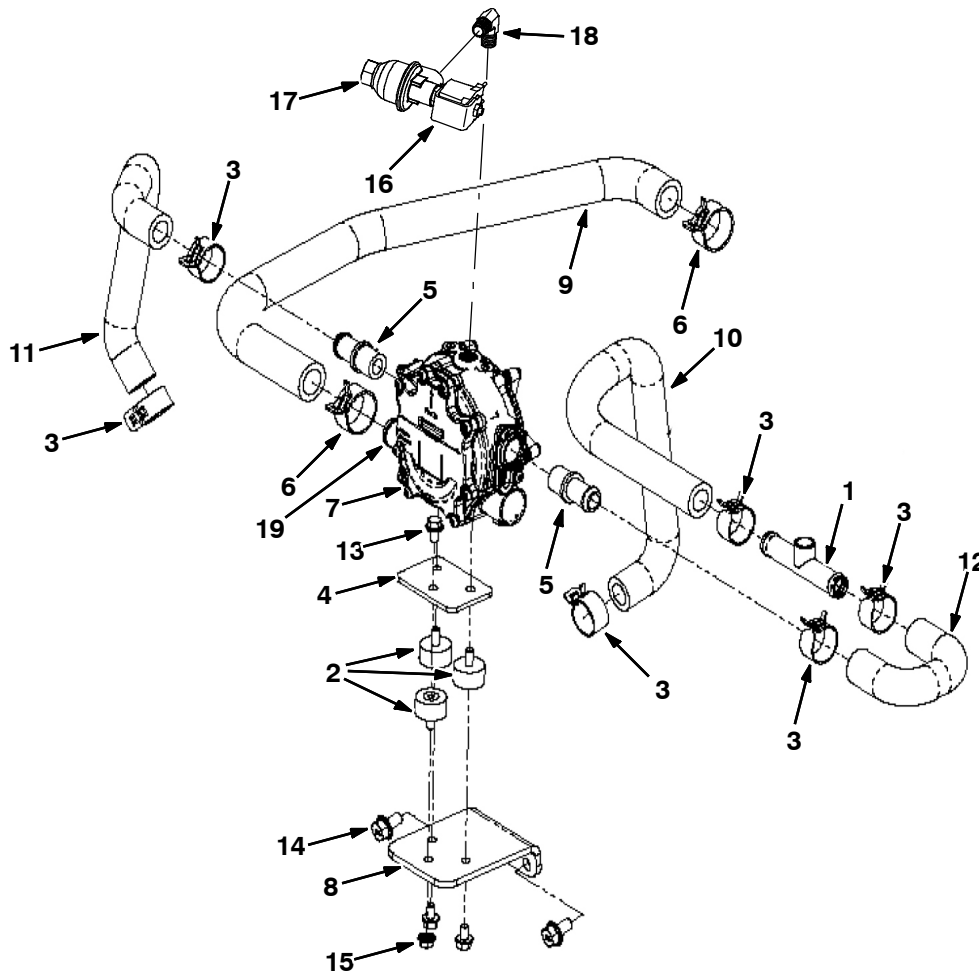
Ref.	Part No.	Description	Qty.
1	9010266	Throttle Body [Mit , Bosch]	1
2	9010268	Gasket, Throttle [Mit 40mm]	1
3	9010330	Washer, 1/4 Flat [Mit]	4
4	9010331	Bolt, M6- 1.0 X 45, Skt Hd [Mit]	4

**Fig. 22 - Throttle Body Group, LPG Engine**



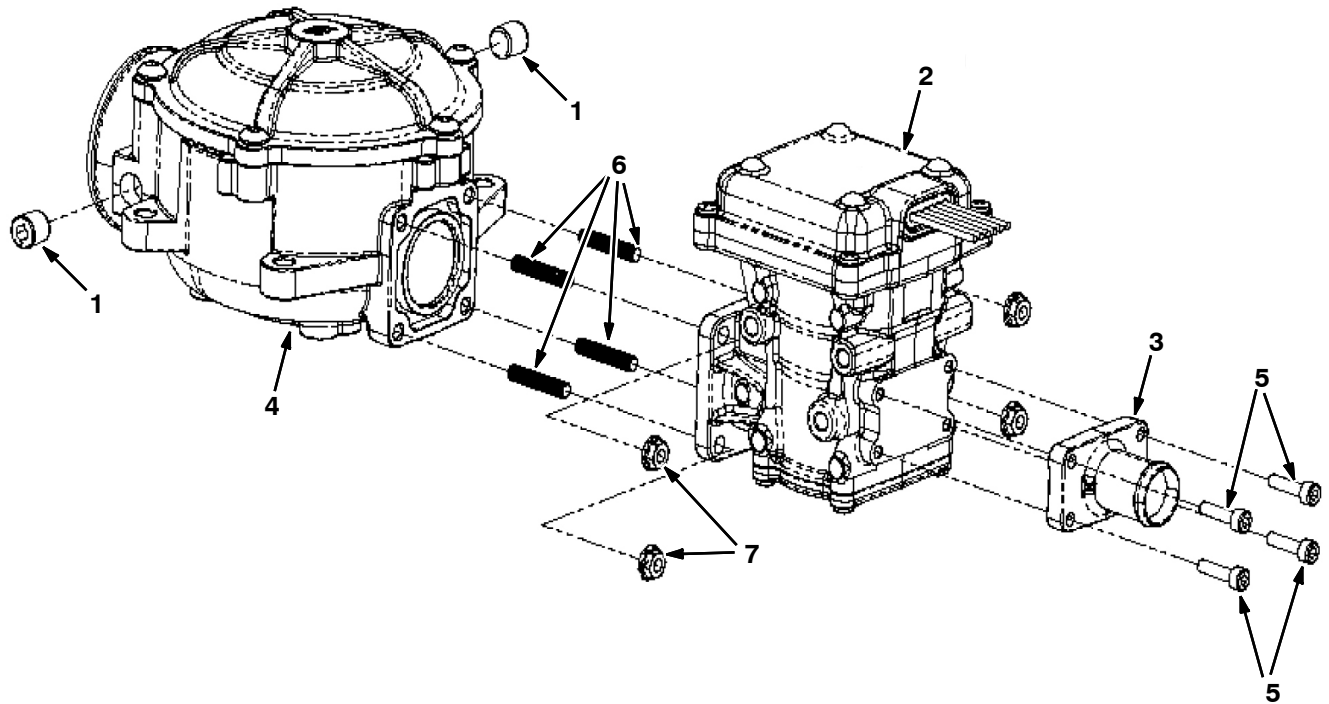
Ref.	Part No.	Description	Qty.
1	9010266	Throttle Body [Mit , Bosch]	1
2	1037311	Seal, Org, Lpg	1
3	9006619	Adapter	1
4	9010267	Spacer, Ring, Throttle [Mit 40mm]	1
5	9010268	Gasket, Throttle [Mit 40mm]	1
6	9010269	Bolt, M6- 1.0 X 25 Soc Hd [Mit]	4
7	9010270	Washer, Lock, M6 [Mit]	4
8	9010271	Bolt, M6- 1.0 X 85 Soc Hd [Mit]	4

**Fig. 23 - Vaporizer Group, LPG Engine**



Ref.	Part No.	Description	Qty.	
	1	9010272	Hose Assy, Upper, Tap [Mit]	1
	2	9008805	Isolator	3
	3	384979	Clamp, Hose, Spring, 0.62d	6
	4	9008804	Plate, Mtg [Epr]	1
	5	9010273	Fitting, 1/2 X 5/8 Hose, Plastic [Mit]	2
	6	9010274	Clamp, Tension [Mit #29]	2
▽	7	9008193	Regulator	1
▲		9010626	Repair Kit, Vaporizer	1
	8	9010275	Bracket, Vaporizer [Mit 20/24m Tilt]	1
	9	9010276	Hose, Fuel, Molded [Mit 20/24m]	1
	10	9010277	Hose, Coolant, Molded [Mit 20/24m]	1
	11	9010278	Hose, Coolant, Molded [Mit 20/24m]	1
	12	9010279	Hose, Coolant, Molded [Mit 20/24m]	1
	13	9010262	Bolt, M6- 1.0 X 10 Fl Hd [Mit]	3
	14	9010280	Bolt, M8- 1.25 X 16 Fl Hd [Mit]	2
	15	9010264	Nut, M6- 1.0 Flange [Mit]	1
▽	16	9006620	Lock- Off, 12v, Lpg [Mit]	1
▲	17	9007380	Filter Kit, Fuelock, Lpg	1
	18	9010317	Fitting, 1/4mpt X 1/4mpt, 90deg [Mit]	1
	19	9021786	Fitting, Hose, Plastic	1

**Fig. 24 - Electronic Pressure Regulator (EPR) Group, LPG Engine**



Ref.	Part No.	Description	Qty.
1	9010314	Plug, 1/8npt, Brs [Mit]	2
2	9008806	Regulator, Press, Electronic [Epr]	1
3	9008807	Fitting, Barb, 3/4" [Epr]	1
▽ 4	9006618	Mixer	1
▲	9010634	Repair Kit, Mixer	1
5	9008808	Screw, Soc, M4 X 0.70 X 16	4
6	9007424	Stud, M05- 0.8	4
7	9007423	Nut, Flng, M05- 0.8	4