

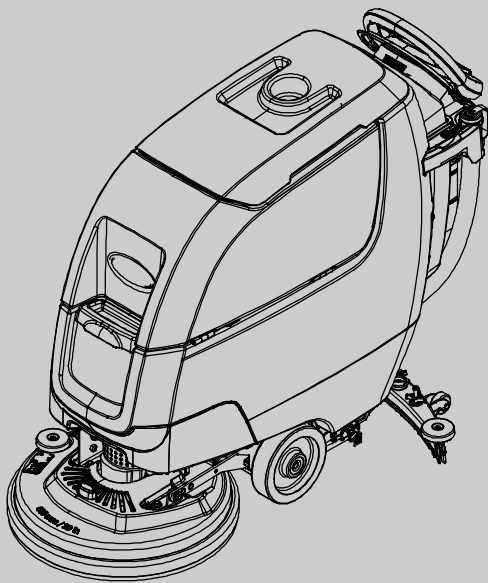
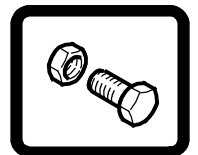


T300 T300e

AUTOMATIC FLOOR SCRUBBER

Machine Serial Number Range
(S/N 30000000- 40000000)

Parts Manual



Hygenic[®] Fully Cleanable Recovery Tank
TennantTrue[®] Parts
IRIS[®] a Tennant Technology



For the latest Parts manuals and other
language Operator manuals, visit:

www.tennantco.com/manuals

China / International / Japan

www.tennantco.com

9014517
Rev. 04 (03-2017)



Ref	Part No.	Serial Number	Description	Qty.
1	82681	(000000-)	Bracket Wldt, Lpg Mount	1
▽ 2	63810	(000000-)	Latch Assy, Lpg Tank Mtg, W/Nut	4
▲ 3	51839	(000000-)	Nut Adjustable, Lpg Tank Mtg	2
4	49263	(000000-)	Tie, Cable	3
(D) 5	82556	(000000- 001039)	Bracket, Vaporizer	1
	54930	(000000-)	Vaporizer, LPG	1

HOW TO ORDER PARTS - See diagram above

Only use TENNANT Company supplied or equivalent parts. Parts and supplies may be ordered online, by phone, by fax or by mail.

Follow the steps below to ensure prompt delivery.

1. (A) Identify the machine model.
2. (B) Identify the machine serial number from the data label.
3. (C) Ensure the proper serial number is used from the parts list.
4. Identify the part number and quantity. Do not order by page or reference numbers.
5. Provide your name, company name, customer ID number, billing and shipping address, phone number and purchase order number.
6. Provide detail shipping instructions.

- (D) ▽ - identifies an assembly
 ▲ - identifies parts included in assembly

Please fill out at time of installation for future reference.

Model No. - _____

Serial No. - _____

Machine Options - _____

Sales Rep. - _____

Sales Rep. phone no. - _____

Customer ID Number - _____

Installation Date - _____

Tennant Company
 PO Box 1452
 Minneapolis, MN 55440 USA
 Phone: (800) 553- 8033
 www.tennantco.com

TENNANT Cleaning Systems & Equipment (Shanghai) Co., Ltd
 Building 1, No. 3777 Caoying Road
 Qingpu Shanghai, China 201712
 Phone: 86 21 6922 5333
 Fax: 86 21 69225151
 www.tennant.co.cn

TENNANT Company Japan
 9F Industry & Trade Center
 2 Yamashita- cho, Naka- ku
 Yokohama, Kanagawa 231- 0023
 Japan
 Phone: 81- 45- 640- 5630
 Fax: 81- 45- 640- 5604
 www.tennant.co.jp

Specifications and parts are subject to change without notice.

Copyright © 2015 - 2017 TENNANT Company, Printed in China.

CN	<p>如何订购部件 - 参见下表</p> <p>仅使用 TENNANT 公司提供的或同等部件。部件和供应可以在线订购，通过电话、传真或邮件订购。请遵循下面的步骤确保及时交付。</p> <ol style="list-style-type: none"> 1. (A) 确定机器型号。 2. (B) 从数据标签确定机器序列号。 3. (C) 确保使用部件列表中的正确序列号。 4. 确定部件号和数量。 不要按页面或参考编号订购。 5. 提供您的姓名、公司名称、客户 ID 号、付帐和送货地址、电话号码和采购单编号。 6. 提供详细的送货说明。 <hr/> <p>(D) ▽ - 确定组件 ▲ - 确定组件中包含的组件</p>	<p>请在安装时填写供未来参考。</p> <p>型号 - _____</p> <p>序列号 - _____</p> <p>机器选项 - _____</p> <p>销售代表 - _____</p> <p>销售代表电话号码 - _____</p> <p>客户 ID 编号 - _____</p> <p>安装日期 - _____</p>
-----------	--	--

JP	<p>パーツの発注方法 ? 上記の図を参照してください</p> <p>TENNANT社製のパーツまたは同等品のみをお使いください。パーツやサプライ品のご注文は、オンライン、電話、FAX、または手紙でお願いいたします。確実にお届けできるように、以下の情報お知らせください。</p> <ol style="list-style-type: none"> 1. (A) 製品のモデル名をお知らせください。 2. (B) 製品のデータラベルに印刷されているシリアル番号をお知らせください。 3. (C) パーツリストを参照して、シリアル番号が正しいかご確認ください。 4. パーツ番号と数量をお知らせください。マニュアル/カタログのページ番号や参照番号でのご注文はご遠慮ください。 5. お客様のお名前、会社名、顧客ID番号、請求/発送先住所、電話番号、注文書番号をお知らせください。 6. 発送に関するご希望があれば、明記してください。 <hr/> <p>(D) ▽ - アセンブリを示します ▲ - アセンブリに含まれるパーツを示します</p>	<p>後日確認できるように、設置時に記入してください。</p> <p>モデルNo. - _____</p> <p>シリアルNo. - _____</p> <p>製品のオプション - _____</p> <p>販売代理店 - _____</p> <p>販売代理店の電話番号 - _____</p> <p>顧客ID番号 - _____</p> <p>設置日 - _____</p>
-----------	---	---

STANDARD PARTS

GENERAL RECOMMENDED MAINTENANCE ITEMS	7
BRUSHES AND PAD DRIVER GROUP, 43CM DISK 3- LUG HUB	10
BRUSHES AND PAD DRIVER GROUP, 43CM DISK MAGNETIC HUB	12
BRUSHES AND PAD DRIVER GROUP, 50CM DISK 3- LUG HUB	14
BRUSHES AND PAD DRIVER GROUP, 50CM DISK MAGNETIC HUB	16
BRUSHES AND PAD DRIVER GROUP, 60CM DUAL DISK 3- LUG HUB	18
BRUSHES AND PAD DRIVER GROUP, 60CM DUAL DISK MAGNETIC HUB	20
BRUSHES GROUP, 50CM CYLINDRICAL	22
PAD GROUP, 50CM ORBITAL	23
SCRUB HEAD GROUP, 43CM DISK, 3- LUG HUB	24
SCRUB HEAD GROUP, 43CM DISK, MAGNETIC HUB	26
SCRUB HEAD GROUP, 50CM DISK, 3- LUG HUB	28
SCRUB HEAD GROUP, 50CM DISK, MAGNETIC HUB	30
SCRUB HEAD GROUP, 60CM DUAL DISK, 3- LUG HUB	32
SCRUB HEAD GROUP, 60CM DUAL DISK, 3- LUG HUB - CONT'D	34
SCRUB HEAD GROUP, 60CM DUAL DISK, MAGNETIC HUB	36
SCRUB HEAD GROUP, 50CM CYLINDRICAL ..	40
SCRUB HEAD GROUP, 50CM ORBITAL	44
RECOVERY TANK GROUP, T300e MODEL	46
RECOVERY TANK GROUP, T300 MODEL	48
RECOVERY TANK FILTER AND HOSE GROUP, SCREW CAP	50
RECOVERY TANK FILTER AND HOSE GROUP, CONTROL VALVE	52
SOLUTION TANK GROUP	54
FRAME GROUP, PROPEL MODEL	56
FRAME GROUP, PUSH MODEL	58
ACTUATED DOWN PRESSURE GROUP	60
MANUAL DOWN PRESSURE GROUP	62
SINGLE DOWN PRESSURE GROUP	64

SOLUTION GROUP, T300e MODEL	66
SOLUTION GROUP, T300 MODEL	68
SOLUTION GROUP, T300e MODEL ec- H2O ...	70
SOLUTION GROUP, T300 MODEL ec- H2O	72
SOLUTION GROUP, T300 MODEL ec- H2O & SEVERE ENVIRONMENT	74
ELECTRICAL COMPONENTS GROUP, T300e MODEL	78
ELECTRICAL COMPONENTS GROUP, T300 MODEL	80
TELEMETRY GROUP, T300 MODEL	82
LOWER CONSOLE GROUP, ON- BOARD CHARGER	84
LOWER CONSOLE GROUP, OFF- BOARD CHARGER	86
HANDLE GROUP, T300e MEMBRANE, PROPEL	88
HANDLE GROUP, T300e MEMBRANE, PUSH ..	90
HANDLE GROUP, T300 PRO-MEMBRANE, PROPEL, ACTUATED DOWN PRESSURE ...	92
HANDLE GROUP, T300 MEMBRANE, PROPEL, MANUAL DOWN PRESSURE	94
HANDLE GROUP, T300 PRO-MEMBRANE, PUSH, ACTUATED DOWN PRESSURE	96
HANDLE GROUP, T300 MEMBRANE, PUSH, MANUAL DOWN PRESSURE	98
HANDLE GROUP, T300 PRO-PANEL (LCD), PROPEL	100
HANDLE GROUP, T300 PRO-PANEL (LCD), PUSH	102
SHROUD GROUP, DISK AND ORBITAL HEAD .	104
SHROUD GROUP, CYLINDRICAL HEAD	106
SCRUB HEAD LIFT GROUP, 43CM DISK MODEL	108
SCRUB HEAD LIFT GROUP, 50CM DISK MODEL	110
SCRUB HEAD LIFT GROUP, 60CM DUAL DISK MODEL	112
SCRUB HEAD LIFT GROUP, 50CM CYLINDRICAL MODEL	114
SCRUB HEAD LIFT GROUP, 50CM ORBITAL MODEL	116
SQUEEGEE GROUP	118

TABLE OF CONTENTS

STANDARD PARTS - Cont'd

BATTERY CABLE GROUP, T300e Model	120
BATTERY CABLE GROUP, T300 Model	122
BATTERY GROUP, 105AH C20 WET	124
BATTERY GROUP, 130AH C20 WET	125
BATTERY GROUP, 155AH C20 WET	126
BATTERY GROUP, 140AH C20 AGM	127
LABEL GROUP	128
ELECTRICAL DIAGRAM, PROPEL MEMBRANE T300	132
ELECTRICAL DIAGRAM, PUSH MEMBRANE T300	136
ELECTRICAL DIAGRAM, PROPEL PRO- PANEL (LCD) T300	140
ELECTRICAL DIAGRAM, PUSH PRO- PANEL (LCD) T300	144
ELECTRICAL DIAGRAM, PROPEL T300e	148
ELECTRICAL DIAGRAM, PUSH T300e	151
ELECTRICAL HARNESS, MAIN PROPEL T300 (S/N 30066322 -)	154
ELECTRICAL HARNESS, MAIN PROPEL T300 (S/N 30000000 - 30066321)	158
ELECTRICAL HARNESS, MAIN PUSH T300 (S/N 30066322 -)	162
ELECTRICAL HARNESS, MAIN PUSH T300 (S/N 30000000 - 30066321)	166
ELECTRICAL HARNESS, MAIN PROPEL T300e (S/N 30061052 -)	170
ELECTRICAL HARNESS, MAIN PROPEL T300e (S/N 30000000 - 30061051)	174
ELECTRICAL HARNESS, MAIN PUSH T300e (S/N 30061119 -)	178
ELECTRICAL HARNESS, MAIN PUSH T300e (S/N 30000000 - 30061118)	182
ELECTRICAL HARNESS, OPTIONS PROPEL	186
ELECTRICAL HARNESS, OPTIONS PUSH	187
ELECTRICAL HARNESS, BAIL SWITCH	188
ELECTRICAL HARNESS, ADAPTER (TELEMETRY MODELS)	189

OPTIONS

BATTERY LIFT OUT BOX KIT	190
HYDROLINK® BATTERY WATERING SYSTEM KIT	192
DOCUMENTATION GROUP	194

BREAKDOWNS

ec- H2O NANOCLEAN MODULE BREAKDOWN	196
ORBITAL HEAD ECCENTRIC DRIVE BREAKDOWN	198

RECOMMENDED MAINTENANCE ITEMS

GENERAL RECOMMENDED MAINTENANCE ITEMS

Part No.	Serial Number	Description	Qty.
1016763	(30000000- 40000000)	Brush Assy, Disk, Scb, 17.0d, Abr (3- Lug)	1
1016764	(30000000- 40000000)	Brush Assy, Disk, Scb, 17.0d, Nyl (3- Lug)	1
1016765	(30000000- 40000000)	Brush Assy, Disk, Scb, 17.0d, Pyp (3- Lug)	1
1213034	(30000000- 40000000)	Brush Assy, Disk, Scb, 43cm, Mag, Nyl	1
1213035	(30000000- 40000000)	Brush Assy, Disk, Scb, 43cm, Mag, Pyp	1
1213037	(30000000- 40000000)	Brush Assy, Disk, Scb, 43cm, Mag, Ab	1
1050273	(30000000- 40000000)	Pad, Polish, 17.0d, White [1pick=1pad]	1
1050271	(30000000- 40000000)	Pad, Buff, 17.0d, Red [1pick=1pad]	1
1050270	(30000000- 40000000)	Pad, Scb, 17.0d, Blue [1pick=1pad]	1
1050267	(30000000- 40000000)	Pad, Stripping, 17.0d, Brown[1pick=1pad]	1
1050262	(30000000- 40000000)	Pad, Stripping, 17.0d[Hi Pro,1pick=1pad]	1
1051028	(30000000- 40000000)	Pad, Surf Prep, 17.0d [Mar, 1pick=1pad]	1
1016805	(30000000- 40000000)	Brush Assy, Disk, Scb, 20.0d, Abr (3- Lug)	1
1016810	(30000000- 40000000)	Brush Assy, Disk, Scb, 20.0d, Nyl (3- Lug)	1
1016811	(30000000- 40000000)	Brush Assy, Disk, Scb, 20.0d, Pyp (3- Lug)	1
1210386	(30000000- 40000000)	Brush Assy, Disk, Scb, 50cm, Mag, Nyl	1
1213032	(30000000- 40000000)	Brush Assy, Disk, Scb, 50cm, Mag, Pyp	1
1213033	(30000000- 40000000)	Brush Assy, Disk, Scb, 50cm, Mag, Ab	1
17260	(30000000- 40000000)	Pad, Polish, 20.0d, White [1pick=1pad]	1
17261	(30000000- 40000000)	Pad, Buff, 20.0d, Red [1pick=1pad]	1
17262	(30000000- 40000000)	Pad, Scb, 20.0d, Blu [1pick=1pad]	1
17263	(30000000- 40000000)	Pad, Stripping, 20.0d, Brown[1pick=1pad]	1
370094	(30000000- 40000000)	Pad, Stripping, 20.0d[Hi Prod,1pick=1pad]	1
1051030	(30000000- 40000000)	Pad, Surf Prep, 20.0d [Mar, 1pick=1pad]	1
1056306	(30000000- 40000000)	Brush Assy, Disk, Scb, 12.0d, 3- Lug, Nyl	2
1056313	(30000000- 40000000)	Brush Assy, Disk, Scb, 12.0d, 3- Lug, Pyp	2
1063297	(30000000- 40000000)	Brush Assy, Disk, Scb, 12.0d, 3- Lug, Abr	2
1210136	(30000000- 40000000)	Brush Assy, Disk, Scb, 30cm, Mag, Nyl	2
1213040	(30000000- 40000000)	Brush Assy, Disk, Scb, 30cm, Mag, Pyp	2
1213041	(30000000- 40000000)	Brush Assy, Disk, Scb, 30cm, Mag, Ab	2
385940	(30000000- 40000000)	Pad, Polish, 12.0d, White [1pick=1pad]	2
385941	(30000000- 40000000)	Pad, Buff, 12.0d, Red [1pick=1pad]	2
385942	(30000000- 40000000)	Pad, Scb, 12.0d, Blu [1pick=1pad]	2
385943	(30000000- 40000000)	Pad, Stripping, 12.0d, Brown[1pick=1pad]	2
1063334	(30000000- 40000000)	Pad, Stripping, 12.0d [Hi- Prod] Blk	2
1051020	(30000000- 40000000)	Pad, Surf Prep, 12.0d [Mar, 1pick=1pad]	2
1209188	(30000000- 40000000)	Brush, Scb, 21l, 20sr, Nyl (Cylindrical Model)	2
1212762	(30000000- 40000000)	Brush, Scb, 21l, 20sr, Pyp (Cylindrical Model)	2
1205512	(30000000- 40000000)	Pad, Polish, 20 X 14, White [1pick=1pc] (Orbital Model)	1
1205513	(30000000- 40000000)	Pad, Buff, 20 X 14, Red [1pick=1pc] (Orbital Model)	1
1205514	(30000000- 40000000)	Pad, Scb, 20 X 14, Blu [1pick=1pc] (Orbital Model)	1
1205515	(30000000- 40000000)	Pad, Surf Prep, 20 X 14[Mar, 1pick=1pad] (Orbital Model)	1
1217830	(30000000- 40000000)	Pad, Backer, 20 X 14 (Orbital Model)	1
▽ 9014172	(30000000- 40000000)	Squeegee Kit, Linatex, Am [T300/E/Ss300]	1
▲ 1203954	(30000000- 40000000)	Blade, Sqge, Front, 788l, Linatex[500mm] (Standard)	1
1215611	(30000000- 40000000)	Blade, Sqge, Front, 788l, Urethane[500mm] (Option)	1
1215612	(30000000- 40000000)	Blade, Sqge, Front, 788l, Gum[500mm] (Option)	1
▲ 1203953	(30000000- 40000000)	Blade, Sqge, Rear, 836l, Linatex[500mm] (Standard)	1
1215609	(30000000- 40000000)	Blade, Sqge, Rear, 836l, Urethane[500mm] (Option)	1
1215610	(30000000- 40000000)	Blade, Sqge, Rear, 836l, Gum[500mm] (Option)	1
▲ 1010560	(30000000- 40000000)	Wheel, Bmpr, 80d X 25w, Non- Marking	2
▲ 630477	(30000000- 40000000)	Wheel, Pyu, 02.0d 0.38w, Gray	2

RECOMMENDED MAINTENANCE ITEMS

GENERAL RECOMMENDED MAINTENANCE ITEMS

Part No.	Serial Number	Description	Qty.
1055019	(30000000- 40000000)	Bumper, Head, 43cm, W/ Bristle Skirt, 1m	1
1055025	(30000000- 40000000)	Bumper, Head, 50cm, W/ Bristle Skirt, 1m	1
1072656	(30000000- 40000000)	Bumper, Head, 60cm, Bristle Skirt	1
1010560	(30000000- 40000000)	Wheel, Bmpr, 80d X 25w, Non- Marking (Disk Heads)	1
▽ 1226976	(30062111- 40000000)	Motor, Ele, 24vdc 0215rpm 650w, 17mm (43CM & 50CM Disk Head - T300 & T300e Models)	1
▲ 1227273	(30062111- 40000000)	Vr, Brush Kit, Motor, Ele (4pc)	1
▽ 1210703	(30000000- 30062110)	Motor, Ele, 24vdc 0200rpm 1.00hp, 17mm (43CM & 50CM Disk Head - T300 & T300e Models) (Replaced By 9015159)	1
▲ 1045790	(30000000- 30062110)	Brush Kit, Replmt, Carbon 24vdc [1pk=1set] (4Pc) (For Sanrong Motor - Frame #56S)	1
▽ 1228117	(30066322- 40000000)	Motor, Ele, 24vdc 150rpm 0.68hp, 17mm (50CM Disk Head - T300e Model Only)	1
▲ 1045790	(30000000- 40000000)	Vr, Brush Kit, Motor, Ele (4pc)	1
▽ 1222495	(30000000- 30066321)	Motor, Ele, 24vdc 150rpm 0.68hp, 17mm (50CM Disk Head - T300e Model Only) (Replaced By 9015198)	1
▲ 1045790	(30000000- 40000000)	Brush Kit, Replmt, Carbon 24vdc [1pk=1set] (4Pc) (For Sanrong Motor - Frame #56S)	1
▽ 1227280	(30066322- 40000000)	Motor, 24vdc, 2000rpm, 7/8hp (60CM Disk Head)	1
▲ 1059370	(30000000- 40000000)	Brush, Motor, Replmt [Bag Of 4]	1
▽ 1210212	(30000000- 30066321)	Motor, 24vdc, 2000rpm, 7/8hp, Us (60CM Disk Head) (Replaced By 9015160)	1
▲ 1059370	(30000000- 40000000)	Brush, Motor, Replmt [Bag Of 4]	1
▽ 1210202	(30000000- 40000000)	Motor, Ele, 24vdc [Vw Cyl] (Cylindrical Head)	1
▲ 1059370	(30000000- 40000000)	Brush, Motor, Replmt (Bag Of 4) (Cylindrical Head)	1
▽ 1212669	(30000000- 40000000)	Motor, Ele, 24vdc, 2200rpm, .6hp, 22mm (Orbital Head)	1
▲ 1059370	(30000000- 40000000)	Brush, Motor, Replmt [Bag Of 4] (Orbital Head)	1
1055305	(30000000- 40000000)	Belt, Drive, 6pj, Ej139 [T3] (60CM Disk Head)	1
▽ 9014166	(30000000- 40000000)	Kit, Belt, Motor (Includes Installation Tool) (Cyl Head)	1
▲ 1213132	(30000000- 40000000)	Tool, Installation, Belt	1
1215666	(30000000- 40000000)	Skirt, Side, Cyl, Floating (Cylindrical Head)	2
630477	(30000000- 40000000)	Wheel, Pyu, 02.0d 0.38w, Gray (Cylindrical Head)	4
▽ 1202880	(30000000- 40000000)	Fan, Vacuum, 6.6d, 024vdc, 2 Stage (T300 Model)	1
▲ 1206774	(30000000- 40000000)	Vr, Brush Kit, Motor, Fan (1 Pkg = 2 Pcs)	1
▽ 1219312	(30000000- 40000000)	Fan, Vacuum, 5.7d, 024vdc, 2 Stage (T300e Model)	1
▲ 372883	(30000000- 40000000)	Vr, Brush Kit, Motor, Ele (1 Pkg = 2 Pcs)	1
▽ 9014872	(30052709- 40000000)	Kit, Deflector, Tray, Debris, Cl, [T300]	1
▲ 1225187	(30052709- 40000000)	Seal, Rbr, Clsd, 12.7 Th , 24.0ld, 40.0Od	1
▲ 1224899	(30052709- 40000000)	Deflector, Tray, Debris	1
▲ 1207357	(30000000- 40000000)	Tray, Debris, Tank, Recvy [T300]	1
9014905	(30052396- 40000000)	Cover Kit, Circuitbreaker, Ci[T300/E/Ss]	1
630052	(30000000- 40000000)	Float, Shut- Off, (2)Ball, 1.75d	1
▽ 1213008	(30000000- 40000000)	Hose Assy, Drain, 1.5d 025l 1.5/Cap [Pu] (Gray)	1
▲ 1219134	(30000000- 40000000)	Cap, Drain Assy [Gray]	1
▽ 1229594	(30000000- 40000000)	Hose Assy, Drain, 1.5d 017l, [Pvc], [Ch]	1
▲ 1218955	(30000000- 40000000)	Cap, Drain Assy [Black]	1
1204663	(30000000- 40000000)	Hose Assy, W/2cuff, 1.5d 026l 1.5/1.5 [Pu] (Gray)	1
1229595	(30000000- 40000000)	Hose Assy, W/2cuff, 1.5d 022l, [Pvc], [Ch]	1
▽ 9014171	(30000000- 40000000)	Hose Assy, With Valve	1
▲ 1051986	(30000000- 40000000)	Valve, Ball, 2way, 1.0id Pvc, W/Handle	1
▲ 1222591	(30000000- 40000000)	Hose Assy, 45cuff, 1.5d 021l 1.5/1.5 [Pu] (Gray)	1

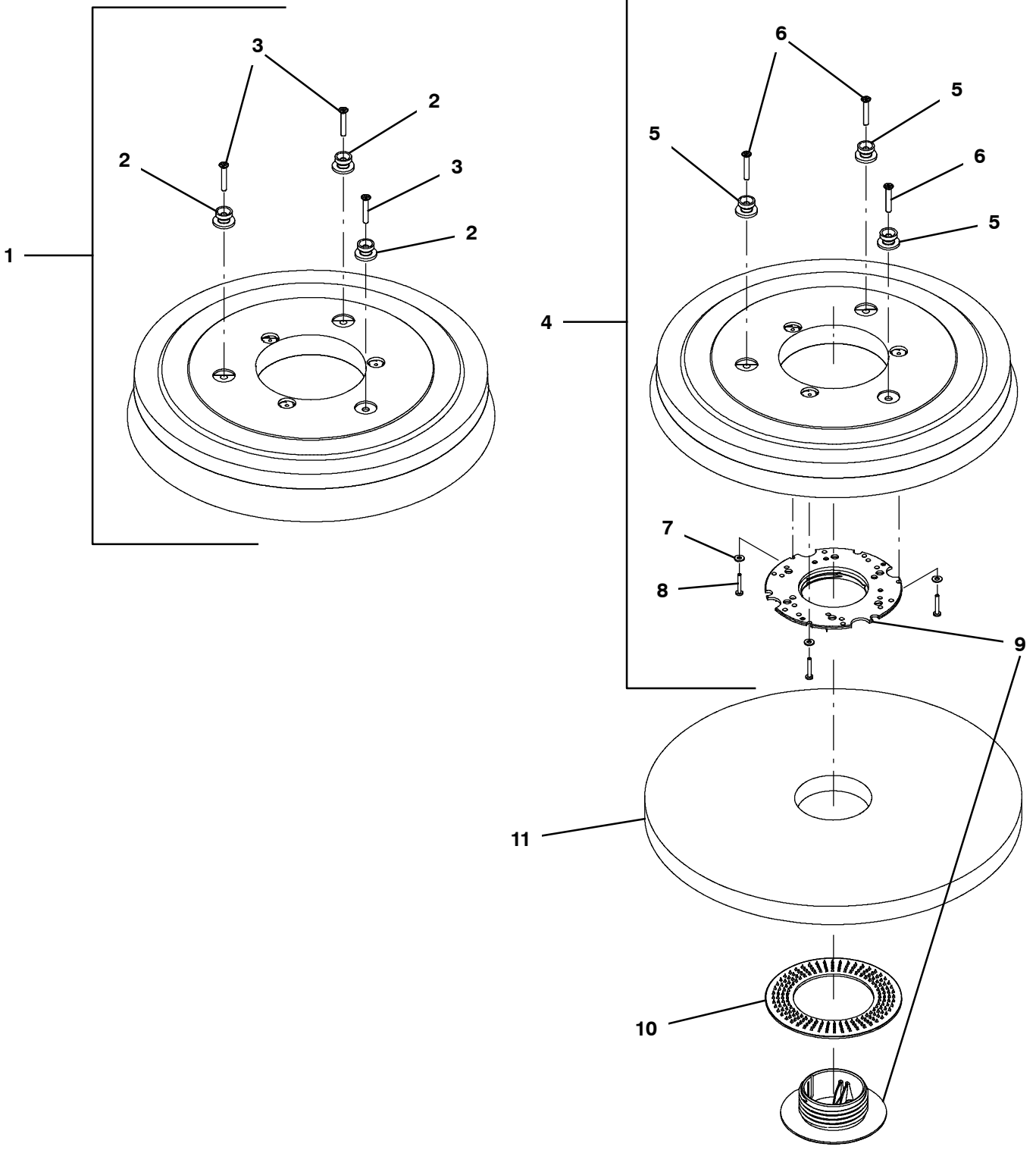
RECOMMENDED MAINTENANCE ITEMS

GENERAL RECOMMENDED MAINTENANCE ITEMS

	Part No.	Serial Number	Description	Qty.
	1210472	(30000000- 40000000)	Seal, Afmkt, Bulb, 0.50d .13grip, 05ft (Rec Tank Lid)	1
	1046428	(30000000- 40000000)	Seal, Afmkt, Rbr, Clsd, Adh, 02ft (Front Fill Cover)	1
▽	1216386	(30000000- 40000000)	Motor, Transaxle, 24vdc, Replmt [Ul, Ce]	1
▲	1212351	(30000000- 40000000)	Brush Kit, Carbon, Transaxle, Ul (1 Kit = 4 Pcs)	1
	1214595	(30000000- 40000000)	Wheel, Scrbr, 8.00d, W/ Taper [Hi Trac] (Propel Model)	2
	1214586	(30000000- 40000000)	Wheel, Scrbr, 8.00d, W/ Brg [Hi Trac] (Push Model)	2
	1212422	(30000000- 40000000)	Caster, Swivel [Wicke 224051]	1
▽	1211537	(30000000- 40000000)	Filter, In- Line, Pf06/Pf06 080m 2.6l Epd	1
▲	1218885	(30000000- 40000000)	Gasket [Epdm, F/1211537]	1
▲	1218883	(30000000- 40000000)	Screen, Fltr, 80 Mesh, Ss [W/ Cage]	1
▲	613991	(30000000- 40000000)	Bowl, Clr, Short, F/1005302	1
▽	9011810	(30000000- 40000000)	Module Kit, Replmt [Ec- H2o, B 02] (See Breakdowns)	1
▲	9013646	(30000000- 40000000)	Cartridge, Ec- H2o Nanoclean Wcm, 270ml	1

BRUSHES AND PAD DRIVER GROUP, 43CM DISK 3-LUG HUB

355330



BRUSHES AND PAD DRIVER GROUP, 43CM DISK 3- LUG HUB

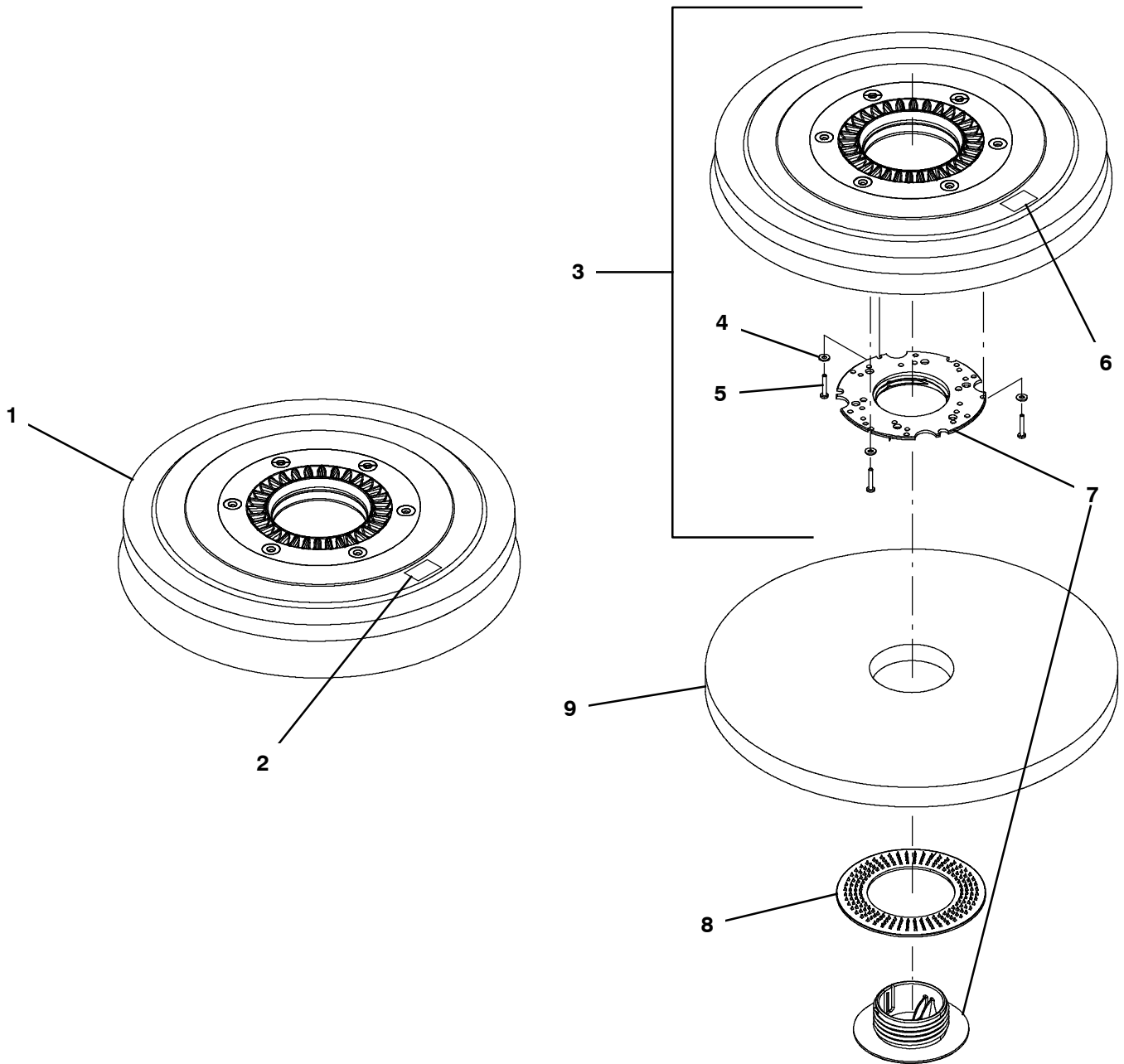
Ref.	Part No.	Serial Number	Description	Qty.
▽	1	1016763	(30000000- 40000000) Brush Assy, Disk, Scb, 17.0d, Abr	1
▽	1	1016764	(30000000- 40000000) Brush Assy, Disk, Scb, 17.0d, Nyl	1
▽	1	1016765	(30000000- 40000000) Brush Assy, Disk, Scb, 17.0d, Pyp	1
▲	2	1013018	(30000000- 40000000) Stud, Drive, Brush Pad	3
▲	3	1021316	(30000000- 40000000) Screw, Flt, Phl, M6 X 1.00 X 35, Ss	3
▽	4	1212965	(30000000- 40000000) Driver Assy, Pad, 43cm, Brush, 3 Lug	1
▲	5	1013018	(30000000- 40000000) Stud, Drive, Brush Pad	3
▲	6	1021316	(30000000- 40000000) Screw, Flt, Phl, M6 X 1.00 X 35, Ss	3
▲	7	41579	(30000000- 40000000) Washer, Flat, 08, Ss	3
▲	8	04403	(30000000- 40000000) Screw, Pan, Phl, M4 X 0.70 X 25, NI, Ss	3
▲	9	32506	(30000000- 40000000) Device, Centering, Rh Pad Retainer	1
▲	10	32505	(30000000- 40000000) Washer, Flat, 92b 156d 2.6l, Pad Driver	1
	11	1050273	(30000000- 40000000) Pad, Polish, 17.0d, White [1pick=1pad]	1
	11	1050271	(30000000- 40000000) Pad, Buff, 17.0d, Red [1pick=1pad]	1
	11	1050270	(30000000- 40000000) Pad, Scb, 17.0d, Blue [1pick=1pad]	1
	11	1050267	(30000000- 40000000) Pad, Stripping, 17.0d, Brown[1pick=1pad]	1
	11	1050262	(30000000- 40000000) Pad, Stripping, 17.0d[Hi Pro,1pick=1pad]	1
	11	1051028	(30000000- 40000000) Pad, Surf Prep, 17.0d [Mar, 1pick=1pad]	1

▽ ASSEMBLY

▲ INCLUDED IN ASSEMBLY

BRUSHES AND PAD DRIVER GROUP, 43CM DISK MAGNETIC HUB

355338



BRUSHES AND PAD DRIVER GROUP, 43CM DISK MAGNETIC HUB

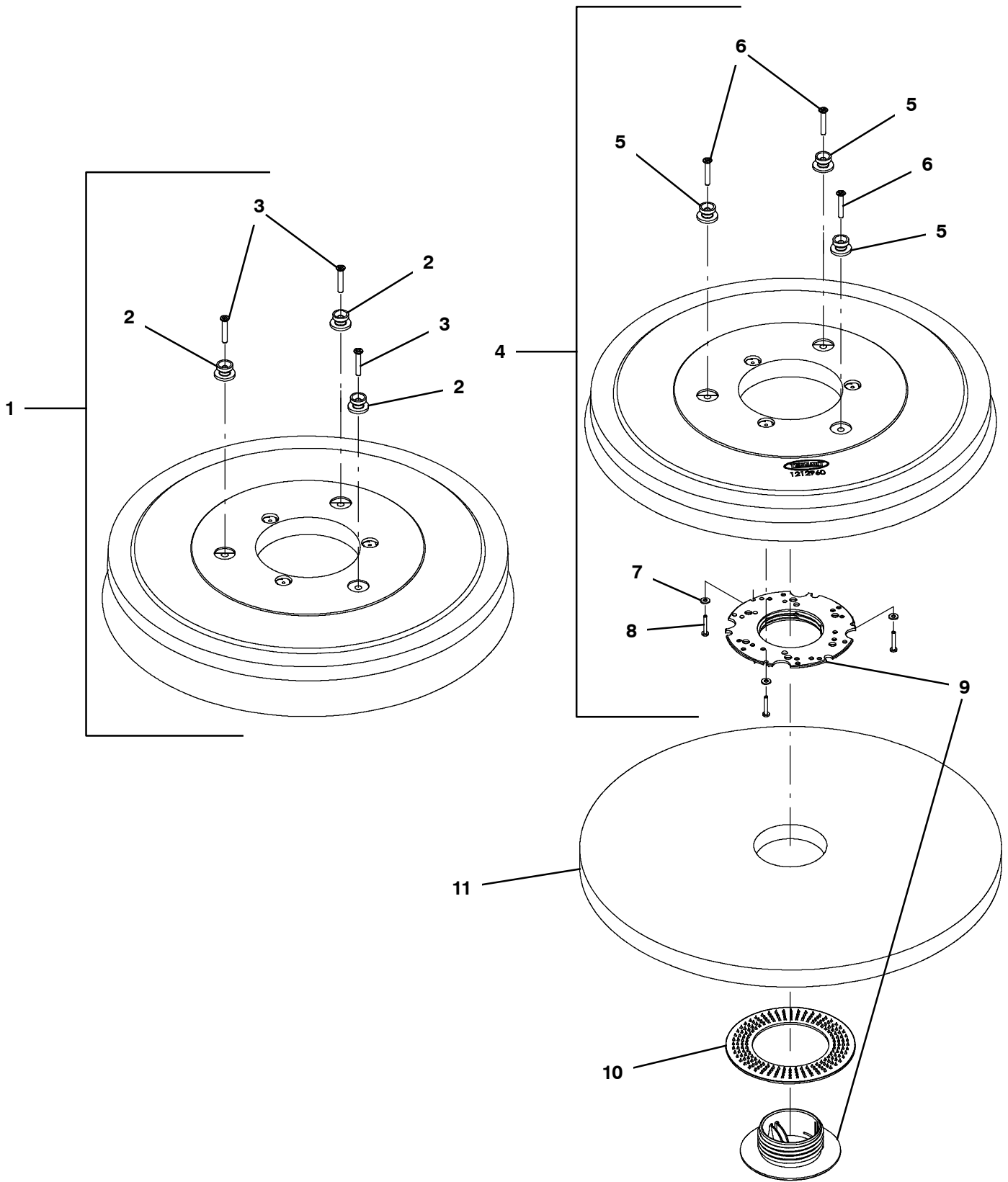
Ref.	Part No.	Serial Number	Description	Qty.
▽	1	1213034	(30000000- 40000000) Brush Assy, Disk, Scb, 43cm, Mag, Nyl	1
▽	1	1213035	(30000000- 40000000) Brush Assy, Disk, Scb, 43cm, Mag, Pyp	1
▽	1	1213037	(30000000- 40000000) Brush Assy, Disk, Scb, 43cm, Mag, Ab	1
▲	2	1218392	(30000000- 40000000) Label, Safety, Magnet, Med	1
▽	3	1211869	(30000000- 40000000) Driver Assy, Pad, 43cm, Brush, Magnetic	1
▲	4	41579	(30000000- 40000000) Washer, Flat, 08, Ss	3
▲	5	1212542	(30000000- 40000000) Screw, Pan, Phl, M4 X 0.70 X 12, Nl, Ss	3
▲	6	1218392	(30000000- 40000000) Label, Safety, Magnet, Med	1
▲	7	32506	(30000000- 40000000) Device, Centering, Rh Pad Retainer	1
▲	8	32505	(30000000- 40000000) Washer, Flat, 92b 156d 2.6l, Pad Driver	1
	9	1050273	(30000000- 40000000) Pad, Polish, 17.0d, White [1pick=1pad]	1
	9	1050271	(30000000- 40000000) Pad, Buff, 17.0d, Red [1pick=1pad]	1
	9	1050270	(30000000- 40000000) Pad, Scb, 17.0d, Blue [1pick=1pad]	1
	9	1050267	(30000000- 40000000) Pad, Stripping, 17.0d, Brown[1pick=1pad]	1
	9	1050262	(30000000- 40000000) Pad, Stripping, 17.0d[Hi Pro,1pick=1pad]	1
	9	1051028	(30000000- 40000000) Pad, Surf Prep, 17.0d [Mar, 1pick=1pad]	1

▽ ASSEMBLY

▲ INCLUDED IN ASSEMBLY

BRUSHES AND PAD DRIVER GROUP, 50CM DISK 3-LUG HUB

355331



BRUSHES AND PAD DRIVER GROUP, 50CM DISK 3- LUG HUB

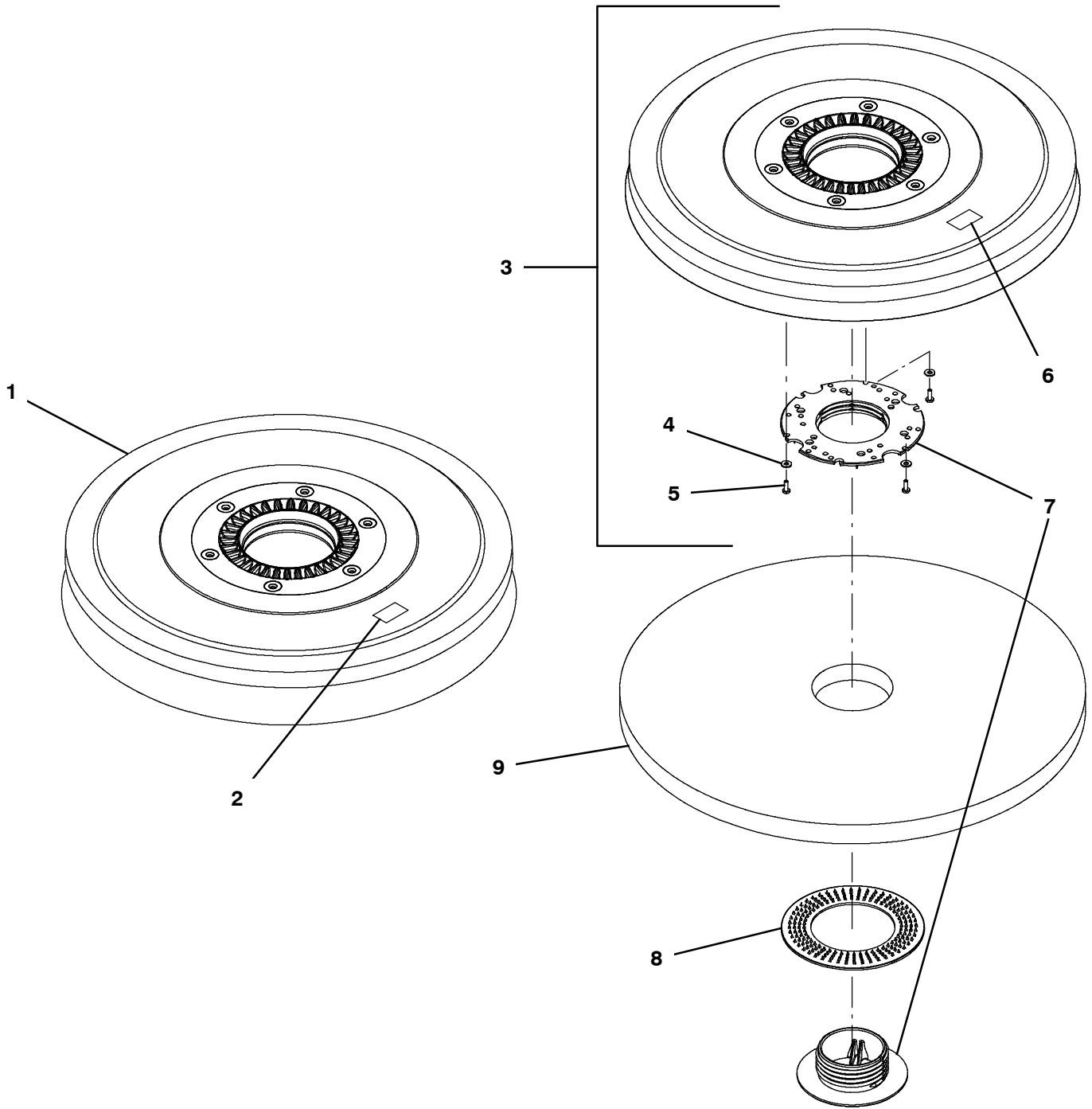
Ref.	Part No.	Serial Number	Description	Qty.
▽	1	1016805	(30000000- 40000000) Brush Assy, Disk, Scb, 20.0d, Abr	1
▽	1	1016810	(30000000- 40000000) Brush Assy, Disk, Scb, 20.0d, Nyl	1
▽	1	1016811	(30000000- 40000000) Brush Assy, Disk, Scb, 20.0d, Pyp	1
▲	2	1013018	(30000000- 40000000) Stud, Drive, Brush Pad	3
▲	3	1021316	(30000000- 40000000) Screw, Flt, Phl, M6 X 1.00 X 35, Ss	3
▽	4	1212960	(30000000- 40000000) Driver Assy, Pad, 50cm, Brush, 3 Lug	1
▲	5	1013018	(30000000- 40000000) Stud, Drive, Brush Pad	3
▲	6	1021316	(30000000- 40000000) Screw, Flt, Phl, M6 X 1.00 X 35, Ss	3
▲	7	41579	(30000000- 40000000) Washer, Flat, 08, Ss	3
▲	8	04403	(30000000- 40000000) Screw, Pan, Phl, M4 X 0.70 X 25, NI, Ss	3
▲	9	32506	(30000000- 40000000) Device, Centering, Rh Pad Retainer	1
▲	10	32505	(30000000- 40000000) Washer, Flat, 92b 156d 2.6l, Pad Driver	1
	11	17260	(30000000- 40000000) Pad, Polish, 20.0d, White [1pick=1pad]	1
	11	17261	(30000000- 40000000) Pad, Buff, 20.0d, Red [1pick=1pad]	1
	11	17262	(30000000- 40000000) Pad, Scb, 20.0d, Blu [1pick=1pad]	1
	11	17263	(30000000- 40000000) Pad, Stripping, 20.0d, Brown[1pick=1pad]	1
	11	370094	(30000000- 40000000) Pad, Stripping, 20.0d[Hi Prod,1pick=1pad]	1
	11	1051030	(30000000- 40000000) Pad, Surf Prep, 20.0d [Mar, 1pick=1pad]	1

▽ ASSEMBLY

▲ INCLUDED IN ASSEMBLY

BRUSHES AND PAD DRIVER GROUP, 50CM DISK MAGNETIC HUB

355339



BRUSHES AND PAD DRIVER GROUP, 50CM DISK MAGNETIC HUB

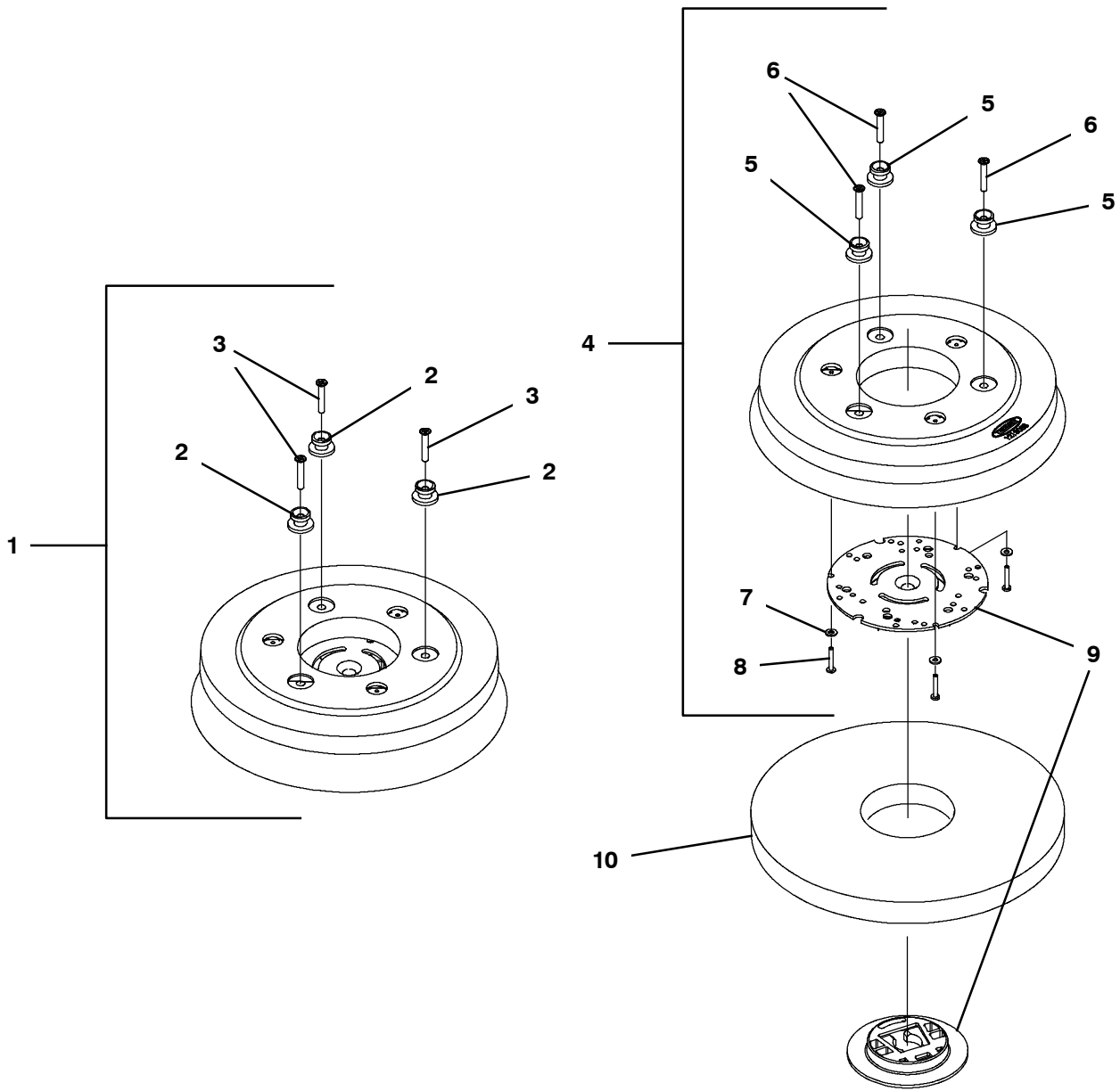
Ref.	Part No.	Serial Number	Description	Qty.
▽	1	1210386	(30000000- 40000000) Brush Assy, Disk, Scb, 50cm, Mag, Nyl	1
▽	1	1213032	(30000000- 40000000) Brush Assy, Disk, Scb, 50cm, Mag, Pyp	1
▽	1	1213033	(30000000- 40000000) Brush Assy, Disk, Scb, 50cm, Mag, Ab	1
▲	2	1218392	(30000000- 40000000) Label, Safety, Magnet, Med	1
▽	3	1209197	(30000000- 40000000) Driver Assy, Pad, 50cm, Brush, Magnetic	1
▲	4	41579	(30000000- 40000000) Washer, Flat, 08, Ss	3
▲	5	1212542	(30000000- 40000000) Screw, Pan, Phl, M4 X 0.70 X 12, Nl, Ss	3
▲	6	1218392	(30000000- 40000000) Label, Safety, Magnet, Med	1
▲	7	32506	(30000000- 40000000) Device, Centering, Rh Pad Retainer	1
▲	8	32505	(30000000- 40000000) Washer, Flat, 92b 156d 2.6l, Pad Driver	1
	9	17260	(30000000- 40000000) Pad, Polish, 20.0d, White [1pick=1pad]	1
	9	17261	(30000000- 40000000) Pad, Buff, 20.0d, Red [1pick=1pad]	1
	9	17262	(30000000- 40000000) Pad, Scb, 20.0d, Blu [1pick=1pad]	1
	9	17263	(30000000- 40000000) Pad, Stripping, 20.0d, Brown[1pick=1pad]	1
	9	370094	(30000000- 40000000) Pad, Stripping, 20.0d[Hi Prod,1pick=1pad]	1
	9	1051030	(30000000- 40000000) Pad, Surf Prep, 20.0d [Mar, 1pick=1pad]	1

▽ ASSEMBLY

▲ INCLUDED IN ASSEMBLY

BRUSHES AND PAD DRIVER GROUP, 60CM DUAL DISK 3-LUG HUB

355332



BRUSHES AND PAD DRIVER GROUP, 60CM DUAL DISK 3-LUG HUB

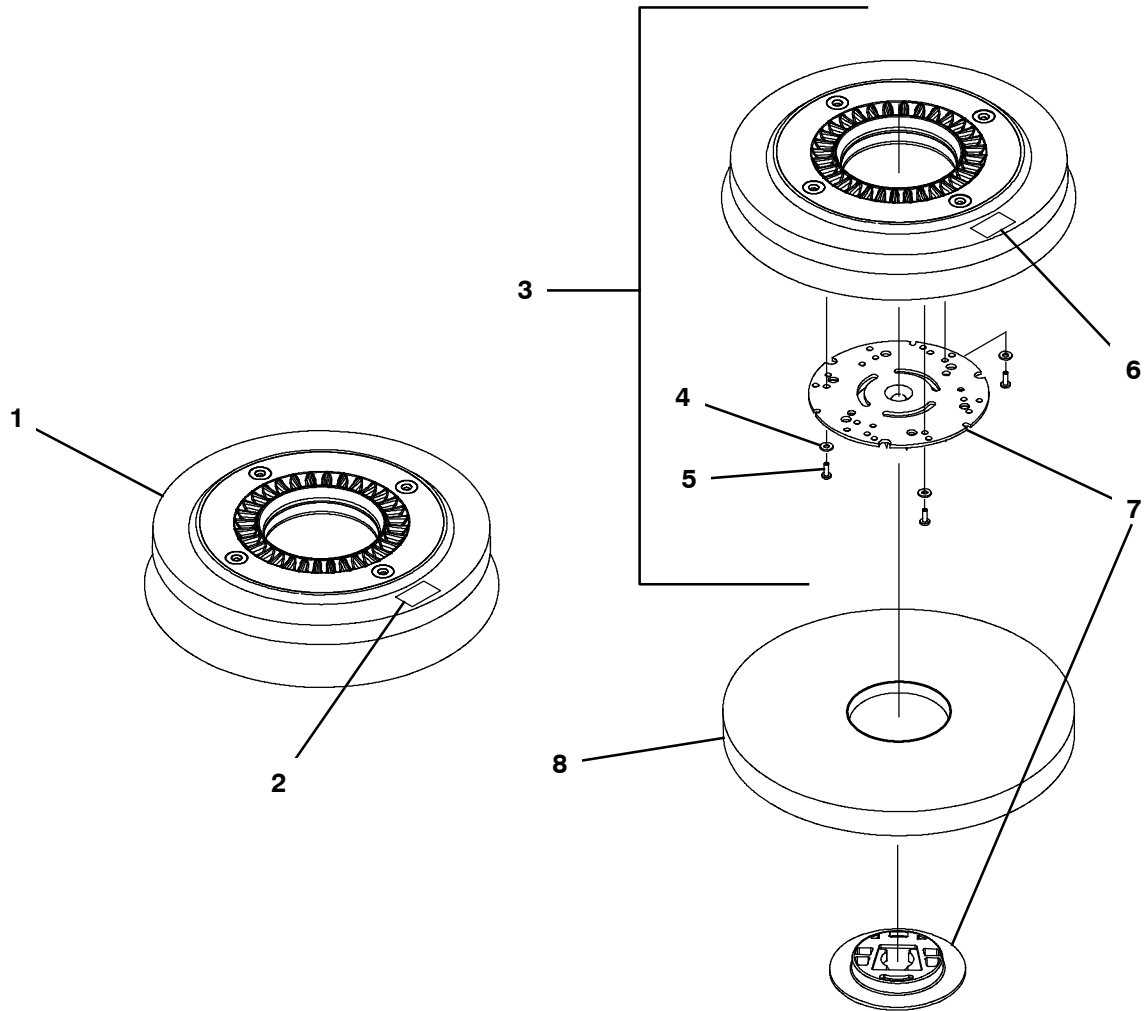
Ref.	Part No.	Serial Number	Description	Qty.
▽	1	1056306	(30000000- 40000000) Brush Assy, Disk, Scb, 12.0d, 3- Lug, Nyl	2
▽	1	1056313	(30000000- 40000000) Brush Assy, Disk, Scb, 12.0d, 3- Lug, Pyp	2
▽	1	1063297	(30000000- 40000000) Brush Assy, Disk, Scb, 12.0d, 3- Lug, Abr	2
▲	2	1055558	(30000000- 40000000) Mount, Lug, Pad- Driver [T3]	3
▲	3	1021316	(30000000- 40000000) Screw, Flt, Phl, M6 X 1.00 X 35, Ss	3
▽	4	1213038	(30000000- 40000000) Driver Assy, Pad, 30cm, Brush, 3 Lug	2
▲	5	1055558	(30000000- 40000000) Mount, Lug, Pad- Driver [T3]	3
▲	6	1021316	(30000000- 40000000) Screw, Flt, Phl, M6 X 1.00 X 35, Ss	3
▲	7	41579	(30000000- 40000000) Washer, Flat, 08, Ss	3
▲	8	04403	(30000000- 40000000) Screw, Pan, Phl, M4 X 0.70 X 25, NI, Ss	3
▲	9	370095	(30000000- 40000000) Device, Centering, Clip On, TI [Gf Pp]	1
	10	385940	(30000000- 40000000) Pad, Polish, 12.0d, White [1pick=1pad]	2
	10	385941	(30000000- 40000000) Pad, Buff, 12.0d, Red [1pick=1pad]	2
	10	385942	(30000000- 40000000) Pad, Scb, 12.0d, Blu [1pick=1pad]	2
	10	385943	(30000000- 40000000) Pad, Stripping, 12.0d, Brown[1pick=1pad]	2
	10	1063334	(30000000- 40000000) Pad, Stripping, 12.0d [Hi- Prod] Blk	2
	10	1051020	(30000000- 40000000) Pad, Surf Prep, 12.0d [Mar, 1pick=1pad]	2

▽ ASSEMBLY

▲ INCLUDED IN ASSEMBLY

BRUSHES AND PAD DRIVER GROUP, 60CM DUAL DISK MAGNETIC HUB

355340



BRUSHES AND PAD DRIVER GROUP, 60CM DUAL DISK MAGNETIC HUB

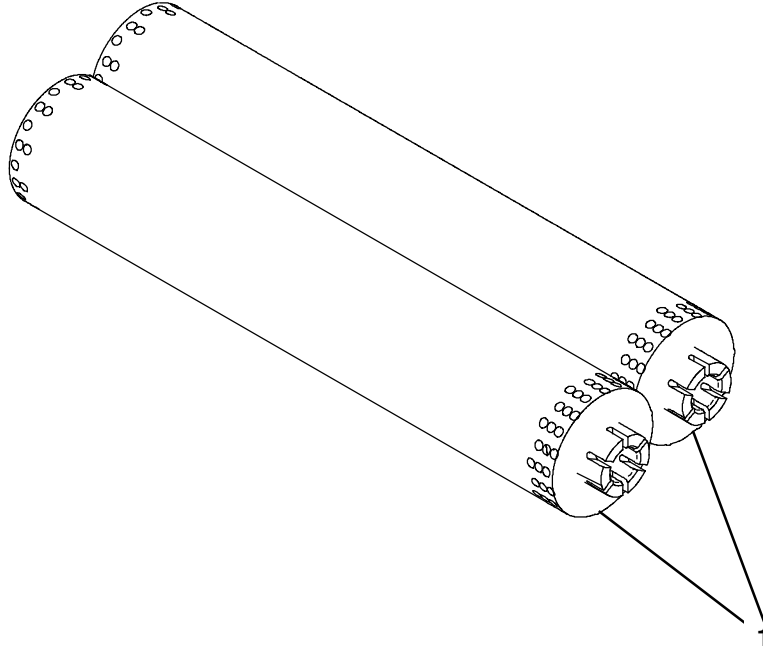
Ref.	Part No.	Serial Number	Description	Qty.
▽	1	1210136	(30000000- 40000000) Brush Assy, Disk, Scb, 30cm, Mag, Nyl	2
▽	1	1213040	(30000000- 40000000) Brush Assy, Disk, Scb, 30cm, Mag, Pyp	2
▽	1	1213041	(30000000- 40000000) Brush Assy, Disk, Scb, 30cm, Mag, Ab	2
▲	2	1218392	(30000000- 40000000) Label, Safety, Magnet, Med	1
▽	3	1209160	(30000000- 40000000) Driver Assy, Pad, 30cm, [Magnetic]	2
▲	4	41579	(30000000- 40000000) Washer, Flat, 08, Ss	3
▲	5	1212542	(30000000- 40000000) Screw, Pan, Phl, M4 X 0.70 X 12, NI, Ss	3
▲	6	1218392	(30000000- 40000000) Label, Safety, Magnet, Med	1
▲	7	370095	(30000000- 40000000) Device, Centering, Clip On, TI [Gf Pp]	1
	8	385940	(30000000- 40000000) Pad, Polish, 12.0d, White [1pick=1pad]	2
	8	385941	(30000000- 40000000) Pad, Buff, 12.0d, Red [1pick=1pad]	2
	8	385942	(30000000- 40000000) Pad, Scb, 12.0d, Blu [1pick=1pad]	2
	8	385943	(30000000- 40000000) Pad, Stripping, 12.0d, Brown[1pick=1pad]	2
	8	1063334	(30000000- 40000000) Pad, Stripping, 12.0d [Hi- Prod] Blk	2
	8	1051020	(30000000- 40000000) Pad, Surf Prep, 12.0d [Mar, 1pick=1pad]	2

▽ ASSEMBLY

▲ INCLUDED IN ASSEMBLY

BRUSHES GROUP, 50CM CYLINDRICAL

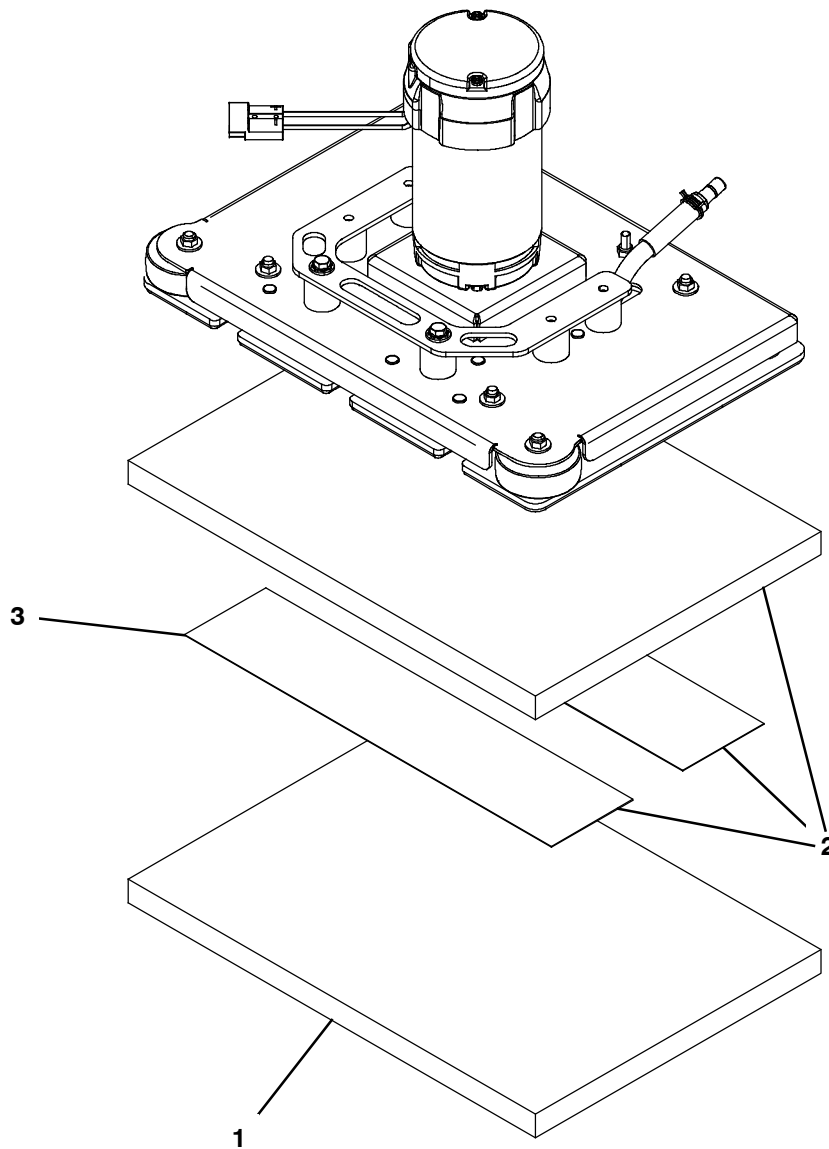
355333



Ref.	Part No.	Serial Number	Description	Qty.
1	1209188	(30000000- 40000000)	Brush, Scb, 21l, 20sr, Nyl	2
1	1212762	(30000000- 40000000)	Brush, Scb, 21l, 20sr, Pyp	2

PAD GROUP, 50CM ORBITAL

355334



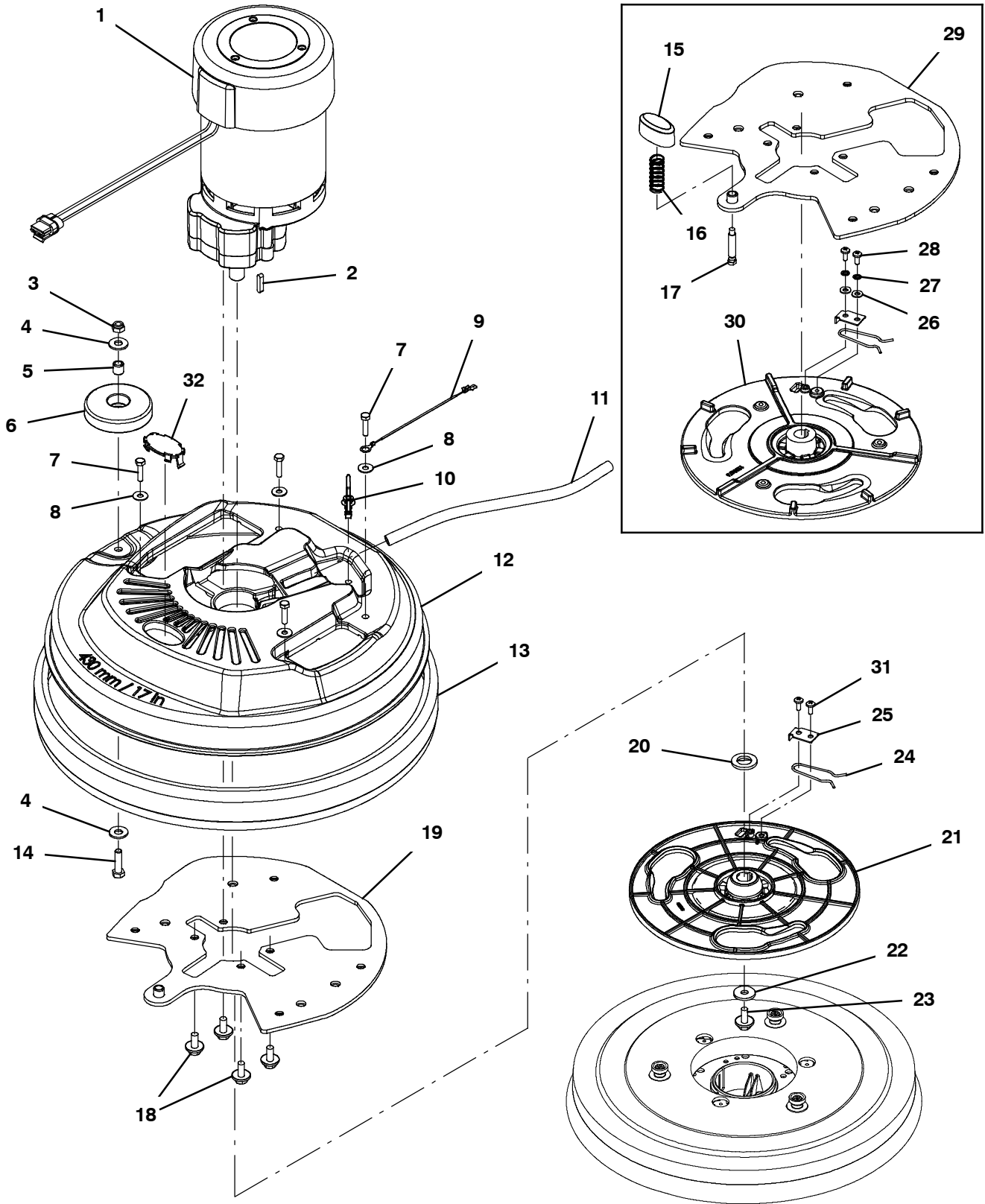
Ref.	Part No.	Serial Number	Description	Qty.
1	1205512	(30000000- 40000000)	Pad, Polish, 20 X 14, White [1pick=1pc]	1
1	1205513	(30000000- 40000000)	Pad, Buff, 20 X 14, Red [1pick=1pc]	1
1	1205514	(30000000- 40000000)	Pad, Scb, 20 X 14, Blu [1pick=1pc]	1
1	1205515	(30000000- 40000000)	Pad, Surf Prep, 20 X 14[Mar, 1pick=1pad]	1
1	1074740	(30000000- 40000000)	Pad, Scb, 14 X 20, Green [1pick=1ctn]	1
▽	2	1217830	(30000000- 40000000) Pad, Backer, 20 X 14 (Includes Hook & Loop Fastener)	1
▲	3	1217945	(30000000- 40000000) Fastener, [Hook & Loop], Hook, 4w X 18l	2

▽ ASSEMBLY

▲ INCLUDED IN ASSEMBLY

SCRUB HEAD GROUP, 43CM DISK, 3-LUG HUB

355528



SCRUB HEAD GROUP, 43CM DISK, 3-LUG HUB

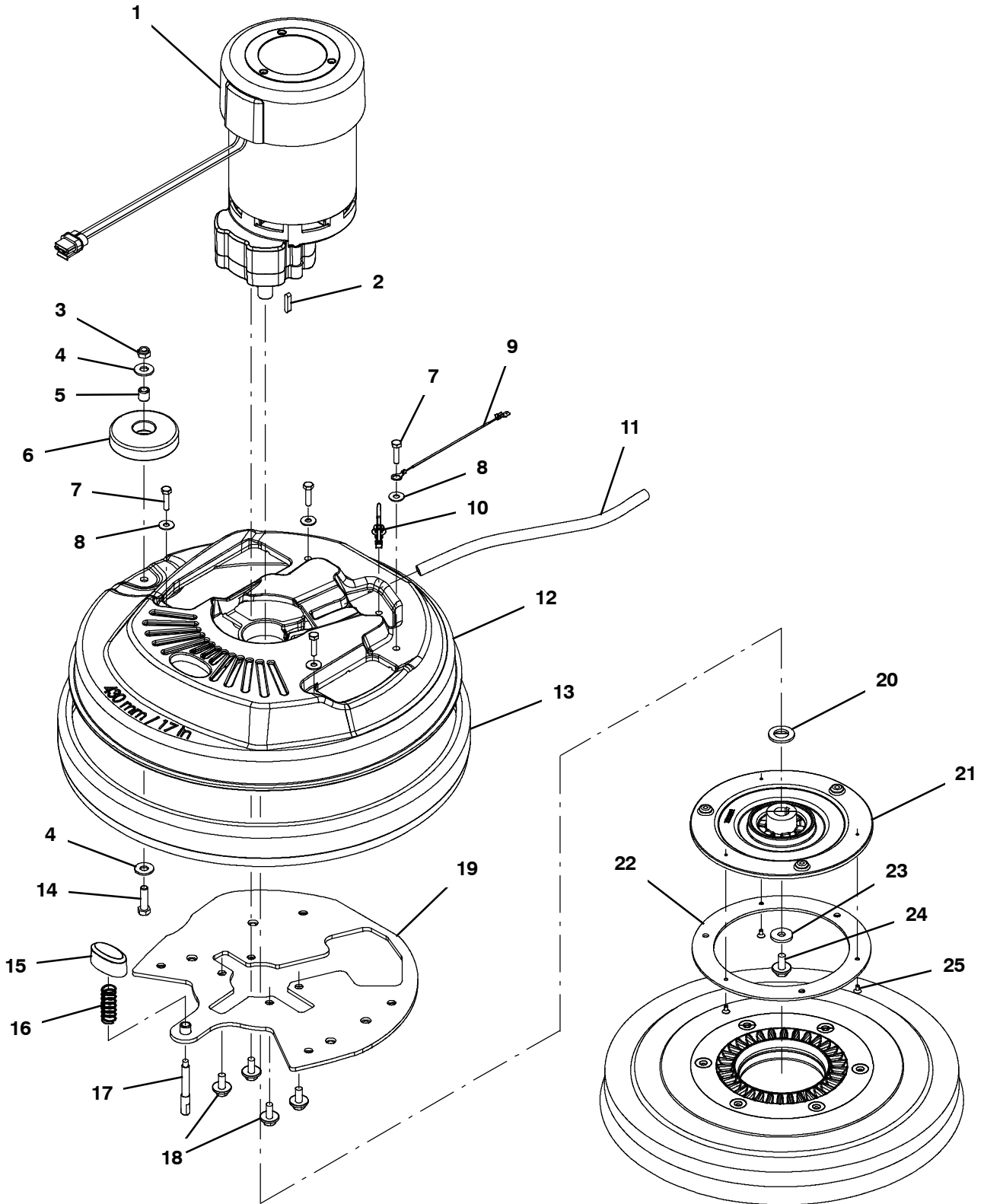
Ref.	Part No.	Serial Number	Description	Qty.
▽	1	1226976	(30062111- 40000000) Motor, Ele, 24vdc 0215rpm 650w, 17mm	1
▲		1227273	(30062111- 40000000) Vr, Brush Kit, Motor, Ele (4pc)	1
▲	2	1014328	(30000000- 40000000) Key, Sq, 05mm X 05mm, 25mml	1
▽	1	1210703	(30000000- 30062110) Motor, Ele, 24vdc 0200rpm 1.00hp, 17mm (Replaced By 9015159)	1
▲		1045790	(30000000- 30062110) Brush Kit, Replmt,Carbon 24vdc[1pk=1set](4Pc) (For Sanrong Motor - Frame #56S)	1
▲	2	1014328	(30000000- 40000000) Key, Sq, 05mm X 05mm, 25mml	1
	3	08713	(30000000- 40000000) Nut, Hex, Lock, M8 X 1.25, NI, Ss	1
	4	01685	(30000000- 40000000) Washer, Flat, 0.38b 0.88d .08, Ss	2
	5	222460	(30000000- 40000000) Sleeve, P/M, 0.32b 0.50d 0.5l [430ss]	1
	6	1010560	(30000000- 40000000) Wheel, Bmpr, 80d X 25w, Non- Marking	1
	7	1016005	(30000000- 40000000) Screw, Hex, M6 X 1.00 X 25, NI, FI, Ss	4
	8	01684	(30000000- 40000000) Washer, Flat, 0.27b 0.69d .05, Ss	4
	9	1074344	(30000000- 40000000) Harness, Ele [Ring With .250m Tail]	1
	10	1210807	(30000000- 40000000) Wire, Tie [W/.25" Fir Tree Clip]	1
	11	9014145	(30000000- 40000000) Hose, Afmkt, Pe, .375id .50od, 05ft	1
	12	1212324	(30000000- 40000000) Housing, Head, 43cm	1
	13	1055019	(30000000- 40000000) Bumper, Head, 43cm, W/ Bristle Skirt, Im	1
	14	1016399	(30000000- 40000000) Screw, Hex, M8 X 1.25 X 30, NI, Ss	1
	15	1211242	(30000000- 30059352) Button, Plunger, Pad	1
	16	1212785	(30000000- 30059352) Spring, Cmpr, .66od, .05wir, 1.75l, Ss	1
	17	1211907	(30000000- 30059352) Pin, Stop, Short	1
	18	1020341	(30000000- 40000000) Screw, Hex, M8 X 1.25 X 20, Ss, Sems	4
	19	1223980	(30062215- 40000000) Plate Wldt, Head, Weighted	1
	20	1022549	(30000000- 40000000) Spacer, Shaft, 17.15b 30.0d 3.0l, Ss	1
	21	1219855	(30059353- 40000000) Hub, Drive, 3lug, Alm- Nyl, 17mm[T2,T300]	1
	22	1017218	(30000000- 40000000) Washer, Flat, 0.32b 1.00d .12, Ss	1
	23	1020341	(30000000- 40000000) Screw, Hex, M8 X 1.25 X 20, Ss, Sems	1
	24	1013188	(30000000- 40000000) Clip, Spring, Drive Hub, Release [T3]	1
	25	1011201	(30000000- 40000000) Plate, Drive Hub, Release Clip [T3]	1
	26	01683	(30000000- 40000000) Washer, Flat, 10, Ss	2
	27	07514	(30000000- 40000000) Washer, Lock, Int, 10, Ss	2
	28	09200	(30000000- 40000000) Screw, Pan, Phl, M5 X 0.80 X 12, Ss	2
	29	1210590	(30000000- 30062214) Plate Wldt, Head, Weighted (Replaced By 9014801)	1
	30	1210676	(30000000- 30059352) Hub, Drive, 3 Lug [Machined] (Replaced By 9014623)	1
	31	140197	(30059353- 40000000) Screw, Trs, Phl, 10- 24 X 0.38, Sems, Ss	2
	32	1221972	(30059353- 40000000) Plug, Hole, Oval, Head, Hsng, Abs [T300]	1

▽ ASSEMBLY

▲ INCLUDED IN ASSEMBLY

SCRUB HEAD GROUP, 43CM DISK, MAGNETIC HUB

355294



SCRUB HEAD GROUP, 43CM DISK, MAGNETIC HUB

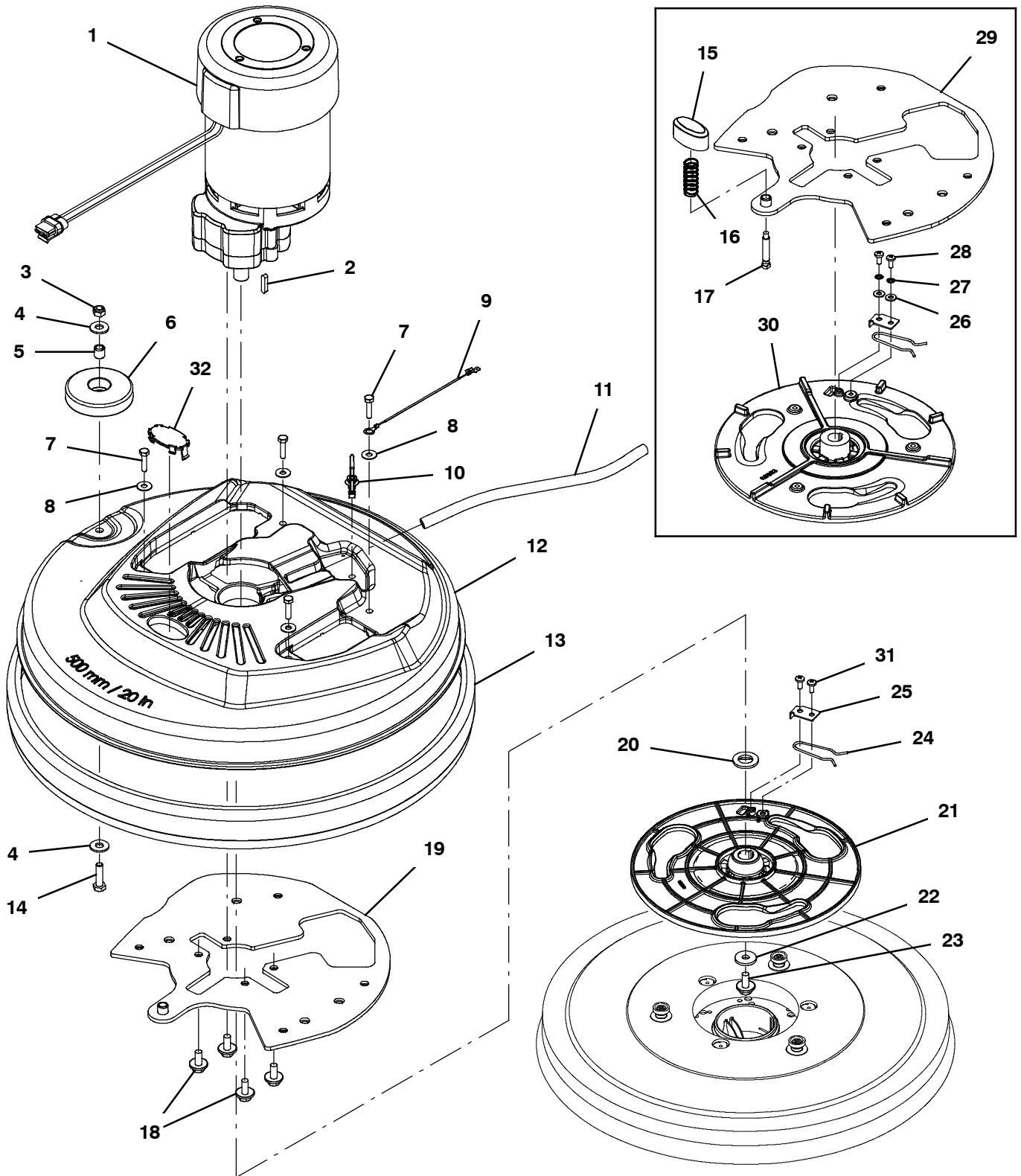
Ref.	Part No.	Serial Number	Description	Qty.
▽	1	1226976	(30062111- 40000000) Motor, Ele, 24vdc 0215rpm 650w, 17mm	1
▲		1227273	(30062111- 40000000) Vr, Brush Kit, Motor, Ele (4pc)	1
▲	2	1014328	(30000000- 40000000) Key, Sq, 05mm X 05mm, 25mm	1
▽	1	1210703	(30000000- 30062110) Motor, Ele, 24vdc 0200rpm 1.00hp, 17mm (Replaced By 9015159)	1
▲		1045790	(30000000- 30062110) Brush Kit, Replmt,Carbon 24vdc[1pk=1set](4Pc) (For Sanrong Motor - Frame #56S)	1
▲	2	1014328	(30000000- 40000000) Key, Sq, 05mm X 05mm, 25mm	1
	3	08713	(30000000- 40000000) Nut, Hex, Lock, M8 X 1.25, NI, Ss	1
	4	01685	(30000000- 40000000) Washer, Flat, 0.38b 0.88d .08, Ss	2
	5	222460	(30000000- 40000000) Sleeve, P/M, 0.32b 0.50d 0.5l [430ss]	1
	6	1010560	(30000000- 40000000) Wheel, Bmpr, 80d X 25w, Non- Marking	1
	7	1016005	(30000000- 40000000) Screw, Hex, M6 X 1.00 X 25, NI, FI, Ss	4
	8	01684	(30000000- 40000000) Washer, Flat, 0.27b 0.69d .05, Ss	4
	9	1074344	(30000000- 40000000) Harness, Ele [Ring With .250m Tail]	1
	10	1210807	(30000000- 40000000) Wire, Tie [W/.25" Fir Tree Clip]	1
	11	9014145	(30000000- 40000000) Hose, Afmkt, Pe, .375id .50od, 05ft	1
	12	1212324	(30000000- 40000000) Housing, Head, 43cm	1
	13	1055019	(30000000- 40000000) Bumper, Head, 43cm, W/ Bristle Skirt, Im	1
	14	1016399	(30000000- 40000000) Screw, Hex, M8 X 1.25 X 30, NI, Ss	1
	15	1211242	(30000000- 40000000) Button, Plunger, Pad	1
	16	1212785	(30000000- 40000000) Spring, Cmpr, .66od, .05wir, 1.75l, Ss	1
	17	1211256	(30000000- 40000000) Pin, Stop, Long	1
	18	1020341	(30000000- 40000000) Screw, Hex, M8 X 1.25 X 20, Ss, Sems	4
	19	1223980	(30062215- 40000000) Plate Wldt, Head, Weighted	1
	19	1210590	(30000000- 30062214) Plate Wldt, Head, Weighted (Replaced By Kit 9014801)	1
	20	1022549	(30000000- 40000000) Spacer, Shaft, 17.15b 30.0d 3.0l, Ss	1
	21	1212312	(30000000- 40000000) Hub, Drive, Magnetic [Machined]	1
	22	1205043	(30000000- 40000000) Ring, Hub, Magnetic	1
	23	1017218	(30000000- 40000000) Washer, Flat, 0.32b 1.00d .12, Ss	1
	24	1020341	(30000000- 40000000) Screw, Hex, M8 X 1.25 X 20, Ss, Sems	1
	25	630114	(30000000- 40000000) Screw, Flt, Phl, M4 X 0.70 X 8, 4.8	3

▽ ASSEMBLY

▲ INCLUDED IN ASSEMBLY

SCRUB HEAD GROUP, 50CM DISK, 3-LUG HUB

355529



SCRUB HEAD GROUP, 50CM DISK, 3-LUG HUB

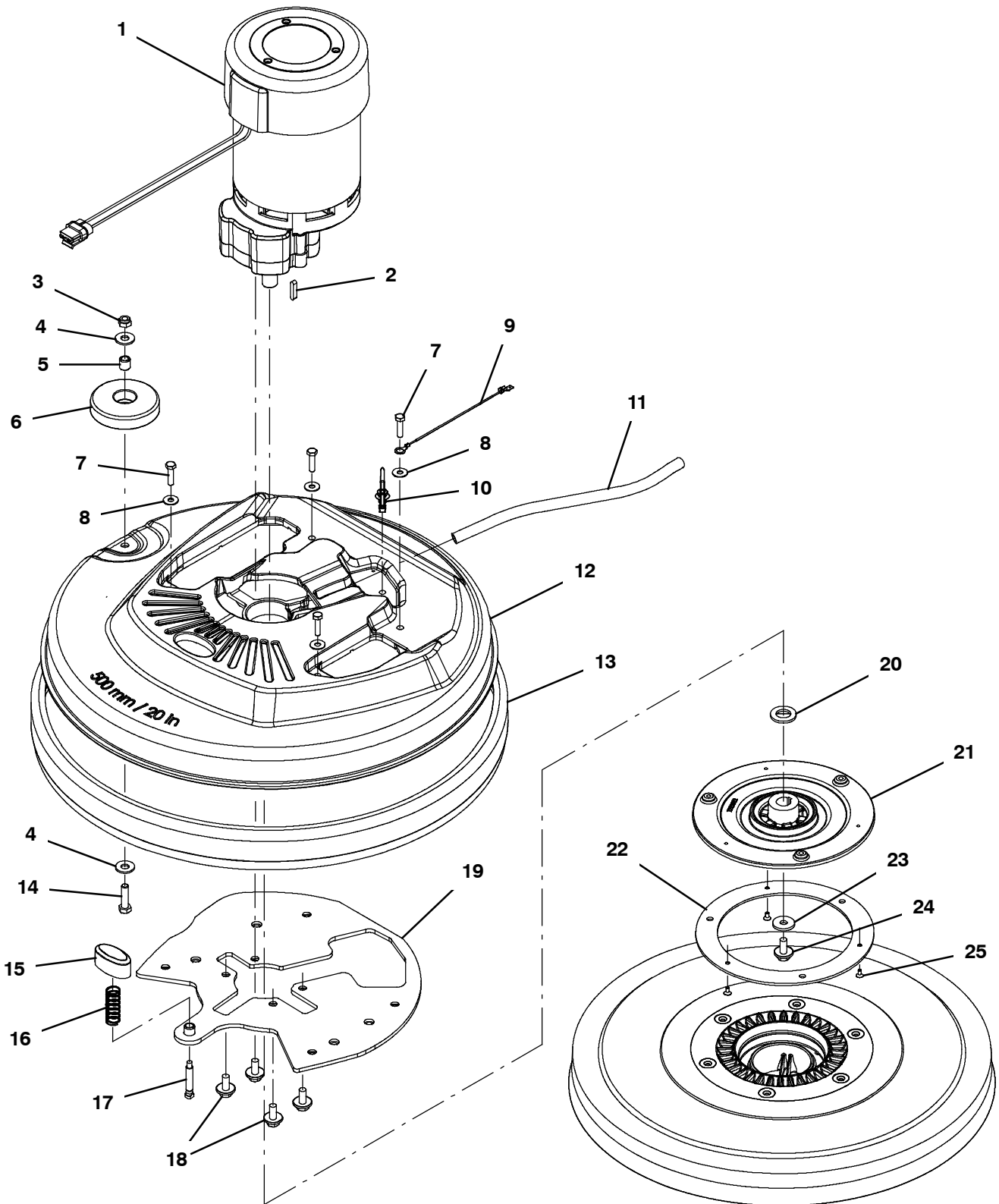
Ref.	Part No.	Serial Number	Description	Qty.
▽	1	1226976	(30062111- 40000000) Motor, Ele, 24vdc 0215rpm 650w, 17mm (T300 & T300e Models)	1
▲		1227273	(30062111- 40000000) Vr, Brush Kit, Motor, Ele (4pc)	1
▲	2	1014328	(30000000- 40000000) Key, Sq, 05mm X 05mm, 25mm	1
▽	1	1210703	(30000000- 30062110) Motor, Ele, 24vdc 0200rpm 1.00hp, 17mm (T300 & T300e Models) (Replaced By 9015159)	1
▲		1045790	(30000000- 30062110) Brush Kit, Replmt,Carbon 24vdc[1pk=1set](4Pc) (For Sanrong Motor - Frame #56S)	1
▲	2	1014328	(30000000- 40000000) Key, Sq, 05mm X 05mm, 25mm	1
▽	1	1228117	(30066322- 40000000) Motor, Ele, 24vdc 150rpm 0.68hp, 17mm (T300e Model Only)	1
▲		1045790	(30000000- 40000000) Vr, Brush Kit, Motor, Ele (4pc)	1
▲	2	1014328	(30000000- 40000000) Key, Sq, 05mm X 05mm, 25mm	1
▽	1	1222495	(30000000- 30066321) Motor, Ele, 24vdc 150rpm 0.68hp, 17mm (T300e Model Only) (Replaced By 9015198)	1
▲		1045790	(30000000- 40000000) Brush Kit, Replmt,Carbon 24vdc[1pk=1set](4Pc) (For Sanrong Motor - Frame #56S)	1
▲	2	1014328	(30000000- 40000000) Key, Sq, 05mm X 05mm, 25mm	1
	3	08713	(30000000- 40000000) Nut, Hex, Lock, M8 X 1.25, NI, Ss	1
	4	01685	(30000000- 40000000) Washer, Flat, 0.38b 0.88d .08, Ss	2
	5	222460	(30000000- 40000000) Sleeve, P/M, 0.32b 0.50d 0.5l [430ss]	1
	6	1010560	(30000000- 40000000) Wheel, Bmpr, 80d X 25w, Non- Marking	1
	7	1016005	(30000000- 40000000) Screw, Hex, M6 X 1.00 X 25, NI, FI, Ss	4
	8	01684	(30000000- 40000000) Washer, Flat, 0.27b 0.69d .05, Ss	4
	9	1074344	(30000000- 40000000) Harness, Ele [Ring With .250m Tail]	1
	10	1210807	(30000000- 40000000) Wire, Tie [W/.25" Fir Tree Clip]	1
	11	9014145	(30000000- 40000000) Hose, Afmkt, Pe, .375id .50od, 05ft	1
	12	1208041	(30000000- 40000000) Housing, Head, 50cm	1
	13	1055025	(30000000- 40000000) Bumper, Head, 50cm, W/ Bristle Skirt, Im	1
	14	1016399	(30000000- 40000000) Screw, Hex, M8 X 1.25 X 30, NI, Ss	1
	15	1211242	(30000000- 30059352) Button, Plunger, Pad	1
	16	1212785	(30000000- 30059352) Spring, Cmpr, .66od, .05wir, 1.75l, Ss	1
	17	1211907	(30000000- 30059352) Pin, Stop, Short	1
	18	1020341	(30000000- 40000000) Screw, Hex, M8 X 1.25 X 20, Ss, Sems	4
	19	1223980	(30062215- 40000000) Plate Wldt, Head, Weighted	1
	20	1022549	(30000000- 40000000) Spacer, Shaft, 17.15b 30.0d 3.0l, Ss	1
	21	1219855	(30059353- 40000000) Hub, Drive, 3lug, Alm- Nyl, 17mm[T2,T300]	1
	22	1017218	(30000000- 40000000) Washer, Flat, 0.32b 1.00d .12, Ss	1
	23	1020341	(30000000- 40000000) Screw, Hex, M8 X 1.25 X 20, Ss, Sems	1
	24	1013188	(30000000- 40000000) Clip, Spring, Drive Hub, Release [T3]	1
	25	1011201	(30000000- 40000000) Plate, Drive Hub, Release Clip [T3]	1
	26	01683	(30000000- 40000000) Washer, Flat, 10, Ss	2
	27	07514	(30000000- 40000000) Washer, Lock, Int, 10, Ss	2
	28	09200	(30000000- 40000000) Screw, Pan, Phl, M5 X 0.80 X 12, Ss	2
	29	1210590	(30000000- 30062214) Plate Wldt, Head, Weighted (Replaced By Kit 9014801)	1
	30	1210676	(30000000- 30059352) Hub, Drive, 3 Lug [Machined] (Replaced By Kit 9014623)	1
	31	140197	(30059353- 40000000) Screw, Trs, Phl, 10- 24 X 0.38, Sems, Ss	2
	32	1221972	(30059353- 40000000) Plug, Hole, Oval, Head, Hsng, Abs [T300]	1

▽ ASSEMBLY

▲ INCLUDED IN ASSEMBLY

SCRUB HEAD GROUP, 50CM DISK, MAGNETIC HUB

355295



SCRUB HEAD GROUP, 50CM DISK, MAGNETIC HUB

Ref.	Part No.	Serial Number	Description	Qty.
▽	1	1226976	(30062111- 40000000) Motor, Ele, 24vdc 0215rpm 650w, 17mm (T300 & T300e Models)	1
▲		1227273	(30062111- 40000000) Vr, Brush Kit, Motor, Ele (4pc)	1
▲	2	1014328	(30000000- 40000000) Key, Sq, 05mm X 05mm, 25mm	1
▽	1	1210703	(30000000- 30062110) Motor, Ele, 24vdc 0200rpm 1.00hp, 17mm (T300 & T300e Models) (Replaced By 9015159)	1
▲		1045790	(30000000- 30062110) Brush Kit, Replmt,Carbon 24vdc[1pk=1set](4Pc) (For Sanrong Motor - Frame #56S)	1
▲	2	1014328	(30000000- 40000000) Key, Sq, 05mm X 05mm, 25mm	1
▽	1	1228117	(30066322- 40000000) Motor, Ele, 24vdc 150rpm 0.68hp, 17mm (T300e Model Only)	1
▲		1045790	(30000000- 40000000) Vr, Brush Kit, Motor, Ele (4pc)	1
▲	2	1014328	(30000000- 40000000) Key, Sq, 05mm X 05mm, 25mm	1
▽	1	1222495	(30000000- 30066321) Motor, Ele, 24vdc 150rpm 0.68hp, 17mm (T300e Model Only) (Replaced By 9015198)	1
▲		1045790	(30000000- 40000000) Brush Kit, Replmt,Carbon 24vdc[1pk=1set](4Pc) (For Sanrong Motor - Frame #56S)	1
▲	2	1014328	(30000000- 40000000) Key, Sq, 05mm X 05mm, 25mm	1
	3	08713	(30000000- 40000000) Nut, Hex, Lock, M8 X 1.25, NI, Ss	1
	4	01685	(30000000- 40000000) Washer, Flat, 0.38b 0.88d .08, Ss	2
	5	222460	(30000000- 40000000) Sleeve, P/M, 0.32b 0.50d 0.5l [430ss]	1
	6	1010560	(30000000- 40000000) Wheel, Bmpr, 80d X 25w, Non- Marking	1
	7	1016005	(30000000- 40000000) Screw, Hex, M6 X 1.00 X 25, NI, FI, Ss	4
	8	01684	(30000000- 40000000) Washer, Flat, 0.27b 0.69d .05, Ss	4
	9	1074344	(30000000- 40000000) Harness, Ele [Ring With .250m Tail]	1
	10	1210807	(30000000- 40000000) Wire, Tie [W/.25" Fir Tree Clip]	1
	11	9014145	(30000000- 40000000) Hose, Afmkt, Pe, .375id .50od, 05ft	1
	12	1208041	(30000000- 40000000) Housing, Head, 50cm	1
	13	1055025	(30000000- 40000000) Bumper, Head, 50cm, W/ Bristle Skirt, Im	1
	14	1016399	(30000000- 40000000) Screw, Hex, M8 X 1.25 X 30, NI, Ss	1
	15	1211242	(30000000- 40000000) Button, Plunger, Pad	1
	16	1212785	(30000000- 40000000) Spring, Cmpr, .66od, .05wir, 1.75l, Ss	1
	17	1211256	(30000000- 40000000) Pin, Stop, Long	1
	18	1020341	(30000000- 40000000) Screw, Hex, M8 X 1.25 X 20, Ss, Sems	4
	19	1223980	(30062215- 20000000) Plate Wldt, Head, Weighted	1
	19	1210590	(30000000- 30062214) Plate Wldt, Head, Weighted (Replaced By 9014801)	1
	20	1022549	(30000000- 40000000) Spacer, Shaft, 17.15b 30.0d 3.0l, Ss	1
	21	1212312	(30000000- 40000000) Hub, Drive, Magnetic [Machined]	1
	22	1205043	(30000000- 40000000) Ring, Hub, Magnetic	1
	23	1017218	(30000000- 40000000) Washer, Flat, 0.32b 1.00d .12, Ss	1
	24	1020341	(30000000- 40000000) Screw, Hex, M8 X 1.25 X 20, Ss, Sems	1
	25	630114	(30000000- 40000000) Screw, Flt, Phl, M4 X 0.70 X 8, 4.8	3

▽ ASSEMBLY

▲ INCLUDED IN ASSEMBLY

SCRUB HEAD GROUP, 60CM DUAL DISK, 3- LUG HUB

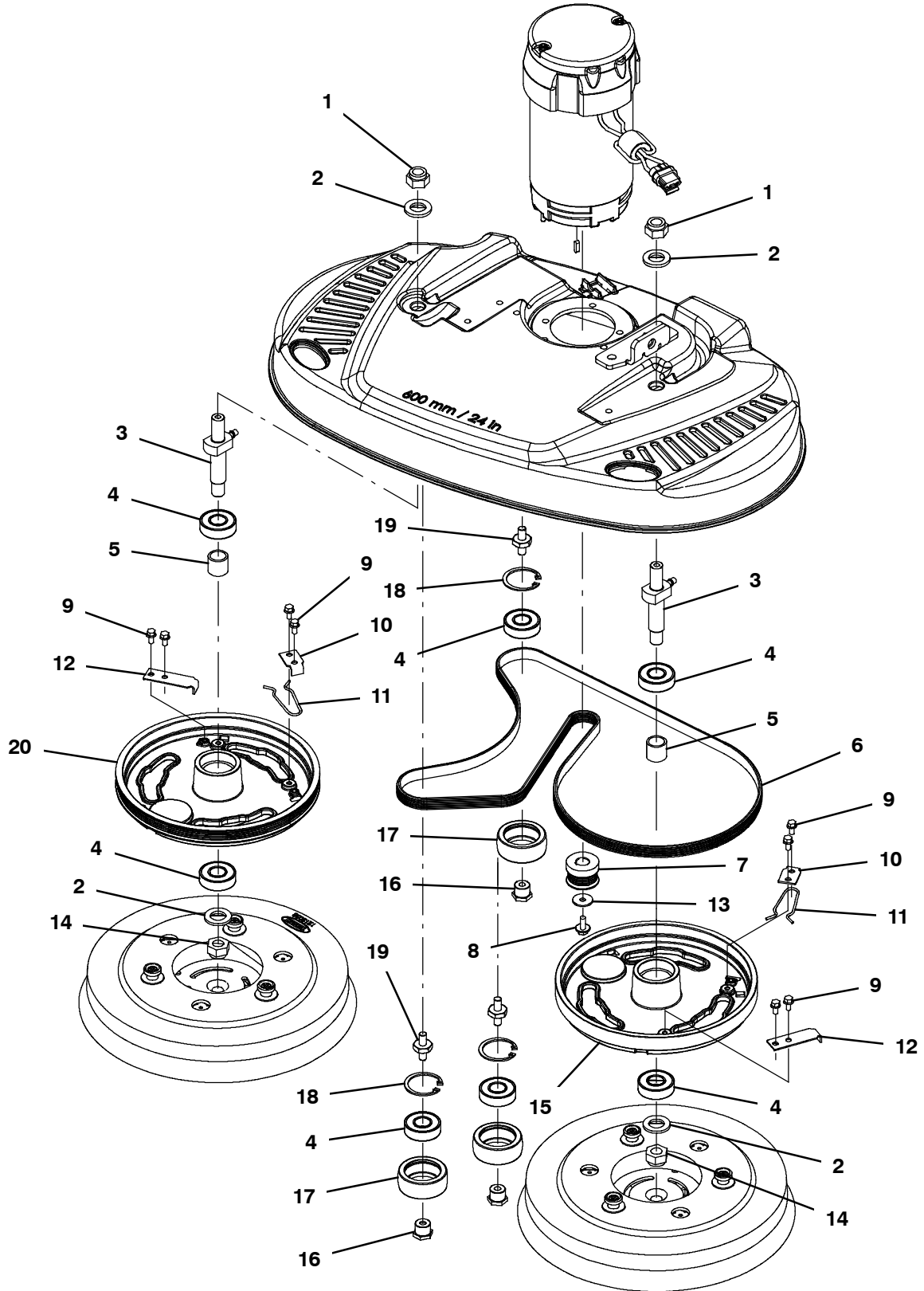
Ref.	Part No.	Serial Number	Description	Qty.
▽	1	1227280	(30066322- 40000000) Motor, 24vdc, 2000rpm, 7/8hp	1
▲		1059370	(30000000- 40000000) Brush, Motor, Replmt [Bag Of 4]	1
▲	2	1217769	(30000000- 40000000) Key, Sq, 04mm X 04mm, 15mml	1
▽	1	1210212	(30000000- 30066321) Motor, 24vdc, 2000rpm, 7/8hp, Us (Replaced By 9015160)	1
▲		1059370	(30000000- 40000000) Brush, Motor, Replmt [Bag Of 4]	1
▲	2	1217769	(30000000- 40000000) Key, Sq, 04mm X 04mm, 15mml	1
	3	09011	(30000000- 40000000) Screw, Hex, M8 X 1.25 X 30, Ss	1
	4	01685	(30000000- 40000000) Washer, Flat, 0.38b 0.88d .08, Ss	1
	5	222460	(30000000- 40000000) Sleeve, P/M, 0.32b 0.50d 0.5l [430ss]	1
	6	1010560	(30000000- 40000000) Wheel, Bmpr, 80d X 25w, Non- Marking	1
	7	1020341	(30000000- 40000000) Screw, Hex, M8 X 1.25 X 20, Ss, Sems	2
	8	1211506	(30000000- 40000000) Bracket, Rlr, Wall, Scb Head	1
	9	08713	(30000000- 40000000) Nut, Hex, Lock, M8 X 1.25, Ni, Ss	1
	10	1221972	(30000000- 40000000) Plug, Hole, Oval, Head, Hsng, Abs [T300]	2
	11	1210807	(30000000- 40000000) Wire, Tie [W/.25" Fir Tree Clip]	2
	12	130773	(30000000- 40000000) Tie, Cable, Nyl, 11.0l, .14w, 3.0 Max. D	2
	13	1212807	(30000000- 40000000) Fitting, Plstc, Str, Qm08/Bm08	1
	14	607776	(30000000- 40000000) Clamp, Hose, Wir, .73 - .77, Silver	1
	15	1216084	(30000000- 40000000) Manifold, Distribution, Water, 60dd [Vw]	1
	16	1217752	(30000000- 40000000) Bracket, Belt Guide	1
	17	1034731	(30000000- 40000000) Screw, Hex, M6 X 1.00 X 16, Sems, Ss	10
	18	1211027	(30000000- 40000000) Housing, Head, 60cm [Machined]	1
	19	1216346	(30000000- 40000000) Bracket Wldt, Guard, Splash, 60cm	1
	20	1072656	(30000000- 40000000) Bumper, Head, 60cm, Bristle Skirt	1

▽ ASSEMBLY

▲ INCLUDED IN ASSEMBLY

SCRUB HEAD GROUP, 60CM DUAL DISK, 3-LUG HUB - CONT'D

355335

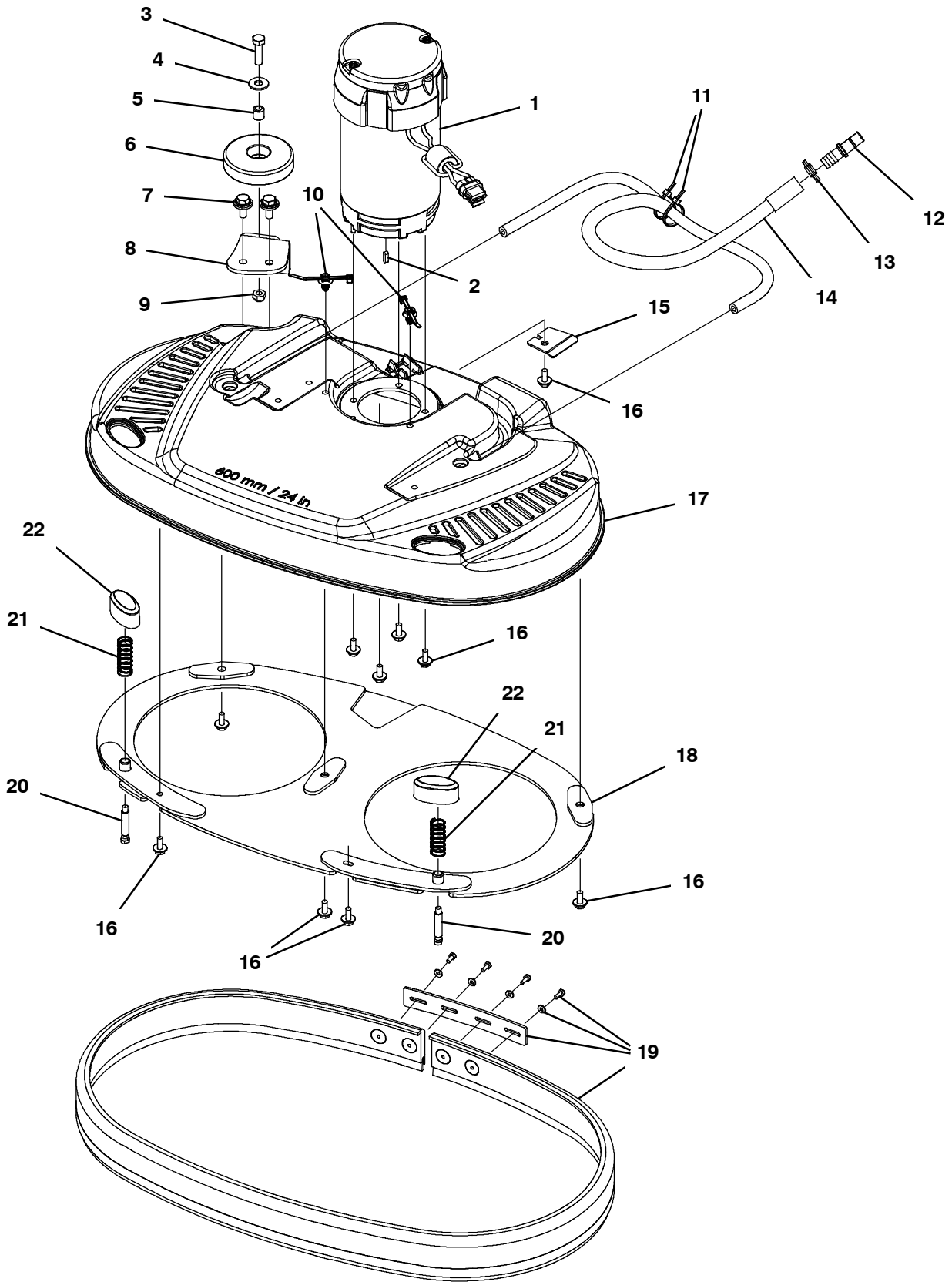


SCRUB HEAD GROUP, 60CM DUAL DISK, 3-LUG HUB - CONT'D

Ref.	Part No.	Serial Number	Description	Qty.
1	41517	(30000000- 40000000)	Nut, Hex, Lock, M14 X 2.00, NI	2
2	1022549	(30000000- 40000000)	Spacer, Shaft, 17.15b 30.0d 3.0l, Ss	4
3	1214206	(30000000- 40000000)	Shaft Wldt, Mtg, Pulley	2
4	1211187	(30000000- 40000000)	Bearing, Ball, 0.67b 1.57d 0.47w [6203]	7
5	1011041	(30000000- 40000000)	Tube, 0.69id 0.87od 00.8l, Stl, Pl	2
6	1055305	(30000000- 40000000)	Belt, Drive, 6pj, Ej139 [T3]	1
7	1213927	(30000000- 40000000)	Sheave, 06grv, 1.25pd 0.54b, Ss [Keyed]	1
8	1034731	(30000000- 40000000)	Screw, Hex, M6 X 1.00 X 16, Sems, Ss	1
9	223198	(30000000- 40000000)	Screw, Hex, M5 X 0.80 X 10, Fmg	8
10	1011201	(30000000- 40000000)	Plate, Drive Hub, Release Clip [T3]	2
11	1013188	(30000000- 40000000)	Clip, Spring, Drive Hub, Release [T3]	2
12	1013592	(30000000- 40000000)	Plate, Drive Hub, Release Stop [T3 Dd]	2
13	019680127	(30000000- 40000000)	Washer, Flat, 6.2mm Id X 22.0mm Od X 1.9	1
14	41517	(30000000- 40000000)	Nut, Hex, Lock, M14 X 2.00, NI	2
15	1059205	(30000000- 40000000)	Hub, Drive, 3lug, Alm, 2disk, Flt	1
16	1011008	(30000000- 40000000)	Spacer, Brg, Idler	3
17	1058514	(30000000- 40000000)	Pulley, Idler, 55d X 21w[60cm Dual Disk]	3
18	1013884	(30000000- 40000000)	Ring, Retaining, Int, 40mm, Ss	3
19	1211624	(30000000- 40000000)	Stud, M8 X 1.25, Dbl End W/Hex, Ss	3
20	1059206	(30000000- 40000000)	Hub, Drive, 3lug, Alm, 2disk, 6grv	1

SCRUB HEAD GROUP, 60CM DUAL DISK, MAGNETIC HUB

355296



SCRUB HEAD GROUP, 60CM DUAL DISK, MAGNETIC HUB

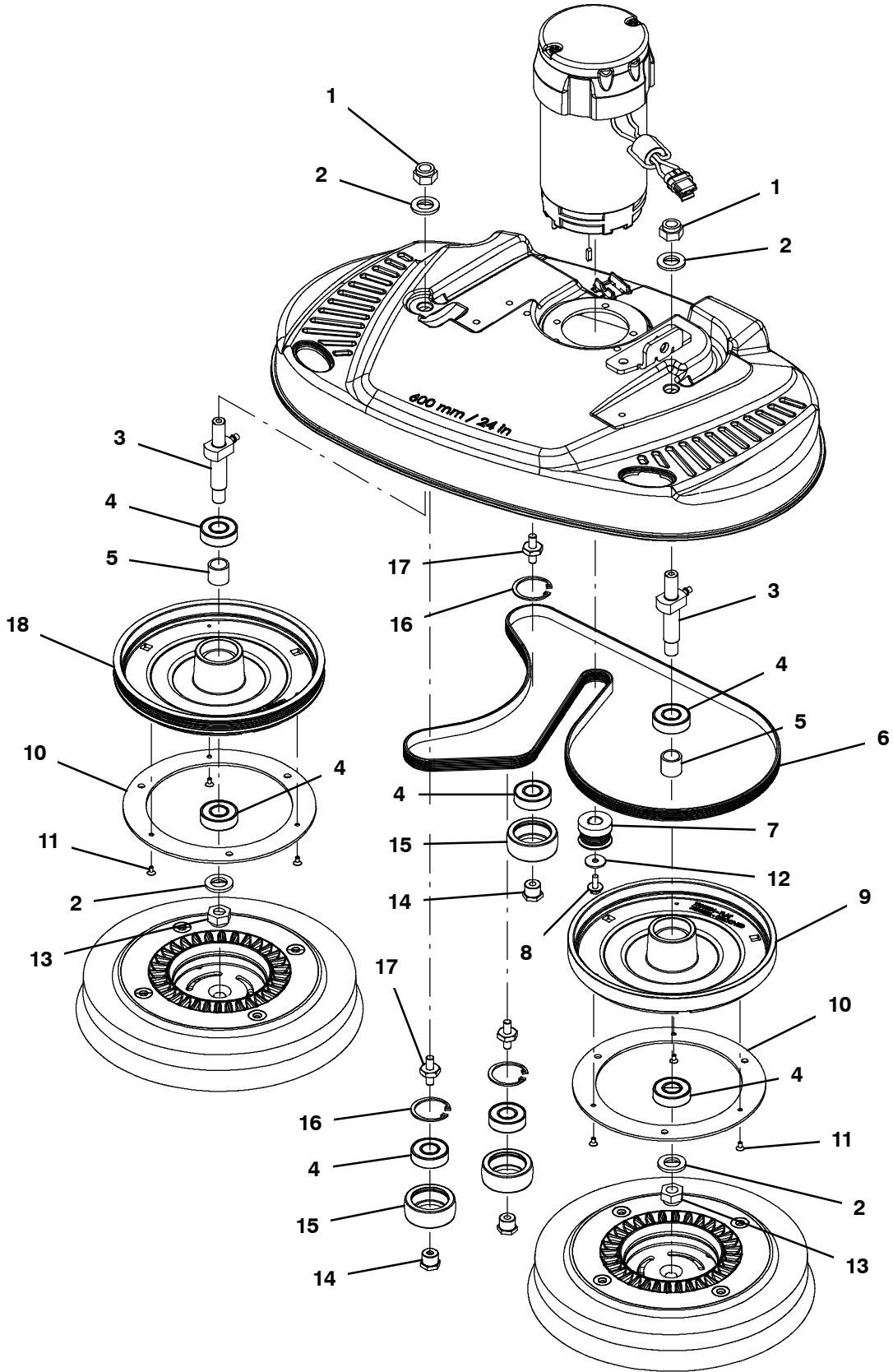
Ref.	Part No.	Serial Number	Description	Qty.
▽	1	1227280	(30066322- 40000000) Motor, 24vdc, 2000rpm, 7/8hp	1
▲		1059370	(30000000- 40000000) Brush, Motor, Replmt [Bag Of 4]	1
▲	2	1217769	(30000000- 40000000) Key, Sq, 04mm X 04mm, 15mml	1
▽	1	1210212	(30000000- 30066321) Motor, 24vdc, 2000rpm, 7/8hp, Us (Replaced By 9015160)	1
▲		1059370	(30000000- 40000000) Brush, Motor, Replmt [Bag Of 4]	1
▲	2	1217769	(30000000- 40000000) Key, Sq, 04mm X 04mm, 15mml	1
	3	09011	(30000000- 40000000) Screw, Hex, M8 X 1.25 X 30, Ss	1
	4	01685	(30000000- 40000000) Washer, Flat, 0.38b 0.88d .08, Ss	1
	5	222460	(30000000- 40000000) Sleeve, P/M, 0.32b 0.50d 0.5l [430ss]	1
	6	1010560	(30000000- 40000000) Wheel, Bmpr, 80d X 25w, Non- Marking	1
	7	1020341	(30000000- 40000000) Screw, Hex, M8 X 1.25 X 20, Ss, Sems	2
	8	1211506	(30000000- 40000000) Bracket, Rlr, Wall, Scb Head	1
	9	08713	(30000000- 40000000) Nut, Hex, Lock, M8 X 1.25, NI, Ss	1
	10	1210807	(30000000- 40000000) Wire, Tie [W/.25" Fir Tree Clip]	2
	11	130773	(30000000- 40000000) Tie, Cable, Nyl, 11.0l, .14w, 3.0 Max. D	2
	12	1212807	(30000000- 40000000) Fitting, Plstc, Str, Qm08/Bm08	1
	13	607776	(30000000- 40000000) Clamp, Hose, Wir, .73 - .77, Silver	1
	14	1216084	(30000000- 40000000) Manifold, Distribution, Water, 60dd [Vw]	1
	15	1217752	(30000000- 40000000) Bracket, Belt Guide	1
	16	1034731	(30000000- 40000000) Screw, Hex, M6 X 1.00 X 16, Sems, Ss	10
	17	1211027	(30000000- 40000000) Housing, Head, 60cm [Machined]	1
	18	1216346	(30000000- 40000000) Bracket Wldt, Guard, Splash, 60cm	1
	19	1072656	(30000000- 40000000) Bumper, Head, 60cm, Bristle Skirt	1
	20	1211907	(30000000- 40000000) Pin, Stop, Short	2
	21	1212785	(30000000- 40000000) Spring, Cmpr, .66od, .05wir, 1.75l, Ss	2
	22	1211242	(30000000- 40000000) Button, Plunger, Pad	2

▽ ASSEMBLY

▲ INCLUDED IN ASSEMBLY

SCRUB HEAD GROUP, 60CM DUAL DISK, MAGNETIC HUB - CONT'D

355336

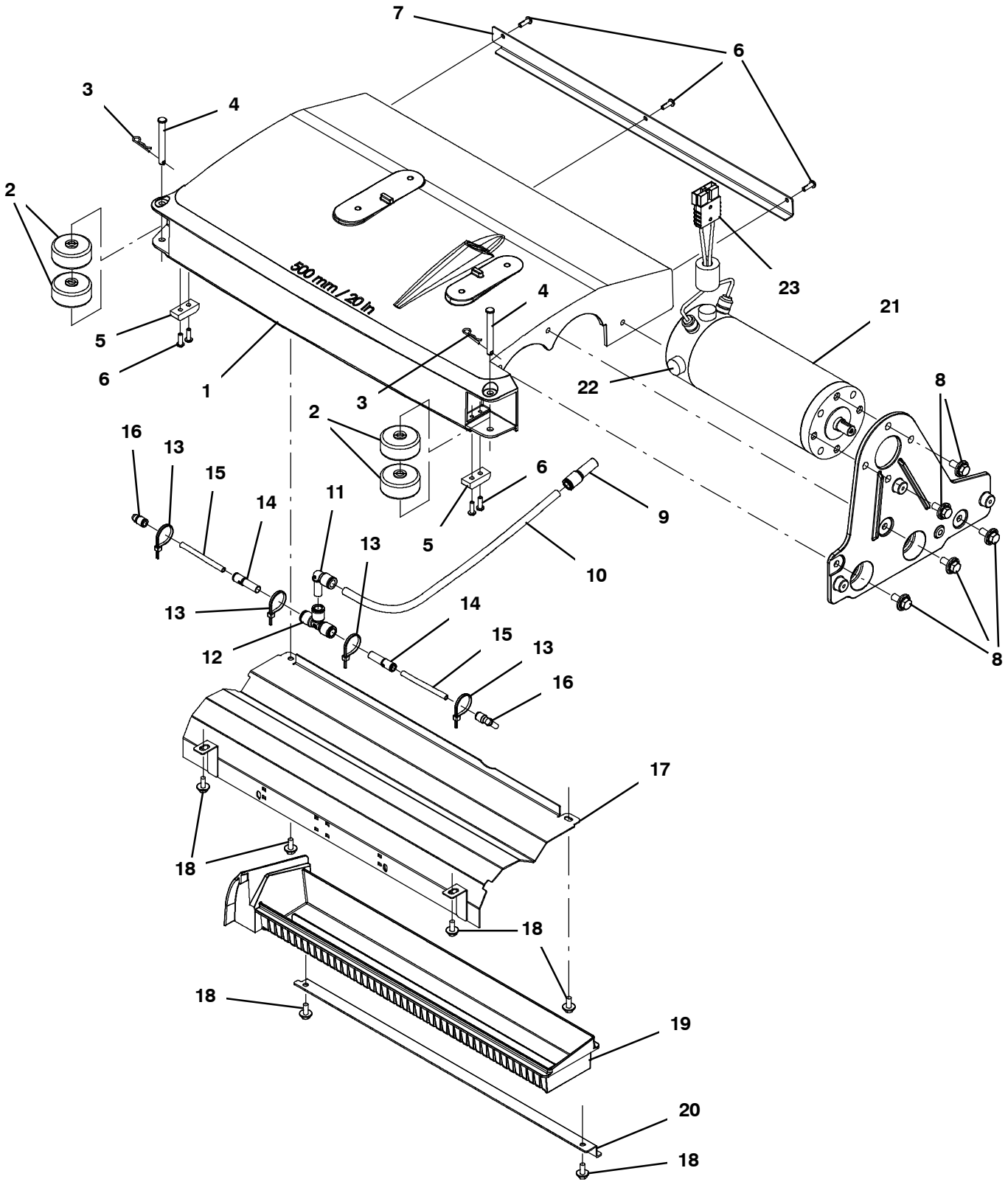


SCRUB HEAD GROUP, 60CM DUAL DISK, MAGNETIC HUB - CONT'D

Ref.	Part No.	Serial Number	Description	Qty.
1	41517	(30000000- 40000000)	Nut, Hex, Lock, M14 X 2.00, NI	2
2	1022549	(30000000- 40000000)	Spacer, Shaft, 17.15b 30.0d 3.0l, Ss	4
3	1214206	(30000000- 40000000)	Shaft Wldt, Mtg, Pulley	2
4	1211187	(30000000- 40000000)	Bearing, Ball, 0.67b 1.57d 0.47w [6203]	7
5	1011041	(30000000- 40000000)	Tube, 0.69id 0.87od 00.8l, Stl, PI	2
6	1055305	(30000000- 40000000)	Belt, Drive, 6pj, Ej139 [T3]	1
7	1213927	(30000000- 40000000)	Sheave, 06grv, 1.25pd 0.54b, Ss [Keyed]	1
8	1034731	(30000000- 40000000)	Screw, Hex, M6 X 1.00 X 16, Sems, Ss	1
9	1210504	(30000000- 40000000)	Hub, Drive, Magnetic, Flat, 60cm Dd	1
10	1205043	(30000000- 40000000)	Ring, Hub, Magnetic	2
11	630114	(30000000- 40000000)	Screw, Flt, Phl, M4 X 0.70 X 8, 4.8	6
12	019680127	(30000000- 40000000)	Washer, Flat, 6.2mm Id X 22.0mm Od X 1.9	1
13	41517	(30000000- 40000000)	Nut, Hex, Lock, M14 X 2.00, NI	2
14	1011008	(30000000- 40000000)	Spacer, Brg, Idler	3
15	1058514	(30000000- 40000000)	Pulley, Idler, 55d X 21w[60cm Dual Disk]	3
16	1013884	(30000000- 40000000)	Ring, Retaining, Int, 40mm, Ss	3
17	1211624	(30000000- 40000000)	Stud, M8 X 1.25, Dbl End W/Hex, Ss	3
18	1210503	(30000000- 40000000)	Hub, Drive, Magnetic, Grooved, 60cm Dd	1

SCRUB HEAD GROUP, 50CM CYLINDRICAL

355297



SCRUB HEAD GROUP, 50CM CYLINDRICAL

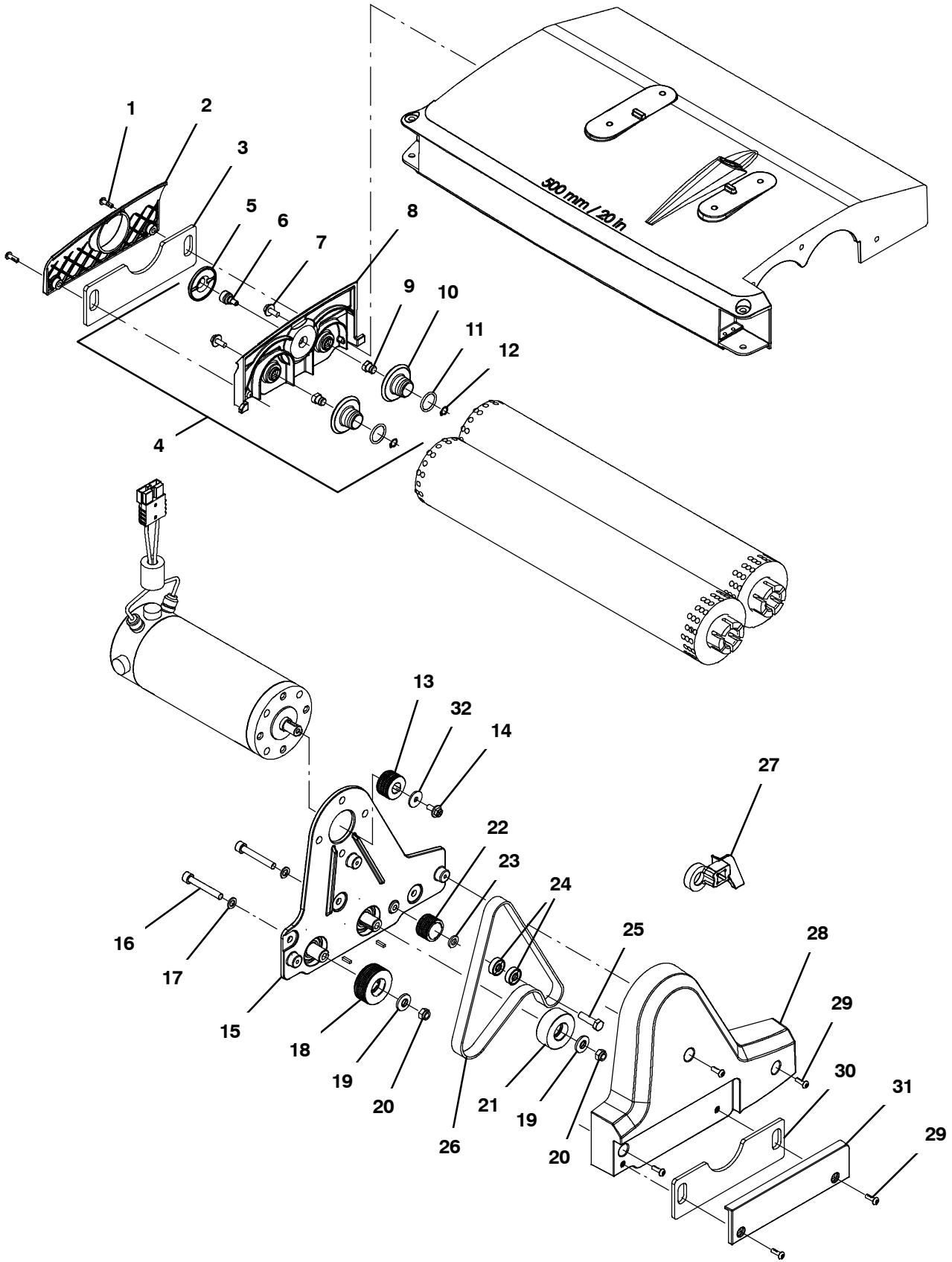
Ref.	Part No.	Serial Number	Description	Qty.	
1	1212265	(30000000- 40000000)	Housing, Brush, Dbl 50cm [Machined]	1	
2	630477	(30000000- 40000000)	Wheel, Pyu, 02.0d 0.38w, Gray	4	
3	1216647	(30000000- 40000000)	Pin, Cotter, Hair, 0.38d .054 Wir	2	
4	391179	(30000000- 40000000)	Pin, Clevis, 0.37d X 2.62l	2	
5	1215675	(30000000- 40000000)	Skid, Brush Housing	2	
6	1205799	(30000000- 40000000)	Screw, Btn, M5 X 0.8 X 16, 8.8, NI, Torx	7	
7	1213708	(30000000- 40000000)	Bracket, Tray, Debris	1	
8	1020341	(30000000- 40000000)	Screw, Hex, M8 X 1.25 X 20, Ss, Sems	7	
9	1215218	(30000000- 40000000)	Fitting, Plstc, Str, Qf06/Qm08	1	
10	1014986	(30000000- 40000000)	Hose, Afrmkt, Pvc, Clr, 0.25id, 02ft	1	
11	1215186	(30000000- 40000000)	Fitting, Plstc, E90, Qf06/Qm06	1	
12	1212573	(30000000- 40000000)	Fitting, Plstc, Tee, Qf06/Qf06/Qf06	1	
13	130773	(30000000- 40000000)	Tie, Cable, Nyl, 11.0l, .14w, 3.0 Max. D	4	
14	1212934	(30000000- 40000000)	Fitting, Plstc, Str, Qf04/Qm06	2	
15	160827	(30000000- 40000000)	Hose, Pvc, Clr, 0.12id 0.25od 010.5l	1	
16	1214339	(30000000- 40000000)	Fitting, Plstc, E90, Qfo4/Qm04	2	
17	1219486	(30000000- 40000000)	Panel Wldt, Brush	1	
18	1034731	(30000000- 40000000)	Screw, Hex, M6 X 1.00 X 16, Sems, Ss	6	
19	1213706	(30000000- 40000000)	Tray, Debris, 500mm [Im]	1	
20	1213707	(30000000- 40000000)	Bracket, Tray, Debris	1	
▽	21	1210202	(30000000- 40000000)	Motor, Ele, 24vdc [Vw Cyl]	1
▲		1217769	(30000000- 40000000)	Key, Sq, 04mm X 04mm, 15mml	1
▲	22	1059370	(30000000- 40000000)	Brush, Motor, Replmt [Bag Of 4]	1
▲	23	49548	(30000000- 40000000)	Connector, Anderson, 050a, Red	1

▽ ASSEMBLY

▲ INCLUDED IN ASSEMBLY

SCRUB HEAD GROUP, 50CM CYLINDRICAL - CONT'D

355298



SCRUB HEAD GROUP, 50CM CYLINDRICAL - CONT'D

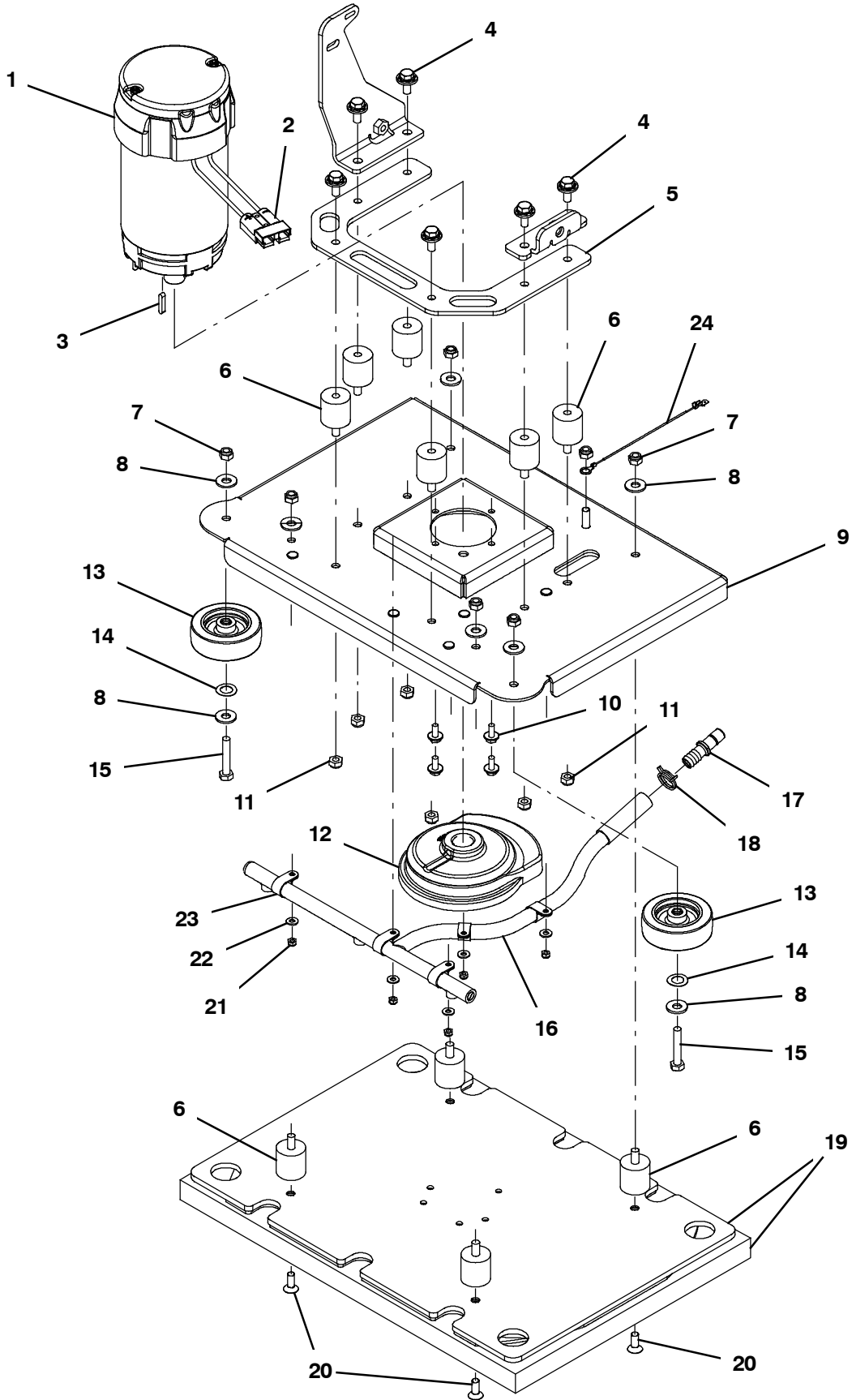
Ref.	Part No.	Serial Number	Description	Qty.	
1	1205799	(30000000- 40000000)	Screw, Btn, M5 X 0.8 X 16, 8.8, NI, Torx	2	
2	1216689	(30000000- 40000000)	Cover, Skirt, Cyl Door	1	
3	1215666	(30000000- 40000000)	Skirt, Side, Cyl, Floating	1	
▽	4	9014168	(30000000- 40000000)	Door Assy, Brush	1
▲	5	1215581	(30000000- 40000000)	Cap, Screw	1
▲	6	1062149	(30000000- 40000000)	Knob, Rnd, 0.58d 0.50l, .25- 20x.50l Stud	1
▲	7	1034731	(30000000- 40000000)	Screw, Hex, M6 X 1.00 X 16, Sems, Ss	2
▲	8	1212250	(30000000- 40000000)	Door, Brush [Machined]	1
▲	9	1030682	(30000000- 40000000)	Shaft, Idler Plug	2
▲	10	1030680	(30000000- 40000000)	Hub, Idler, Brush	2
▲	11	1220596	(30000000- 40000000)	Seal, Org, .139 X .859 Id, 212	2
▲	12	01543	(30000000- 40000000)	Ring, Retaining, Ext, 0.39d, Basic	2
	13	1210116	(30000000- 40000000)	Sheave, Motor, 07grv 1.3pd 0.50b [Pj]	1
	14	1034731	(30000000- 40000000)	Screw, Hex, M6 X 1.00 X 16, Sems, Ss	1
▽	15	9014167	(30000000- 40000000)	Brkt Assy, Motor, Sgl Mount (Also includes Hubs, Bearings and Seals - Not Available Separately)	1
▲	16	1057476	(30000000- 40000000)	Screw, Soc, M8 X 1.25 X 55, Ss	2
▲	17	1057482	(30000000- 40000000)	Washer, Flat, 0.33b 0.57d 0.06, Ss	2
▲	18	1210204	(30000000- 40000000)	Sheave, Drive, Grvd 07grv, 2.0pd 0.67b [1
▲	19	41186	(30000000- 40000000)	Washer, Flat, Belleville, .31	2
▲	20	08713	(30000000- 40000000)	Nut, Hex, Lock, M8 X 1.25, NI, Ss	2
▲	21	1210232	(30000000- 40000000)	Sheave, Drive, Smooth 2.0pd 0.67b	1
▲	22	1210233	(30000000- 40000000)	Sheave, Idler, 07grv 1.2pd 0.87b [Pj]	1
▲	23	1216289	(30000000- 40000000)	Spacer, Pulley, 2cyl, Pm [Vw]	1
▲	24	1027651	(30000000- 40000000)	Bearing, Ball, 8mmb X 22mmd X 7mmw	2
▲	25	1016399	(30000000- 40000000)	Screw, Hex, M8 X 1.25 X 30, NI, Ss	1
▲▽	26	9014166	(30000000- 40000000)	Kit, Belt, Motor (Includes Installation Tool)	1
▲▲	27	1213132	(30000000- 40000000)	Tool, Installation, Belt	1
	28	1209594	(30000000- 40000000)	Cover, Belt	1
	29	1205799	(30000000- 40000000)	Screw, Btn, M5 X 0.8 X 16, 8.8, NI, Torx	5
	30	1215666	(30000000- 40000000)	Skirt, Side, Cyl, Floating	1
	31	1216728	(30000000- 40000000)	Cover, Skirt, Cyl Head	1
	32	019680127	(30000000- 40000000)	Washer, Flat, 6.2mm Id X 22.0mm Od X 1.9	1

▽ ASSEMBLY

▲ INCLUDED IN ASSEMBLY

SCRUB HEAD GROUP, 50CM ORBITAL

355293



SCRUB HEAD GROUP, 50CM ORBITAL

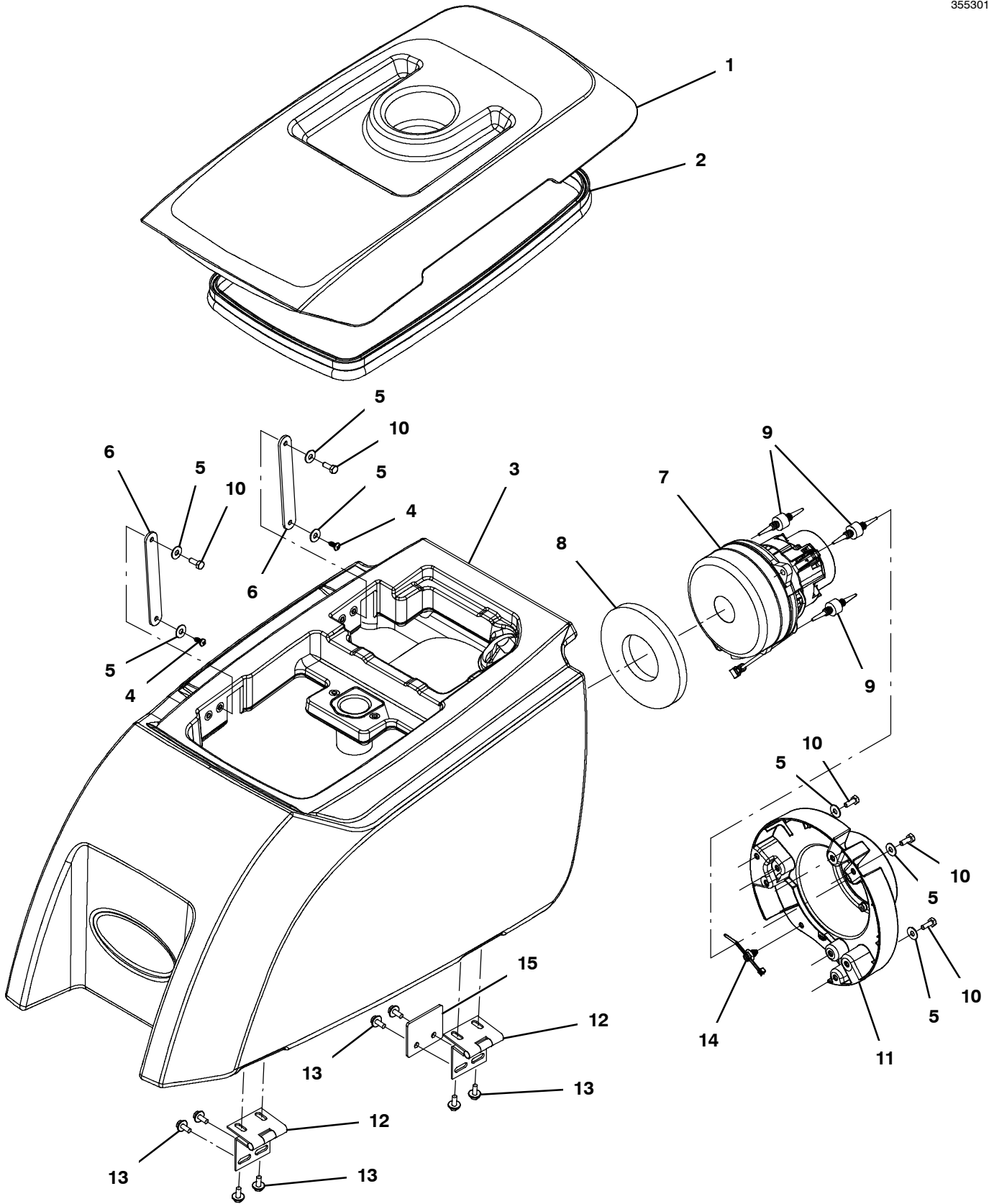
Ref.	Part No.	Serial Number	Description	Qty.
▽	1	1212669	(30000000- 40000000) Motor, Ele, 24vdc, 2200rpm, .6hp, 22mm	1
▲		1059370	(30000000- 40000000) Brush, Motor, Replmt [Bag Of 4]	1
▲	2	49548	(30000000- 40000000) Connector, Anderson, 050a, Red	1
▲	3	1014328	(30000000- 40000000) Key, Sq, 05mm X 05mm, 25mml	1
	4	1020341	(30000000- 40000000) Screw, Hex, M8 X 1.25 X 20, Ss, Sems	6
	5	1209745	(30000000- 40000000) Plate, Mtg, Head [50cm Orb]	1
	6	1212543	(30000000- 40000000) Isolator, Neoprene, 1.25" X 1.25", M8	10
	7	08713	(30000000- 40000000) Nut, Hex, Lock, M8 X 1.25, NI, Ss	6
	8	01685	(30000000- 40000000) Washer, Flat, 0.38b 0.88d .08, Ss	8
	9	1212527	(30000000- 40000000) Deck Wldt, Scrbr [Volga Wet]	1
	10	1034731	(30000000- 40000000) Screw, Hex, M6 X 1.00 X 16, Sems, Ss	4
	11	08713	(30000000- 40000000) Nut, Hex, Lock, M8 X 1.25, NI, Ss	6
	12	9014175	(30000000- 40000000) Kit, Eccentric Assy, [T300] (See Breakdowns)	1
	13	1014918	(30000000- 40000000) Wheel, 03.0d 0.88w 0.31b, W/ Bshg, Rbr	2
	14	1210221	(30000000- 40000000) Washer, Wave, .515b, .875d, .013, Ss	2
	15	222505	(30000000- 40000000) Screw, Hex, M8 X 1.25 X 45, Ss	2
	16	1212468	(30000000- 40000000) Manifold, Distribution, Water, Orb [Vw]	1
	17	1212807	(30000000- 40000000) Fitting, Plstc, Str, Qm08/Bm08	1
	18	607776	(30000000- 40000000) Clamp, Hose, Wir, .73 - .77, Silver	1
	19	9014189	(30000000- 40000000) Kit, Afrmkt, Pad Driver [T300]	1
	20	1218926	(30000000- 40000000) Screw, Flt, Soc, M8 X 1.25 X 14, Ss	4
	21	09739	(30000000- 40000000) Nut, Hex, Lock, M5 X 0.80, NI, Ss	5
	22	01683	(30000000- 40000000) Washer, Flat, 10, Ss	5
	23	140916	(30000000- 40000000) Clamp, Cable, Nyl, 0.62d, Nat	5
	24	1074344	(30000000- 40000000) Harness, Ele [Ring With .250m Tail]	1

▽ ASSEMBLY

▲ INCLUDED IN ASSEMBLY

RECOVERY TANK GROUP, T300e MODEL

355301



RECOVERY TANK GROUP, T300e MODEL

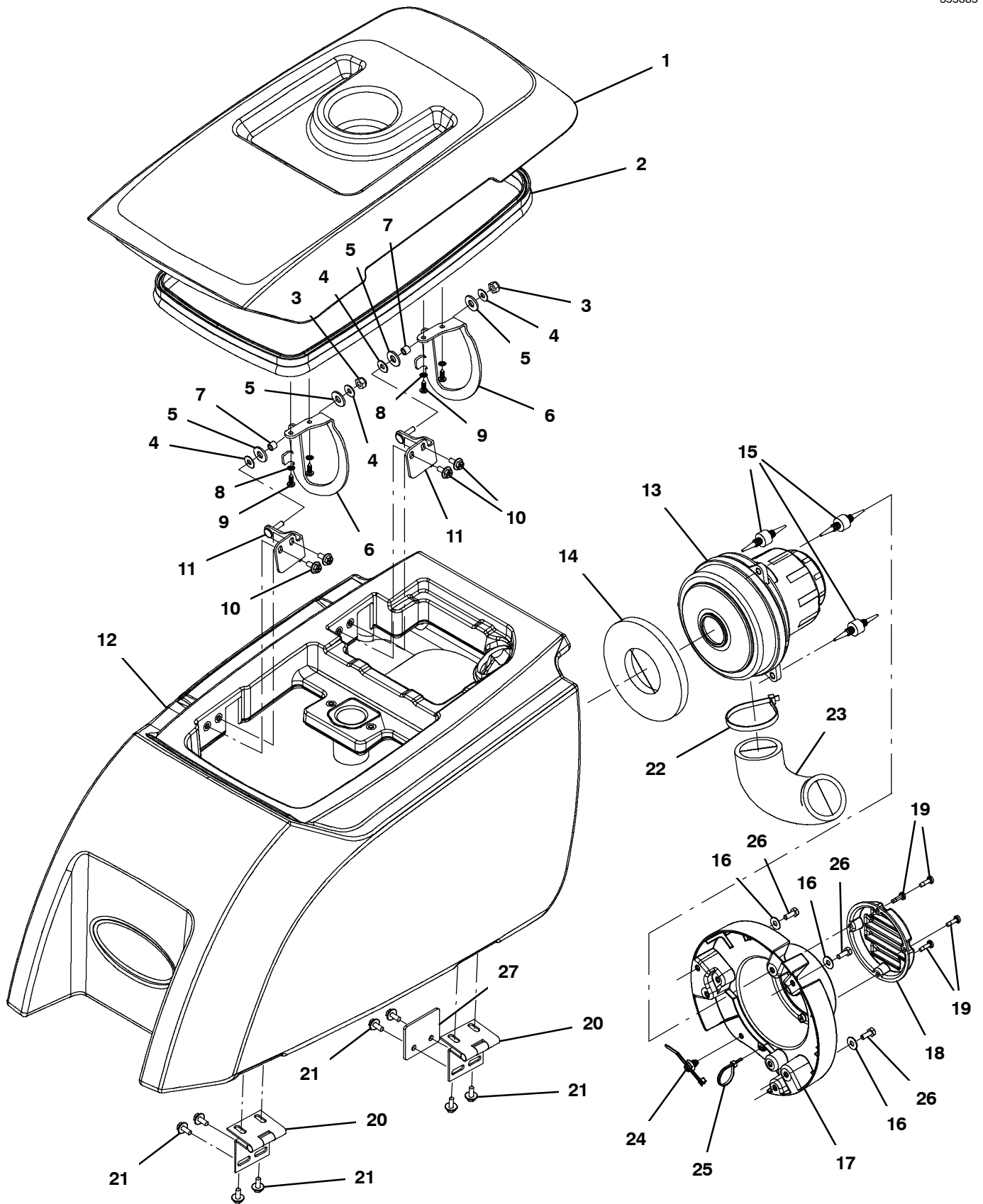
Ref.	Part No.	Serial Number	Description	Qty.
▽	1	9014674	(30000000- 40000000) Kit, Cover, Recvy, Ci [Exp]	1
▲	2	1210472	(30000000- 40000000) Seal, Afrmkt, Bulb, 0.50d .13grip, 05ft	1
	3	9014151	(30000000- 40000000) Kit, Tank, Recvy, W/Labels [T300e]	1
	4	1018155	(30000000- 40000000) Screw, Pan, Phl, M5 X 0.80 X 16, Tcut, Ss	2
	5	01684	(30000000- 40000000) Washer, Flat, 0.27b 0.69d .05, Ss	7
	6	1212553	(30000000- 40000000) Strap, Retaining, Cover, 125.0l	2
▽	7	1219312	(30000000- 40000000) Fan, Vacuum, 5.7d, 024vdc, 2 Stage	1
▲		372883	(30000000- 40000000) Vr, Brush Kit, Motor, Ele (1 Pkg = 2 Pcs)	1
	8	100038	(30000000- 40000000) Gasket, .50, 02.63id 05.75od, Adh [Epdm]	1
	9	1062016	(30000000- 40000000) Isolator, Vib, .75d	3
	10	11329	(30000000- 40000000) Screw, Hex, M6 X 1.00 X 16, NI, Ss	5
	11	1207368	(30000000- 40000000) Mount, Vacfan, 5.7/6.6	1
	12	1209466	(30000000- 40000000) Hinge, 6mm Pin 2.5 73.5mmw 60.0mml, Bent	2
	13	1034731	(30000000- 40000000) Screw, Hex, M6 X 1.00 X 16, Sems, Ss	8
	14	1210807	(30000000- 40000000) Wire, Tie [W/.25" Fir Tree Clip]	1
	15	1220553	(30000000- 40000000) Plate, Hinge, Doublor	1

▽ ASSEMBLY

▲ INCLUDED IN ASSEMBLY

RECOVERY TANK GROUP, T300 MODEL

355385



RECOVERY TANK GROUP, T300 MODEL

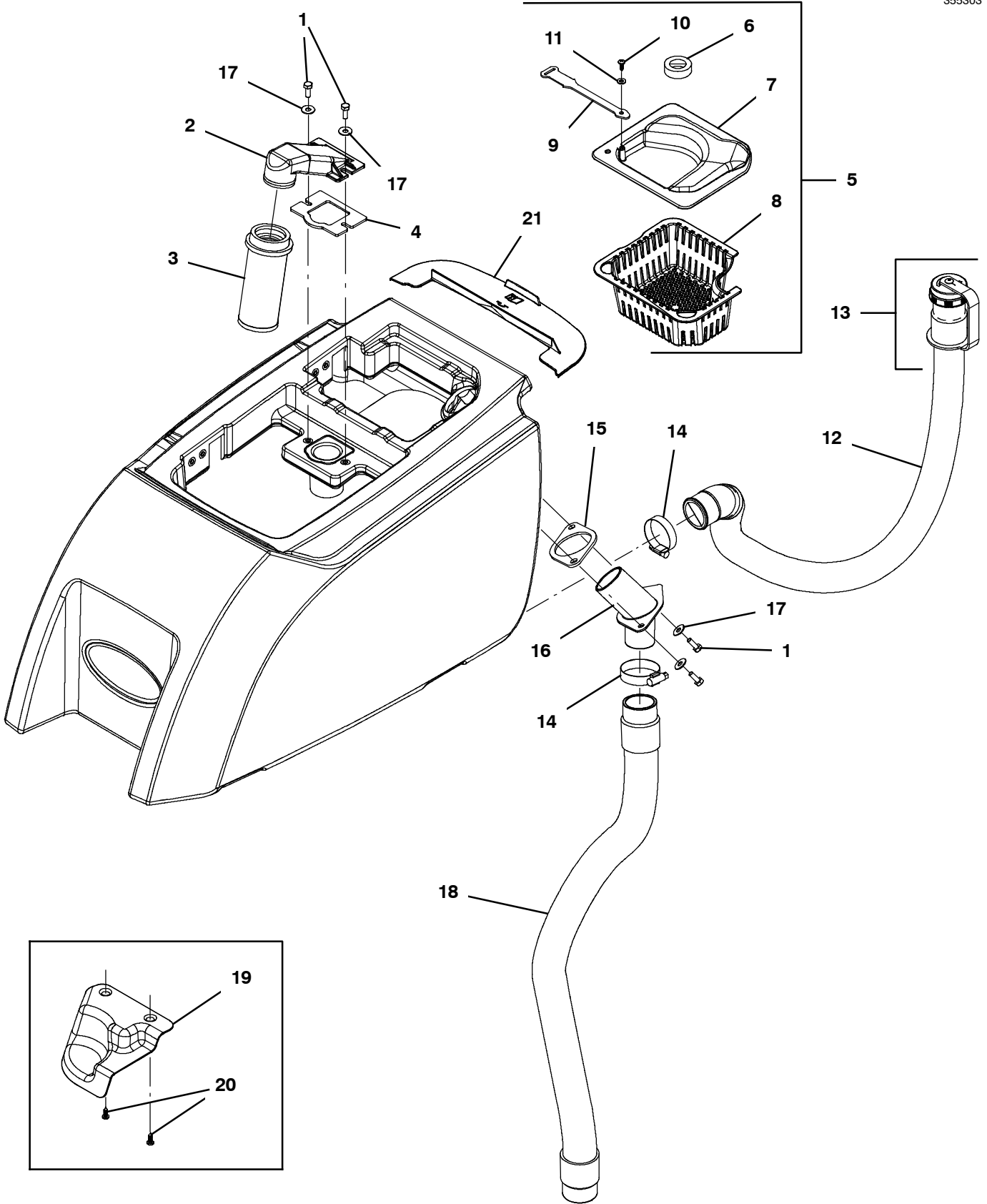
Ref.	Part No.	Serial Number	Description	Qty.
▽	1	9014674	(30000000- 40000000) Kit, Cover, Recvy, Ci [Exp]	1
▲	2	1210472	(30000000- 40000000) Seal, Afmkt, Bulb, 0.50d .13grip, 05ft	1
	3	08712	(30000000- 40000000) Nut, Hex, Lock, M6 X 1.00, NI, Ss	2
	4	01684	(30000000- 40000000) Washer, Flat, 0.27b 0.69d .05, Ss	4
	5	01685	(30000000- 40000000) Washer, Flat, 0.38b 0.88d .08, Ss	4
	6	1219440	(30000000- 40000000) Hinge, Goose Neck	2
	7	140154	(30000000- 40000000) Sleeve, P/M, 0.25b 0.38d 0.3l, PI	2
	8	07514	(30000000- 40000000) Washer, Lock, Int, 10, Ss	4
	9	1018155	(30000000- 40000000) Screw, Pan, Phl, M5 X 0.80 X 16, Tcut,Ss	4
	10	1034731	(30000000- 40000000) Screw, Hex, M6 X 1.00 X 16, Sems, Ss	4
	11	1219473	(30000000- 40000000) Hinge, Mount, Wldt	2
	12	9014150	(30000000- 40000000) Kit, Tank, Recvy, W/Labels [T300]	1
▽	13	1202880	(30000000- 40000000) Fan, Vacuum, 6.6d, 024vdc, 2 Stage	1
▲		1206774	(30000000- 40000000) Vr, Brush Kit, Motor, Fan (1 Pkg = 2 Pcs)	1
	14	100038	(30000000- 40000000) Gasket, .50, 02.63id 05.75od, Adh [Epdm]	1
	15	1062016	(30000000- 40000000) Isolator, Vib, .75d	3
	16	01684	(30000000- 40000000) Washer, Flat, 0.27b 0.69d .05, Ss	3
	17	1207368	(30000000- 40000000) Mount, Vacfan, 5.7/6.6	1
	18	1209342	(30000000- 40000000) Cover, Inlet, Vac, Vented (Sound Kit Option)	1
	19	1043573	(30000000- 40000000) Screw, #10- 14 X 0.675, Spl[Shcs,Selftap] (Sound Kit Option)	4
	20	1209466	(30000000- 40000000) Hinge, 6mm Pin 2.5 73.5mmw 60.0mml, Bent	2
	21	1034731	(30000000- 40000000) Screw, Hex, M6 X 1.00 X 16, Sems, Ss	8
	22	130773	(30000000- 40000000) Tie, Cable, Nyl, 11.0l, .14w, 3.0 Max. D	2
	23	1068577	(30000000- 40000000) Muffler, Exhaust, Vacfan, 150mml [T2/T3]	1
	24	1210807	(30000000- 40000000) Wire, Tie [W/.25" Fir Tree Clip]	1
	25	130773	(30000000- 40000000) Tie, Cable, Nyl, 11.0l, .14w, 3.0 Max. D	1
	26	11329	(30000000- 40000000) Screw, Hex, M6 X 1.00 X 16, NI, Ss	3
	27	1220553	(30000000- 40000000) Plate, Hinge, Doublor	1

▽ ASSEMBLY

▲ INCLUDED IN ASSEMBLY

RECOVERY TANK FILTER AND HOSE GROUP, SCREW CAP

355303



RECOVERY TANK FILTER AND HOSE GROUP, SCREW CAP

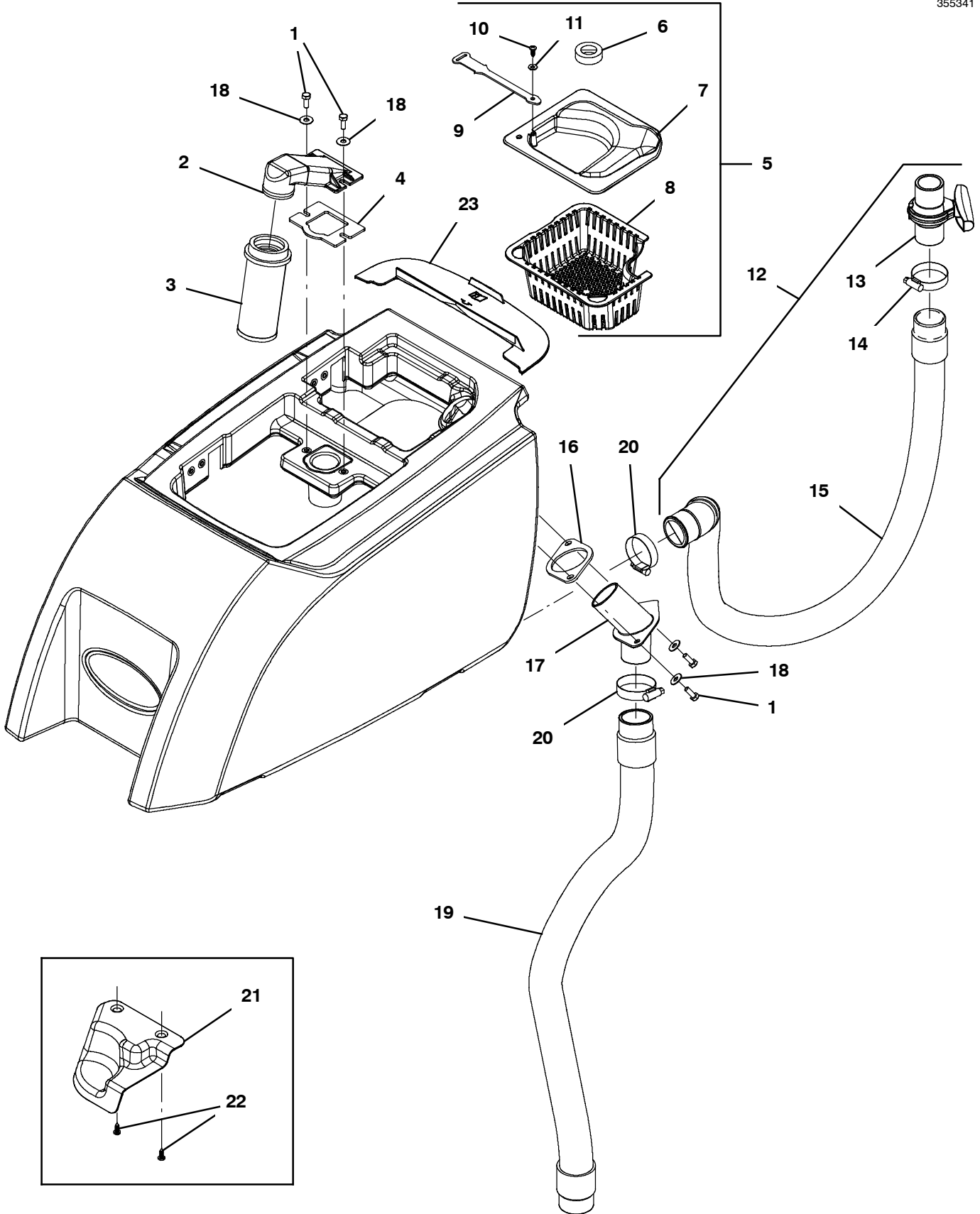
Ref.	Part No.	Serial Number	Description	Qty.	
1	11329	(30000000- 40000000)	Screw, Hex, M6 X 1.00 X 16, NI, Ss	4	
2	1011777	(30000000- 40000000)	Mount, Float, Mold	1	
3	630052	(30000000- 40000000)	Float, Shut- Off, (2)Ball, 1.75d	1	
4	1013628	(30000000- 40000000)	Gasket, Mtg, Float, .125th, Neo, Adh	1	
▽	5	9014872	(30052709- 40000000)	Kit, Deflector, Tray, Debris, Ci, [T300]	1
▲	6	1225187	(30052709- 40000000)	Seal, Rbr, Clsd, 12.7 Th , 24.0ld, 40.0Od	1
▲	7	1224899	(30052709- 40000000)	Deflector, Tray, Debris	1
▲	8	1207357	(30000000- 40000000)	Tray, Debris, Tank, Recvy [T300]	1
▲	9	1225172	(30052709- 40000000)	Strap, Retaining, Deflector, 150.0L	1
▲	10	1018155	(30052709- 40000000)	Screw, Pan, Phl, M5 X 0.80 X 16, Tcut,Ss	1
▲	11	01683	(30052709- 40000000)	Washer, Flat, 10, Ss	1
▽	12	1213008	(30000000- 40000000)	Hose Assy, Drain, 1.5d 025l 1.5/Cap [Pu] (Gray)	1
▲	13	1219134	(30000000- 40000000)	Cap, Drain Assy [Gray]	1
▽	12	1229594	(30000000- 40000000)	Hose Assy, Drain, 1.5d 017l, [Pvc], [Ch]	1
▲	13	1218955	(30000000- 40000000)	Cap, Drain Assy [Black]	1
14	11531	(30000000- 40000000)	Clamp, Hose, Wormdrive, 1.06- 2.00d, .56w	2	
15	1037106	(30000000- 40000000)	Gasket, Adapter, Hose .13, Neo	1	
16	1207196	(30000000- 40000000)	Tube, Hose, Adapter, 1.5d [T300]	1	
17	01684	(30000000- 40000000)	Washer, Flat, 0.27b 0.69d .05, Ss	4	
18	1204663	(30000000- 40000000)	Hose Assy, W/2cuff,1.5d 031l 1.5/1.5[Pu]	1	
18	1229595	(30000000- 40000000)	Hose Assy,W/2cuff,1.5d 022l, [Pvc], [Ch]	1	
19	1210214	(30000000- 30052708)	Deflector, Water, Recvy (Replaced By 9014872)	1	
20	1018155	(30000000- 30052708)	Screw, Pan, Phl, M5 X 0.80 X 16, Tcut,Ss	2	
21	9014905	(30054537- 40000000)	Cover Kit, Circuitbreaker, Ci[T300/E/Ss]	1	

▽ ASSEMBLY

▲ INCLUDED IN ASSEMBLY

RECOVERY TANK FILTER AND HOSE GROUP, CONTROL VALVE

355341



RECOVERY TANK FILTER AND HOSE GROUP, CONTROL VALVE

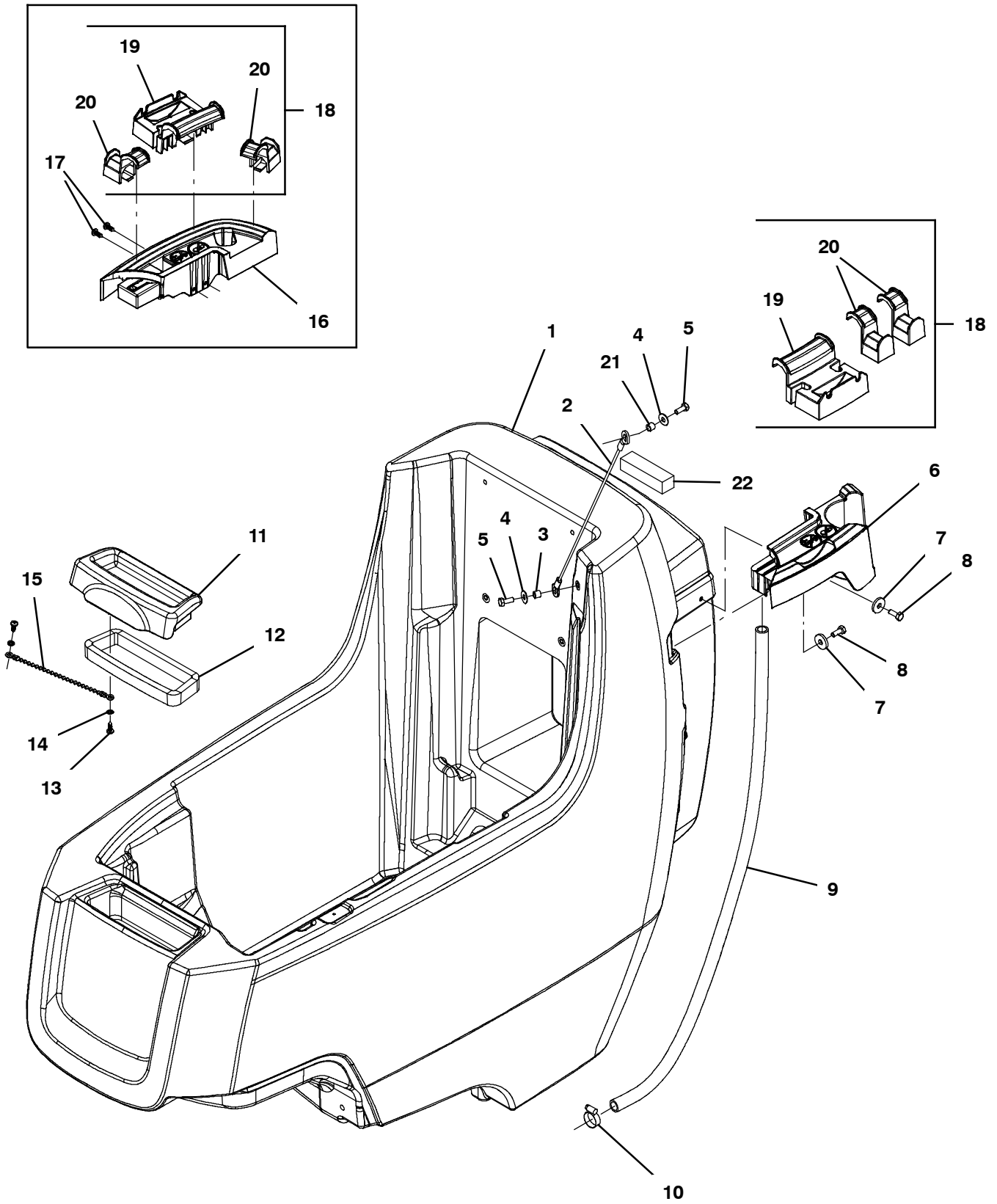
Ref.	Part No.	Serial Number	Description	Qty.	
1	11329	(30000000- 40000000)	Screw, Hex, M6 X 1.00 X 16, NI, Ss	4	
2	1011777	(30000000- 40000000)	Mount, Float, Mold	1	
3	630052	(30000000- 40000000)	Float, Shut- Off, (2)Ball, 1.75d	1	
4	1013628	(30000000- 40000000)	Gasket, Mtg, Float, .125th, Neo, Adh	1	
▽	5	9014872	(30052709- 40000000)	Kit, Deflector, Tray, Debris, Cl, [T300]	1
▲	6	1225187	(30052709- 40000000)	Seal, Rbr, Clsd, 12.7 Th , 24.0ld, 40.0Od	1
▲	7	1224899	(30052709- 40000000)	Deflector, Tray, Debris	1
▲	8	1207357	(30000000- 40000000)	Tray, Debris, Tank, Recvy [T300]	1
▲	9	1225172	(30052709- 40000000)	Strap, Retaining, Deflector, 150.0L	1
▲	10	1018155	(30052709- 40000000)	Screw, Pan, Phl, M5 X 0.80 X 16, Tcut,Ss	1
▲	11	01683	(30052709- 40000000)	Washer, Flat, 10, Ss	1
▽	12	9014171	(30000000- 40000000)	Hose Assy, With Valve	1
▲	13	1051986	(30000000- 40000000)	Valve, Ball, 2way, 1.0id Pvc, W/Handle	1
▲	14	11531	(30000000- 40000000)	Clamp, Hose, Wormdrive, 1.06- 2.00d, .56w	1
▲	15	1222591	(30000000- 40000000)	Hose Assy, 45cuff,1.5d 021l 1.5/1.5[Pu]	1
	16	1037106	(30000000- 40000000)	Gasket, Adapter, Hose .13, Neo	1
	17	1207196	(30000000- 40000000)	Tube, Hose, Adapter, 1.5d [T300]	1
	18	01684	(30000000- 40000000)	Washer, Flat, 0.27b 0.69d .05, Ss	4
	19	1204663	(30000000- 40000000)	Hose Assy, W/2cuff,1.5d 031l 1.5/1.5[Pu]	1
	20	11531	(30000000- 40000000)	Clamp, Hose, Wormdrive, 1.06- 2.00d, .56w	2
	21	1210214	(30000000- 30052708)	Deflector, Water, Recvy	1
	22	1018155	(30000000- 30052708)	Screw, Pan, Phl, M5 X 0.80 X 16, Tcut,Ss	2
	23	9014905	(30054537- 40000000)	Cover Kit, Circuitbreaker, Ci[T300/E/Ss]	1

▽ ASSEMBLY

▲ INCLUDED IN ASSEMBLY

SOLUTION TANK GROUP

355304



SOLUTION TANK GROUP

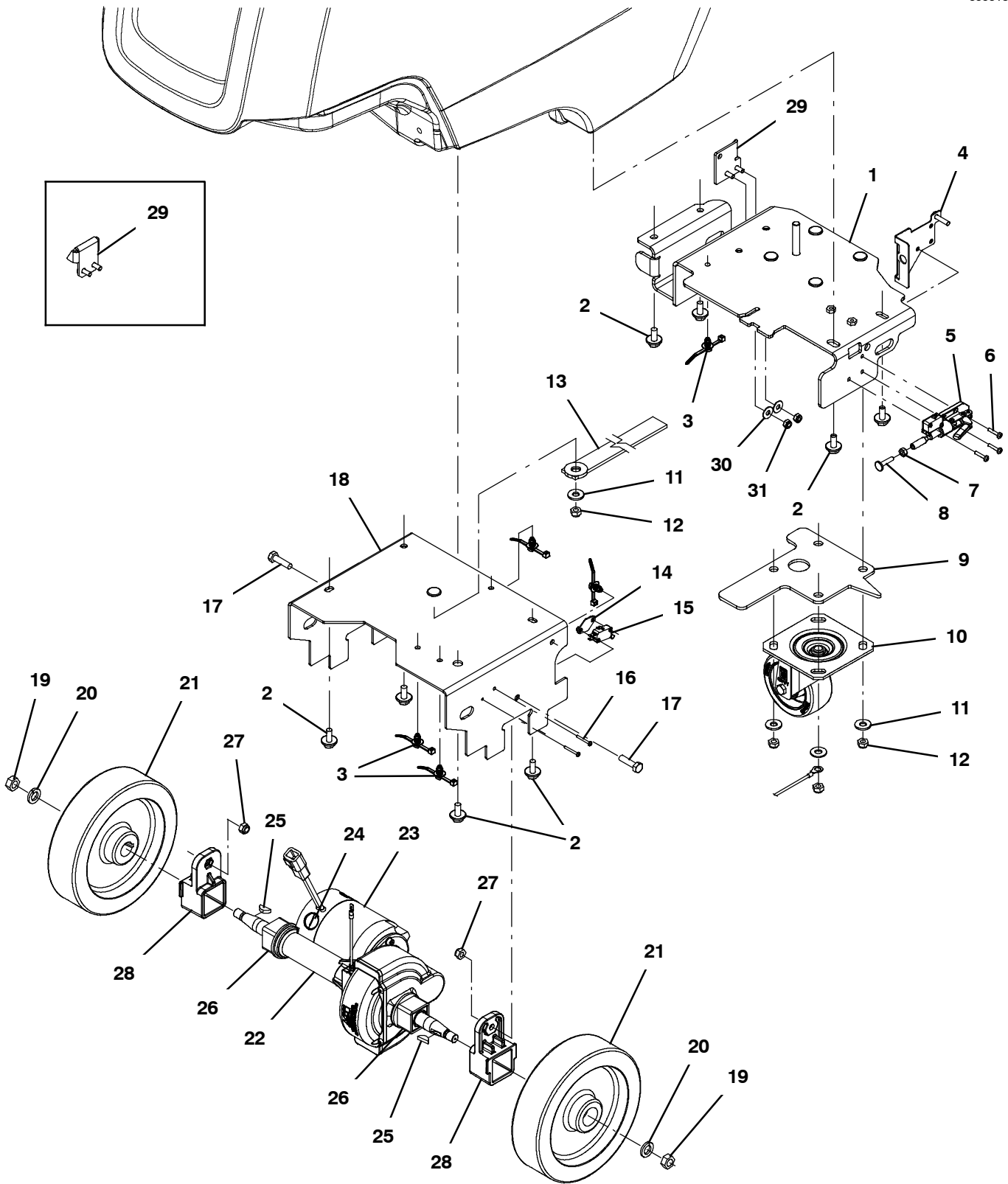
Ref.	Part No.	Serial Number	Description	Qty.	
1	9014156	(30000000- 40000000)	Kit, Tank, Soltn, [T300/T300e]	1	
2	391368	(30000000- 40000000)	Cable, Glv .09d 016.5l .38eye /.38eye	1	
3	140154	(30000000- 40000000)	Sleeve, P/M, 0.25b 0.38d 0.3l, Pl	2	
4	01684	(30000000- 40000000)	Washer, Flat, 0.27b 0.69d .05, Ss	2	
5	11329	(30000000- 40000000)	Screw, Hex, M6 X 1.00 X 16, NI, Ss	2	
6	1214264	(30000000- 40000000)	Tray, Accssry, Lh, 16mm Screw	1	
7	140053	(30000000- 40000000)	Washer, Flat, 0.28b 0.88d .12, Ss	2	
8	11329	(30000000- 40000000)	Screw, Hex, M6 X 1.00 X 16, NI, Ss	2	
9	20778	(30000000- 40000000)	Hose, Pvc, Clr, 0.50id 0.69od 030.0l	1	
10	54333	(30000000- 40000000)	Clamp, Hose, Wormdrive, 0.31- 0.88d, .31w	1	
11	9014408	(30000000- 40000000)	Kit, Cvr, Fill, W/ Ech20, Ci [Ce]	1	
11	9014409	(30000000- 40000000)	Kit, Cvr, Fill, Ci [Ce]	1	
12	1046428	(30000000- 40000000)	Seal, Afrmkt, Rbr, Clsd, Adh, 02ft	1	
13	1018155	(30000000- 40000000)	Screw, Pan, Phl, M5 X 0.80 X 16, Tcut,Ss	2	
14	07514	(30000000- 40000000)	Washer, Lock, Int, 10, Ss	2	
15	621443	(30000000- 40000000)	Chain, Ball, 10, 0157mml, Ss	1	
16	1214249	(30000000- 30064643)	Tray, Accssry, Rh, 16mm Screw	1	
17	1018155	(30000000- 30064643)	Screw, Pan, Phl, M5 X 0.80 X 16, Tcut,Ss	2	
▽	18	9014251	(30000000- 40000000)	Clip Kit, Rail, Di [T300/T300e/Ss300]	1
▲	19	1214292	(30000000- 40000000)	Bracket, Hanger, Rail, Lrg	1
▲	20	1214291	(30000000- 40000000)	Bracket, Hanger, Rail, Small	2
	21	80491	(30000000- 40000000)	Sleeve, P/M, 0.25b 0.38d 0.2l [430ss]	1
	22	1229734	(30000000- 40000000)	Seal, Neo, 0.88, 1.00w 3.6l Adh	1

▽ ASSEMBLY

▲ INCLUDED IN ASSEMBLY

FRAME GROUP, PROPEL MODEL

355318



FRAME GROUP, PROPEL MODEL

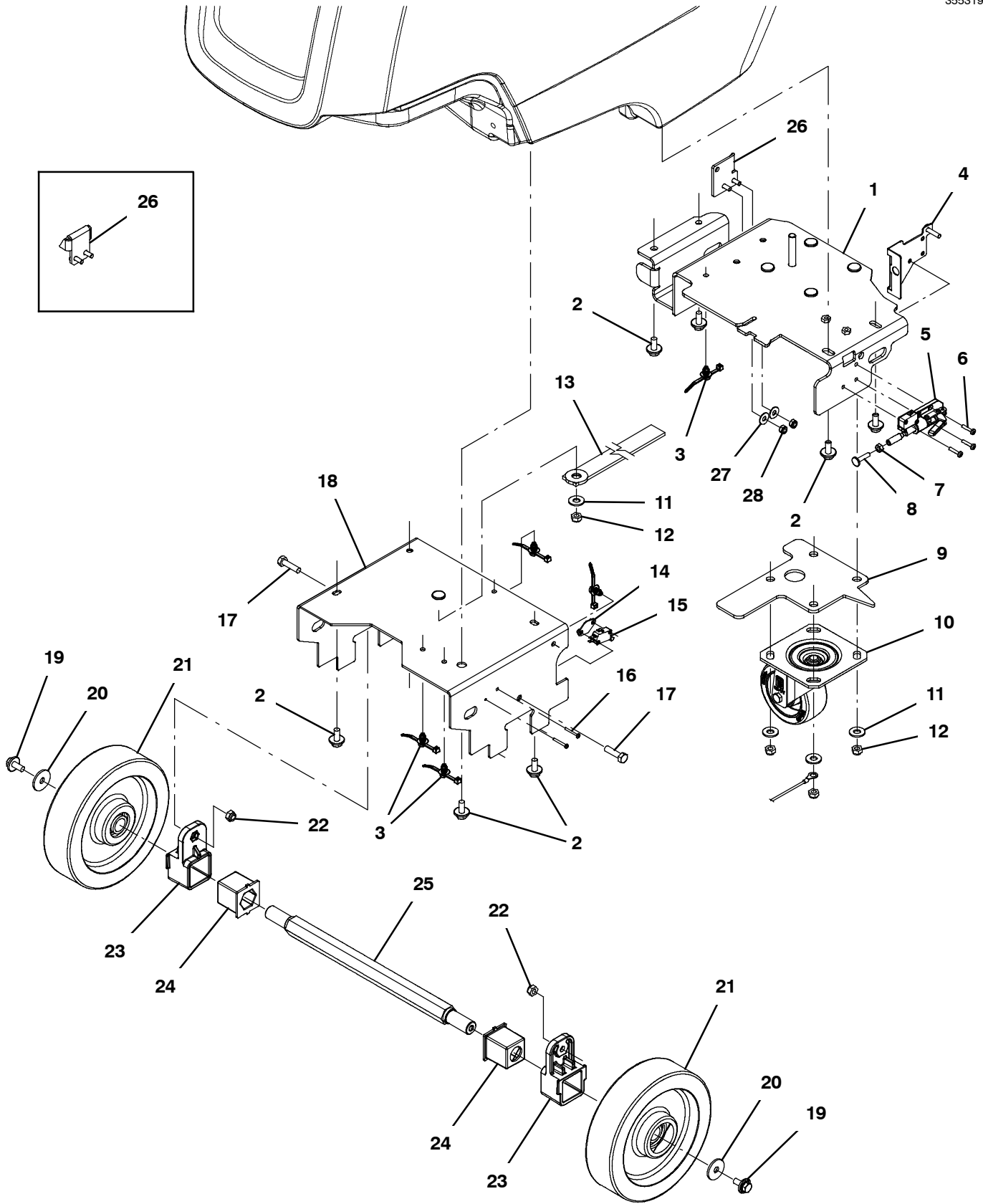
Ref.	Part No.	Serial Number	Description	Qty.	
1	1208498	(30000000- 40000000)	Frame Wldt, Rear	1	
2	1020341	(30000000- 40000000)	Screw, Hex, M8 X 1.25 X 20, Ss, Sems	8	
3	1210807	(30000000- 40000000)	Wire, Tie [W/.25" Fir Tree Clip]	5	
4	1211230	(30000000- 40000000)	Plate Wldt, Brake	1	
5	1209983	(30000000- 40000000)	Clamp, Brake, Parking	1	
6	12323	(30000000- 40000000)	Screw, Pan, Phl, M4 X 0.70 X 20, Ss	3	
7	07785	(30000000- 40000000)	Nut, Hex, Std, M6 X 1.00, Ss	1	
8	1017416	(30000000- 40000000)	Screw, Weld, M6 X 1.00 X 25, Thru, Ss	1	
9	1215093	(30000000- 40000000)	Spacer, Caster	1	
10	1212422	(30000000- 40000000)	Caster, Swivel [Wicke 224051]	1	
11	01685	(30000000- 40000000)	Washer, Flat, 0.38b 0.88d .08, Ss	5	
12	08713	(30000000- 40000000)	Nut, Hex, Lock, M8 X 1.25, NI, Ss	5	
13	71579	(30000000- 40000000)	Strap, Static, W/Grommet, .19 1.1w 25.0l	1	
14	1013705	(30000000- 40000000)	Plate, Thread, Switch, M3 Nut, 96hr PI	1	
15	1215716	(30000000- 40000000)	Switch, 0.1a, Spdt[Micro, Gold Contacts]	1	
16	33933	(30000000- 40000000)	Screw, Pan, Phl, M3 X 0.50 X 25, Ss	2	
17	09011	(30000000- 40000000)	Screw, Hex, M8 X 1.25 X 30, Ss	2	
18	1211968	(30000000- 40000000)	Frame Wldt, Front	1	
19	09741	(30000000- 40000000)	Nut, Hex, Lock, M12 X 1.75, NI, Ss	2	
20	140058	(30000000- 40000000)	Washer, Flat, 0.54b 0.88d .06, Ss [Wand]	2	
21	1214595	(30000000- 40000000)	Wheel, Scrbr, 8.00d, W/ Taper [Hi Trac]	2	
▽	22	1209779	(30000000- 40000000)	Transaxle, Ele, 24vdc, 112rpm [Asi]	1
▲		1017782	(30000000- 40000000)	Coupling Kit, Transaxle, Replmt [11057]	1
▲▽	23	1216386	(30000000- 40000000)	Motor, Transaxle, 24vdc, Replmt [UI, Ce]	1
▲▲	24	1212351	(30000000- 40000000)	Brush Kit, Carbon, Transaxle, UI (1 Kit = 4 Pcs)	1
▲	25	1021167	(30000000- 40000000)	Key, Woodruff, 5mm	2
▲	26	612880	(30000000- 40000000)	Joint, Transaxle, Replmt	2
	27	08713	(30000000- 40000000)	Nut, Hex, Lock, M8 X 1.25, NI, Ss	2
	28	1028292	(30000000- 40000000)	Adapter, Mtg, Axle, Alm [T3]	2
	29	1223078	(30058934- 40000000)	Bracket Wldt, Latch	1
	29	1013946	(30000000- 30058933)	Bracket, Locking, Pedal, Foot (Replaced By 9014788)	1
	30	01684	(30000000- 40000000)	Washer, Flat, 0.27b 0.69d .05, Ss	2
	31	08712	(30000000- 40000000)	Nut, Hex, Lock, M6 X 1.00, NI, Ss	2
N/S	1075323	(30066322- 40000000)	Harness, Main, Ele [Vw, Premium, Propel] (T300 Model)	1	
N/S	1073678	(30000000- 30066321)	Harness, Main, Ele [Vw, Premium, Propel] (T300 Model) (Replaced By 9015157)	1	
N/S	1075321	(30061052- 40000000)	Harness, Main, Ele [Vw, Base, Propel] (T300e Model)	1	
N/S	1073676	(30000000- 30061051)	Harness, Main, Ele [Vw, Base, Propel] (T300e Model) (Replaced By 9015155)	1	
N/S	1073592	(30000000- 40000000)	Harness, Ele [Vw, Op.Sta, Propel]	1	

▽ ASSEMBLY

▲ INCLUDED IN ASSEMBLY

FRAME GROUP, PUSH MODEL

355319

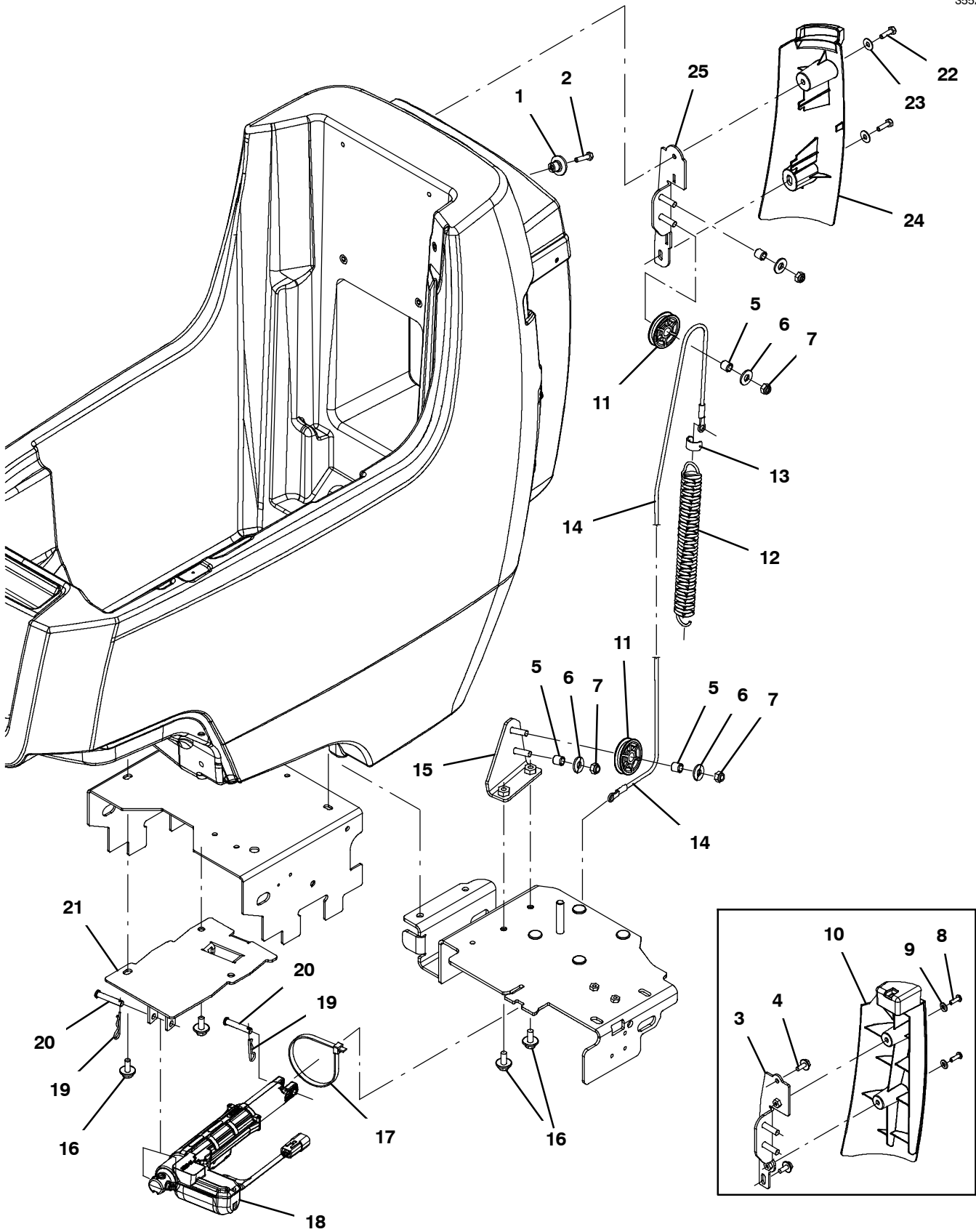


FRAME GROUP, PUSH MODEL

Ref.	Part No.	Serial Number	Description	Qty.
1	1208498	(30000000- 40000000)	Frame Wldt, Rear	1
2	1020341	(30000000- 40000000)	Screw, Hex, M8 X 1.25 X 20, Ss, Sems	8
3	1210807	(30000000- 40000000)	Wire, Tie [W/.25" Fir Tree Clip]	5
4	1211230	(30000000- 40000000)	Plate Wldt, Brake (Brake Option)	1
5	1209983	(30000000- 40000000)	Clamp, Brake, Parking (Brake Option)	1
6	12323	(30000000- 40000000)	Screw, Pan, Phl, M4 X 0.70 X 20, Ss (Brake Option)	3
7	07785	(30000000- 40000000)	Nut, Hex, Std, M6 X 1.00, Ss (Brake Option)	1
8	1017416	(30000000- 40000000)	Screw, Weld, M6 X 1.00 X 25, Thru, Ss (Brake Option)	1
9	1215093	(30000000- 40000000)	Spacer, Caster	1
10	1212422	(30000000- 40000000)	Caster, Swivel [Wicke 224051]	1
11	01685	(30000000- 40000000)	Washer, Flat, 0.38b 0.88d .08, Ss	5
12	08713	(30000000- 40000000)	Nut, Hex, Lock, M8 X 1.25, NI, Ss	5
13	71579	(30000000- 40000000)	Strap, Static, W/Grommet, .19 1.1w 25.0l	1
14	1013705	(30000000- 40000000)	Plate, Thread, Switch, M3 Nut, 96hr PI	1
15	1215716	(30000000- 40000000)	Switch, 0.1a, Spdt[Micro, Gold Contacts]	1
16	33933	(30000000- 40000000)	Screw, Pan, Phl, M3 X 0.50 X 25, Ss	2
17	09011	(30000000- 40000000)	Screw, Hex, M8 X 1.25 X 30, Ss	2
18	1211968	(30000000- 40000000)	Frame Wldt, Front	1
19	1020341	(30000000- 40000000)	Screw, Hex, M8 X 1.25 X 20, Ss, Sems	2
20	1016331	(30000000- 40000000)	Washer, Flat, 0.34b 1.25d .11, Ss	2
21	1214586	(30000000- 40000000)	Wheel, Scrbr, 8.00d, W/ Brg [Hi Trac]	2
22	08713	(30000000- 40000000)	Nut, Hex, Lock, M8 X 1.25, NI, Ss	2
23	1028292	(30000000- 40000000)	Adapter, Mtg, Axle, Alm [T3]	2
24	1028381	(30000000- 40000000)	Grommet, Axle [Tpu, T3 Push]	2
25	1028382	(30000000- 40000000)	Axle, Wheel, Hex, Clr Zn [T3 Push]	1
26	1223078	(30058934- 40000000)	Bracket Wldt, Latch	1
26	1013946	(30000000- 30058933)	Bracket, Locking, Pedal, Foot (Replaced By 9014788)	1
27	01684	(30000000- 40000000)	Washer, Flat, 0.27b 0.69d .05, Ss	2
28	08712	(30000000- 40000000)	Nut, Hex, Lock, M6 X 1.00, NI, Ss	2
N/S	1075324	(30066322- 40000000)	Harness, Main, Ele [Vw, Premium, Push] (T300 Model)	1
N/S	1073679	(30000000- 30066321)	Harness, Main, Ele [Vw, Premium, Push] (T300 Model) (Replaced By 9015158)	1
N/S	1075322	(30061119- 40000000)	Harness, Main, Ele [Vw, Base, Push] (T300e Model)	1
N/S	1073677	(30000000- 30061118)	Harness, Main, Ele [Vw, Base, Push] (T300e Model) (Replaced By 9015156)	1
N/S	1073593	(30000000- 40000000)	Harness, Ele [Vw, Op.Stat, Push]	1

ACTUATED DOWN PRESSURE GROUP

355282

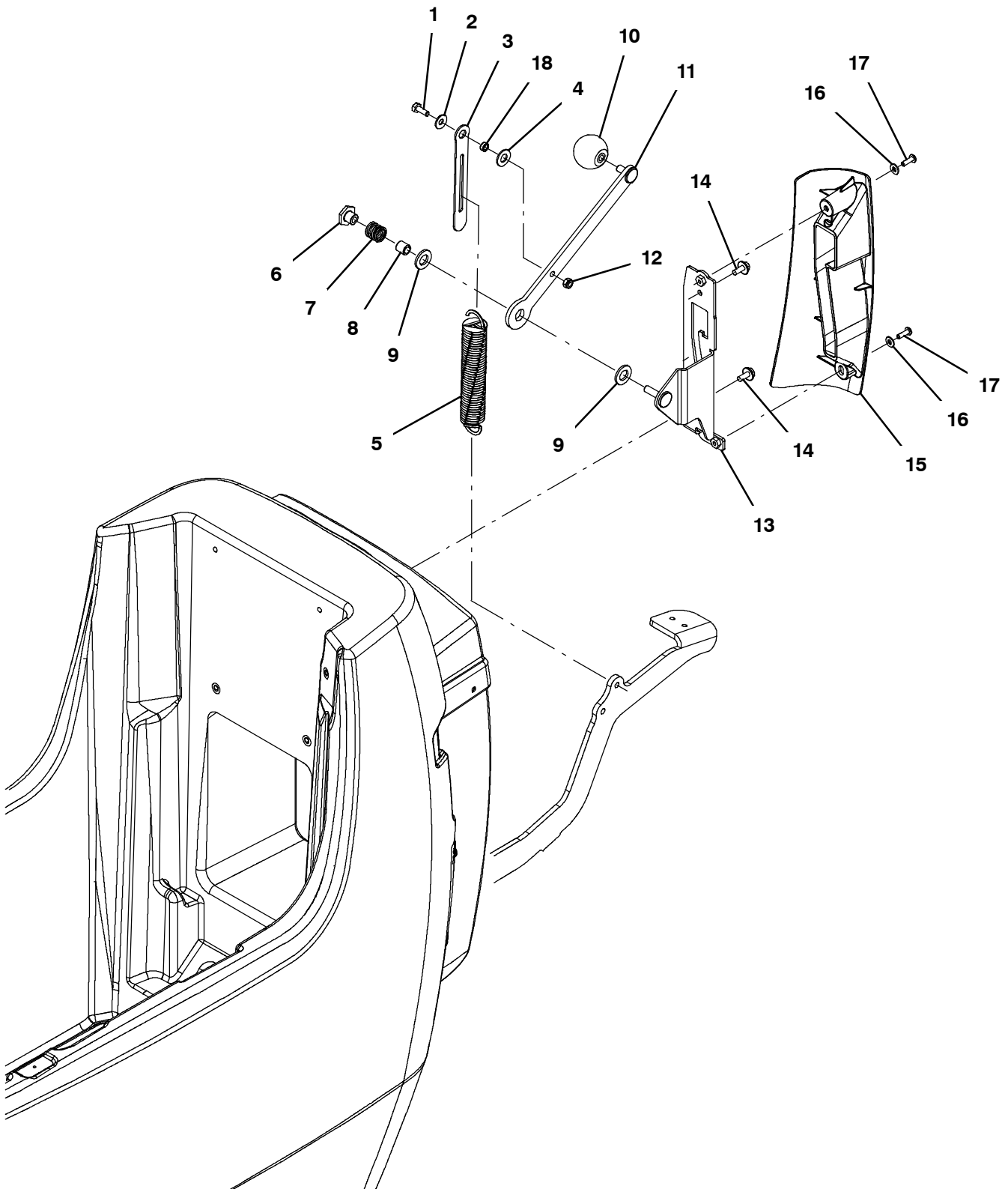


ACTUATED DOWN PRESSURE GROUP

Ref.	Part No.	Serial Number	Description	Qty.
1	1214283	(30000000- 40000000)	Guide, Cable	1
2	1016005	(30000000- 40000000)	Screw, Hex, M6 X 1.00 X 25, NI, FI, Ss	1
3	1213998	(30000000- 30064643)	Bracket Wldt, Mtg, Pulley, Down Press	1
4	1034731	(30000000- 30064643)	Screw, Hex, M6 X 1.00 X 16, Sems, Ss	2
5	222460	(30000000- 40000000)	Sleeve, P/M, 0.32b 0.50d 0.5l [430ss]	4
6	01685	(30000000- 40000000)	Washer, Flat, 0.38b 0.88d .08, Ss	4
7	08713	(30000000- 40000000)	Nut, Hex, Lock, M8 X 1.25, NI, Ss	4
8	1205799	(30000000- 30064643)	Screw, Btn, M5 X 0.8 X 16, 8.8, NI, Torx	2
9	01683	(30000000- 30064643)	Washer, Flat, 10, Ss	2
10	1212336	(30000000- 30064643)	Cover, Pulley Assy, Down- Press	1
11	369781	(30000000- 40000000)	Pulley, Cable, 1.5d Nyl	2
12	1216611	(30000000- 40000000)	Spring, Extn, 1.14od, 0.13wir, 6.5l (Disk & Orbital Models)	1
12	1216677	(30000000- 40000000)	Spring, Extn, 1.08od, 0.09wir, 6.5l (Cylindrical Model)	1
13	1218891	(30000000- 40000000)	Retainer, Strip, Rubber	1
14	1214005	(30000000- 40000000)	Cable, Down Press	1
15	1213986	(30000000- 40000000)	Bracket Wldt, Mtg, Pulley, Down Press	1
16	1020341	(30000000- 40000000)	Screw, Hex, M8 X 1.25 X 20, Ss, Sems	4
17	130773	(30000000- 40000000)	Tie, Cable, Nyl, 11.0l, .14w, 3.0 Max. D	1
18	1213982	(30000000- 40000000)	Actuator, 24vdc, 76.2 Strk, 500n	1
19	44906	(30000000- 40000000)	Pin, Cotter, Hair, 0.38d .093 Wir	2
20	397249	(30000000- 40000000)	Pin, Clevis, 0.31d X 1.62l	2
21	1214971	(30000000- 40000000)	Actuator Wldt, Mtg	1
22	12277	(30064644- 40000000)	Screw, Hex, M6 X 1.00 X 20, NI, Ss	2
23	01684	(30064644- 40000000)	Washer, Flat, 0.27b 0.69d .05, Ss	2
24	1224289	(30064644- 40000000)	Cover, Tank, Rh, [T300/E/Ss]	1
25	1224560	(30064644- 40000000)	Bracket Wldt, Mtg, Pulley, Dnprs	1

MANUAL DOWN PRESSURE GROUP

355283

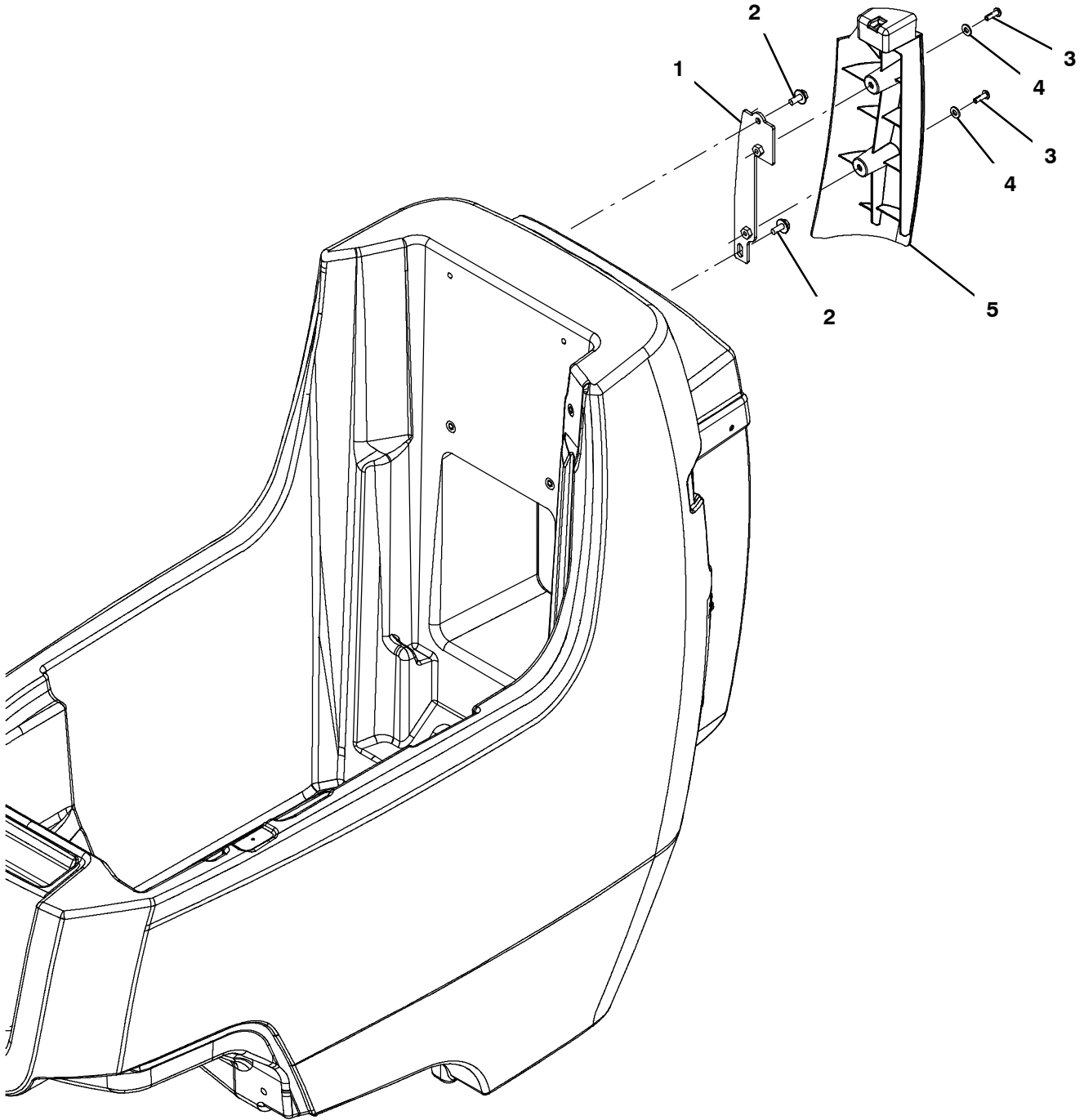


MANUAL DOWN PRESSURE GROUP

Ref.	Part No.	Serial Number	Description	Qty.
1	11329	(30000000- 40000000)	Screw, Hex, M6 X 1.00 X 16, NI, Ss	1
2	01684	(30000000- 40000000)	Washer, Flat, 0.27b 0.69d .05, Ss	1
3	1213745	(30000000- 40000000)	Plate, Link	1
4	20536	(30000000- 40000000)	Washer, Flat, 0.45b 1.19d .06, Nyl	1
5	1216611	(30000000- 40000000)	Spring, Extn, 1.14od, 0.13wir, 6.5l (Disk & Orbital Models)	1
5	1216677	(30000000- 40000000)	Spring, Extn, 1.08od, 0.09wir, 6.5l (Cylindrical Model)	1
6	1018181	(30000000- 40000000)	Nut, T, M8 X 1.25 X 0.50od X 0.4l	1
7	1018756	(30000000- 40000000)	Spring, Cmpr, 0.70od .08wir 00.7l, Pl,Mw	1
8	222460	(30000000- 40000000)	Sleeve, P/M, 0.32b 0.50d 0.5l [430ss]	1
9	1013936	(30000000- 40000000)	Washer, Flat, 0.51b 0.94d .10, Nyl	2
10	1017156	(30000000- 40000000)	Knob, Ball, M8 Insert, 40mmd, Plstc	1
11	1210591	(30000000- 40000000)	Lever Wldt, Down Pressure, Mnl	1
12	08712	(30000000- 40000000)	Nut, Hex, Lock, M6 X 1.00, NI, Ss	1
13	1210597	(30000000- 40000000)	Bracket Wldt, Down Press, Mnl	1
14	1034731	(30000000- 40000000)	Screw, Hex, M6 X 1.00 X 16, Sems, Ss	2
15	1209371	(30000000- 40000000)	Cover, Lever Assy, Down- Press	1
16	01683	(30000000- 40000000)	Washer, Flat, 10, Ss	2
17	1205799	(30000000- 40000000)	Screw, Btn, M5 X 0.8 X 16, 8.8, NI, Torx	2
18	80491	(30000000- 40000000)	Sleeve, P/M, 0.25b 0.38d 0.2l [430ss]	1

SINGLE DOWN PRESSURE GROUP

355284

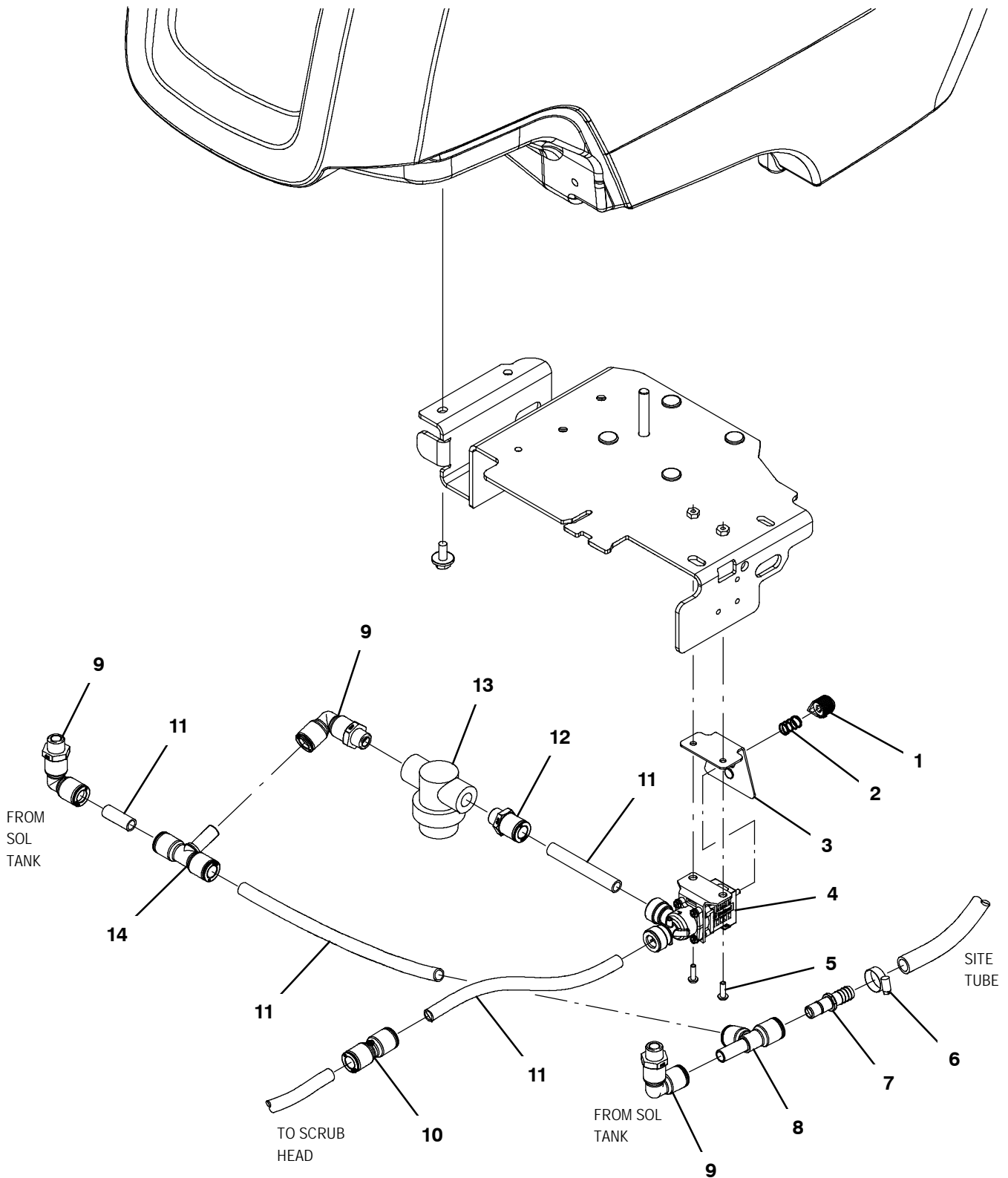


SINGLE DOWN PRESSURE GROUP

Ref.	Part No.	Serial Number	Description	Qty.
1	1214330	(30000000- 40000000)	Bracket Wldt, Mtg, Cover	1
2	1034731	(30000000- 40000000)	Screw, Hex, M6 X 1.00 X 16, Sems, Ss	2
3	1205799	(30000000- 40000000)	Screw, Btn, M5 X 0.8 X 16, 8.8, NI, Torx	2
4	01683	(30000000- 40000000)	Washer, Flat, 10, Ss	2
5	1212336	(30000000- 40000000)	Cover, Pulley Assy, Down- Press	1

SOLUTION GROUP, T300e MODEL

355307



SOLUTION GROUP, T300e MODEL

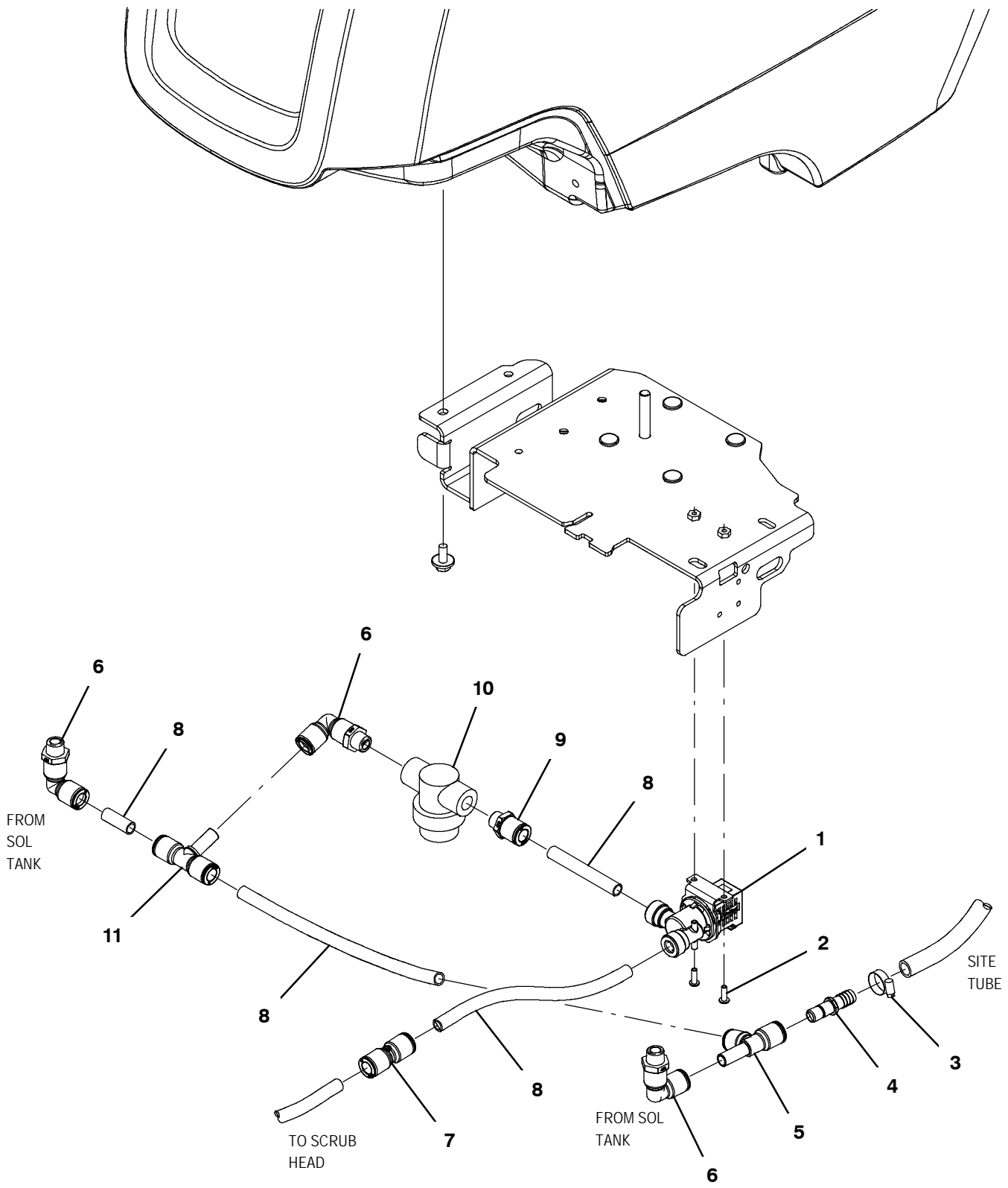
Ref.	Part No.	Serial Number	Description	Qty.	
1	1013442	(30000000- 40000000)	Knob, Valve, 0.70d 0.61l, 0.21b	1	
2	1017091	(30000000- 40000000)	Spring, Cmpr, 0.50od .04wir 00.8l	1	
3	1210041	(30000000- 40000000)	Bracket Wldt, Mtg, Valve, Soltn	1	
4	1211423	(30000000- 40000000)	Valve, Water, Solenoid, 24vdc Qf08/Qf08	1	
5	1205799	(30000000- 40000000)	Screw, Btn, M5 X 0.8 X 16, 8.8, NI, Torx	2	
6	54333	(30000000- 40000000)	Clamp, Hose, Wormdrive, 0.31- 0.88d, .31w	1	
7	1212807	(30000000- 40000000)	Fitting, Plstc, Str, Qm08/Bm08	1	
8	1212806	(30000000- 40000000)	Fitting, Plstc, Tee, Qf08/Qf08/Qm08	1	
9	1212987	(30000000- 40000000)	Fitting, Plstc, E90, Qf08/Pm06, Swivel	3	
10	1212859	(30000000- 40000000)	Fitting, Plstc, Str, Qf08/Qf08	1	
11	9014145	(30000000- 40000000)	Hose, Afrmkt, Pe, .375id .50od, 05ft	1	
12	1212813	(30000000- 40000000)	Fitting, Plstc, Str, Qf08/Pm06	1	
▽	13	1211537	(30000000- 40000000)	Filter, In- Line, Pf06/Pf06 080m 2.6l Epd	1
▲		1218885	(30000000- 40000000)	Gasket [Epdm, F/1211537]	1
▲		1218883	(30000000- 40000000)	Screen, Fltr, 80 Mesh, Ss [W/ Cage]	1
▲		613991	(30000000- 40000000)	Bowl, Clr, Short, F/1005302	1
14	1212810	(30000000- 40000000)	Fitting, Plstc, Tee, Qm08/Qf08/Qf08	1	

▽ ASSEMBLY

▲ INCLUDED IN ASSEMBLY

SOLUTION GROUP, T300 MODEL

355308



SOLUTION GROUP, T300 MODEL

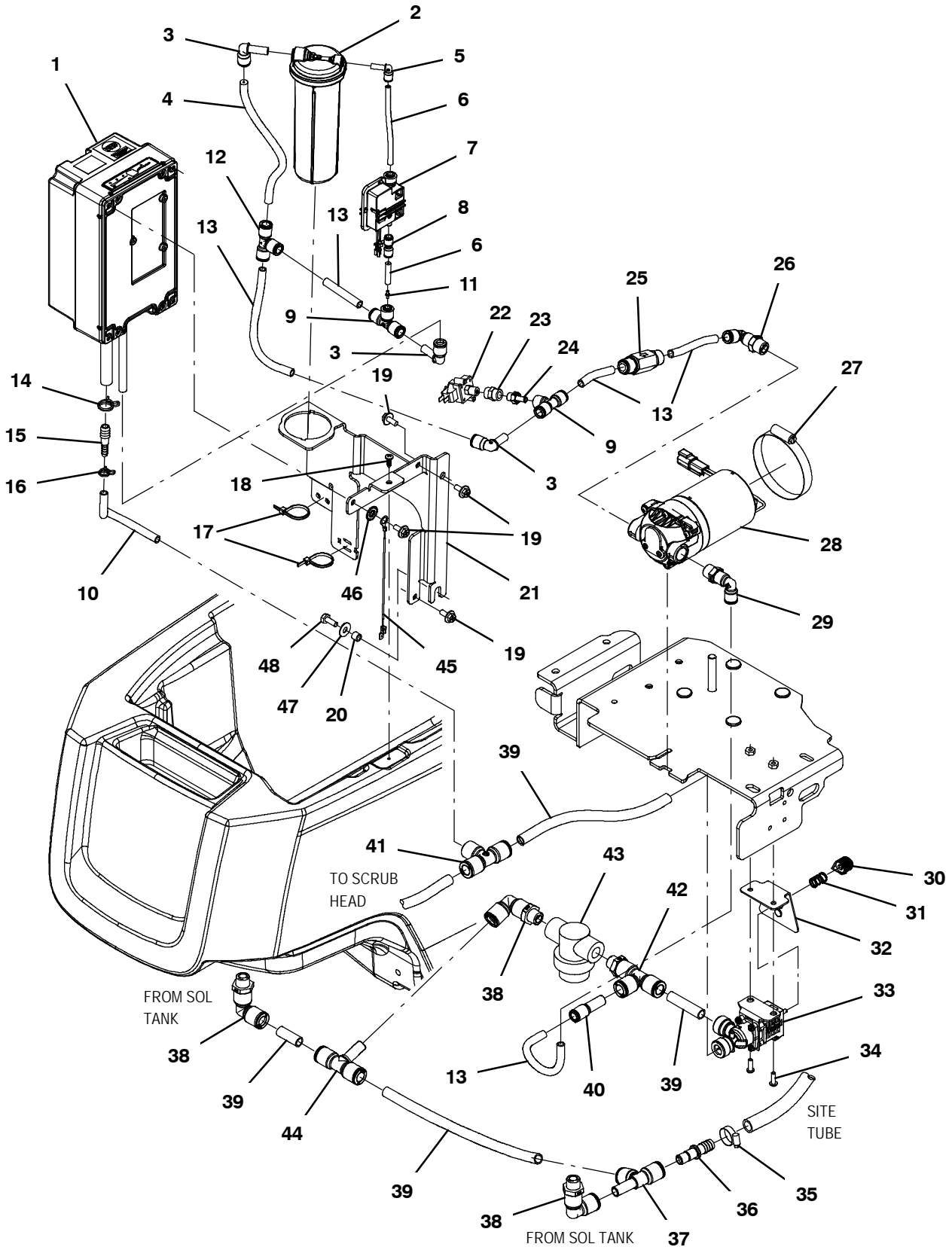
Ref.	Part No.	Serial Number	Description	Qty.	
1	1211424	(30000000- 40000000)	Valve, Water, Solenoid, 24vdc Qf08/Qf08	1	
2	1205799	(30000000- 40000000)	Screw, Btn, M5 X 0.8 X 16, 8.8, NI, Torx	2	
3	54333	(30000000- 40000000)	Clamp, Hose, Wormdrive, 0.31- 0.88d, .31w	1	
4	1212807	(30000000- 40000000)	Fitting, Plstc, Str, Qm08/Bm08	1	
5	1212806	(30000000- 40000000)	Fitting, Plstc, Tee, Qf08/Qf08/Qm08	1	
6	1212987	(30000000- 40000000)	Fitting, Plstc, E90, Qf08/Pm06, Swivel	3	
7	1212859	(30000000- 40000000)	Fitting, Plstc, Str, Qf08/Qf08	1	
8	9014145	(30000000- 40000000)	Hose, Afrmkt, Pe, .375id .50od, 05ft	1	
9	1212813	(30000000- 40000000)	Fitting, Plstc, Str, Qf08/Pm06	1	
▽	10	1211537	(30000000- 40000000)	Filter, In- Line, Pf06/Pf06 080m 2.6l Epd	1
▲	1218885	(30000000- 40000000)	Gasket [Epdm, F/1211537]	1	
▲	1218883	(30000000- 40000000)	Screen, Fltr, 80 Mesh, Ss [W/ Cage]	1	
▲	613991	(30000000- 40000000)	Bowl, Clr, Short, F/1005302	1	
11	1212810	(30000000- 40000000)	Fitting, Plstc, Tee, Qm08/Qf08/Qf08	1	

▽ ASSEMBLY

▲ INCLUDED IN ASSEMBLY

SOLUTION GROUP, T300e MODEL ec-H2O

355309



SOLUTION GROUP, T300e MODEL ec- H2O

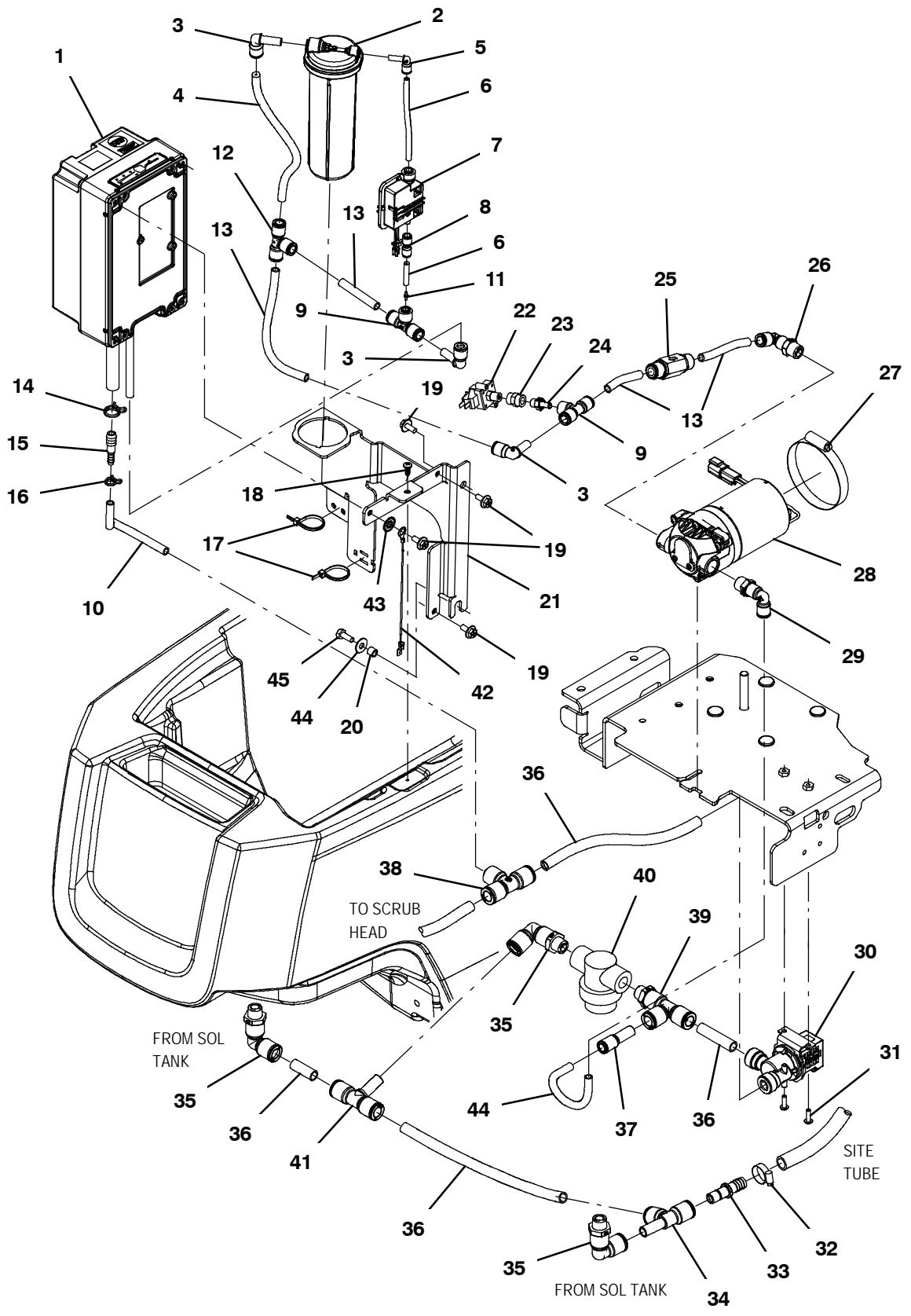
Ref.	Part No.	Serial Number	Description	Qty.
▽	1	9011810	(30000000- 40000000) Module Kit, Replmt [Ec- H2o, B 02] (See Breakdowns)	1
▲	2	9013646	(30000000- 40000000) Cartridge, Ec- H2o Nanoclean Wcm, 270ml	1
	3	1215186	(30000000- 40000000) Fitting, Plstc, E90, Qf06/Qm06	1
	4	9014146	(30000000- 40000000) Hose, Afrmkt, Pvc, 0.06id .38od, 05ft	1
	5	1214339	(30000000- 40000000) Fitting, Plstc, E90, Qfo4/Qm04	1
	6	9014147	(30000000- 40000000) Hose, Afrmkt, Pvc, 0.06id .25od, 05ft	1
	7	1216973	(30000000- 40000000) Pump Assy, Dispenser	1
	8	1218192	(30000000- 40000000) Fitting, Plstc, Str, Qf04/Qf04	1
	9	1212855	(30000000- 40000000) Fitting, Plstc, Tee, Qf04/Qf06/Qf06	2
	10	1006415	(30000000- 40000000) Hose, Afrmkt, Pvc, Clr, 0.25id, 03ft	1
	11	1214972	(30000000- 40000000) Fitting, Orifice, Str, Bm01/Bm01	1
	12	1212573	(30000000- 40000000) Fitting, Plstc, Tee, Qf06/Qf06/Qf06	1
	13	9014148	(30000000- 40000000) Hose, Afrmkt, Nat, 0.25id 0.375od, 06ft	1
	14	607775	(30000000- 40000000) Clamp, Hose, Wir, .63 - .66, Blk	1
	15	1039557	(30000000- 40000000) Fitting, Plstc, Str, Bm04/Bm06	1
	16	613735	(30000000- 40000000) Clamp, Hose, Wir, .40 - .42, Yel	1
	17	130773	(30000000- 40000000) Tie, Cable, Nyl, 11.0l, .14w, 3.0 Max. D	2
	18	1018155	(30000000- 40000000) Screw, Pan, Phl, M5 X 0.80 X 16, Tcut, Ss	1
	19	1034731	(30000000- 40000000) Screw, Hex, M6 X 1.00 X 16, Sems, Ss	5
	20	140154	(30000000- 40000000) Sleeve, P/M, 0.25b 0.38d 0.3l, PI	1
	21	1209249	(30000000- 40000000) Bracket, Mtg, Ec- H20 Module [T300]	1
	22	1044335	(30000000- 40000000) Switch, Press, 6psi, Pm02	1
	23	150307	(30000000- 40000000) Fitting, Brs, Str, Pf02/Pf02, Cplg	1
	24	1216185	(30000000- 40000000) Fitting, Plstc, Str, Qm04/Pm02	1
	25	1215527	(30000000- 40000000) Valve, Check, 1.0 Psi Qf06/Qf06	1
	26	1212812	(30000000- 40000000) Fitting, Plstc, E90, Qf06/Pm06, Swivel	1
	27	43555	(30000000- 40000000) Clamp, Hose, Wormdrive, 2.62- 3.50d	1
	28	1210517	(30000000- 40000000) Pump, Soltn, Ele, 24vdc, 35 Psi	1
	29	1212812	(30000000- 40000000) Fitting, Plstc, E90, Qf06/Pm06, Swivel	1
	30	1013442	(30000000- 40000000) Knob, Valve, 0.70d 0.61l, 0.21b	1
	31	1017091	(30000000- 40000000) Spring, Cmpr, 0.50od .04wir 00.8l	1
	32	1210041	(30000000- 40000000) Bracket Wldt, Mtg, Valve, Soltn	1
	33	1211423	(30000000- 40000000) Valve, Water, Solenoid, 24vdc Qf08/Qf08	1
	34	1205799	(30000000- 40000000) Screw, Btn, M5 X 0.8 X 16, 8.8, NI, Torx	2
	35	54333	(30000000- 40000000) Clamp, Hose, Wormdrive, 0.31- 0.88d, .31w	1
	36	1212807	(30000000- 40000000) Fitting, Plstc, Str, Qm08/Bm08	1
	37	1212806	(30000000- 40000000) Fitting, Plstc, Tee, Qf08/Qf08/Qm08	1
	38	1212987	(30000000- 40000000) Fitting, Plstc, E90, Qf08/Pm06, Swivel	3
	39	9014145	(30000000- 40000000) Hose, Afrmkt, Pe, .375id .50od, 05ft	1
	40	1215218	(30000000- 40000000) Fitting, Plstc, Str, Qf06/Qm08	1
	41	1212875	(30000000- 40000000) Fitting, Plstc, Tee, Qf06/Qf08/Qf08	1
	42	1212808	(30000000- 40000000) Fitting, Plstc, Tee, Qf08/Qf08/Pm06	1
▽	43	1211537	(30000000- 40000000) Filter, In- Line, Pf06/Pf06 080m 2.6l Epd	1
▲		1218885	(30000000- 40000000) Gasket [Epdm, F/1211537]	1
▲		1218883	(30000000- 40000000) Screen, Fltr, 80 Mesh, Ss [W/ Cage]	1
▲		613991	(30000000- 40000000) Bowl, Clr, Short, F/1005302	1
	44	1212810	(30000000- 40000000) Fitting, Plstc, Tee, Qm08/Qf08/Qf08	1
	45	1074344	(30000000- 40000000) Harness, Ele [Ring With .250m Tail]	1
	46	41140	(30000000- 40000000) Washer, Lock, Int- Ext, 0.25	1
	47	01684	(30000000- 40000000) Washer, Flat, 0.27b 0.69d .05, Ss	1
	48	11329	(30000000- 40000000) Screw, Hex, M6 X 1.00 X 16, NI, Ss	1

▽ ASSEMBLY

▲ INCLUDED IN ASSEMBLY

SOLUTION GROUP, T300 MODEL ec-H2O

355310



SOLUTION GROUP, T300 MODEL ec-H2O

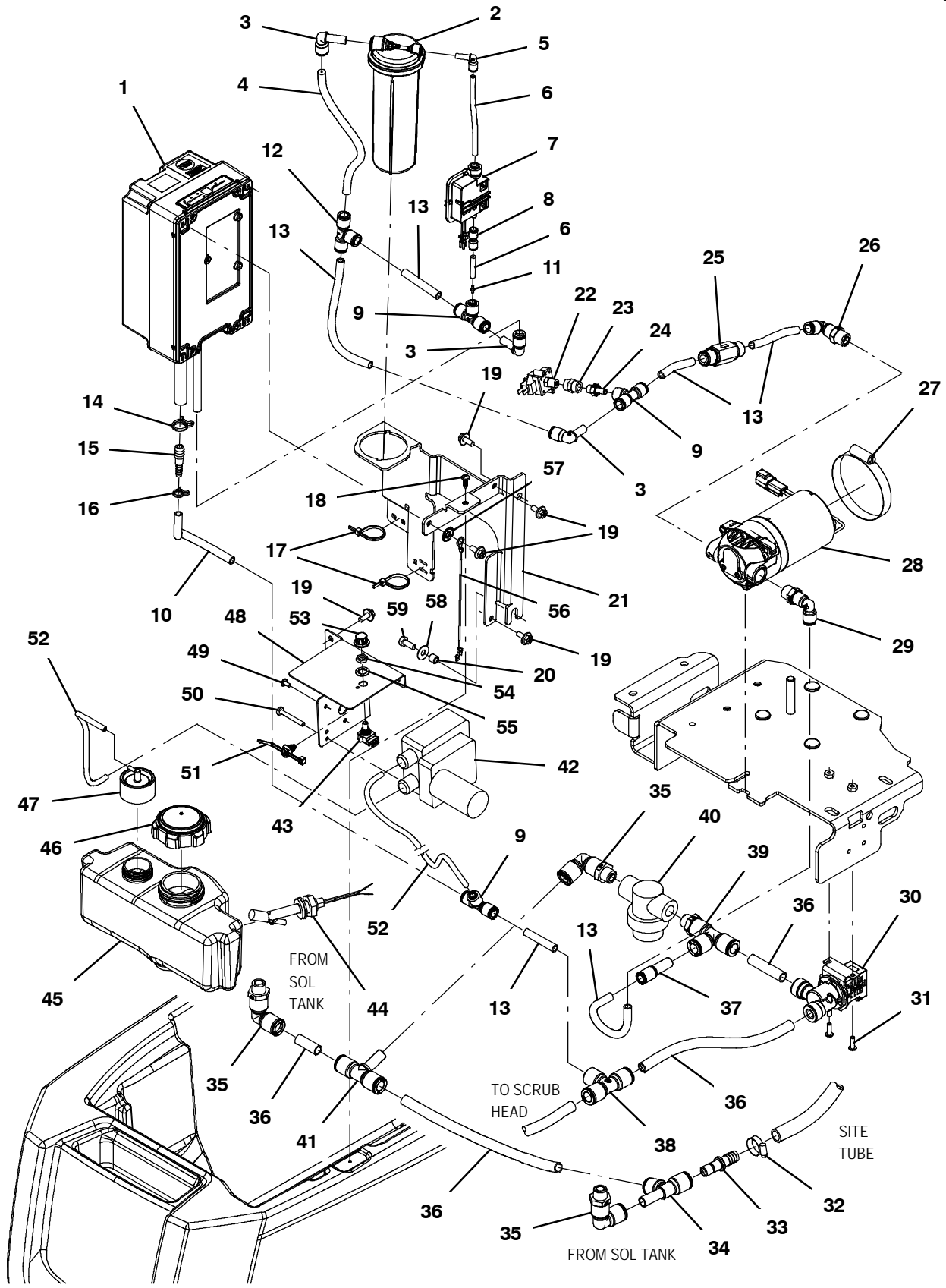
Ref.	Part No.	Serial Number	Description	Qty.
▽	1	9011810	(30000000- 40000000) Module Kit, Replmt [Ec- H2o, B 02] (See Breakdowns)	1
▲	2	9013646	(30000000- 40000000) Cartridge, Ec- H2o Nanoclean Wcm, 270ml	1
	3	1215186	(30000000- 40000000) Fitting, Plstc, E90, Qf06/Qm06	1
	4	9014146	(30000000- 40000000) Hose, Afrmkt, Pvc, 0.06id .38od, 05ft	1
	5	1214339	(30000000- 40000000) Fitting, Plstc, E90, Qfo4/Qm04	1
	6	9014147	(30000000- 40000000) Hose, Afrmkt, Pvc, 0.06id .25od, 05ft	1
	7	1216973	(30000000- 40000000) Pump Assy, Dispenser	1
	8	1218192	(30000000- 40000000) Fitting, Plstc, Str, Qf04/Qf04	1
	9	1212855	(30000000- 40000000) Fitting, Plstc, Tee, Qf04/Qf06/Qf06	2
	10	1006415	(30000000- 40000000) Hose, Afrmkt, Pvc, Clr, 0.25id, 03ft	1
	11	1214972	(30000000- 40000000) Fitting, Orifice, Str, Bm01/Bm01	1
	12	1212573	(30000000- 40000000) Fitting, Plstc, Tee, Qf06/Qf06/Qf06	1
	13	9014148	(30000000- 40000000) Hose, Afrmkt, Nat, 0.25id 0.375od, 06ft	1
	14	607775	(30000000- 40000000) Clamp, Hose, Wir, .63 - .66, Blk	1
	15	1039557	(30000000- 40000000) Fitting, Plstc, Str, Bm04/Bm06	1
	16	613735	(30000000- 40000000) Clamp, Hose, Wir, .40 - .42, Yel	1
	17	130773	(30000000- 40000000) Tie, Cable, Nyl, 11.0l, .14w, 3.0 Max. D	2
	18	1018155	(30000000- 40000000) Screw, Pan, Phl, M5 X 0.80 X 16, Tcut, Ss	1
	19	1034731	(30000000- 40000000) Screw, Hex, M6 X 1.00 X 16, Sems, Ss	5
	20	140154	(30000000- 40000000) Sleeve, P/M, 0.25b 0.38d 0.3l, PI	1
	21	1209249	(30000000- 40000000) Bracket, Mtg, Ec- H20 Module [T300]	1
	22	1044335	(30000000- 40000000) Switch, Press, 6psi, Pm02	1
	23	150307	(30000000- 40000000) Fitting, Brs, Str, Pf02/Pf02, Cplg	1
	24	1216185	(30000000- 40000000) Fitting, Plstc, Str, Qm04/Pm02	1
	25	1215527	(30000000- 40000000) Valve, Check, 1.0 Psi Qf06/Qf06	1
	26	1212812	(30000000- 40000000) Fitting, Plstc, E90, Qf06/Pm06, Swivel	1
	27	43555	(30000000- 40000000) Clamp, Hose, Wormdrive, 2.62- 3.50d	1
	28	1210517	(30000000- 40000000) Pump, Soltn, Ele, 24vdc, 35 Psi	1
	29	1212812	(30000000- 40000000) Fitting, Plstc, E90, Qf06/Pm06, Swivel	1
	30	1211424	(30000000- 40000000) Valve, Water, Solenoid, 24vdc Qf08/Qf08	1
	31	1205799	(30000000- 40000000) Screw, Btn, M5 X 0.8 X 16, 8.8, NI, Torx	2
	32	54333	(30000000- 40000000) Clamp, Hose, Wormdrive, 0.31- 0.88d, .31w	1
	33	1212807	(30000000- 40000000) Fitting, Plstc, Str, Qm08/Bm08	1
	34	1212806	(30000000- 40000000) Fitting, Plstc, Tee, Qf08/Qf08/Qm08	1
	35	1212987	(30000000- 40000000) Fitting, Plstc, E90, Qf08/Pm06, Swivel	3
	36	9014145	(30000000- 40000000) Hose, Afrmkt, Pe, .375id .50od, 05ft	1
	37	1215218	(30000000- 40000000) Fitting, Plstc, Str, Qf06/Qm08	1
	38	1212875	(30000000- 40000000) Fitting, Plstc, Tee, Qf06/Qf08/Qf08	1
	39	1212808	(30000000- 40000000) Fitting, Plstc, Tee, Qf08/Qf08/Pm06	1
▽	40	1211537	(30000000- 40000000) Filter, In- Line, Pf06/Pf06 080m 2.6l Epd	1
▲		1218885	(30000000- 40000000) Gasket [Epdm, F/1211537]	1
▲		1218883	(30000000- 40000000) Screen, Fltr, 80 Mesh, Ss [W/ Cage]	1
▲		613991	(30000000- 40000000) Bowl, Clr, Short, F/1005302	1
	41	1212810	(30000000- 40000000) Fitting, Plstc, Tee, Qm08/Qf08/Qf08	1
	42	1074344	(30000000- 40000000) Harness, Ele [Ring With .250m Tail]	1
	43	41140	(30000000- 40000000) Washer, Lock, Int- Ext, 0.25	1
	44	01684	(30000000- 40000000) Washer, Flat, 0.27b 0.69d .05, Ss	1
	45	11329	(30000000- 40000000) Screw, Hex, M6 X 1.00 X 16, NI, Ss	1

▽ ASSEMBLY

▲ INCLUDED IN ASSEMBLY

SOLUTION GROUP, T300 MODEL ec-H2O & SEVERE ENVIRONMENT

355311



SOLUTION GROUP, T300 MODEL ec- H2O & SEVERE ENVIRONMENT

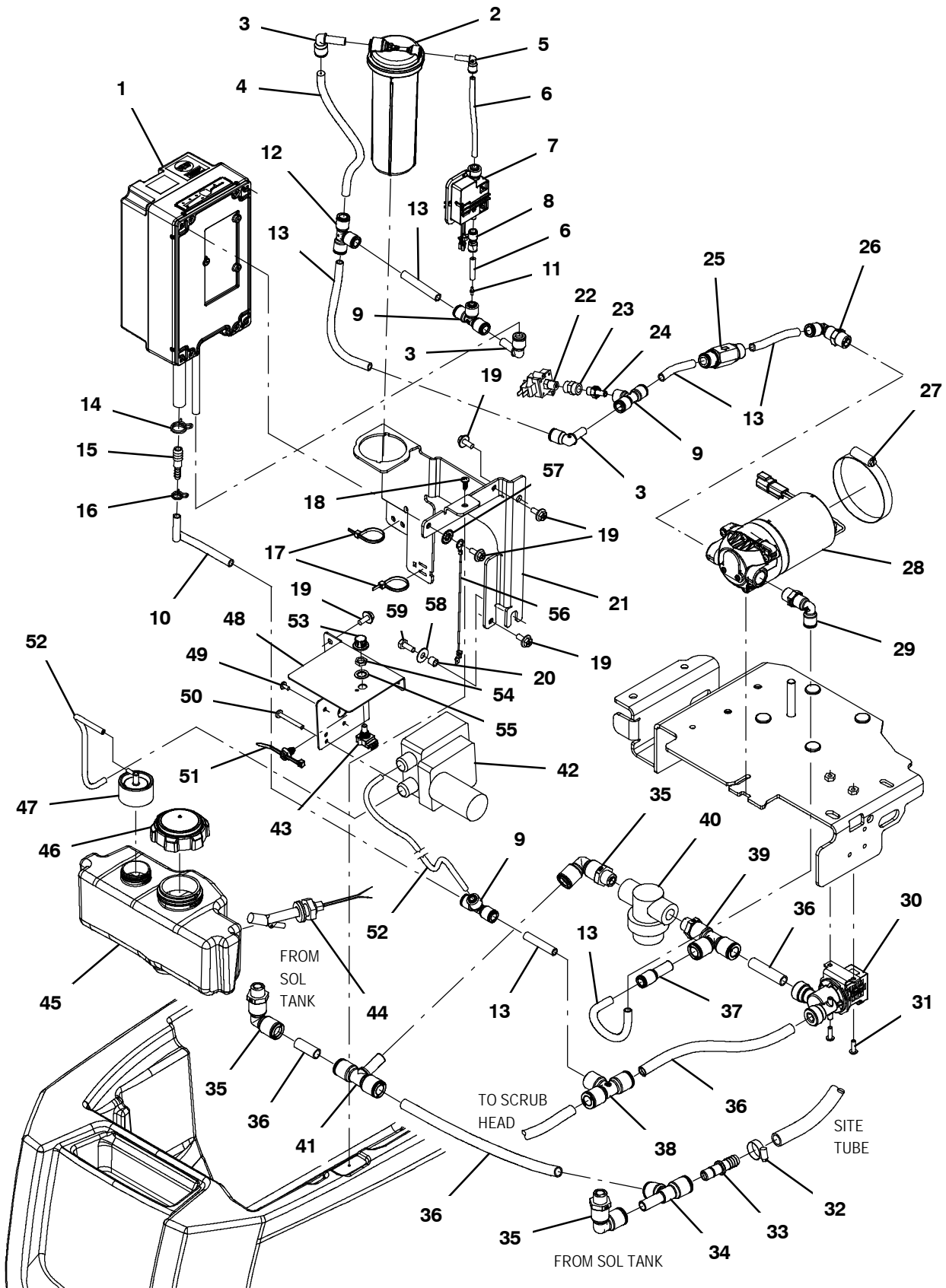
Ref.	Part No.	Serial Number	Description	Qty.
▽	1	9011810	(30000000- 40000000) Module Kit, Replmt [Ec- H2o, B 02] (See Breakdowns)	1
▲	2	9013646	(30000000- 40000000) Cartridge, Ec- H2o Nanoclean Wcm, 270ml	1
	3	1215186	(30000000- 40000000) Fitting, Plstc, E90, Qf06/Qm06	1
	4	9014146	(30000000- 40000000) Hose, Afrmkt, Pvc, 0.06id .38od, 05ft	1
	5	1214339	(30000000- 40000000) Fitting, Plstc, E90, Qfo4/Qm04	1
	6	9014147	(30000000- 40000000) Hose, Afrmkt, Pvc, 0.06id .25od, 05ft	1
	7	1216973	(30000000- 40000000) Pump Assy, Dispenser	1
	8	1218192	(30000000- 40000000) Fitting, Plstc, Str, Qf04/Qf04	1
	9	1212855	(30000000- 40000000) Fitting, Plstc, Tee, Qf04/Qf06/Qf06	3
	10	1006415	(30000000- 40000000) Hose, Afrmkt, Pvc, Clr, 0.25id, 03ft	1
	11	1214972	(30000000- 40000000) Fitting, Orifice, Str, Bm01/Bm01	1
	12	1212573	(30000000- 40000000) Fitting, Plstc, Tee, Qf06/Qf06/Qf06	1
	13	9014148	(30000000- 40000000) Hose, Afrmkt, Nat, 0.25id 0.375od, 06ft	1
	14	607775	(30000000- 40000000) Clamp, Hose, Wir, .63 - .66, Blk	1
	15	1039557	(30000000- 40000000) Fitting, Plstc, Str, Bm04/Bm06	1
	16	613735	(30000000- 40000000) Clamp, Hose, Wir, .40 - .42, Yel	1
	17	130773	(30000000- 40000000) Tie, Cable, Nyl, 11.0l, .14w, 3.0 Max. D	2
	18	1018155	(30000000- 40000000) Screw, Pan, Phl, M5 X 0.80 X 16, Tcut, Ss	1
	19	1034731	(30000000- 40000000) Screw, Hex, M6 X 1.00 X 16, Sems, Ss	7
	20	140154	(30000000- 40000000) Sleeve, P/M, 0.25b 0.38d 0.3l, PI	1
	21	1209249	(30000000- 40000000) Bracket, Mtg, Ec- H20 Module [T300]	1
	22	1044335	(30000000- 40000000) Switch, Press, 6psi, Pm02	1
	23	150307	(30000000- 40000000) Fitting, Brs, Str, Pf02/Pf02, Cplg	1
	24	1216185	(30000000- 40000000) Fitting, Plstc, Str, Qm04/Pm02	1
	25	1215527	(30000000- 40000000) Valve, Check, 1.0 Psi Qf06/Qf06	1
	26	1212812	(30000000- 40000000) Fitting, Plstc, E90, Qf06/Pm06, Swivel	1
	27	43555	(30000000- 40000000) Clamp, Hose, Wormdrive, 2.62- 3.50d	1
	28	1210517	(30000000- 40000000) Pump, Soltn, Ele, 24vdc, 35 Psi	1
	29	1212812	(30000000- 40000000) Fitting, Plstc, E90, Qf06/Pm06, Swivel	1
	30	1211424	(30000000- 40000000) Valve, Water, Solenoid, 24vdc Qf08/Qf08	1
	31	1205799	(30000000- 40000000) Screw, Btn, M5 X 0.8 X 16, 8.8, NI, Torx	2
	32	54333	(30000000- 40000000) Clamp, Hose, Wormdrive, 0.31- 0.88d, .31w	1
	33	1212807	(30000000- 40000000) Fitting, Plstc, Str, Qm08/Bm08	1
	34	1212806	(30000000- 40000000) Fitting, Plstc, Tee, Qf08/Qf08/Qm08	1
	35	1212987	(30000000- 40000000) Fitting, Plstc, E90, Qf08/Pm06, Swivel	3
	36	9014145	(30000000- 40000000) Hose, Afrmkt, Pe, .375id .50od, 05ft	1
	37	1215218	(30000000- 40000000) Fitting, Plstc, Str, Qf06/Qm08	1
	38	1212875	(30000000- 40000000) Fitting, Plstc, Tee, Qf06/Qf08/Qf08	1
	39	1212808	(30000000- 40000000) Fitting, Plstc, Tee, Qf08/Qf08/Pm06	1
▽	40	1211537	(30000000- 40000000) Filter, In- Line, Pf06/Pf06 080m 2.6l Epd	1
▲		1218885	(30000000- 40000000) Gasket [Epdm, F/1211537]	1
▲		1218883	(30000000- 40000000) Screen, Fltr, 80 Mesh, Ss [W/ Cage]	1
▲		613991	(30000000- 40000000) Bowl, Clr, Short, F/1005302	1

▽ ASSEMBLY

▲ INCLUDED IN ASSEMBLY

SOLUTION GROUP, T300 MODEL ec-H2O & SEVERE ENVIRONMENT - CONT'D

355311



SOLUTION GROUP, T300 MODEL ec-H2O & SEVERE ENVIRONMENT - CONT'D

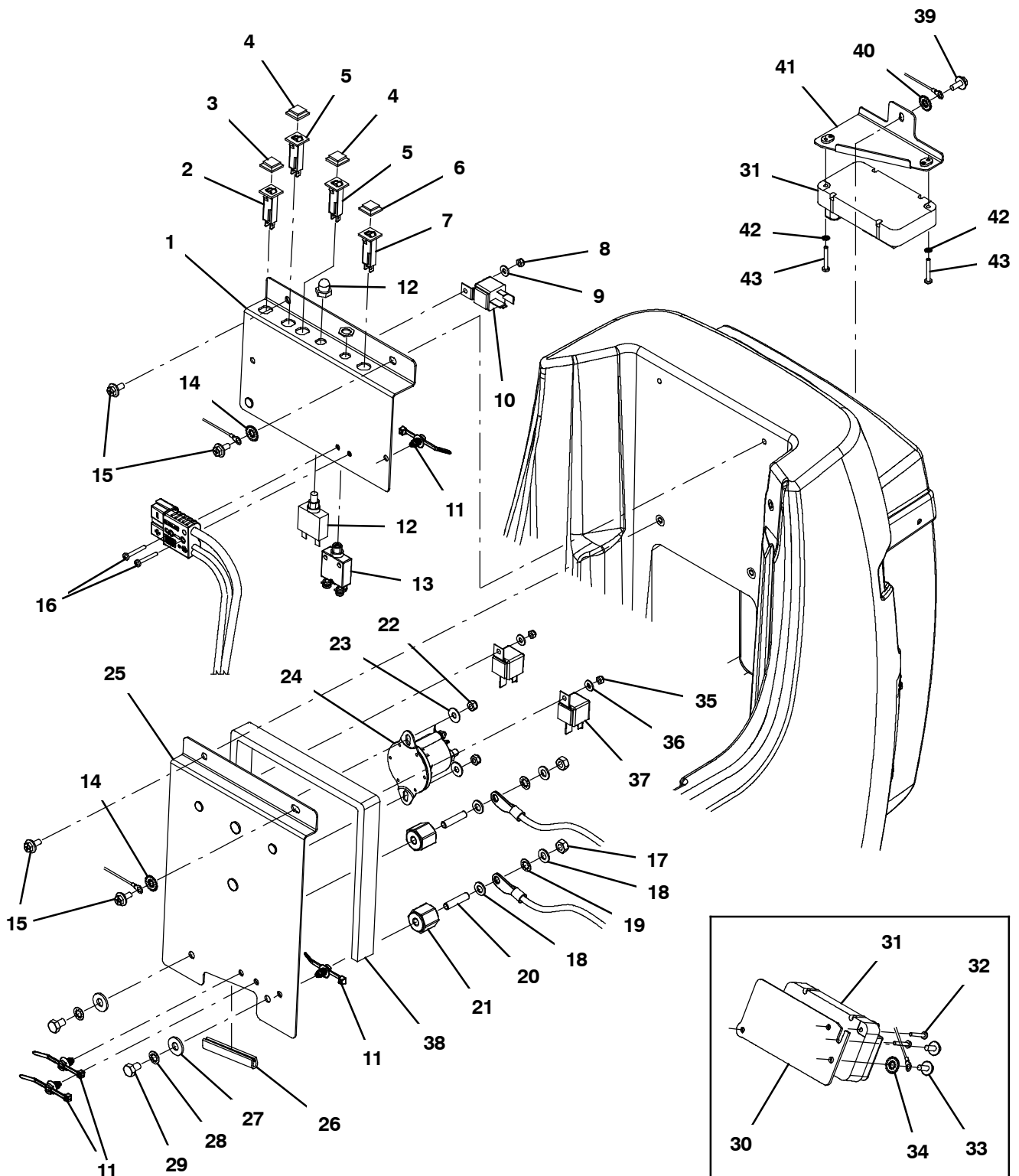
Ref.	Part No.	Serial Number	Description	Qty.
	41	1212810	(30000000- 40000000) Fitting, Plstc, Tee, Qm08/Qf08/Qf08	1
▽	42	1215698	(30000000- 40000000) Pump Assy, Detgt, 24 Vdc [T300]	1
▲		1208721	(30000000- 40000000) Pump, Detgt, 24vdc, 120rpm	1
▲		1219077	(30000000- 40000000) Hose Kit, Detgt [0.5cc]	1
▲	43	1211775	(30000000- 40000000) Potentiometer [5k, W/Leads And Conn.]	1
	44	1212430	(30000000- 40000000) Sensor, Level, Liq, 30watt, Spst	1
	45	1208289	(30000000- 40000000) Tank [1.5 Liter]	1
	46	1210442	(30000000- 40000000) Cap, Tank, 2.25 [Vented]	1
	47	1210437	(30000000- 40000000) Cap, Plstc, 38mm, Elbow Ftg	1
	48	1209151	(30000000- 40000000) Bracket, Mtg, Pump, Detgt	1
	49	609980	(30000000- 40000000) Screw, Trs, Phl, 08- 32 X 0.38, Sems	4
	50	17185	(30000000- 40000000) Screw, Pan, Phl, M5 X 0.80 X 40, Ss	2
	51	1210807	(30000000- 40000000) Wire, Tie [W/.25" Fir Tree Clip]	1
	52	613465	(30000000- 40000000) Hose, Pvc, Clr, 0.12id 0.25od 026.0l	1
	53	630265	(30000000- 40000000) Knob, Rnd, 0.75d 0.50l 0.25b, Plstc	1
	54	222607	(30000000- 40000000) Nut, Hex, Thin, .38- 32	1
	55	43953	(30000000- 40000000) Washer, Lock, Int, 0.38, Ss	1
	56	1074344	(30000000- 40000000) Harness, Ele [Ring With .250m Tail]	1
	57	41140	(30000000- 40000000) Washer, Lock, Int- Ext, 0.25	1
	58	01684	(30000000- 40000000) Washer, Flat, 0.27b 0.69d .05, Ss	1
	59	11329	(30000000- 40000000) Screw, Hex, M6 X 1.00 X 16, NI, Ss	1

▽ ASSEMBLY

▲ INCLUDED IN ASSEMBLY

ELECTRICAL COMPONENTS GROUP, T300e MODEL

355320

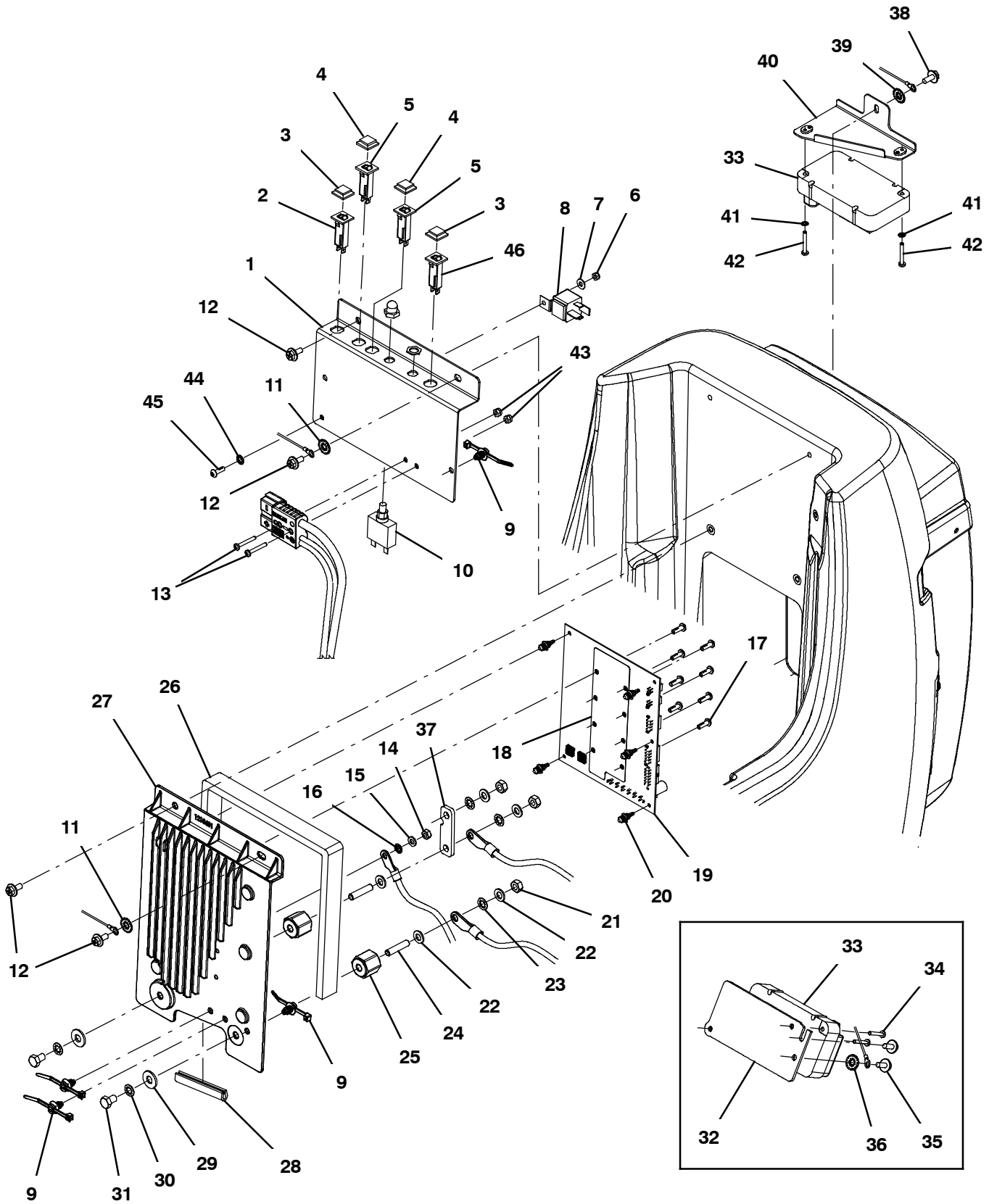


ELECTRICAL COMPONENTS GROUP, T300e MODEL

Ref.	Part No.	Serial Number	Description	Qty.
1	9014188	(30000000- 40000000)	Bracket Wldt, Afmkt, Mtg [Circuitbrkrs]	1
2	1208816	(30000000- 40000000)	Circuitbreaker, 04.0a, Resetable	1
3	1064191	(30000000- 40000000)	Boot, Circuitbreaker	1
4	1064191	(30000000- 40000000)	Boot, Circuitbreaker (ec- H2O Option)	2
5	1208816	(30000000- 40000000)	Circuitbreaker, 04.0a, Resetable (ec- H2O Option)	2
6	1064191	(30000000- 40000000)	Boot, Circuitbreaker	1
7	1064189	(30000000- 40000000)	Circuitbreaker, 20.0a, Resetable	1
8	09739	(30000000- 40000000)	Nut, Hex, Lock, M5 X 0.80, NI, Ss (ec- H2O Option)	1
9	01683	(30000000- 40000000)	Washer, Flat, 10, Ss (ec- H2O Option)	1
10	1012216	(30000000- 40000000)	Relay, 24vdc, 070a, Spst No, Plug- In (ec- H2O Option)	1
11	1210807	(30000000- 40000000)	Wire, Tie [W/.25" Fir Tree Clip]	4
12	383725	(30000000- 40000000)	Circuitbreaker, 30.0a, Resetable (Propel Model)	1
13	1074526	(30000000- 40000000)	Circuitbreaker, 37.0a	1
14	41140	(30000000- 40000000)	Washer, Lock, Int- Ext, 0.25	2
15	1034731	(30000000- 40000000)	Screw, Hex, M6 X 1.00 X 16, Sems, Ss	4
16	33931	(30000000- 40000000)	Screw, Pan, Phl, M4 X 0.70 X 30, Ss	2
17	41361	(30000000- 40000000)	Nut, Hex, Std, M8 X 1.25, Brs	2
18	1209373	(30000000- 40000000)	Washer, Flat, M8.4b X 16d X 1.6, Brs	4
19	43952	(30000000- 40000000)	Washer, Lock, Int, 0.31, Ss	2
20	607461	(30000000- 40000000)	Screw, Set, M8 X 1.25 X 35, NI	2
21	1205345	(30000000- 40000000)	Stand- Off, Wir, M8, Insulator, Panel	2
22	09739	(30000000- 40000000)	Nut, Hex, Lock, M5 X 0.80, NI, Ss	2
23	01684	(30000000- 40000000)	Washer, Flat, 0.27b 0.69d .05, Ss	2
24	1066409	(30000000- 40000000)	Relay, 24vdc, 150a, No [Trombetta]	1
25	1208619	(30000000- 40000000)	Bracket Wldt, Mtg, Ele	1
26	1020174	(30000000- 40000000)	Molding, Afmkt, Trim, Pvc, .08 .11, 03ft	1
27	01685	(30000000- 40000000)	Washer, Flat, 0.38b 0.88d .08, Ss	2
28	32984	(30000000- 40000000)	Washer, Lock, Int, 0.31	2
29	386868	(30000000- 40000000)	Screw, Hex, M8 X 1.25 X 12, Ss	2
30	1210078	(30000000- 30056701)	Bracket Wldt, Drive (Propel Model)	1
31	9014613	(30000000- 40000000)	Controller Kit, Spd, Ci [T300/E/Ss300] (Propel Model)	1
32	04403	(30000000- 30056701)	Screw, Pan, Phl, M4 X 0.70 X 25, NI, Ss (Propel Model)	2
33	1034731	(30000000- 30056701)	Screw, Hex, M6 X 1.00 X 16, Sems, Ss (Propel Model)	2
34	41140	(30000000- 30056701)	Washer, Lock, Int- Ext, 0.25 (Propel Model)	1
35	09739	(30000000- 40000000)	Nut, Hex, Lock, M5 X 0.80, NI, Ss	2
36	01683	(30000000- 40000000)	Washer, Flat, 10, Ss	2
37	1012216	(30000000- 40000000)	Relay, 24vdc, 070a, Spst No, Plug- In	2
38	1208628	(30000000- 40000000)	Gasket, Cover, Circuitboard	1
39	1034731	(30056702- 40000000)	Screw, Hex, M6 X 1.00 X 16, Sems, Ss	1
40	41140	(30056702- 40000000)	Washer, Lock, Int- Ext, 0.25	1
41	1223824	(30056702- 40000000)	Bracket Wldt, Mtg, Cntrl, [T300/T300e]	1
42	02938	(30056702- 40000000)	Washer, Lock, Int, 08, Ss	2
43	33931	(30056702- 40000000)	Screw, Pan, Phl, M4 X 0.70 X 30, Ss	2

ELECTRICAL COMPONENTS GROUP, T300 MODEL

355401

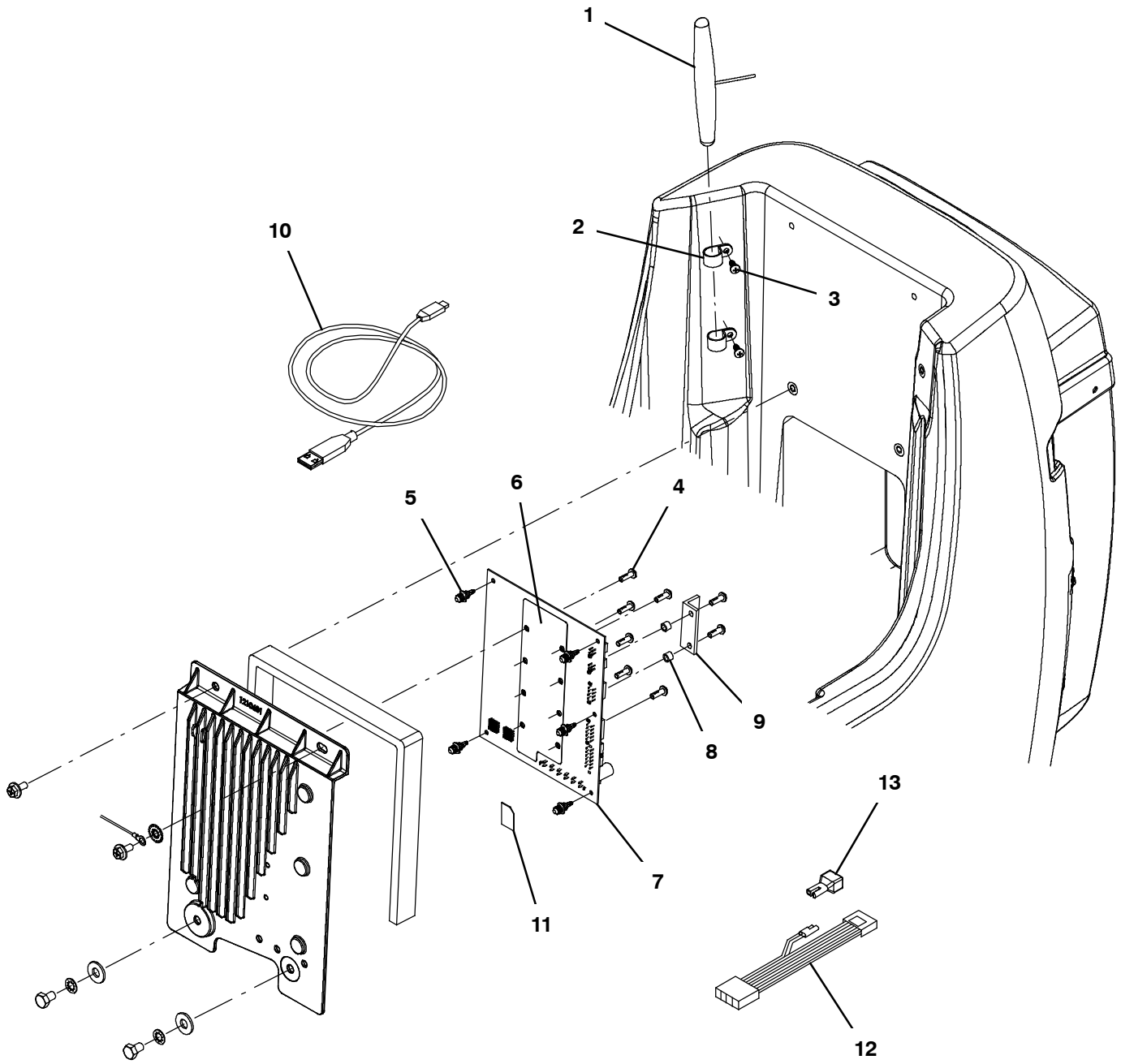


ELECTRICAL COMPONENTS GROUP, T300 MODEL

Ref.	Part No.	Serial Number	Description	Qty.
1	9014188	(30000000- 40000000)	Bracket Wldt, Afmkt, Mtg [Circuitbrkrs]	1
2	1208816	(30000000- 40000000)	Circuitbreaker, 04.0a, Resetable	1
3	1064191	(30000000- 40000000)	Boot, Circuitbreaker	2
4	1064191	(30000000- 40000000)	Boot, Circuitbreaker (ec- H2O Option)	2
5	1208816	(30000000- 40000000)	Circuitbreaker, 04.0a, Resetable (ec- H2O Option)	2
6	09739	(30000000- 40000000)	Nut, Hex, Lock, M5 X 0.80, NI, Ss (ec- H2O Option)	1
7	01683	(30000000- 40000000)	Washer, Flat, 10, Ss (ec- H2O Option)	1
8	1012216	(30000000- 40000000)	Relay, 24vdc, 070a, Spst No, Plug- In (ec- H2O Option)	1
9	1210807	(30000000- 40000000)	Wire, Tie [W/.25" Fir Tree Clip]	4
10	383725	(30000000- 40000000)	Circuitbreaker, 30.0a, Resetable (Propel Model)	1
11	41140	(30000000- 40000000)	Washer, Lock, Int- Ext, 0.25	2
12	1034731	(30000000- 40000000)	Screw, Hex, M6 X 1.00 X 16, Sems, Ss	4
13	33931	(30000000- 40000000)	Screw, Pan, Phl, M4 X 0.70 X 30, Ss	2
14	1061910	(30000000- 40000000)	Nut, Hex, Std, M6 X 1.00, Brs	1
15	1061918	(30000000- 40000000)	Washer, Flat, 0.25b 0.47d .06, Brs	1
16	07515	(30000000- 40000000)	Washer, Lock, Int, 0.25, Ss	1
17	1205799	(30000000- 40000000)	Screw, Btn, M5 X 0.8 X 16, 8.8, NI, Torx	8
18	1210381	(30000000- 40000000)	Circuitboard, Silpad [Vw, Lower]	1
19	1210736	(30000000- 40000000)	Circuitboard, Assy [Vw, Controller]	1
20	1209448	(30000000- 40000000)	Standoff, Circuitboard, .25	5
21	41361	(30000000- 40000000)	Nut, Hex, Std, M8 X 1.25, Brs	3
22	1209373	(30000000- 40000000)	Washer, Flat, M8.4b X 16d X 1.6, Brs	5
23	43952	(30000000- 40000000)	Washer, Lock, Int, 0.31, Ss	3
24	607461	(30000000- 40000000)	Screw, Set, M8 X 1.25 X 35, NI	2
25	1205345	(30000000- 40000000)	Stand- Off, Wir, M8, Insulator, Panel	2
26	1208628	(30000000- 40000000)	Gasket, Cover, Circuitboard	1
27	1210631	(30000000- 40000000)	Heatsink, Mtg, Circuitboard, 12.1 X 08.6	1
28	1020174	(30000000- 40000000)	Molding, Afmkt, Trim, Pvc, .08 .11, 03ft	1
29	01685	(30000000- 40000000)	Washer, Flat, 0.38b 0.88d .08, Ss	2
30	32984	(30000000- 40000000)	Washer, Lock, Int, 0.31	2
31	386868	(30000000- 40000000)	Screw, Hex, M8 X 1.25 X 12, Ss	2
32	1210078	(30000000- 30056701)	Bracket Wldt, Drive (Propel Model)	1
33	9014613	(30000000- 40000000)	Controller Kit, Spd, Ci [T300/E/Ss300] (Propel Model)	1
34	04403	(30000000- 30056701)	Screw, Pan, Phl, M4 X 0.70 X 25, NI, Ss (Propel Model)	2
35	1034731	(30000000- 30056701)	Screw, Hex, M6 X 1.00 X 16, Sems, Ss (Propel Model)	2
36	41140	(30000000- 30056701)	Washer, Lock, Int- Ext, 0.25 (Propel Model)	1
37	1212780	(30000000- 40000000)	Busbar, 125a 0.188 0.750w 2.638l	1
38	1034731	(30056702- 40000000)	Screw, Hex, M6 X 1.00 X 16, Sems, Ss	1
39	41140	(30056702- 40000000)	Washer, Lock, Int- Ext, 0.25	1
40	1223824	(30056702- 40000000)	Bracket Wldt, Mtg, Cntrl, [T300/T300e]	1
41	02938	(30056702- 40000000)	Washer, Lock, Int, 08, Ss	2
42	33931	(30056702- 40000000)	Screw, Pan, Phl, M4 X 0.70 X 30, Ss	2
43	02850	(30000000- 40000000)	Nut, Hex, Lock, M4 X 0.70, NI	2
44	07515	(30000000- 40000000)	Washer, Lock, Int, 0.25, Ss	1
45	1205799	(30000000- 40000000)	Screw, Btn, M5 X 0.8 X 16, 8.8, NI, Torx	1
46	1064189	(30000000- 40000000)	Circuitbreaker, 20.0a, Resetable	1

TELEMETRY GROUP, T300 MODEL

355321



TELEMETRY GROUP, T300 MODEL

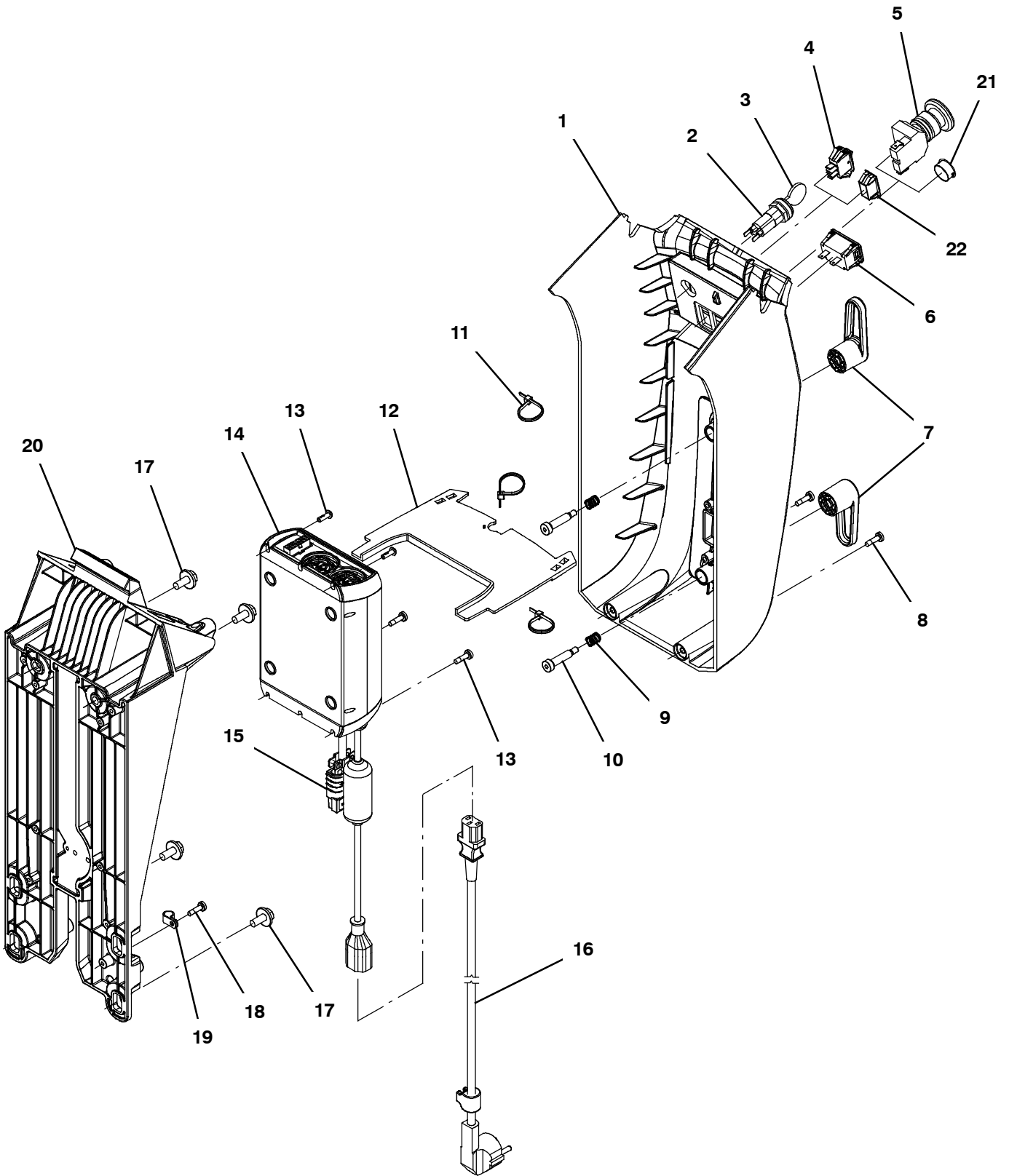
Ref.	Part No.	Serial Number	Description	Qty.	
1	315724	(30000000- 40000000)	Cs, Antenna, Telem, 18.0 In [Gprs]	1	
	768531	(30000000- 40000000)	Sleeve, Heatshrink, 0.38id, 06.0l	1	
2	140916	(30000000- 40000000)	Clamp, Cable, Nyl, 0.62d, Nat	2	
3	1018155	(30000000- 40000000)	Screw, Pan, Phl, M5 X 0.80 X 16, Tcut, Ss	2	
4	1205799	(30000000- 40000000)	Screw, Btn, M5 X 0.8 X 16, 8.8, NI, Torx	9	
5	1209448	(30000000- 40000000)	Standoff, Circuitboard, .25	5	
6	1210381	(30000000- 40000000)	Circuitboard, Silpad [Vw, Lower]	1	
▽	7	9014185	(30000000- 40000000)	Kit, Circuitboard, Telem, Ci [T300]	1
▲		27964	(30000000- 40000000)	Strap, Ground, Static, Disposable	1
▲		130773	(30000000- 40000000)	Tie, Cable, Nyl, 11.0l, .14w, 3.0 Max. D	2
▲	8	1227815	(30000000- 40000000)	Spacer, Unthreaded, Aluminium	2
▲	9	1227812	(30000000- 40000000)	Bracket, Sma Connector	1
▲	10	1071235	(30000000- 40000000)	Cable [Usb, 2m, A- Male To Mini- B- Male]	1
	11	9014187	(30000000- 40000000)	Kit, Telem, Ci [Sim, Intl, T300]	1
▽		9015197	(30000000- 40000000)	Harness Kit, Amii, Ci [T300]	1
▲	12	1075195	(30000000- 40000000)	Harness, Ele, Adaptor [T300, Am2]	1
▲	13	222290	(30000000- 40000000)	Diode, Ele, Plug	1

▽ ASSEMBLY

▲ INCLUDED IN ASSEMBLY

LOWER CONSOLE GROUP, ON-BOARD CHARGER

355377



LOWER CONSOLE GROUP, ON-BOARD CHARGER

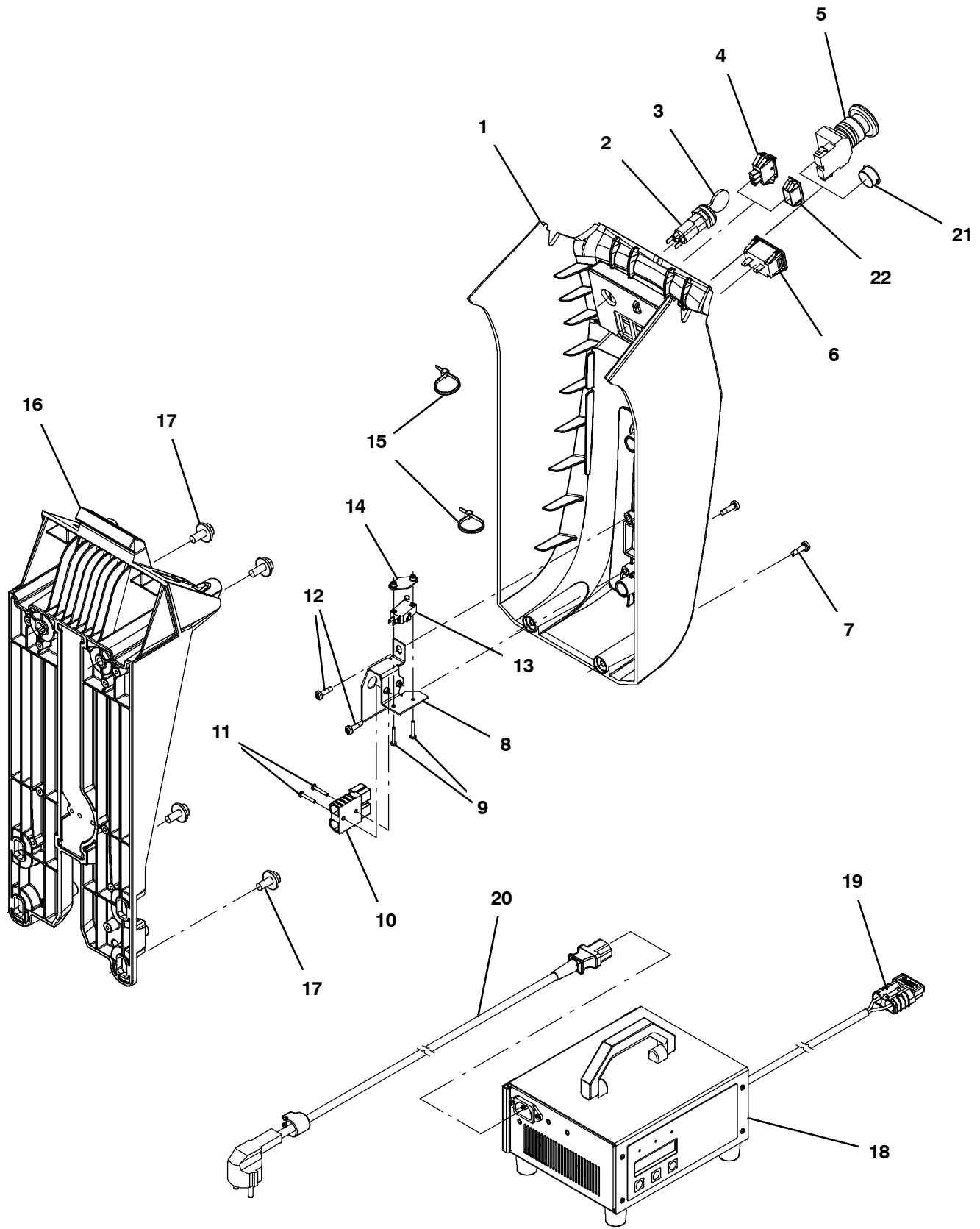
Ref.	Part No.	Serial Number	Description	Qty.
	1	9012791	(30000000- 40000000) Cover, Console, Afmkt, W/ Label [Ce]	1
▽	2	1011402	(30000000- 40000000) Switch, Key	1
▲	3	1017696	(30000000- 40000000) Key Set, Replmt [F/ Keyswitch 1011402]	1
	4	1044393	(30000000- 40000000) Switch, Rocker, Spst Mom (ec- H2O Option)	1
	5	1011735	(30000000- 40000000) Switch, Safety, Shutoff (Propel Model)	1
	6	1064038	(30000000- 40000000) Gauge, Hourmeter, 05- 277 Volt, Ac / Dc	1
	7	1205496	(30000000- 40000000) Hook, Cord	2
	8	1043573	(30056121- 40000000) Screw, #10- 14 X 0.675, Spl[Shcs,Selftap]	2
	8	1205799	(30000000- 30056120) Screw, Btn, M5 X 0.8 X 16, 8.8, NI, Torx	2
	9	611311	(30000000- 40000000) Spring, Cmpr, 0.40od .05wir 00.5l, Pl,Mw	2
	10	1024965	(30000000- 40000000) Bolt, Shld, 08mmd X 030mm, M06 X 1.0	2
	11	130773	(30000000- 40000000) Tie, Cable, Nyl, 11.0l, .14w, 3.0 Max. D	3
	12	1211582	(30000000- 40000000) Cover, Chrgr [Small Spe]	1
	13	1043573	(30056121- 40000000) Screw, #10- 14 X 0.675, Spl[Shcs,Selftap]	4
	13	1205799	(30000000- 30056120) Screw, Btn, M5 X 0.8 X 16, 8.8, NI, Torx	4
▽	14	1225097	(30000000- 40000000) Charger, 24vdc, 100- 240vac, On- Brd, Pse (Japan Only)	1
▲	15	605387	(30000000- 40000000) Connector, Anderson, 050a, Red [W/O Con]	1
	16	1019426	(30000000- 40000000) Cord, Chrgr, Ele, Tj (Japan)	1
▽	14	1219737	(30000000- 40000000) Charger, 24vdc, 100- 240vac, On- Brd, Intl	1
▲	15	605387	(30000000- 40000000) Connector, Anderson, 050a, Red [W/O Con]	1
	16	1026330	(30000000- 40000000) Cord, Power, 1.0mm2 [2.5meter] (China)	1
	16	1026325	(30000000- 40000000) Cord, Power, 1.0mm2/3 Blk[2.5meter, Aus]	1
	16	1048304	(30000000- 40000000) Cord, Power [4.5meter, India, S.Africa]	1
	16	1032849	(30000000- 40000000) Cord, Power, Blk [4.5meter, Ce]	1
	17	1020341	(30000000- 40000000) Screw, Hex, M8 X 1.25 X 20, Ss, Sems	4
	18	1043573	(30056121- 40000000) Screw, #10- 14 X 0.675, Spl[Shcs,Selftap]	1
	18	1205799	(30000000- 30056120) Screw, Btn, M5 X 0.8 X 16, 8.8, NI, Torx	1
	19	26395- 2	(30000000- 40000000) Clamp, Cable, Stl, 0.38d X 0.38w, 1hole	1
	20	1211903	(30056121- 40000000) Frame, Column, Cntrl [Im]	1
	20	1216531	(30000000- 30056120) Frame, Column, Cntrl [Revised Machined]	1
	21	130161	(30000000- 40000000) Plug, Hole, Rnd, 0.88d, Blk (Push Model)	1
	22	582150	(30000000- 40000000) Plug, Hole, Rt, 1.23 X 1.12, Nyl (Standard Model)	1

▽ ASSEMBLY

▲ INCLUDED IN ASSEMBLY

LOWER CONSOLE GROUP, OFF-BOARD CHARGER

355378



LOWER CONSOLE GROUP, OFF- BOARD CHARGER

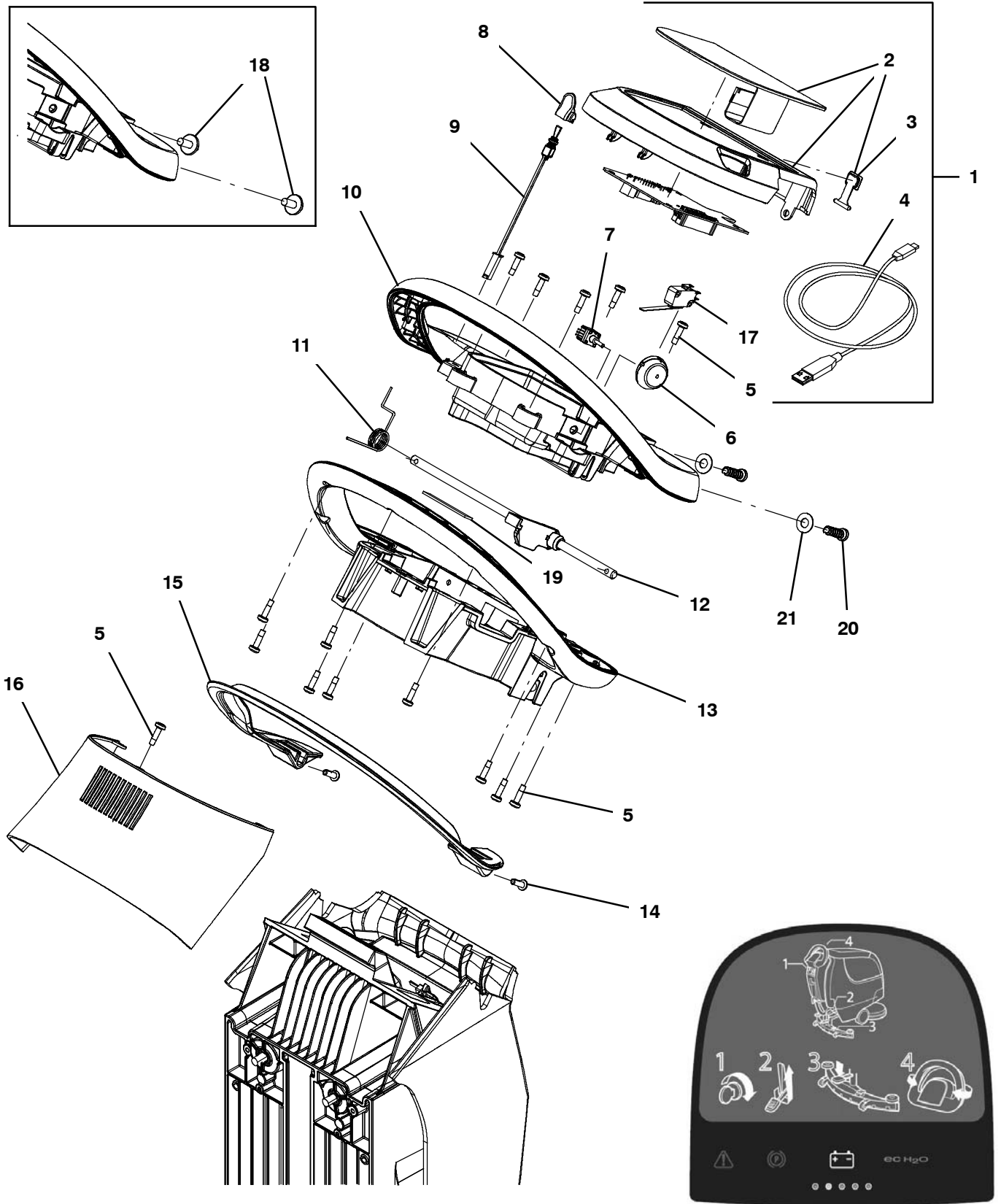
Ref.	Part No.	Serial Number	Description	Qty.
	1	9012791	(30000000- 40000000) Cover, Console, Afmkt, W/ Label [Ce]	1
▽	2	1011402	(30000000- 40000000) Switch, Key	1
▲	3	1017696	(30000000- 40000000) Key Set, Replmt [F/ Keyswitch 1011402]	1
	4	1044393	(30000000- 40000000) Switch, Rocker, Spst Mom (ec- H2O Option)	1
	5	1011735	(30000000- 40000000) Switch, Safety, Shutoff (Propel Model)	1
	6	1064038	(30000000- 40000000) Gauge, Hourmeter, 05- 277 Volt, Ac / Dc	1
	7	1043573	(30056121- 40000000) Screw, #10- 14 X 0.675, Spl[Shcs,Selftap]	2
	7	1205799	(30000000- 30056120) Screw, Btn, M5 X 0.8 X 16, 8.8, NI, Torx	2
	8	1208599	(30000000- 40000000) Bracket Assy, Plug, Charger	1
	9	06922	(30000000- 40000000) Screw, Pan, Phl, M3 X 0.50 X 20, 4.8	2
	10	605387	(30000000- 40000000) Connector, Anderson, 050a, Red [W/O Con]	1
	11	06922	(30000000- 40000000) Screw, Pan, Phl, M3 X 0.50 X 20, 4.8	2
	12	1043573	(30000000- 40000000) Screw, #10- 14 X 0.675, Spl[Shcs,Selftap]	2
	13	1215716	(30000000- 40000000) Switch, 0.1a, Spdt[Micro, Gold Contacts]	1
	14	1013705	(30000000- 40000000) Plate, Thread, Switch, M3 Nut, 96hr PI	1
	15	130773	(30000000- 40000000) Tie, Cable, Nyl, 11.0l, .14w, 3.0 Max. D	2
	16	1211903	(30056121- 40000000) Frame, Column, Cntrl [Im]	1
	16	1216531	(30000000- 30056120) Frame, Column, Cntrl [Revised Machined]	1
	17	1020341	(30000000- 40000000) Screw, Hex, M8 X 1.25 X 20, Ss, Sems	4
▽	18	1212837	(30000000- 40000000) Charger, 24vdc, 13a 85- 265vac [Offboard]	1
▲	19	605387	(30000000- 40000000) Connector, Anderson, 050a, Red [W/O Con]	1
	20	1032849	(30000000- 40000000) Cord, Power, Blk [4.5meter, Ce]	1
	20	1019426	(30000000- 40000000) Cord, Chrgr, Ele, Tj (Japan)	1
	20	1026330	(30000000- 40000000) Cord, Power, 1.0mm2 [2.5meter] (China)	1
	20	1026325	(30000000- 40000000) Cord, Power, 1.0mm2/3 Blk[2.5meter, Aus]	1
	20	1048304	(30000000- 40000000) Cord, Power [4.5meter, India, S.Africa]	1
	21	130161	(30000000- 40000000) Plug, Hole, Rnd, 0.88d, Blk (Push Model)	1
	22	582150	(30000000- 40000000) Plug, Hole, Rt, 1.23 X 1.12, Nyl (Standard Model)	1

▽ ASSEMBLY

▲ INCLUDED IN ASSEMBLY

HANDLE GROUP, T300e MEMBRANE, PROPEL

355326



HANDLE GROUP, T300e MEMBRANE, PROPEL

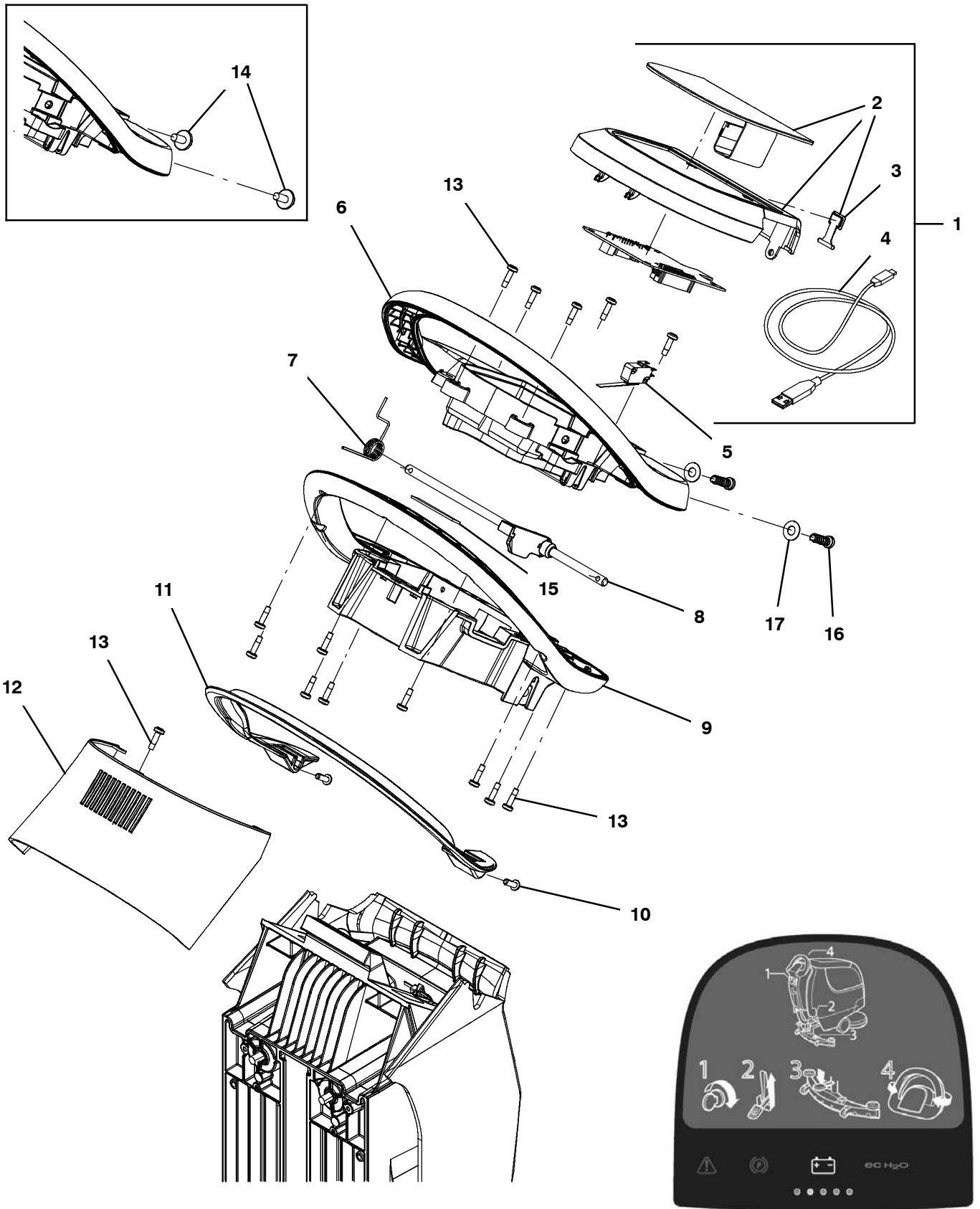
Ref.	Part No.	Serial Number	Description	Qty.
▽	1	9014131	(30000000- 40000000) Bezel Kit, Propel, Membrane, Ci [T300e/S (Kit Includes Circuitboard)	1
▲▽	2	9014137	(30000000- 40000000) Screen Kit, Propel, Memb., Ci [T300e/Ss]	1
▲▲	3	1205618	(30000000- 40000000) Cap, Usb	1
▲	4	1071235	(30000000- 40000000) Cable [Usb, 2m, A- Male To Mini- B- Male]	1
	5	1043573	(30000000- 40000000) Screw, #10- 14 X 0.675, Spl[Shcs,Selftap]	15
	6	1206586	(30000000- 40000000) Dial, Range, Speed	1
	7	1204930	(30000000- 40000000) Potentiometer [100k, 1 Turn, B5/B7]	1
	8	1209730	(30000000- 40000000) Cap, Toggle, Direction	1
	9	1209673	(30000000- 40000000) Switch Assy, Toggle, Direction	1
	10	1203787	(30000000- 40000000) Housing, Handle, Cntrl, Top	1
	11	1205781	(30000000- 40000000) Spring, Return, Bail	1
	12	1205143	(30000000- 40000000) Shaft Assy, Bail, Handle	1
	13	1222608	(30000000- 40000000) Housing, Handle, Cntrl, Bottom, Slotted	1
	14	1205799	(30000000- 40000000) Screw, Btn, M5 X 0.8 X 16, 8.8, NI, Torx	2
	15	1205778	(30000000- 40000000) Handle, Bail [Machined]	1
	16	9015305	(30000000- 40000000) Cover Kit, Handle, Cntrl (Kit Includes Label)	1
	17	1205323	(30000000- 40000000) Switch, 0.1a, Spdt [Micro, Straight]	1
	18	1020341	(30000000- 30056120) Screw, Hex, M8 X 1.25 X 20, Ss, Sems	2
	19	1020280	(30000000- 40000000) Seal, Afmkt, Rbr, Clsd, Adh, 01ft	1
	20	1215863	(30056121- 40000000) Screw, Pan, Torx, M8 X 3.5 X 25[Remform]	2
	21	140027	(30056121- 40000000) Washer, Flat, 0.35b 0.75d .04, Ss	2
	N/S	1072524	(30000000- 40000000) Harness, Ele [Bail Switch]	1

▽ ASSEMBLY

▲ INCLUDED IN ASSEMBLY

HANDLE GROUP, T300e MEMBRANE, PUSH

355327



HANDLE GROUP, T300e MEMBRANE, PUSH

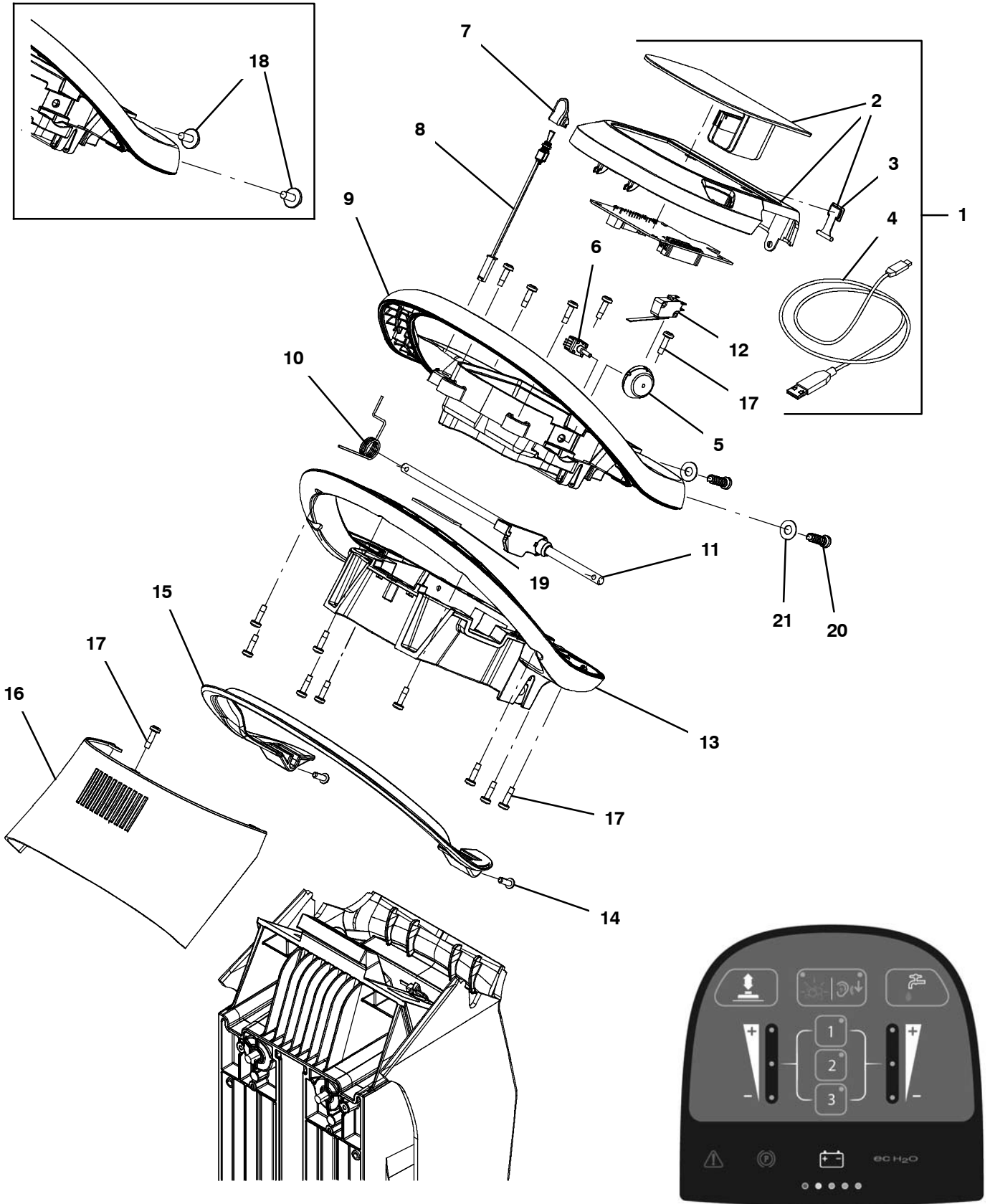
Ref.	Part No.	Serial Number	Description	Qty.
▽	1	9014130	(30000000- 40000000) Bezel Kit, Push, Membrane, Ci [T300e/Ss] (Kit Includes Circuitboard)	1
▲▽	2	9014136	(30000000- 40000000) Screen Kit, Push, Memb., Ci [T300e/Ss]	1
▲▲	3	1205618	(30000000- 40000000) Cap, Usb	1
▲	4	1071235	(30000000- 40000000) Cable [Usb, 2m, A- Male To Mini- B- Male]	1
	5	1205323	(30000000- 40000000) Switch, 0.1a, Spdt [Micro, Straight]	1
	6	1203787	(30000000- 40000000) Housing, Handle, Cntrl, Top	1
	7	1205781	(30000000- 40000000) Spring, Return, Bail	1
	8	1205143	(30000000- 40000000) Shaft Assy, Bail, Handle	1
	9	1222608	(30000000- 40000000) Housing, Handle, Cntrl, Bottom, Slotted	1
	10	1205799	(30000000- 40000000) Screw, Btn, M5 X 0.8 X 16, 8.8, NI, Torx	2
	11	1205778	(30000000- 40000000) Handle, Bail [Machined]	1
	12	9015305	(30000000- 40000000) Cover Kit, Handle, Cntrl (Kit Includes Label)	1
	13	1043573	(30000000- 40000000) Screw, #10- 14 X 0.675, Spl[Shcs,Selftap]	15
	14	1020341	(30000000- 30056120) Screw, Hex, M8 X 1.25 X 20, Ss, Sems	2
	15	1020280	(30000000- 40000000) Seal, Afmkt, Rbr, Clsd, Adh, 01ft	1
	16	1215863	(30056121- 40000000) Screw, Pan, Torx, M8 X 3.5 X 25[Remform]	2
	17	140027	(30056121- 40000000) Washer, Flat, 0.35b 0.75d .04, Ss	2
	N/S	1072524	(30000000- 40000000) Harness, Ele [Bail Switch]	1

▽ ASSEMBLY

▲ INCLUDED IN ASSEMBLY

HANDLE GROUP, T300 PRO-MEMBRANE, PROPEL, ACTUATED DOWN PRESSURE

355324



HANDLE GROUP, T300 PRO-MEMBRANE, PROPEL, ACTUATED DOWN PRESSURE

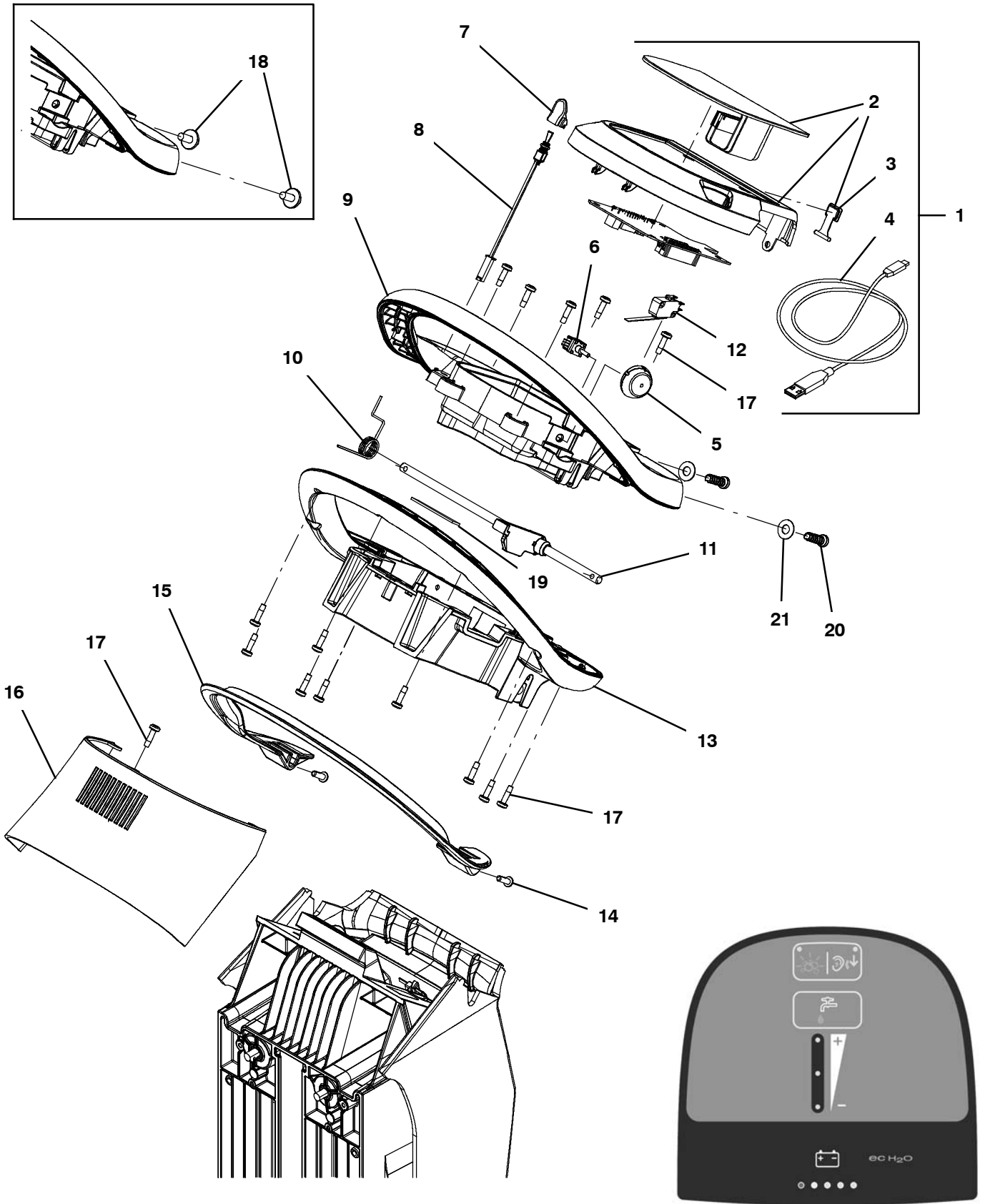
Ref.	Part No.	Serial Number	Description	Qty.
▽	1	9014133	(30000000- 40000000) Bezel Kit, Propel, Promembrane, Ci[T300] (Kit Includes Circuitboard)	1
▲▽	2	9014139	(30000000- 40000000) Screen Kit, Propel, Pro- Membrn, Ci[T300]	1
▲▲	3	1205618	(30000000- 40000000) Cap, Usb	1
▲	4	1071235	(30000000- 40000000) Cable [Usb, 2m, A- Male To Mini- B- Male]	1
	5	1206586	(30000000- 40000000) Dial, Range, Speed	1
	6	1204930	(30000000- 40000000) Potentiometer [100k, 1 Turn, B5/B7]	1
	7	1209730	(30000000- 40000000) Cap, Toggle, Direction	1
	8	1209673	(30000000- 40000000) Switch Assy, Toggle, Direction	1
	8	1203787	(30000000- 40000000) Housing, Handle, Cntrl, Top	1
	10	1205781	(30000000- 40000000) Spring, Return, Bail	1
	11	1205143	(30000000- 40000000) Shaft Assy, Bail, Handle	1
	12	1205323	(30000000- 40000000) Switch, 0.1a, Spdt [Micro, Straight]	1
	13	1222608	(30000000- 40000000) Housing, Handle, Cntrl, Bottom, Slotted	1
	14	1205799	(30000000- 40000000) Screw, Btn, M5 X 0.8 X 16, 8.8, NI, Torx	2
	15	1205778	(30000000- 40000000) Handle, Bail [Machined]	1
	16	9015305	(30000000- 40000000) Cover Kit, Handle, Cntrl (Kit Includes Label)	1
	17	1043573	(30000000- 40000000) Screw, #10- 14 X 0.675, Spl[Shcs,Selftap]	15
	18	1020341	(30000000- 30056120) Screw, Hex, M8 X 1.25 X 20, Ss, Sems	2
	19	1020280	(30000000- 40000000) Seal, Afmkt, Rbr, Clsd, Adh, 01ft	1
	20	1215863	(30056121- 40000000) Screw, Pan, Torx, M8 X 3.5 X 25[Remform]	2
	21	140027	(30056121- 40000000) Washer, Flat, 0.35b 0.75d .04, Ss	2
	N/S	1072524	(30000000- 40000000) Harness, Ele [Bail Switch]	1

▽ ASSEMBLY

▲ INCLUDED IN ASSEMBLY

HANDLE GROUP, T300 MEMBRANE, PROPEL, MANUAL DOWN PRESSURE

355324



HANDLE GROUP, T300 MEMBRANE, PROPEL, MANUAL DOWN PRESSURE

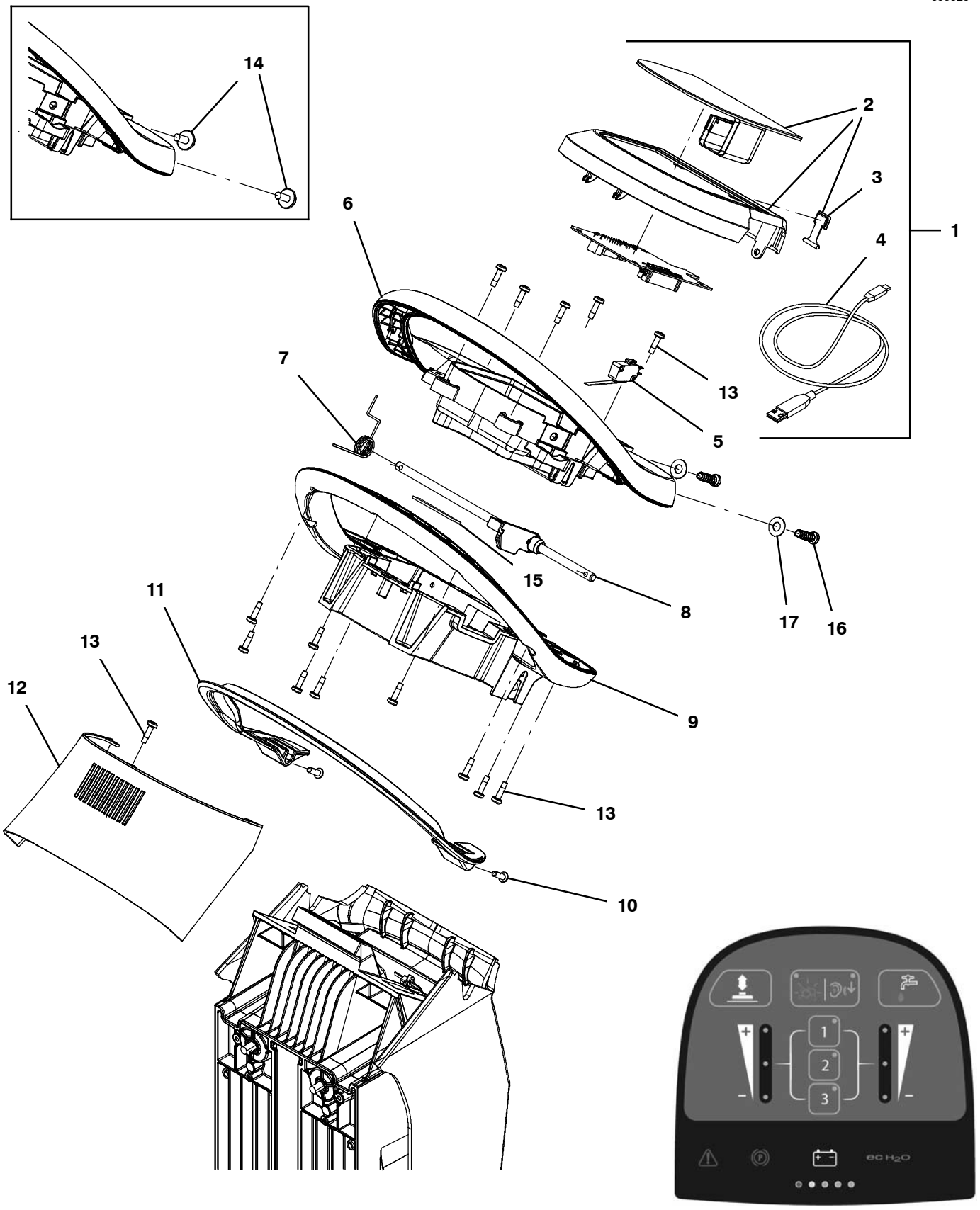
Ref.	Part No.	Serial Number	Description	Qty.
▽	1	9014815	(30000000- 40000000) Bezel Kit, Propel, Membrane,Std,Ci[T300] (Kit Includes Circuitboard)	1
▲▽	2	9014817	(30000000- 40000000) Screen Kit, Propel,Membrane,Std,Ci[T300]	1
▲▲	3	1205618	(30000000- 40000000) Cap, Usb	1
▲	4	1071235	(30000000- 40000000) Cable [Usb, 2m, A- Male To Mini- B- Male]	1
	5	1206586	(30000000- 40000000) Dial, Range, Speed	1
	6	1204930	(30000000- 40000000) Potentiometer [100k, 1 Turn, B5/B7]	1
	7	1209730	(30000000- 40000000) Cap, Toggle, Direction	1
	8	1209673	(30000000- 40000000) Switch Assy, Toggle, Direction	1
	9	1203787	(30000000- 40000000) Housing, Handle, Cntrl, Top	1
	10	1205781	(30000000- 40000000) Spring, Return, Bail	1
	11	1205143	(30000000- 40000000) Shaft Assy, Bail, Handle	1
	12	1205323	(30000000- 40000000) Switch, 0.1a, Spdt [Micro, Straight]	1
	13	1222608	(30000000- 40000000) Housing, Handle, Cntrl, Bottom, Slotted	1
	14	1205799	(30000000- 40000000) Screw, Btn, M5 X 0.8 X 16, 8.8, NI, Torx	2
	15	1205778	(30000000- 40000000) Handle, Bail [Machined]	1
	16	9015305	(30000000- 40000000) Cover Kit, Handle, Cntrl (Kit Includes Label)	1
	17	1043573	(30000000- 40000000) Screw, #10- 14 X 0.675, Spl[Shcs,Selftap]	15
	18	1020341	(30000000- 30056120) Screw, Hex, M8 X 1.25 X 20, Ss, Sems	2
	19	1020280	(30000000- 40000000) Seal, Afmkt, Rbr, Clsd, Adh, 01ft	1
	20	1215863	(30056121- 40000000) Screw, Pan, Torx, M8 X 3.5 X 25[Remform]	2
	21	140027	(30056121- 40000000) Washer, Flat, 0.35b 0.75d .04, Ss	2
	N/S	1072524	(30000000- 40000000) Harness, Ele [Bail Switch]	1

▽ ASSEMBLY

▲ INCLUDED IN ASSEMBLY

HANDLE GROUP, T300 PRO-MEMBRANE, PUSH, ACTUATED DOWN PRESSURE

355325



HANDLE GROUP, T300 PRO-MEMBRANE, PUSH, ACTUATED DOWN PRESSURE

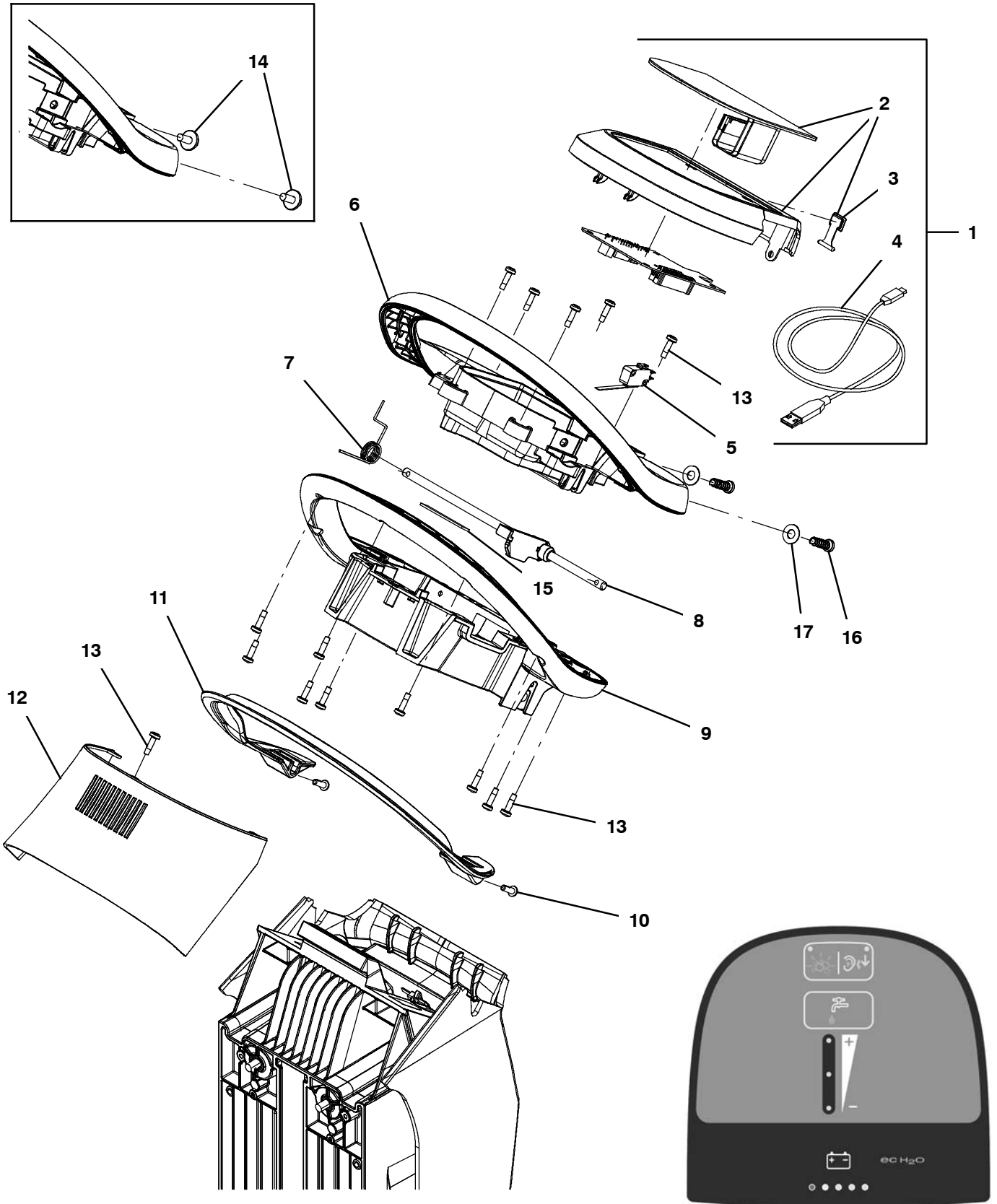
Ref.	Part No.	Serial Number	Description	Qty.
▽	1	9014132	(30000000- 40000000) Bezel Kit, Push, Pro- Membrane, Ci [T300] (Kit Includes Circuitboard)	1
▲▽	2	9014138	(30000000- 40000000) Screen Kit, Push, Pro- Membrn, Ci[T300]	1
▲▲	3	1205618	(30000000- 40000000) Cap, Usb	1
▲	4	1071235	(30000000- 40000000) Cable [Usb, 2m, A- Male To Mini- B- Male]	1
	5	1205323	(30000000- 40000000) Switch, 0.1a, Spdt [Micro, Straight]	1
	6	1203787	(30000000- 40000000) Housing, Handle, Cntrl, Top	1
	7	1205781	(30000000- 40000000) Spring, Return, Bail	1
	8	1205143	(30000000- 40000000) Shaft Assy, Bail, Handle	1
	9	1222608	(30000000- 40000000) Housing, Handle, Cntrl, Bottom, Slotted	1
	10	1205799	(30000000- 40000000) Screw, Btn, M5 X 0.8 X 16, 8.8, NI, Torx	2
	11	1205778	(30000000- 40000000) Handle, Bail [Machined]	1
	12	9015305	(30000000- 40000000) Cover Kit, Handle, Cntrl (Kit Includes Label)	1
	13	1043573	(30000000- 40000000) Screw, #10- 14 X 0.675, Spl[Shcs,Selftap]	15
	14	1020341	(30000000- 30056120) Screw, Hex, M8 X 1.25 X 20, Ss, Sems	2
	15	1020280	(30000000- 40000000) Seal, Afmkt, Rbr, Clsd, Adh, 01ft	1
	16	1215863	(30056121- 40000000) Screw, Pan, Torx, M8 X 3.5 X 25[Remform]	2
	17	140027	(30056121- 40000000) Washer, Flat, 0.35b 0.75d .04, Ss	2
	N/S	1072524	(30000000- 40000000) Harness, Ele [Bail Switch]	1

▽ ASSEMBLY

▲ INCLUDED IN ASSEMBLY

HANDLE GROUP, T300 MEMBRANE, PUSH, MANUAL DOWN PRESSURE

355325



HANDLE GROUP, T300 MEMBRANE, PUSH, MANUAL DOWN PRESSURE

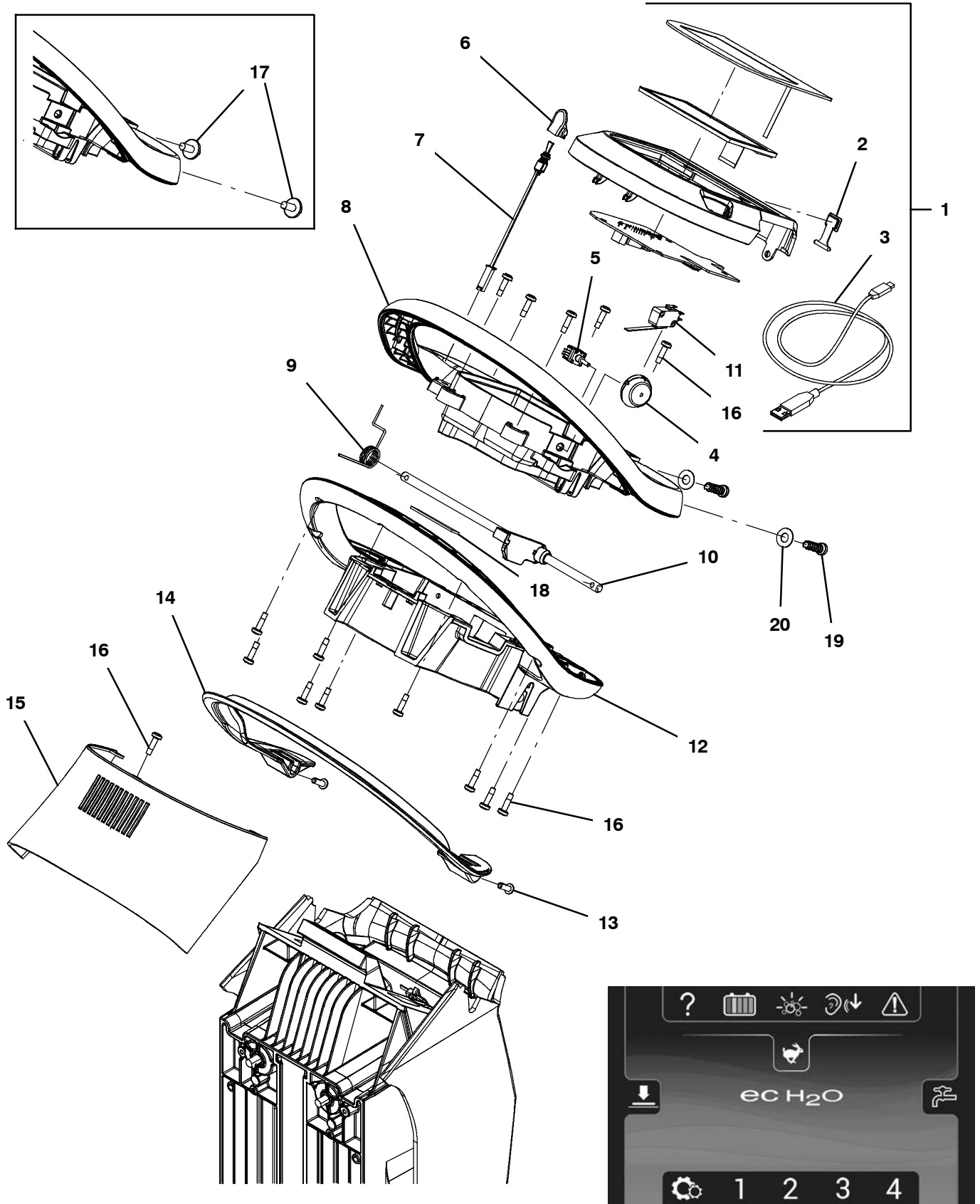
Ref.	Part No.	Serial Number	Description	Qty.
▽	1	9014814	(30000000- 40000000) Bezel Kit, Push, Membrane, Std, Ci[T300] (Kit Includes Circuitboard)	1
▲▽	2	9014816	(30000000- 40000000) Screen Kit, Push, Membrane, Std,Ci[T300]	1
▲▲	3	1205618	(30000000- 40000000) Cap, Usb	1
▲	4	1071235	(30000000- 40000000) Cable [Usb, 2m, A- Male To Mini- B- Male]	1
	5	1205323	(30000000- 40000000) Switch, 0.1a, Spdt [Micro, Straight]	1
	6	1203787	(30000000- 40000000) Housing, Handle, Cntrl, Top	1
	7	1205781	(30000000- 40000000) Spring, Return, Bail	1
	8	1205143	(30000000- 40000000) Shaft Assy, Bail, Handle	1
	9	1222608	(30000000- 40000000) Housing, Handle, Cntrl, Bottom, Slotted	1
	10	1205799	(30000000- 40000000) Screw, Btn, M5 X 0.8 X 16, 8.8, NI, Torx	2
	11	1205778	(30000000- 40000000) Handle, Bail [Machined]	1
	12	9015305	(30000000- 40000000) Cover Kit, Handle, Cntrl (Kit Includes Label)	1
	12	1043573	(30000000- 40000000) Screw, #10- 14 X 0.675, Spl[Shcs,Selftap]	15
	14	1020341	(30000000- 30056120) Screw, Hex, M8 X 1.25 X 20, Ss, Sems	2
	15	1020280	(30000000- 40000000) Seal, Afmkt, Rbr, Clsd, Adh, 01ft	1
	16	1215863	(30056121- 40000000) Screw, Pan, Torx, M8 X 3.5 X 25[Remform]	2
	17	140027	(30056121- 40000000) Washer, Flat, 0.35b 0.75d .04, Ss	2
	N/S	1072524	(30000000- 40000000) Harness, Ele [Bail Switch]	1

▽ ASSEMBLY

▲ INCLUDED IN ASSEMBLY

HANDLE GROUP, T300 PRO-PANEL (LCD), PROPEL

355322



HANDLE GROUP, T300 PRO-PANEL (LCD), PROPEL

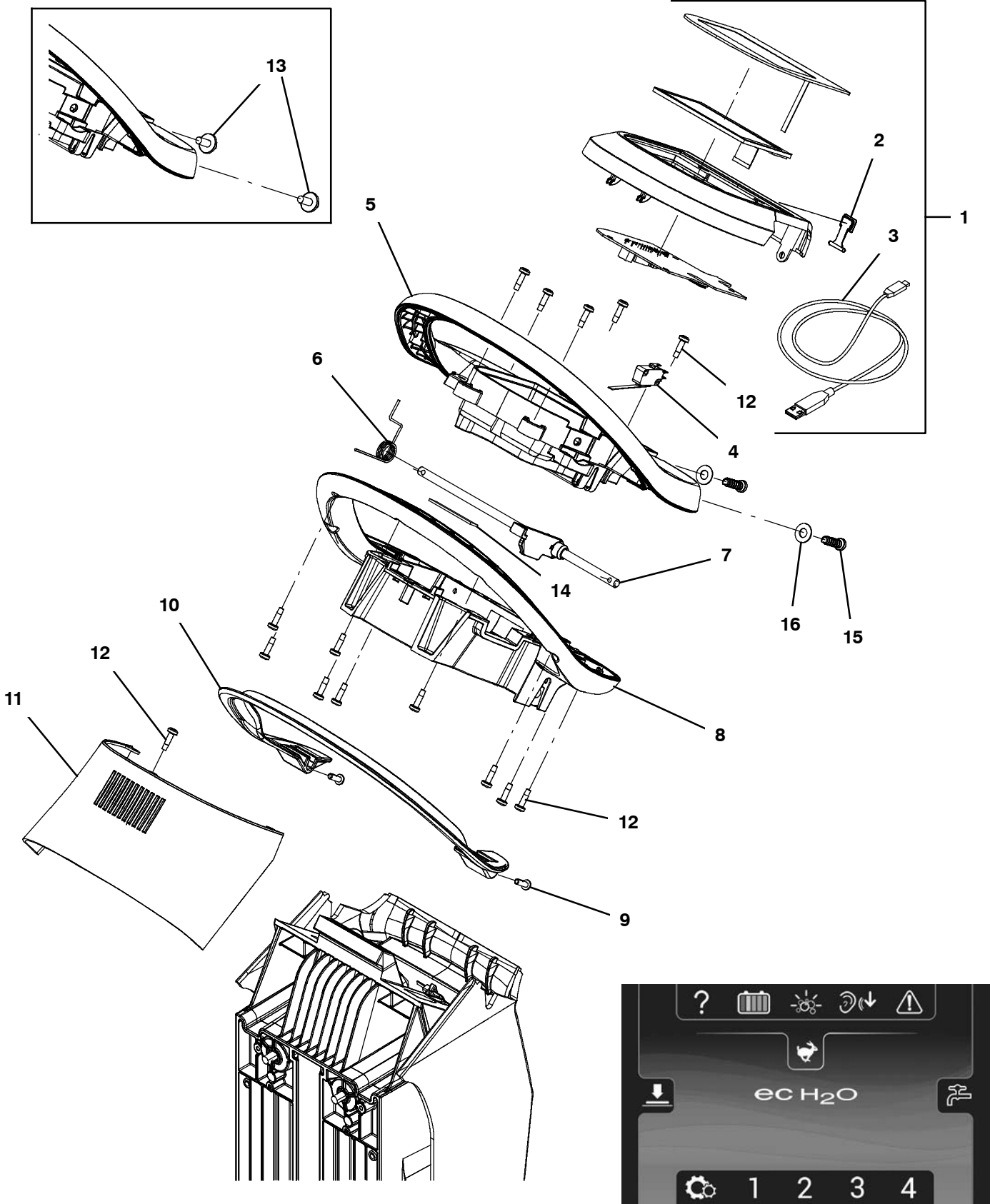
Ref.	Part No.	Serial Number	Description	Qty.
▽	1	9014135	(30000000- 40000000) Bezel Kit, Propel, Lcd Pro- Panel,Ci[T300] (Kit Includes Circuitboard)	1
▲	2	1205618	(30000000- 40000000) Cap, Usb	1
▲	3	1071235	(30000000- 40000000) Cable [Usb, 2m, A- Male To Mini- B- Male]	1
	4	1206586	(30000000- 40000000) Dial, Range, Speed	1
	5	1204930	(30000000- 40000000) Potentiometer [100k, 1 Turn, B5/B7]	1
	6	1209730	(30000000- 40000000) Cap, Toggle, Direction	1
	7	1209673	(30000000- 40000000) Switch Assy, Toggle, Direction	1
	8	1203787	(30000000- 40000000) Housing, Handle, Cntrl, Top	1
	9	1205781	(30000000- 40000000) Spring, Return, Bail	1
	10	1205143	(30000000- 40000000) Shaft Assy, Bail, Handle	1
	11	1205323	(30000000- 40000000) Switch, 0.1a, Spdt [Micro, Straight]	1
	12	1222608	(30000000- 40000000) Housing, Handle, Cntrl, Bottom, Slotted	1
	13	1205799	(30000000- 40000000) Screw, Btn, M5 X 0.8 X 16, 8.8, NI, Torx	2
	14	1205778	(30000000- 40000000) Handle, Bail [Machined]	1
	15	9015305	(30000000- 40000000) Cover Kit, Handle, Cntrl (Kit Includes Label)	1
	16	1043573	(30000000- 40000000) Screw, #10- 14 X 0.675, Spl[Shcs,Selftap]	15
	17	1020341	(30000000- 30056120) Screw, Hex, M8 X 1.25 X 20, Ss, Sems	2
	18	1020280	(30000000- 40000000) Seal, Afmkt, Rbr, Clsd, Adh, 01ft	1
	19	1215863	(30056121- 40000000) Screw, Pan, Torx, M8 X 3.5 X 25[Remform]	2
	20	140027	(30056121- 40000000) Washer, Flat, 0.35b 0.75d .04, Ss	2
	N/S	1072524	(30000000- 40000000) Harness, Ele [Bail Switch]	1

▽ ASSEMBLY

▲ INCLUDED IN ASSEMBLY

HANDLE GROUP, T300 PRO-PANEL (LCD), PUSH

355323



HANDLE GROUP, T300 PRO-PANEL (LCD), PUSH

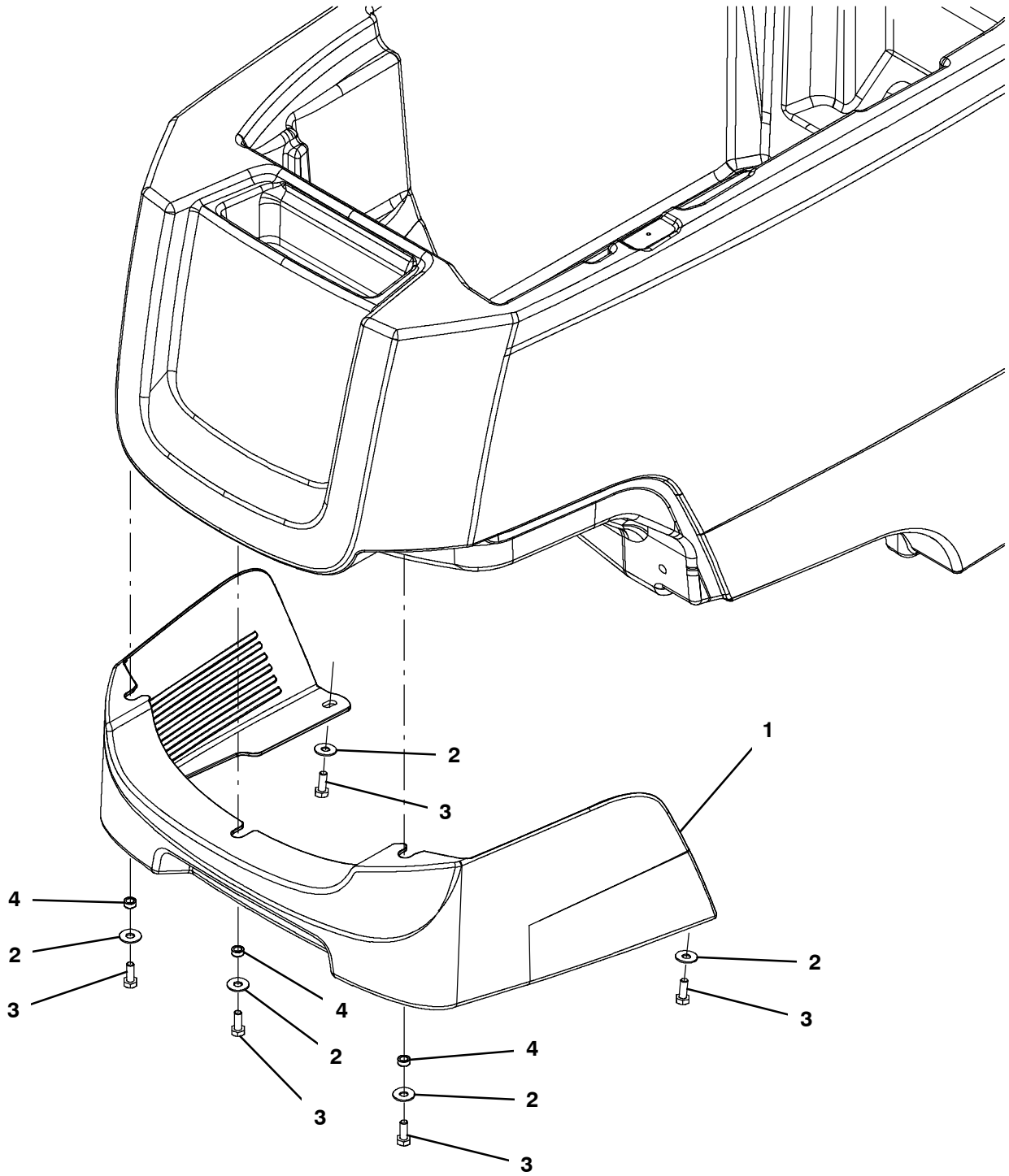
Ref.	Part No.	Serial Number	Description	Qty.
▽	1	9014134	(30000000- 40000000) Bezel Kit, Push, Lcd Pro- Panl, Ci [T300] (Kit Includes Circuitboard)	1
▲	2	1205618	(30000000- 40000000) Cap, Usb	1
▲	3	1071235	(30000000- 40000000) Cable [Usb, 2m, A- Male To Mini- B- Male]	1
	4	1205323	(30000000- 40000000) Switch, 0.1a, Spdt [Micro, Straight]	1
	5	1203787	(30000000- 40000000) Housing, Handle, Cntrl, Top	1
	6	1205781	(30000000- 40000000) Spring, Return, Bail	1
	7	1205143	(30000000- 40000000) Shaft Assy, Bail, Handle	1
	8	1222608	(30000000- 40000000) Housing, Handle, Cntrl, Bottom, Slotted	1
	9	1205799	(30000000- 40000000) Screw, Btn, M5 X 0.8 X 16, 8.8, NI, Torx	2
	10	1205778	(30000000- 40000000) Handle, Bail [Machined]	1
	11	9015305	(30000000- 40000000) Cover Kit, Handle, Cntrl (Kit Includes Label)	1
	12	1043573	(30000000- 40000000) Screw, #10- 14 X 0.675, Spl[Shcs,Selftap]	15
	13	1020341	(30000000- 30056120) Screw, Hex, M8 X 1.25 X 20, Ss, Sems	2
	14	1020280	(30000000- 40000000) Seal, Afmkt, Rbr, Clsd, Adh, 01ft	1
	15	1215863	(30056121- 40000000) Screw, Pan, Torx, M8 X 3.5 X 25[Remform]	2
	16	140027	(30056121- 40000000) Washer, Flat, 0.35b 0.75d .04, Ss	2
	N/S	1072524	(30000000- 40000000) Harness, Ele [Bail Switch]	1

▽ ASSEMBLY

▲ INCLUDED IN ASSEMBLY

SHROUD GROUP, DISK AND ORBITAL HEAD

355299

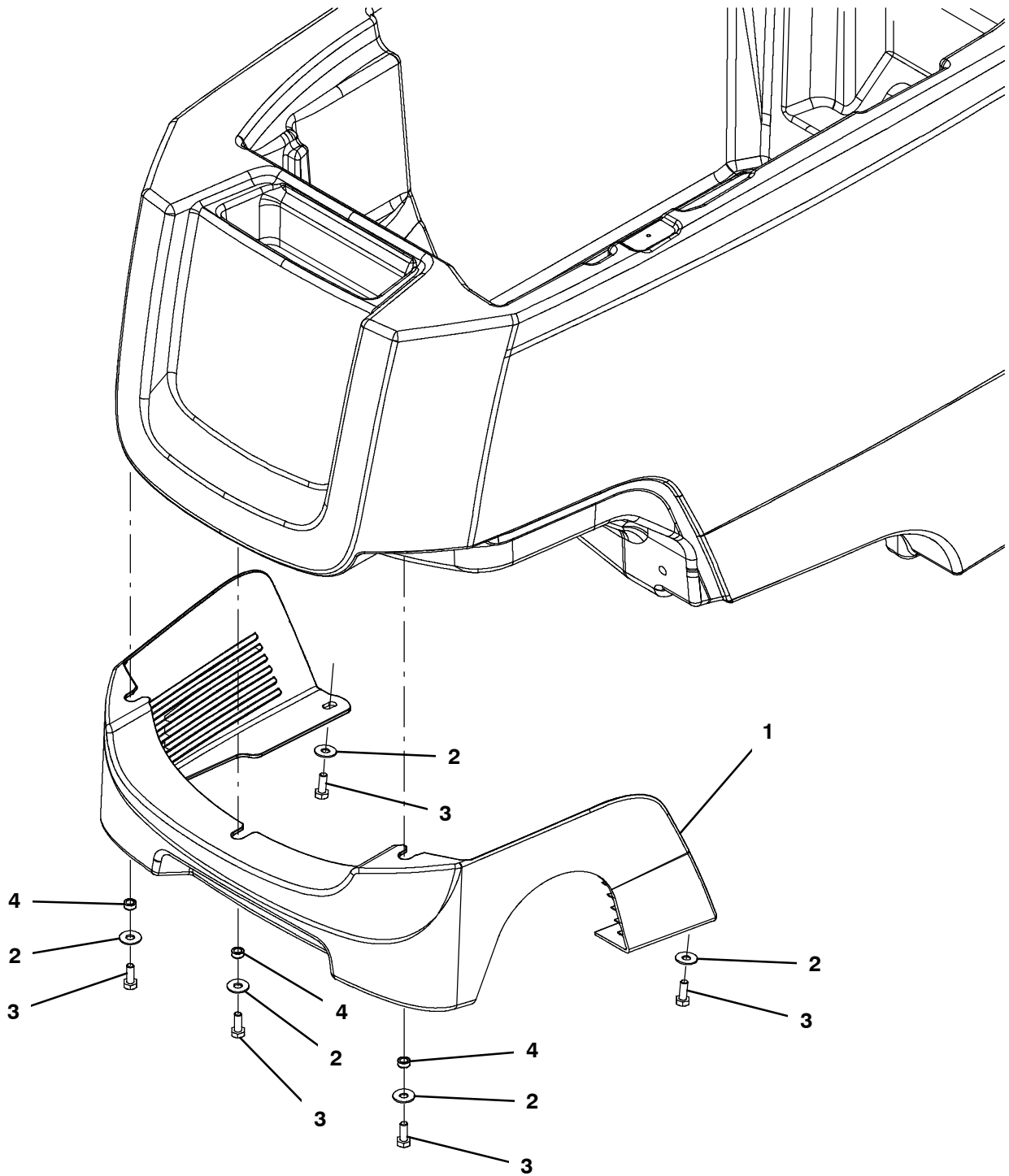


SHROUD GROUP, DISK AND ORBITAL HEAD

Ref.	Part No.	Serial Number	Description	Qty.
1	1210029	(30000000- 40000000)	Cover, Head, Disk, Im-Hg [T300]	1
2	01684	(30000000- 40000000)	Washer, Flat, 0.27b 0.69d .05, Ss	5
3	11329	(30000000- 40000000)	Screw, Hex, M6 X 1.00 X 16, NI, Ss	5
4	80491	(30000000- 40000000)	Sleeve, P/M, 0.25b 0.38d 0.2l [430ss]	3

SHROUD GROUP, CYLINDRICAL HEAD

355300



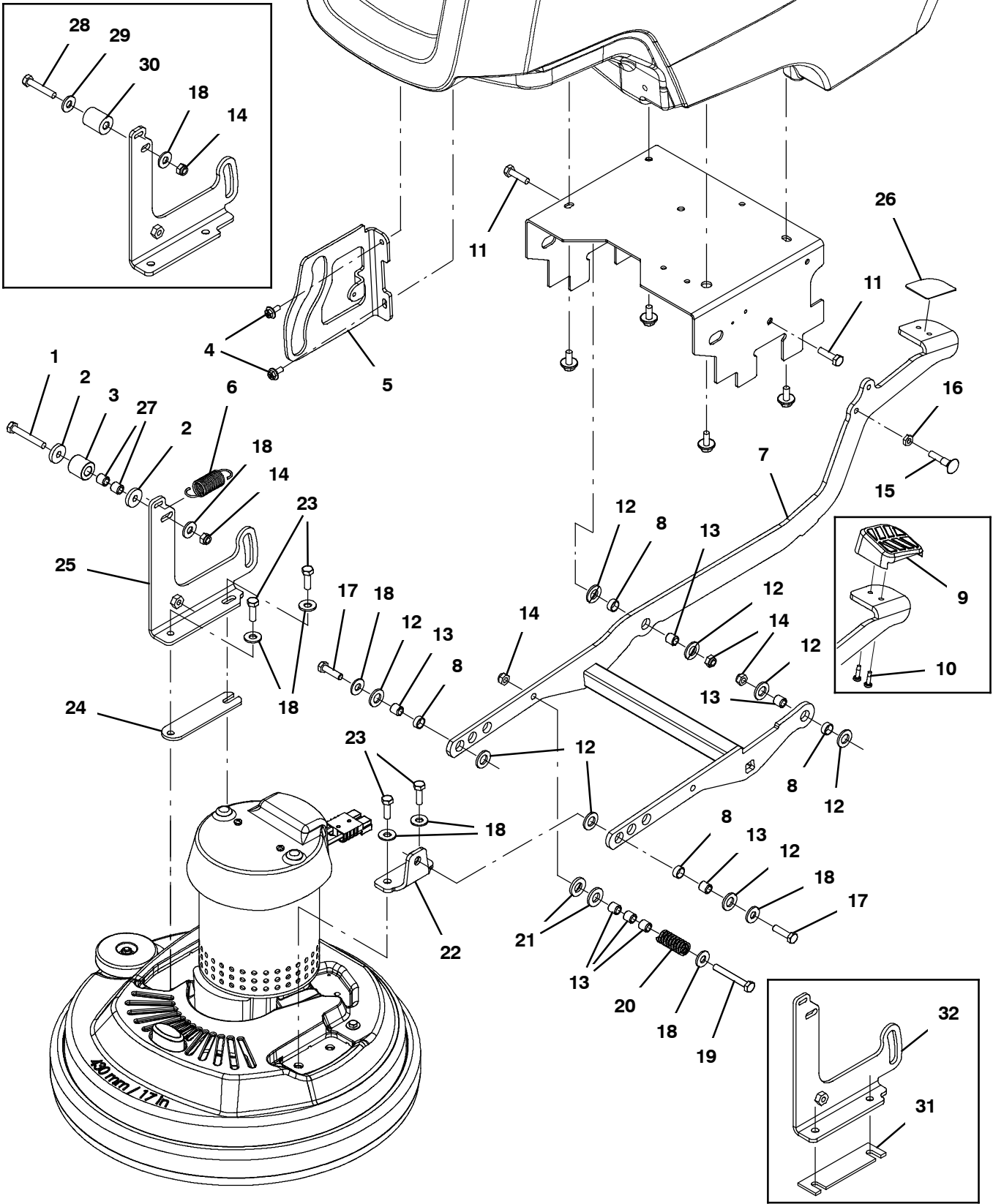
SHROUD GROUP, CYLINDRICAL HEAD

Ref.	Part No.	Serial Number	Description	Qty.
1	1213570	(30000000- 40000000)	Cover, Head, Cylrcl, Im- Hg [T300]	1
2	01684	(30000000- 40000000)	Washer, Flat, 0.27b 0.69d .05, Ss	5
3	11329	(30000000- 40000000)	Screw, Hex, M6 X 1.00 X 16, NI, Ss	5
4	80491	(30000000- 40000000)	Sleeve, P/M, 0.25b 0.38d 0.2l [430ss]	3

SCRUB HEAD LIFT GROUP, 43CM DISK MODEL

355285

(S/N 3000000 - 30058933)



SCRUB HEAD LIFT GROUP, 43CM DISK MODEL

Ref.	Part No.	Serial Number	Description	Qty.	
1	222504	(30058934- 40000000)	Screw, Hex, M8 X 1.25 X 55, Ss	1	
2	1028796	(30058934- 40000000)	Washer, Flat, 0.33b 1.00d .18, Stl, Pl	2	
3	1014020	(30058934- 40000000)	Roller, 0.99d 0.50b 0.95l, Acetal	1	
4	1034731	(30000000- 40000000)	Screw, Hex, M6 X 1.00 X 16, Sems, Ss	2	
5	1213063	(30000000- 40000000)	Bracket, Guide, Head [Vw]	1	
6	1032420	(30000000- 40000000)	Spring, Extn, 0.85od 0.09wir 02.9l	1	
▽	7	9014170	(30000000- 40000000)	Kit, Lift, Head[T300/T300e/Ss300]	1
▲	8	630188	(30000000- 40000000)	Bearing, Journal, .50id X .25l	8
9	1209093	(30000000- 30044688)	Cover, Pedal (T300 Model - Replaced by 1218694)	1	
10	1043573	(30000000- 30044688)	Screw, #10- 14 X 0.675, Spl[Shcs,Selftap] (T300 Model)	2	
11	09011	(30000000- 40000000)	Screw, Hex, M8 X 1.25 X 30, Ss	2	
12	1013936	(30000000- 40000000)	Washer, Flat, 0.51b 0.94d .10, Nyl	8	
13	222460	(30000000- 40000000)	Sleeve, P/M, 0.32b 0.50d 0.5l [430ss]	7	
14	08713	(30000000- 40000000)	Nut, Hex, Lock, M8 X 1.25, NI, Ss	4	
15	69915	(30000000- 40000000)	Bolt, Carriage, M8 X 1.25 X 40	1	
16	200101017	(30000000- 40000000)	Nut, Hex, Jam, M8 X 1.25	1	
17	1016399	(30000000- 40000000)	Screw, Hex, M8 X 1.25 X 30, NI, Ss	2	
18	01685	(30000000- 40000000)	Washer, Flat, 0.38b 0.88d .08, Ss	8	
19	1014163	(30000000- 40000000)	Screw, Hex, M8 X 1.25 X 60, Fl, Ss	1	
20	140430	(30000000- 40000000)	Spring, Cmpr, 0.70od .10wir 01.7l	1	
21	140127	(30000000- 40000000)	Washer, Thrust, 0.51b 1.00d 0.12w, Brz	2	
22	1210258	(30000000- 40000000)	Bracket Wldt, Head Mtg, 43d/50d, Short	1	
23	12333	(30000000- 40000000)	Screw, Hex, M8 X 1.25 X 25, Ss, NI	4	
24	1223982	(30057439- 40000000)	Spacer, Head, 4mm (Push Model)	1	
25	1223962	(30062215- 40000000)	Bracket Wldt, Mtg, Head, 43d/50d, Tall	1	
26	1218694	(30000000- 40000000)	Pad, Pedal, Lift	1	
27	222460	(30058934- 40000000)	Sleeve, P/M, 0.32b 0.50d 0.5l [430ss]	2	
28	49694	(30000000- 30058933)	Screw, Hex, M8 X 1.25 X 50, Ss	1	
29	01685	(30000000- 30058933)	Washer, Flat, 0.38b 0.88d .08, Ss	1	
30	1214039	(30000000- 30058933)	Roller, Lift, Head	1	
31	1221369	(30000000- 30057438)	Spacer, Head, 4mm [Ss3] (Push Model)	1	
32	1210256	(30000000- 30062214)	Bracket Wldt, Mtg, Head, 50d, Tall [Vw] (Replaced By 1223962)	1	

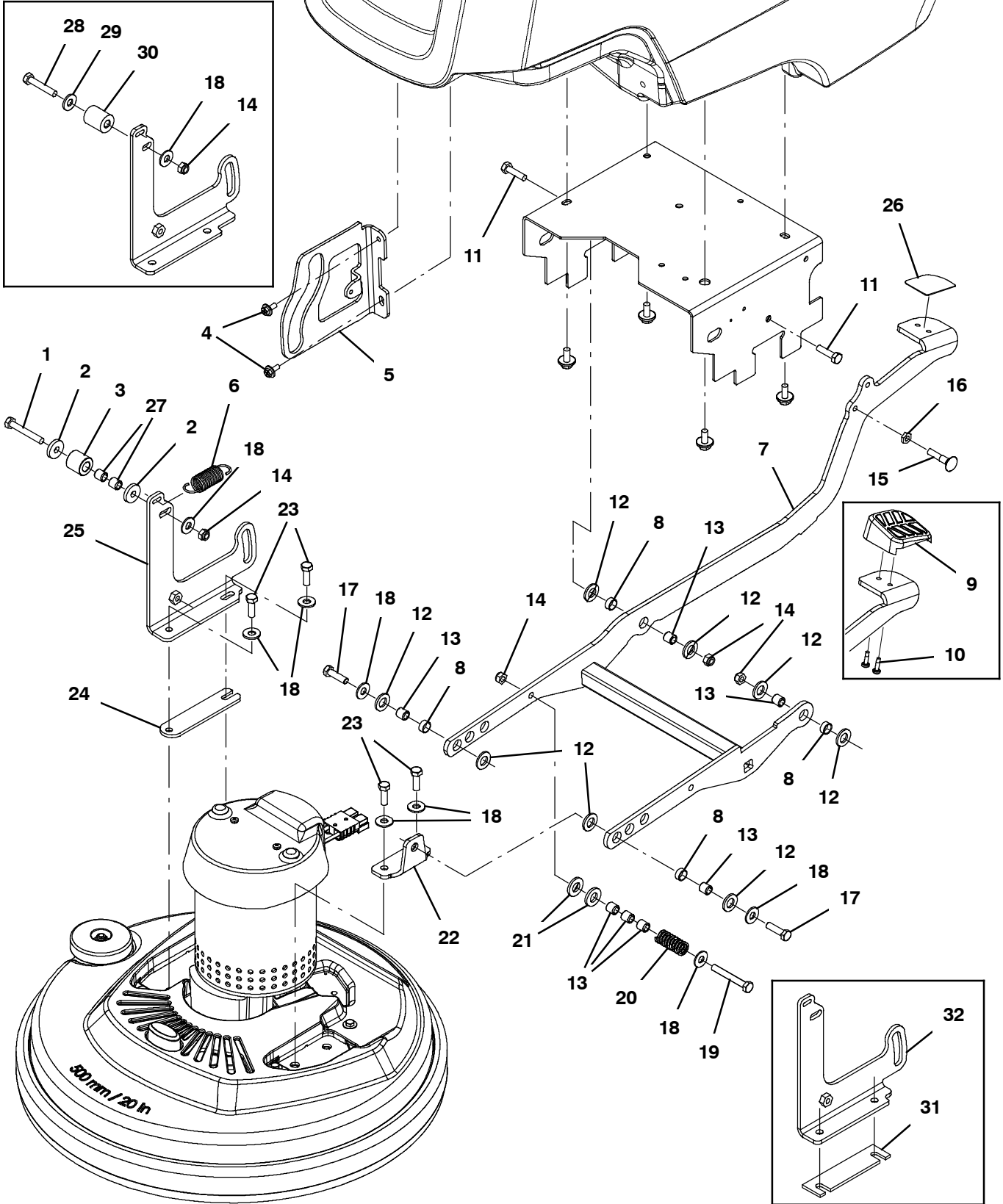
▽ ASSEMBLY

▲ INCLUDED IN ASSEMBLY

SCRUB HEAD LIFT GROUP, 50CM DISK MODEL

355286

(S/N 3000000 - 30058933)



SCRUB HEAD LIFT GROUP, 50CM DISK MODEL

Ref.	Part No.	Serial Number	Description	Qty.	
1	222504	(30058934- 40000000)	Screw, Hex, M8 X 1.25 X 55, Ss	1	
2	1028796	(30058934- 40000000)	Washer, Flat, 0.33b 1.00d .18, Stl, Pl	2	
3	1014020	(30058934- 40000000)	Roller, 0.99d 0.50b 0.95l, Acetal	1	
4	1034731	(30000000- 40000000)	Screw, Hex, M6 X 1.00 X 16, Sems, Ss	2	
5	1213063	(30000000- 40000000)	Bracket, Guide, Head [Vw]	1	
6	1032420	(30000000- 40000000)	Spring, Extn, 0.85od 0.09wir 02.9l	1	
▽	7	9014170	(30000000- 40000000)	Kit, Lift, Head[T300/T300e/Ss300]	1
▲	8	630188	(30000000- 40000000)	Bearing, Journal, .50id X .25l	8
9	1209093	(30000000- 30044688)	Cover, Pedal (T300 Model - Replaced by 1218694)	1	
10	1043573	(30000000- 30044688)	Screw, #10- 14 X 0.675, Spl[Shcs,Selftap] (T300 Model)	2	
11	09011	(30000000- 40000000)	Screw, Hex, M8 X 1.25 X 30, Ss	2	
12	1013936	(30000000- 40000000)	Washer, Flat, 0.51b 0.94d .10, Nyl	8	
13	222460	(30000000- 40000000)	Sleeve, P/M, 0.32b 0.50d 0.5l [430ss]	7	
14	08713	(30000000- 40000000)	Nut, Hex, Lock, M8 X 1.25, NI, Ss	4	
15	69915	(30000000- 40000000)	Bolt, Carriage, M8 X 1.25 X 40	1	
16	200101017	(30000000- 40000000)	Nut, Hex, Jam, M8 X 1.25	1	
17	1016399	(30000000- 40000000)	Screw, Hex, M8 X 1.25 X 30, NI, Ss	2	
18	01685	(30000000- 40000000)	Washer, Flat, 0.38b 0.88d .08, Ss	8	
19	1014163	(30000000- 40000000)	Screw, Hex, M8 X 1.25 X 60, Fl, Ss	1	
20	140430	(30000000- 40000000)	Spring, Cmpr, 0.70od .10wir 01.7l	1	
21	140127	(30000000- 40000000)	Washer, Thrust, 0.51b 1.00d 0.12w, Brz	2	
22	1210258	(30000000- 40000000)	Bracket Wldt, Head Mtg, 43d/50d, Short	1	
23	12333	(30000000- 40000000)	Screw, Hex, M8 X 1.25 X 25, Ss, NI	4	
24	1223982	(30057439- 40000000)	Spacer, Head, 4mm	1	
25	1223962	(30062215- 40000000)	Bracket Wldt, Mtg, Head, 43d/50d, Tall	1	
26	1218694	(30000000- 40000000)	Pad, Pedal, Lift	1	
27	222460	(30058934- 40000000)	Sleeve, P/M, 0.32b 0.50d 0.5l [430ss]	2	
28	49694	(30000000- 30058933)	Screw, Hex, M8 X 1.25 X 50, Ss	1	
29	01685	(30000000- 30058933)	Washer, Flat, 0.38b 0.88d .08, Ss	1	
30	1214039	(30000000- 30058933)	Roller, Lift, Head	1	
31	1221369	(30000000- 30057438)	Spacer, Head, 4mm [Ss3] (Push Model)	1	
32	1210256	(30000000- 30062214)	Bracket Wldt, Mtg, Head, 50d, Tall [Vw] (Replaced By 1223962)	1	

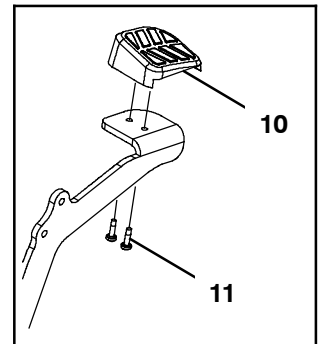
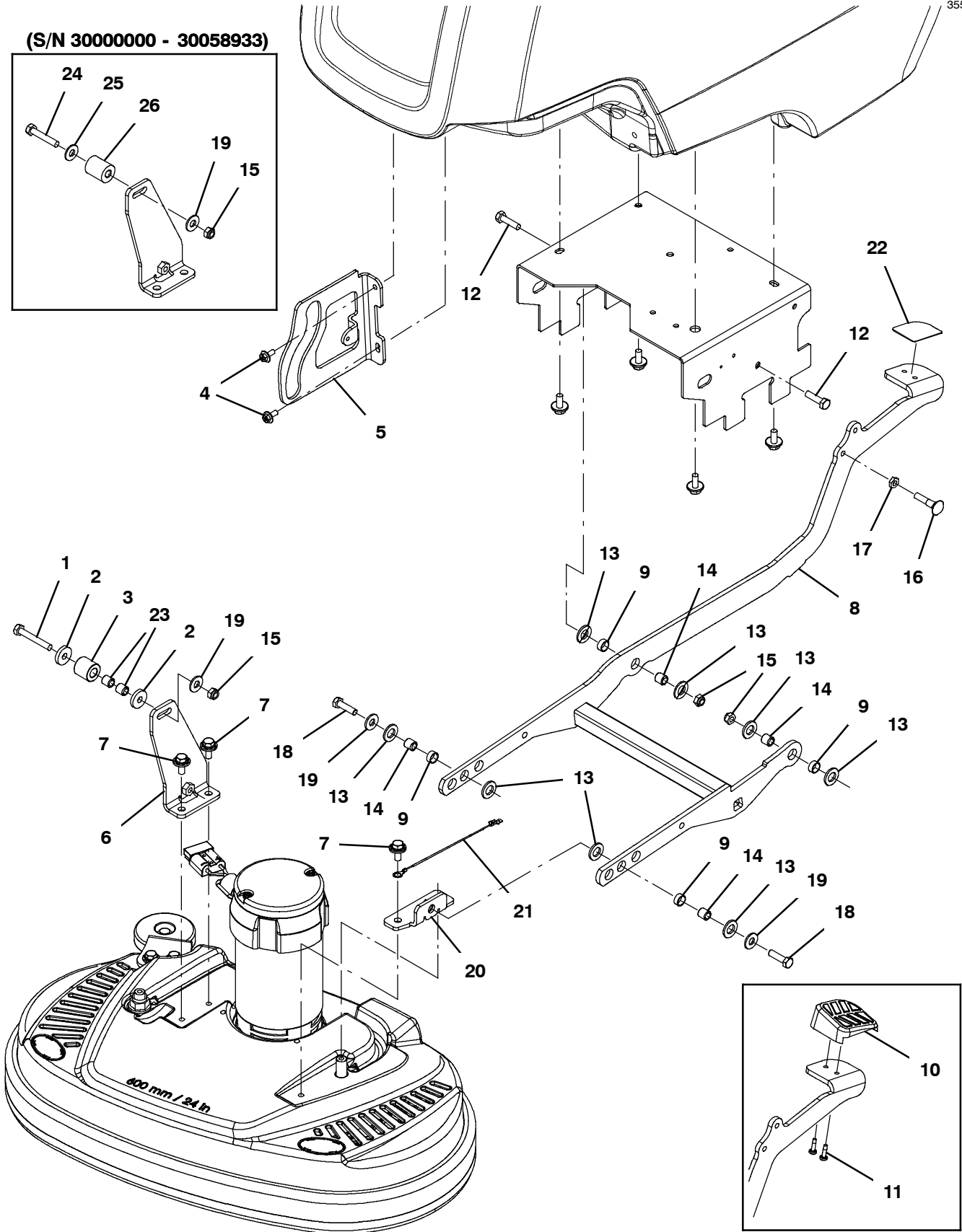
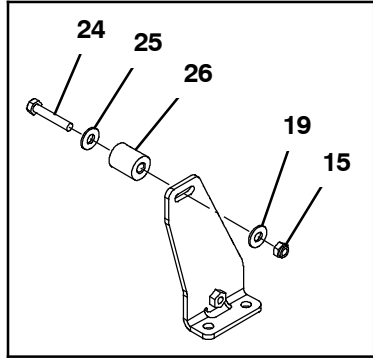
▽ ASSEMBLY

▲ INCLUDED IN ASSEMBLY

SCRUB HEAD LIFT GROUP, 60CM DUAL DISK MODEL

355287

(S/N 30000000 - 30058933)



SCRUB HEAD LIFT GROUP, 60CM DUAL DISK MODEL

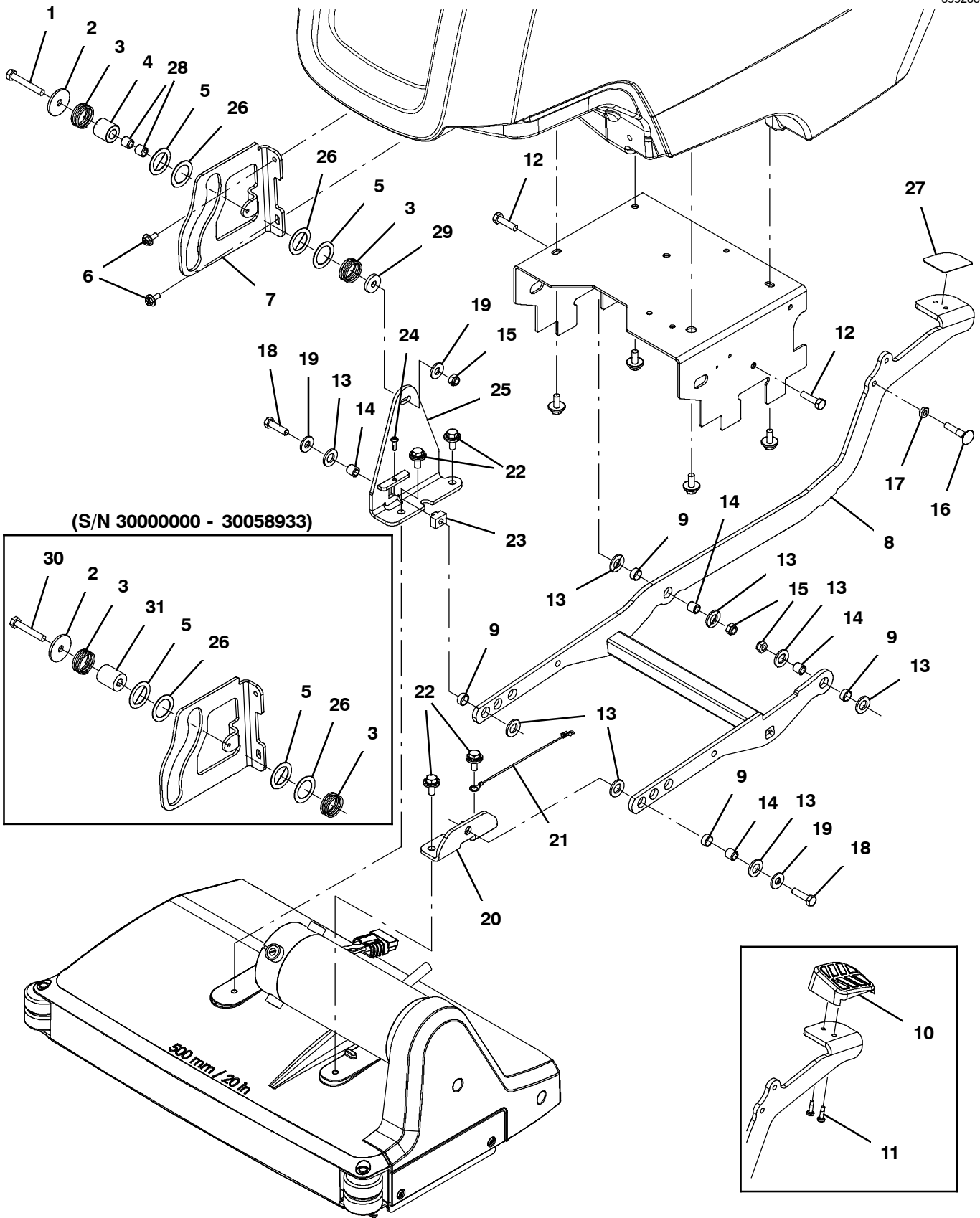
Ref.	Part No.	Serial Number	Description	Qty.	
1	222504	(30058934- 40000000)	Screw, Hex, M8 X 1.25 X 55, Ss	1	
2	1028796	(30058934- 40000000)	Washer, Flat, 0.33b 1.00d .18, Stl, Pl	2	
3	1014020	(30058934- 40000000)	Roller, 0.99d 0.50b 0.95l, Acetal	1	
4	1034731	(30000000- 40000000)	Screw, Hex, M6 X 1.00 X 16, Sems, Ss	2	
5	1213063	(30000000- 40000000)	Bracket, Guide, Head [Vw]	1	
6	1213220	(30000000- 40000000)	Bracket Wldt, Mtg, Head, 60dd, Tail [Vw]	1	
7	1020341	(30000000- 40000000)	Screw, Hex, M8 X 1.25 X 20, Ss, Sems	3	
▽	8	9014170	(30000000- 40000000)	Kit, Lift, Head[T300/T300e/Ss300]	1
▲	9	630188	(30000000- 40000000)	Bearing, Journal, .50id X .25l	8
10	1209093	(30000000- 30044688)	Cover, Pedal (T300 Model - Replaced by 1218694)	1	
11	1043573	(30000000- 30044688)	Screw, #10- 14 X 0.675, Spl[Shcs,Selftap] (T300 Model)	2	
12	09011	(30000000- 40000000)	Screw, Hex, M8 X 1.25 X 30, Ss	2	
13	1013936	(30000000- 40000000)	Washer, Flat, 0.51b 0.94d .10, Nyl	8	
14	222460	(30000000- 40000000)	Sleeve, P/M, 0.32b 0.50d 0.5l [430ss]	4	
15	08713	(30000000- 40000000)	Nut, Hex, Lock, M8 X 1.25, NI, Ss	3	
16	69915	(30000000- 40000000)	Bolt, Carriage, M8 X 1.25 X 40	1	
17	200101017	(30000000- 40000000)	Nut, Hex, Jam, M8 X 1.25	1	
18	1016399	(30000000- 40000000)	Screw, Hex, M8 X 1.25 X 30, NI, Ss	2	
19	01685	(30000000- 40000000)	Washer, Flat, 0.38b 0.88d .08, Ss	3	
20	1213224	(30000000- 40000000)	Bracket Wldt, Mtg, Head, 60dd, Short[Vw]	1	
21	1074344	(30000000- 40000000)	Harness, Ele [Ring With .250m Tail]	1	
22	1218694	(30000000- 40000000)	Pad, Pedal, Lift	1	
23	222460	(30058934- 40000000)	Sleeve, P/M, 0.32b 0.50d 0.5l [430ss]	2	
24	49694	(30000000- 30058933)	Screw, Hex, M8 X 1.25 X 50, Ss	1	
25	01685	(30000000- 30058933)	Washer, Flat, 0.38b 0.88d .08, Ss	1	
26	1214039	(30000000- 30058933)	Roller, Lift, Head	1	

▽ ASSEMBLY

▲ INCLUDED IN ASSEMBLY

SCRUB HEAD LIFT GROUP, 50CM CYLINDRICAL MODEL

355288



SCRUB HEAD LIFT GROUP, 50CM CYLINDRICAL MODEL

Ref.	Part No.	Serial Number	Description	Qty.	
1	222504	(30058934- 40000000)	Screw, Hex, M8 X 1.25 X 55, Ss	1	
2	379829	(30000000- 40000000)	Washer, Flat, 0.34b 1.50d .12, Stl, PI	1	
3	1210103	(30000000- 40000000)	Spring, Cmpr, 1.23od 0.085wir 0.88l	2	
4	1014020	(30058934- 40000000)	Roller, 0.99d 0.50b 0.95l, Acetal	1	
5	20955	(30000000- 40000000)	Washer, Flat, 1.03b 1.50d .04, Stl, PI	2	
6	1034731	(30000000- 40000000)	Screw, Hex, M6 X 1.00 X 16, Sems, Ss	2	
7	1213063	(30000000- 40000000)	Bracket, Guide, Head [Vw]	1	
▽	8	9014170	(30000000- 40000000)	Kit, Lift, Head[T300/T300e/Ss300]	1
▲	9	630188	(30000000- 40000000)	Bearing, Journal, .50id X .25l	8
10	1209093	(30000000- 30044688)	Cover, Pedal (T300 Model - Replaced by 1218694)	1	
11	1043573	(30000000- 30044688)	Screw, #10- 14 X 0.675, Spl[Shcs,Selftap] (T300 Model)	2	
12	09011	(30000000- 40000000)	Screw, Hex, M8 X 1.25 X 30, Ss	2	
13	1013936	(30000000- 40000000)	Washer, Flat, 0.51b 0.94d .10, Nyl	8	
14	222460	(30000000- 40000000)	Sleeve, P/M, 0.32b 0.50d 0.5l [430ss]	4	
15	08713	(30000000- 40000000)	Nut, Hex, Lock, M8 X 1.25, NI, Ss	3	
16	69915	(30000000- 40000000)	Bolt, Carriage, M8 X 1.25 X 40	1	
17	200101017	(30000000- 40000000)	Nut, Hex, Jam, M8 X 1.25	1	
18	1016399	(30000000- 40000000)	Screw, Hex, M8 X 1.25 X 30, NI, Ss	2	
19	01685	(30000000- 40000000)	Washer, Flat, 0.38b 0.88d .08, Ss	3	
20	1213226	(30000000- 40000000)	Bracket Wldt, Mtg, Head, 50cyl [Short]	1	
21	1074344	(30000000- 40000000)	Harness, Ele [Ring With .250m Tail]	1	
22	1020341	(30000000- 40000000)	Screw, Hex, M8 X 1.25 X 20, Ss, Sems	4	
23	1221434	(30000000- 40000000)	Nut, T, M8 X 1.25, Pm Ss [B5/B7, T300]	1	
24	1205799	(30000000- 40000000)	Screw, Btn, M5 X 0.8 X 16, 8.8, NI, Torx	1	
25	1216222	(30000000- 40000000)	Bracket Wldt, Mtg, Head	1	
26	1210112	(30000000- 40000000)	Washer, Flat, 1.03b 1.50d .03, Nylon	2	
27	1218694	(30000000- 40000000)	Pad, Pedal, Lift	1	
28	222460	(30058934- 40000000)	Sleeve, P/M, 0.32b 0.50d 0.5l [430ss]	2	
29	1028796	(30058934- 40000000)	Washer, Flat, 0.33b 1.00d .18, Stl, PI	1	
30	49694	(30000000- 30058933)	Screw, Hex, M8 X 1.25 X 50, Ss	1	
31	1214039	(30000000- 30058933)	Roller, Lift, Head	1	

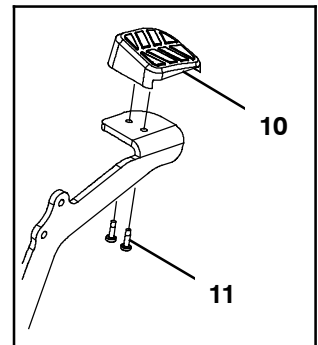
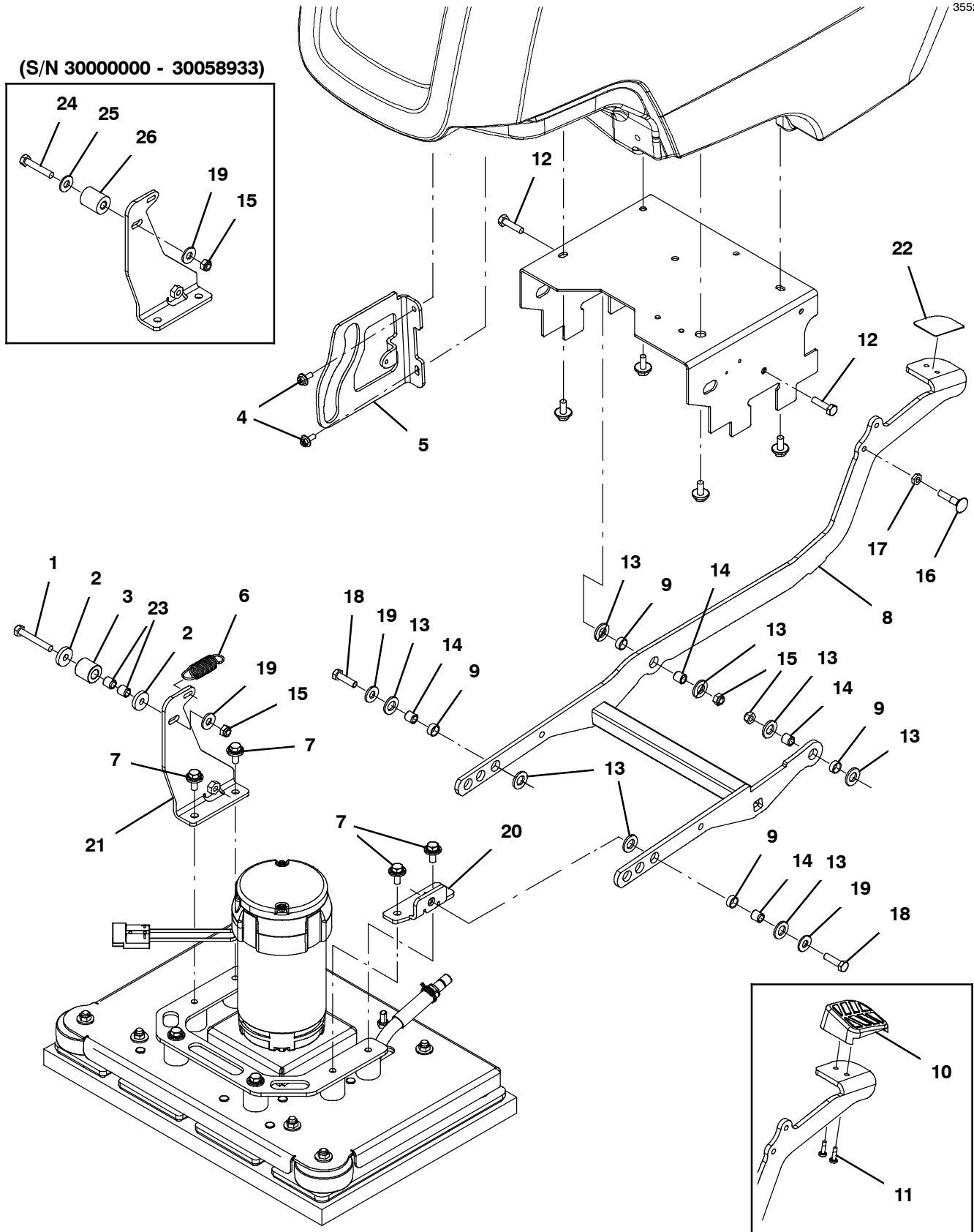
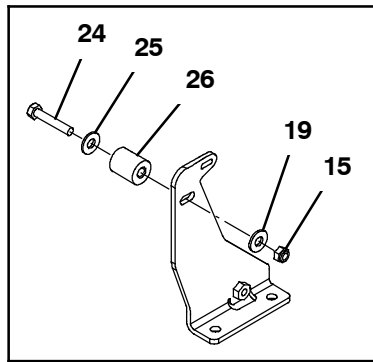
▽ ASSEMBLY

▲ INCLUDED IN ASSEMBLY

SCRUB HEAD LIFT GROUP, 50CM ORBITAL MODEL

355289

(S/N 30000000 - 30058933)



SCRUB HEAD LIFT GROUP, 50CM ORBITAL MODEL

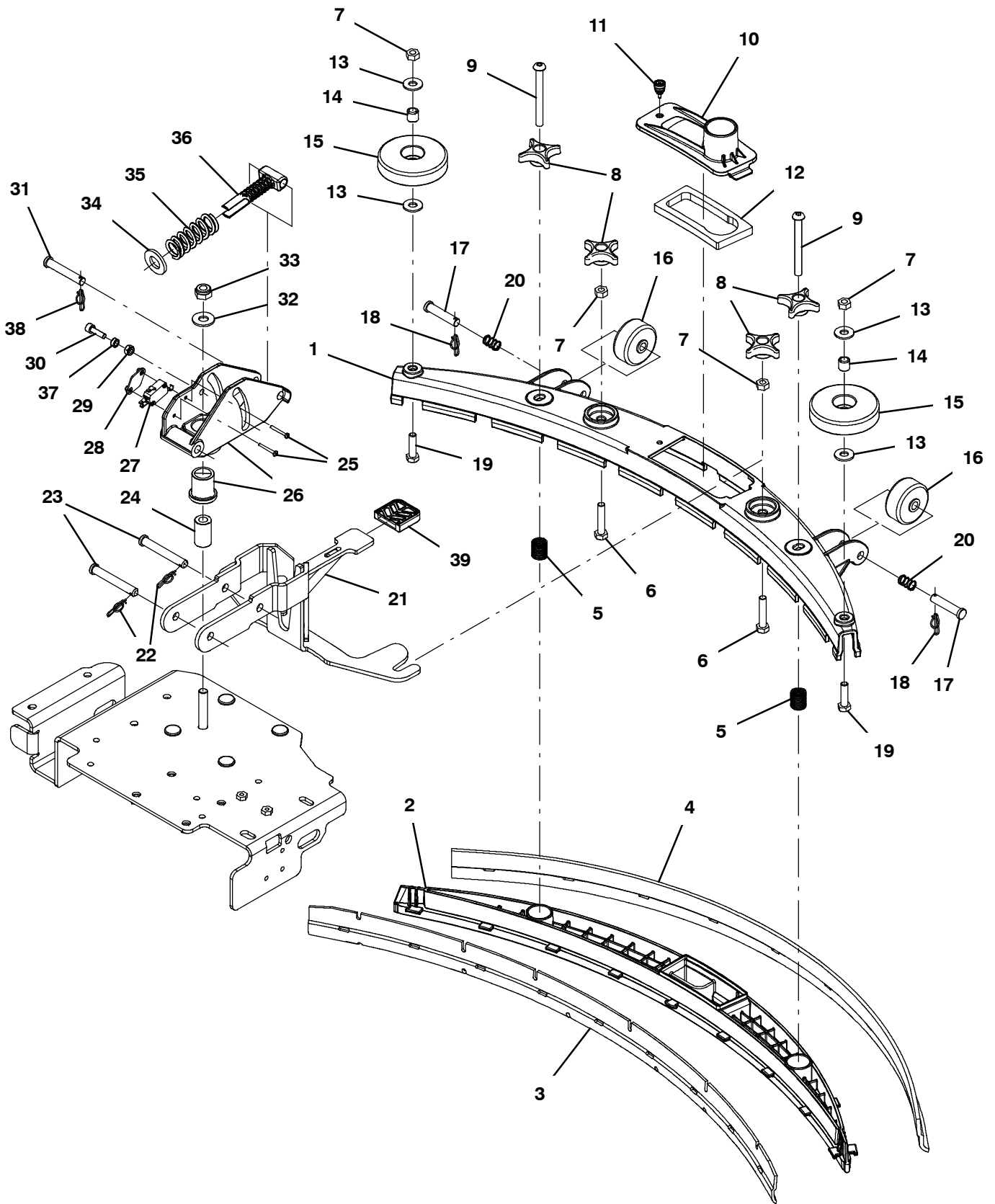
Ref.	Part No.	Serial Number	Description	Qty.
1	222504	(30058934- 40000000)	Screw, Hex, M8 X 1.25 X 55, Ss	1
2	1028796	(30058934- 40000000)	Washer, Flat, 0.33b 1.00d .18, Stl, Pl	2
3	1014020	(30058934- 40000000)	Roller, 0.99d 0.50b 0.95l, Acetal	1
4	1034731	(30000000- 40000000)	Screw, Hex, M6 X 1.00 X 16, Sems, Ss	2
5	1213063	(30000000- 40000000)	Bracket, Guide, Head [Vw]	1
6	1032420	(30000000- 40000000)	Spring, Extn, 0.85od 0.09wir 02.9l	1
7	1020341	(30000000- 40000000)	Screw, Hex, M8 X 1.25 X 20, Ss, Sems	4
▽	8	9014170	(30000000- 40000000) Kit, Lift, Head[T300/T300e/Ss300]	1
▲	9	630188	(30000000- 40000000) Bearing, Journal, .50id X .25l	8
10	1209093	(30000000- 30044688)	Cover, Pedal (T300 Model - Replaced by 1218694)	1
11	1043573	(30000000- 30044688)	Screw, #10- 14 X 0.675, Spl[Shcs,Selftap] (T300 Model)	2
12	09011	(30000000- 40000000)	Screw, Hex, M8 X 1.25 X 30, Ss	2
13	1013936	(30000000- 40000000)	Washer, Flat, 0.51b 0.94d .10, Nyl	8
14	222460	(30000000- 40000000)	Sleeve, P/M, 0.32b 0.50d 0.5l [430ss]	4
15	08713	(30000000- 40000000)	Nut, Hex, Lock, M8 X 1.25, NI, Ss	3
16	69915	(30000000- 40000000)	Bolt, Carriage, M8 X 1.25 X 40	1
17	200101017	(30000000- 40000000)	Nut, Hex, Jam, M8 X 1.25	1
18	1016399	(30000000- 40000000)	Screw, Hex, M8 X 1.25 X 30, NI, Ss	2
19	01685	(30000000- 40000000)	Washer, Flat, 0.38b 0.88d .08, Ss	3
20	1212572	(30000000- 40000000)	Bracket Wldt, Mtg, Head, Orb, Short [Vw]	1
21	1213223	(30000000- 40000000)	Bracket Wldt, Mtg, Head, Orb, Tall [Vw]	1
22	1218694	(30000000- 40000000)	Pad, Pedal, Lift	1
23	222460	(30058934- 40000000)	Sleeve, P/M, 0.32b 0.50d 0.5l [430ss]	2
24	49694	(30000000- 30058933)	Screw, Hex, M8 X 1.25 X 50, Ss	1
25	01685	(30000000- 30058933)	Washer, Flat, 0.38b 0.88d .08, Ss	1
26	1214039	(30000000- 30058933)	Roller, Lift, Head	1

▽ ASSEMBLY

▲ INCLUDED IN ASSEMBLY

SQUEEGEE GROUP

355305



SQUEEGEE GROUP

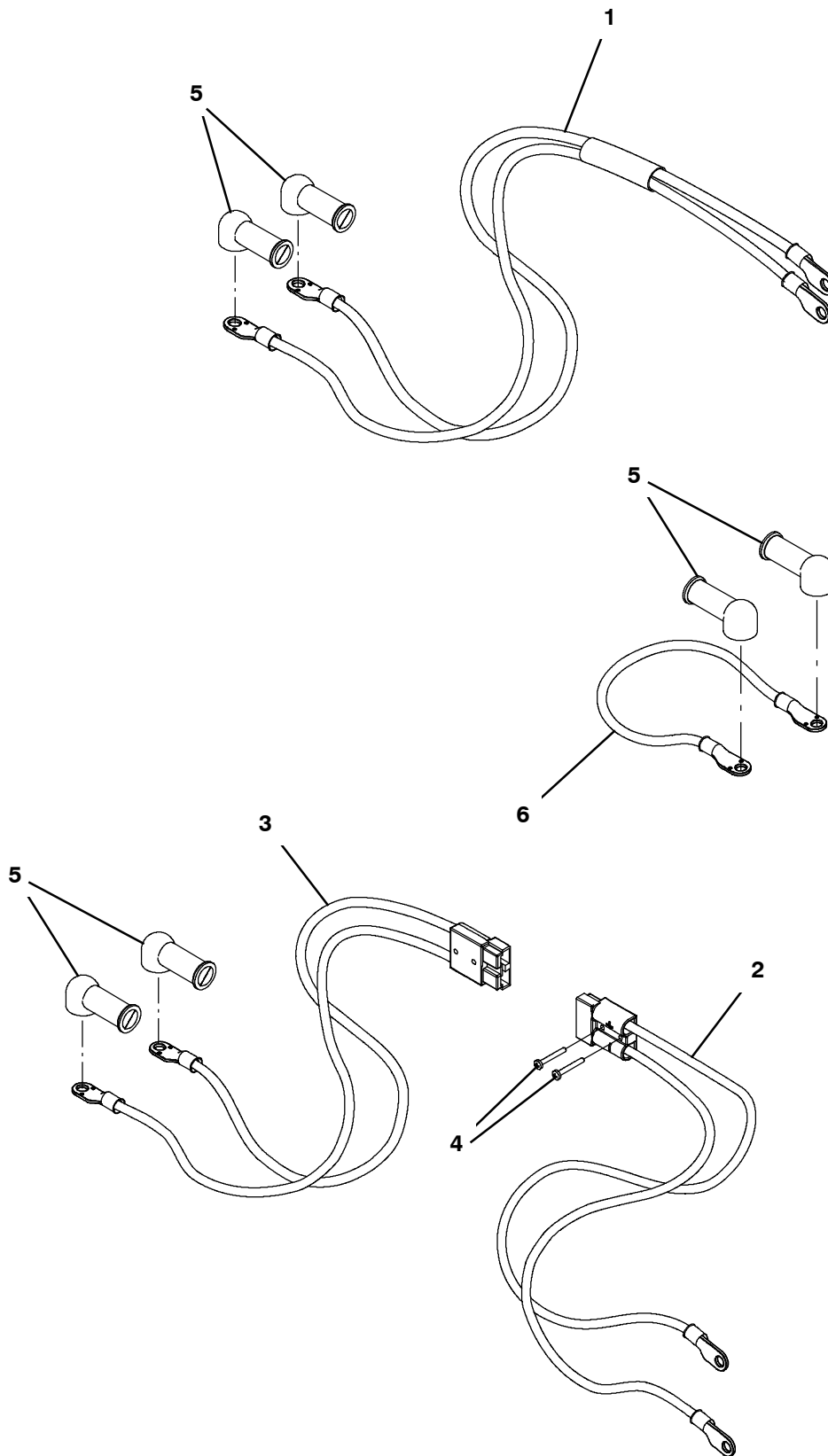
Ref.	Part No.	Serial Number	Description	Qty.
▽	9014172	(30000000- 40000000)	Squeegee Kit, Linatex, Am [T300/E/Ss300]	1
▲	1 1215681	(30000000- 40000000)	Frame, Sqge, 50cm, Mach [T300]	1
▲	2 1203638	(30000000- 40000000)	Retainer, Sqge [T300]	1
▲	3 1203954	(30000000- 40000000)	Blade, Sqge, Front, 788l, Linatex[500mm] (Standard)	1
	3 1215611	(30000000- 40000000)	Blade, Sqge, Front, 788l, Urethane[500mm] (Option)	1
	3 1215612	(30000000- 40000000)	Blade, Sqge, Front, 788l, Gum[500mm] (Option)	1
▲	4 1203953	(30000000- 40000000)	Blade, Sqge, Rear, 836l, Linatex[500mm] (Standard)	1
	4 1215609	(30000000- 40000000)	Blade, Sqge, Rear, 836l, Urethane[500mm] (Option)	1
	4 1215610	(30000000- 40000000)	Blade, Sqge, Rear, 836l, Gum[500mm] (Option)	1
▲	5 22290	(30000000- 40000000)	Spring, Cmpr, 0.72od .06wir 02.3l	2
▲	6 09023	(30000000- 40000000)	Screw, Hex, M8 X 1.25 X 35, Fl, Ss	2
▲	7 07786	(30000000- 40000000)	Nut, Hex, Std, M8 X 1.25, Ss	4
▲	8 1213677	(30000000- 40000000)	Knob, Star, 2.00od 4ear M8x1.25 [Yel]	4
▲	9 1212755	(30000000- 40000000)	Screw, Btn, Soc, M8x1.25x80, Ss	2
▲	10 1209631	(30000000- 40000000)	Cover, Trap, Water, Sqge	1
▲	11 1212683	(30000000- 40000000)	Screw, Captive, M5, Knurled [Snap In]	1
▲	12 1210756	(30000000- 40000000)	Gasket, Trap, Water, Sqge	1
▲	13 140027	(30000000- 40000000)	Washer, Flat, 0.35b 0.75d .04, Ss	4
▲	14 222460	(30000000- 40000000)	Sleeve, P/M, 0.32b 0.50d 0.5l [430ss]	2
▲	15 1010560	(30000000- 40000000)	Wheel, Bmpr, 80d X 25w, Non- Marking	2
▲	16 630477	(30000000- 40000000)	Wheel, Pyu, 02.0d 0.38w, Gray	2
▲	17 17461	(30000000- 40000000)	Pin, Clevis, 0.37d X 1.75l	2
▲	18 1216647	(30000000- 40000000)	Pin, Cotter, Hair, 0.38d .054 Wir	2
▲	19 1016399	(30000000- 40000000)	Screw, Hex, M8 X 1.25 X 30, NI, Ss	2
▲	20 1017091	(30000000- 40000000)	Spring, Cmpr, 0.50od .04wir 00.8l	2
	21 9014303	(30000000- 40000000)	Bracket Kit, Sqge, Wdt [T300/E, Ss300]	1
	22 1216647	(30000000- 40000000)	Pin, Cotter, Hair, 0.38d .054 Wir	2
	23 391179	(30000000- 40000000)	Pin, Clevis, 0.37d X 2.62l	2
	24 1214467	(30000000- 40000000)	Sleeve, P/M, 0.41b 0.75d 1.3l [430ss]	1
	25 33933	(30000000- 40000000)	Screw, Pan, Phl, M3 X 0.50 X 25, Ss	1
	26 9014301	(30000000- 40000000)	Bracket Kit, Sqge, Lift [T300/E, Ss300]	1
	27 1215716	(30000000- 40000000)	Switch, 0.1a, Spdt[Micro, Gold Contacts]	1
	28 1013705	(30000000- 40000000)	Plate, Thread, Switch, M3 Nut, 96hr PI	1
	29 08712	(30000000- 40000000)	Nut, Hex, Lock, M6 X 1.00, NI, Ss	1
	30 33951	(30000000- 40000000)	Screw, Soc, M6 X 1.00 X 20, 12.9	1
	31 51813	(30000000- 40000000)	Pin, Clevis, 0.37d X 2.12l	1
	32 01686	(30000000- 40000000)	Washer, Flat, 0.44b 1.00d .08, Ss	1
	33 08714	(30000000- 40000000)	Nut, Hex, Lock, M10 X 1.5, NI, Ss	1
	34 69954	(30000000- 40000000)	Washer, Thrust, 0.63b 1.25d 0.13w	1
	35 1215756	(30000000- 40000000)	Spring, Cmpr, 0.98od .146wir 02.5l	1
	36 1209782	(30000000- 40000000)	Pin, Guide, Spring	1
	37 80491	(30000000- 40000000)	Sleeve, P/M, 0.25b 0.38d 0.2l [430ss]	1
	38 1216647	(30000000- 40000000)	Pin, Cotter, Hair, 0.38d .054 Wir	1
	39 1212533	(30000000- 40000000)	Cover, Pedal, Lift	1

▽ ASSEMBLY

▲ INCLUDED IN ASSEMBLY

BATTERY CABLE GROUP, T300e Model

355403



BATTERY CABLE GROUP, T300e Model

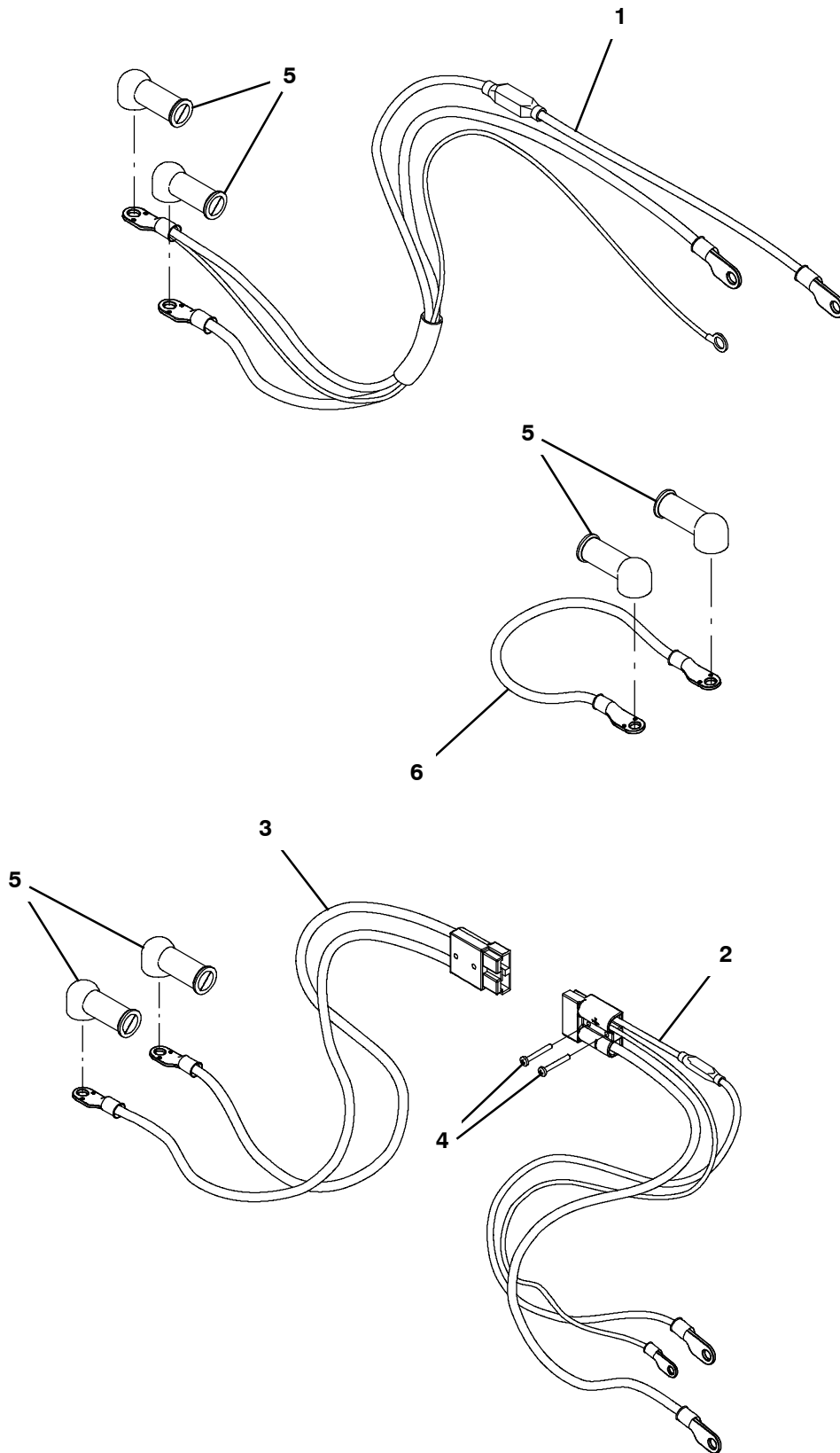
Ref.	Part No.	Serial Number	Description	Qty.
1	1074847	(30056488- 40000000)	Cable, Assy [T300e] (Standard - Without Battery Lift Out Tray Option)	1
▽	9014781	(30000000- 40000000)	Cable Kit, Battery, Ring, Tray,Ci[T300e] (Required for Battery Lift Out Kit Option)	1
▲	2 1073629	(30000000- 30056487)	Cable, Battery, 4ga [M8 Ring/M8 Ring]	1
▲	3 1073628	(30000000- 30056487)	Cable, Battery, 4ga [M8 Ring/M8 Ring]	1
▲	4 33931	(30000000- 30056487)	Screw, Pan, Phl, M4 X 0.70 X 30, Ss	2
	5 611221	(30056488- 40000000)	Boot, Terminal, Battery, 25.4mm, Blk	2
	5 611221	(30000000- 30056487)	Boot, Terminal, Battery, 25.4mm, Blk	4
	6 1073680	(30000000- 40000000)	Cable, 04ga 15.0l Blk [M8 Ring/M8 Ring]	1

▽ ASSEMBLY

▲ INCLUDED IN ASSEMBLY

BATTERY CABLE GROUP, T300 Model

355402

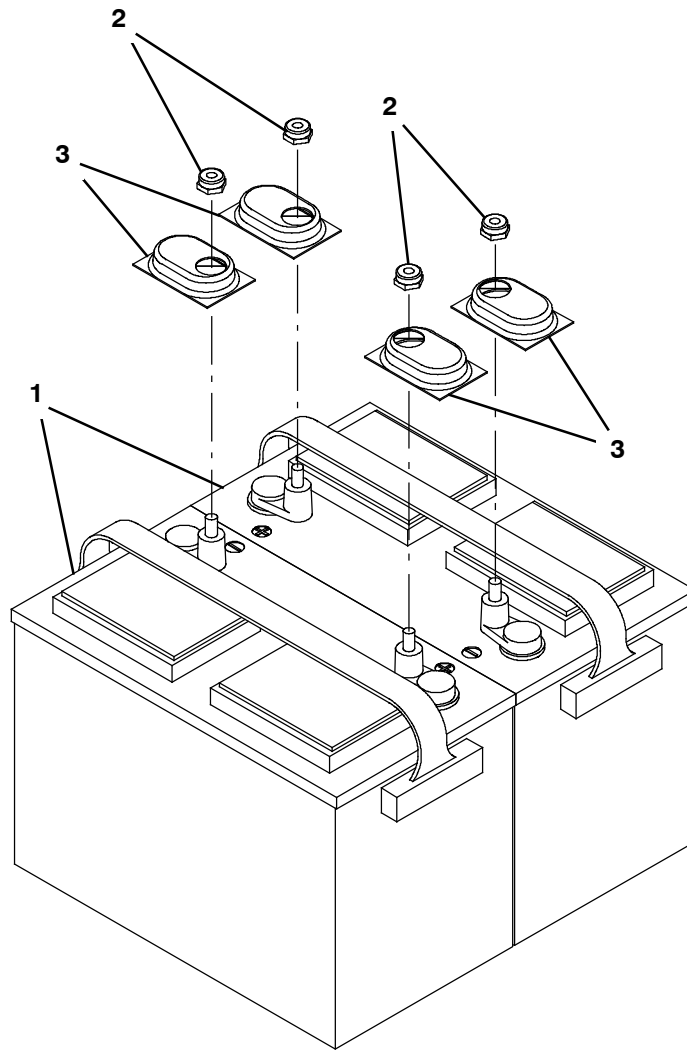


BATTERY CABLE GROUP, T300 Model

Ref.	Part No.	Serial Number	Description	Qty.
1	1074848	(30056488- 40000000)	Cable, Assy, Fuse [T300] (Standard - Without Battery Lift Out Tray Option)	1
▽	9014778	(30000000- 40000000)	Cable Kit, Battery, Ring, Tray,Ci [T300] (Required for Battery Lift Out Kit Option)	1
▲	2 1073629	(30000000- 40000000)	Cable, Battery, 4ga [M8 Ring/M8 Ring]	1
▲	3 1073628	(30000000- 40000000)	Cable, Battery, 4ga [M8 Ring/M8 Ring]	1
▲	4 33931	(30000000- 40000000)	Screw, Pan, Phl, M4 X 0.70 X 30, Ss	2
5	611221	(30056488- 40000000)	Boot, Terminal, Battery, 25.4mm, Blk	2
5	611221	(30000000- 30056487)	Boot, Terminal, Battery, 25.4mm, Blk	4
6	1073680	(30000000- 40000000)	Cable, 04ga 15.0l Blk [M8 Ring/M8 Ring]	1

BATTERY GROUP, 105AH C20 WET

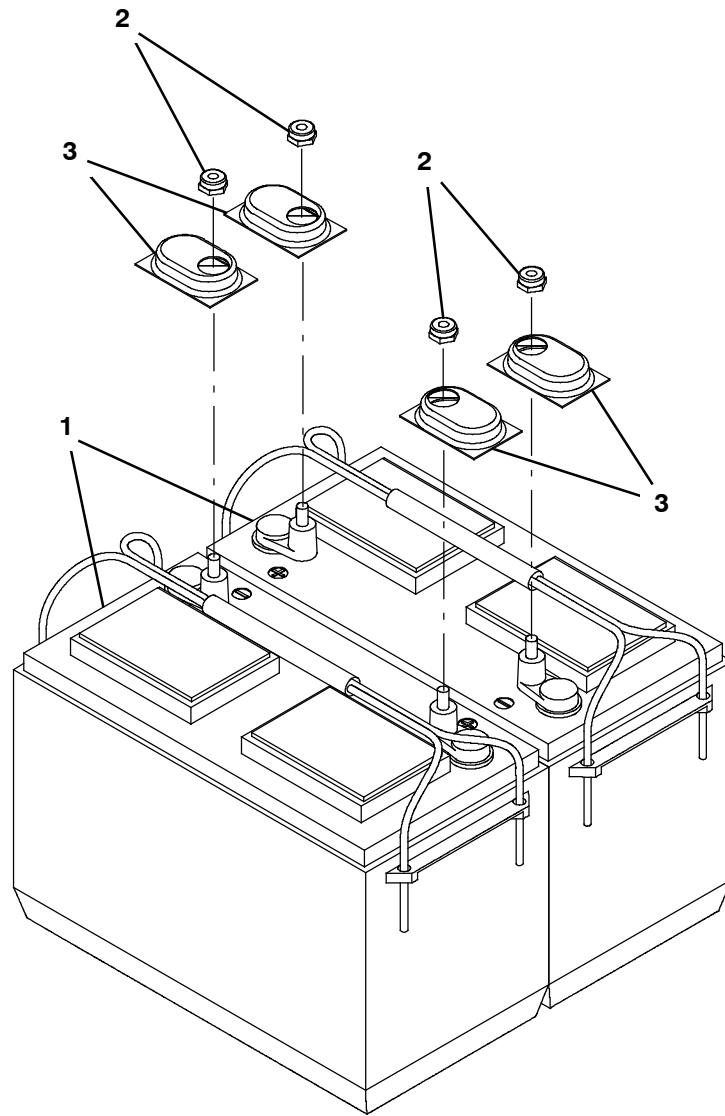
355359



Ref.	Part No.	Serial Number	Description	Qty.
1	578426	(30000000- 40000000)	Battery, Wet, 12vdc 0105ah [S8, 27tmx]	2
2	87435	(30000000- 40000000)	Nut, Hex, Flexlock, .31- 18	4
3	45962	(30000000- 40000000)	Cap, Battery, White [For 105ah & 130ah]	4

BATTERY GROUP, 130AH C20 WET

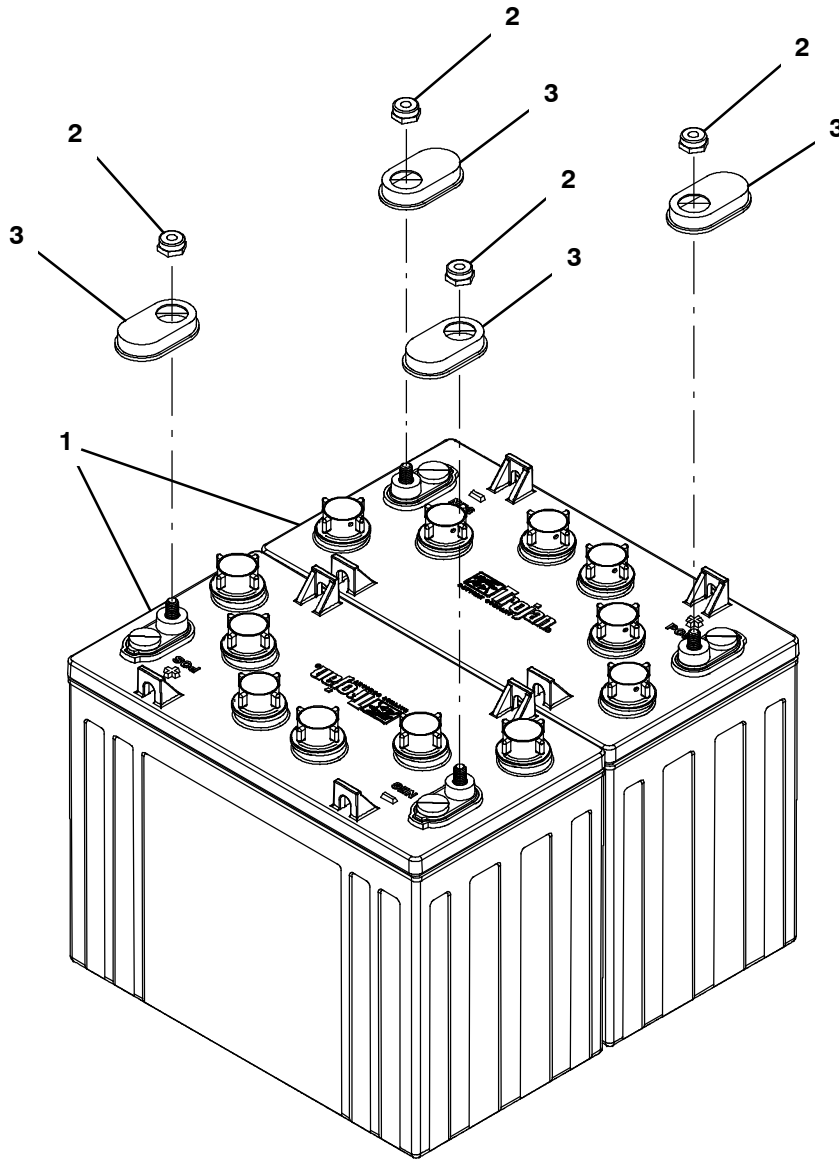
355360



Ref.	Part No.	Serial Number	Description	Qty.
1	130869	(30000000- 40000000)	Battery, Wet, 12vdc 0130ah [30xhs- Wnt]	2
2	87435	(30000000- 40000000)	Nut, Hex, Flexlock, .31- 18	4
3	45962	(30000000- 40000000)	Cap, Battery, White [For 105ah & 130ah]	4

BATTERY GROUP, 155AH C20 WET

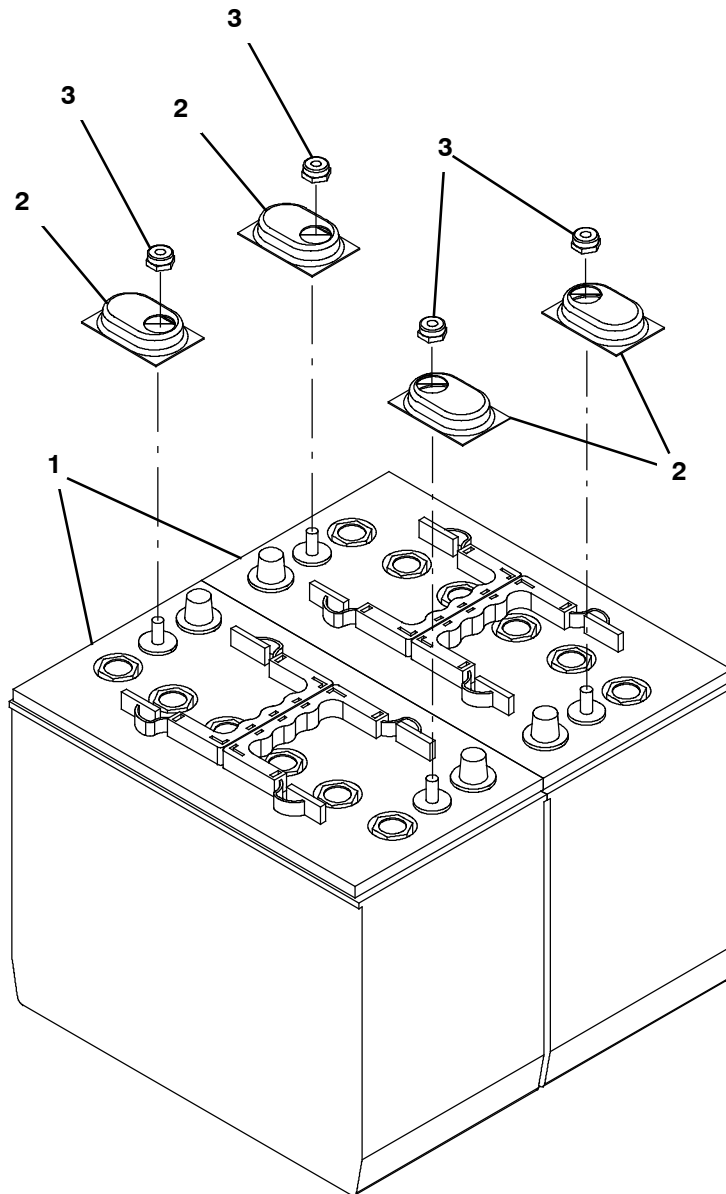
355361



Ref.	Part No.	Serial Number	Description	Qty.
1	1015046	(30000000- 40000000)	Battery, Wet, 12vdc 0155ah	2
2	87435	(30000000- 40000000)	Nut, Hex, Flexlock, .31 - 18	4
3	1041030	(30000000- 40000000)	Cap, Battery, Black [For 155ah]	4

BATTERY GROUP, 140AH C20 AGM

355362

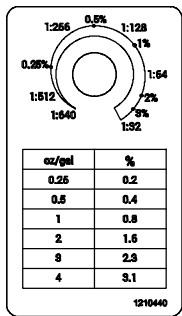
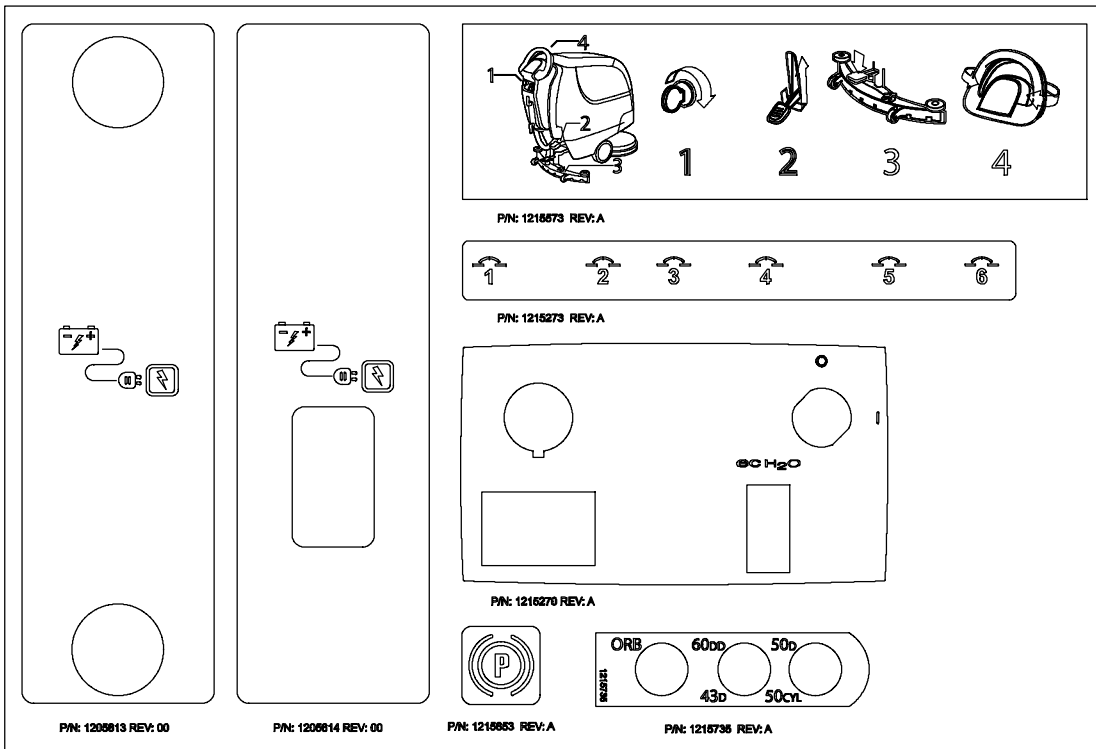


Ref.	Part No.	Serial Number	Description	Qty.
▽	1	1053408	(30000000- 40000000) Battery, 12vdc 0140ah [Agm]	2
▲	2	45962	(30000000- 40000000) Cap, Battery, White [For 105ah & 130ah]	4
	3	87435	(30000000- 40000000) Nut, Hex, Flexlock, .31- 18	4

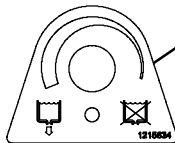
▽ ASSEMBLY

▲ INCLUDED IN ASSEMBLY

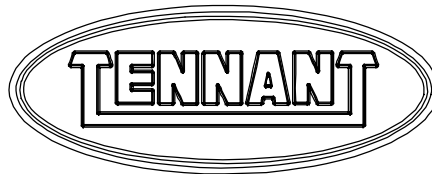
LABEL GROUP



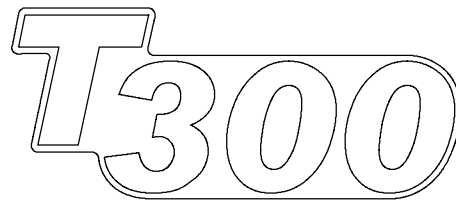
P/N: 1210440 REV: B



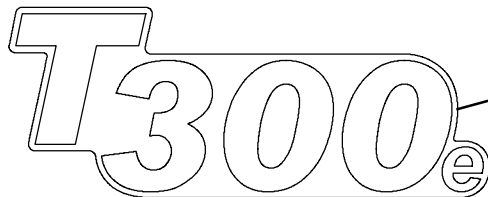
P/N: 1210634 REV: A



4



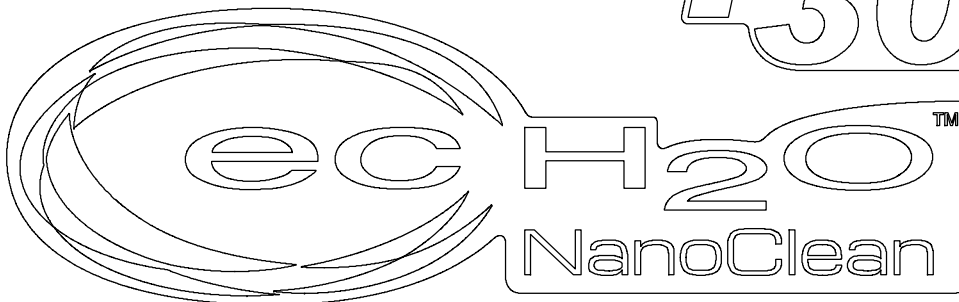
5



6

500 x 355 mm / 20 x 14 in

3



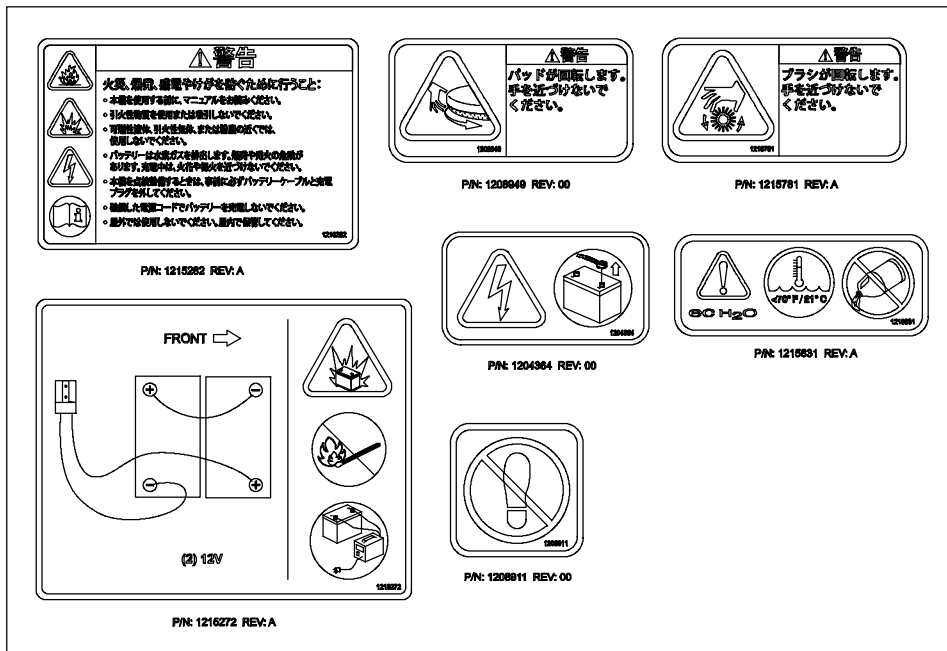
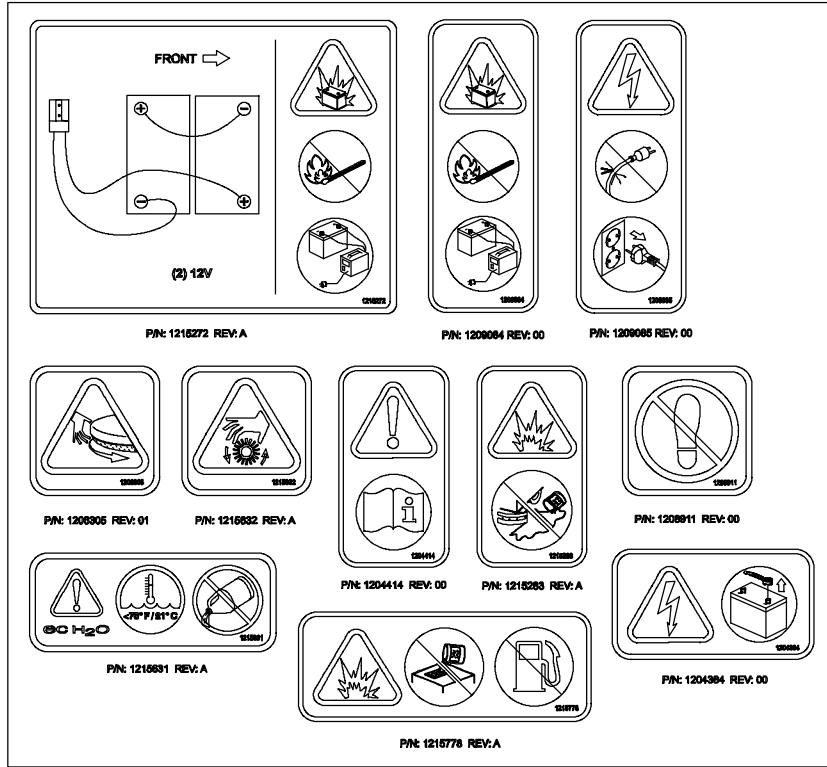
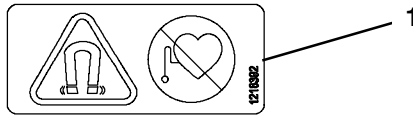
7

LABEL GROUP

Ref.	Part No.	Serial Number	Description	Qty.
1	1215777	(30000000- 40000000)	Label Sheet, Operational	1
2	1210440	(30000000- 40000000)	Label, Opertnl, Detergent Metering (Severe Environment)	1
3	1214279	(30000000- 40000000)	Label, Orbital, Size, 50cm (Orbital Head)	1
4	1205477	(30000000- 40000000)	Nameplate, Tennant, Dome, 5.5in (T300 Model)	1
4	1213114	(30000000- 40000000)	Label, Logo, 05.5l, Blk/Sil [Tennant] (T300e Model)	1
5	1215262	(30000000- 40000000)	Label, T300	2
6	1215263	(30000000- 40000000)	Label, T300e	2
7	1216520	(30000000- 40000000)	Label, Logo [Ech2o Nano] (ec- H2O Model)	2
8	1215634	(30000000- 40000000)	Label, Opertnl, Solution Knob Adj (T300e Model)	1

LABEL GROUP - CONT'D

355386

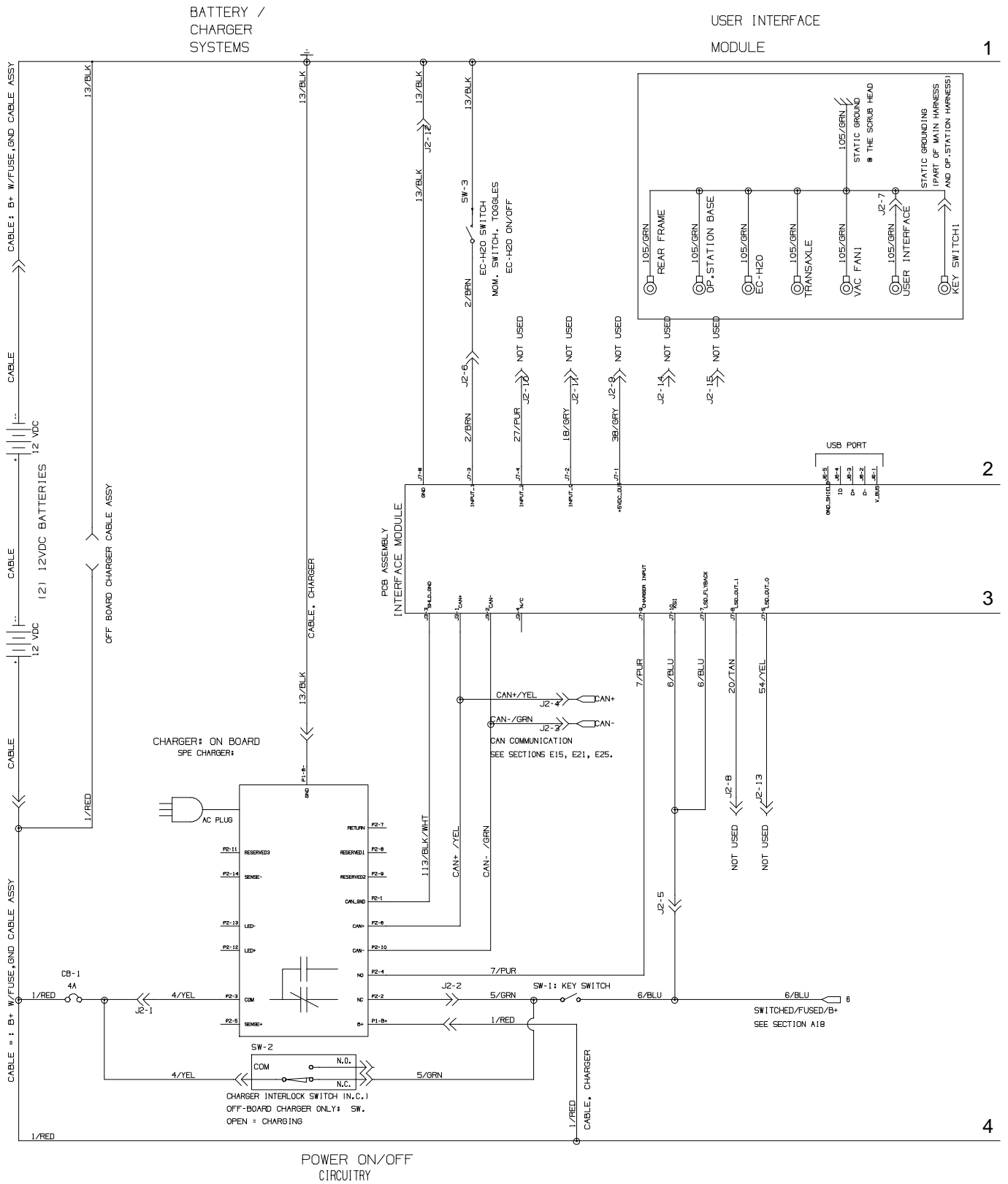


LABEL GROUP - CONT'D

Ref.	Part No.	Serial Number	Description	Qty.
1	1218392	(30000000- 40000000)	Label, Safety, Magnet, Med (Magnetic Heads)	1
2	1215776	(30000000- 40000000)	Label Sheet, Info/Hzrd [Ce] (China)	1
3	1215775	(30000000- 40000000)	Label Sheet, Info/Hzrd [Jp] (Japan)	1

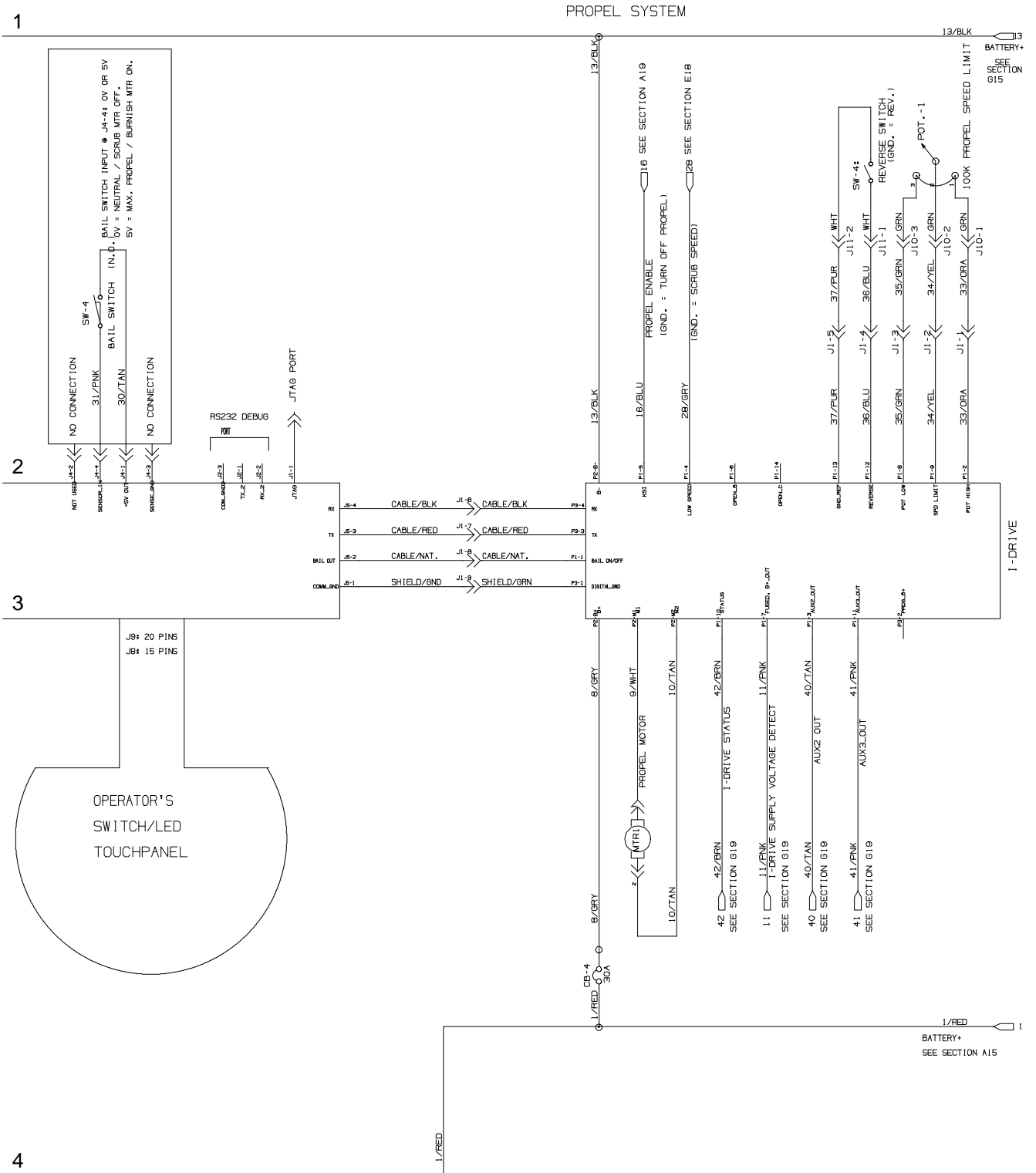
ELECTRICAL DIAGRAM, PROPEL MEMBRANE T300 (PAGE 1 OF 4)

1074705_00



ELECTRICAL DIAGRAM, PROPEL MEMBRANE T300 (PAGE 2 OF 4)

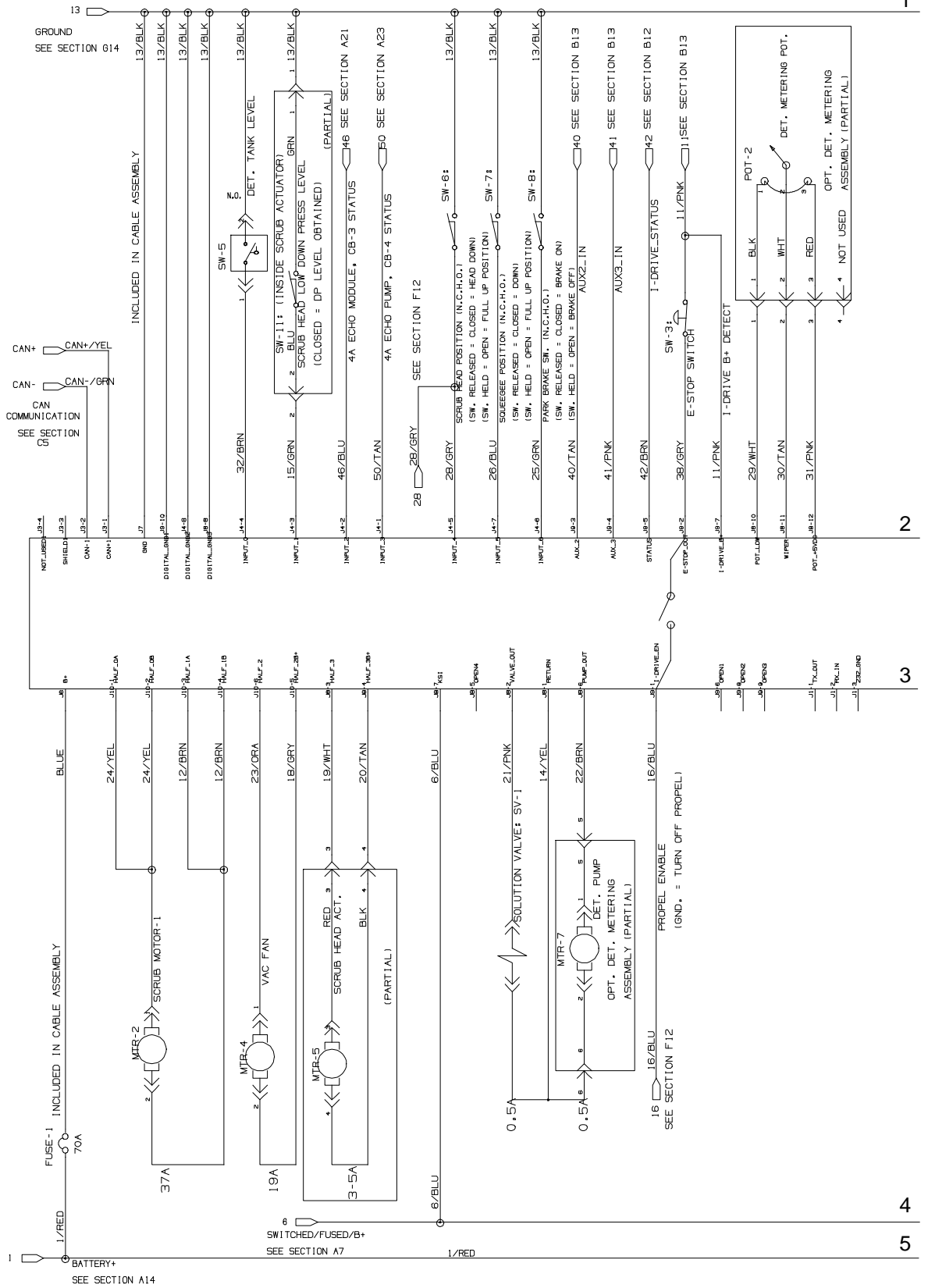
1074705_00



ELECTRICAL DIAGRAM, PROPEL MEMBRANE T300 (PAGE 3 OF 4)

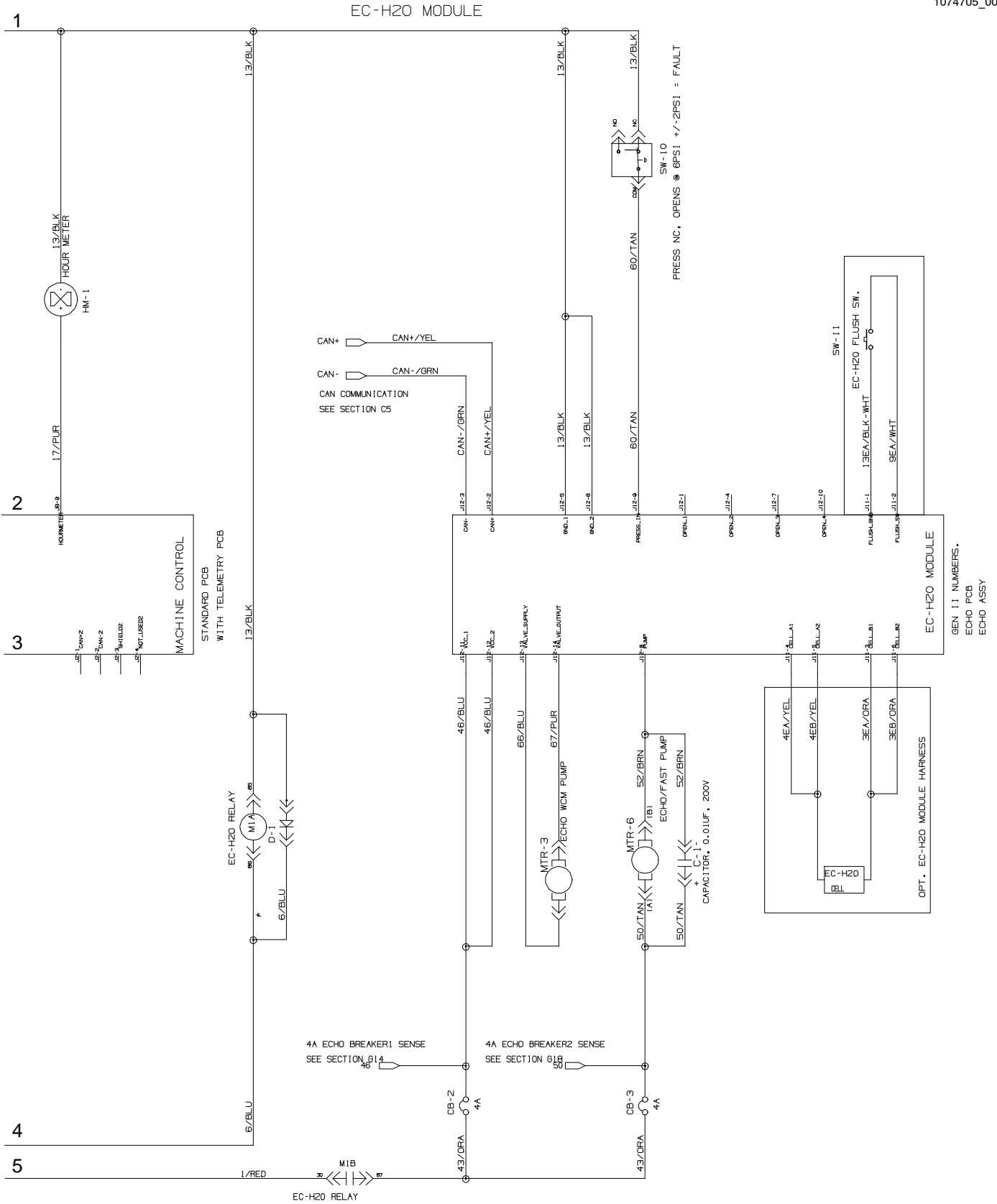
PREMIUM CONTROLLER

1074705_00



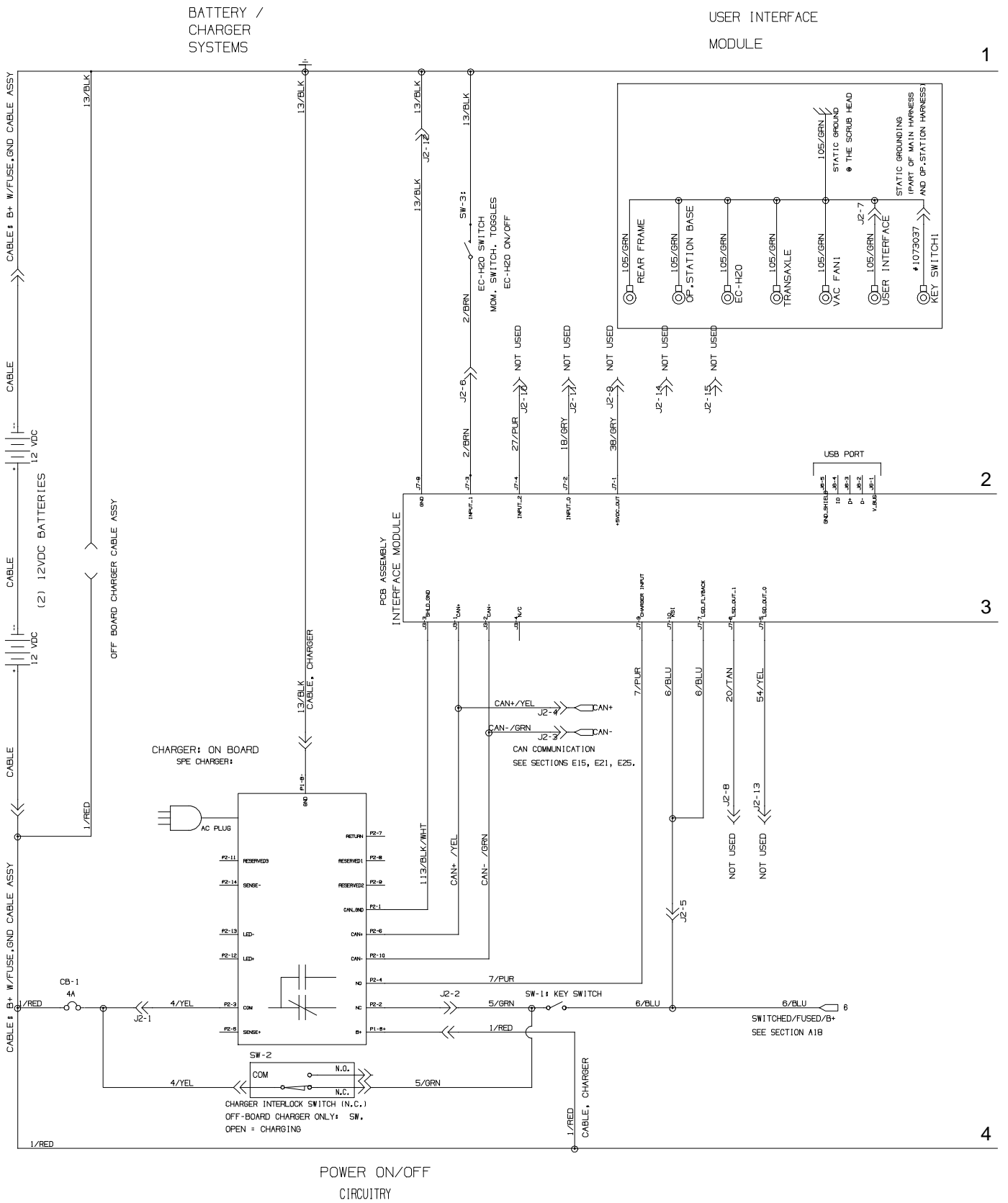
ELECTRICAL DIAGRAM, PROPEL MEMBRANE T300 (PAGE 4 OF 4)

1074705_00



ELECTRICAL DIAGRAM, PUSH MEMBRANE T300 (PAGE 1 OF 4)

1074706_00



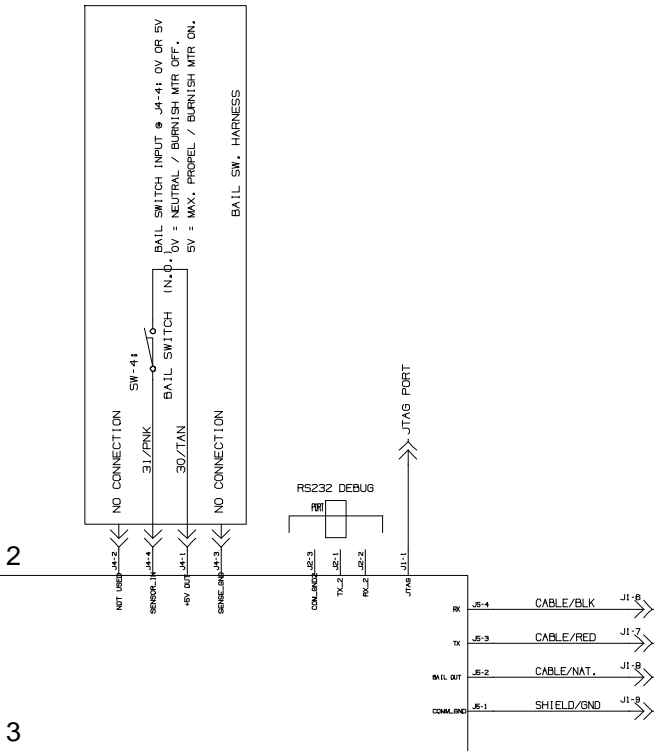
ELECTRICAL DIAGRAM, PUSH MEMBRANE T300 (PAGE 2 OF 4)

1074706_00

PROPEL SYSTEM

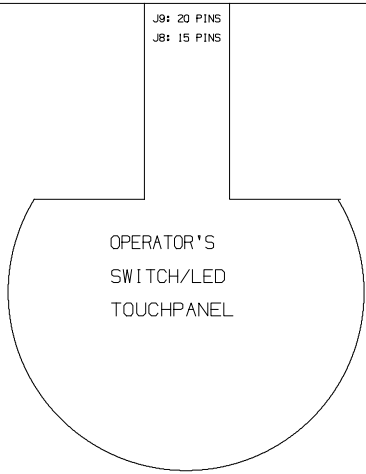
1

13/BLK
BATTERY+
SEE SECTION
G15



2

3



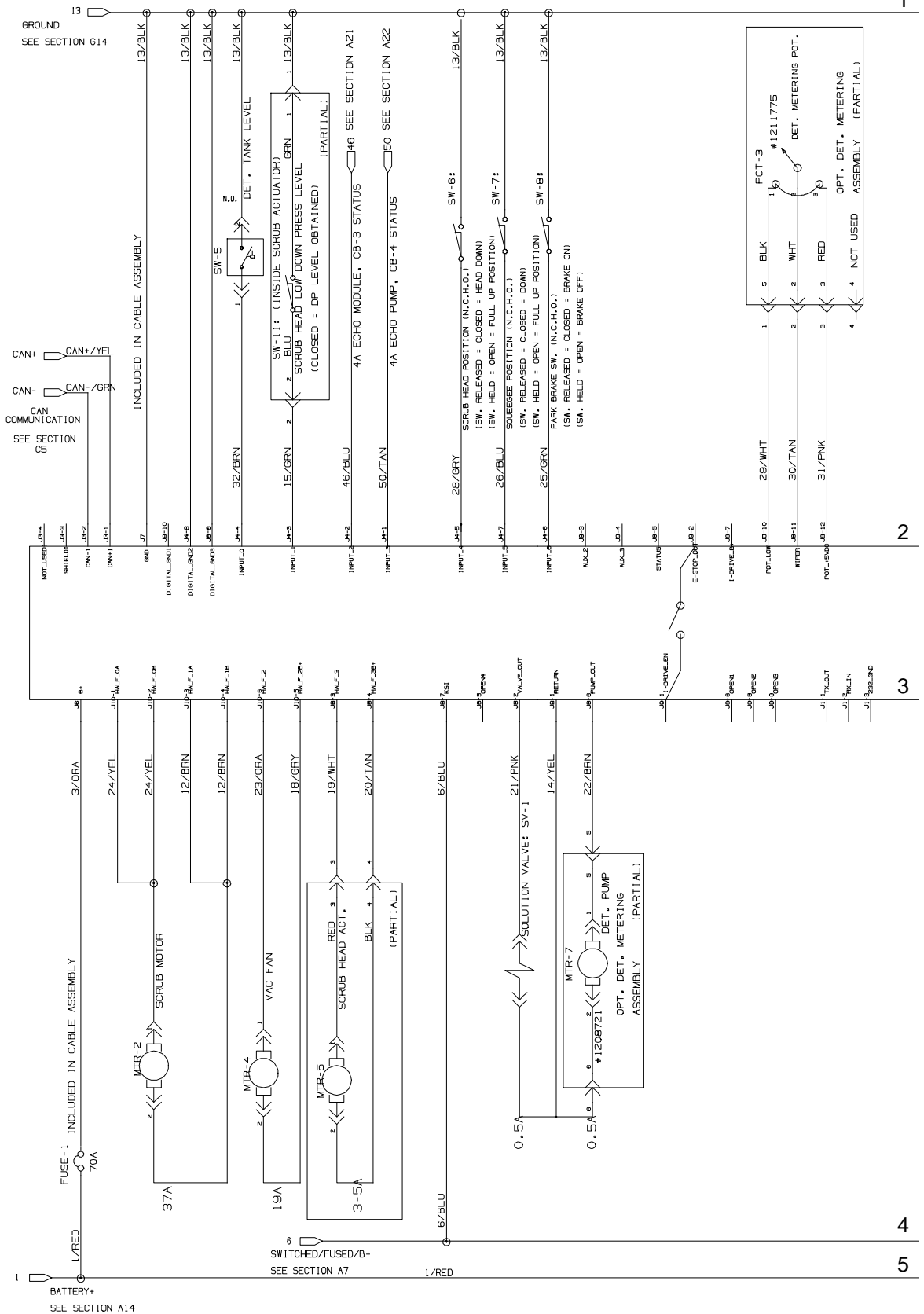
4



ELECTRICAL DIAGRAM, PUSH MEMBRANE T300 (PAGE 3 OF 4)

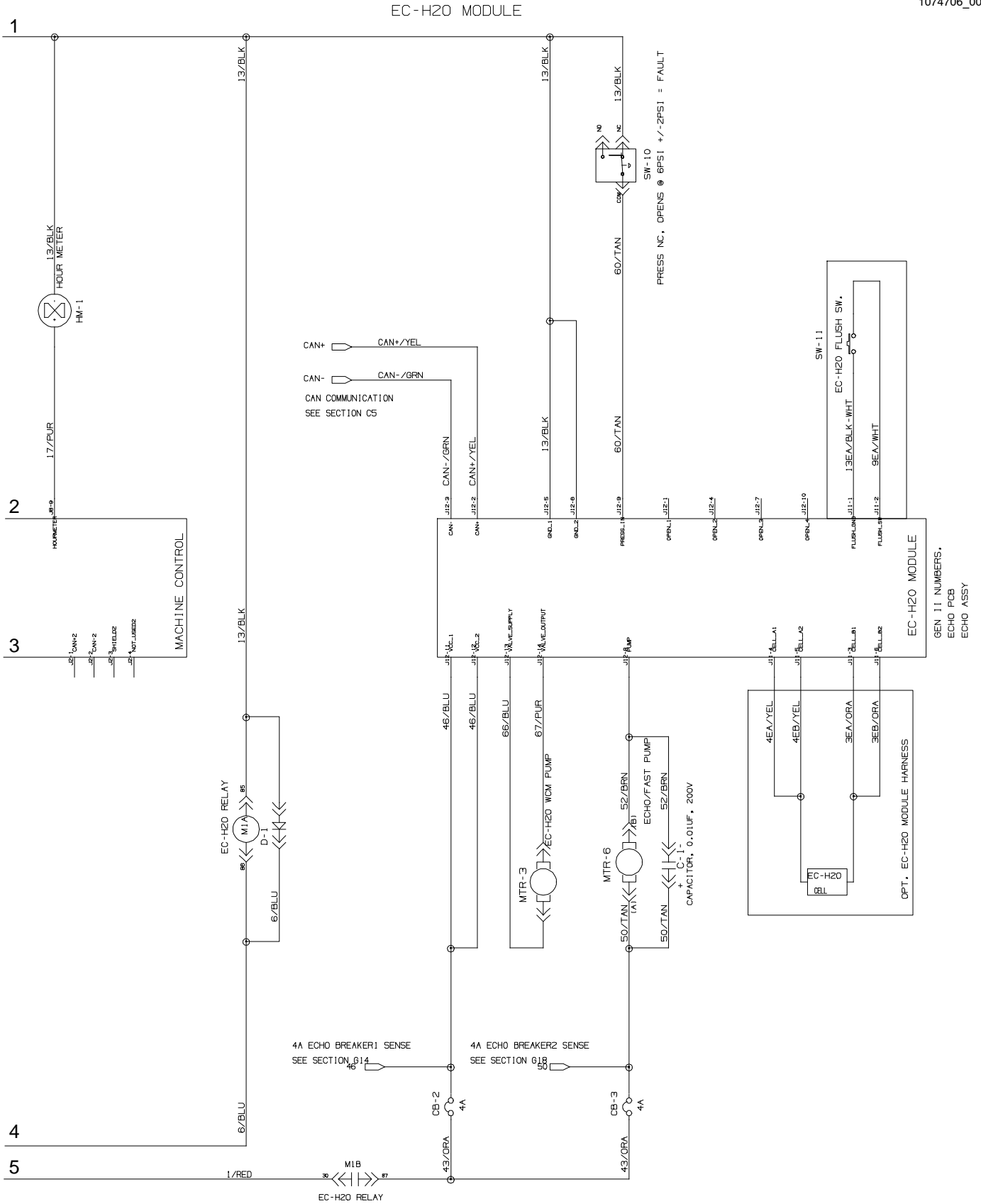
PREMIUM CONTROLLER

1074706_00



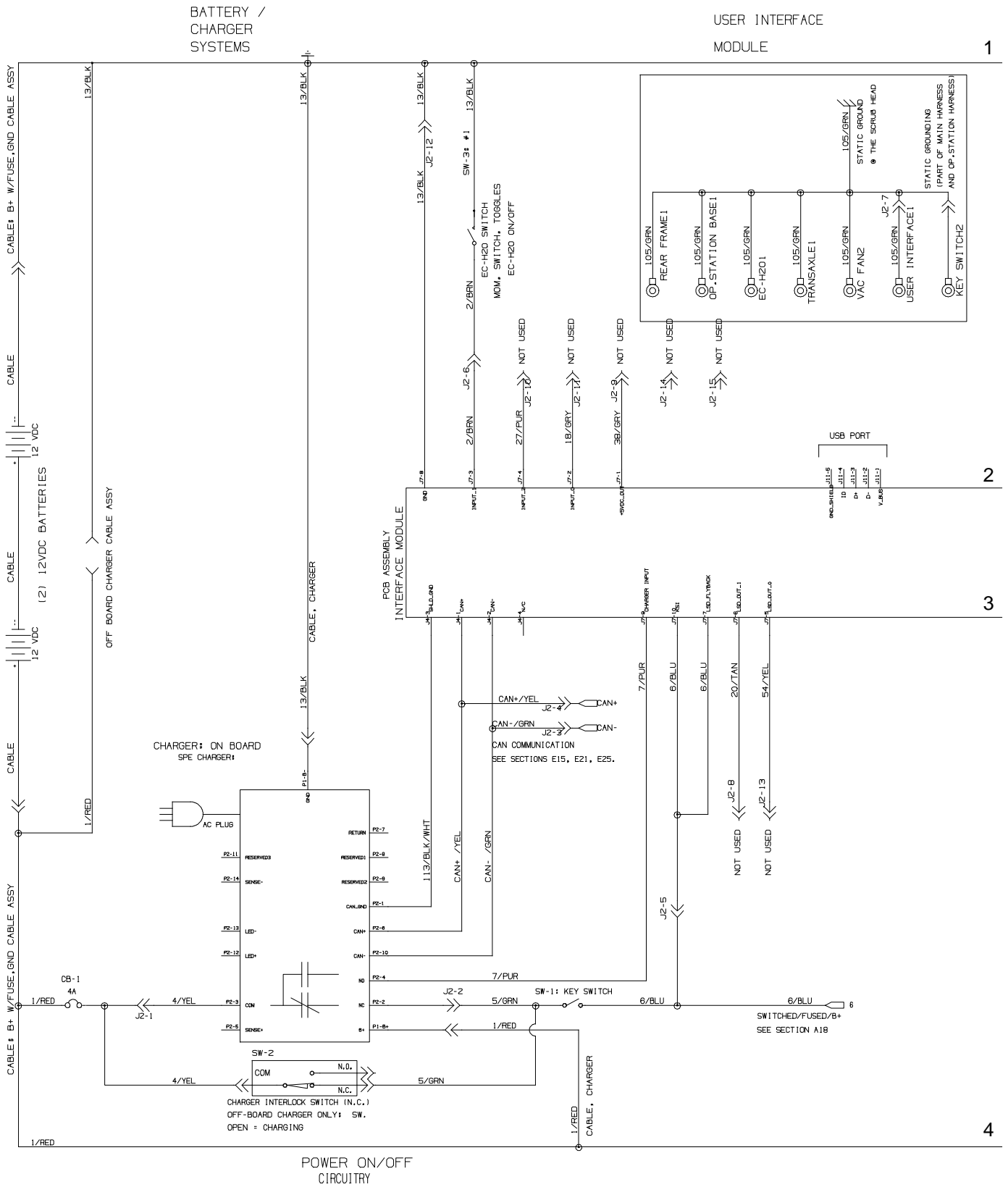
ELECTRICAL DIAGRAM, PUSH MEMBRANE T300 (PAGE 4 OF 4)

1074706_00



ELECTRICAL DIAGRAM, PROPEL PRO-PANEL (LCD) T300 (PAGE 1 OF 4)

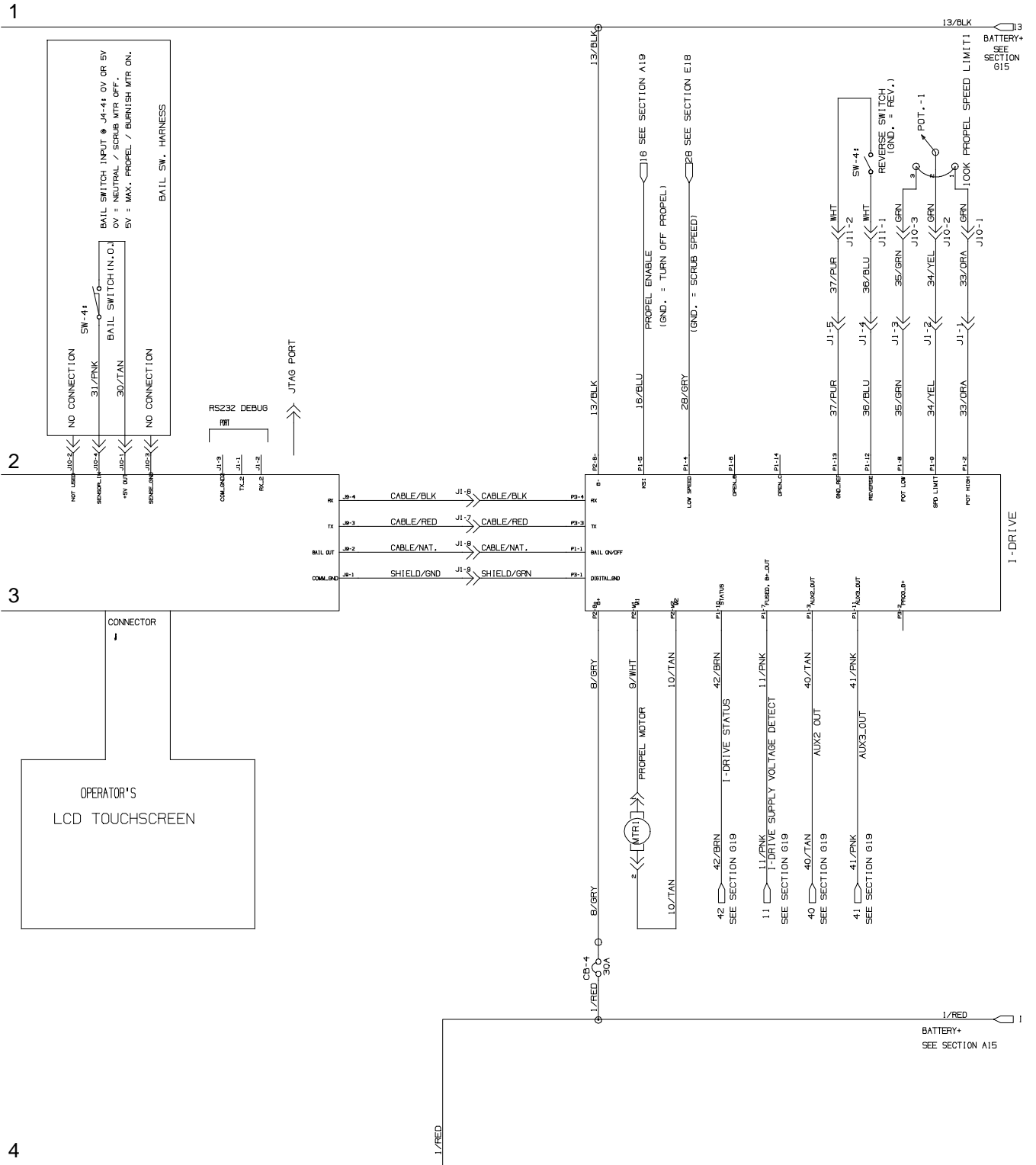
1074705_00



ELECTRICAL DIAGRAM, PROPEL PRO-PANEL (LCD) T300 (PAGE 2 OF 4)

1074705_00

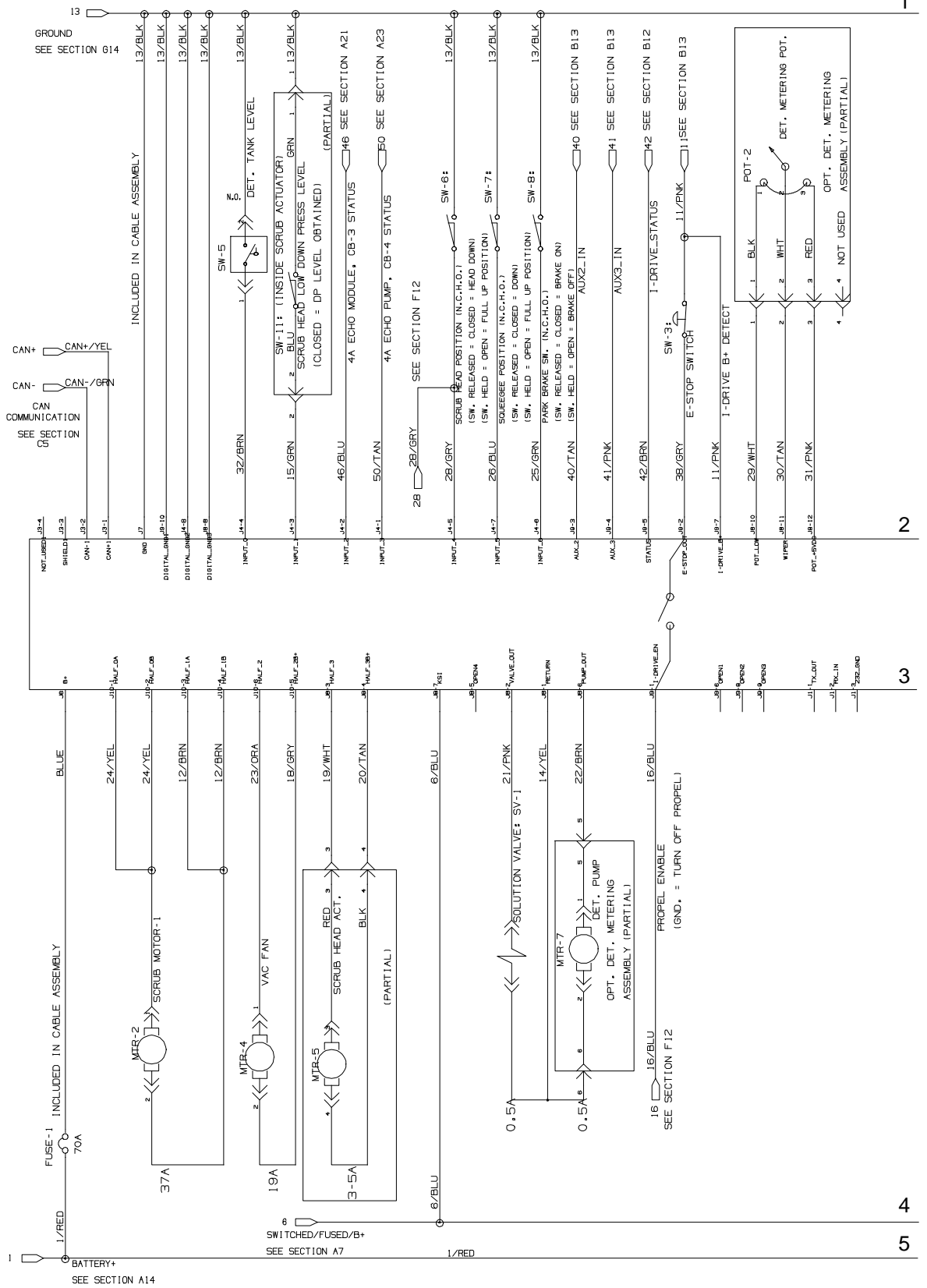
PROPEL SYSTEM



ELECTRICAL DIAGRAM, PROPEL PRO-PANEL (LCD) T300 (PAGE 3 OF 4)

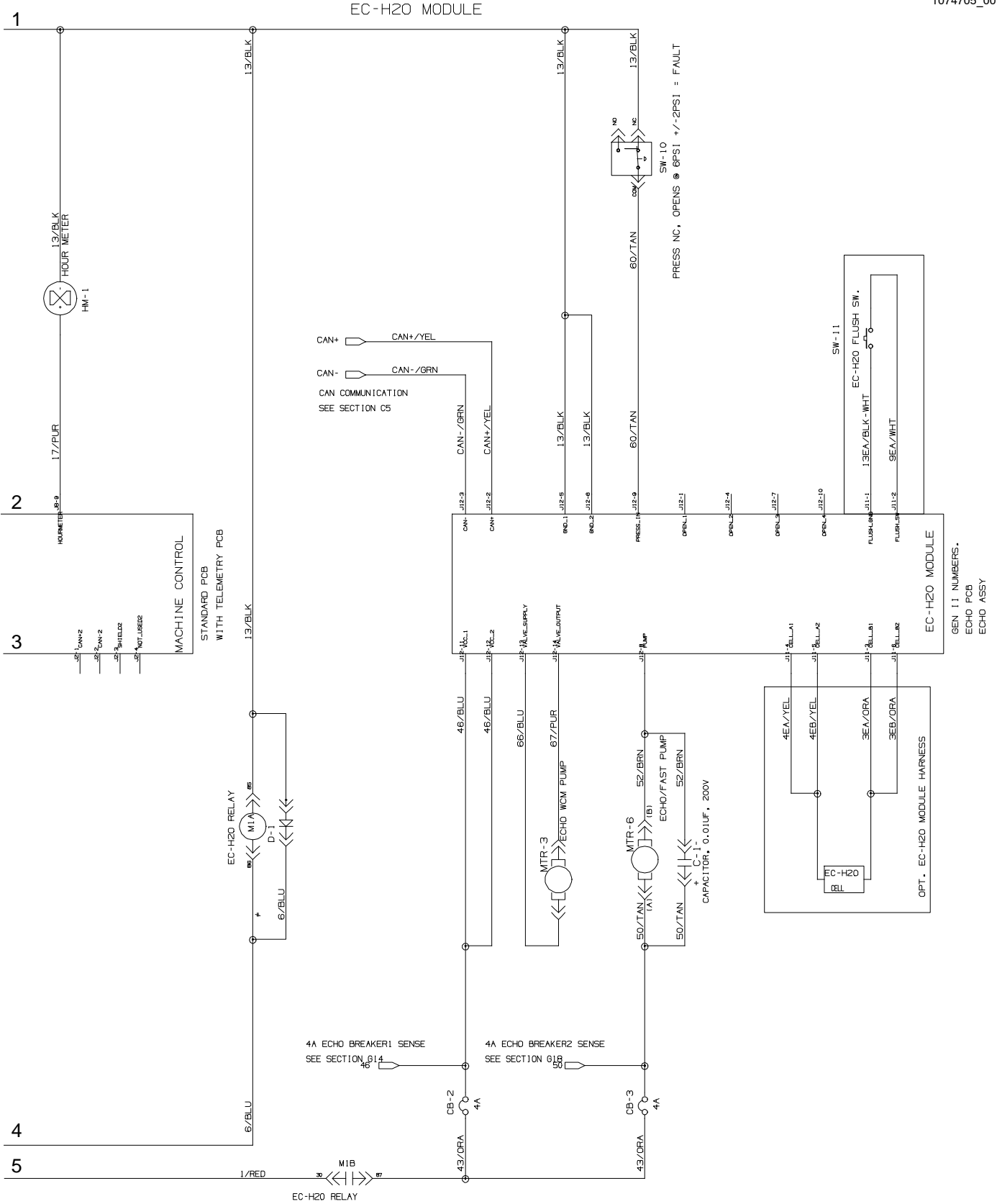
PREMIUM CONTROLLER

1074705_00



ELECTRICAL DIAGRAM, PROPEL PRO-PANEL (LCD) T300 (PAGE 4 OF 4)

1074705_00



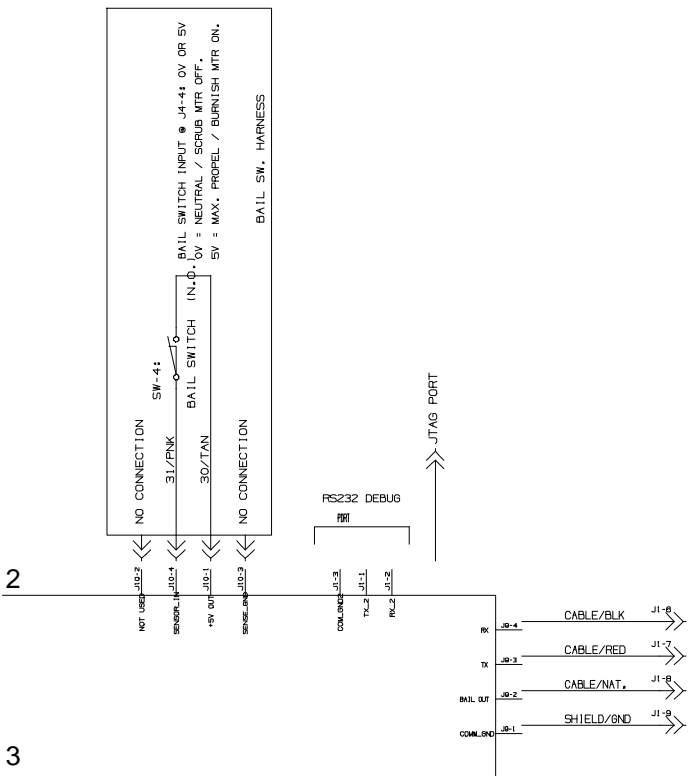
ELECTRICAL DIAGRAM, PUSH PRO-PANEL (LCD) T300 (PAGE 2 OF 4)

1074706_00

PROPEL SYSTEM

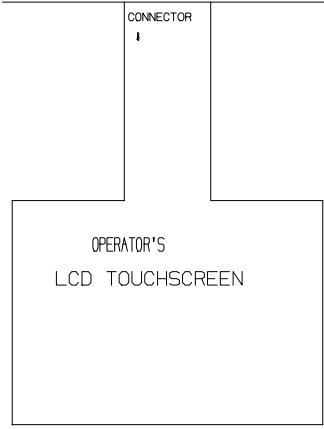
13/BLK
BATTERY+
SEE SECTION G15

1



2

3



4

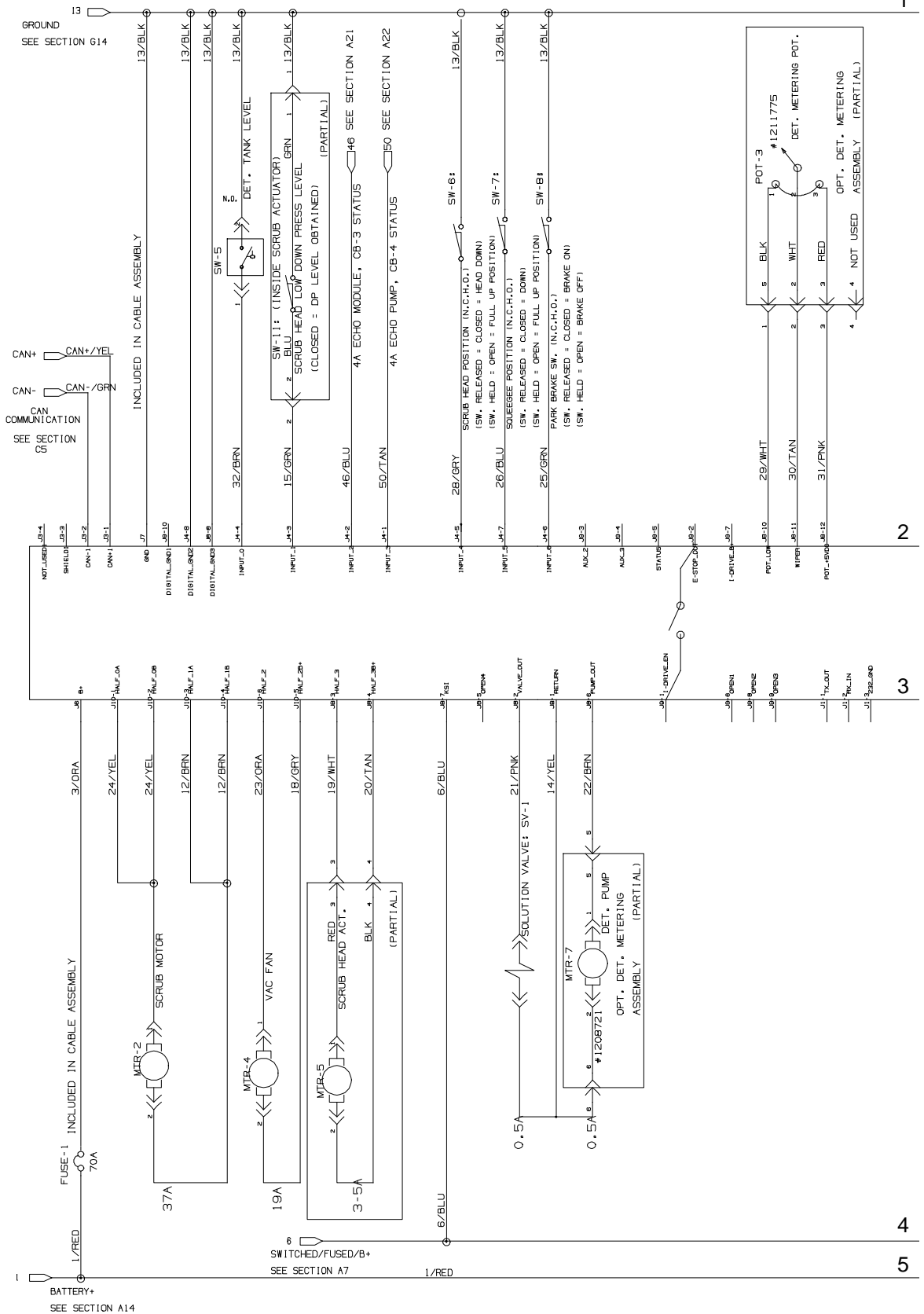


1/RED
BATTERY+
SEE SECTION A15

ELECTRICAL DIAGRAM, PUSH PRO-PANEL (LCD) T300 (PAGE 3 OF 4)

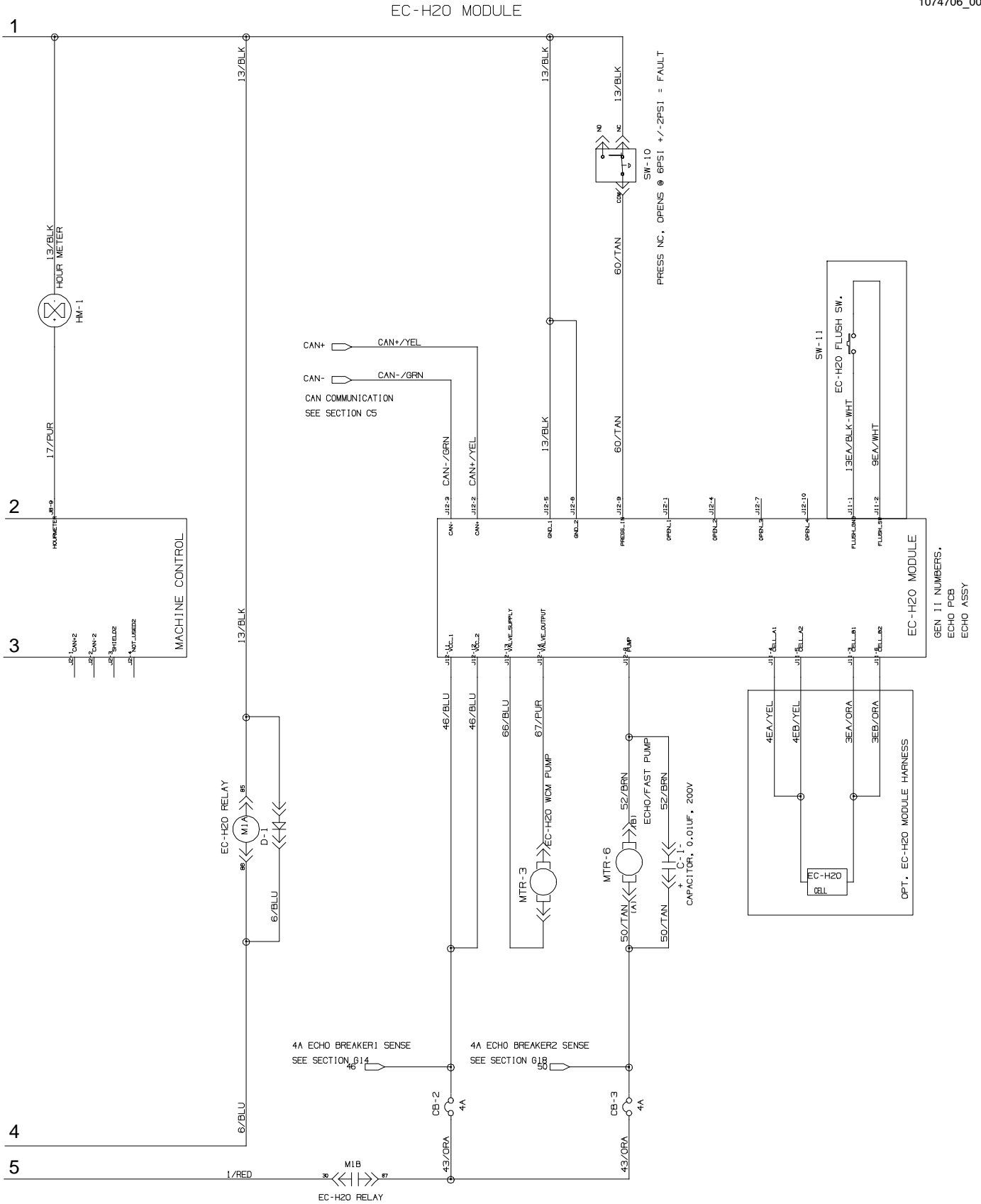
PREMIUM CONTROLLER

1074706_00



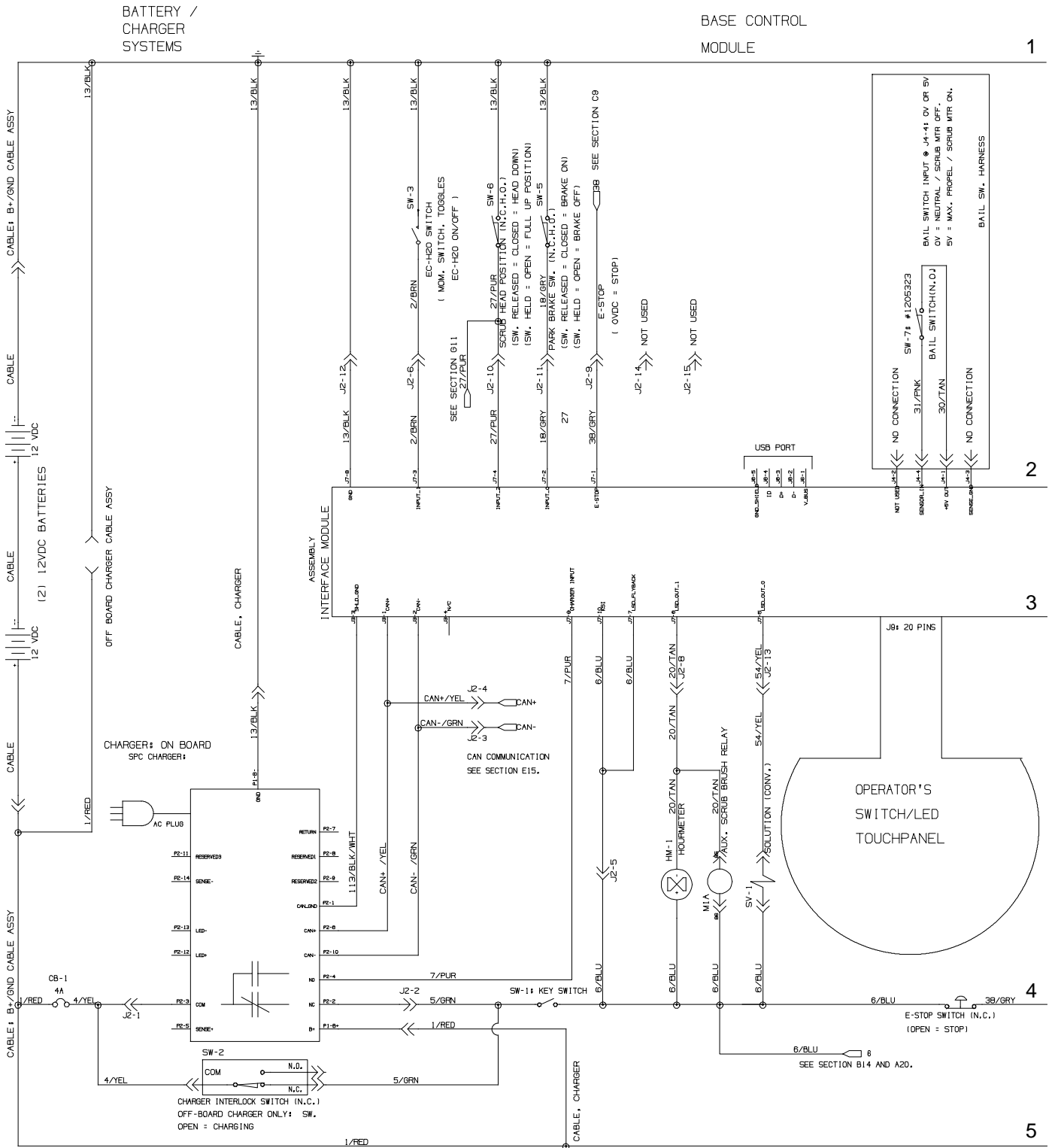
ELECTRICAL DIAGRAM, PUSH PRO-PANEL (LCD) T300 (PAGE 4 OF 4)

1074706_00



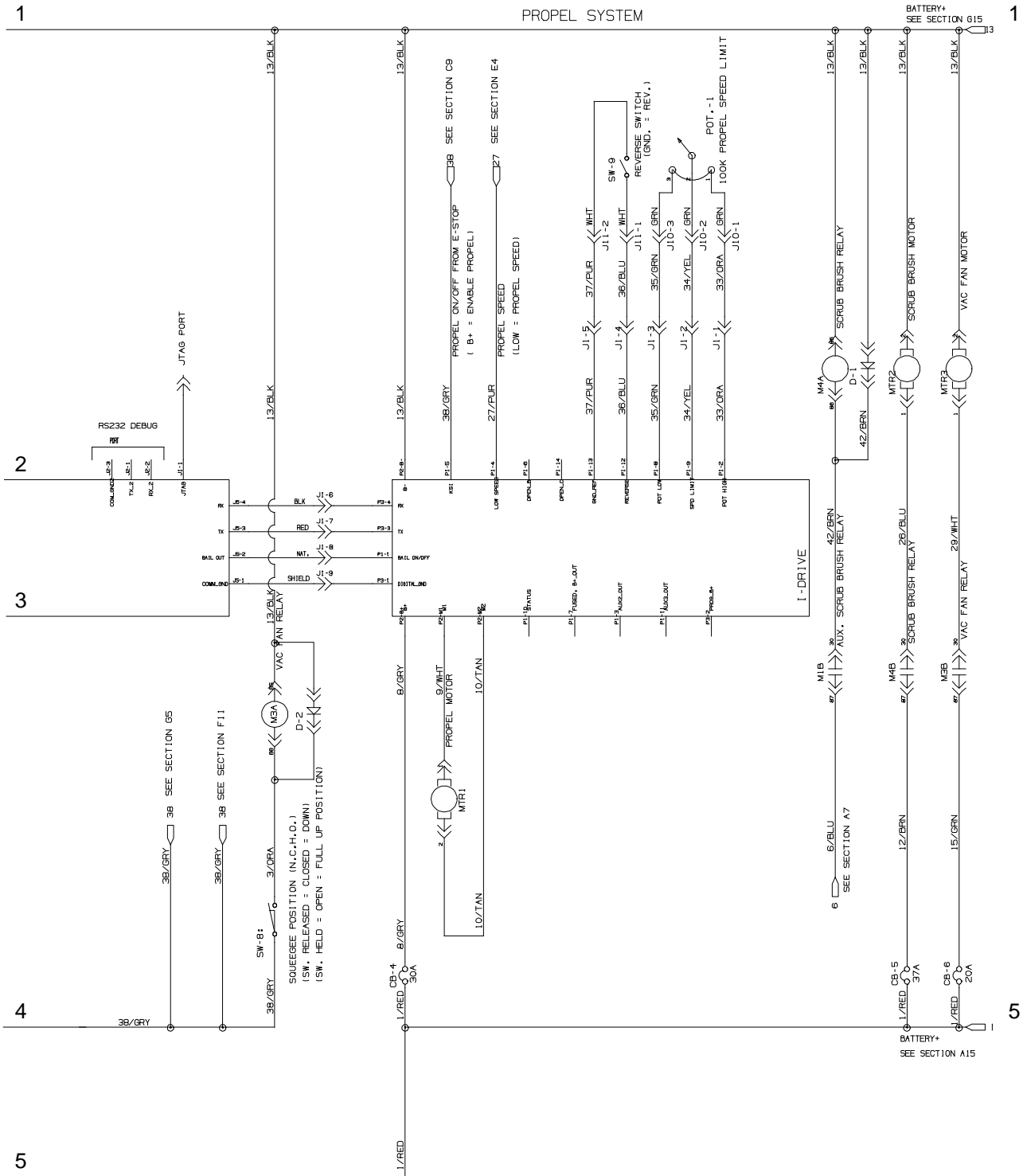
ELECTRICAL DIAGRAM, PROPEL T300e (PAGE 1 OF 3)

1074707_00



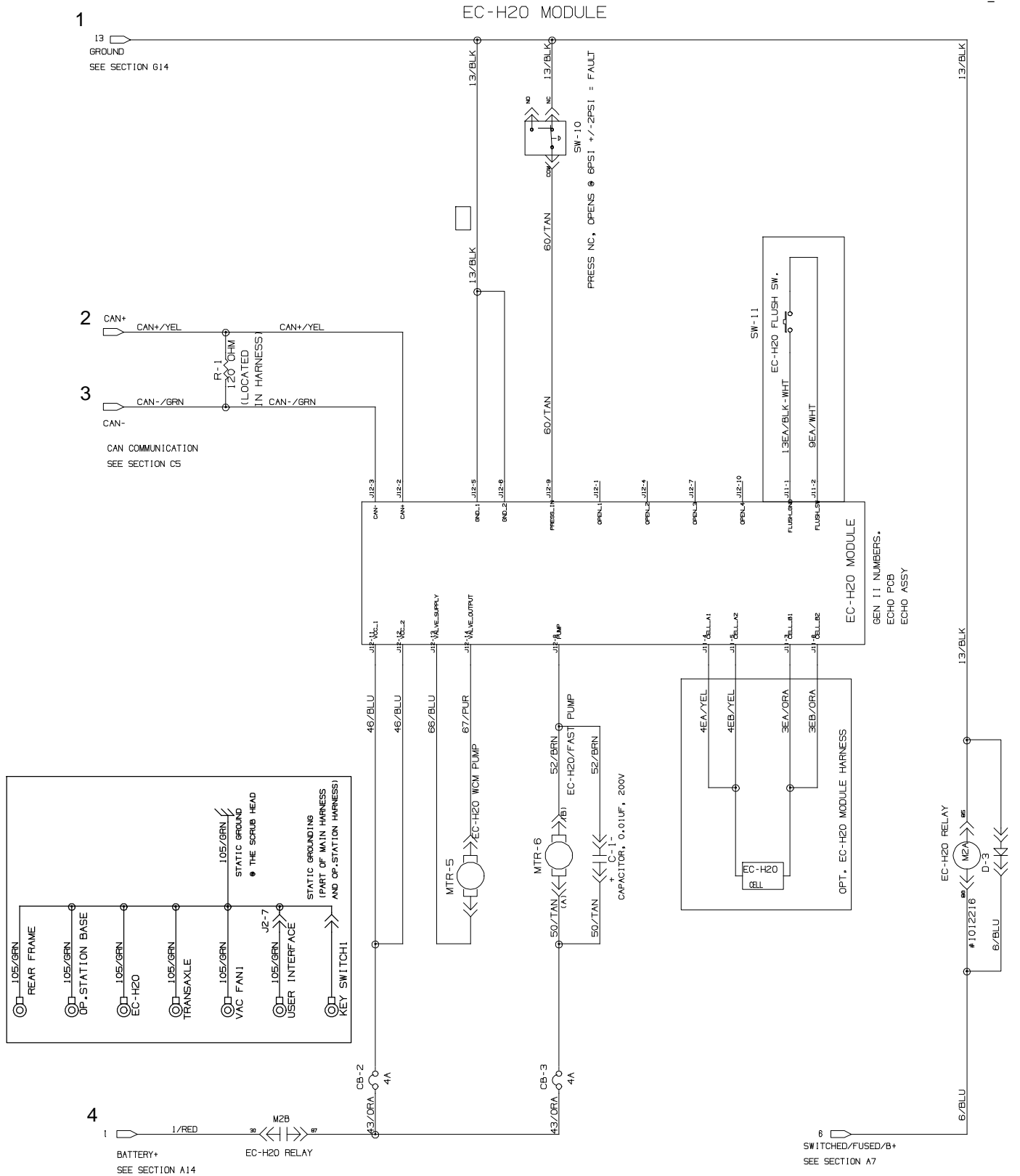
ELECTRICAL DIAGRAM, PROPEL T300e (PAGE 2 OF 3)

1074707_00



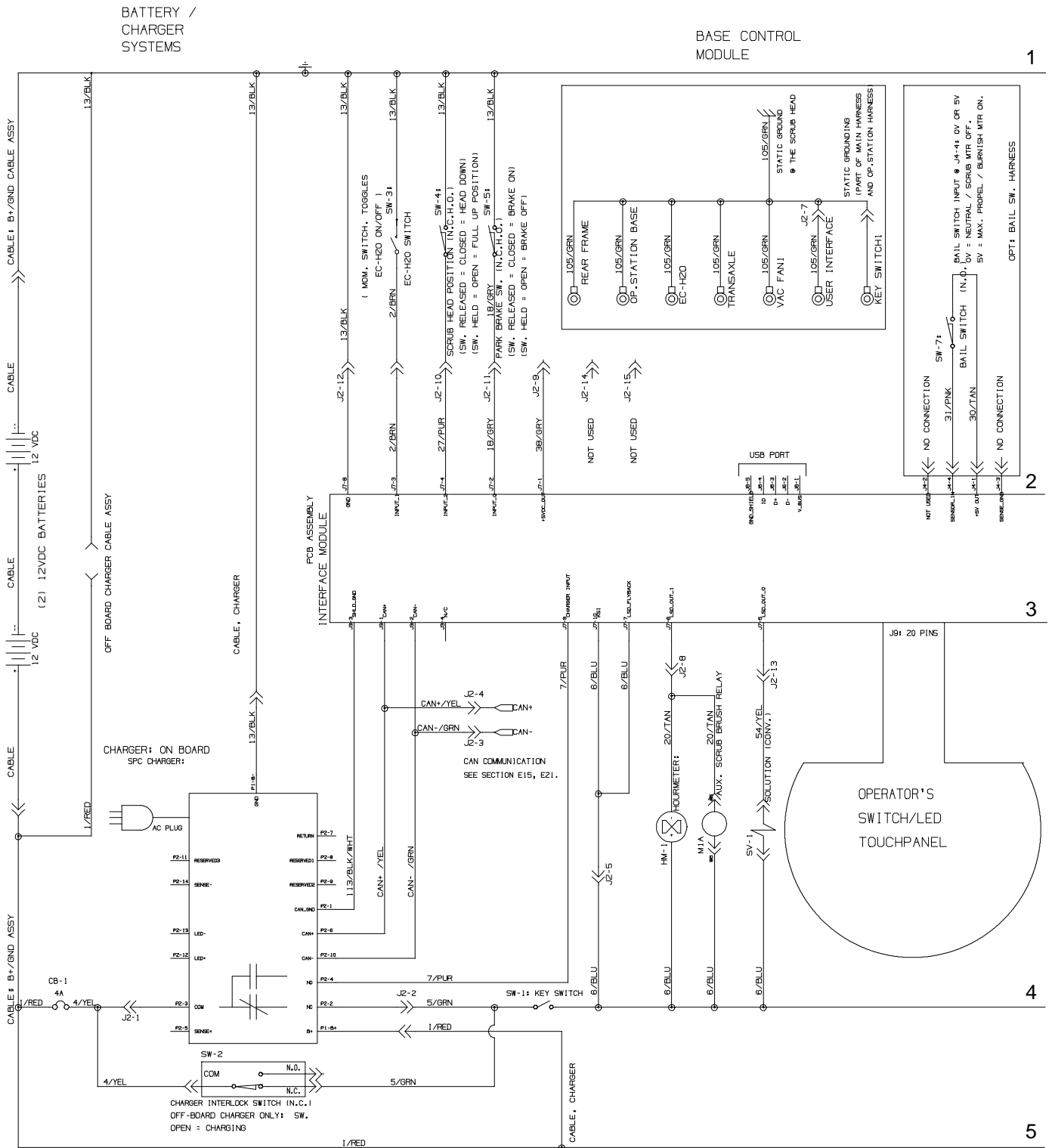
ELECTRICAL DIAGRAM, PROPEL T300e (PAGE 3 OF 3)

1074707_00



ELECTRICAL DIAGRAM, PUSH T300e (PAGE 1 OF 3)

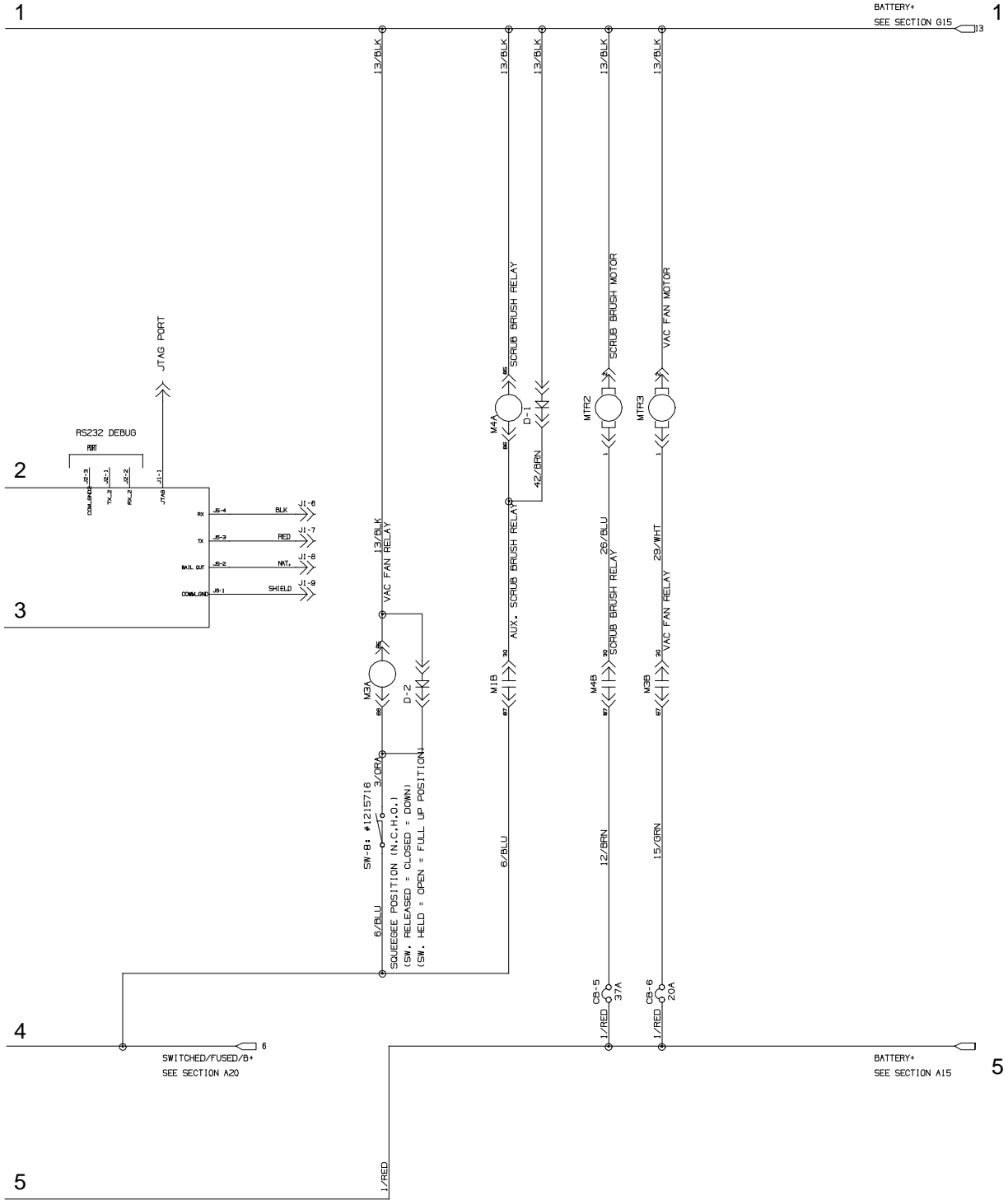
1074708_00



ELECTRICAL DIAGRAM, PUSH T300e (PAGE 2 OF 3)

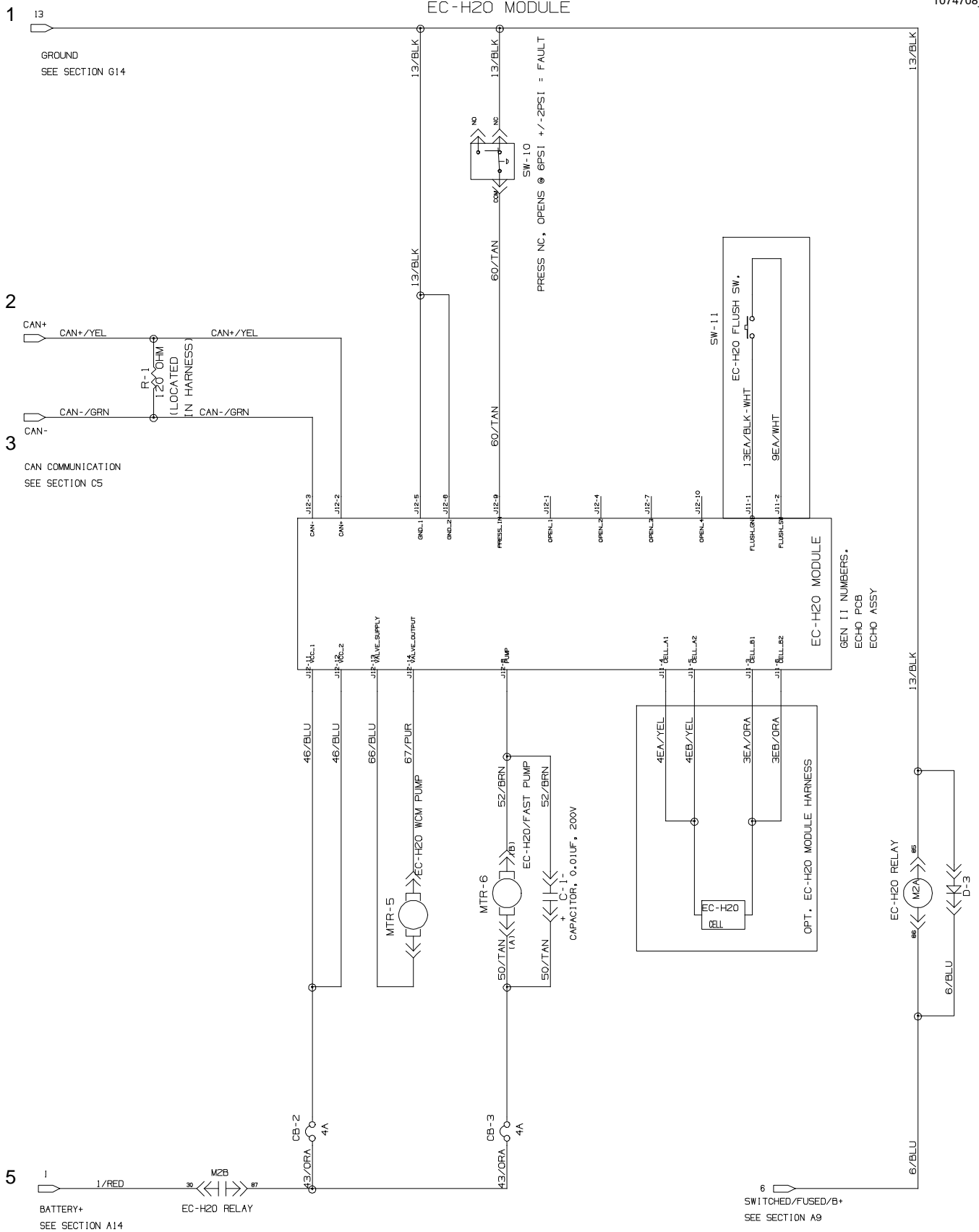
1074708_00

PROPEL SYSTEM



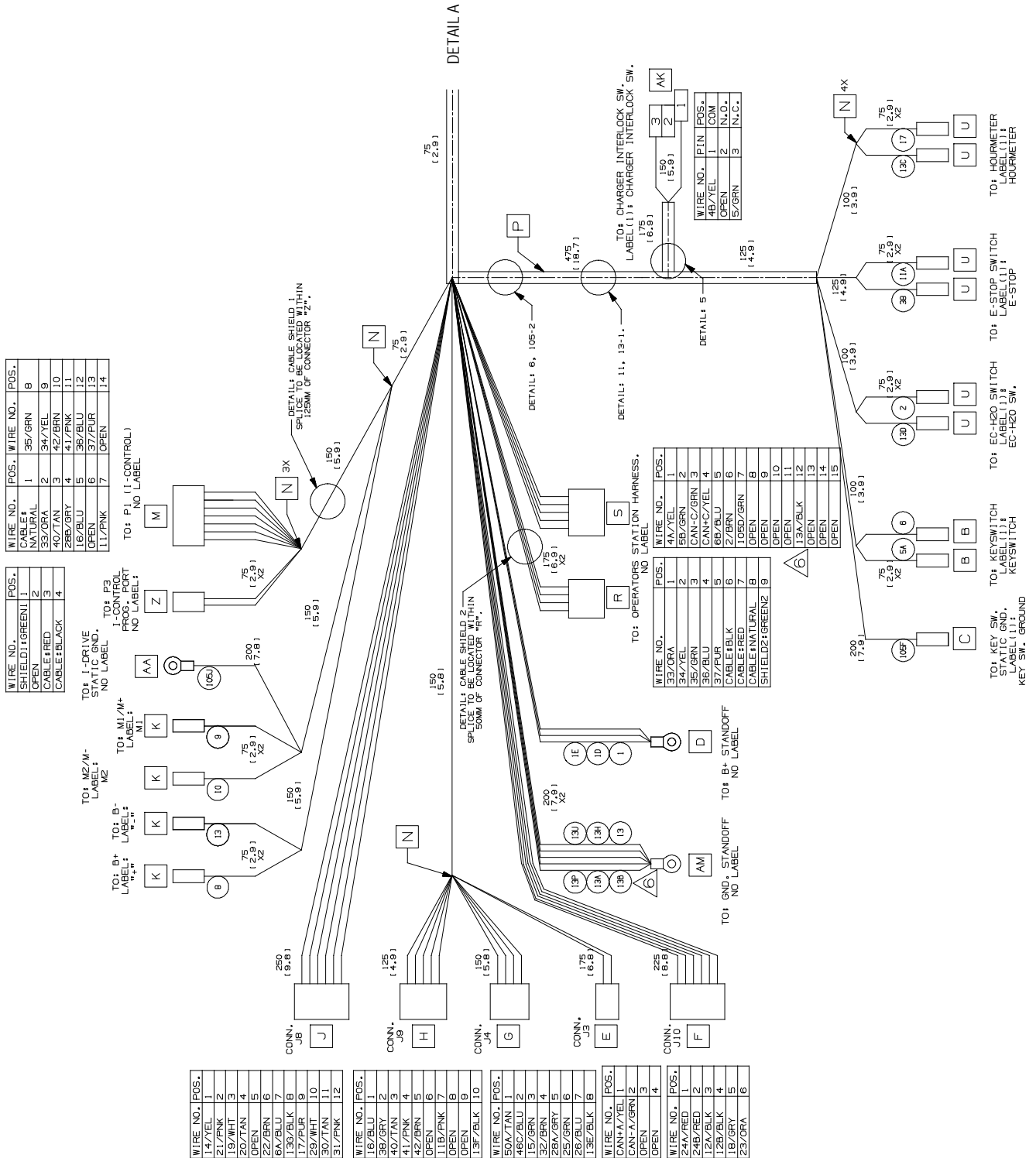
ELECTRICAL DIAGRAM, PUSH T300e (PAGE 3 OF 3)

1074708_00



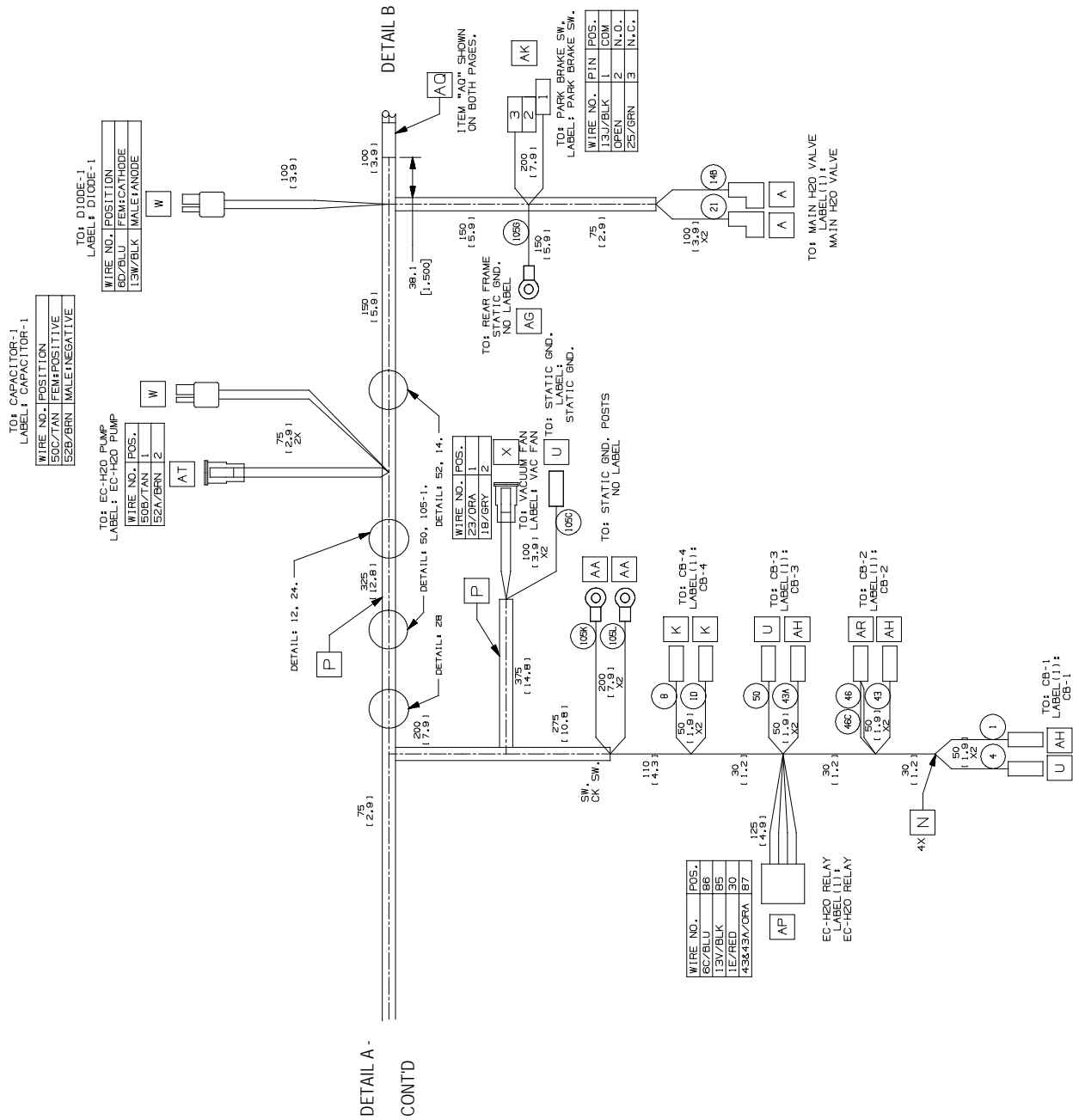
ELECTRICAL HARNESS, MAIN PROPEL T300 (S/N 30066322 -) (PAGE 1 OF 3)

1075323_02



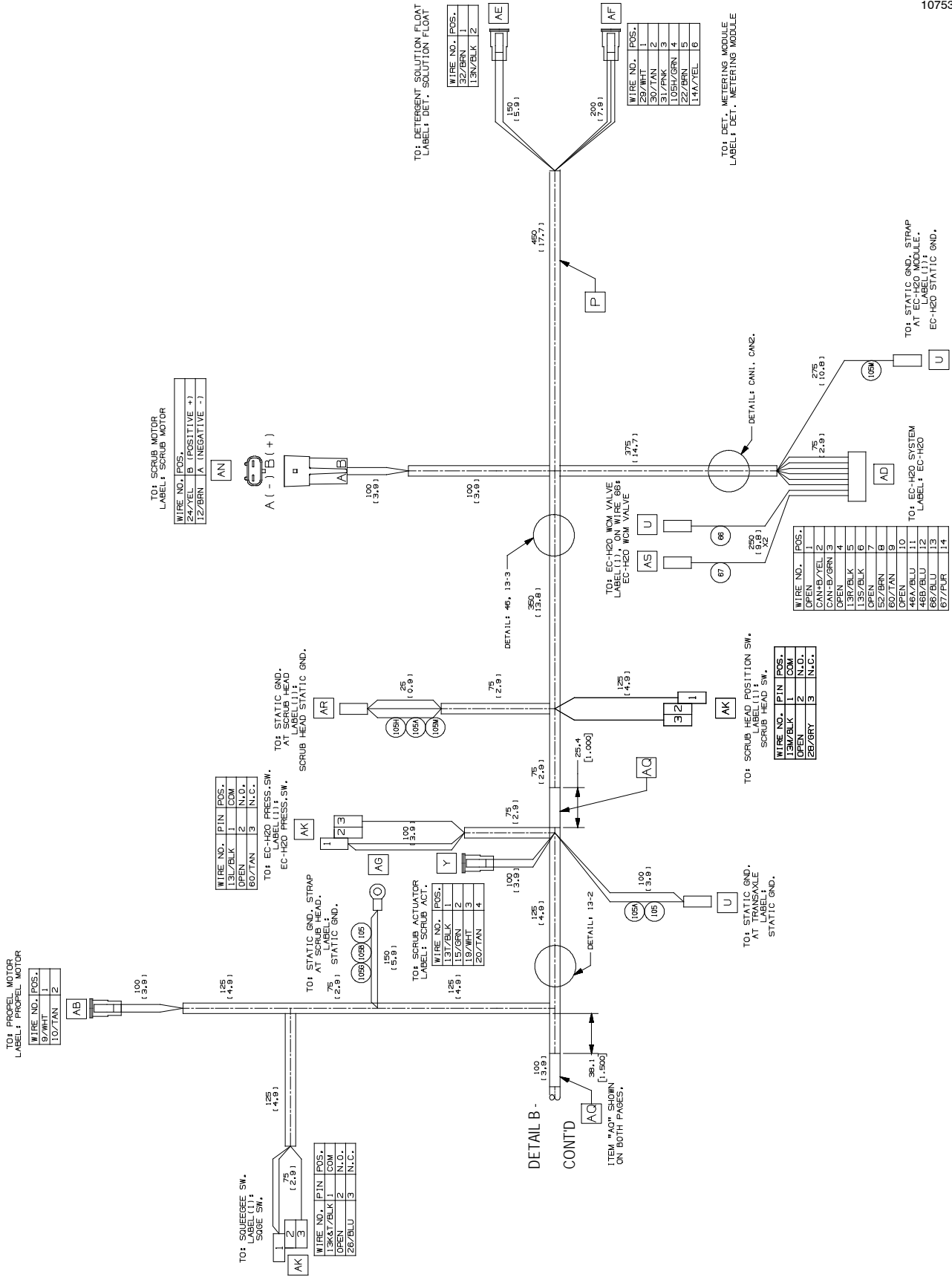
ELECTRICAL HARNESS, MAIN PROPEL T300 (S/N 30066322 -) (PAGE 2 OF 3)

1075323_02



ELECTRICAL HARNESS, MAIN PROPEL T300 (S/N 30066322 -) (PAGE 3 OF 3)

1075323_02



ELECTRICAL HARNESS, MAIN PROPEL T300 (S/N 30066322 -)

	Part No.	Serial Number	Description	Qty.
▽	1075323	(30066322- 40000000)	Harness, Main, Ele [Vw, Premium, Propel]	1
▲	222290	(30000000- 40000000)	Diode, Ele, Plug	3

▽ ASSEMBLY

▲ INCLUDED IN ASSEMBLY

ELECTRICAL HARNESS, MAIN PROPEL T300 (S/N 30000000 - 30066321)

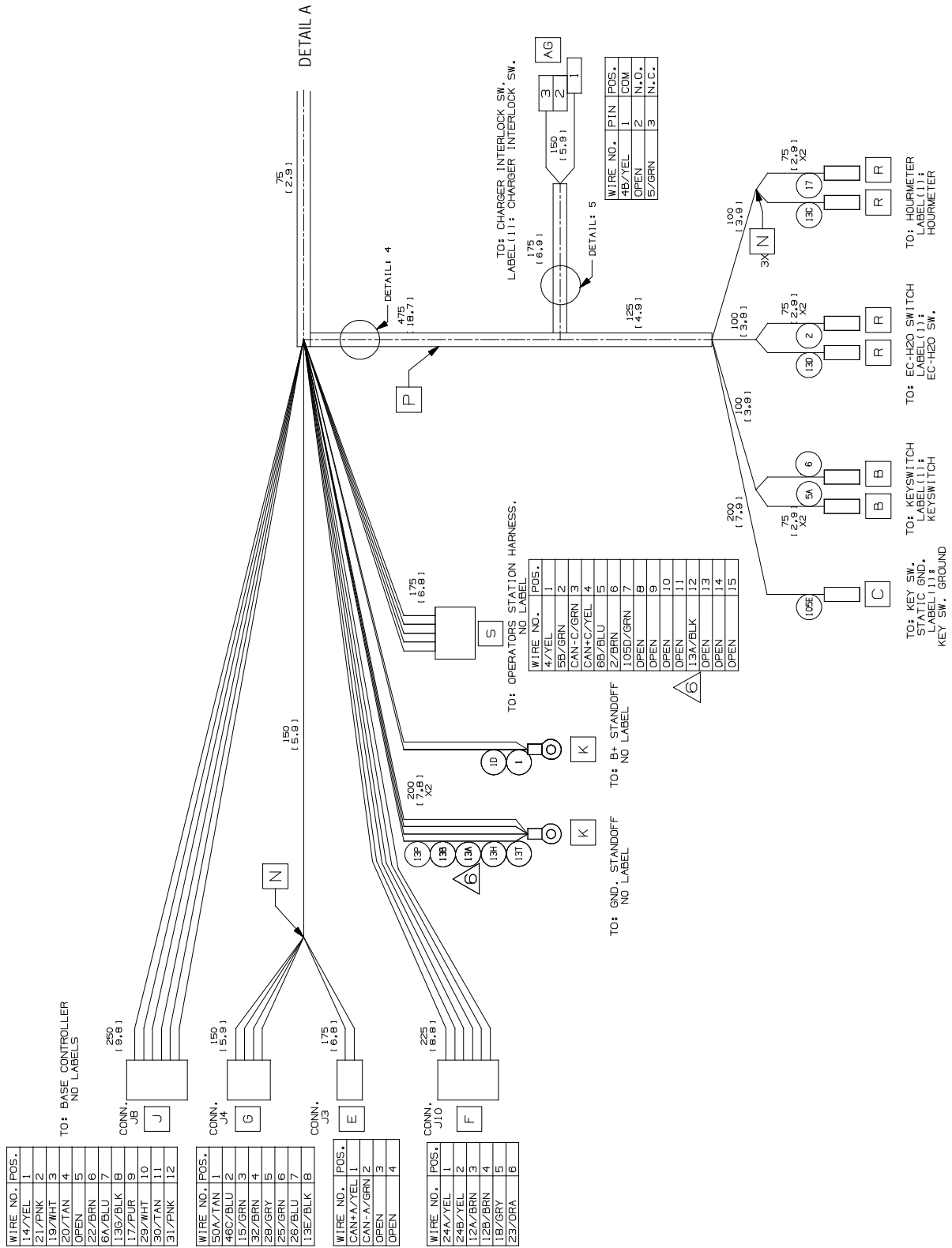
	Part No.	Serial Number	Description	Qty.
▽	1073678	(30000000- 30066321)	Harness, Main, Ele [Vw, Premium, Propel] (Replaced By 9015157)	1
▲	222290	(30000000- 40000000)	Diode, Ele, Plug	3

▽ ASSEMBLY

▲ INCLUDED IN ASSEMBLY

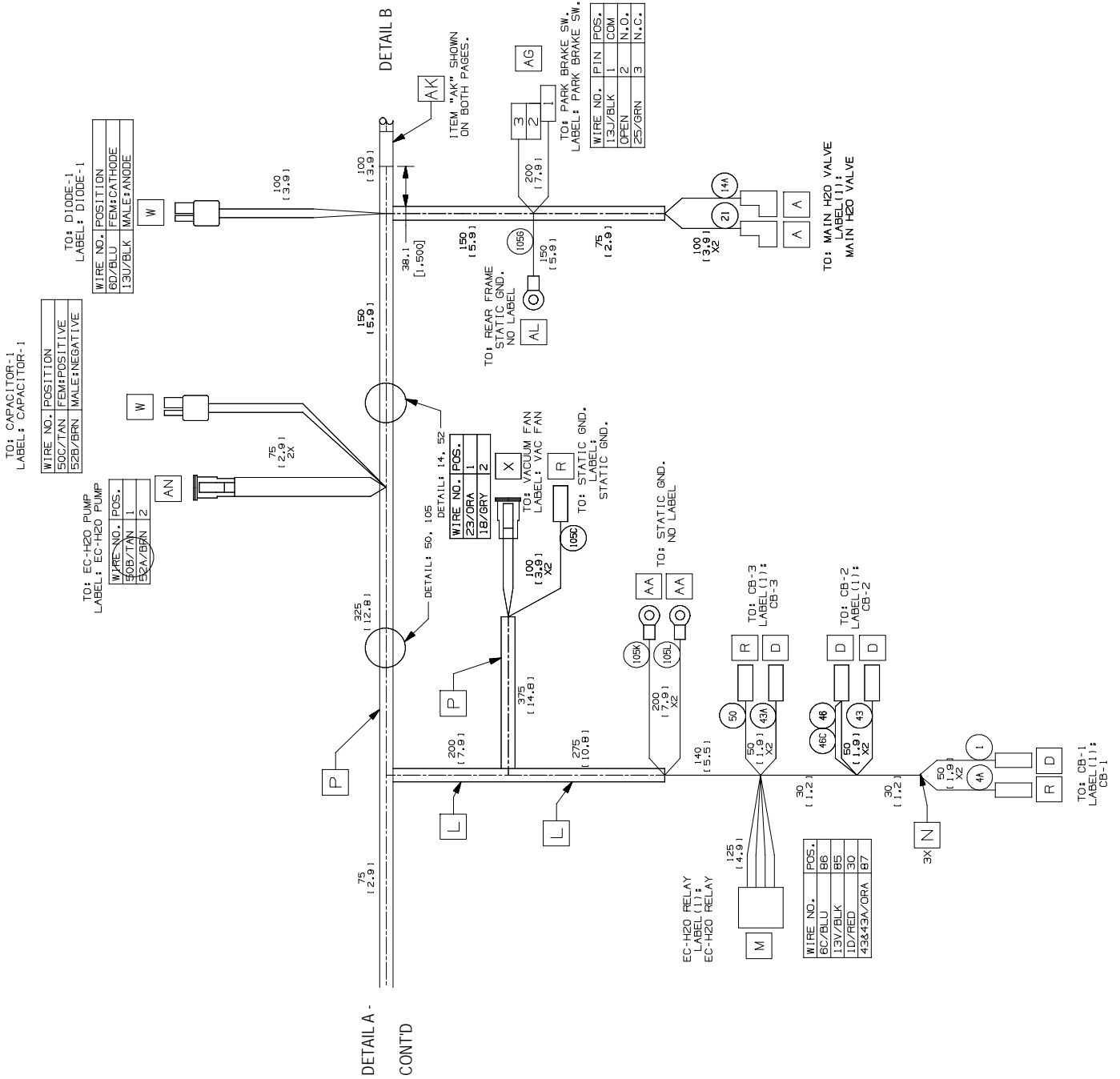
ELECTRICAL HARNESS, MAIN PUSH T300 (S/N 30066322 -) (PAGE 1 OF 3)

1075324_02



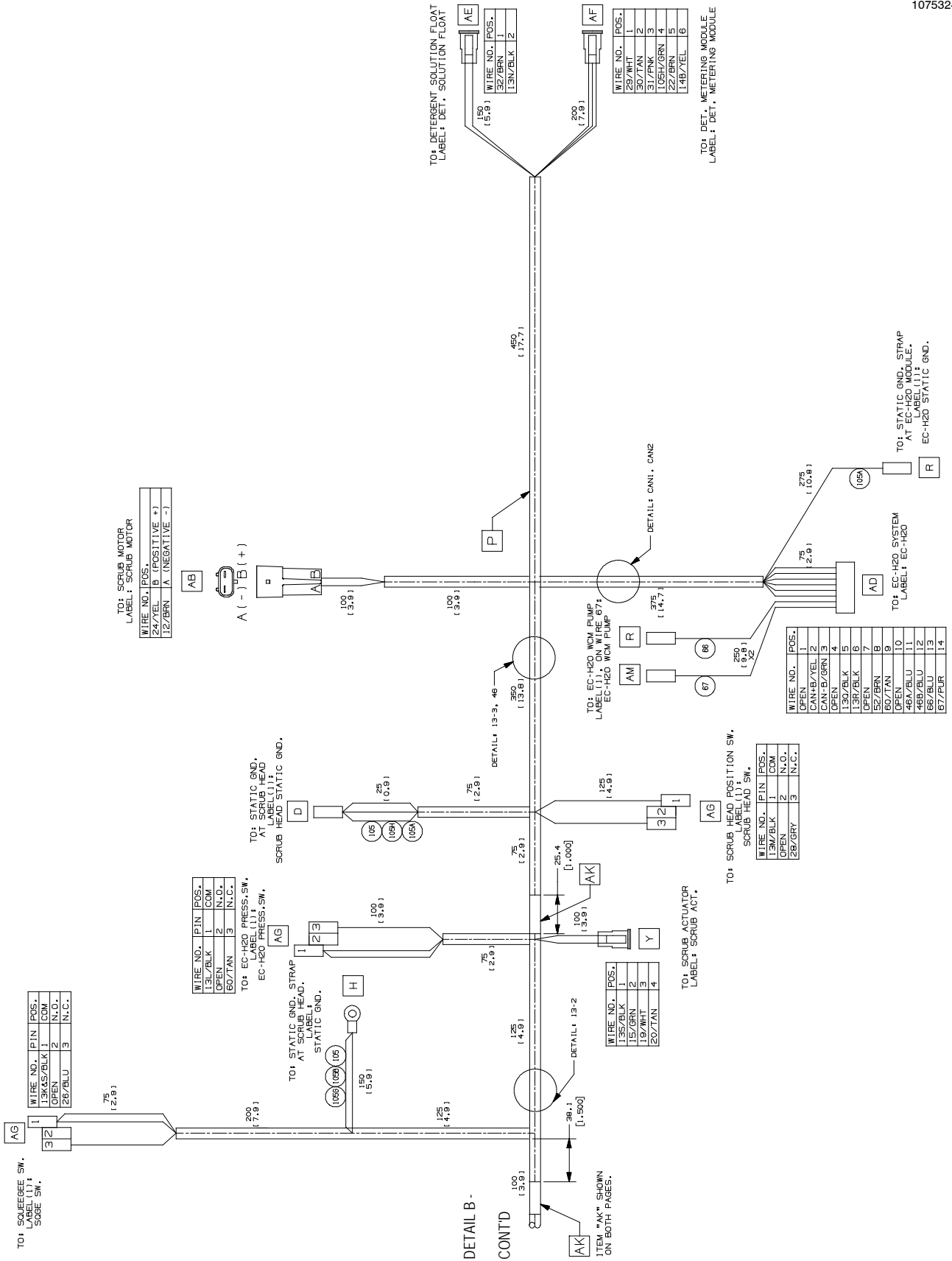
ELECTRICAL HARNESS, MAIN PUSH T300 (S/N 30066322 -) (PAGE 2 OF 3)

1075324_02



ELECTRICAL HARNESS, MAIN PUSH T300 (S/N 30066322 -) (PAGE 3 OF 3)

1075324_02



ELECTRICAL HARNESS, MAIN PUSH T300 (S/N 30066322 -)

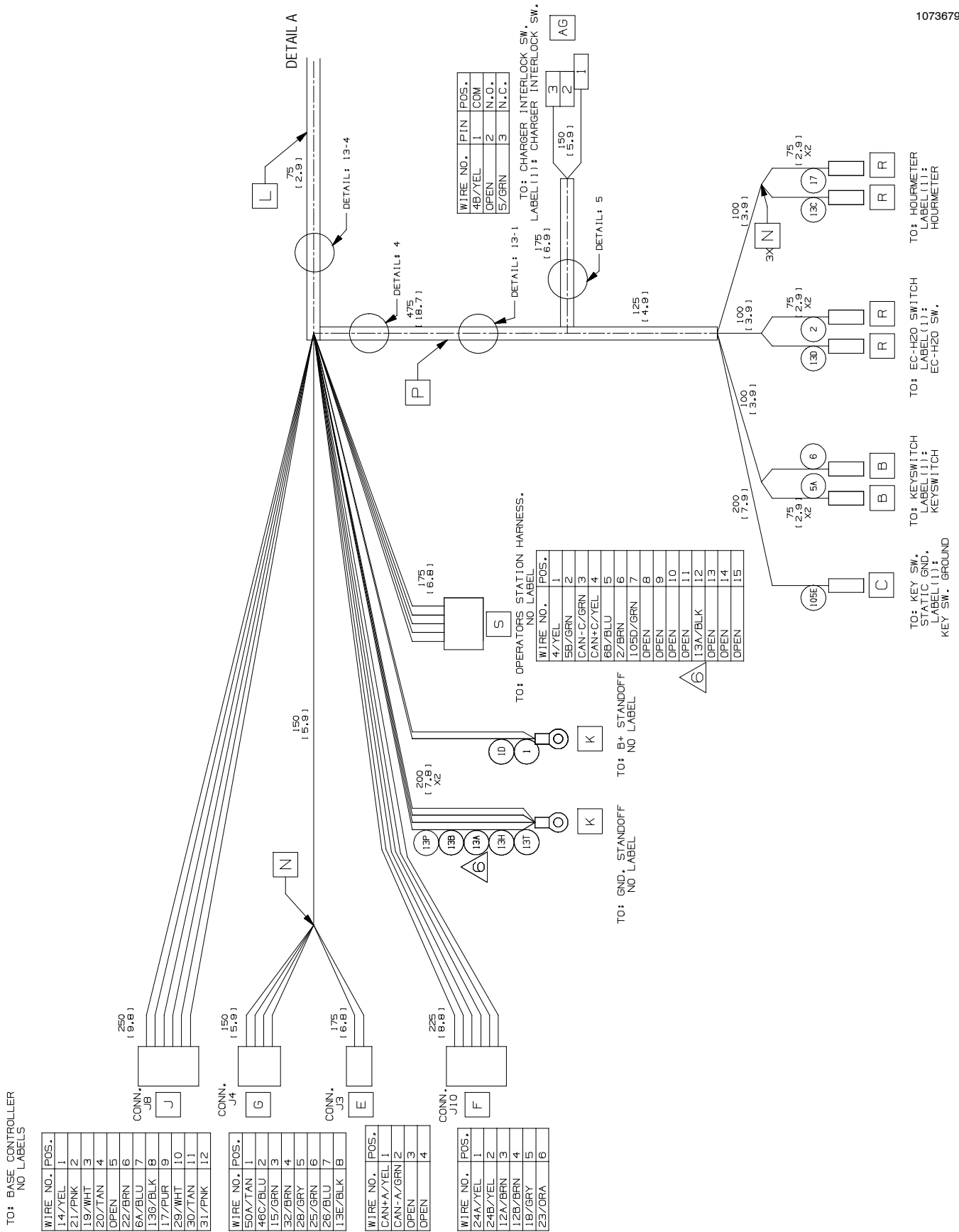
	Part No.	Serial Number	Description	Qty.
▽	1075324	(30066322- 40000000)	Harness, Main, Ele [Vw, Premium, Push]	1
▲	222290	(30000000- 40000000)	Diode, Ele, Plug	3

▽ ASSEMBLY

▲ INCLUDED IN ASSEMBLY

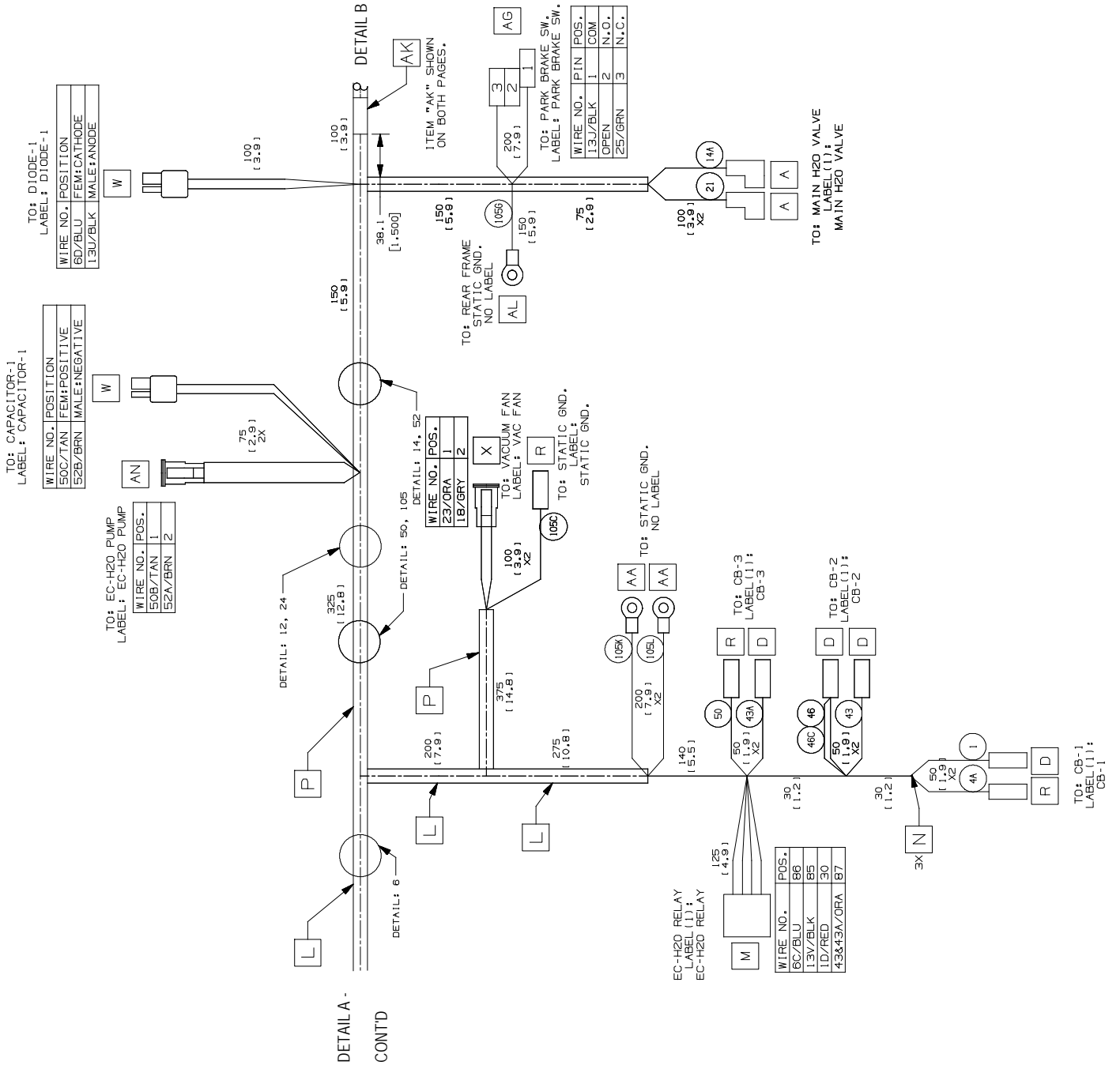
ELECTRICAL HARNESS, MAIN PUSH T300 (S/N 3000000 - 3006321) (PAGE 1 OF 3)

1073679



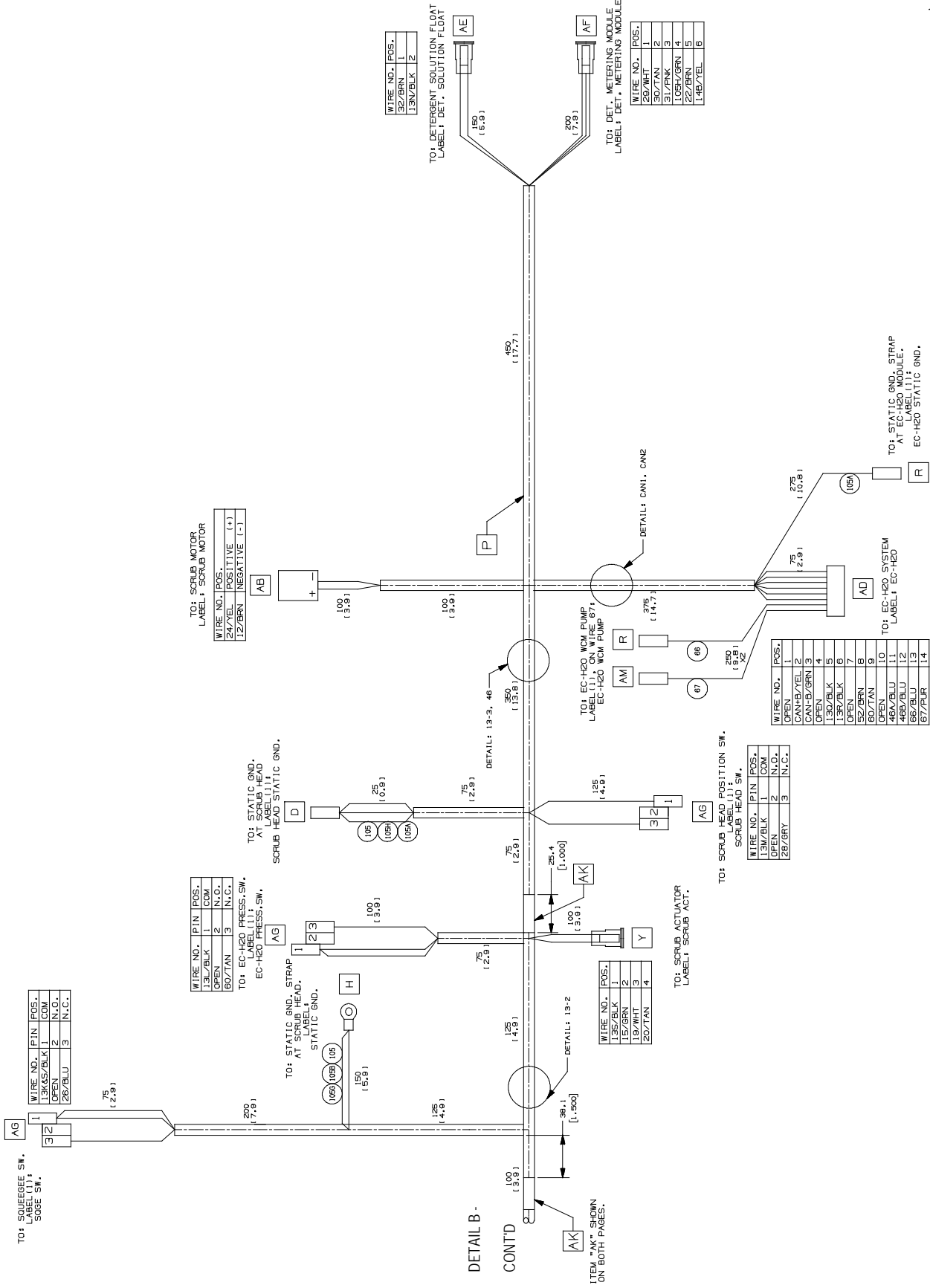
ELECTRICAL HARNESS, MAIN PUSH T300 (S/N 3000000 - 30066321) (PAGE 2 OF 3)

1073679



ELECTRICAL HARNESS, MAIN PUSH T300 (S/N 3000000 - 3006321) (PAGE 3 OF 3)

1073679



ELECTRICAL HARNESS, MAIN PUSH T300 (S/N 30000000 - 30066321)

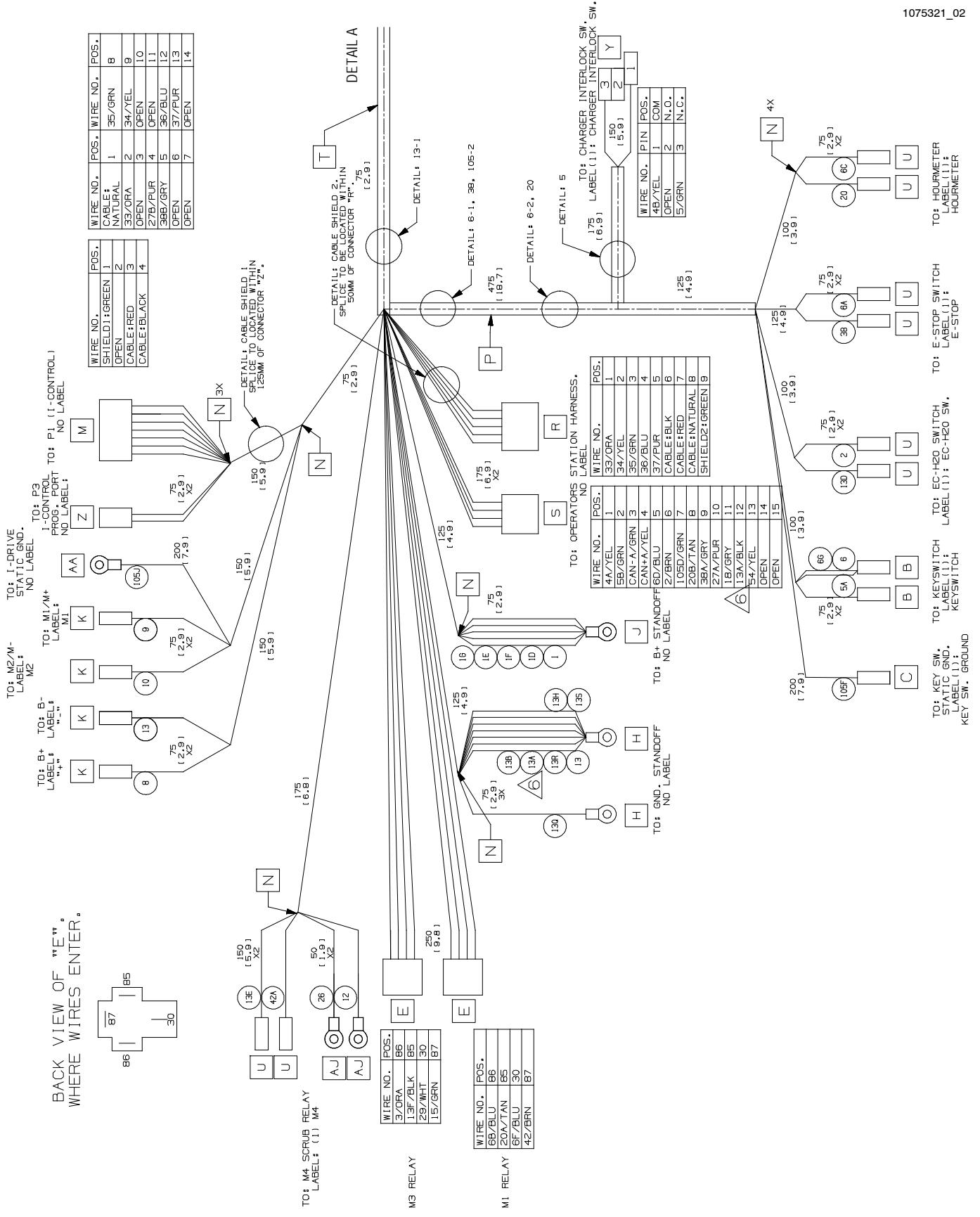
	Part No.	Serial Number	Description	Qty.
▽	1073679	(30000000- 30066321)	Harness, Main, Ele [Vw, Premium, Push] (Replaced By 9015158)	1
▲	222290	(30000000- 40000000)	Diode, Ele, Plug	3

▽ ASSEMBLY

▲ INCLUDED IN ASSEMBLY

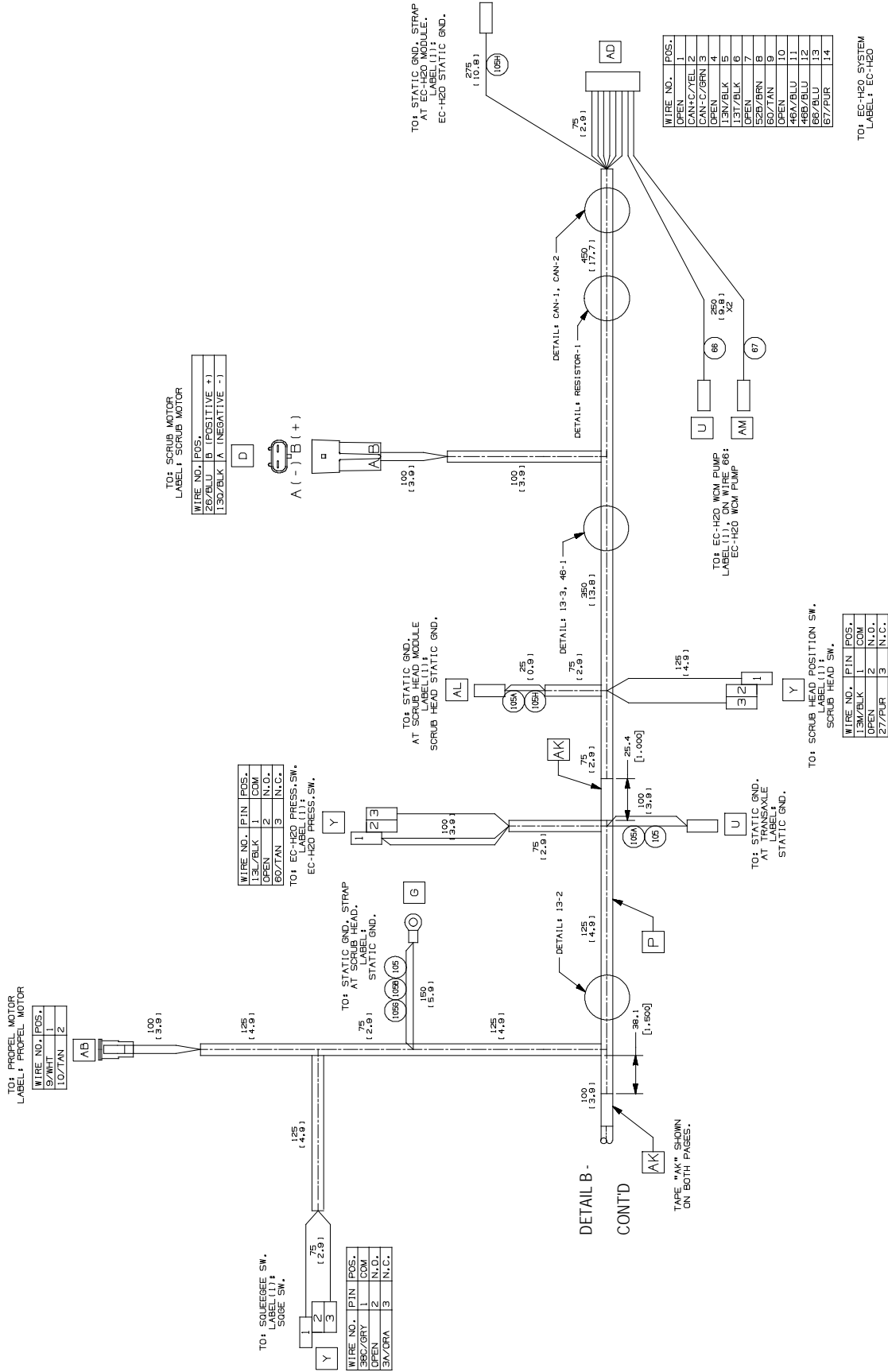
ELECTRICAL HARNESS, MAIN PROPEL T300e (S/N 30061052 -) (PAGE 1 OF 3)

1075321_02



ELECTRICAL HARNESS, MAIN PROPEL T300e (S/N 30061052 -) (PAGE 3 OF 3)

1075321_02



ELECTRICAL HARNESS, MAIN PROPEL T300e (S/N 30061052 -)

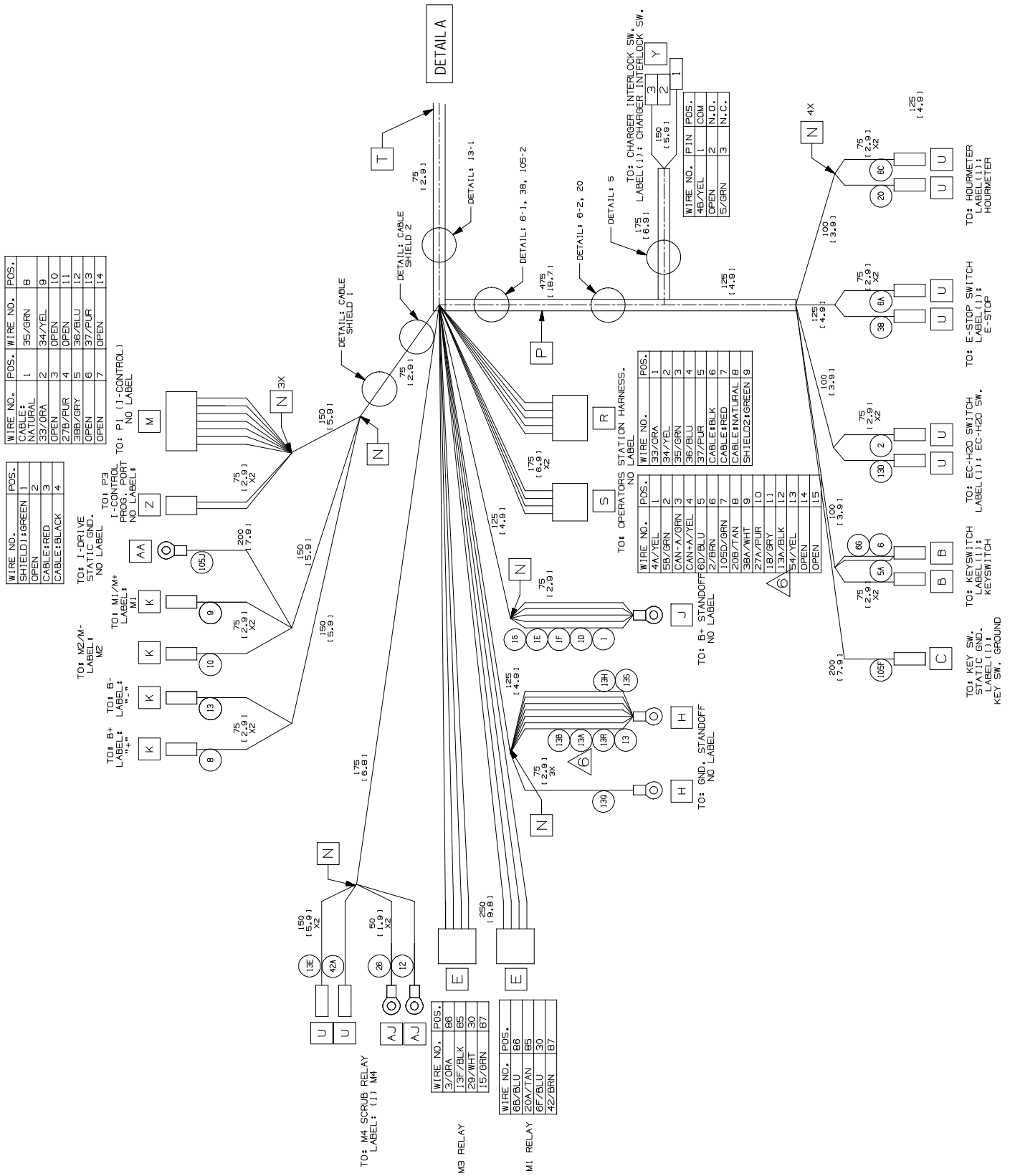
	Part No.	Serial Number	Description	Qty.
▽	1075321	(30061052- 40000000)	Harness, Main, Ele [Vw, Base, Propel]	1
▲	222290	(30000000- 40000000)	Diode, Ele, Plug	3

▽ ASSEMBLY

▲ INCLUDED IN ASSEMBLY

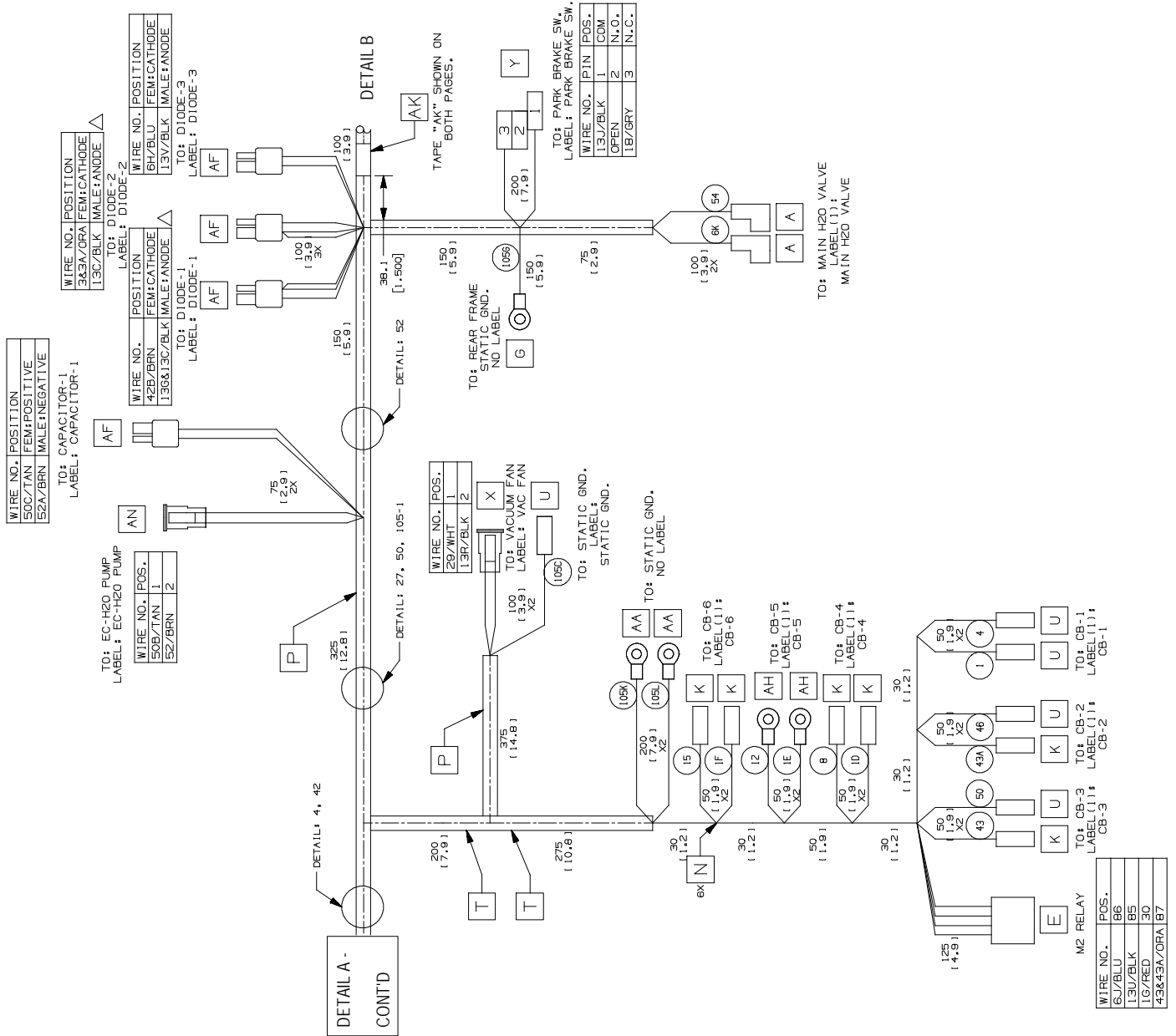
ELECTRICAL HARNESS, MAIN PROPEL T300e (S/N 3000000 - 30061051) (PAGE 1 OF 3)

1073676



ELECTRICAL HARNESS, MAIN PROPEL T300e (S/N 3000000 - 30061051) (PAGE 2 OF 3)

1073676



ELECTRICAL HARNESS, MAIN PROPEL T300e (S/N 30000000 - 30061051)

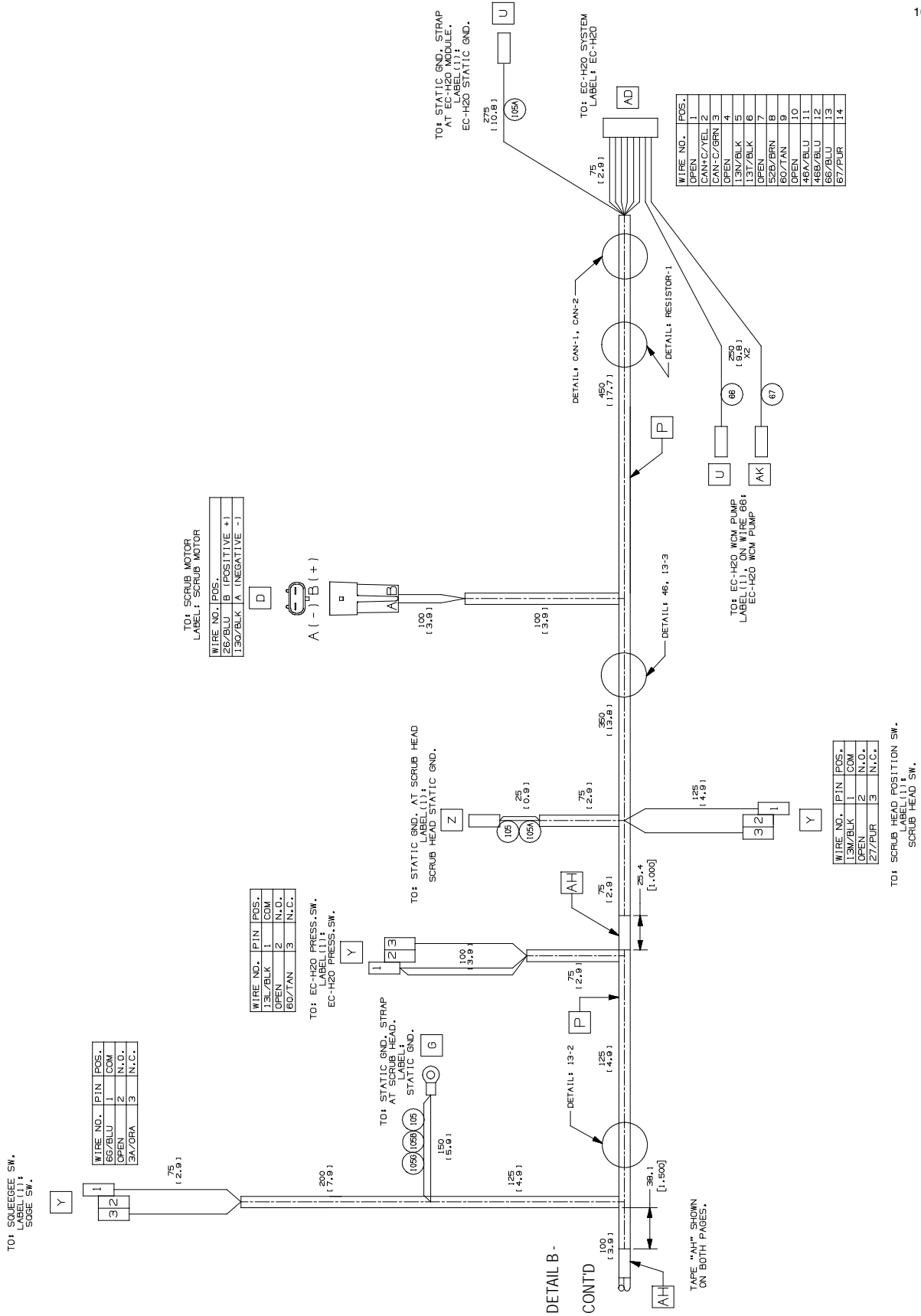
	Part No.	Serial Number	Description	Qty.
▽	1073676	(30000000-30061051)	Harness, Main, Ele [Vw, Base, Propel] (Replaced By 9015155)	1
▲	222290	(30000000-40000000)	Diode, Ele, Plug	3

▽ ASSEMBLY

▲ INCLUDED IN ASSEMBLY

ELECTRICAL HARNESS, MAIN PUSH T300e (S/N 30061119 -) (PAGE 3 OF 3)

1075322_02



ELECTRICAL HARNESS, MAIN PUSH T300e (S/N 30061119 -)

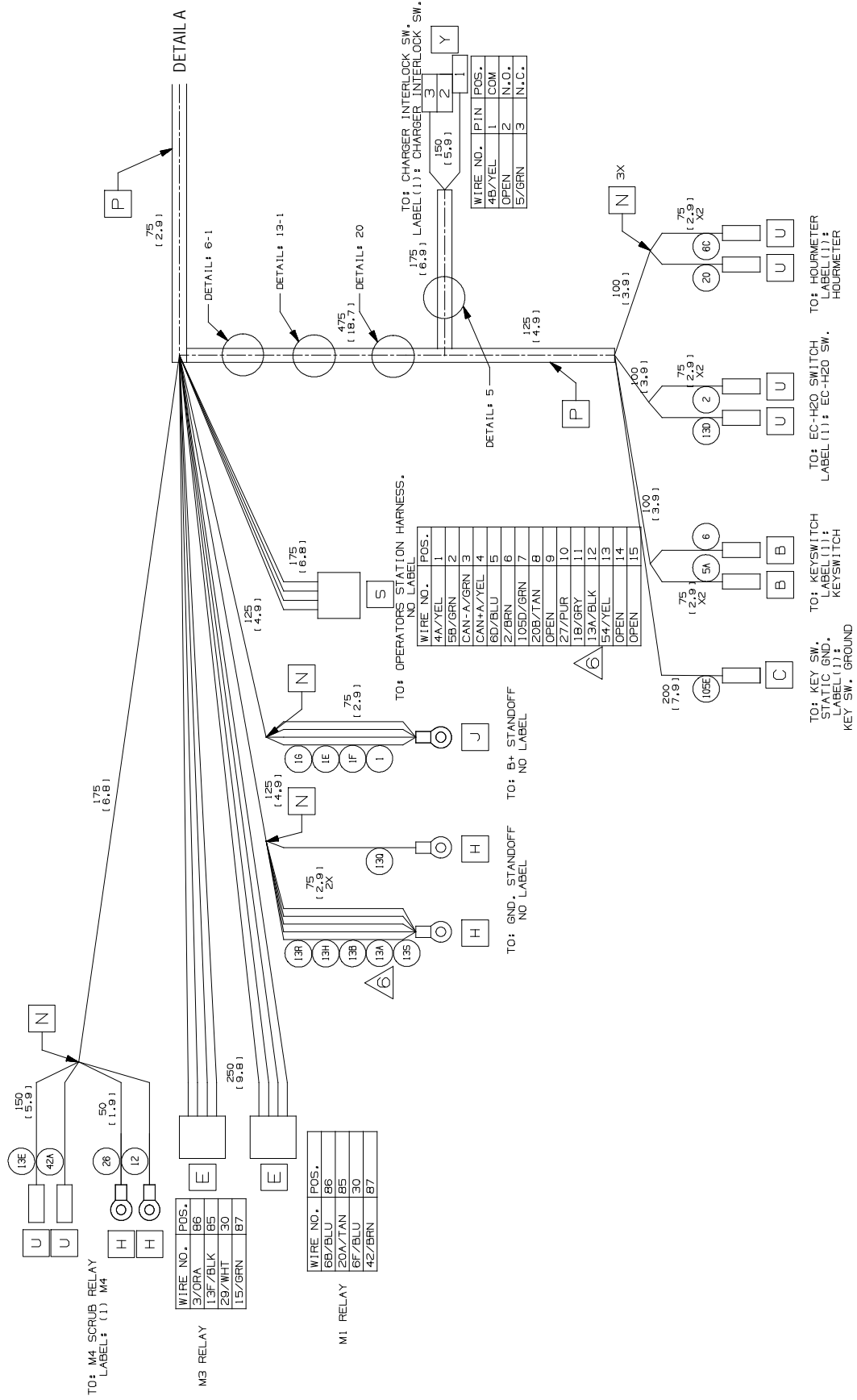
	Part No.	Serial Number	Description	Qty.
▽	1075322	(30061119- 40000000)	Harness, Main, Ele [Vw, Base, Push]	1
▲	222290	(30000000- 40000000)	Diode, Ele, Plug	3

▽ ASSEMBLY

▲ INCLUDED IN ASSEMBLY

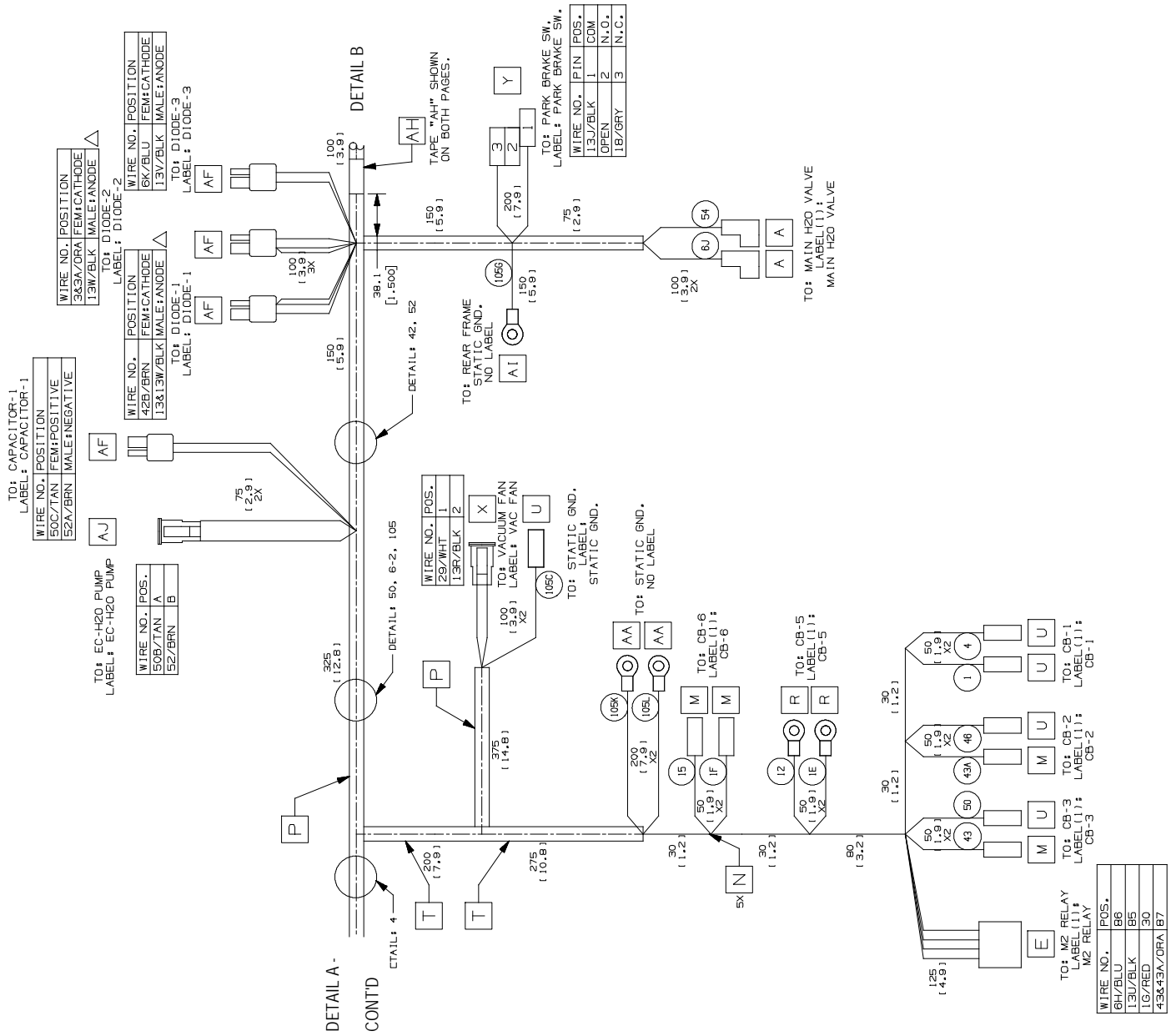
ELECTRICAL HARNESS, MAIN PUSH T300e (S/N 3000000 - 30061118) (PAGE 1 OF 3)

1073677



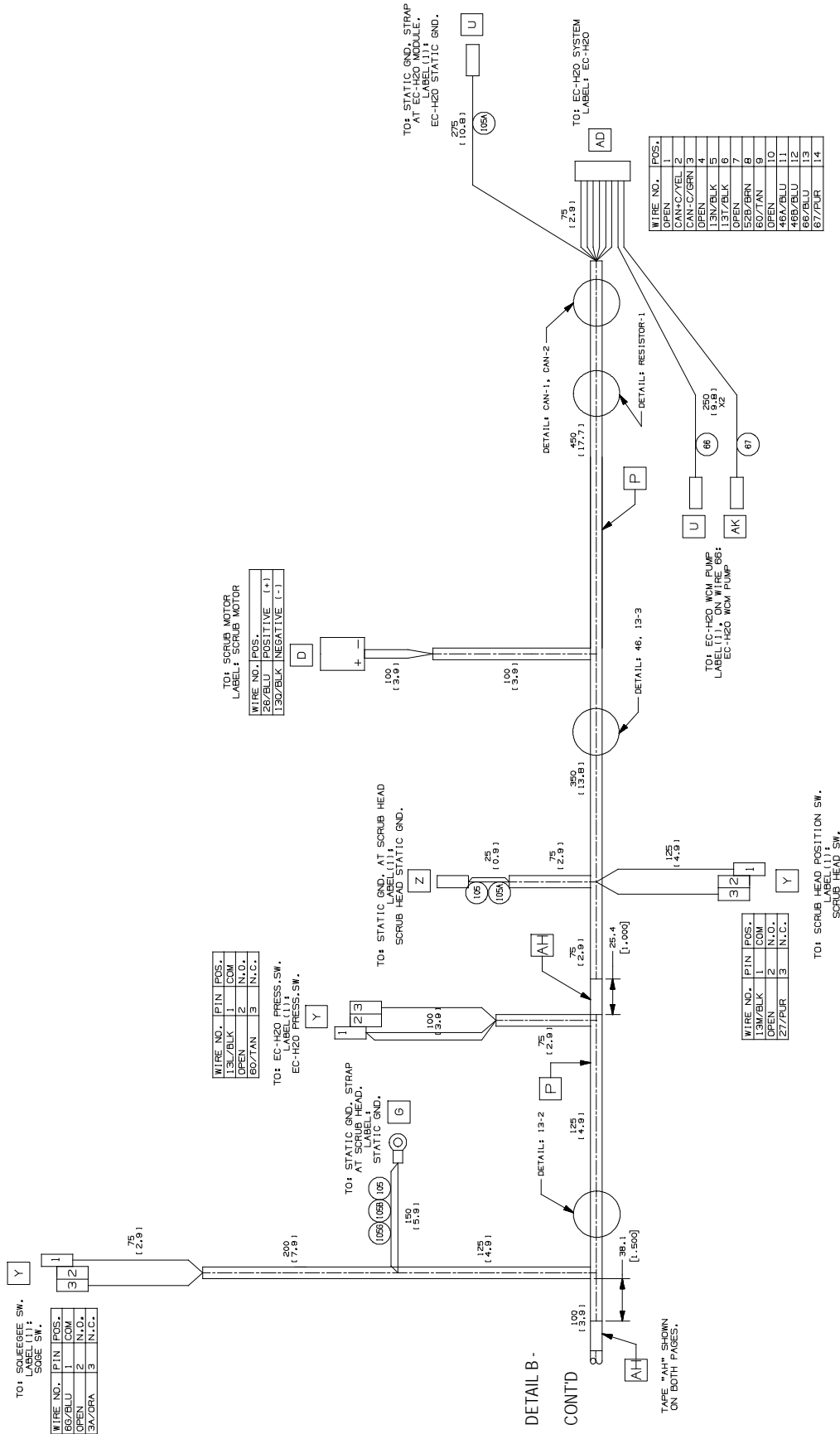
ELECTRICAL HARNESS, MAIN PUSH T300e (S/N 3000000 - 30061118) (PAGE 2 OF 3)

1073677



ELECTRICAL HARNESS, MAIN PUSH T300e (S/N 3000000 - 30061118) (PAGE 3 OF 3)

1073677



ELECTRICAL HARNESS, MAIN PUSH T300e (S/N 30000000 - 30061118)

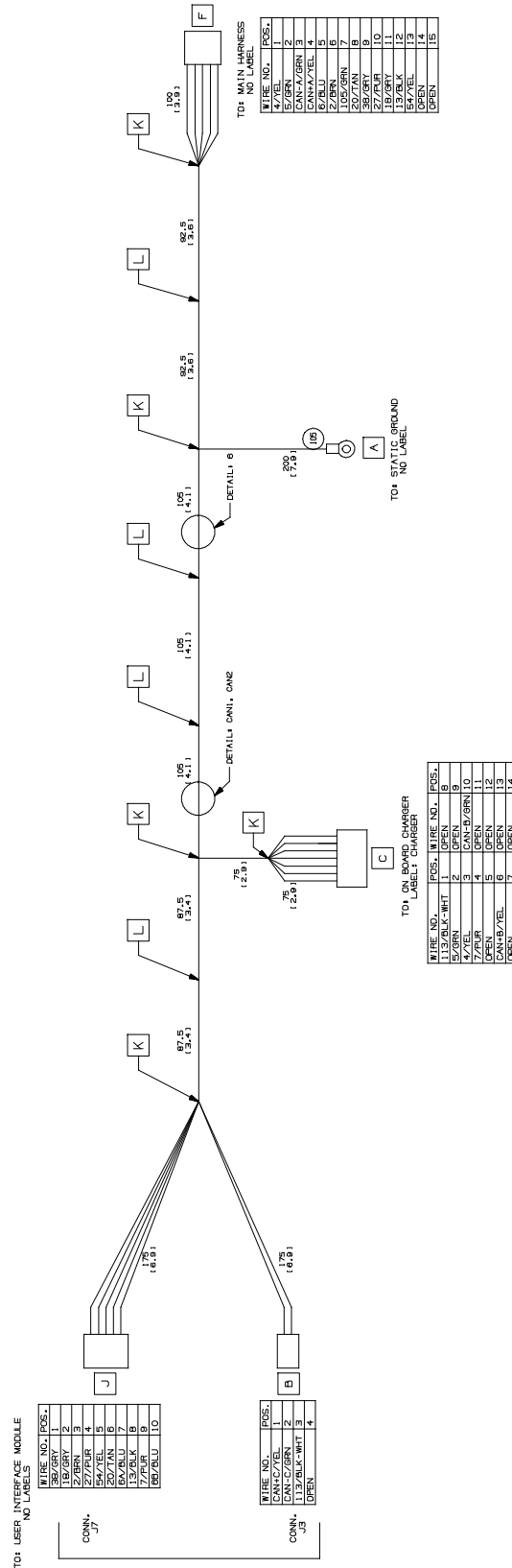
	Part No.	Serial Number	Description	Qty.
▽	1073677	(30000000- 30061118)	Harness, Main, Ele [Vw, Base, Push] (Replaced By 9015156)	1
▲	222290	(30000000- 40000000)	Diode, Ele, Plug	3

▽ ASSEMBLY

▲ INCLUDED IN ASSEMBLY

ELECTRICAL HARNESS, OPTIONS PUSH

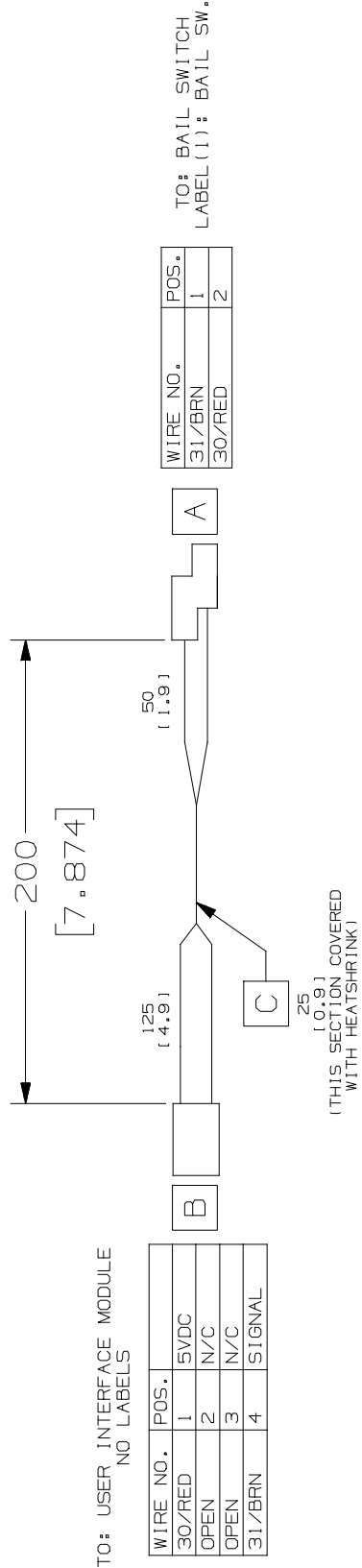
1073593



Part No.	Serial Number	Description	Qty.
1073593	(3000000- 4000000)	Harness, Ele [Vw, Op.Stat, Push]	1

ELECTRICAL HARNESS, BAIL SWITCH

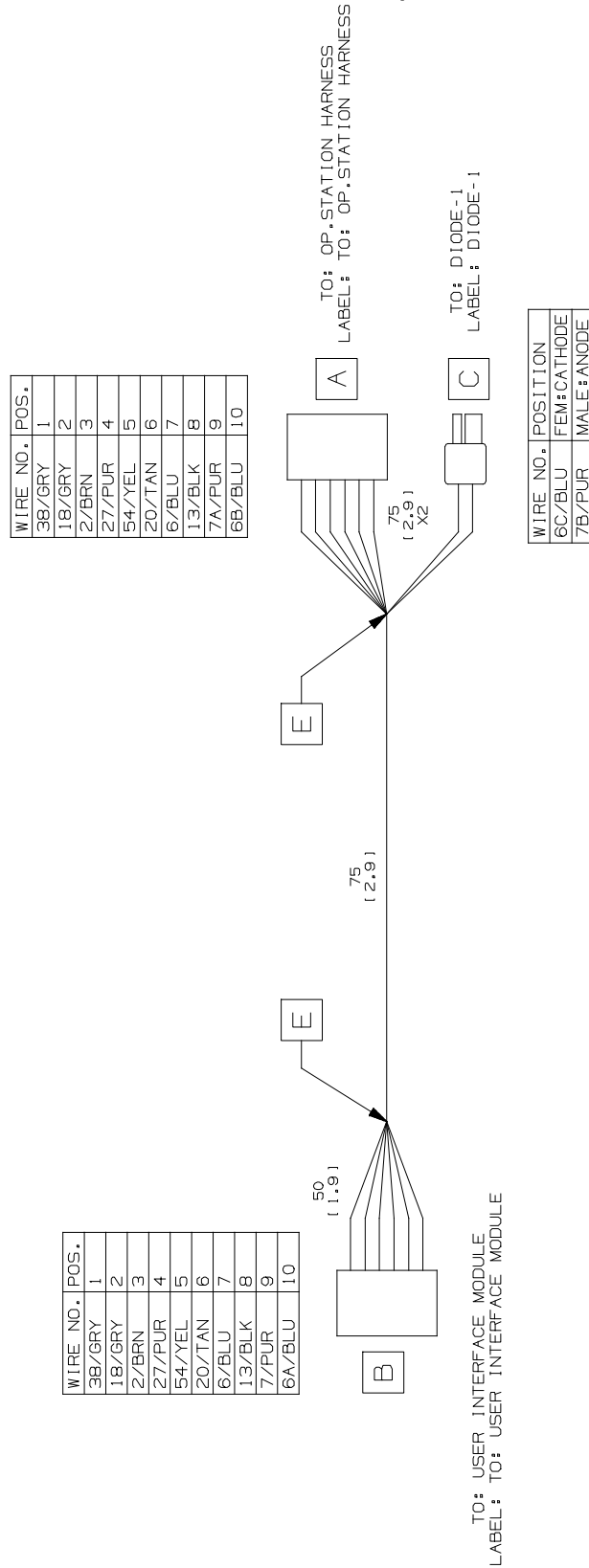
1072524



Part No.	Serial Number	Description	Qty.
1072524	(30000000- 40000000)	Harness, Ele [Bail Switch]	1

ELECTRICAL HARNESS, ADAPTER (TELEMETRY MODELS)

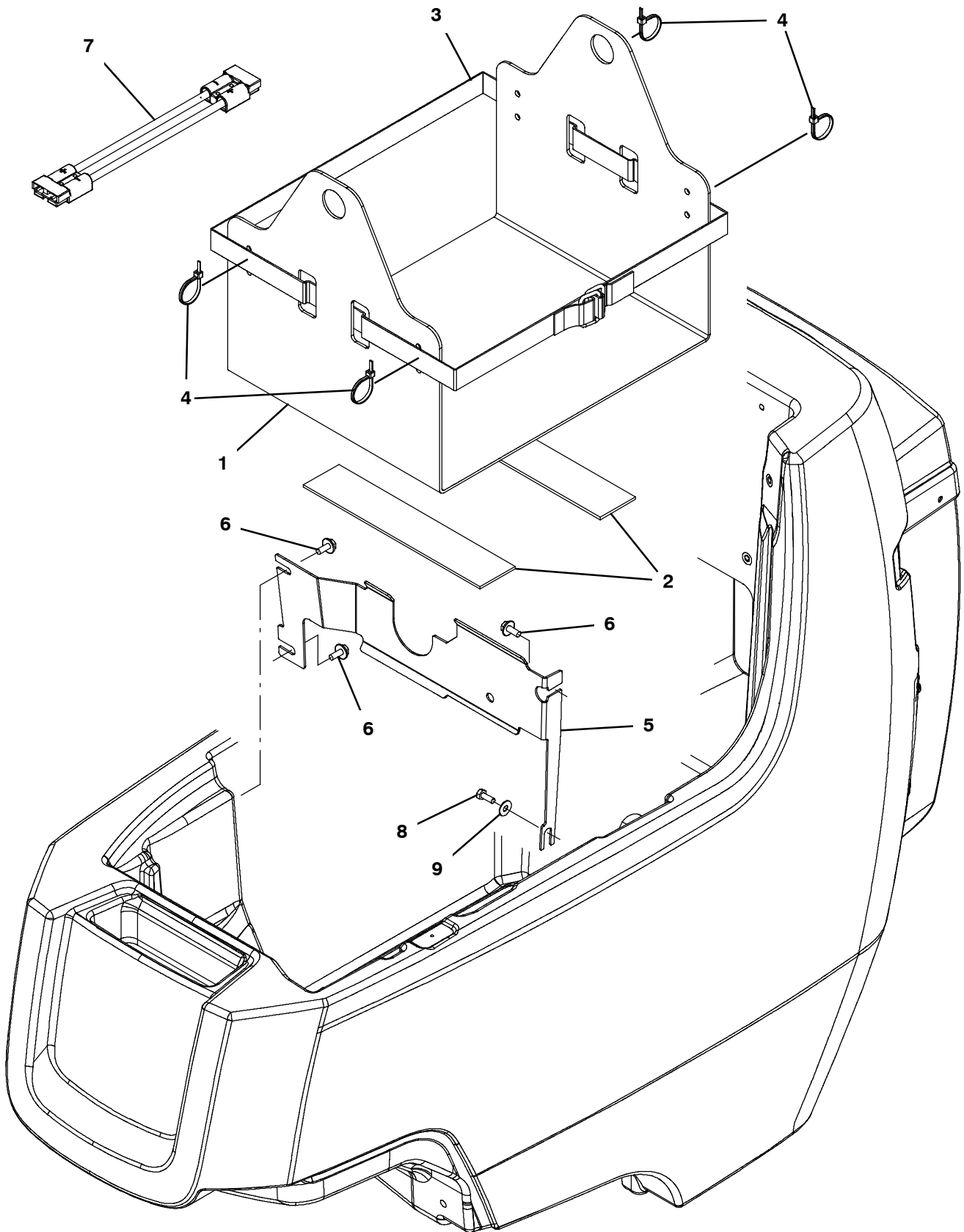
1075195



Part No.	Serial Number	Description	Qty.
1075195	(30000000- 40000000)	Harness, Ele, Adaptor [T300, Amii]	1
222290	(30000000- 40000000)	Diode, Ele, Plug	1

BATTERY LIFT OUT BOX KIT

355306



BATTERY LIFT OUT BOX KIT

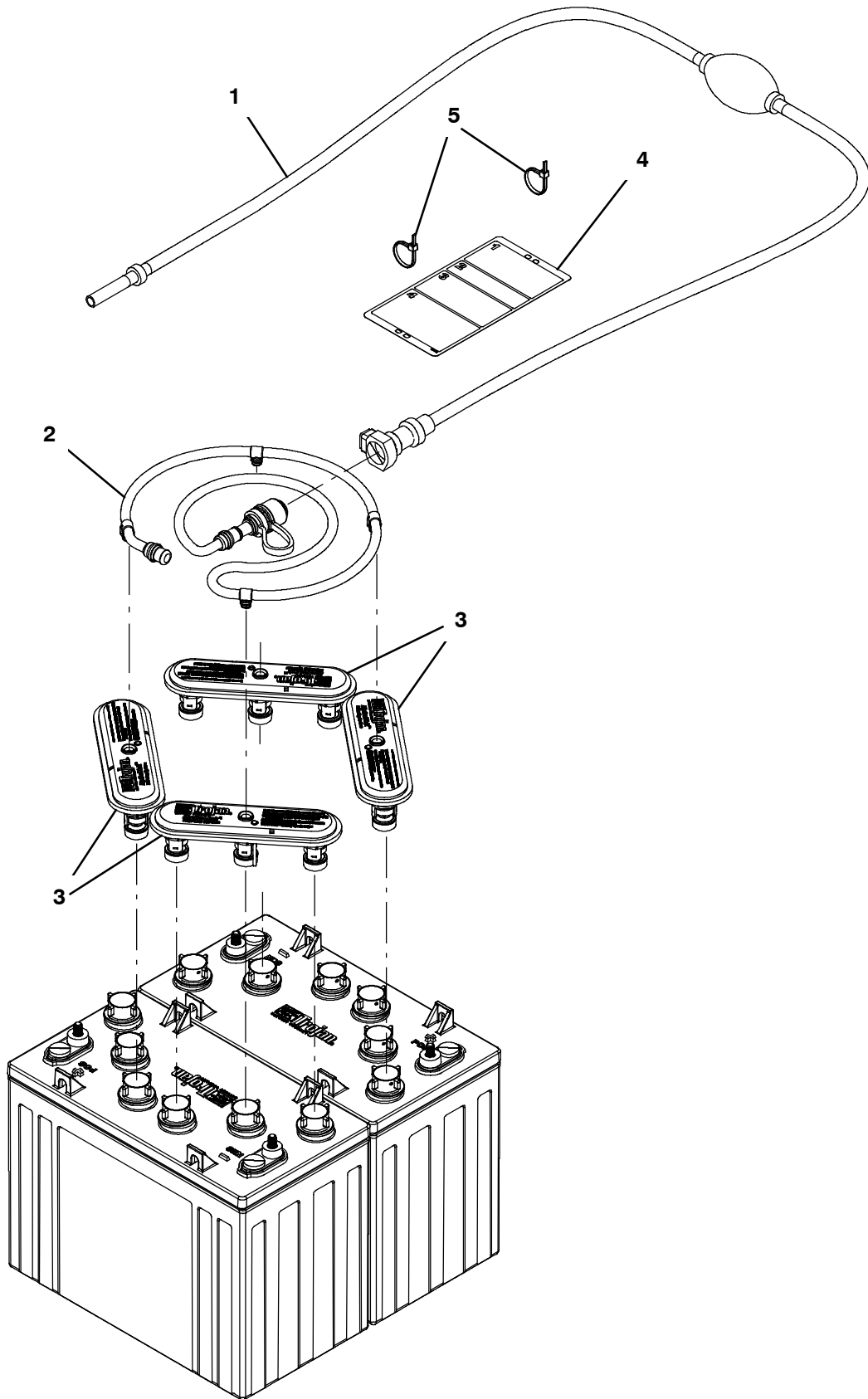
Ref.	Part No.	Serial Number	Description	Qty.
▽	9014173	(30000000- 40000000)	Box Kit, Lift, Batt, Am [T300/E/Ss300] (Additional Battery Cable Kit May Also Be Required)	1
▲	1 1207816	(30000000- 40000000)	Box, Battery [Lift- Out]	1
▲	2 1212689	(30000000- 40000000)	Pad, Box, Battery	2
▲	3 1208697	(30000000- 40000000)	Strap, Pyp, Buckle, Friction	1
▲	4 130773	(30000000- 40000000)	Tie, Cable, Nyl, 11.0l, .14w, 3.0 Max. D	4
▲	5 1214509	(30000000- 40000000)	Bracket, Deflector, Battery	1
▲	6 1034731	(30000000- 40000000)	Screw, Hex, M6 X 1.00 X 16, Sems, Ss	3
▲	7 1074798	(30000000- 40000000)	Cable, Adaptor, Batt [Sb120- Sb50, Red] (Off- Board Charger Models Only)	1
▲	8 11329	(30000000- 40000000)	Screw, Hex, M6 X 1.00 X 16, NI, Ss	1
▲	9 01684	(30000000- 40000000)	Washer, Flat, 0.27b 0.69d .05, Ss	1

▽ ASSEMBLY

▲ INCLUDED IN ASSEMBLY

HYDROLINK® BATTERY WATERING SYSTEM KIT

355316



HYDROLINK® BATTERY WATERING SYSTEM KIT

Ref.	Part No.	Serial Number	Description	Qty.
▽	9010300	(30000000- 40000000)	Battery Fill Kit, 24v, Ci [Hydrolink] (For Use Only With 155AH Trojan Batteries)	1
▲	1 1058939	(30000000- 40000000)	Pump Kit, Fill, Battery	1
▲	2 1070394	(30000000- 40000000)	Tube, Water, Battery, 24vdc [Trojan]	1
▲	3 1204142	(30000000- 40000000)	Cap, Fill, Battery [Trojan]	4
▲	4 1071084	(30000000- 40000000)	Label, Tag, Battery [Hydrolink Watering]	1
▲	5 130773	(30000000- 40000000)	Tie, Cable, Nyl, 11.0l, .14w, 3.0 Max. D	2

▽ ASSEMBLY

▲ INCLUDED IN ASSEMBLY

HYDROLINK® IS A REGISTERED TRADEMARK OF TROJAN BATTERY COMPANY.

OPTIONS

DOCUMENTATION GROUP

Ref.	Part No.	Serial Number	Description	Qty.
	9014518	(30000000- 40000000)	Manual, Oprtr [T300/T300e, En]	1
	9014519	(30000000- 40000000)	Manual, Oprtr [T300/T300e, Cn] (China)	1
	9014520	(30000000- 40000000)	Manual, Oprtr [T300/T300e, Kr] (Korea)	1
	9014521	(30000000- 40000000)	Manual, Oprtr [T300/T300e, Jp] (Japan)	1
	9014522	(30000000- 40000000)	Instr, Wall Chart [T300/T300e]	1
	9014510	(30000000- 40000000)	Manual, Service [T300/T300e, En]	1

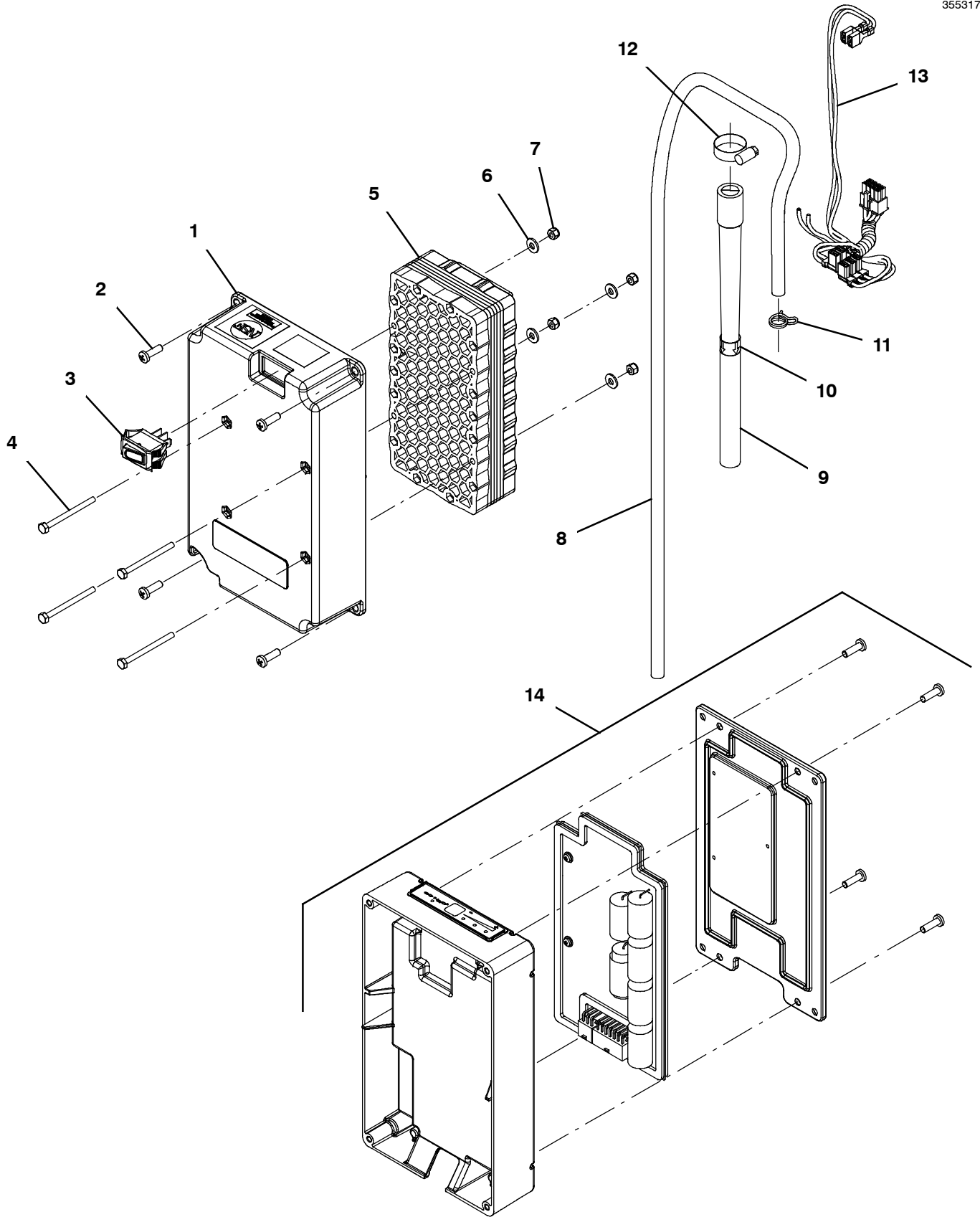


To view, print, order, download the latest Parts manual, other language Operator manuals, and Use and Care Guides (wall charts), visit:

www.tennantco.com/manual

ec- H2O NANOCLEAN MODULE BREAKDOWN

355317



ec- H2O NANOCLEAN MODULE BREAKDOWN

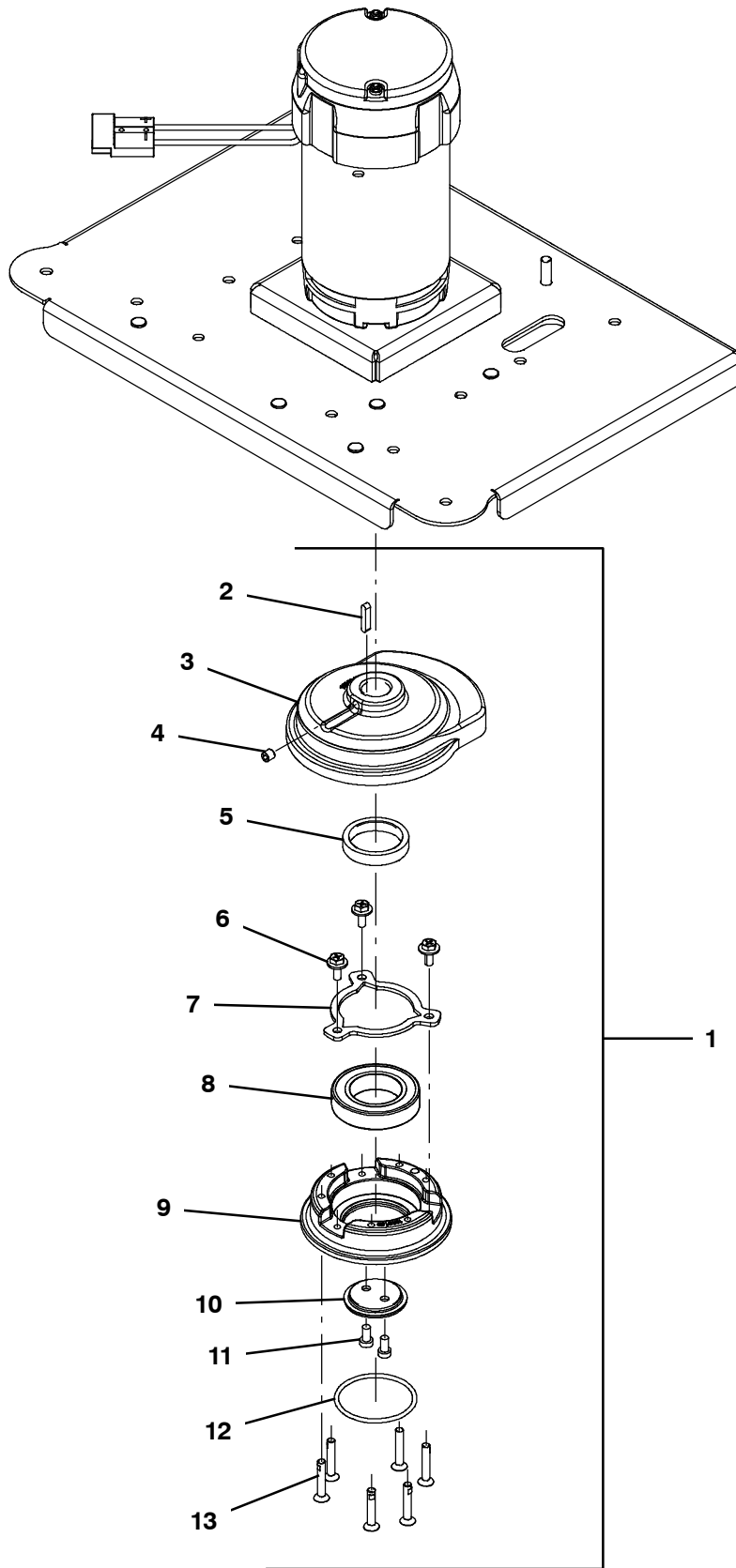
Ref.	Part No.	Serial Number	Description	Qty.
▽	9011810	(30000000- 40000000)	Module Kit, Replmt [Ec- H2o, B 02] (Includes ec- H2O NanoClean Cartridge)	1
▲▽	9014126	(30000000- 40000000)	Ec- H2o Nc Kit [Module B, Plumbing]	1
▲▲	1 1208823	(30000000- 40000000)	Housing, Module, Upper, Ec- H2o	1
▲▲	2 1015506	(30000000- 40000000)	Screw, Pan, Phl, M5 X 16, Tcut [Plastic]	4
▲▲	3 1044393	(30000000- 40000000)	Switch, Rocker, Spst, Mom	1
▲▲	4 32509	(30000000- 40000000)	Screw, Hex, M4 X 0.70 X 50, Ss	4
▲▲	5 1208164	(30000000- 40000000)	Electrode, 5 Plate, High Flow	1
▲▲	6 41579	(30000000- 40000000)	Washer, Flat, 08, Ss	4
▲▲	7 33932	(30000000- 40000000)	Nut, Hex, Lock, M4 X 0.70, NI, Ss	4
▲▲	8 1006415	(30000000- 40000000)	Hose, Afmkt, Pvc, Clr, 0.25id, 03ft	1
▲▲	9 1208526	(30000000- 40000000)	Hose, Molded, Bm08/Bm06	1
▲▲	10 1049637	(30000000- 40000000)	Label, Direction [Ec- H2o]	1
▲▲	11 613735	(30000000- 40000000)	Clamp, Hose, Wir, .40 - .42, Yel	1
▲▲	12 54333	(30000000- 40000000)	Clamp, Hose, Wormdrive, 0.31- 0.88d, .31w	1
▲▲	13 1073286	(30000000- 40000000)	Harness, Ele, Module B2 [Ec- H2o]	1
▲	14 9014127	(30000000- 40000000)	Controller Kit, Replmt [Ec- H2o Nc] (Includes ec- H2O NanoClean Cartridge)	1

▽ ASSEMBLY

▲ INCLUDED IN ASSEMBLY

ORBITAL HEAD ECCENTRIC DRIVE BREAKDOWN

355337



ORBITAL HEAD ECCENTRIC DRIVE BREAKDOWN

Ref.	Part No.	Serial Number	Description	Qty.
▽	1	9014175	(30000000- 40000000) Kit, Eccentric Assy, [T300]	1
▲	2	1014328	(30000000- 40000000) Key, Sq, 05mm X 05mm, 25mm	1
▲	3	N/A	(30000000- 40000000) Balance, Eccentric, Step [Machined]	1
▲	4	N/A	(30000000- 40000000) Screw, Set, M8 X 1.25 X 8, SS	1
▲	5	N/A	(30000000- 40000000) Spacer, Eccentric	1
▲	6	N/A	(30000000- 40000000) Screw, Hex, M6 X 1.00 X 16, Sems	3
▲	7	N/A	(30000000- 40000000) Plate, Retainer, Brg, Outer	1
▲	8	1206608	(30000000- 40000000) Bearing, Ball, 1.58b 2.68d 0.59w [2seal]	1
▲	9	N/A	(30000000- 40000000) Housing, Bearing, Outer [Machined]	1
▲	10	N/A	(30000000- 40000000) Retainer, Bearing, Inner [Qpq]	1
▲	11	N/A	(30000000- 40000000) Screw, Soc, M6 X 1.00 X 12, 8.8, Low	2
▲	12	1208266	(30000000- 40000000) O- Ring, 57.15 X 3.18, Nbr	1
▲	13	1212710	(30000000- 40000000) Screw, Flt, Soc, M6 X 1.00 X 35, 10.9,NI	6

▽ ASSEMBLY

▲ INCLUDED IN ASSEMBLY