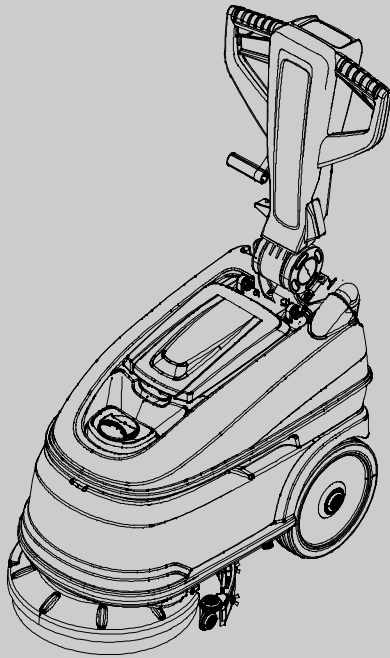




# CS16

Battery Floor Scrubber

## Parts Manual



Model Part No.:

- LPTB03328 - SCRUBBER [CS16 AGM ONB, NA]
- LPTB03302 - SCRUBBER [CS16 GEL ONB, ANZ]
- LPTB03780 - SCRUBBER [CS16 AGM ONB, INJ MOLDED NA]
- LPTB03781 - SCRUBBER [CS16 GEL ONB, INJ MOLDED ANZ]
- LPTB03794 - SCRUBBER [CS16 LITHIUM ONB, INJ MOLDED NA]

TennantTrue® Parts



**NA/ANZ**



To view, print or download  
Tennant manuals, visit:

[www.tennantco.com/manuals](http://www.tennantco.com/manuals)

9022035  
Rev. 02 (03-2025)

Only use TENNANT Company supplied or equivalent parts. Parts and supplies may be ordered online, by phone or from any Tennant Authorized Service Center or Distributor.

Before Ordering any parts or supplies, be sure to have the machine model number and serial number available.

### Serial Number Location



### Tennant Company

10400 Clean Street  
Eden Prairie, MN 55344-2650  
USA  
NA Phone: (800) 553-8033  
ANZ Phone: 1800 226 843  
www.tennantco.com  
www.tennantco.com.au

Specifications and parts are subject to change without notice.

Copyright © 2025 TENNANT Company

**TABLE OF CONTENTS**

---

|  |    |
|--|----|
| WEAR PARTS .....   | 4  |
| SERVICE PARTS .....  | 5  |
| BRUSHES / PAD DRIVER AND PADS .....  | 7  |
| TANK AND CHARGER GROUP, AGM AND GEL<br>BATTERY (Injection Molded Models LPTB03780 /<br>LPTB03781) .....  | 8  |
| TANK AND CHARGER GROUP, LITHIUM BATTERY<br>(Injection Molded Model LPTB03794) .....                      | 10 |
| TANK AND CHARGER GROUP, AGM AND GEL<br>BATTERY (Rotational Molded Models LPTB03328 /<br>LPTB03302) ..... | 12 |
| HANDLE AND FRAME GROUP .....   | 14 |
| SQUEEGEE ASSEMBLY AND BRUSH DRIVE<br>GROUP .....   | 16 |
| ELECTRICAL DIAGRAM .....   | 18 |

# RECOMMENDED SPARE PARTS LIST

---

## WEAR PARTS

| Ref. | Part No.  | Mfr. Date | Description  | Qty. |
|------|-----------|-----------|--|------|
|      | SPPV02656 | ( )       | Brush Assy, Disk, Scb, 35cm, 3- Lug, Pyp (Standard)              | 1    |
|      | SPPV02657 | ( )       | Brush Assy, Disk, Scb, 35 Cm, Pyp, Soft (Option)                 | 1    |
|      | SPPV02659 | ( )       | Brush Assy, Disk, Abr, 35cm, 240grit (Option)                    | 1    |
|      | SPPV02664 | ( )       | Driver Assy, Pad, 35cm   | 1    |
|      | 1243656   | ( )       | Pad, Buff, 14.0d Red [1pick=1ctn] (NA Market)                    | 1    |
|      | 1243344   | ( )       | Pad, Scb, 14.0d, Blu [1pick=1ctn= 5pcs] (Option)<br>(NA Market)  | 1    |
|      | 1243657   | ( )       | Pad, Stripping, 14.0d Brown [1pick=1ctn] (Option)<br>(NA Market) | 1    |
|      | 1243343   | ( )       | Pad, Polish, 14.0d, White [1pick=1ctn] (Option)<br>(NA Market)   | 1    |
|      | 1240389   | ( )       | Pad, Polish, 14.0d, Yel [1pick=1ctn] (Option)<br>(NA Market)     | 1    |
|      | MPVR06535 | ( )       | Blade, Sqge, Front, 536l, Linatex [Cs16]                         | 1    |
|      | 9017826   | ( )       | Blade, Sqge, Front, 536l, Latex                                  | 1    |
|      | 9017832   | ( )       | Blade Kit, Sqge, 536l/596l,Pyu                                   | 1    |
|      | 9017830   | ( )       | Blade, Sqge, Rear, 596l, Linatex                                 | 1    |
|      | 9017827   | ( )       | Blade, Sqge, Rear, 596l, Latex                                   | 1    |
|      | 9017832   | ( )       | Blade Kit, Sqge, 536l/596l,Pyu                                   | 1    |

# RECOMMENDED SPARE PARTS LIST

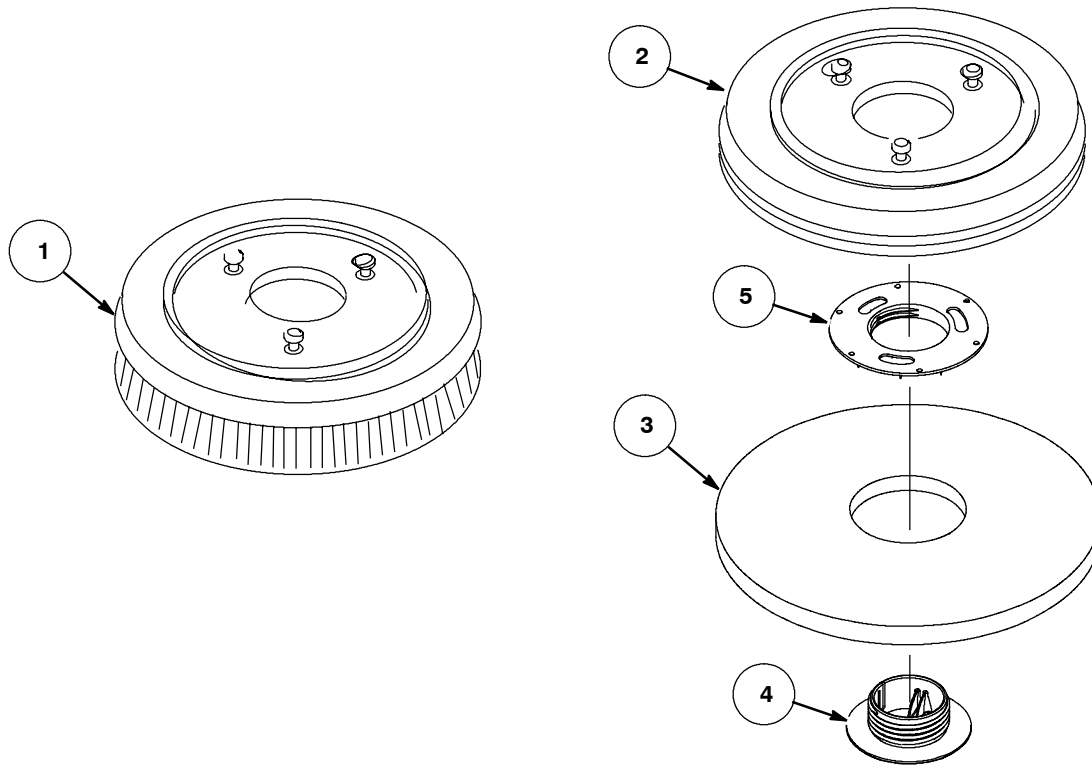
## SERVICE PARTS

| Ref. | Part No.  | Mfr. Date | Description   | Qty. |
|------|-----------|-----------|---|------|
|      | PMVR06994 | ( )       | Squeegee Assy, Linatex                                    | 1    |
|      | 9017852   | ( )       | Squeegee Assy, Latex                                      | 1    |
|      | KTRI05575 | ( )       | Cover Assy, Recvy, Tank                                   | 1    |
|      | 9017840   | ( )       | Seal, Cover, Recvy, Tank                                  | 1    |
|      | 9017842   | ( )       | Hose Assy, Recvy  | 1    |
|      | 9017845   | ( )       | Hose Assy, Drain  | 1    |
|      | 9017844   | ( )       | Float, Shutoff  | 1    |
|      | 9017847   | ( )       | Valve, Water, Solenoid, 24vdc                             | 1    |
|      | 9017846   | ( )       | Cable, Lift, Sqge   | 1    |
|      | 9017848   | ( )       | Wheel, Sqge   | 3    |
|      | 9017849   | ( )       | Spring, Sqge  | 2    |
|      | 9017850   | ( )       | Clip, Hose, Recvy   | 1    |
|      | 9017689   | ( )       | Switch, Handle  | 1    |
|      | 9018511   | ( )       | Filter, Water   | 1    |
|      | MECE00827 | ( )       | Circuitboard, Power, 60v                                  | 1    |
|      | 897642    | ( )       | Motor, Brush, 24v   | 1    |
|      | MEVR02923 | ( )       | Vr, Brush Kit, Motor, Brush [4 Pc]                        | 4    |
|      | MOCC00397 | ( )       | Motor Vacuum Ct15- 30- 45- 46                             | 1    |
|      | 9017687   | ( )       | Vr, Brush Kit, Motor, Vacfan                              | 2    |
|      | GUG000599 | ( )       | Gasket, Motor, Vacuum                                     | 1    |
|      | 897510    | ( )       | Fuse, 30a (AGM / GEL)                                     | 1    |
|      | MEVR02104 | ( )       | Fuse 30a Omega Ft3030 (Lithium - NA Market)               | 1    |
|      | 897648    | ( )       | Fuse, 25a   | 1    |
|      | MEVR00039 | ( )       | Fuse, 020a  | 1    |
|      | BAAC00178 | ( )       | Battery 12v 29ah/C5 Ct15 (AGM - NA Market)                | 2    |
|      | BAAC00212 | ( )       | Battery, 24vdc, 25ah [Li- Ion] (Lithium - NA Market)      | 2    |
|      | BAAC00123 | ( )       | Battery 12v 25ah (C5) (GEL - ANZ Market)                  | 2    |
|      | BACA00254 | ( )       | Charger, Battery, 24vdc, 5a (AGM - NA Market)             | 1    |
|      | BACA00296 | ( )       | Charger, 24vdc, 5a [Li- Ion, Onbrd] (Lithium - NA Market) | 1    |
|      | BACA00199 | ( )       | Battery- Charger 24v 5a (GEL - ANZ Market)                | 1    |
|      | 1069835   | ( )       | Cord, Power, Chrgr, 120vac [Us/Jp] (NA Market)            | 1    |
|      | MECB02065 | ( )       | Cord, Power Chrgr Anz (ANZ Market)                        | 1    |

## RECOMMENDED SPARE PARTS LIST

---

BRUSHES / PAD DRIVER AND PADS

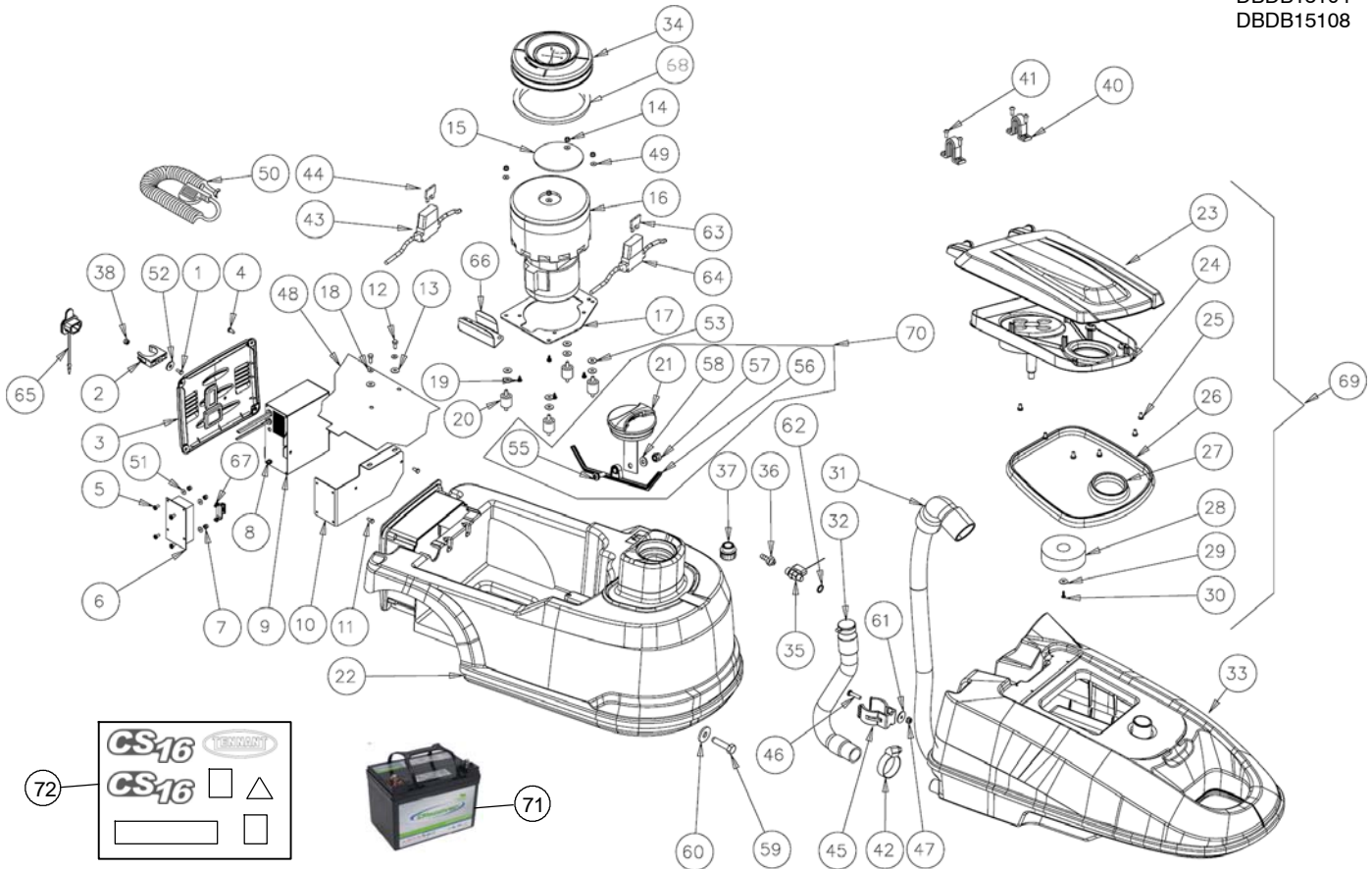


| Ref. | Part No.  | Mfr. Date | Description  | Qty. |
|------|-----------|-----------|--|------|
| 1    | SPPV02656 | ( )       | Brush Assy, Disk, Scb, 35cm, 3- Lug, Pyp (Standard)              | 1    |
| 1    | SPPV02657 | ( )       | Brush Assy, Disk, Scb, 35 Cm, Pyp, Soft (Option)                 | 1    |
| 1    | SPPV02659 | ( )       | Brush Assy, Disk, Abr, 35cm, 240grit (Option)                    | 1    |
| 2    | SPPV02664 | ( )       | Driver Assy, Pad, 35cm   | 1    |
| 3    | 1243656   | ( )       | Pad, Buff, 14.0d Red [1pick=1ctn] (Standard)<br>(NA Market)      | 1    |
| 3    | 1243344   | ( )       | Pad, Scb, 14.0d, Blu [1pick=1ctn= 5pcs] (Option)<br>(NA Market)  | 1    |
| 3    | 1243657   | ( )       | Pad, Stripping, 14.0d Brown [1pick=1ctn] (Option)<br>(NA Market) | 1    |
| 3    | 1243343   | ( )       | Pad, Polish, 14.0d, White [1pick=1ctn] (Option)<br>(NA Market)   | 1    |
| 3    | 1240389   | ( )       | Pad, Polish, 14.0d, Yel [1pick=1ctn] (Option)<br>(NA Market)     | 1    |
| 4    | MPVR04088 | ( )       | Lock, Cntr, Pad, Driver  | 1    |
| 5    | SPPV00489 | ( )       | Lock, Cntr, Pad, Driver  | 1    |

# STANDARD PARTS

## TANK AND CHARGER GROUP, AGM AND GEL BATTERY (Injection Molded Models LPTB03780 / LPTB03781)

DBDB15104  
DBDB15108



| Ref. | Part No.  | Mfr. Date | Description                                   | Qty. |
|------|-----------|-----------|---|------|
| 1    | 897359    | ( )       | Screw, M4x16, Ss, Uni7687                     | 1    |
| 2    | 897245    | ( )       | Clip, Hose                                    | 1    |
| 3    | 897558    | ( )       | Cover, Chrgr, Battery                         | 1    |
| 4    | VTVT01072 | ( )       | Screw, Pan, Torx, 5x16, Fmg, Kn1038           | 4    |
| 5    | 897564    | ( )       | Screw, Hex, M4x10, Uni5739                    | 4    |
| 6    | MECE00827 | ( )       | Circuitboard, Power, 60v                      | 1    |
| 7    | VTDD04368 | ( )       | Nut, Hex, M4, Uni5588                         | 4    |
| 8    | VTDD04369 | ( )       | Nut, Hex, M4, Uni7473                         | 2    |
| 9    | BACA00254 | ( )       | Charger, Battery, 24vdc, 5a (AGM - NA Market) | 1    |
| 9    | BACA00199 | ( )       | Battery- Charger 24v 5a (GEL - ANZ Market)    | 1    |
| 10   | 897563    | ( )       | Plate, Chrgr                                  | 1    |
| 11   | 897564    | ( )       | Screw, Hex, M4x10, Uni5739                    | 2    |
| 12   | 897565    | ( )       | Screw, Hex, M5 X 10, Uni5739                  | 2    |
| 13   | 897384    | ( )       | Washer, 5b, 14d, Ss                           | 2    |
| 14   | 897497    | ( )       | Nut, M5, Ss                                   | 4    |
| 15   | 897649    | ( )       | Filter, Screen, Motor, Vacfan                 | 1    |
| 16   | MOCC00397 | ( )       | Motor Vacuum Ct15- 30- 45- 46                 | 1    |
| 16   | 9017687   | ( )       | Vr, Brush Kit, Motor, Vacfan                  | 2    |
| 17   | 897567    | ( )       | Plate, Vacuum, Motor                          | 1    |
| 18   | 897662    | ( )       | Washer, 5d                                    | 2    |
| 19   | VTVT48694 | ( )       | Screw, M5x12, Uni9707                         | 4    |
| 20   | 897569    | ( )       | Isolator, Vib                                 | 4    |
| 21   | 897570    | ( )       | Cap, Tank, Soltn                              | 1    |
| 22   | MPVR13678 | ( )       | Tank, Solution [Cs16,Injection Mold]          | 1    |

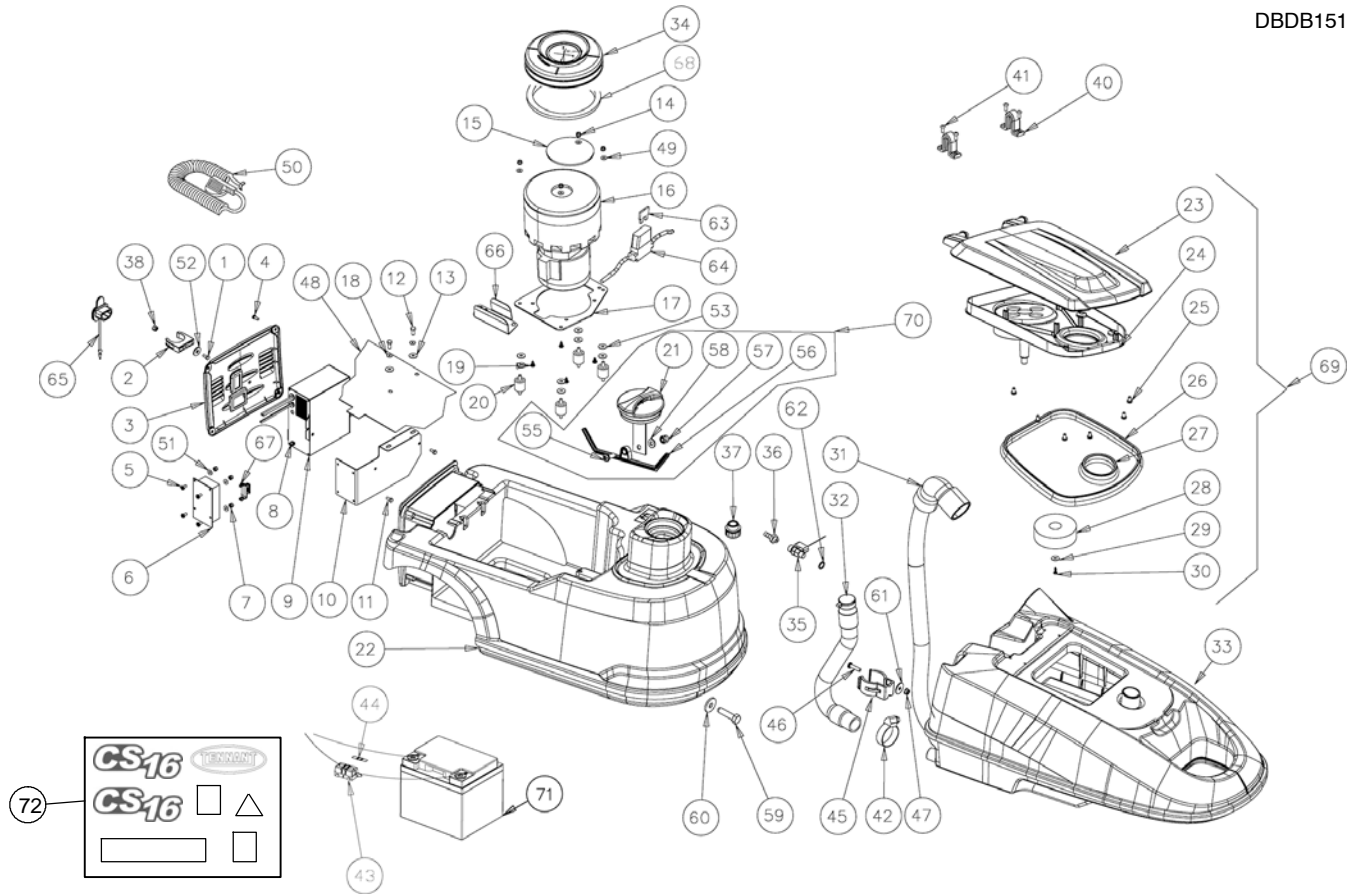
**TANK AND CHARGER GROUP, AGM AND GEL BATTERY  
(Injection Molded Models LPTB03780 / LPTB03781)**

| Ref. | Part No.  | Mfr. Date | Description                                       | Qty. |
|------|-----------|-----------|---|------|
| 23   | 897664    | ( )       | Cover, Recvy, Tank                                | 1    |
| 24   | 897665    | ( )       | Cover, Inner, Lid, Tank                           | 1    |
| 25   | 897574    | ( )       | Screw, M5x10, Uni9707                             | 8    |
| 26   | 9017840   | ( )       | Seal, Cover, Recvy, Tank                          | 1    |
| 27   | 897666    | ( )       | Gasket  | 1    |
| 28   | 9017844   | ( )       | Float, Shutoff                                    | 1    |
| 29   | 897576    | ( )       | Washer, Flat, M30x6x3                             | 1    |
| 30   | VTVT48694 | ( )       | Screw, M5x12, Uni9707                             | 1    |
| 31   | 9017842   | ( )       | Hose Assy, Recvy                                  | 1    |
| 32   | 9017845   | ( )       | Hose Assy, Drain                                  | 1    |
| 33   | MPVR13675 | ( )       | Tank, Recovery [Cs16,Injection Mold]              | 1    |
| 34   | GUG000599 | ( )       | Gasket, Motor, Vacuum                             | 1    |
| 35   | 897578    | ( )       | Valve, Hose, Mal, Fem, 1/8                        | 1    |
| 36   | 897678    | ( )       | Connector, 1/8", D7                               | 1    |
| 37   | 897176    | ( )       | Cap   | 1    |
| 38   | 897160    | ( )       | Nut, Hex, M4, Ss                                  | 1    |
| 40   | 897668    | ( )       | Hinge   | 2    |
| 41   | 897669    | ( )       | Screw, M4x16                                      | 4    |
| 42   | FSVR00002 | ( )       | Clamp, Hose, 23- 35d X 9                          | 1    |
| 43   | 897580    | ( )       | Fuseholder, Battery                               | 1    |
| 44   | 897510    | ( )       | Fuse, 30a   | 1    |
| 45   | 9017850   | ( )       | Clip, Hose, Recvy                                 | 1    |
| 46   | 897581    | ( )       | Screw   | 2    |
| 47   | VTDD04369 | ( )       | Nut, Hex, M4, Uni7473                             | 2    |
| 48   | 897583    | ( )       | Housing, Chrgr                                    | 1    |
| 49   | 897644    | ( )       | Washer, 5b, Ss, Uni1751                           | 4    |
| 50   | 1069835   | ( )       | Cord, Power, Chrgr, 120vac [Us/Jp] (NA Market)    | 1    |
| 50   | MECB02065 | ( )       | Cord, Power Chrgr Anz (ANZ Market)                | 1    |
| 51   | 897584    | ( )       | Washer, 4b  | 4    |
| 52   | 897149    | ( )       | Washer, M4x16, Ss                                 | 1    |
| 53   | 897384    | ( )       | Washer, 5b, 14d, Ss                               | 8    |
| 55   | VTVT15965 | ( )       | Screw, Pan, Phl, M4x12, Ss, Uni7687               | 1    |
| 56   | 897587    | ( )       | Retainer, Cap, Soltn                              | 1    |
| 57   | 897276    | ( )       | Nut, Hex, M4                                      | 1    |
| 58   | 897156    | ( )       | Washer, 4d, Ss                                    | 1    |
| 59   | 897588    | ( )       | Screw, Hex, M5x35, Uni5739                        | 1    |
| 60   | 897384    | ( )       | Washer, 5b, 14d, Ss                               | 1    |
| 61   | 897589    | ( )       | Washer, 4b 16d, Uni6592                           | 2    |
| 62   | 897590    | ( )       | Seal, Org, D6.75x1.78, 70sh                       | 1    |
| 63   | MEVR00039 | ( )       | Fuse, 020a  | 1    |
| 64   | MECB02466 | ( )       | Wiring, Complete [Cs16 Na,Batt] (AGM - NA Market) | 1    |
| 64   | MECB02423 | ( )       | Wiring, Complete [Cs16,Batt] (GEL - ANZ Market)   | 1    |
| 65   | 897591    | ( )       | Cap, Chrgr  | 1    |
| 66   | LAFN12201 | ( )       | Bracket, Holder, Cb [Cs16]                        | 1    |
| 67   | MPVR12325 | ( )       | Clip, Block, Flat                                 | 1    |
| 68   | FSVR00264 | ( )       | Clamp   | 1    |
| 69   | KTRI05575 | ( )       | Cover Assy, Recvy, Tank                           | 1    |
| 70   | KTRI02097 | ( )       | Kit Ct15- Ct30                                    | 1    |
| 71   | 9017854   | ( )       | Battery 12v 29ah/C5 Ct15 (AGM - NA Market)        | 2    |
| 71   | BAAC00123 | ( )       | Battery 12v 25ah (C5) (GEL - ANZ Market)          | 2    |
| 72   | KTRI06255 | ( )       | Label Kit [Cs16]                                  | 1    |

# STANDARD PARTS

## TANK AND CHARGER GROUP, LITHIUM BATTERY (Injection Molded Model LPTB03794)

DBDB15107



| Ref. | Part No.  | Mfr. Date | Description   | Qty. |
|------|-----------|-----------|---|------|
| 1    | 897359    | ( )       | Screw, M4x16, Ss, Uni7687                                 | 1    |
| 2    | 897245    | ( )       | Clip, Hose  | 1    |
| 3    | 897558    | ( )       | Cover, Chrgr, Battery                                     | 1    |
| 4    | VTVT01072 | ( )       | Screw, Pan, Torx, 5x16, Fmg, Kn1038                       | 4    |
| 5    | 897564    | ( )       | Screw, Hex, M4x10, Uni5739                                | 4    |
| 6    | MECE00827 | ( )       | Circuitboard, Power, 60v                                  | 1    |
| 7    | VTDD04368 | ( )       | Nut, Hex, M4, Uni5588                                     | 4    |
| 8    | VTDD04369 | ( )       | Nut, Hex, M4, Uni7473                                     | 2    |
| 9    | BACA00296 | ( )       | Charger, 24vdc, 5a [Li- Ion, Onbrd] (Lithium - NA Market) | 1    |
| 10   | 897563    | ( )       | Plate, Chrgr  | 1    |
| 11   | 897564    | ( )       | Screw, Hex, M4x10, Uni5739                                | 2    |
| 12   | 897565    | ( )       | Screw, Hex, M5 X 10, Uni5739                              | 2    |
| 13   | 897384    | ( )       | Washer, 5b, 14d, Ss                                       | 2    |
| 14   | 897497    | ( )       | Nut, M5, Ss   | 4    |
| 15   | 897649    | ( )       | Filter, Screen, Motor, Vacfan                             | 1    |
| 16   | MOCC00397 | ( )       | Motor Vacuum Ct15- 30- 45- 46                             | 1    |
| 16   | 9017687   | ( )       | Vr, Brush Kit, Motor, Vacfan                              | 2    |
| 17   | 897567    | ( )       | Plate, Vacuum, Motor                                      | 1    |
| 18   | 897662    | ( )       | Washer, 5d  | 2    |
| 19   | VTVT48694 | ( )       | Screw, M5x12, Uni9707                                     | 4    |
| 20   | 897569    | ( )       | Isolator, Vib   | 4    |
| 21   | 897570    | ( )       | Cap, Tank, Soltn  | 1    |
| 22   | MPVR13678 | ( )       | Tank, Solution [Cs16,Injection Mold]                      | 1    |

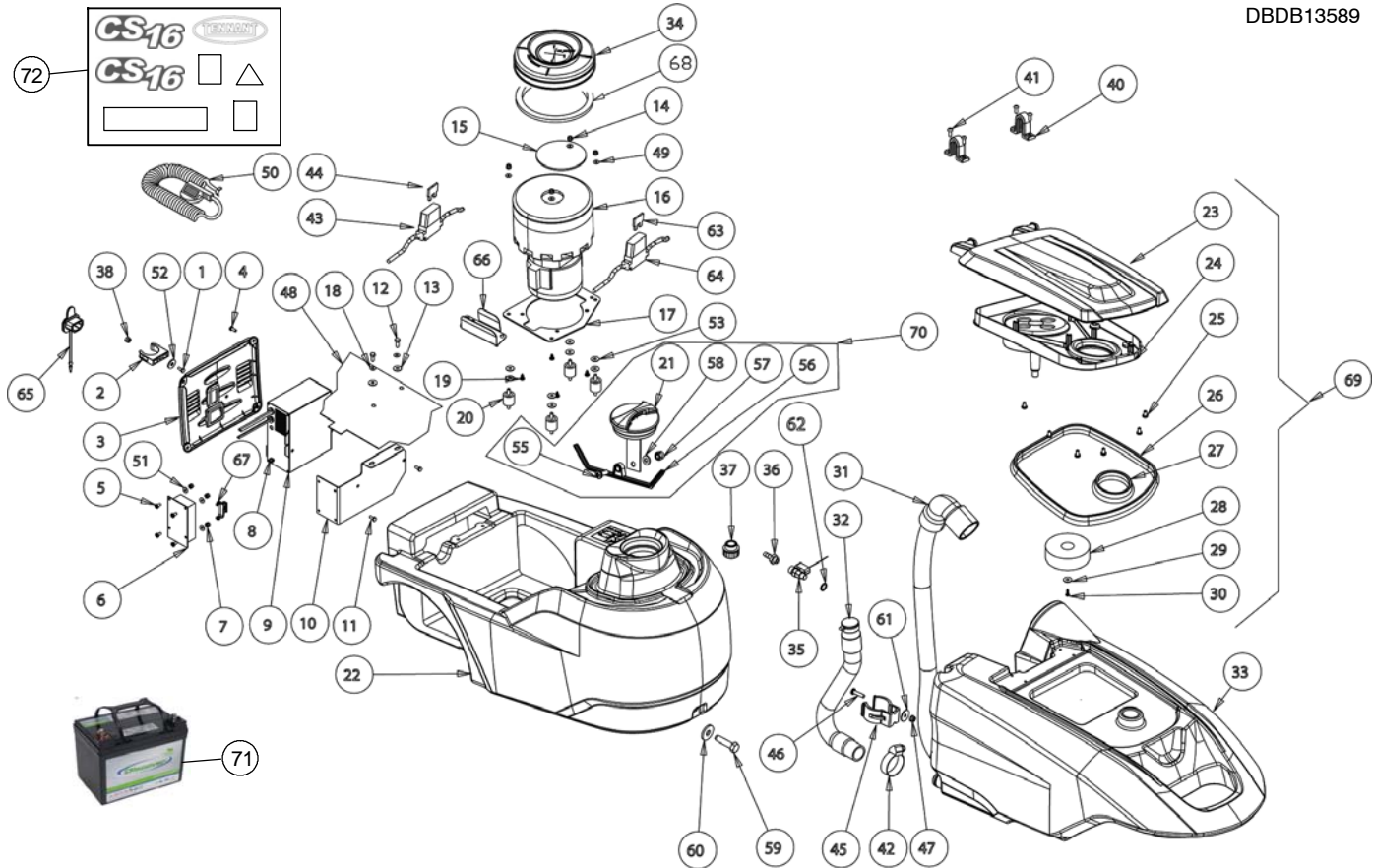
**TANK AND CHARGER GROUP, LITHIUM BATTERY  
(Injection Molded Model LPTB03794)**

| Ref. | Part No.  | Mfr. Date | Description  | Qty. |
|------|-----------|-----------|--|------|
| 23   | 897664    | ( )       | Cover, Recvy, Tank                                   | 1    |
| 24   | 897665    | ( )       | Cover, Inner, Lid, Tank                              | 1    |
| 25   | 897574    | ( )       | Screw, M5x10, Uni9707                                | 8    |
| 26   | 9017840   | ( )       | Seal, Cover, Recvy, Tank                             | 1    |
| 27   | 897666    | ( )       | Gasket   | 1    |
| 28   | 9017844   | ( )       | Float, Shutoff                                       | 1    |
| 29   | 897576    | ( )       | Washer, Flat, M30x6x3                                | 1    |
| 30   | VTVT48694 | ( )       | Screw, M5x12, Uni9707                                | 1    |
| 31   | 9017842   | ( )       | Hose Assy, Recvy                                     | 1    |
| 32   | 9017845   | ( )       | Hose Assy, Drain                                     | 1    |
| 33   | MPVR13675 | ( )       | Tank, Recovery [Cs16,Injection Mold]                 | 1    |
| 34   | GUG000599 | ( )       | Gasket, Motor, Vacuum                                | 1    |
| 35   | 897578    | ( )       | Valve, Hose, Mal, Fem, 1/8                           | 1    |
| 36   | 897678    | ( )       | Connector, 1/8", D7                                  | 1    |
| 37   | 897176    | ( )       | Cap  | 1    |
| 38   | 897160    | ( )       | Nut, Hex, M4, Ss                                     | 1    |
| 40   | 897668    | ( )       | Hinge  | 2    |
| 41   | 897669    | ( )       | Screw, M4x16   | 4    |
| 42   | FSVR00002 | ( )       | Clamp, Hose, 23- 35d X 9                             | 1    |
| 43   | MEVR02713 | ( )       | Holder, Fuse (Lithium - NA Market)                   | 1    |
| 44   | MEVR02104 | ( )       | Fuse 30a Omega Ft3030 (Lithium - NA Market)          | 1    |
| 45   | 9017850   | ( )       | Clip, Hose, Recvy                                    | 1    |
| 46   | 897581    | ( )       | Screw  | 2    |
| 47   | VTDD04369 | ( )       | Nut, Hex, M4, Uni7473                                | 2    |
| 48   | 897583    | ( )       | Housing, Chrgr                                       | 1    |
| 49   | 897644    | ( )       | Washer, 5b, Ss, Uni1751                              | 4    |
| 50   | 1069835   | ( )       | Cord, Power, Chrgr, 120vac [Us/Jp] (NA Market)       | 1    |
| 51   | 897584    | ( )       | Washer, 4b   | 4    |
| 52   | 897149    | ( )       | Washer, M4x16, Ss                                    | 1    |
| 53   | 897384    | ( )       | Washer, 5b, 14d, Ss                                  | 8    |
| 55   | VTVT15965 | ( )       | Screw, Pan, Phl, M4x12, Ss, Uni7687                  | 1    |
| 56   | 897587    | ( )       | Retainer, Cap, Soltn                                 | 1    |
| 57   | 897276    | ( )       | Nut, Hex, M4   | 1    |
| 58   | 897156    | ( )       | Washer, 4d, Ss                                       | 1    |
| 59   | 897588    | ( )       | Screw, Hex, M5x35, Uni5739                           | 1    |
| 60   | 897384    | ( )       | Washer, 5b, 14d, Ss                                  | 1    |
| 61   | 897589    | ( )       | Washer, 4b 16d, Uni6592                              | 2    |
| 62   | 897590    | ( )       | Seal, Org, D6.75x1.78, 70sh                          | 1    |
| 63   | MEVR00039 | ( )       | Fuse, 020a   | 1    |
| 64   | MECB02444 | ( )       | Wiring, Complete [Cs16,Batt] (Lithium - NA Market)   | 1    |
| 65   | 897591    | ( )       | Cap, Chrgr   | 1    |
| 66   | LAFN12201 | ( )       | Bracket, Holder, Cb [Cs16]                           | 1    |
| 67   | MPVR12325 | ( )       | Clip, Block, Flat                                    | 1    |
| 68   | FSVR00264 | ( )       | Clamp  | 1    |
| 69   | KTRI05575 | ( )       | Cover Assy, Recvy, Tank                              | 1    |
| 70   | KTRI02097 | ( )       | Kit Ct15- Ct30                                       | 1    |
| 71   | BAAC00212 | ( )       | Battery, 24vdc, 25ah [Li- Ion] (Lithium - NA Market) | 2    |
| 72   | KTRI06255 | ( )       | Label Kit [Cs16]                                     | 1    |

# STANDARD PARTS

## TANK AND CHARGER GROUP, AGM AND GEL BATTERY (Rotational Moulded Models LPTB03328 / LPTB03302)

DBDB13589



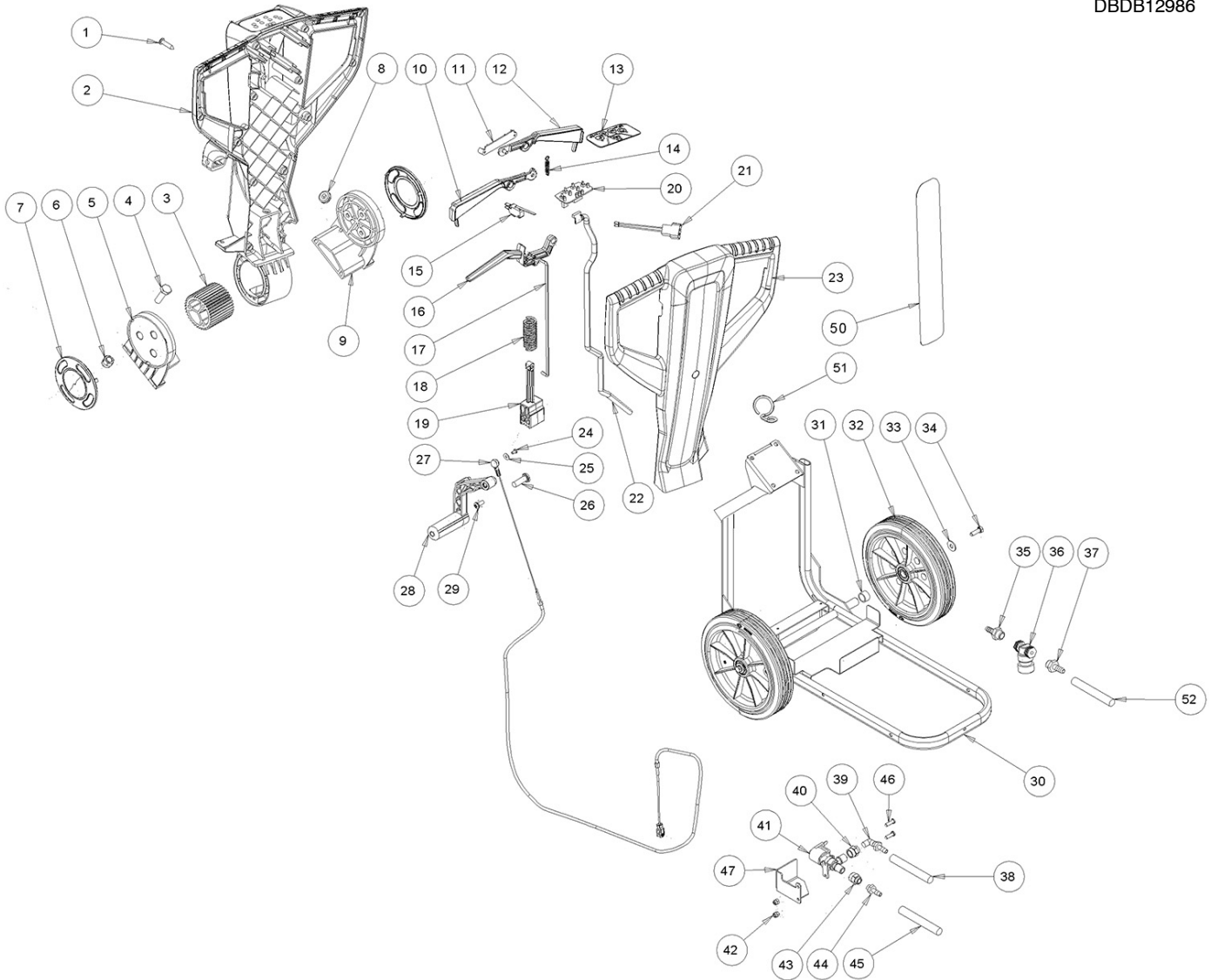
| Ref. | Part No.  | Mfr. Date | Description                     | Qty. |
|------|-----------|-----------|---------------------------------|------|
| 1    | 897359    | ( )       | Screw, M4x16, Ss, Uni7687       | 1    |
| 2    | 897245    | ( )       | Clip, Hose                      | 1    |
| 3    | 897558    | ( )       | Cover, Chrgr, Battery           | 1    |
| 4    | 897559    | ( )       | Screw, Btn, Soc, M5x12, Iso7380 | 4    |
| 5    | 897564    | ( )       | Screw, Hex, M4x10, Uni5739      | 4    |
| 6    | MECE00827 | ( )       | Circuitboard, Power, 60v        | 1    |
| 7    | VTDD04368 | ( )       | Nut, Hex, M4, Uni5588           | 4    |
| 8    | VTDD04369 | ( )       | Nut, Hex, M4, Uni7473           | 2    |
| 9    | BACA00254 | ( )       | Charger, Battery, 24vdc, 5a     | 1    |
| 10   | 897563    | ( )       | Plate, Chrgr                    | 1    |
| 11   | 897564    | ( )       | Screw, Hex, M4x10, Uni5739      | 2    |
| 12   | 897565    | ( )       | Screw, Hex, M5 X 10, Uni5739    | 2    |
| 13   | 897384    | ( )       | Washer, 5b, 14d, Ss             | 2    |
| 14   | 897497    | ( )       | Nut, M5, Ss                     | 4    |
| 15   | 897649    | ( )       | Filter, Screen, Motor, Vacfan   | 1    |
| 16   | MOCC00397 | ( )       | Motor Vacuum Ct15- 30- 45- 46   | 1    |
| 16   | 9017687   | ( )       | Vr, Brush Kit, Motor, Vacfan    | 2    |
| 17   | 897567    | ( )       | Plate, Vacuum, Motor            | 1    |
| 18   | 897662    | ( )       | Washer, 5d                      | 2    |
| 19   | VTVT48694 | ( )       | Screw, M5x12, Uni9707           | 4    |
| 20   | 897569    | ( )       | Isolator, Vib                   | 4    |
| 21   | 897570    | ( )       | Cap, Tank, Soltn                | 1    |
| 22   | 897663    | ( )       | Tank, Soltn                     | 1    |

**TANK AND CHARGER GROUP, AGM AND GEL BATTERY  
(Rotational Molded Models LPTB03328 / LPTB03302)**

| Ref. | Part No.  | Mfr. Date | Description                                    | Qty. |
|------|-----------|-----------|--|------|
| 23   | 897664    | ( )       | Cover, Recvy, Tank                             | 1    |
| 24   | 897665    | ( )       | Cover, Inner, Lid, Tank                        | 1    |
| 25   | 897574    | ( )       | Screw, M5x10, Uni9707                          | 8    |
| 26   | 9017840   | ( )       | Seal, Cover, Recvy, Tank                       | 1    |
| 27   | 897666    | ( )       | Gasket   | 1    |
| 28   | 9017844   | ( )       | Float, Shutoff                                 | 1    |
| 29   | 897576    | ( )       | Washer, Flat, M30x6x3                          | 1    |
| 30   | VTVT48694 | ( )       | Screw, M5x12, Uni9707                          | 1    |
| 31   | 9017842   | ( )       | Hose Assy, Recvy                               | 1    |
| 32   | 9017845   | ( )       | Hose Assy, Drain                               | 1    |
| 33   | MPVR12899 | ( )       | Tank, Recvy                                    | 1    |
| 34   | GUG000599 | ( )       | Gasket, Motor, Vacuum                          | 1    |
| 35   | 897578    | ( )       | Valve, Hose, Mal, Fem, 1/8                     | 1    |
| 36   | 897678    | ( )       | Connector, 1/8", D7                            | 1    |
| 37   | 897176    | ( )       | Cap  | 1    |
| 38   | 897160    | ( )       | Nut, Hex, M4, Ss                               | 1    |
| 40   | 897668    | ( )       | Hinge  | 2    |
| 41   | 897669    | ( )       | Screw, M4x16                                   | 4    |
| 42   | FSVR00002 | ( )       | Clamp, Hose, 23- 35d X 9                       | 1    |
| 43   | 897580    | ( )       | Fuseholder, Battery                            | 1    |
| 44   | 897510    | ( )       | Fuse, 30a                                      | 1    |
| 45   | 9017850   | ( )       | Clip, Hose, Recvy                              | 1    |
| 46   | 897581    | ( )       | Screw  | 2    |
| 47   | VTDD04369 | ( )       | Nut, Hex, M4, Uni7473                          | 2    |
| 48   | 897583    | ( )       | Housing, Chrgr                                 | 1    |
| 49   | 897644    | ( )       | Washer, 5b, Ss, Uni1751                        | 4    |
| 50   | 1069835   | ( )       | Cord, Power, Chrgr, 120vac [Us/Jp] (NA Market) | 1    |
| 50   | MECB02065 | ( )       | Cord, Power Chrgr Anz (ANZ Market)             | 1    |
| 51   | 897584    | ( )       | Washer, 4b                                     | 4    |
| 52   | 897149    | ( )       | Washer, M4x16, Ss                              | 1    |
| 53   | 897384    | ( )       | Washer, 5b, 14d, Ss                            | 8    |
| 55   | VTVT15965 | ( )       | Screw, Pan, Phl, M4x12, Ss, Uni7687            | 1    |
| 56   | 897587    | ( )       | Retainer, Cap, Soltn                           | 1    |
| 57   | 897276    | ( )       | Nut, Hex, M4                                   | 1    |
| 58   | 897156    | ( )       | Washer, 4d, Ss                                 | 1    |
| 59   | 897588    | ( )       | Screw, Hex, M5x35, Uni5739                     | 1    |
| 60   | 897384    | ( )       | Washer, 5b, 14d, Ss                            | 1    |
| 61   | 897589    | ( )       | Washer, 4b 16d, Uni6592                        | 2    |
| 62   | 897590    | ( )       | Seal, Org, D6.75x1.78, 70sh                    | 1    |
| 63   | MEVR00039 | ( )       | Fuse, 020a                                     | 1    |
| 64   | MECB02074 | ( )       | Harness, Fuse                                  | 1    |
| 64   | 897647    | ( )       | Harness, Fuse                                  | 1    |
| 65   | 897591    | ( )       | Cap, Chrgr                                     | 1    |
| 66   | 897592    | ( )       | Bracket  | 1    |
| 67   | MPVR12325 | ( )       | Clip, Block, Flat                              | 1    |
| 68   | FSVR00264 | ( )       | Clamp  | 1    |
| 69   | KTRI05575 | ( )       | Cover Assy, Recvy, Tank                        | 1    |
| 70   | KTRI02097 | ( )       | Kit Ct15- Ct30                                 | 1    |
| 71   | BAAC00178 | ( )       | Battery 12v 29ah/C5 Ct15 (AGM - NA Market)     | 2    |
| 71   | BAAC00123 | ( )       | Battery 12v 25ah (C5) (GEL - ANZ Market)       | 2    |
| 72   | KTRI06255 | ( )       | Label Kit [Cs16]                               | 1    |

HANDLE AND FRAME GROUP

DBDB12986



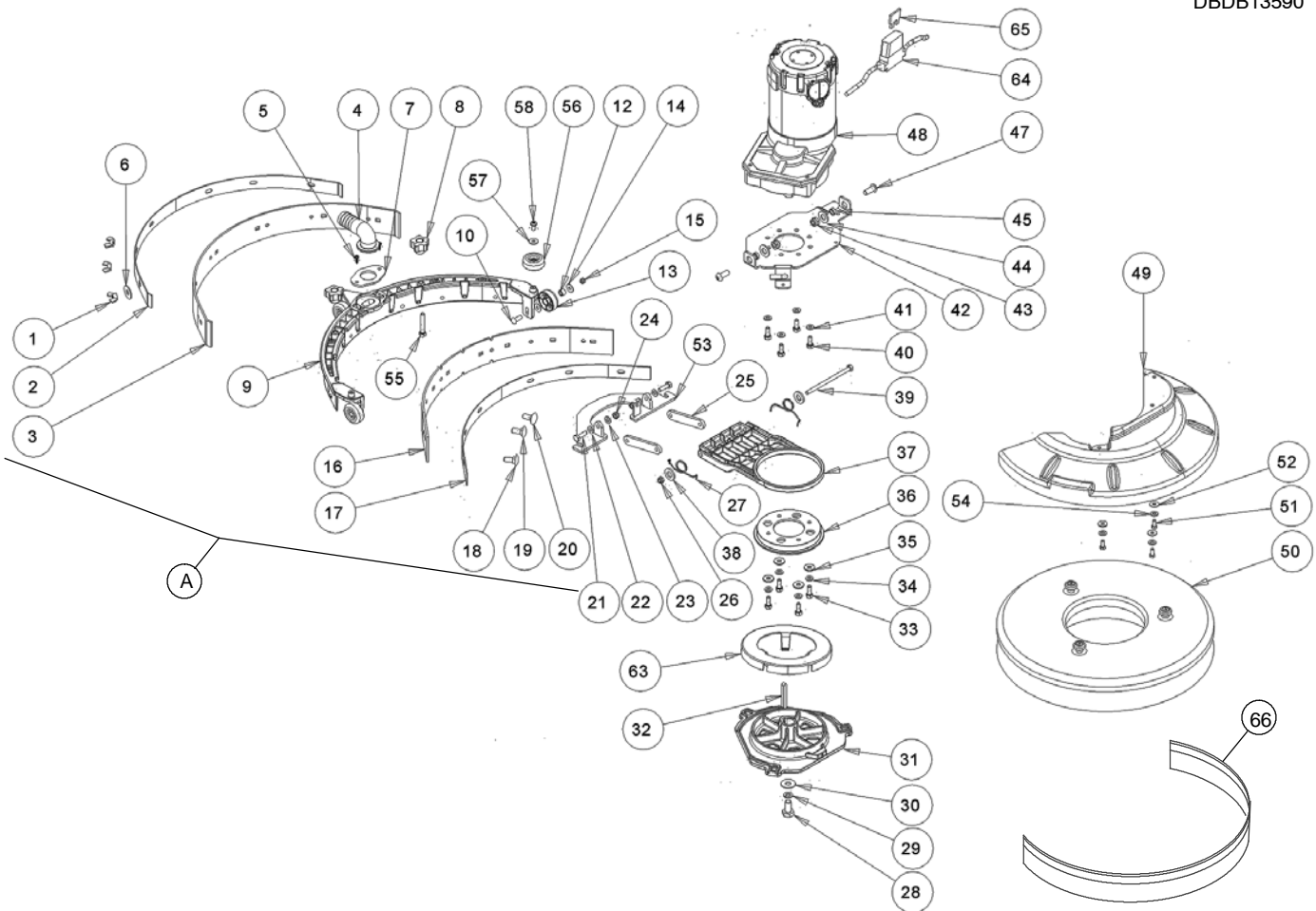
| Ref. | Part No.  | Mfr. Date | Description                | Qty. |
|------|-----------|-----------|----------------------------|------|
| 1    | 897593    | ( )       | Screw, M4.8x19             | 14   |
| 2    | 897670    | ( )       | Handle , Rear              | 1    |
| 3    | 897595    | ( )       | Gear                       | 1    |
| 4    | VTVT75724 | ( )       | Screw, Hex, M8 X 1.25 X 22 | 4    |
| 5    | 897597    | ( )       | Cover, Rh                  | 1    |
| 6    | 897598    | ( )       | Nut, M8, Flat              | 4    |
| 7    | 897599    | ( )       | Cover                      | 2    |
| 8    | 897600    | ( )       | Nut, Lead                  | 1    |
| 9    | 897601    | ( )       | Cover, Lh                  | 1    |
| 10   | 897671    | ( )       | Lever, Rh                  | 1    |
| 11   | 897603    | ( )       | Bracket, Sppt, Electronic  | 1    |
| 12   | 897672    | ( )       | Lever, Lh                  | 1    |
| 13   | 897673    | ( )       | Label, Panl, Cntrl         | 1    |
| 14   | 897606    | ( )       | Spring                     | 1    |
| 15   | 9017689   | ( )       | Switch, Handle             | 1    |

## HANDLE AND FRAME GROUP

| Ref. | Part No.  | Mfr. Date | Description                                 | Qty. |
|------|-----------|-----------|---|------|
| 16   | 897674    | ( )       | Lever, Adjmt                                | 1    |
| 17   | KTRI02273 | ( )       | Handle Kit, Adj, Rod                        | 1    |
| 18   | 897608    | ( )       | Spring, Cmpr                                | 1    |
| 19   | 897609    | ( )       | Support, Handle                             | 1    |
| 20   | 897610    | ( )       | Circuitboard Assy                           | 1    |
| 21   | 897611    | ( )       | Cable, Switch, Push, Harness                | 1    |
| 22   | 897612    | ( )       | Cable, Ribbon, Flat                         | 1    |
| 23   | 897675    | ( )       | Crankcase, Handle, Front                    | 1    |
| 24   | 897150    | ( )       | Screw, M4x12                                | 1    |
| 25   | 897149    | ( )       | Washer, M4x16, Ss                           | 1    |
| 26   | 897614    | ( )       | Pin   | 1    |
| 27   | 9017846   | ( )       | Cable, Lift, Sqge                           | 1    |
| 28   | 9017688   | ( )       | Lever, Lift, Sqge                           | 1    |
| 29   | 897615    | ( )       | Screw, M6x12                                | 1    |
| 30   | 897616    | ( )       | Frmae, Main                                 | 1    |
| 31   | 897617    | ( )       | Bushing                                     | 2    |
| 32   | 897618    | ( )       | Wheel, Gray, 250d                           | 2    |
| 33   | 897619    | ( )       | Washer, 8b 24d                              | 2    |
| 34   | 897676    | ( )       | Screw, Hex, M8x16, Uni5739                  | 2    |
| 35   | 897677    | ( )       | Connector                                   | 1    |
| 36   | 9018511   | ( )       | Filter, Water                               | 1    |
| 37   | 897677    | ( )       | Connector                                   | 1    |
| 38   | TBBP00732 | ( )       | Hose, Soltn, 24mm                           | 1    |
| 39   | 897678    | ( )       | Connector, 1/8", D7                         | 1    |
| 40   | 897679    | ( )       | Connector                                   | 1    |
| 41   | 9017847   | ( )       | Valve, Water, Solenoid, 24vdc               | 1    |
| 42   | 897276    | ( )       | Nut, Hex, M4                                | 2    |
| 43   | 897679    | ( )       | Connector                                   | 1    |
| 44   | 897678    | ( )       | Connector, 1/8", D7                         | 1    |
| 45   | TBBP00733 | ( )       | Hose, Soltn, 445mm                          | 1    |
| 46   | 897359    | ( )       | Screw, M4x16, Ss, Uni7687                   | 2    |
| 47   | 897623    | ( )       | Bracket, Solenoid, Valve                    | 1    |
| 50   | N/A       | ( )       | Label Dashboard (Order Label Kit KTRI06255) | 1    |
| 51   | 897625    | ( )       | Hook, Guide, Cable                          | 1    |
| 52   | TBBP00731 | ( )       | Hose, Soltn, 335mm                          | 1    |

SQUEEGEE ASSEMBLY AND BRUSH DRIVE GROUP

DBDB13590



| Ref. | Part No.  | Mfr. Date | Description   | Qty. |
|------|-----------|-----------|---|------|
| A    | PMVR06994 | ( )       | Squeegee Assy, Linatex (Includes items 1- 20, 54- 58) | 1    |
| A    | 9017852   | ( )       | Squeegee Assy, Latex (Includes items 1- 20, 54- 58)   | 1    |
| 1    | 897626    | ( )       | Nut, Wing, M5   | 6    |
| 2    | 897627    | ( )       | Plate, Retaining, Sqge                                | 1    |
| 3    | 9017830   | ( )       | Blade, Sqge, Rear, 596l, Linatex                      | 1    |
| 3    | 9017827   | ( )       | Blade, Sqge, Rear, 596l, Latex                        | 1    |
| 3    | 9017832   | ( )       | Blade Kit, Sqge, 536l/596l,Pyu                        | 1    |
| 4    | 897628    | ( )       | Fitting, Connector, Elbow                             | 1    |
| 5    | VTVT48694 | ( )       | Screw, M5x12, Uni9707                                 | 2    |
| 6    | 897384    | ( )       | Washer, 5b, 14d, Ss                                   | 6    |
| 7    | 897629    | ( )       | Flange, Sqge  | 1    |
| 8    | 897630    | ( )       | Knob, Small   | 2    |
| 9    | 897631    | ( )       | Frame, Sqge, Yel                                      | 1    |
| 10   | 897632    | ( )       | Screw, M5x20  | 3    |
| 12   | 897633    | ( )       | Bushing   | 3    |
| 13   | 9017848   | ( )       | Wheel, Sqge   | 3    |
| 14   | 897384    | ( )       | Washer, 5b, 14d, Ss                                   | 6    |
| 15   | 897497    | ( )       | Nut, M5, Ss   | 3    |
| 16   | MPVR06535 | ( )       | Blade, Sqge, Front, 536l, Linatex [Cs16]              | 1    |
| 16   | 9017826   | ( )       | Blade, Sqge, Front, 536l, Latex                       | 1    |
| 16   | 9017832   | ( )       | Blade Kit, Sqge, 536l/596l,Pyu                        | 1    |
| 17   | 897634    | ( )       | Plate, Retaining, Sqge                                | 1    |
| 18   | 897635    | ( )       | Screw, M5x25  | 2    |

## SQUEEGEE ASSEMBLY AND BRUSH DRIVE GROUP

| Ref. | Part No.  | Mfr. Date | Description  | Qty. |
|------|-----------|-----------|--|------|
| 19   | 897681    | ( )       | Screw, M5x35                                       | 2    |
| 20   | 897681    | ( )       | Screw, M5x35                                       | 2    |
| 21   | VTVT13939 | ( )       | Screw Te 6x20 Uni5739 Inx                          | 2    |
| 22   | 897106    | ( )       | Washer, Flat, 11d 6b 1.6, Ss, Uni6592              | 2    |
| 23   | 897106    | ( )       | Washer, Flat, 11d 6b 1.6, Ss, Uni6592              | 2    |
| 24   | VTDD01694 | ( )       | Nut, Hex, Lock, M6, Ss, Din985                     | 2    |
| 25   | 897636    | ( )       | Arm, Sqge  | 2    |
| 26   | VTDD01694 | ( )       | Nut, Hex, Lock, M6, Ss, Din985                     | 1    |
| 27   | 9017849   | ( )       | Spring, Sqge                                       | 2    |
| 28   | 897316    | ( )       | Screw, Hex, M8x20, Ss, Uni5739                     | 1    |
| 29   | 897216    | ( )       | Washer, 8b, Ss, Uni1751                            | 1    |
| 30   | 897120    | ( )       | Washer, Flat, 24d 8b, Ss, Uni6593                  | 1    |
| 31   | KTRI06334 | ( )       | Driver Kit, Alm                                    | 1    |
| 32   | VTVR16617 | ( )       | Key, 6x6x30, Uni6604                               | 1    |
| 33   | VTVT13939 | ( )       | Screw Te 6x20 Uni5739 Inx                          | 4    |
| 34   | 897129    | ( )       | Washer, M6, Ss, Uni1751                            | 4    |
| 35   | 897112    | ( )       | Washer, Flat, 18d 6b 1.6, Uni6593                  | 4    |
| 36   | 897637    | ( )       | Bracket  | 1    |
| 37   | 897638    | ( )       | Bracket, Side                                      | 1    |
| 38   | 897112    | ( )       | Washer, Flat, 18d 6b 1.6, Uni6593                  | 2    |
| 39   | 897639    | ( )       | Screw, M6x140                                      | 1    |
| 40   | 897130    | ( )       | Screw, Hex, M6x12, Uni5739                         | 4    |
| 41   | 897129    | ( )       | Washer, M6, Ss, Uni1751                            | 4    |
| 42   | 897640    | ( )       | Bracket, Brush, Motor                              | 1    |
| 43   | 897124    | ( )       | Nut, Hex, M8, Ss                                   | 2    |
| 44   | 897152    | ( )       | Washer, 8d, Ss, Uni6592                            | 2    |
| 45   | 897641    | ( )       | Bushing  | 2    |
| 47   | 897246    | ( )       | Screw, Hex, M8x30, Ss, Uni5739                     | 2    |
| 48   | 897642    | ( )       | Motor, Brush, 24v                                  | 1    |
| 48   | MEVR02923 | ( )       | Vr, Brush Kit, Motor, Brush [4 Pc]                 | 4    |
| 49   | 9018330   | ( )       | Cover, Brush                                       | 1    |
| 50   | SPPV02656 | ( )       | Brush Assy, Disk, Scb, 35cm, 3- Lug, Pyp           | 1    |
| 50   | SPPV02664 | ( )       | Driver Assy, Pad, 35cm                             | 1    |
| 51   | 897459    | ( )       | Screw, Hex, M5x12, Ss                              | 3    |
| 52   | 897384    | ( )       | Washer, 5b, 14d, Ss                                | 3    |
| 53   | 897643    | ( )       | Support, Sqge                                      | 1    |
| 54   | 897644    | ( )       | Washer, 5b, Ss, Uni1751                            | 3    |
| 55   | 897115    | ( )       | Screw, M6x55, Ss                                   | 2    |
| 56   | 9017848   | ( )       | Wheel, Sqge  | 2    |
| 57   | 897384    | ( )       | Washer, 5b, 14d, Ss                                | 2    |
| 58   | VTVT48694 | ( )       | Screw, M5x12, Uni9707                              | 2    |
| 64   | MECB02466 | ( )       | Wiring, Complete [Cs16 Na,Batt] (AGM - NA Market)  | 1    |
| 64   | MECB02423 | ( )       | Wiring, Complete [Cs16,Batt] (GEL - ANZ Market)    | 1    |
| 64   | MECB02444 | ( )       | Wiring, Complete [Cs16,Batt] (Lithium - NA Market) | 1    |
| 65   | 897648    | ( )       | Fuse, 25a  | 1    |
| 66   | 9017851   | ( )       | Guard, Splash (Option)                             | 1    |

ELECTRICAL DIAGRAM

