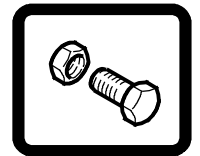




S780

Battery Rider Sweeper

Parts Manual



TennantTrue® Parts

Global



To view, print or download
the parts manual, visit:

www.tennantco.com/manuals

9022567
Rev. 01 (03-2024)

Only use TENNANT Company supplied or equivalent parts. Parts and supplies may be ordered online, by phone or from any Tennant Authorized Service Center or Distributor.

Before Ordering any parts or supplies, be sure to have the machine model number and serial number available.

Serial Number Location



Tennant Company
10400 Clean Street
Eden Prairie, MN 55344-2650
USA
Phone: (800) 553-8033
www.tennantco.com

Tennant Company N.V.
Industrielaan 6 5405 AB
P.O. Box 6 5400 AA
Uden- The Netherlands
europe@tennantco.com
www.tennantco.com

Specifications and parts are subject to change without notice.

Copyright © 2024 TENNANT Company

RECOMMENDED SPARE PARTS LIST 4

REPLACEMENT BRUSHES 5

FRAME GROUP 6

DRIVE WHEEL AND REAR WHEEL GROUP 10

ELECTRICAL COMPONENTS GROUP 14

FILTER AND DUST FLAP GROUP 20

MAIN BRUSH GROUP 24

SIDE BRUSH GROUP 28

HOPPER GROUP 30

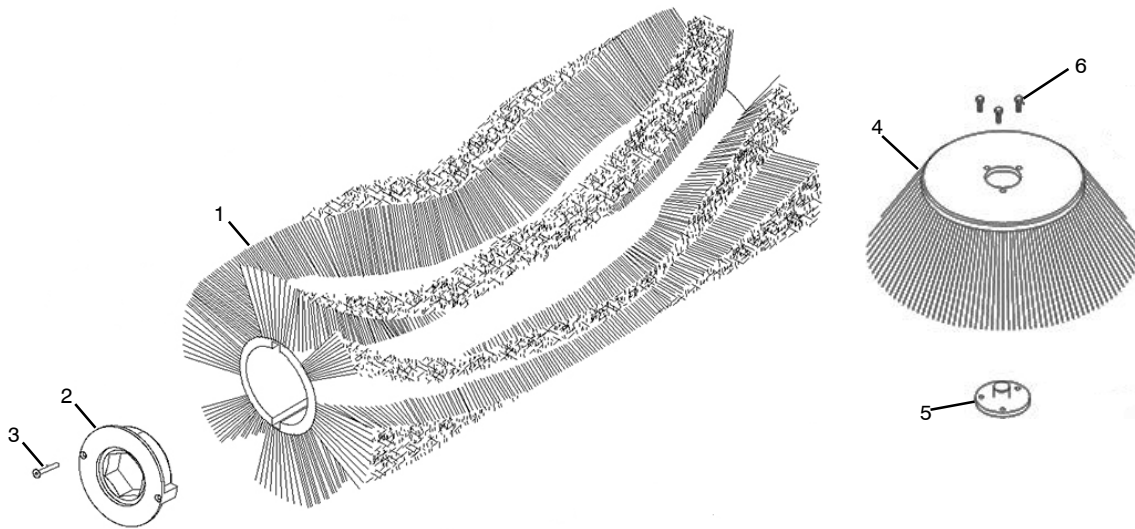
DRIVE WHEEL BREAKDOWN GROUP 32

ELECTRICAL DIAGRAM 34

RECOMMENDED SPARE PARTS LIST

Part No.	Description
KTRI06627	Assy, Main Brush, PPL (SPPV75791)
KTRI06625	Assy, Main Brush, PPL - Soft (Carpet) (SPPV01379)
KTRI06626	Assy, Main Brush, Mix Soft/steel - Medium (SPPV00013)
SPPV75793	Main Brush, Mix PPL/Steel - Abrasive
PMVR00283	Side Brush, PPL (Standard)
PMVR07065	Side Brush, Mix PPL/Steel - Abrasive (Option)
MPVR75936	Side Flap
MPVR75935	Front Flap
MPVR75934	Rear Flap
KTRI04766	Flap Kit, non-marking (Option)
FTDP76070	Filter Panel, Polyester (Standard)
FTDP76067	Filter Panel, Paper (Option)
MTCG00139	Belt d.8 710
MTCG00138	Belt d.10 710
CUVR17004	Brush Bearing
CMCV00451	Cable, Main Brush Lift
CMCV75904	Sheath, Main Brush Lift Cable
KTRI02289	Traction Potentiometer
KTRI05576	Speed Limit Potentiometer
GUVR00625	Waste Container Gasket
VEVR00070	Fan Motor
9018332	Fuse, 50A, Brush Motor
MOCC87164	Brush Motor
9017784	Brush Motor Carbons
MOCC00443	Side Brush Motor (left side)
MOCC00442	Side Brush Motor (right side)
MEVR31145	Side Brush Motor Carbons
MELF33431	Lamp, Beacon
MOCC00445	Traction Motor
MEVR02107	Traction Motor Carbons
RTRT00548	Front Rubber Wheel
PMVR02380	Rear Rubber Wheel
KTRI02348	Wheel Kit, non-marking (Option)
CUVR00005	Main Brush Pulley Bearing
MECI75801	Microswitch, Brush
MLML85997	Pedal Spring
MECE00591	Display Board
MECE00592	Service Board
MECE00925	Traction Board
MECE00915	Inverter Board
MECI00532	Main Contactor, 24V- 100A
MECE00201	Relay 24V 10- 20A
994203	Battery, 06Vdc 0180Ah, Gel [5H,GF06180] (EMEA)
BACA00273	Charger, Battery, 24Vdc, 25A [SB50] (EMEA)
MECB00922	Battery Charger Cord (EMEA)
MECB02036	Battery Charger Cord (UK)
9015391	Charger Kit, 24VDC, Off- Board, Delta- Q (ANZ)
1026325	Battery Charger Cord [ANZ] - (Delta- Q)
MECB02065	Battery Charger Cord [ANZ] - (SPE battery Charger)
L-390764	Battery, 6Vdc, 180Ah, Gel, Trojan (ANZ)
L-GF06180V	Battery, 6Vdc, 180Ah, Gel, Exide (ANZ)

REPLACEMENT BRUSHES

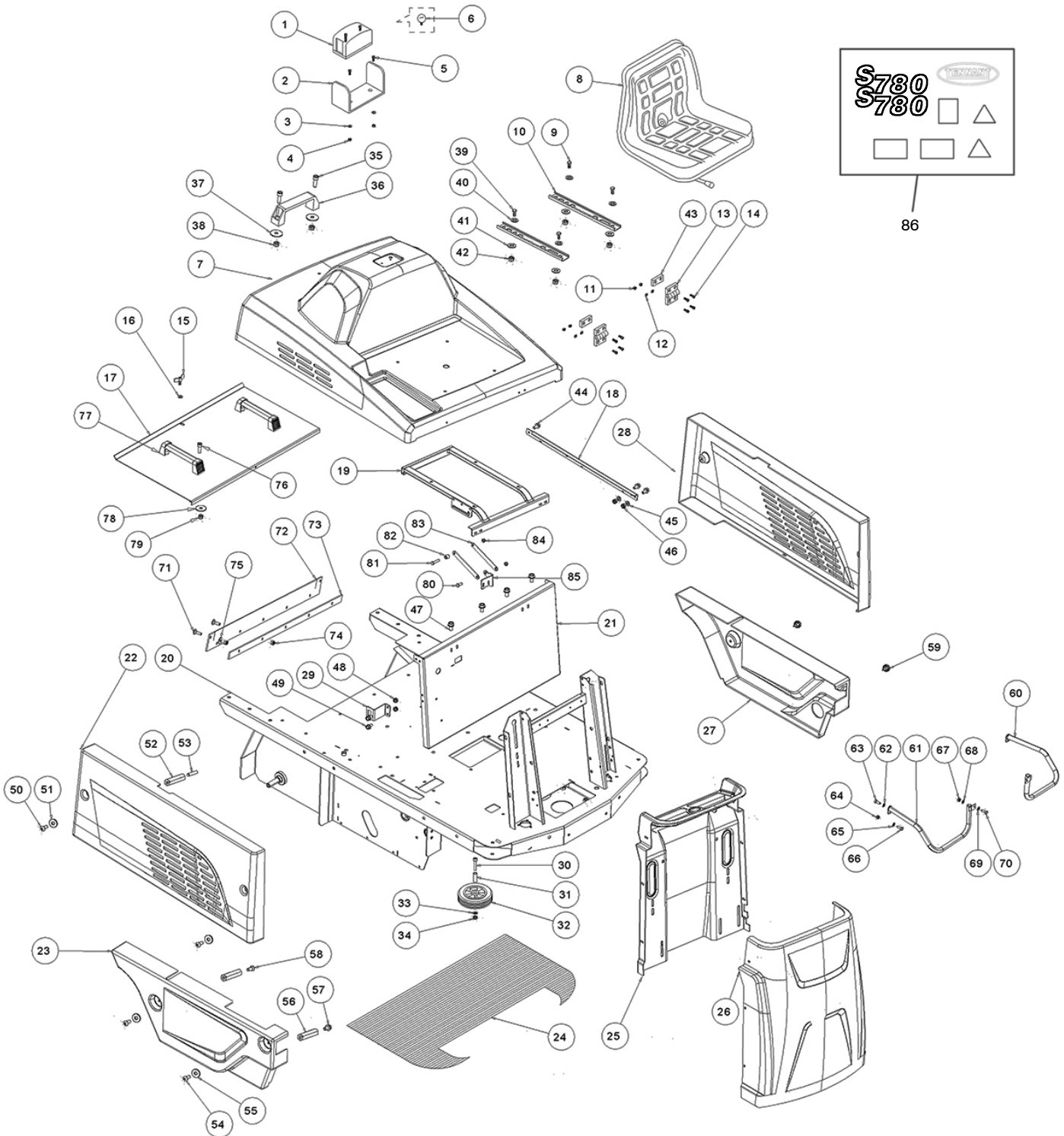


Ref.	Part No.	Mfr. Date	Description	Qty.
▽	1	KTRI06627	() Assy, Brush, Main, Ppl	1
	1	SPPV75791	() Brush, Swp, Main, Pyp	1
▽	1	KTRI06625	() Assy, Brush, Main, soft	1
	1	SPPV01379	() Brush, Swp, Main, Ppl, Soft (Carpet)	1
▽	1	KTRI06626	() Assy, Brush, Main, Ppl/Wire	1
	1	SPPV00013	() Brush, Swp, Main, Pyp Soft/Wir	1
	1	SPPV75793	() Brush, Swp, Main, Ppl/Steel, Abr	1
▲	2	LAFN45099	() Drive Disk Central Brush	1
▲	3	VTVT01705	() Screw 4x45 Uni 9709	2
▽	4	PMVR00283	() Brush, Side, Ppl	1
▽	4	PMVR07065	() Brush, Side, Mix Ppl/Steel, Abr	1
▲	5	LAFN45010	() Flange L.1400 Lt	1
▲	6	VTVT62920	() Screw Te F/Rond. M 6x 16 Zb	3

▽ ASSEMBLY

▲ INCLUDED IN ASSEMBLY

FRAME GROUP



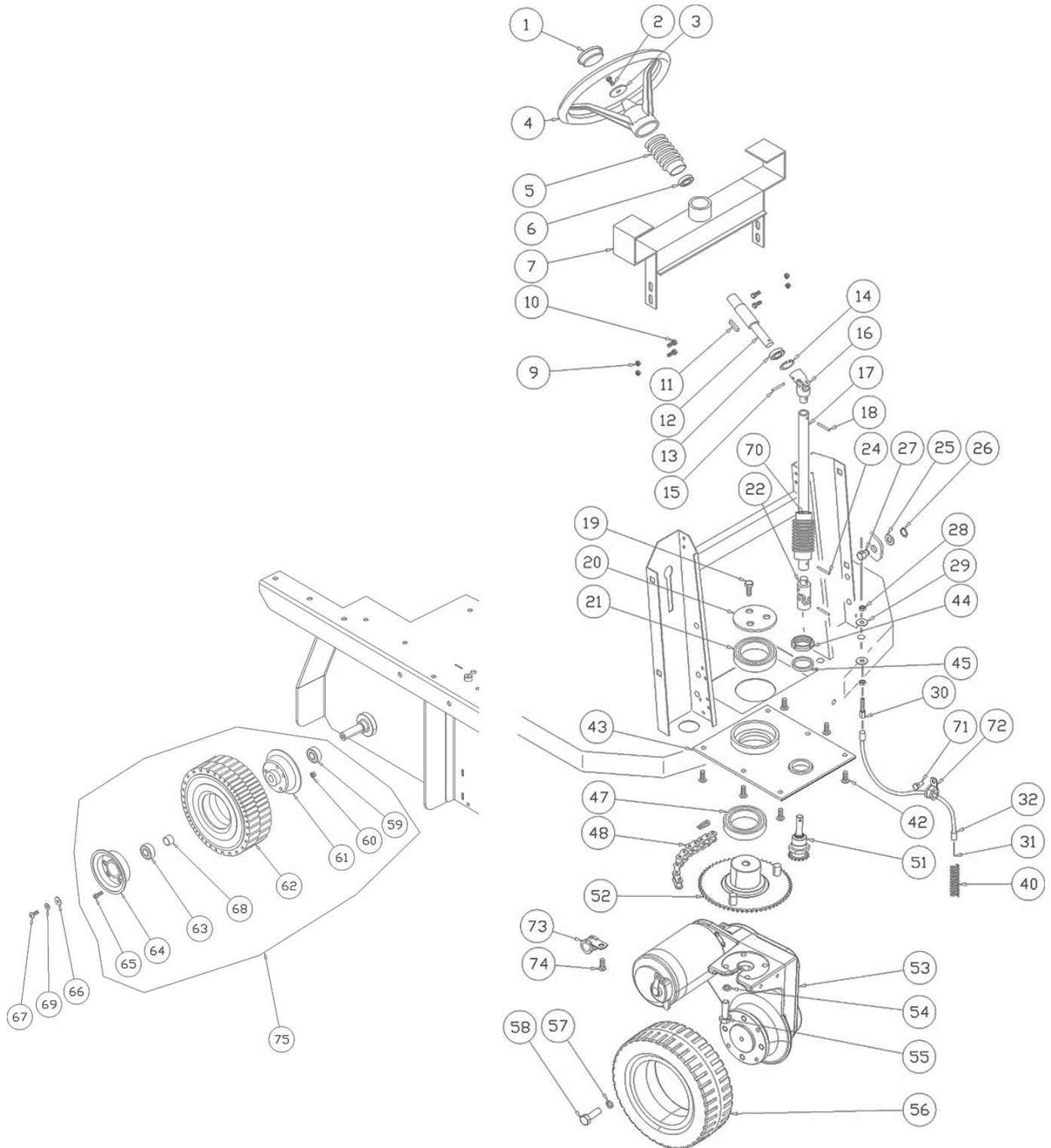
FRAME GROUP

Ref.	Part No.	Mfr. Date	Description	Qty.
▽	1	KTRI00103	() Lamp Flash 24v Orange	1
▲	2	KTRI00103	() Lamp Flash 24v Orange	1
▲	3	VTRS15958	() Washer Uni 6592 5x15x1,5 Zb	2
▲	4	VTDD08171	() Nut M 5 Tef	2
▲	5	897476	() Screw, M5x16, Tbce, Iso7380, Zb	2
▲	6	MELF33431	() Lamp 24 V 21 W	1
	7	MPVR13417	() Cover	1
▽	8	SESD45982	() Sensor, Seat	1
	9	06955	() Screw, Hex, M8 X 1.25 X 35, 8.8	4
▲	10	N/A	() Rail, Slide, Seat	2
	11	VTDD00491	() Nut M 6 Tef	4
	12	VTRS00503	() Washer D. 6 Uni 6592	4
	13	CEVR85332	() Hinge Meb F D.6 Tk	2
	14	33951	() Screw, Soc, M6 X 1.00 X 20, 12.9	4
	15	VTVR00044	() Wing Nut D.30 M6x20	1
	16	VTRS63242	() Washer D. 6 X24 Zc	1
	17	LAFN85308	() Cover, Filter	1
	18	LAFN08190	() Sheet Metal Pa.	1
	19	LAFN08178	() Support	1
	20	LAFN36061	() Frame	1
	21	LAFN08150	() Panel	1
	22	MPVR12409	() Cover, Body, Right, Grey	1
	23	MPVR06096	() Crankcase	1
	24	MPVR00738	() Plane Millerig.1000e W Biades	1
	25	MPVR12411	() Cover, Front, Grey	1
	26	MPVR13418	() Crankcase, Front	1
	27	MPVR06095	() Crankcase	1
	28	MPVR12408	() Cover, Battery, Body, Left Grey	1
	29	LAFN08210	() Bracket	2
	30	VTVT28307	() Screw	2
	31	LAFN47011	() Bushing Bu15x10x47 X Ruota1250056	2
	32	RTRT00013	() Wheel Rubber D.125	2
	33	VTRS00505	() Washer D.10 Uni 6592	2
	34	08714	() Nut, Hex, Lock, M10 X 1.5, NI, Ss	2
	35	39308	() Screw, Soc, M8 X 1.25 X 25, 12.9	2
	36	MPVR00411	() Handle Trg	1
	37	VTRS00513	() Washer Uni 6593 8x32x2,5 Zb	2
	38	897598	() Nut, M8, Flat	2
	39	06955	() Screw, Hex, M8 X 1.25 X 35, 8.8	4
	40	VTRS00504	() Washer D. 8 Zc. Uni 6592	2
	41	897619	() Washer, D.8x24, Zc	4
	42	897598	() Nut, M8, Flat	4
	43	LAFN07909	() Bracket	2
	44	VTVT62920	() Screw Te F/Rond. M 6x 16 Zb	3
	45	VTRS00503	() Washer D. 6 Uni 6592	2
	46	VTDD00491	() Nut M 6 Tef	2
	47	VTVT62920	() Screw Te F/Rond. M 6x 16 Zb	4
	48	VTDD00491	() Nut M 6 Tef	4
	49	VTVT62920	() Screw Te F/Rond. M 6x 16 Zb	4
	50	VTVT75726	() Screw Tbei M 6x 16 Iso 7380 Zb	4

FRAME GROUP - Cont'd

Ref.	Part No.	Mfr. Date	Description	Qty.
51	VTRS04026	() Washer D. 6x18x2.38	4
52	LAFN08211	() Spacer	4
53	VTVT00900	() Grub Screw M 6- 30 Con Es	2
54	VTVT75726	() Screw Tbei M 6x 16 Iso 7380 Zb	2
55	VTRS04026	() Washer D. 6x18x2.38	2
56	LAFN08211	() Spacer	2
57	VTVT00527	() Screw Te Fr 6x10 Zb Zig.	2
58	09062	() Screw, Flt, Soc, M6 X 1.00 X 16, 10.9	2
59	RTRT00022	() Handwheel D.30 M6x15	2
60	LAFN08200	() Bumper, Left	1
61	LAFN08201	() Bumper, Right	1
62	VTRS00504	() Washer D. 8 Zc. Uni 6592	2
63	16931	() Screw, Hex, M8 X 1.25 X 20, 8.8	2
64	897598	() Nut, M8, Flat	2
65	VTRS00504	() Washer D. 8 Zc. Uni 6592	2
66	16931	() Screw, Hex, M8 X 1.25 X 20, 8.8	1
67	897598	() Nut, M8, Flat	2
68	VTRS00504	() Washer D. 8 Zc. Uni 6592	2
69	VTRS00504	() Washer D. 8 Zc. Uni 6592	2
70	16931	() Screw, Hex, M8 X 1.25 X 20, 8.8	2
71	VTVT75721	() Screw Ttde Uni 5732 6x16 Zb	7
72	MPVR06431	() Flap	1
73	LAFN86529	() Clamp, Flap	1
74	VTDD00491	() Nut M 6 Tef	7
75	VTRS04026	() Washer D. 6x18x2.38	2
76	39308	() Screw, Soc, M8 X 1.25 X 25, 12.9	4
77	MPVR00411	() Handle Trg	2
78	VTRS00513	() Washer Uni 6593 8x32x2,5 Zb	4
79	897598	() Nut, M8, Flat	4
80	16931	() Screw, Hex, M8 X 1.25 X 20, 8.8	1
81	06955	() Screw, Hex, M8 X 1.25 X 35, 8.8	1
82	LAFN04042	() Spacer D8.5- 15	1
83	LAFN11499	() Bracket, Hood	2
84	897598	() Nut, M8, Flat	2
85	LAFN11498	() Bracket, Hood	1
86	KTRI06561	() Kit, Label, Warning	1

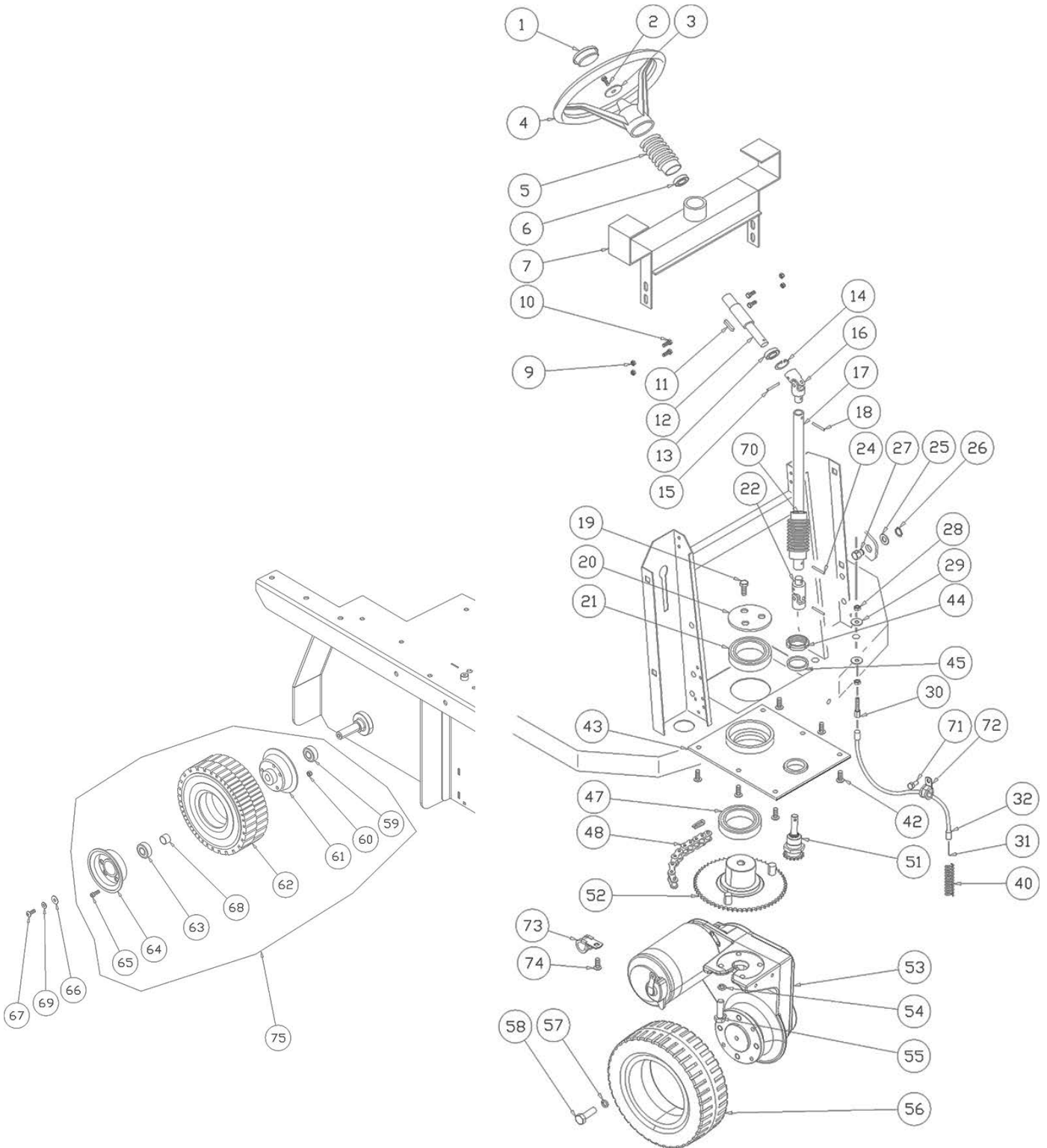
DRIVE WHEEL AND REAR WHEEL GROUP



DRIVE WHEEL AND REAR WHEEL GROUP

Ref.	Part No.	Mfr. Date	Description	Qty.
1	MPVR47026	()	Cap, Black L.14	1
2	VTVT47025	()	Screw Tbce Iso 7380 10x16 Zb	1
3	897401	()	Washer, M10x40x2,5, Uni6593, Zb	1
4	897400	()	Wheel, Steering 320mm	1
5	MPVR47066	()	Lifting Arm Protection	1
6	CUVR00005	()	Bearing 6202 2rs	1
7	LAFN09337	()	Support	1
9	VTDD07887	()	Nut M 6 Serpress	4
10	VTVT62920	()	Screw Te F/Rond. M 6x 16 Zb	4
11	VTVR13164	()	Key Uni 6604 5x5x30	1
12	ALTR00011	()	Shaft, Steering Wheel	1
13	CUVR00005	()	Bearing 6202 2rs	1
14	VTAE17002	()	Circlip D. 35 Uni 7437	1
15	VTVR00327	()	Plug	1
16	PMTR00021	()	Shaft Steering Wheel 1000 T	1
17	PMTR00021	()	Shaft Steering Wheel 1000 T	1
18	VTVR00327	()	Plug	1
19	16931	()	Screw, Hex, M8 X 1.25 X 20, 8.8	3
20	LAFN47004	()	Flange	1
21	897388	()	Bearing 51112	1
22	PMTR00021	()	Shaft Steering Wheel 1000 T	1
24	VTVR00327	()	Plug	1
25	VTRS00506	()	Washer D.12 Uni 6592	1
26	VTAE14016	()	Seeger External Din 471 D.12	1
27	LAFN75973	()	Pin Fixing Flap Stop Cable	1
28	41359	()	Nut, Hex, Std, M6 X 1.00, 8	2
29	VTRS04026	()	Washer D. 6x18x2.38	2
30	CMCV02396	()	Register Ch. 8x 6max30	1
31	CMCV00468	()	Cable 1250- 1280 E- Dp	1
32	CMCV00467	()	Sheath 1250- 1280 E- Dp	1
40	MLML00033	()	Spring Lift Flap Silver Zb	1
42	39283	()	Screw, Hex, M10x1.50x25, 8.8	6
43	LAFN85521	()	Flange, Wheel Front	1
44	VTVR75747	()	Ring Nut Autoblok M 35 X 1,5 Guk	1
45	LAFN75913	()	Spacer Eccentric Bush	1
46	MPVR75734	()	Thickness 15x22x0,5	1
47	897388	()	Bearing 51112	1
48	MTCR85008	()	Chain Sweep	1
51	KTRI46514	()	Bushing, Complete	1
52	LAFN08185	()	Brake	1
53	MOCC00434	()	Motorwheel W/ Brake	1
54	VTRS00107	()	Washer M10 Grover	4
55	39283	()	Screw, Hex, M10x1.50x25, 8.8	4
56	RTRT00548	()	Wheel Front 1250- 1280 E- Dp	1
56	KTRI02348	()	Kit No- Mark Wheels (option)	1
57	897544	()	Washer, D.12, Grover, Uni1751, Inox	4

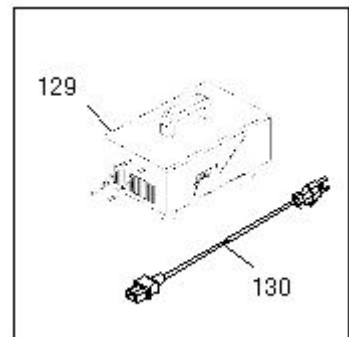
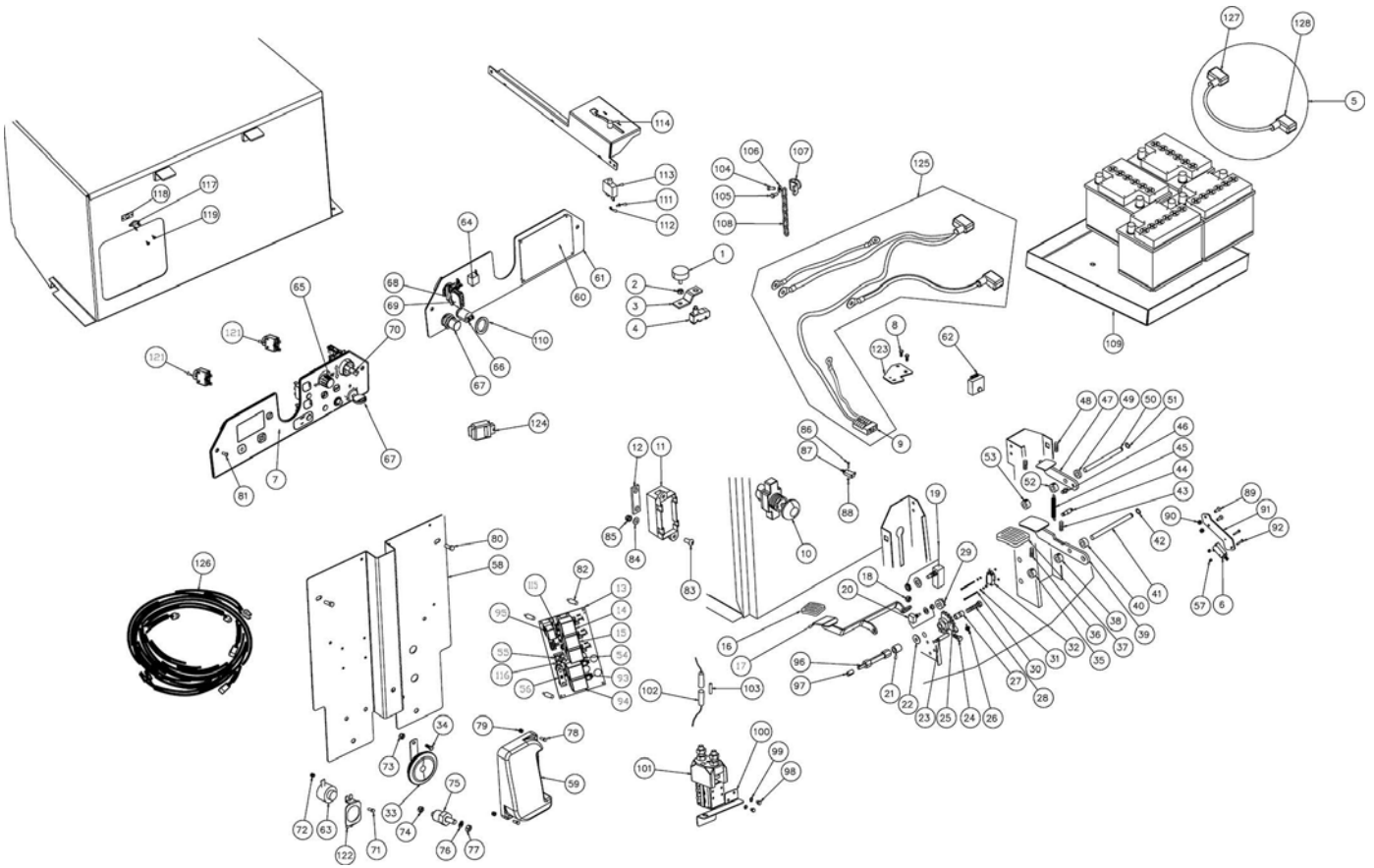
DRIVE WHEEL AND REAR WHEEL GROUP - Cont'd



DRIVE WHEEL AND REAR WHEEL GROUP - Cont'd

Ref.	Part No.	Mfr. Date	Description	Qty.
58	VTVT00025	()	Screw Te Uni	4
59	CUVR00104	()	Bearing Skf 6003- 2rsh	2
60	897598	()	Nut, M8, Flat	10
61	LAFN85380	()	Hub Sw 1000e/S 22501005	2
62	KTRI75744	()	Tire, Rear Wheel	2
63	CUVR00104	()	Bearing Skf 6003- 2rsh	2
64	LAFN85290	()	Wheel Hub 124x57,5	2
65	39308	()	Screw, Soc, M8 X 1.25 X 25, 12.9	10
66	897619	()	Washer, D.8x24, Zc	2
67	897676	()	Screw, Te, M8x16, Uni5739	2
68	LAFN00275	()	Spacer Internal Wheel Post.Tk1300	2
69	VTRS01080	()	Washer D. 8 Grw	2
70	MPVR47066	()	Lifting Arm Protection	1
71	VTVT62920	()	Screw Te F/Rond. M 6x 16 Zb	1
72	FSVR00005	()	Clamp, Ecohole, Mm8 D.1	1
73	897364	()	Clamp, Stl, 16d, Insulated	1
74	VTVT62920	()	Screw Te F/Rond. M 6x 16 Zb	1
75	PMVR02380	()	Wheel, Rear, Complete	1
75	KTRI02348	()	Kit No- Mark Wheels (option)	1

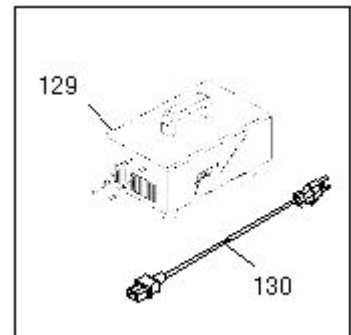
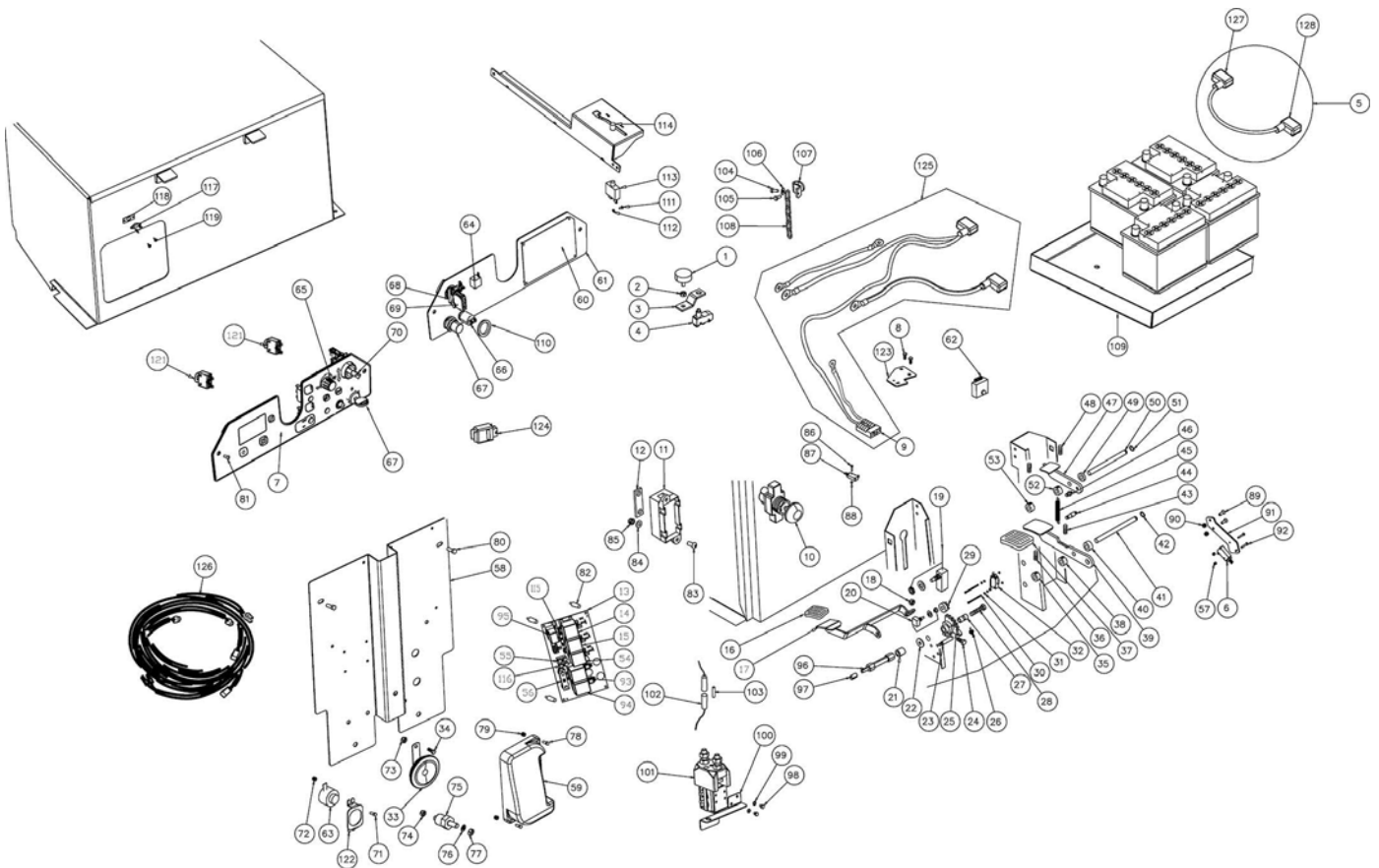
ELECTRICAL COMPONENTS GROUP



ELECTRICAL COMPONENTS GROUP

Ref.	Part No.	Mfr. Date	Description	Qty.
1	ABG00026	() Vibration Damp	2
2	VTDD10776	() Nut, Hex, Std, M8 X 1, Uni5588	4
3	LAFN07862	() Bracket	1
4	MECI75801	() Microswitch	1
5	897205	() Wiring Battery Bridge W/Terminal	3
6	MECI00114	() Microswitch	1
7	ETET16198	() Label	1
8	VTVT67362	() Screw, Hex, M4 X 0.70 X 25, 8.8	2
9	MEVR02595	() Connector, Anderson, 50a, Red	1
10	MECI00571	() Button Emergency Bl.Sb 1250	1
11	MEVR00146	() Fuse Box	1
12	MEVR00145	() Fuse 100a	1
13	MECE00592	() Board Power Service 1250- 1280	1
14	MECE00201	() Relay 24v 10,20a	1
15	MECE00201	() Relay 24v 10,20a	1
16	MPVR85654	() Pedal Cover Small V1020	1
17	LAFN08165	() Pedal	1
18	897598	() Nut, M8, Flat	1
19	MECI75801	() Microswitch	2
20	KTRI02289	() Kit, Potentiometer, Pedal	1
21	LAFN04042	() Spacer D8.5- 15	1
22	VTRS00504	() Washer D. 8 Zc. Uni 6592	1
23	LAFN75969	() Pin Strap Support D.9 H.33	1
24	VTVT01688	() Screw Tbei M 8x 30 Iso 7380 lx	1
25	MTIG85317	() Gear Sw 1000	1
26	MLML85997	() Sprng D.2	1
27	LAFN47084	() Bushing, Accelerator	1
28	VTVT00452	() Screw, Hex, M8 X 50, Uni5739	1
29	MTIG85318	() Gear Sw 1000	1
30	VTVT00021	() Screw Te Uni 5739 3x25 Zb	2
31	VTDD00001	() Nut, M3, Uni5588, Zb	4
32	MECI30642	() Micro- Switch 11a 0.33hp	1
33	MEVR02112	() Horn 24v	1
34	VTVT00527	() Screw Te Fr 6x10 Zb Zig.	1
35	LAFN47030	() Bushing Fiss. Perforated Break Pedal	1
36	VTVT75731	() Screw Uni 5923 6 X5	1
37	MPVR45096	() Pedal Cover Large V1021	1
38	LAFN47030	() Bushing Fiss. Perforated Break Pedal	1
39	LAFN09344	() Pedal	1
40	LAFN47019	() Bushing Brake Pedal Fixing	1
41	LAFN47036	() Pin Fixed Brake Pedal	1
42	VTAE87276	() Seeger Ext. D10 Din471	1
43	VTVT75731	() Screw Uni 5923 6 X5	1
44	LAFN47035	() Pin Ch.10 H.26 Spring Attachment	1
45	MLML75960	() Spring D. 8 X1 X32	1
46	LAFN47029	() Pin Ch.10 H.16 Spring Connection	1
47	LAFN47032	() Pedal, Brake, Block, Zinc	1
48	VTVT75731	() Screw Uni 5923 6 X5	1
49	LAFN47033	() Bushing Pedal Pin Fixing	1
50	LAFN47031	() Pin, Brake Pedal, Block	1

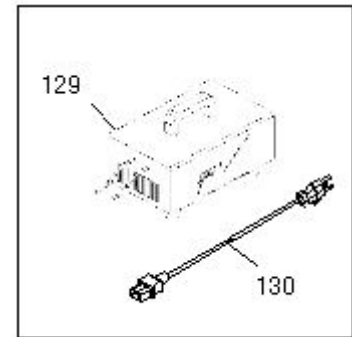
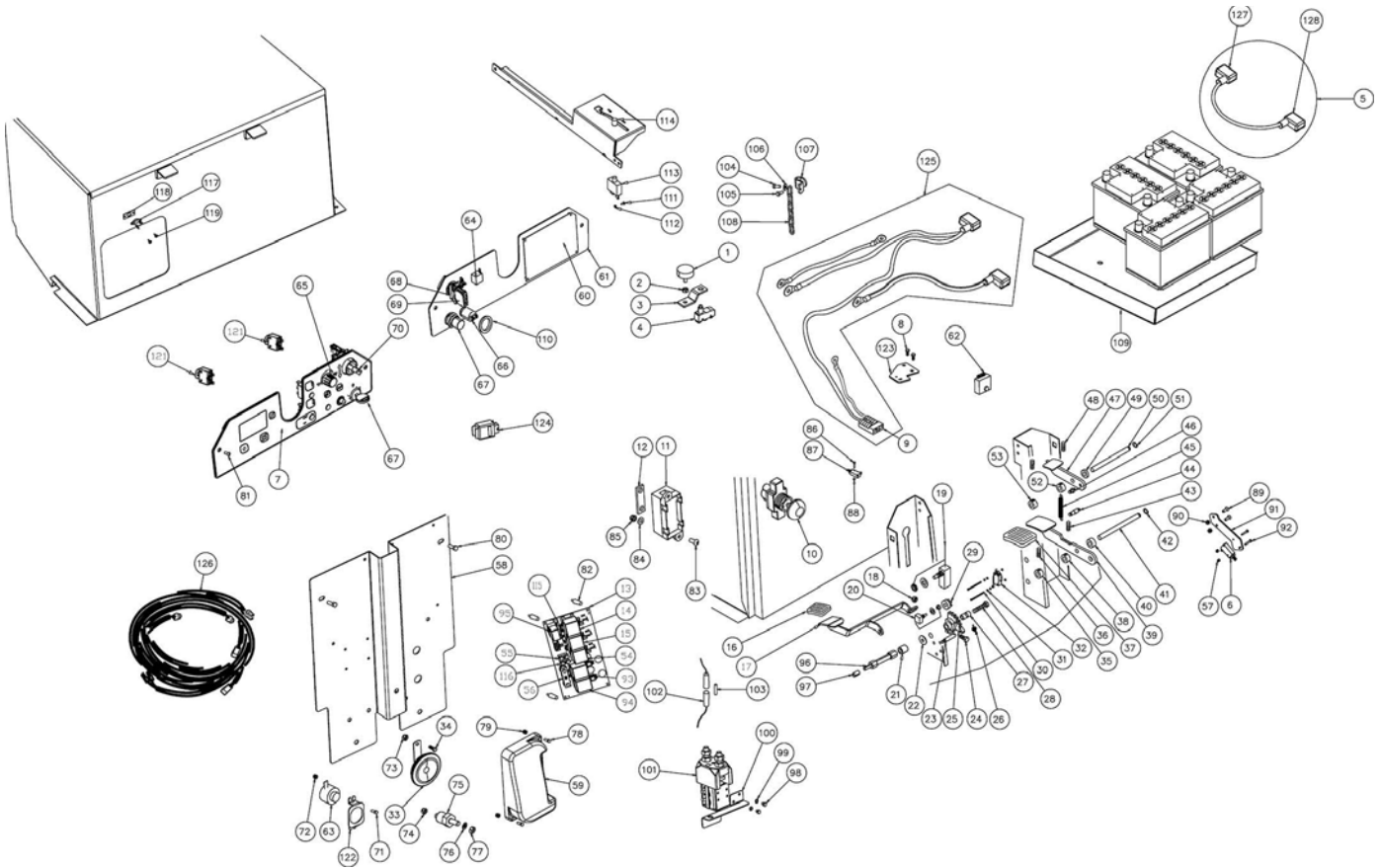
ELECTRICAL COMPONENTS GROUP - Cont'd



ELECTRICAL COMPONENTS GROUP - Cont'd

Ref.	Part No.	Mfr. Date	Description	Qty.	
51	VTAE87276	()	Seeger Ext. D10 Din471	1	
52	LAFN47030	()	Bushing Fiss. Perforated Break Pedal	1	
53	LAFN47030	()	Bushing Fiss. Perforated Break Pedal	1	
54	MECE00201	()	Relay 24v 10,20a	1	
55	897510	()	Fuse 30a	1	
56	9018332	()	Fuse, 50a	1	
57	897189	()	Nut, M3, Inox	2	
58	LAFN11827	()	Plate, Sheet Metal	1	
59	MECE00925	()	Itlsea Brd Swepr1250- 1280,S680,S780,S880	1	
60	MECE00591	()	Board Logic 1250- 1280	1	
61	LAFN08204	()	Support Metal Dashboard	1	
62	MEVR02017	()	Alarm	1	
63	MECE00182	()	Alarm	1	
64	KTRI05576	()	Kit Potentiometer Speed Contr	1	
65	KTRI01935	()	Kit	1	
66	MEVR85330	()	Button	1	
▽	67	MEVR00093	()	Switch, Key	1
▲	67	1017696	()	Key Set - 2pc,Replmt[F/Keyswitch 1011402]	1
68	MECI00665	()	Support	1	
69	MECI00664	()	Contact 1nc	1	
70	MECI00667	()	Selector	1	
71	VTVT00311	()	Screw, Te, M4x12	1	
72	VTDD04368	()	Nut, Hex, Std, M4 X 0.70, 8	1	
73	VTDD00491	()	Nut M 6 Tef	1	
74	897598	()	Nut, M8, Flat	2	
75	MEVR01116	()	Support Fuse 120 A	2	
76	VTRS01080	()	Washer D. 8 Grw	2	
77	VTDD00483	()	Nut, Hex, Std, M8 X 1.25	2	
78	604209	()	Screw, M4x16	4	
79	VTDD04369	()	Nut M 4 Tef Uni 7473	2	
80	VTVT00527	()	Screw Te Fr 6x10 Zb Zig.	3	
81	VTVT00659	()	Screw Tc+ M. 4- 15	8	
82	MEVR01708	()	Column	4	
83	VTVT75726	()	Screw Tbei M 6x 16 Iso 7380 Zb	2	
84	VTRS00503	()	Washer D. 6 Uni 6592	2	
85	VTDD00491	()	Nut M 6 Tef	2	
86	VTVT01170	()	Screw Tc 2x16	2	
87	MECI00588	()	Microswitch	1	
88	VTDD00213	()	Nut M2	2	
89	897502	()	Screw, M4x16, Tspei, Uni5933	2	
90	VTDD04369	()	Nut M 4 Tef Uni 7473	2	
91	LAFN09383	()	Bracket	1	
92	VTVT01350	()	Screw, M3x20	2	
93	MERL00016	()	Switch Relay 24v	1	
94	MERL00016	()	Switch Relay 24v	1	
95	MECE00456	()	Relay, Brush Head	1	
96	LAFN08166	()	Pin	1	
97	LAFN03742	()	Spacer Silencer	1	
98	VTVT01669	()	Screw, M4x6	2	
99	VTRS00501	()	Washer, D.4, 0.232, Uni6592	2	

ELECTRICAL COMPONENTS GROUP - Cont'd



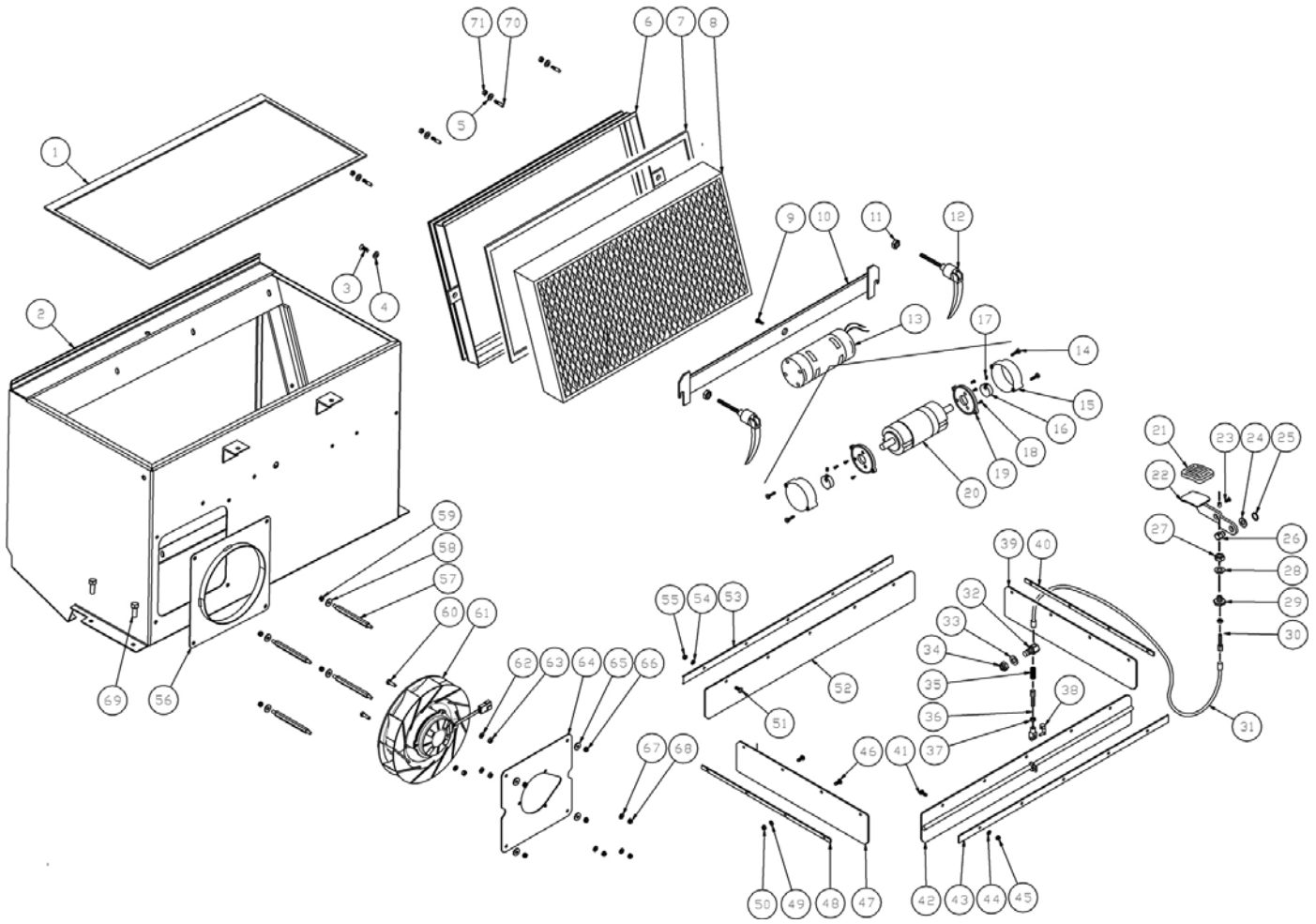
ELECTRICAL COMPONENTS GROUP - Cont'd

Ref.	Part No.	Mfr. Date	Description	Qty.	
100	LAFN09488	()) Plate	1	
101	MECI00532	()) Contactor 24v- 100a	1	
102	MEVR00080	()) Fuse- Holder Pv610 10a	1	
103	MEVR00072	()) Fuse 2.5a F6.3x32- 100/110v	1	
104	897565	()) Screw, Te, M5x10, Uni5739	1	
105	VTVT00005	()) Screw Te M 5x 12 F/Rond.Zigr	1	
106	VTRS15958	()) Washer Uni 6592 5x15x1,5 Zb	1	
107	LAFN07380	()) Bracket	1	
108	MTCR00029	()) Small Chain L.16mm	0,17	
109	MPVR00351	()) Tray, Battery, Std	1	
110	VTRS00023	()) Washer Threaded Int.Uni 6798 D.18	1	
111	897203	()) Screw	2	
112	9018496	()) Nut, Strap, Sqge	2	
113	MEVR02899	()) Fuse Circuit Breaker 35a	1	
114	MEVR02900	()) Cap Circuit Breaker	1	
115	MEVR01133	()) Fuse 15a 32v	1	
116	897510	()) Fuse 30a	1	
117	METK00017	()) Thermal Sensor	1	
118	GUG000675	()) Gasket	1	
119	VTVT00040	()) Screw	2	
121	METT00044	()) Fuse Circuit Breaker 10a	2	
123	LAFN11818	()) Plate, Sheet Metal	1	
124	MECE00915	()) Interface Board For Traction Italsea	1	
125	MECB02374	()) Cable, Battery	1	
126	MECB02315	()) Harness, Main [S780/S880]	1	
127	MEVR01424	()) Boot,Terminal,Batt [Red,Emea]	1	
128	MEVR01425	()) Boot,Terminal,Batt [Black,Emea]	1	
▽	129	BACA00273	()) Charger, Battery, 24vdc, 25a (EMEA)	1
▲	130	MECB00922	()) Cord, Power, Charger, 230v (EMEA)	1
▲	130	MECB02036	()) Cord, Power, Chrgr (UK)	1
129	9015391	()) Charger Assy, Off- Board, Delta- Q (ANZ)	1	
130	1026325	()) Cord, Power, 1.0mm2/3 Blk[2.5meter, Aus] (Delta- Q)	1	
130	MECB02065	()) Cord, Power Chrgr Anz (SPE battery Charger)	1	

▽ ASSEMBLY

▲ INCLUDED IN ASSEMBLY

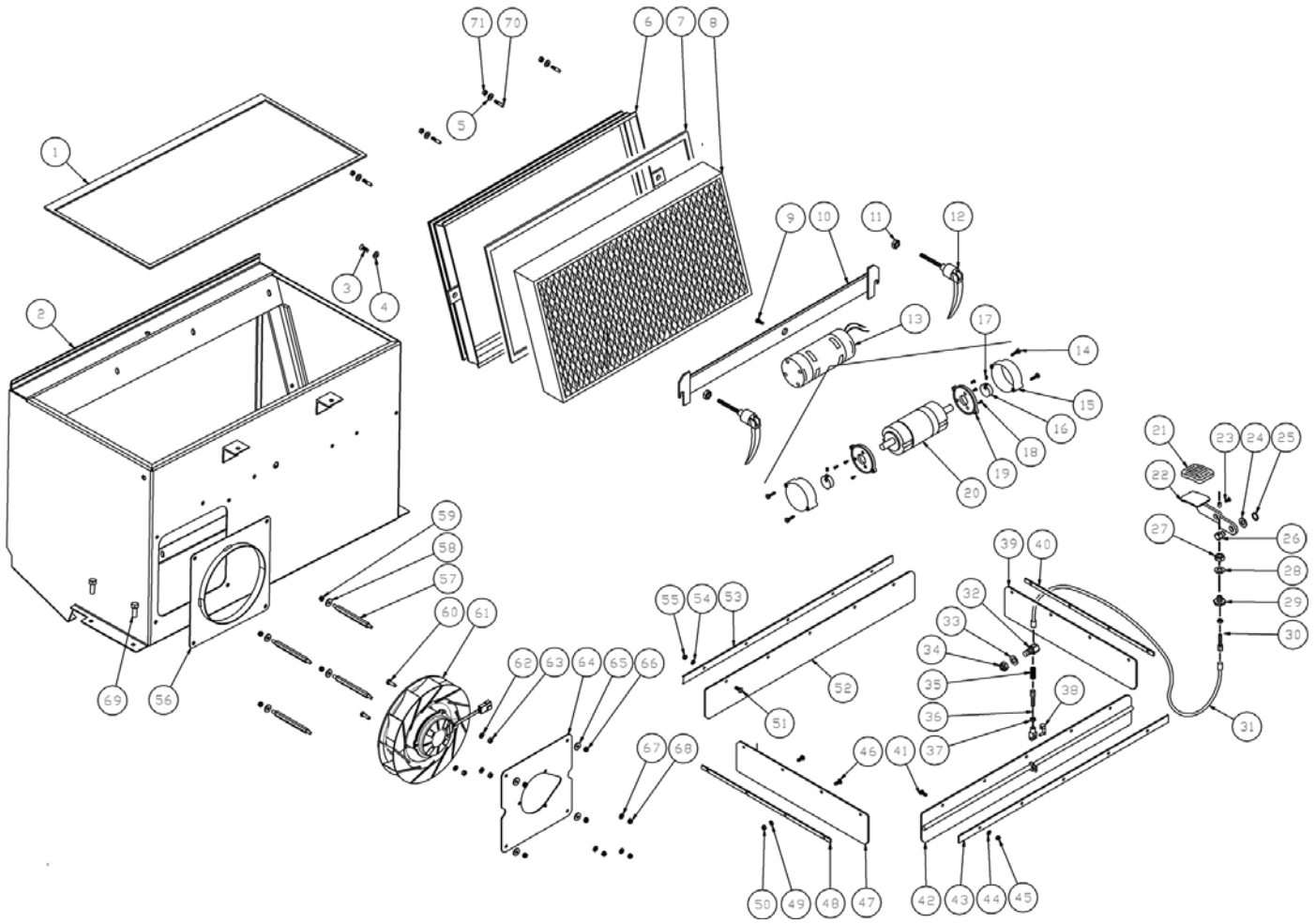
FILTER AND DUST FLAP GROUP



FILTER AND DUST FLAP GROUP

Ref.	Part No.	Mfr. Date	Description	Qty.
1	MPVR86607	() Kit, Gasket, Filter Mousse	1
2	LAFN36059	() Container Filter Panel	1
3	VTVT75726	() Screw Tbei M 6x 16 Iso 7380 Zb	4
4	VTRS04026	() Washer D. 6x18x2.38	4
5	VTRS04026	() Washer D. 6x18x2.38	6
6	LAFN01014	() Frame, Port Filter	1
7	MPVR86606	() Kit, Gasket, Filter Mousse	1
8	FTDP76070	() Filter, Panel, Polyester	1
8	FTDP76067	() Filter, Panel Paper	1
9	VTVT47143	() Screw Tsce Uni 5933 10x16 Zb	1
10	LAFN00720	() Support, Motor Filter	1
11	VTDD00057	() Nut Uni 5589 M8 Bass	2
12	PMVR00215	() Handle Block Filtr.1000e- S	2
13	MOCC45112	() Motor Filter Shaker 24v	1
14	VTVT47138	() Screw Autof.Tsp Uni 6955 3,9x32	4
15	LAFN47139	() Cover, Filter	2
16	LAFN47140	() Bushing Counterweight For Shake Filter	2
17	VTVT75731	() Screw Uni 5923 6 X5	2
18	VTVT00474	() Screw Tsce Uni 5933 4x12 Zb	6
19	MFVR47141	() Flange, Filter, Shaker Motor	2
20	MOCC00004	() Motor D.63 24v G3800 W35	1
21	MPVR45096	() Pedal Cover Large V1021	1
22	LAFN76008	() Pedal, Flap Lift, Zinc	1
23	VTVR00028	() Clamp, Drawer	1
24	VTRS00506	() Washer D.12 Uni 6592	1
25	VTAE14016	() Seeger External Din 471 D.12	1
26	LAFN75973	() Pin Fixing Flap Stop Cable	1
27	VTDD01682	() Nut M12 Zc Uni 5588	1
28	VTRS00505	() Washer D.10 Uni 6592	1
29	LAFN75975	() Pin Center Brake Pedal	1
30	CMCV75723	() Register D.7	1
31	CMCV75905	() Sheath X Cable	1
32	LAFN75976	() Pin Roller Lift Flap	1
33	VTRS00506	() Washer D.12 Uni 6592	1
34	VTDD00012	() Nut Autoblock Din 985 M12 Zb	1
35	MLML75962	() Spring	1
36	CMCV45110	() Cord D. 2.5 Flap L.14	1
37	41359	() Nut, Hex, Std, M6 X 1.00, 8	1
38	CMCV75717	() Clip Uni 1676 M6	1
39	MPVR75936	() Flap Side	1
40	LAFN00305	() Clamp, Flap	1
41	VTVT75721	() Screw Ttde Uni 5732 6x16 Zb	8
42	MPVR75935	() Flap, Front	1
43	LAFN86529	() Clamp, Flap	1
44	VTRS00503	() Washer D. 6 Uni 6592	8
45	VTDD00491	() Nut M 6 Tef	8
46	VTVT75721	() Screw Ttde Uni 5732 6x16 Zb	4
47	MPVR75936	() Flap Side	1
48	LAFN00305	() Clamp, Flap	1

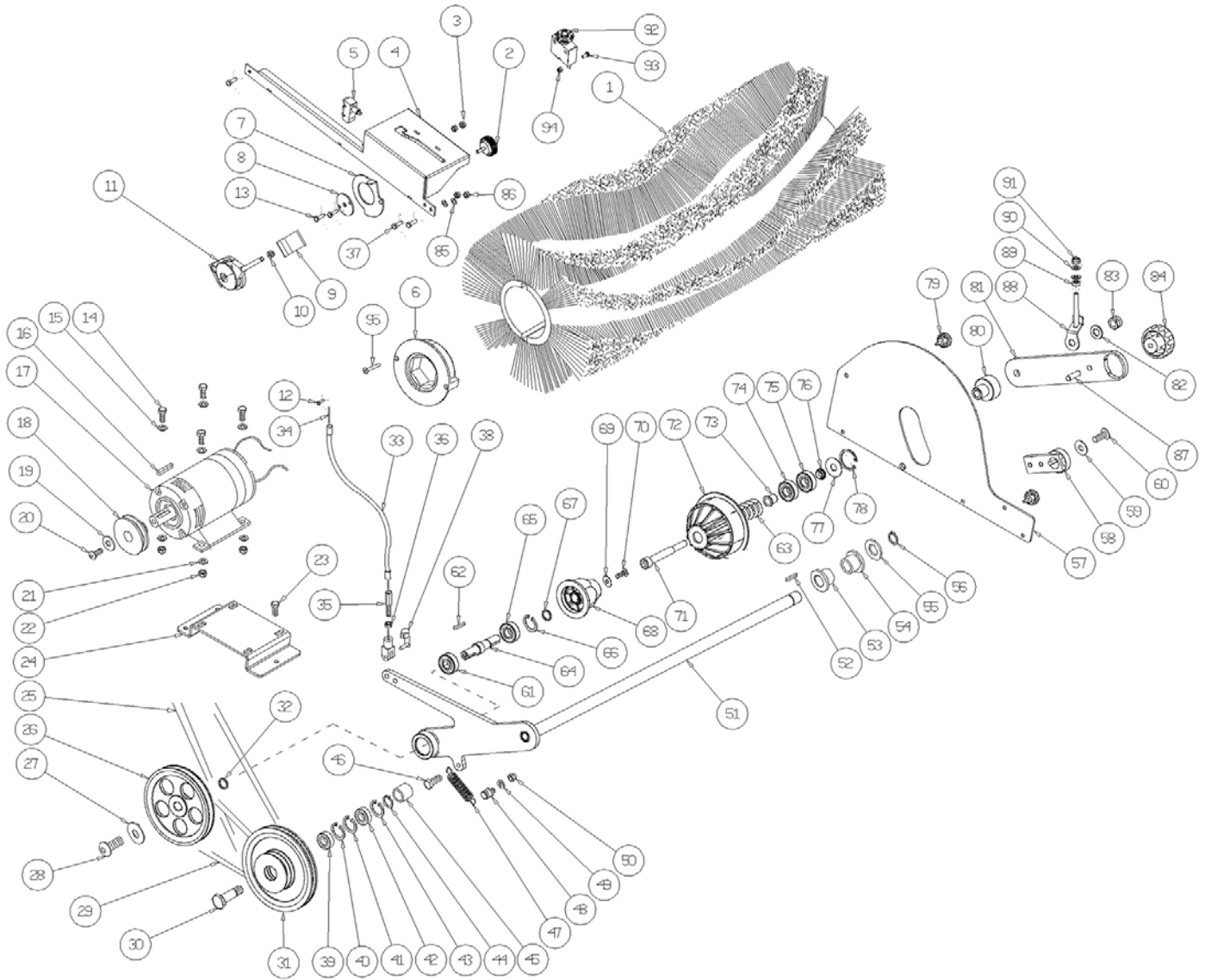
FILTER AND DUST FLAP GROUP - Cont'd



FILTER AND DUST FLAP GROUP - Cont'd

Ref.	Part No.	Mfr. Date	Description	Qty.
49	VTRS00503	()	Washer D. 6 Uni 6592	4
50	VTDD00491	()	Nut M 6 Tef	4
51	VTVT75721	()	Screw Ttde Uni 5732 6x16 Zb	5
52	MPVR75934	()	Flap, Rear	1
53	LAFN86529	()	Clamp, Flap	1
54	VTRS00503	()	Washer D. 6 Uni 6592	5
55	VTDD00491	()	Nut M 6 Tef	5
56	LAFN08170	()	Adapter	1
57	LAFN06757	()	Spacer 1450	4
58	VTRS04026	()	Washer D. 6x18x2.38	4
59	VTDD00491	()	Nut M 6 Tef	4
60	06943	()	Screw, Hex, M6 X 1.00 X 20, 8.8	3
61	VEVR00070	()	Motor, Suction	1
62	VTRS00503	()	Washer D. 6 Uni 6592	3
63	41359	()	Nut, Hex, Std, M6 X 1.00, 8	3
64	LAFN06854	()	Sheet Metal Pa. 1450	1
65	VTRS04026	()	Washer D. 6x18x2.38	4
66	VTDD00491	()	Nut M 6 Tef	4
67	VTRS00503	()	Washer D. 6 Uni 6592	3
68	41359	()	Nut, Hex, Std, M6 X 1.00, 8	3
69	VTVT62920	()	Screw Te F/Rond. M 6x 16 Zb	4
70	VTVT01716	()	Bolt, Stud	6
71	VTDD00491	()	Nut M 6 Tef	6

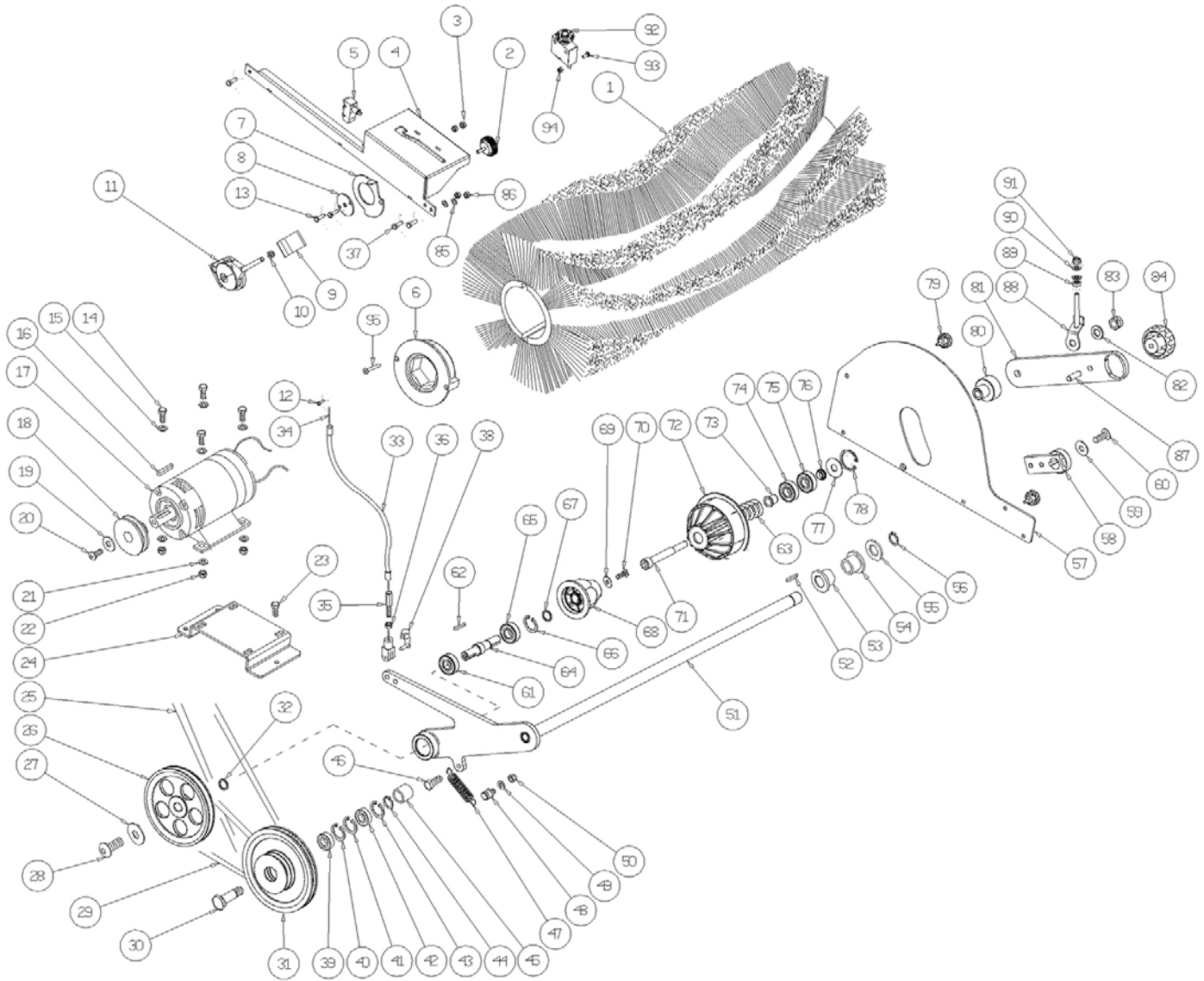
MAIN BRUSH GROUP



MAIN BRUSH GROUP

Ref.	Part No.	Mfr. Date	Description	Qty.
1	SPPV75791	()	Brush, Swp, Main Ppl, Medium	1
2	VTVT00125	()	Handwheel D.40 M6x15	1
3	VTDD00491	()	Nut M 6 Tef	2
4	LAFN08182	()	Lever	1
5	MECI75801	()	Microswitch	1
6	LAFN45099	()	Drive Disk Central Brush	1
7	LAFN08186	()	Sheet Metal Pa.	1
8	LAFN08176	()	Thickness	1
9	CMCV33356	()	Lever, Manuever	1
10	39311	()	Nut, Hex, Std, M8 X 1.25	1
11	CMCV33356	()	Lever, Manuever	1
12	897565	()	Screw, Te, M5x10, Uni5739	1
13	06943	()	Screw, Hex, M6 X 1.00 X 20, 8.8	2
14	76570	()	Screw, Hex, M8 X 1.25 X 30, 8.8	4
15	VTRS00504	()	Washer D. 8 Zc. Uni 6592	4
16	VTVR13165	()	Key Uni 6604 5x5x20	1
17	MOCC87164	()	Motor Mp80 5/2 24v 3	1
17	9017784	()	Vr, Brush, Motor, Transaxle	1
18	MTPL00215	()	Pulley	1
19	VTRS63242	()	Washer D. 6 X24 Zc	1
20	06942	()	Screw, Hex, M6 X 1.00 X 16, 8.8	1
21	VTRS00504	()	Washer D. 8 Zc. Uni 6592	4
22	897598	()	Nut, M8, Flat	4
23	VTVT62920	()	Screw Te F/Rond. M 6x 16 Zb	3
24	LAFN08171	()	Plate	1
25	MTCG00139	()	Belt Xpz Esec.6t 6b Lp825	1
26	MTPL75998	()	Pulley Central Brush Activation	1
27	VTRS00513	()	Washer Uni 6593 8x32x2,5 Zb	1
28	17284	()	Screw, Btn, M8 X 1.25 X 16, Ss	1
29	MTCG00138	()	Belt Xpz Esec.6t 6b Lp758	1
30	LAFN00465	()	Pin Push Return Pulley	1
31	MTPL75999	()	Pulley Belt Transmission Cent.Br	1
32	LAFN06823	()	Spacer, Bearings	1
33	CMCV75904	()	Brake Sheath	1
34	CMCV00451	()	Cable Steel Main Brush Lifting	1
35	LAFN76659	()	Pin Lift Brush	1
36	VTDD86871	()	Nut Uni 5589 M7 Zb	1
37	VTVT62920	()	Screw Te F/Rond. M 6x 16 Zb	3
38	CMCV75718	()	Clip Uni 1676 M8	1
39	CUVR00005	()	Bearing 6202 2rs	1
40	VTAE17002	()	Circlip D. 35 Uni 7437	1
41	VTAE17002	()	Circlip D. 35 Uni 7437	1
42	CUVR00005	()	Bearing 6202 2rs	1
43	VTAE17002	()	Circlip D. 35 Uni 7437	1
44	VTAE17003	()	Circlip Esterno Din 471 D.15	1
45	LAFN00091	()	Bushing For Pull- Up Pulley	1
46	VTVT63129	()	Screw Te F/Rond. M 8x16 Zb	1
47	MLML87162	()	Spring D.17x2x150	1
48	LAFN00464	()	Pin Spring Return Central Brush	1

MAIN BRUSH GROUP - Cont'd



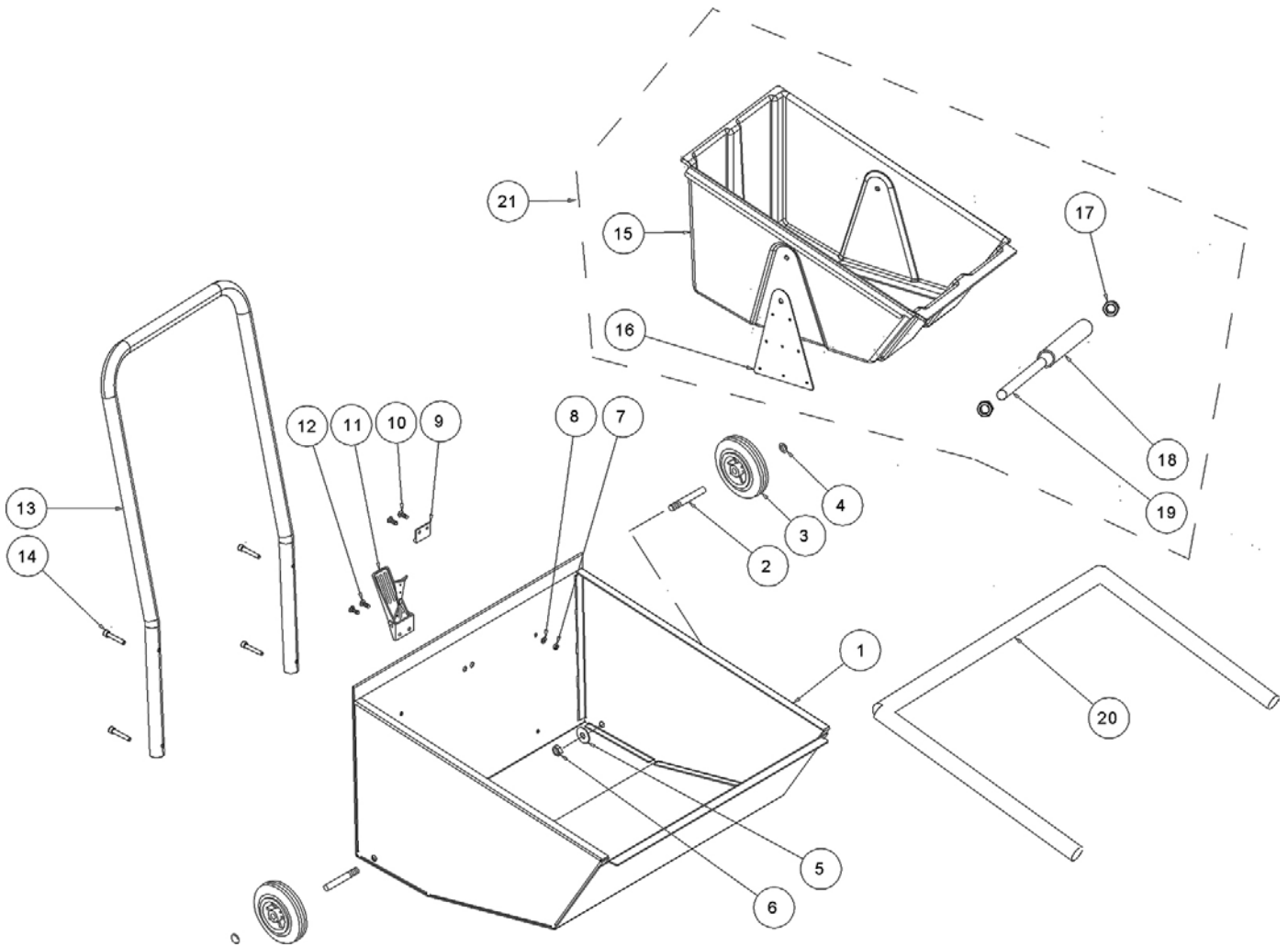
MAIN BRUSH GROUP - Cont'd

Ref.	Part No.	Mfr. Date	Description	Qty.
49	VTRS00504	() Washer D. 8 Zc. Uni 6592	1
50	897598	() Nut, M8, Flat	1
51	LAFN08197	() Arm	1
52	VTVR28706	() Key 6x 6x20 Uni 6604a	1
53	MPVR85319	() Bushing Internal Balance Support.	1
54	MPVR85319	() Bushing Internal Balance Support.	1
55	VTRS00509	() Washer D.20 Flat Z. Uni6592	1
56	897280	() Circlip, D. 20, Uni7435	1
57	LAFN36064	() Cover, Brush Closure	1
58	LAFN00699	() Clamp, Spray Block Arm	1
59	VTRS00514	() Washer D.10x30x11.4	1
60	VTVT47025	() Screw Tnce Iso 7380 10x16 Zb	1
61	CUVR17004	() Ball Bearing 6202 - 2rs1	1
62	VTVR13165	() Key Uni 6604 5x5x20	1
63	MLML00295	() Spring, Brush, Central	1
64	LAFN08198	() Shaft	1
65	CUVR17004	() Ball Bearing 6202 - 2rs1	1
66	VTAE17002	() Circlip D. 35 Uni 7437	1
67	LAFN06823	() Spacer, Bearings	1
68	MPVR04915	() Hub, Brush Central	1
69	VTRS04026	() Washer D. 6x18x2.38	1
70	VTVT62920	() Screw Te F/Rond. M 6x 16 Zb	1
71	VTVT01128	() Screw Tcce Uni 5931 12x120 Zb	1
72	MPVR04923	() Support, Brush Central	1
73	LAFN06782	() Bushing, Bearing	1
74	CUVR17004	() Ball Bearing 6202 - 2rs1	1
75	CUVR17004	() Ball Bearing 6202 - 2rs1	1
76	LAFN06783	() Bushing, Bearing	1
77	VTRS00553	() Washer, Dust	1
78	VTAE17002	() Circlip D. 35 Uni 7437	1
79	RTRT00022	() Handwheel D.30 M6x15	2
80	LAFN09473	() Bushing	1
81	LAFN08193	() Arm	1
82	VTRS00506	() Washer D.12 Uni 6592	1
83	VTDD00012	() Nut Autoblock Din 985 M12 Zb	1
84	VTVR00047	() Knob D.50 M8	1
85	VTRS00504	() Washer D. 8 Zc. Uni 6592	2
86	VTDD00491	() Nut M 6 Tef	2
87	VTVT00046	() Grub Screw Uni 5923 8x35 Zb	1
88	LAFN08826	() Arm	1
89	39311	() Nut, Hex, Std, M8 X 1.25	1
90	VTRS00504	() Washer D. 8 Zc. Uni 6592	2
91	897598	() Nut, M8, Flat	1
92	MEVR02899	() Fuse Circuit Breaker 35a	1
93	897203	() Screw	2
94	9018496	() Nut, Strap, Sqge	2
95	VTVT01705	() Screw 4x45 Uni 9709	2

SIDE BRUSH GROUP

Ref.	Part No.	Mfr. Date	Description	Qty.
1	MPVR87264	() Knob, Side	2
2	MPVR47076	() Bushing Of Side Standing Arm	2
3	MPVR47074	() Bushing Standing Lift Brush Side Interio	2
4	MLML47075	() Spring Side Brush Lever.D.15x1,5x24	2
5	VTRS00505	() Washer D.10 Uni 6592	2
6	VTAE87276	() Seeger Ext. D10 Din471	2
7	LAFN00700	() Arm, Left, Lift Brush	1
8	LAFN87265	() Arm, Brush Right	1
9	VTDD00008	() Nut M10 Uni 5589 Zb	4
10	VTVR47072	() Articulation As M10	2
11	ABG000008	() Vibration Damp. Pm 20x20 M6x20	2
12	VTVT75726	() Screw Tbei M 6x 16 Iso 7380 Zb	4
13	VTRS04026	() Washer D. 6x18x2.38	4
14	41359	() Nut, Hex, Std, M6 X 1.00, 8	2
15	MPVR86579	() Support	2
16	897598	() Nut, M8, Flat	2
17	VTRS00504	() Washer D. 8 Zc. Uni 6592	2
18	39311	() Nut, Hex, Std, M8 X 1.25	1
19	897598	() Nut, M8, Flat	1
20	MLML00015	() Spring Rit.Br.Lat.D.19x3,25x57zb	2
21	LAFN08975	() Guide	1
22	LAFN08974	() Guide	1
23	VTVT75724	() Screw, Hex, M8x1.25x22	1
24	39277	() Screw, Hex, M8 X 1.25 X 25, 8.8	1
25	VTAE12644	() Circlip External Din 471 D.30	4
26	LAFN47081	() Arm Spacer	2
27	LAFN08973	() Flange	2
28	VTRS00504	() Washer D. 8 Zc. Uni 6592	6
29	VTVT75725	() Screw Tbei M 6x 10 Iso 7380 Zb	6
30	MPVR47066	() Lifting Arm Protection	2
31	LAFN08196	() Support	1
32	LAFN08195	() Support	1
33	39311	() Nut, Hex, Std, M8 X 1.25	1
36	VTRS00503	() Washer D. 6 Uni 6592	8
37	MOCC00443	() Motor Left Side Brush	1
37	MEVR31145	() Side Brush Motor Carbons	1
38	MOCC00442	() Motor Right Side Brush	1
38	MEVR31145	() Side Brush Motor Carbons	1
39	71388	() Screw, Soc, M6 X 1.00 X 16, 12.9	8
40	1014328	() Key, Sq, 05mm X 05mm, 25mml	2
41	LAFN45010	() Flange L.1400 Lt	2
42	PMVR00283	() Brush, Side, Ppl	2
43	VTRS63242	() Washer D. 6 X24 Zc	2
44	VTVT62920	() Screw Te F/Rond. M 6x 16 Zb	6
45	VTVT00527	() Screw Te Fr 6x10 Zb Zig.	2
46	VTVT63129	() Screw Te F/Rond. M 8x16 Zb	1
47	VTRS00504	() Washer D. 8 Zc. Uni 6592	1
48	08709	() Nut, Hex, Lock, M8 X 1.25, NI	1
49	39311	() Nut, Hex, Std, M8 X 1.25	1
50	VTVT00046	() Grub Screw Uni 5923 8x35 Zb	1

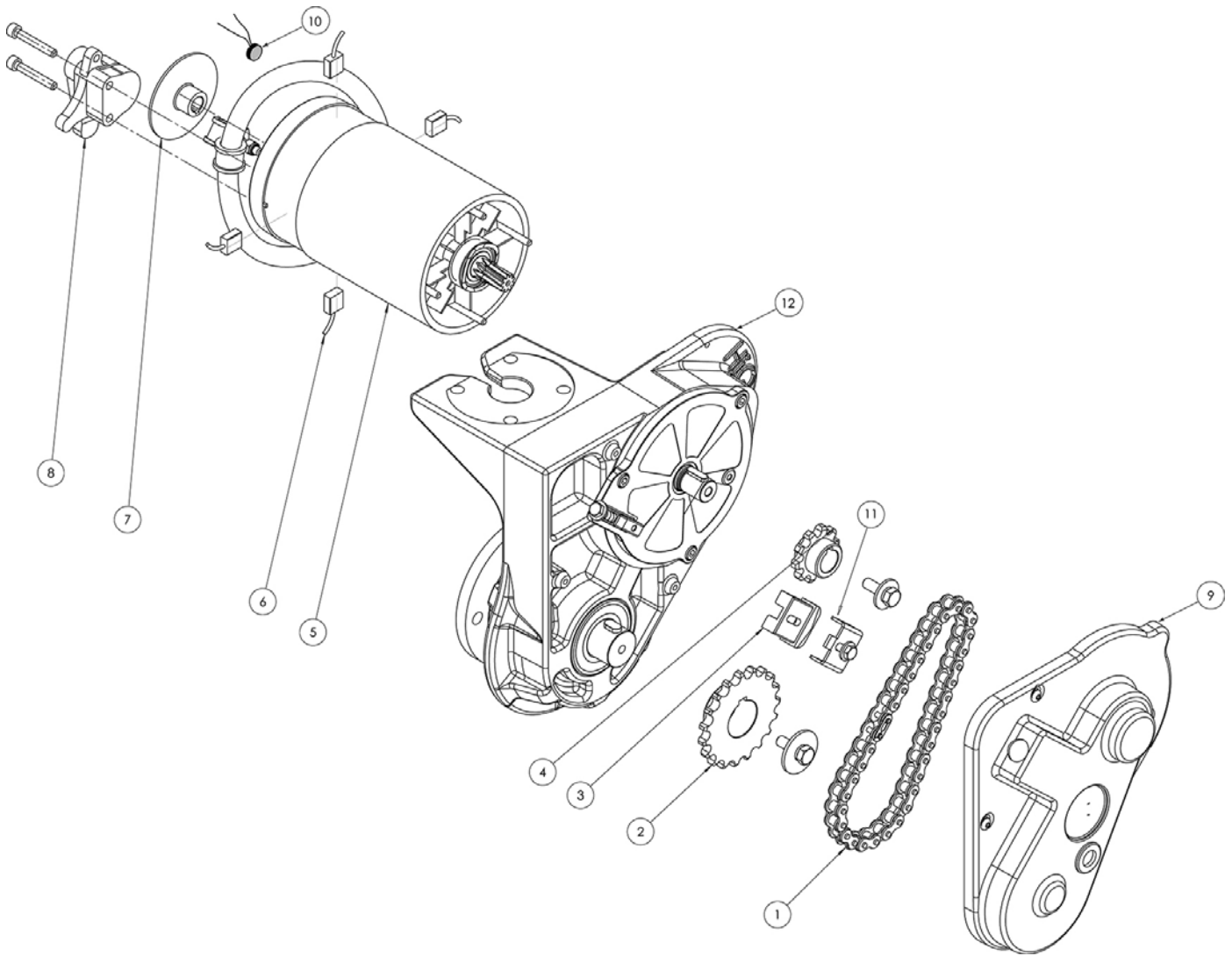
HOPPER GROUP



HOPPER GROUP

Ref.	Part No.	Mfr. Date	Description	Qty.
1	LAFN08175	()	Drawer	1
2	LAFN00433	()	Wheel Pin D.15 L.70,5	2
3	RTRT00013	()	Wheel Rubber D.125	2
4	VTVR26502	()	Hub Cap D. 15	2
5	VTRS00505	()	Washer D.10 Uni 6592	2
6	08714	()	Nut, Hex, Lock, M10 X 1.5, NI, Ss	2
7	VTDD00491	()	Nut M 6 Tef	4
8	VTRS04026	()	Washer D. 6x18x2.38	4
9	CHVR76643	()	Support, Holder, Lock	1
10	VTVT75726	()	Screw Tbei M 6x 16 Iso 7380 Zb	2
11	CHVR76642	()	Closure	1
12	VTVT75726	()	Screw Tbei M 6x 16 Iso 7380 Zb	2
13	LAFN08194	()	Handle	1
14	30556	()	Screw, Soc, M6 X 1.00 X 35, 12.9	4
15	MPVR06100	()	Drawer, Rear	2
16	LAFN08149	()	Reinforcement	8
17	VTDD00057	()	Nut Uni 5589 M8 Bass	4
18	LAFN11080	()	Handle	2
19	VTVR01068	()	Rod, Bar, Threaded	2
20	GUVR00625	()	Gasket 1.8m	1
21	KTRI04765	()	Kit, Cover, Rear, Complete	1

DRIVE WHEEL BREAKDOWN GROUP



DRIVE WHEEL BREAKDOWN GROUP

Ref.	Part No.	Mfr. Date	Description	Qty.
▽	MOCC00434	()	Motorwheel W/ Brake	1
▲	1	MTCR00104	() Chain	1
▲	2	MTIG00130	() Pinion 1/2x5/16 Z19	1
▲	3	LAFN08226	() Chain, Stretcher	1
▲	4	MTIG00129	() Pinion 1/2x5/16 Z10	1
▲	5	MOCC00445	() Motor, Traction	1
▲	6	MEVR02107	() Kit, Traction Motor	1
▲	7	LAFN08224	() Disc	1
▲	8	LAFN08225	() Disc Brake Caliper 1d.311	1
▲	9	MPVR11196	() Cover, Crankcase Motor	1
▲	10	MEVR02827	() Sensor, Thermal	1

▽ ASSEMBLY

▲ INCLUDED IN ASSEMBLY

ELECTRICAL DIAGRAM

