



Spare Parts List

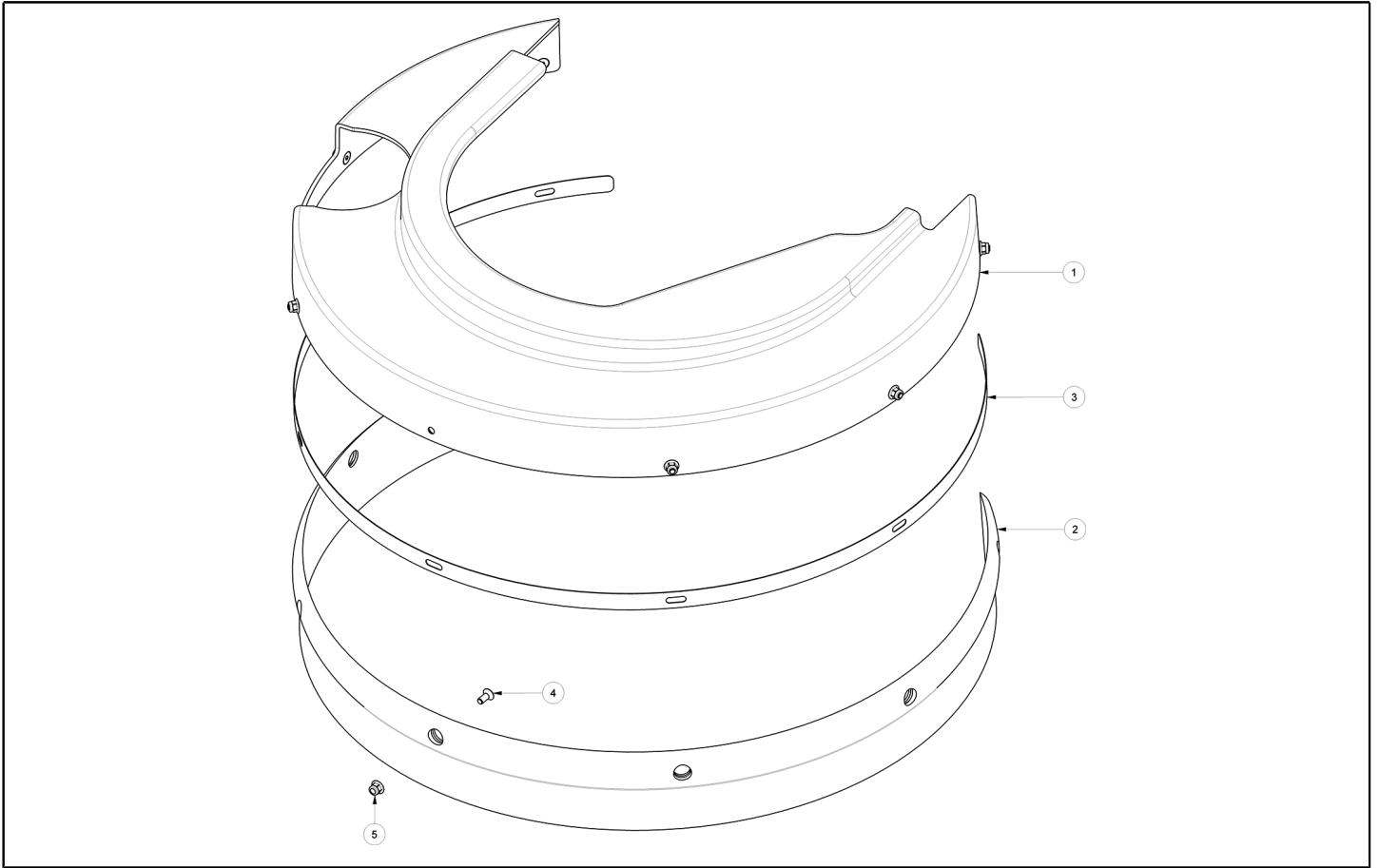
IP Cleaning Srl - Gansow

Ref: LPTB03238

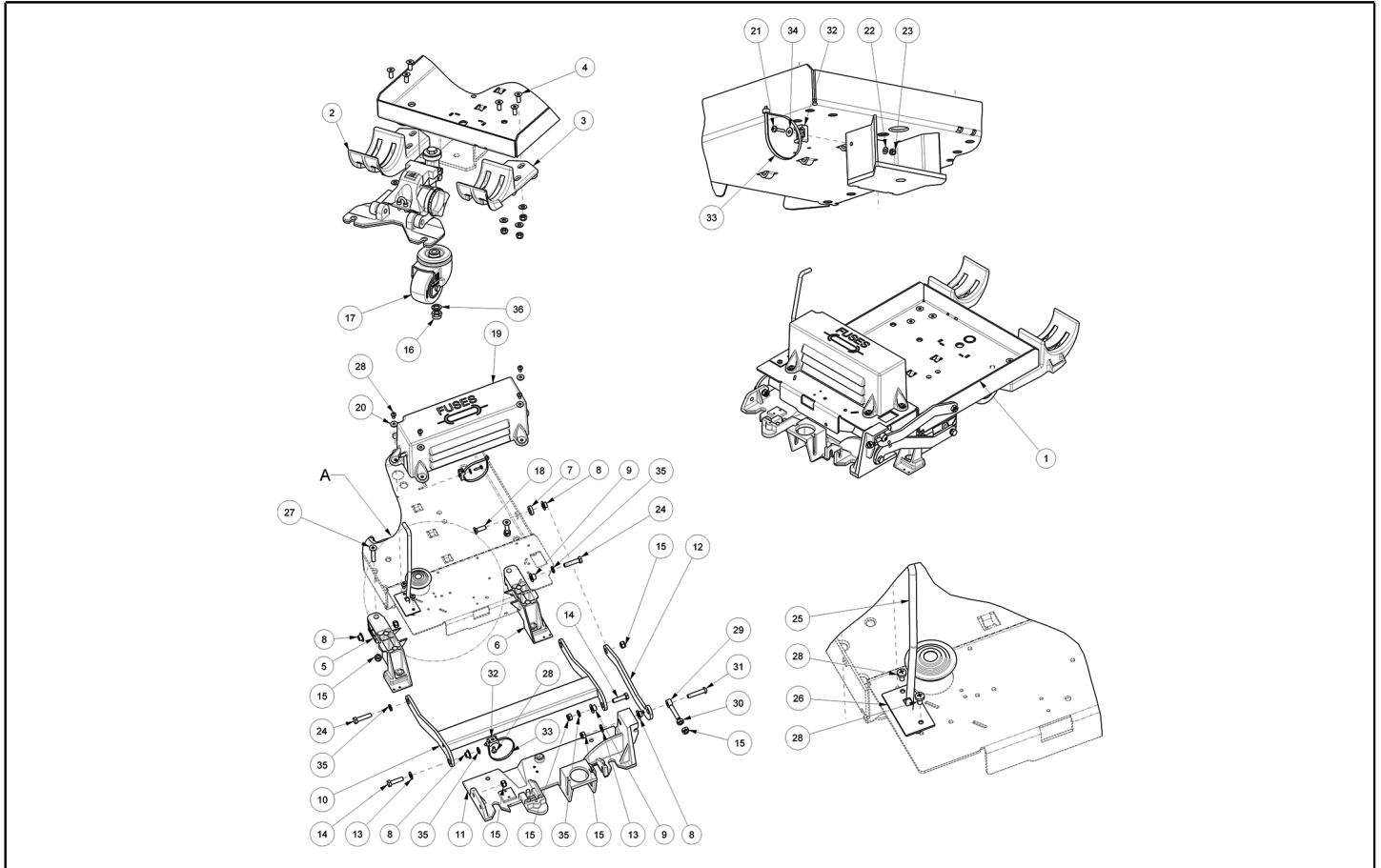
Cust.Ref: LPTB03238-1

Model: FLOOR WASHER T291 BT50+CB+BAT+TL+SG

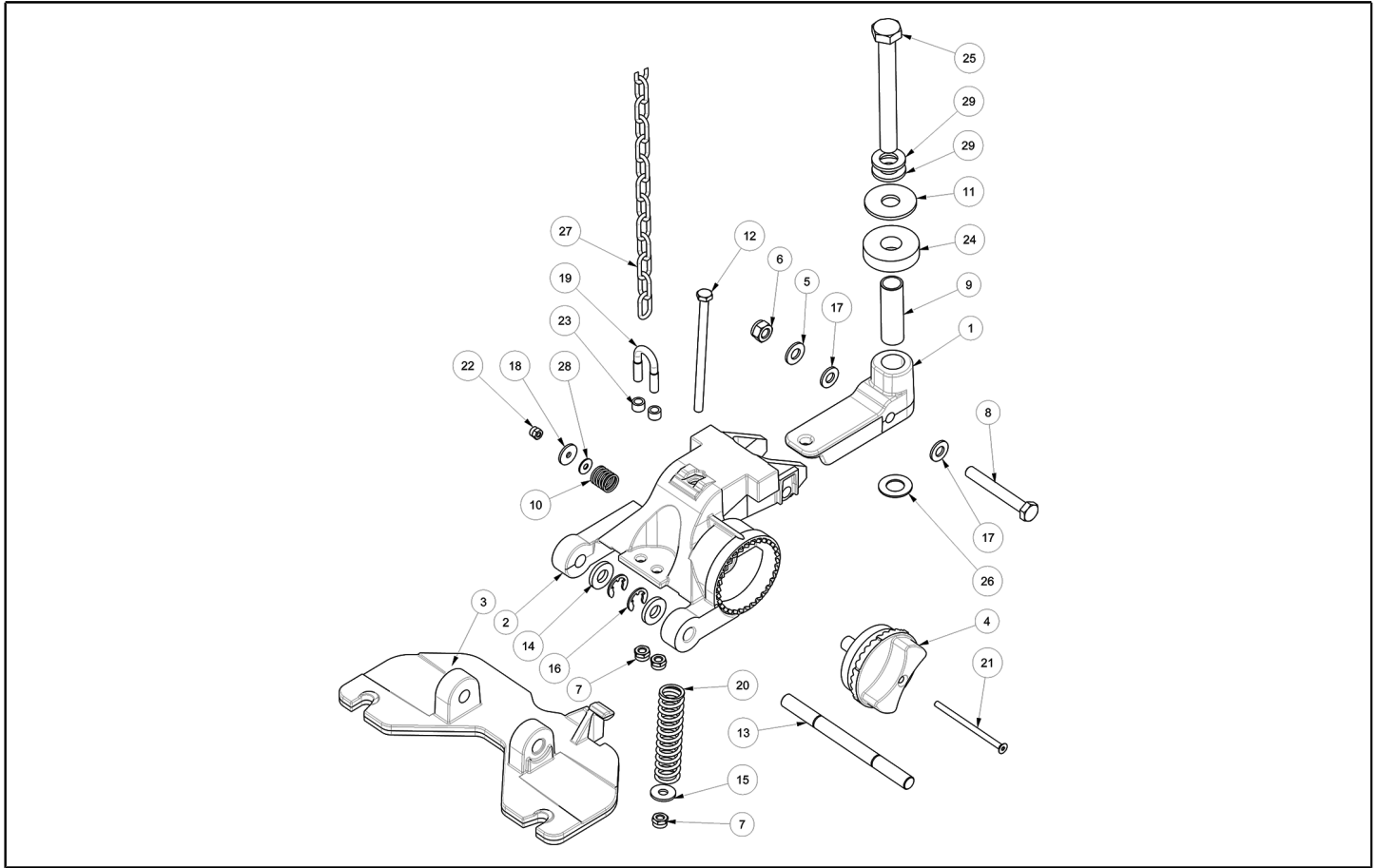
Cust.Model: T291/BT50 WB SCRUBBER W/BATT OB CHAR



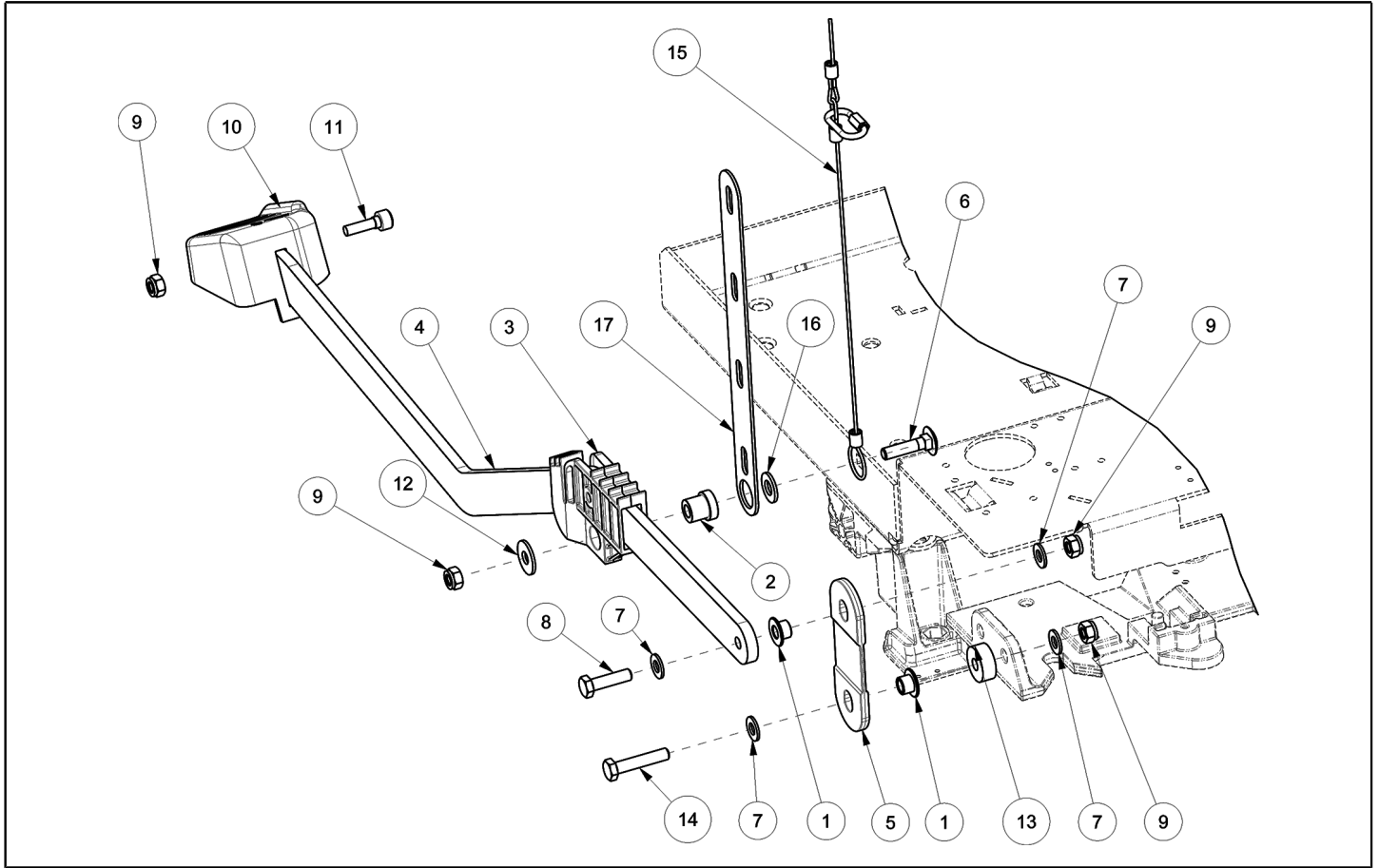
Ref. K	Part N.	Part N. 2	Description	Quantity	Validity		Price
					From	To	
0001	MPVR11904	MPVR11904	SUPPORT, SPLASH GUARD [T291,B55]	1,00			--
0002	MPVR11925	MPVR11925	RUBBER SPLASH GUARD CT51 B50	1,00		10/12/2019	--
0002	MPVR12718	MPVR12718	SPLASH GUARD, RUBBER 50-55CM [T291-T391]	1,00	11/12/2019		--
0003	LAFN11270	LAFN11270	STRAP, GUARD, SPLASH [T291 50-55CM]	1,00			--
0004	VTVT01317	VTVT01317	SCREW, M5X12	7,00			--
0005	VTDD00531	VTDD00531	NUT, HEX, FLNG, LOCK, M5, SS, DIN6926	7,00			--



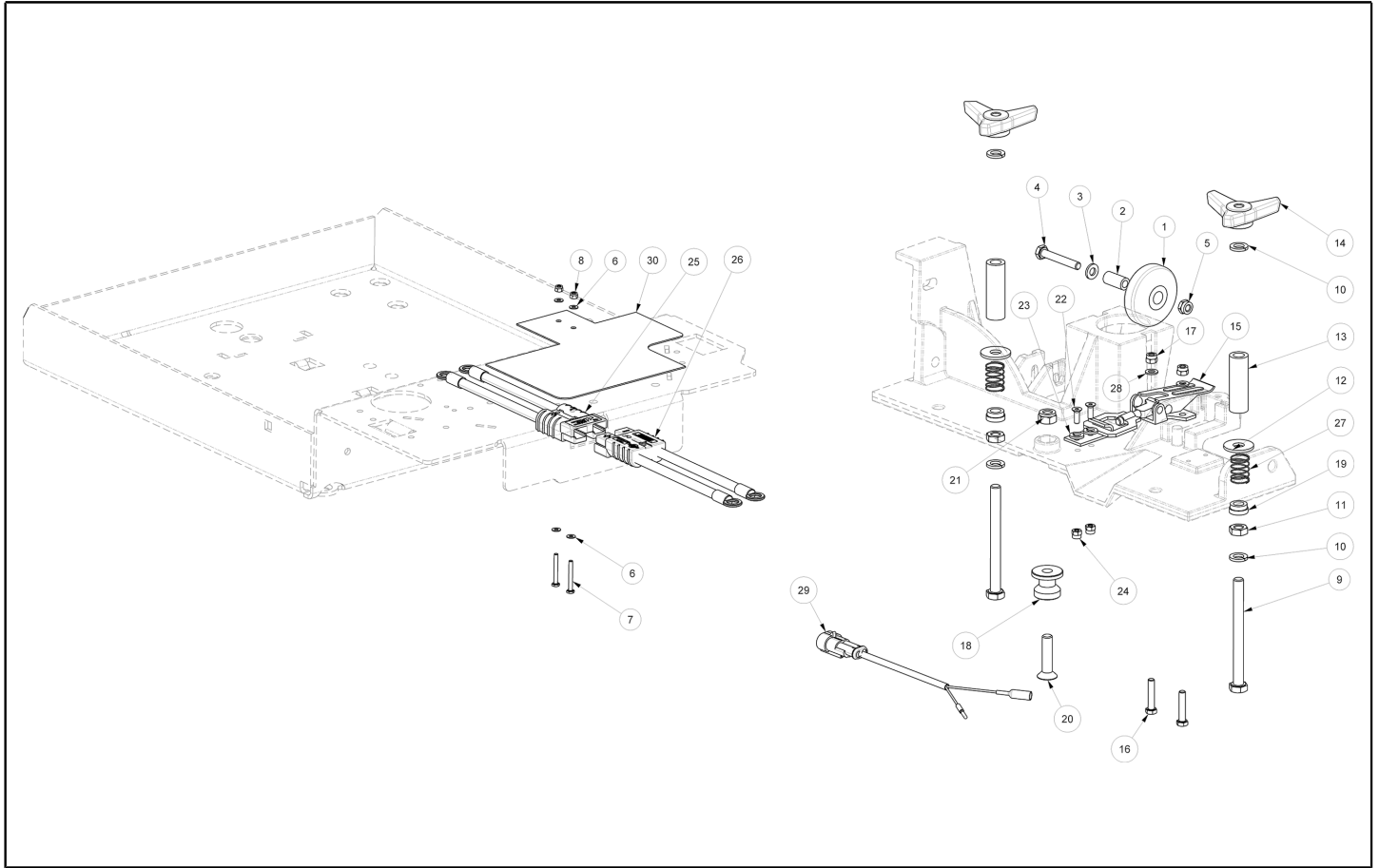
Ref. K	Part N.	Part N. 2	Description	Quantity	Validity		Price
					From	To	
0001	LAFN09477	LAFN09477	FRAME WLDT	1,00			--
0002	MFVR00286	MFVR00286	SUPPORT	1,00			--
0003	MFVR00287	MFVR00287	SUPPORT	1,00			--
0004	VTVT01352	VTVT01352	SCREW, FLT, SOC, M8X20	6,00			--
0005	MFVR00283	MFVR00283	SUPPORT	1,00			--
0006	MFVR00284	MFVR00284	SUPPORT	1,00			--
0007	LAFN11009	LAFN11009	SPACER, 11.5B 20D 5.1	1,00			--
0008	LAFN06391	LAFN06391	BUSHING BRUSH DECK SUPPORT	4,00			--
0009	LAFN10998	LAFN10998	BUSHING, FLNG, 8.3B 12D 9.7	2,00			--
0010	LAFN09420	LAFN09420	ARM WLDT	1,00			--
0011	MFVR00240	MFVR00240	BRACKET WLDT, BRUSH, HEAD, SPPT	1,00			--
0012	LAFN09421	LAFN09421	LINK, BRUSH	1,00			--
0013	VTRS13947	VTRS13947	WASHER D. 8 INX UNI 6592	8,00			--
0014	VTVT00140	VTVT00140	SCREW, M8X30	2,00			--
0015	VTDD01701	VTDD01701	NUT, HEX, M8, SS	15,00			--
0016	VTDD00176	VTDD00176	NUT M.12 INOX A2 BASSO AUTOB.	1,00			--
0017	RTRT00689	RTRT00689	TURNING WHEEL D.80X40 GREYTHANE 75SHA	1,00			--
0018	VTVT00781	VTVT00781	SCREW, FLT, SOC, M8X25	1,00			--
0019	MPVR06505	MPVR06505	COVER, ELE, BOX	1,00			--
0020	VTRS13750	VTRS13750	WASHER D. 5X14 INX	4,00			--
0021	VTVT01366	VTVT01366	SCREW M4X16	1,00			--
0022	VTRS00515	VTRS00515	WASHER D. 4 INX	1,00			--
0023	VTDD00055	VTDD00055	NUT M 4 ATB A2	1,00			--
0024	VTVT00017	VTVT00017	SCREW, HEX, M8X35, UNI5739	2,00			--
0025	LAFN11014	LAFN11014	ROD, TANK	1,00			--
0026	LAFN11077	LAFN11077	PLATE	1,00			--
0027	VTVT01322	VTVT01322	SCREW, FLT, SOC, M8X45, SS, UNI5933	2,00			--
0028	VTVT01297	VTVT01297	SCREW, PAN, PHL, M4X8, FMG, UNI8112	7,00			--
0029	VTVR00335	VTVR00335	BOLT, EYE, M8 X 50MM, 8.00 EYE	1,00			--
0030	VTDD15521	VTDD15521	NUT M 8 INX A2 UNI 5588	1,00			--
0031	VTVT01431	VTVT01431	SCREW, M8X40	1,00			--
0032	MPVR10765	MPVR10765	CLAMP, SPPT	2,00			--
0033	FSVR00049	FSVR00049	TIE, CABLE, 4,5X200, BLK	2,00			--
0034	VTRS00017	VTRS00017	WASHER, 12D 4B, SS	1,00			--
0035	VTRS15146	VTRS15146	WASHER GROVER A2 UNI1751	4,00			--
0036	VTRS15919	VTRS15919	WASHER, 12D, SS, UNI1751	1,00			--



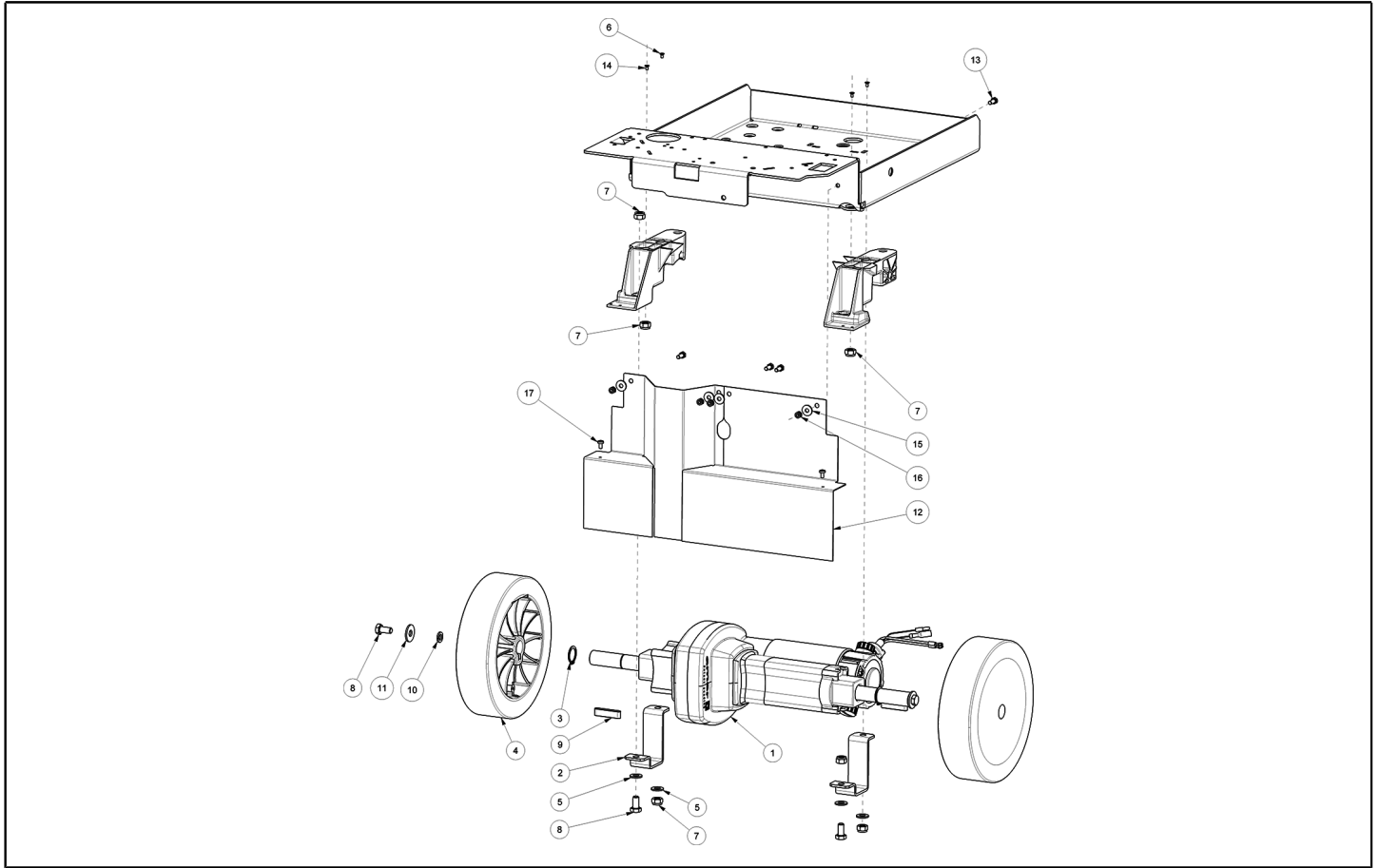
Ref. K	Part N.	Part N. 2	Description	Quantity	Validity		Price
					From	To	
0001	MFVR00235	MFVR00235	SUPPORT, SQGE, PIVOT	1,00			--
0002	MFVR00236	MFVR00236	SUPPORT, ARM, SQGE	1,00			--
0003	MFVR00237	MFVR00237	SUPPORT, SQGE	1,00			--
0004	MPVR06468	MPVR06468	KNOB, SQGE, ANGLE, ADJMT	1,00			--
0005	VTRS13947	VTRS13947	WASHER D. 8 INX UNI 6592	1,00			--
0006	VTDD01701	VTDD01701	NUT, HEX, M8, SS	1,00			--
0007	VTDD01694	VTDD01694	NUT, HEX, LOCK, M6, SS, DIN985	3,00			--
0008	VTVT01009	VTVT01009	SCREW 8X60	1,00			--
0009	LAFN09439	LAFN09439	BUSHING, 13ID X 16OD X 51L	1,00			--
0010	MLML00491	MLML00491	SPRING, CMPR, 13.1D 0.8WIR 25L	1,00			--
0011	VTRS09142	VTRS09142	WASHER D.12 X 36	1,00			--
0012	VTVT01437	VTVT01437	SCREW, HEX, M6X100	1,00			--
0013	LAFN09417	LAFN09417	PIN, SQGE, SPPT	1,00			--
0014	VTRS00382	VTRS00382	WASHER	2,00			--
0015	VTRS13945	VTRS13945	WASHER D. 6X18 INX UNI 6593	1,00			--
0016	VTAE00012	VTAE00012	RING, RETAINING, EXT, 10MMD, UNI 7434	2,00		30/05/2021	--
0016	VTAE00077	VTAE00077	RING, RETAINING, EXT, 10MMD, UNI 7434	2,00	31/05/2021		--
0017	VTRS00274	VTRS00274	WASHER NYLON 66 D.8,4-17-2 UNI	2,00			--
0018	VTRS00251	VTRS00251	WASHER 4-16 INOX A2	1,00			--
0019	LAFN09231	LAFN09231	SUPPORT M6X11X29	1,00			--
0020	MLML00490	MLML00490	SPRING, CMPR, 18D 2.5WIR 75L	1,00			--
0021	VTVT01585	VTVT01585	SCREW, FLT, SOC, M4X70, UNI5933	1,00			--
0022	VTDD15925	VTDD15925	NUT M 4 INX+ZN	1,00			--
0023	TBBP00746	TBBP00746	SPACER, 6X9MM L=6MM	2,00			--
0024	MPVR06069	MPVR06069	WASHER 15X40	1,00			--
0025	VTVT24212	VTVT24212	SCREW, HEX, M12X100, SS, UNI5737	1,00		19/01/2020	--
0025	VTVT01503	VTVT01503	SCREW, HEX, M12X105, 8.8, UNI5737	1,00	20/01/2020		--
0026	VTRS88000	VTRS88000	WASHER	1,00			--
0027	MTCR00107	MTCR00107	CHAIN, SQGE, LIFT	1,00			--
0028	VTRS00017	VTRS00017	WASHER, 12D 4B, SS	1,00	23/05/2018		--
0029	VTRS15978	VTRS15978	WASHER D.12X24 UNI 6592 INX	2,00	20/01/2020		--



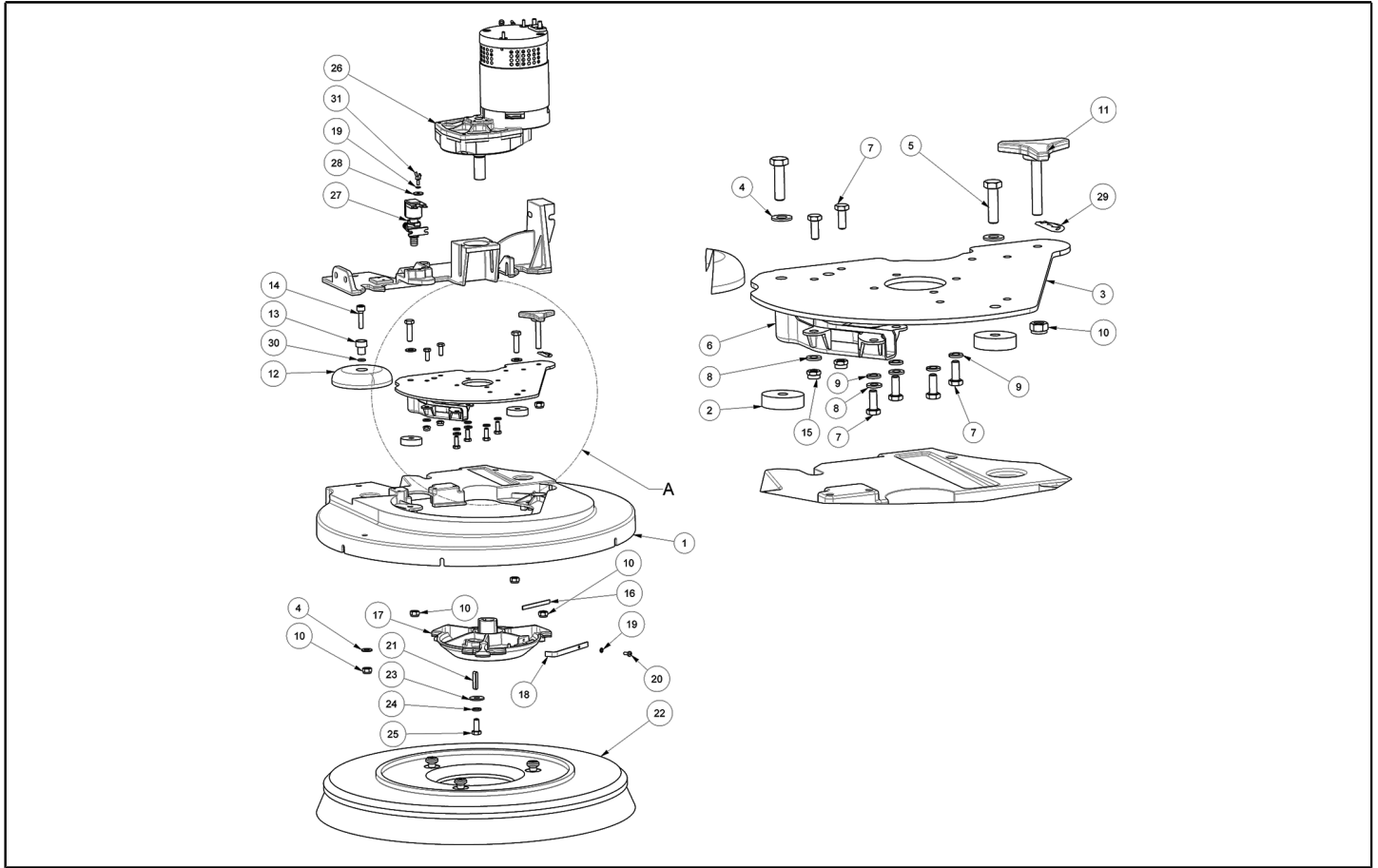
Ref. K	Part N.	Part N. 2	Description	Quantity	Validity		Price
					From	To	
0001	LAFN10998	LAFN10998	BUSHING, FLNG, 8.3B 12D 9.7	2,00			--
0002	LAFN10997	LAFN10997	SPACER, 8.8B 16D 18.7	1,00			--
0003	MPVR06500	MPVR06500	SUPPORT, LIFT, PEDAL	1,00			--
0004	LAFN09427	LAFN09427	LEVER, PEDAL, BRUSH, HEAD	1,00			--
0005	MPVR06502	MPVR06502	LINK, PEDAL, BRUSH, HEAD	1,00			--
0006	VTVT01143	VTVT01143	SCREW, M8X35	1,00			--
0007	VTRS13947	VTRS13947	WASHER D. 8 INX UNI 6592	4,00			--
0008	VTVT13937	VTVT13937	SCREW TE M 8X 30 INX UNI 5739	1,00			--
0009	VTDD01701	VTDD01701	NUT, HEX, M8, SS	4,00			--
0010	MPVR06471	MPVR06471	PEDAL, LIFT, HEAD	1,00			--
0011	VTVT00639	VTVT00639	SCREW, SOC, M8X25	1,00			--
0012	VTRS13946	VTRS13946	WASHER D. 8 X24 INX UNI 6593	1,00			--
0013	MPVR10793	MPVR10793	SPACER	1,00			--
0014	VTVT00708	VTVT00708	SCREW, HEX, M8X40	1,00			--
0015	CMCV00399	CMCV00399	CABLE, SAFETY, STL	1,00			--
0016	VTRS15523	VTRS15523	WASHER, 10B, 21D, SS, UNI6592	1,00			--
0017	MPVR11573	MPVR11573	PLATE, GUIDE, PEDAL	1,00			--



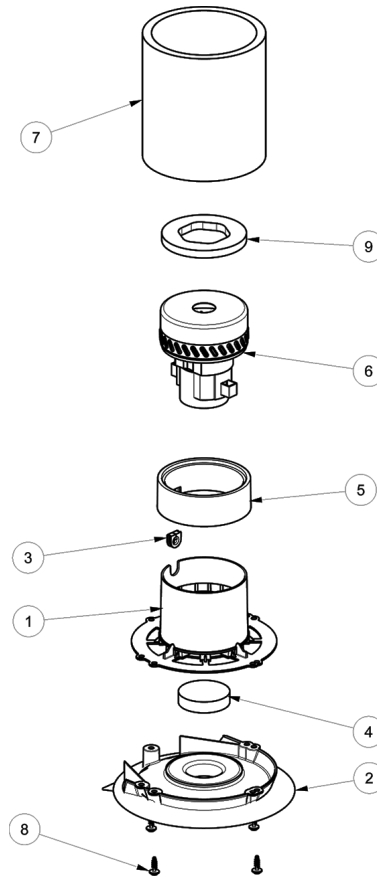
Ref. K	Part N.	Part N. 2	Description	Quantity	Validity		Price
					From	To	
0001	RTRT00576	RTRT00576	WHEEL, 50D 10.5B 17W	1,00			--
0002	MPVR06501	MPVR06501	SPACER	1,00			--
0003	VTRS00245	VTRS00245	WASHER D.6 UNI 6592 INOX	1,00			--
0004	VTVT15145	VTVT15145	SCREW, HEX, M6X40, SS, UNI5739	1,00			--
0005	VTDD01694	VTDD01694	NUT, HEX, LOCK, M6, SS, DIN985	1,00			--
0006	VTRS21116	VTRS21116	WASHER D.3 STAINLESS STEEL	4,00			--
0007	VTVT00021	VTVT00021	SCREW, HEX, M3X25, UNI5739	2,00			--
0008	VTDD00210	VTDD00210	NUT M 3 AUTOBL.DIN 985 IX.A2	2,00			--
0009	VTVT01321	VTVT01321	SCREW, HEX, M8X90, UNI5739	2,00			--
0010	VTRS15146	VTRS15146	WASHER GROVER A2 UNI1751	4,00			--
0011	VTDD00057	VTDD00057	NUT, HEX, THIN, M8, BRS, UNI5589	2,00			--
0012	VTRS13946	VTRS13946	WASHER D. 8 X24 INX UNI 6593	2,00			--
0013	LAFN11002	LAFN11002	SPACER, 9B 15D 47	2,00			--
0014	MPVR04164	MPVR04164	KNOB, YEL	2,00			--
0015	LAFN09418	LAFN09418	HOOK, BRUSH, HEAD	1,00			--
0016	VTVT00766	VTVT00766	SCREW, HEX, M5X25	2,00			--
0017	VTDD15517	VTDD15517	NUT, HEX, M5, SS	2,00			--
0018	LAFN09419	LAFN09419	PIN	1,00			--
0019	LAFN11089	LAFN11089	SPACER, 8.5B 15D 7	2,00			--
0020	VTVT00427	VTVT00427	SCREW, FLT, SOC, M8X35, SS, UNI5933	1,00			--
0021	VTDD01701	VTDD01701	NUT, HEX, M8, SS	1,00			--
0022	VTVT00474	VTVT00474	SCREW, FLT, SOC, M4X12, UNI5933	2,00			--
0023	VTRS15144	VTRS15144	WASHER D. 6 INX GRW UNI 1751	2,00			--
0024	VTDD15925	VTDD15925	NUT M 4 INX+ZN	2,00			--
0025	MECB01947	MECB01947	CABLE ASSY, BRUSH, HEAD, BOARD	1,00			--
0026	MECB01946	MECB01946	CABLE ASSY, BRUSH, HEAD, MOTOR	1,00			--
0027	MLML00348	MLML00348	SPRING, CMPR, 15D 0.7WIR 20L	2,00			--
0028	VTRS00516	VTRS00516	WASHER D. 5 INX	2,00			--
0029	MECB02024	MECB02024	HARNESS, BRUSH, MOTOR, THERMAL	1,00			--
0030	MPVR13727	MPVR13727	SHEET, PROTECTION, CONNECTOR [T291,T391]	1,00	14/03/2024		--



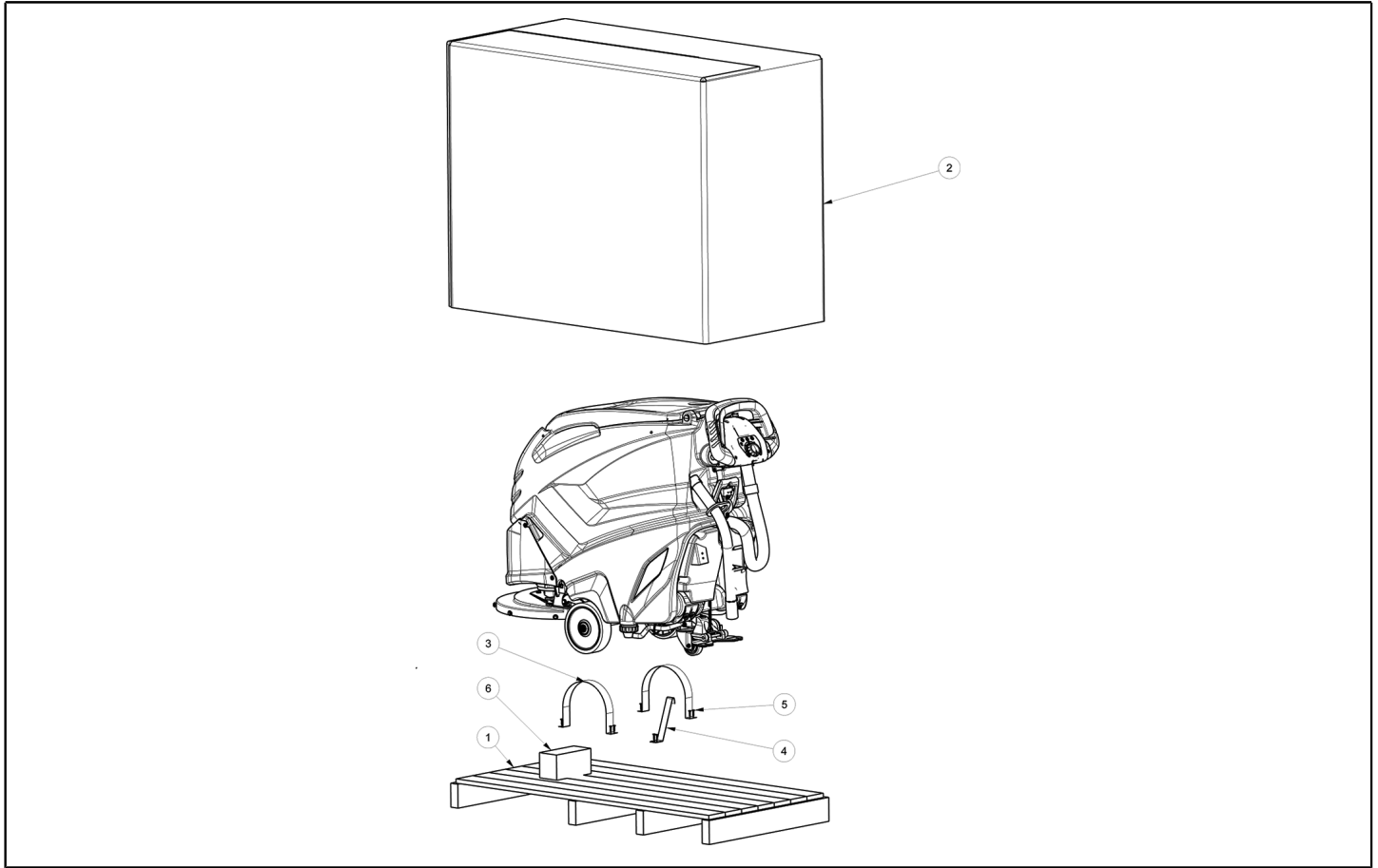
Ref. K	Part N.	Part N. 2	Description	Quantity	Validity		Price
					From	To	
0001	MOCC00465	MOCC00465	TRANSAXLE ASSY, 24V, 200W	1,00			--
0001	MOCC00022	MOCC00022	BRUSHHOLDER	2,00			--
0002	LAFN09453	LAFN09453	BRACKET, SPPT, TRACTION, MOTOR	2,00			--
0003	VTAE06193	VTAE06193	RING, RETAINING, EXT, 20D, UNI7435	2,00			--
0004	RTRT00546	RTRT00546	WHEEL D.200	2,00			--
0005	VTRS13947	VTRS13947	WASHER D. 8 INX UNI 6592	4,00			--
0006	VTVT01589	VTVT01589	SCREW, FLT, SOC, M8X40, UNI5933 A2	2,00			--
0007	VTDD01701	VTDD01701	NUT, HEX, M8, SS	6,00			--
0008	VTVT15916	VTVT15916	SCREW TE M 8X 16 UNI 5739 A2	4,00			--
0009	VTVR00566	VTVR00566	KEY, 6X10X40, UNI6604 A	2,00			--
0010	VTRS15146	VTRS15146	WASHER GROVER A2 UNI1751	2,00			--
0011	VTRS13946	VTRS13946	WASHER D. 8 X24 INX UNI 6593	2,00			--
0012	MPVR10760	MPVR10760	SKIRT, MOTOR	1,00			--
0013	VTVT01300	VTVT01300	SCREW TE M5X12 INOX	4,00			--
0014	VTVT00992	VTVT00992	SCREW, M8X55, SS	2,00			--
0015	VTRS13750	VTRS13750	WASHER D. 5X14 INX	4,00			--
0016	VTDD01693	VTDD01693	NUT, HEX, M5, SS	4,00			--
0017	VTVT00813	VTVT00813	SCREW M 4X 8 TCB-TC UNI 8112	2,00			--



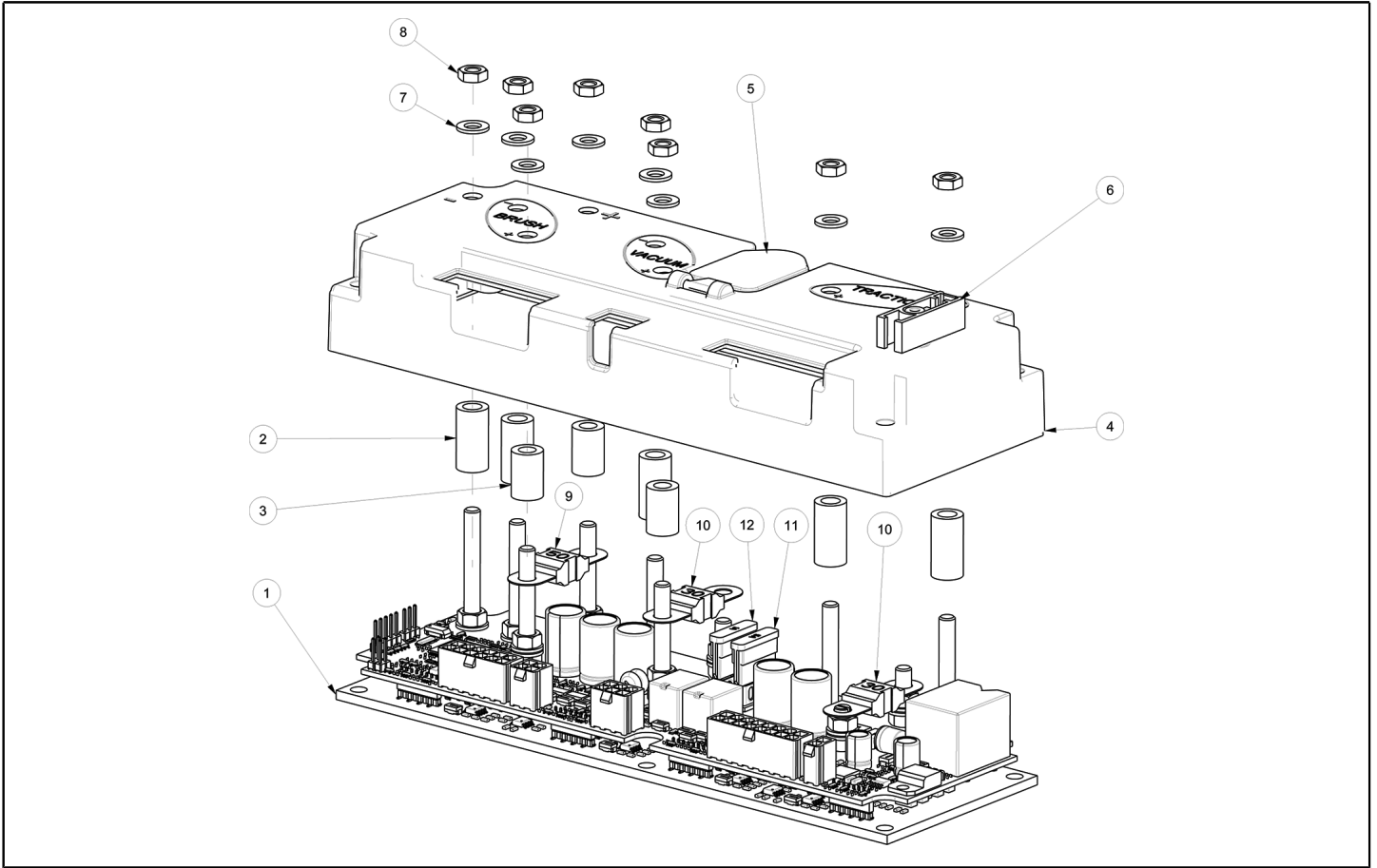
Ref. K	Part N.	Part N. 2	Description	Quantity	Validity		Price
					From	To	
0001	MFVR00238	SPPV00143	PAD HOLDER 85	1,00			--
0002	GUVR01012	GUVR01012	WASHER, 8B 35D	2,00			--
0003	LAFN09424	LAFN09424	PLATE	1,00			--
0004	VTRS13947	VTRS13947	WASHER D. 8 INX UNI 6592	3,00			--
0005	VTVT01050	VTVT01050	SCREW TE M 8X30 INX UNI 5737	2,00			--
0006	MPVR06503	MPVR06503	DUCT, WATER	1,00			--
0007	VTVT15143	VTVT15143	SCREW TE 6X16 UNI5739	6,00			--
0008	VTRS00245	VTRS00245	WASHER D.6 UNI 6592 INOX	4,00			--
0009	VTRS15144	VTRS15144	WASHER D. 6 INX GRW UNI 1751	4,00			--
0010	VTDD01695	VTDD01695	NUT, HEX, LOCK, M8, NL, SS, DIN985	5,00			--
0011	MPVR10568	MPVR10568	KNOB, STAR, 65D M8X50	1,00			--
0012	MPVR05290	MPVR05290	ROLLER SIDE BUMPER WHEEL	1,00			--
0013	LAFN03915	LAFN03915	BUSHING NUOVO RUOTINO STRONG	1,00			--
0014	VTVT00822	VTVT00822	SCREW TCEI M 8-30	1,00			--
0015	VTDD01694	VTDD01694	NUT, HEX, LOCK, M6, SS, DIN985	2,00			--
0016	MLML00470	MLML00470	SPRING	1,00			--
0017	MFVR00242	MFVR00242	HUB, DRIVE, BRUSH, DISK	1,00		29/11/2020	--
0017	MFVR00327	MFVR00327	HUB, DRIVE, DISC	1,00	30/11/2020		--
0018	MLML00350	MLML00350	SPRING	1,00			--
0019	VTRS15913	VTRS15913	WASHER, GROVER, D.4, SS, UNI1751	1,00			--
0020	VTVT21887	VTVT21887	SCREW TCB-TC 4X10 8112	2,00			--
0021	VTVR16617	VTVR16617	KEY, 6X6X30, UNI6604	1,00			--
0022	SPPV01352	SPPV01352	BRUSH D 530	1,00			--
0023	VTRS13946	VTRS13946	WASHER D. 8 X24 INX UNI 6593	1,00			--
0024	VTRS15146	VTRS15146	WASHER GROVER A2 UNI1751	1,00			--
0025	VTVT13938	VTVT13938	SCREW TE 8X20 UNI5739 INX	1,00			--
0026	MOCC00449	MOCC00449	MOTOR, BRUSH	1,00			--
0026	MEVR02923	MEVR02923	VR, BRUSH KIT, MOTOR, BRUSH [4 PC]	1,00			--
0027	MEEV00036	MEEV00036	SOLENOID VALVE HOLE 8mm CLEANTIME	1,00			--
0028	VTRS00251	VTRS00251	WASHER 4-16 INOX A2	1,00			--
0029	ETET20123	ETET20123	LABEL	1,00			--
0030	GUGO00164	897102	GASKET	1,00			--
0031	VTVT01150	VTVT01150	SCREW 4X10	1,00			--



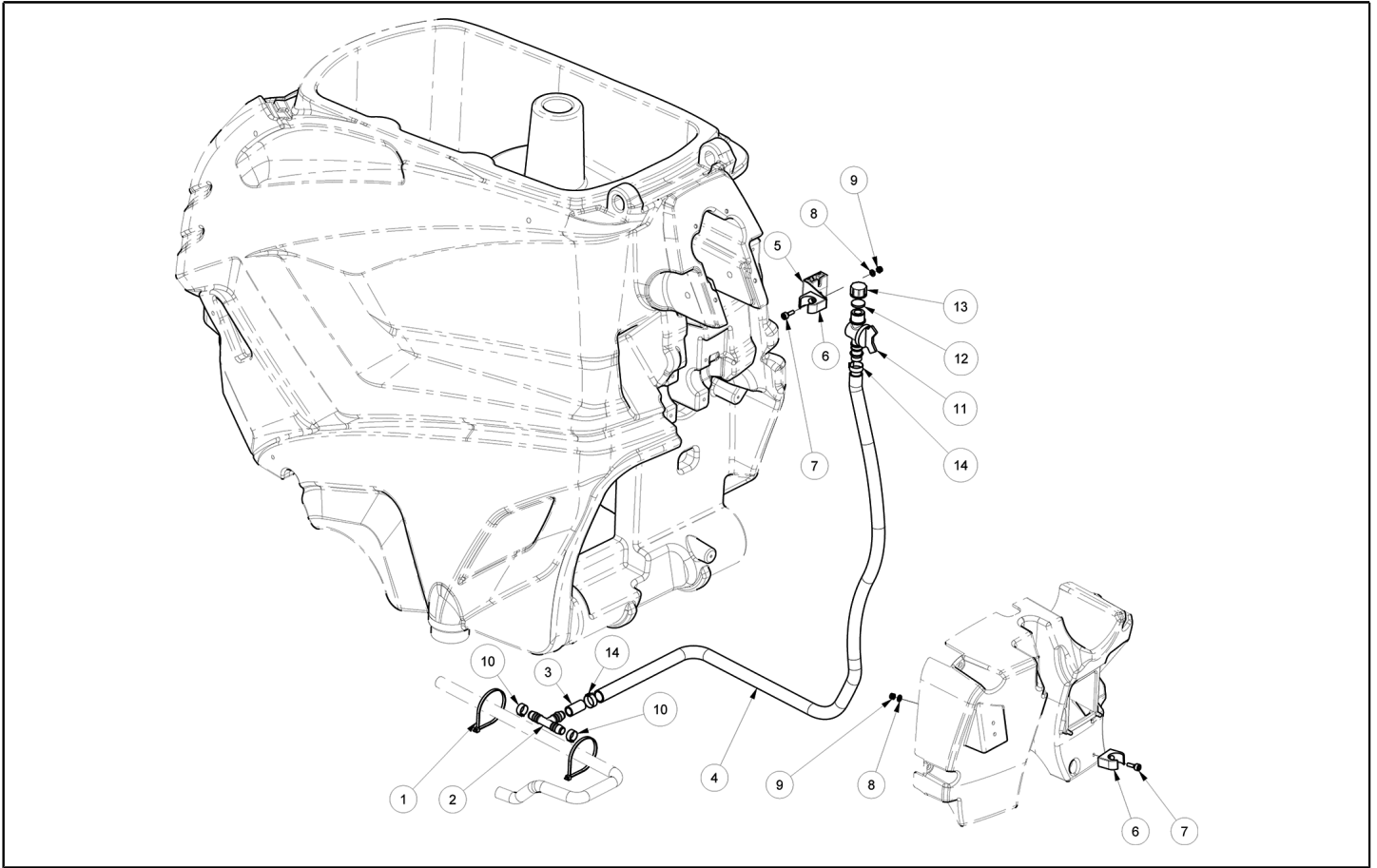
Ref. K	Part N.	Part N. 2	Description	Quantity	Validity		Price
					From	To	
0001	MPVR06466	MPVR06466	SUPPORT, VACUUM, MOTOR	1,00		11/11/2023	--
0001	MPVR13522	MPVR13522	SUPPORT DEFLECTOR VAC MOTOR [T291,T391]	1,00	12/11/2023		--
0002	MPVR06480	MPVR06480	COVER, VACUUM, MOTOR	1,00			--
0003	GUGO00496	GUGO00496	CABLE PASS	1,00		04/09/2023	--
0004	FTAC00072	FTAC00072	FILTER VACUUM INTAKE	1,00		04/07/2018	--
0005	GUGO00466	GUGO00466	[CT5173]GASKET RUBBER VACUUM MOT. CT51	1,00		04/09/2023	--
0005	GUGO00733	GUGO00733	GASKET RBR VAC FAN [T291,T391,T581,CT51]	1,00	05/09/2023		--
0006	MOCC00417	MOCC00417	MOTOR, VACUUM	1,00		04/07/2018	--
0006	MEVR02377	MEVR02377	MOTOR COAL	1,00		04/07/2018	--
0006	MOCC00349	MOCC00349	MOTOR VACUUM 2 STAGES 24V	1,00	05/07/2018		--
0006	MEVR05200	MEVR05200	VACUUM BRUSH 116599XX	1,00	05/07/2018		--
0007	ITSO00076	ITSO00076	INSULATION, ACSTC, VACUUM, MOTOR	1,00			--
0008	VTVT01427	VTVT01427	SCREW PAN TORX 8X25	4,00			--
0009	GUGO00509	GUGO00509	GASKET, VACUUM, MOTOR	1,00			--



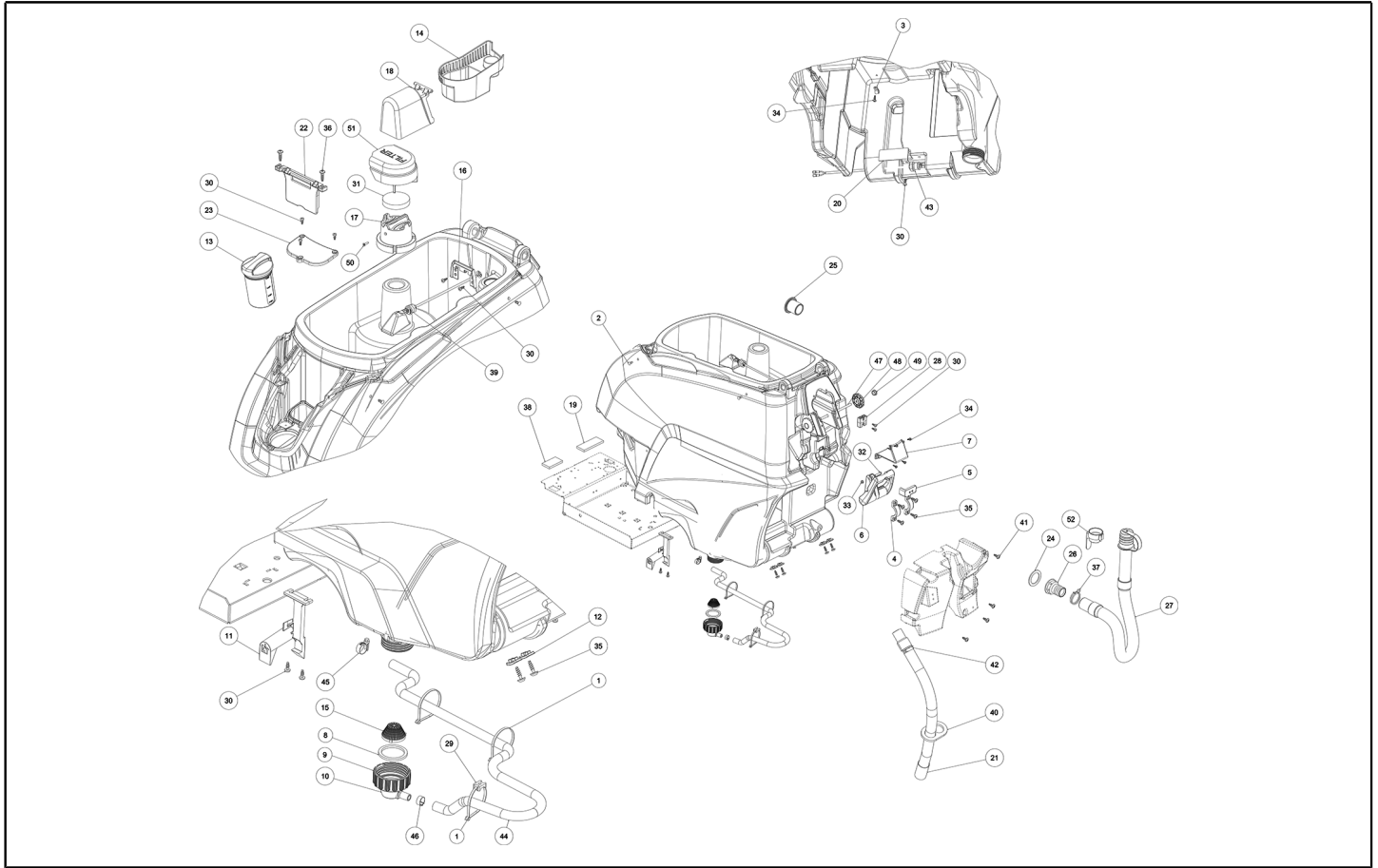
Ref. K	Part N.	Part N. 2	Description	Quantity	Validity		Price
					From	To	
0001	MIBA00150	N/A	PALLET	1,00			--
0002	MICT00703	MICT00703	CARTON	1,00			--
0003	MIVR00135	MIVR00135	CLAMP, WHEEL, REAR	2,00			--
0004	MIVR00269	MIVR00269	BRACKET, SHIPPING	1,00			--
0005	VTVT00043	VTVT00043	SCREW	10,00			--
0006	MIVR00055	MIVR00055	LOWER SUPPORT IN POLIST 400X100 X90	0,50			--



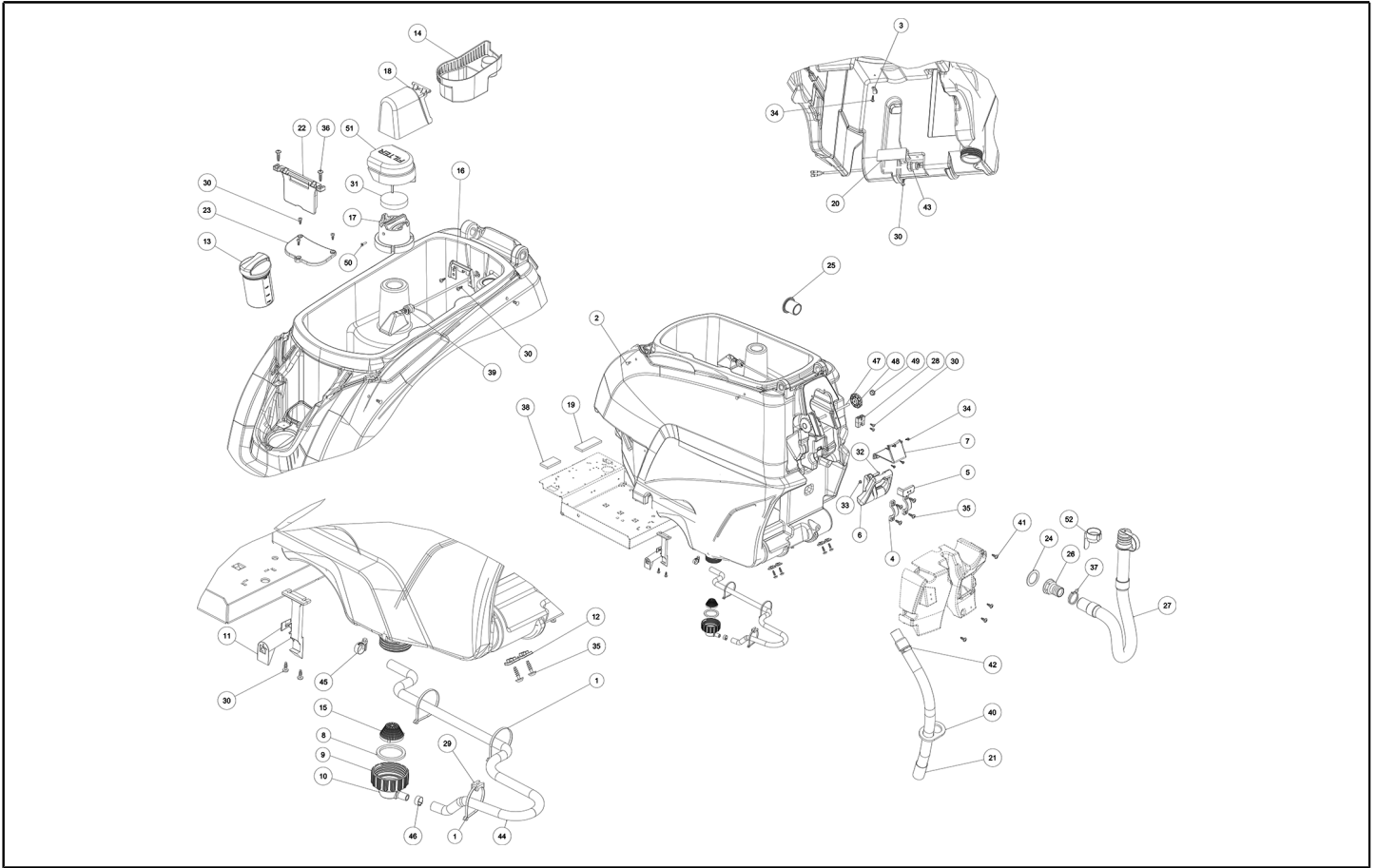
Ref. K	Part N.	Part N. 2	Description	Quantity	Validity		Price
					From	To	
0001	MECE00786	MECE00786	PANEL, TRACTION COMPELTE	1,00			--
0002	MPVR06501	MPVR06501	SPACER	5,00			--
0003	LAFN01298	LAFN01298	SPACER PLASTIC 10X5.5X15	3,00			--
0004	MPVR11447	MPVR11447	COVER, CONTROLLER	1,00			--
0005	MPVR11448	MPVR11448	COVER, FUSE, BOX, PLSTC	1,00			--
0006	MEVR01153	MEVR01153	FUSE, REMOVAL, TOOL	1,00			--
0007	VTRS00516	VTRS00516	WASHER D. 5 INX	8,00			--
0008	VTDD00209	VTDD00209	NUT, HEX, THIN, M5, UNI5589	8,00			--
0009	MEVR02105	MEVR02105	FUSE 50A OMEGA FT3050	1,00			--
0010	MEVR02104	MEVR02104	FUSE 30A OMEGA FT3030	2,00			--
0011	MEVR00565	MEVR00565	FUSE 5A	1,00			--
0012	MEVR00563	MEVR00563	FUSE, 1A	1,00			--



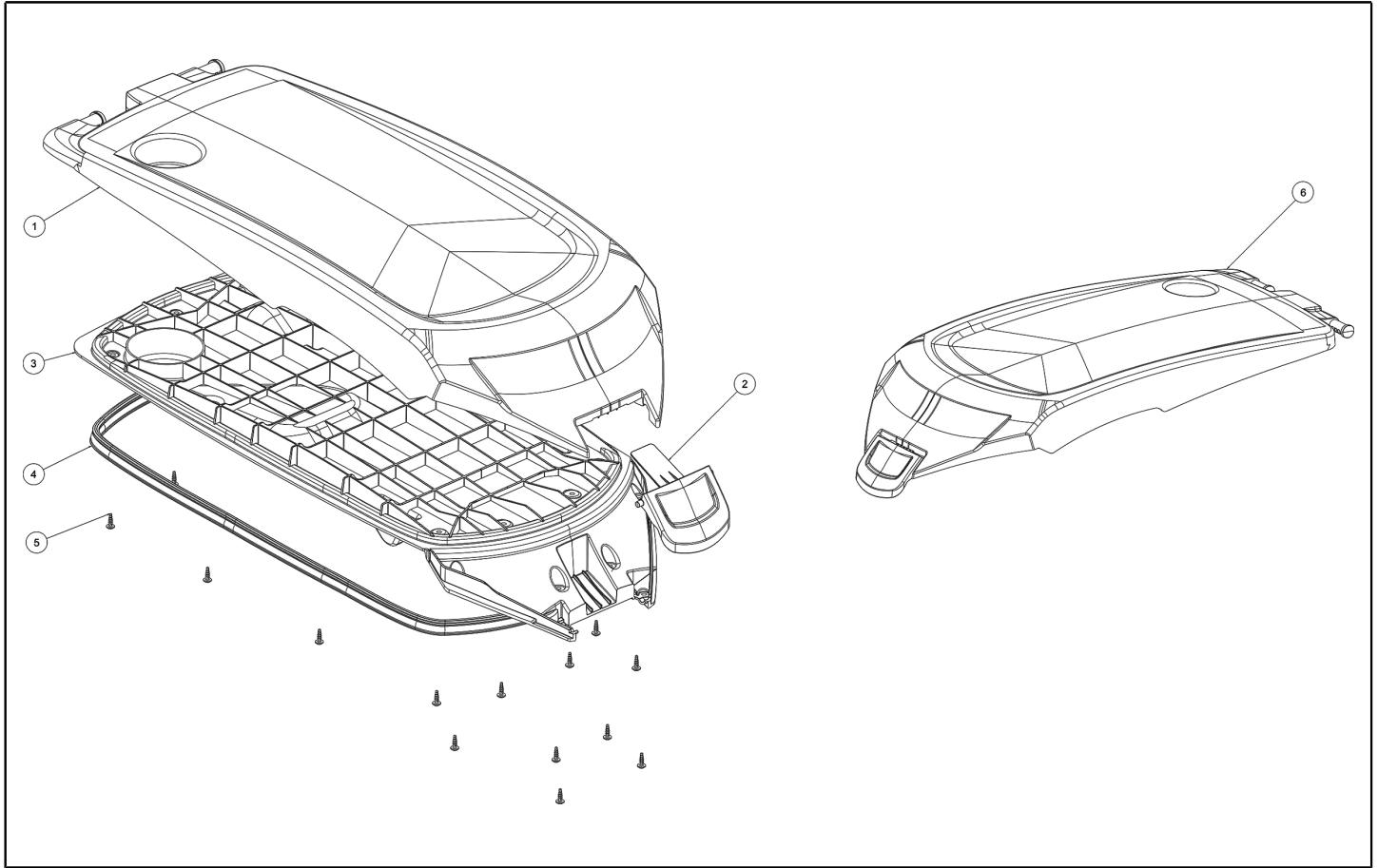
Ref. K	Part N.	Part N. 2	Description	Quantity	Validity		Price
					From	To	
0001	FSVR00049	FSVR00049	TIE, CABLE, 4.5X200, BLK	2,00			--
0002	RCVR00483	RCVR00483	FITTING, T	1,00			--
0003	TBFX01215	TBFX01215	TUBE, D.30X12X17	1,00			--
0004	TBBP00120	TBBP00120	TUBE TRANSPARENT 16MM METALFLE	1,02			--
0005	LAFN11229	LAFN11229	BRACKET, LEVEL, TUBE	1,00			--
0006	MPVR05280	MPVR05280	CLIP M25	2,00			--
0007	VTVT17720	VTVT17720	SCREW, SOC, M5X16, SS	2,00			--
0008	VTRS00516	VTRS00516	WASHER D. 5 INX	2,00			--
0009	VTDD01693	VTDD01693	NUT, HEX, M5, SS	2,00			--
0010	FSVR00261	FSVR00261	CLAMP, HOSE	2,00			--
0011	RCVR00590	RCVR00590	TAP CLEAN WATER DRAIN HOSE	1,00			--
0012	GUGO00268	GUGO00268	GASKET D.21 SP.3 GOMMA	1,00			--
0013	RCVR00353	RCVR00353	CAP 1/2G X ELETTROV. ACL	1,00			--
0014	FSVR00256	FSVR00256	CLAMP	2,00			--



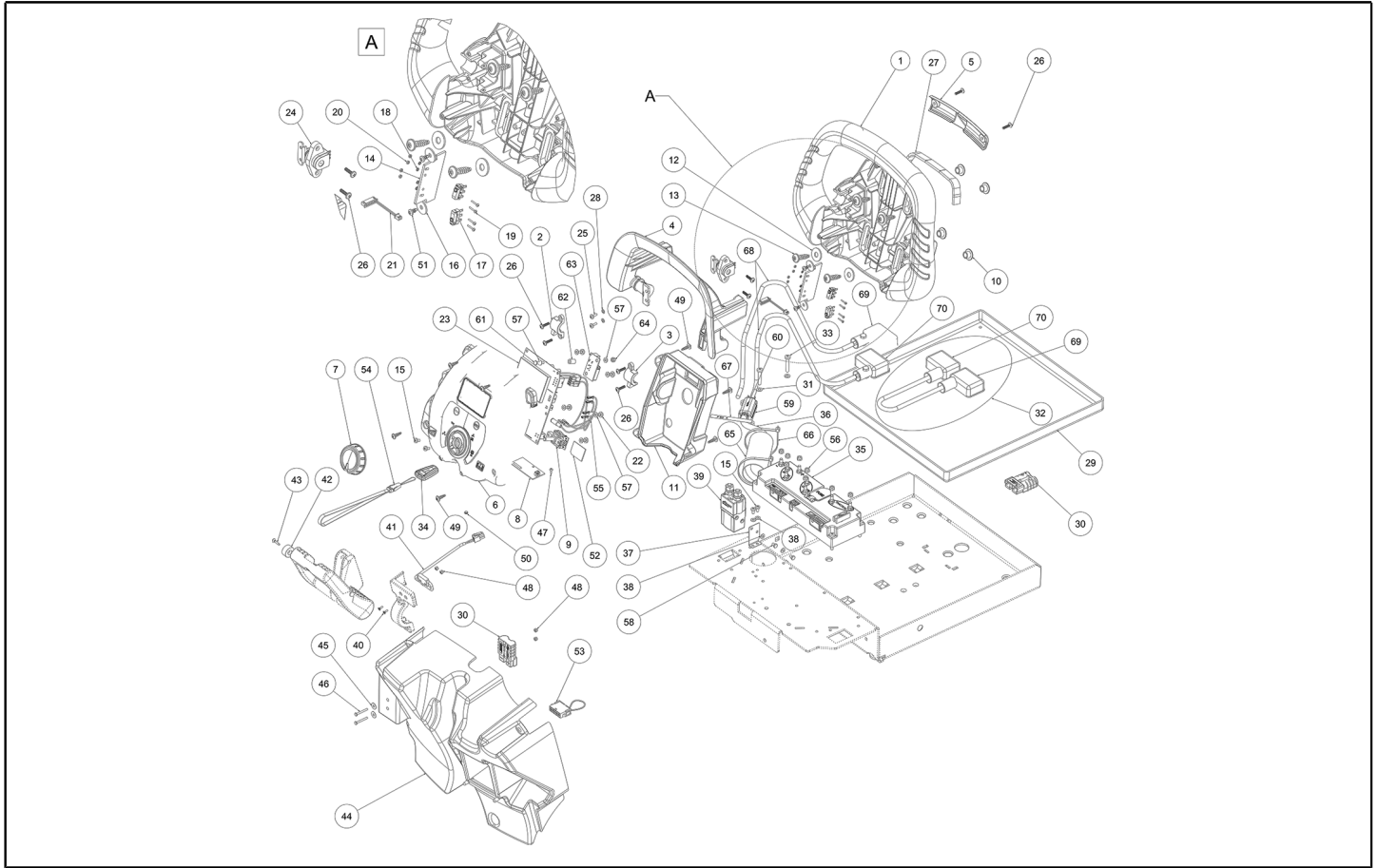
Ref. K	Part N.	Part N. 2	Description	Quantity	Validity		Price
					From	To	
0001	FSVR00049	FSVR00049	TIE, CABLE, 4.5X200, BLK	3,00			--
0002	MPVR11355	MPVR11355	CLIP	2,00		30/08/2021	--
0002	MPVR06403	MPVR06403	CAP. TANK, RECVY [T291,T391]	2,00	31/08/2021		--
0003	MPVR02933	MPVR02933	BLOCKAGE TUBE D9,5	1,00			--
0004	MPVR06470	MPVR06470	CLAMP, 41B	1,00			--
0005	MPVR10564	MPVR10564	CLAMP, HANDLE	1,00			--
0006	MPVR13036	MPVR13036	LEVER, SQGE, LIFT	1,00			--
0007	MPVR13212	MPVR13212	COVER, DASHBOARD [T392,T391]	1,00			--
0008	GUGO00478	GUGO00478	GASKET, SOLTN, FLTR	1,00			--
0009	MPVR06561	MPVR06561	CAP, SOLTN, TANK	1,00			--
0010	MPVR10566	MPVR10566	FITTING, HOSE, SOLTN	1,00			--
0011	MPVR06475	MPVR06475	LEVER, TANK, LOCKING	1,00			--
0012	MPVR10562	MPVR10562	GUARD, TANK	4,00			--
0013	MPVR11497	MPVR11497	CAP SOLUTION TANK	1,00			--
0014	MPVR06490	MPVR06490	TRAY, DEBRIS, TANK, RECVY	1,00			--
0015	MPVR10565	MPVR10565	STRAINER, SOLTN, TANK	1,00			--
0016	MPVR10576	MPVR10576	SUPPORT	1,00			--
0017	MPVR11676	MPVR11676	SUPPORT, FLTR	1,00			--
0018	MPVR06560	MPVR06560	DEFLECTOR, TRAY, DEBRIS	1,00			--
0019	MPVR11766	MPVR11766	TAPE, 110X40X8.5	1,00			--
0020	LAFN11043	LAFN11043	BRACKET, TANK	1,00			--
0021	TBFX00353	TBFX00353	HOSE ASSY, RECVY, TANK	1,00			--
0022	MPVR13045	MPVR13045	SUPPORT, LATCH, COVER	1,00			--
0023	MPVR13046	MPVR13046	COVER	1,00			--
0024	GUGO00216	GUGO00216	GASKET, TANK, DRAIN, HOSE, CUFF	1,00			--
0025	RCVR00339	RCVR00339	CONNECTOR	1,00			--
0026	RCVR01103	RCVR01103	CONNECTOR	1,00			--
0027	TBFX01069	TBFX01069	HOSE ASSY, DRAIN, RECVY, TANK	1,00			--
0028	MPVR11684	MPVR11684	MOUNT, HOSE, DRAIN	1,00			--
0029	MPVR10765	MPVR10765	CLAMP, SPPT	1,00			--
0030	VTVT01073	VTVT01073	SCREW, PAN, TORX, 6X16, FMG, KN1039	10,00			--
0031	FTDP00678	FTDP00678	FILTER, VACUUM, MOTOR	1,00			--
0032	VTVT01714	VTVT01714	SCREW, PAN, SOC, M6X30	1,00			--
0033	VTDD01694	VTDD01694	NUT, HEX, LOCK, M6, SS, DIN985	1,00			--
0034	VTVT01072	VTVT01072	SCREW, PAN, TORX, 5X16, FMG, KN1038	5,00			--
0035	VTVT01427	VTVT01427	SCREW PAN TORX 8X25	8,00			--
0036	VTVT01429	VTVT01429	SCREW, PAN, TORX, 8X30, FMG, KN1038	2,00			--
0037	FSVR00262	FSVR00262	CLAMP	1,00			--
0038	MPVR11767	MPVR11767	TAPE, 75X40X8.5	1,00			--
0039	MECI00662	MECI00662	SENSOR, LEVEL, LIQ	1,00	21/06/2018		--
0040	MPVR04659	MPVR04659	GUIDE, HOSE	1,00			--
0041	VTVT01430	VTVT01430	SCREW, PAN, TORX, 8X22, FMG, KN1038	4,00			--
0042	MPVR06119	MPVR06119	HOSE, COLLAR, YEL	1,00			--
0043	MECI00592	MECI00592	SENSOR, LEVEL, LIQ	1,00			--



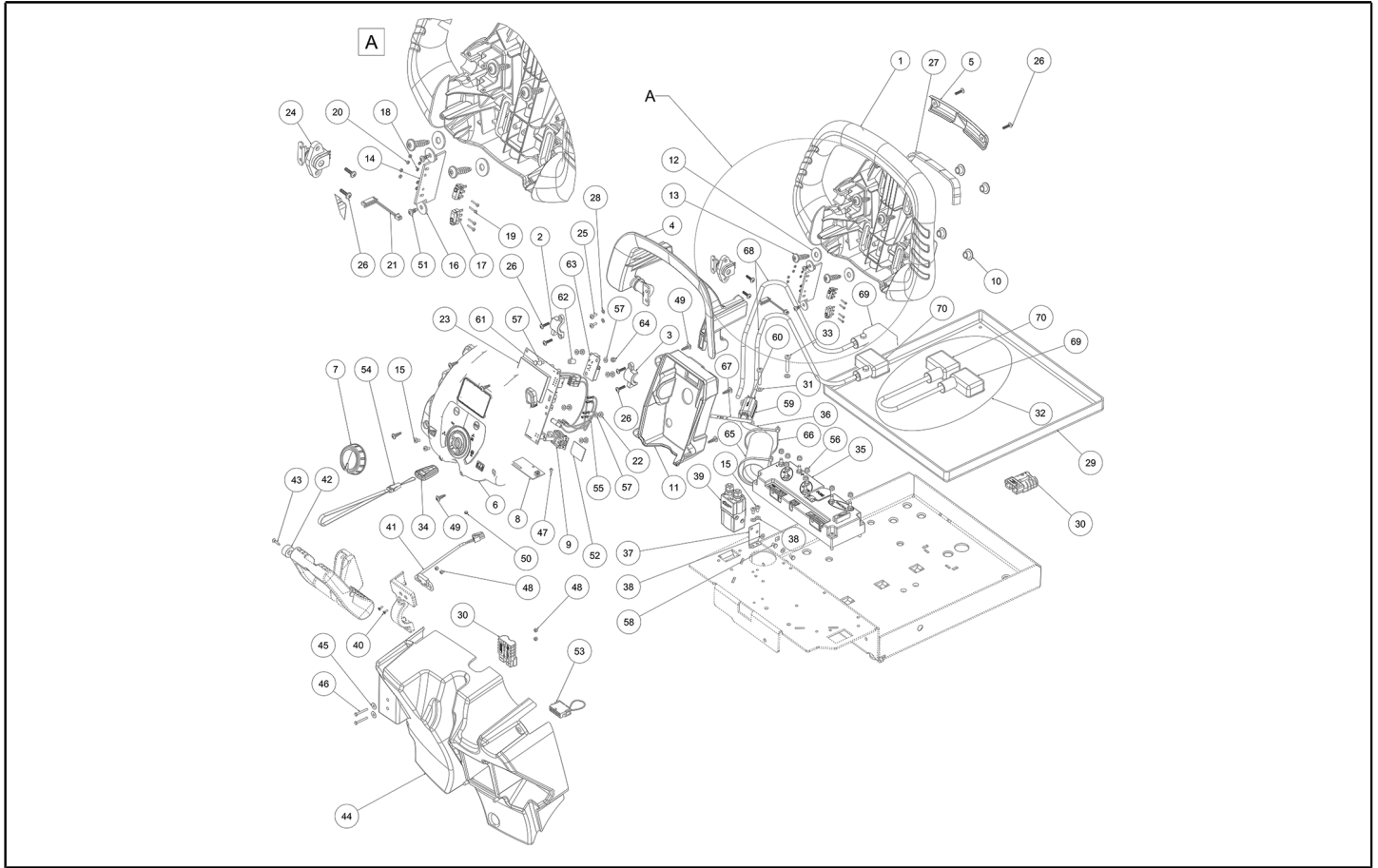
Ref. K	Part N.	Part N. 2	Description	Quantity	Validity		Price
					From	To	
0044	TBFX48011	TBFX48011	TUBE FLEX D.12X3 ARMORV.PVC TR	1,00			--
0045	FSVR00428	FSVR00428	CLAMP D. 12-20 OBS. REP. BY 897362	1,00			--
0046	FSVR00261	FSVR00261	CLAMP, HOSE	1,00			--
0047	VTVR01001	VTVR01001	ROD, THRD, FULL, M8 X 175MM	1,00			--
0048	KTRI05357	KTRI05357	KNOB, ADJMT	1,00			--
0049	KTRI05357	KTRI05357	KNOB, ADJMT	1,00			--
0050	VTVT00835	VTVT00835	SCREW, 4.5-20, SS, DIN 7505-A	1,00			--
0051	MPVR11641	MPVR11641	COVER, FLTR	1,00			--
0052	MPVR01097	MPVR01097	CLIP, HOSE, DRAIN	1,00			--



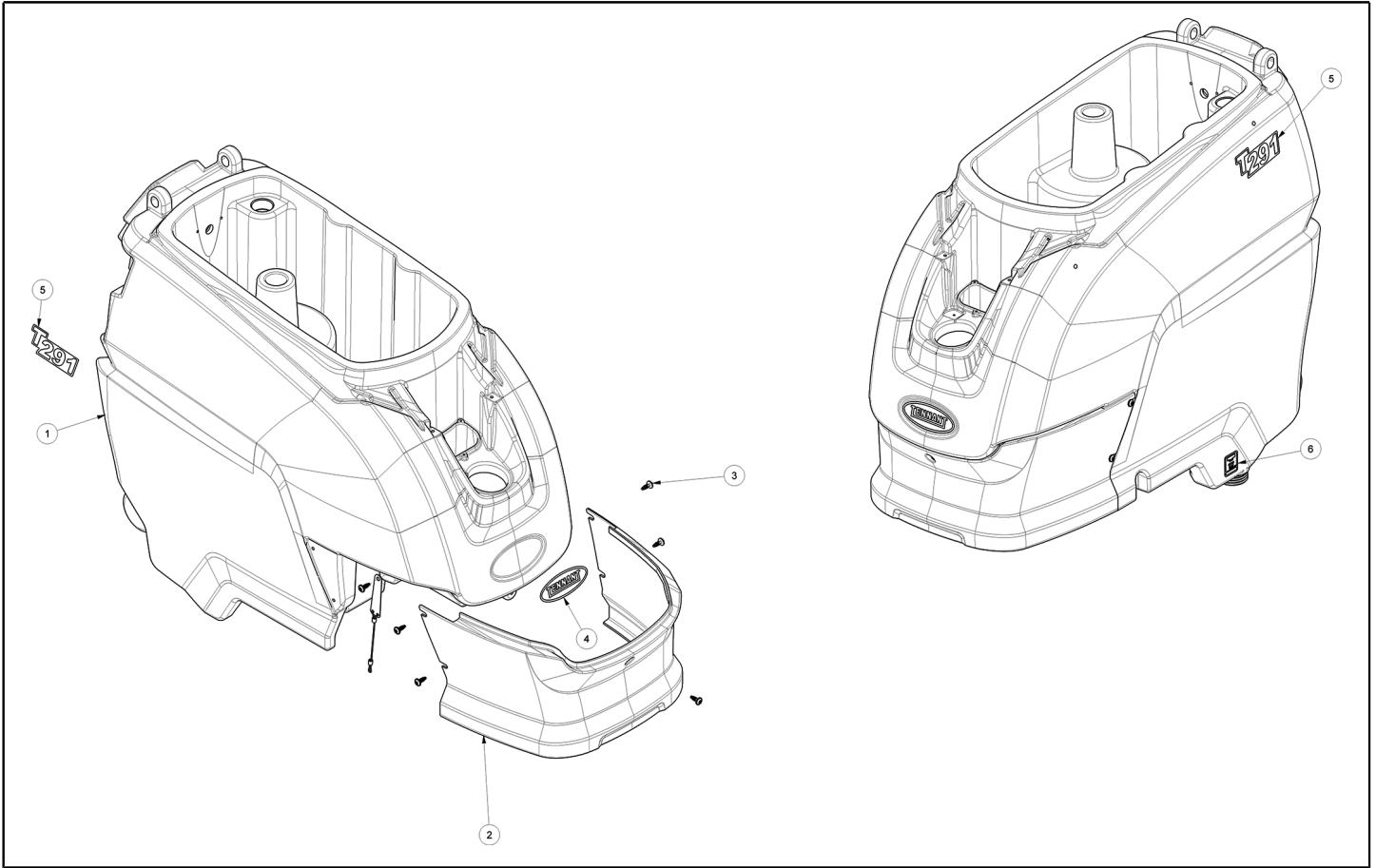
Ref. K	Part N.	Part N. 2	Description	Quantity	Validity		Price
					From	To	
0001	MPVR13035	MPVR13035	COVER, RECVY, TANK, TOP	1,00			--
0002	MPVR12967	MPVR12967	LATCH, COVER	1,00			--
0003	MPVR13047	MPVR13047	COVER, RECVY, TANK, BOTTOM	1,00			--
0004	GUVR01019	GUVR01019	GASKET, RECVY, TANK, LID	1,00			--
0005	VTVT01072	VTVT01072	SCREW, PAN, TORX, 5X16, FMG, KN1038	17,00			--
0006	KTRI06346	KTRI06346	COVER ASSY, RECVY, TANK	1,00			--



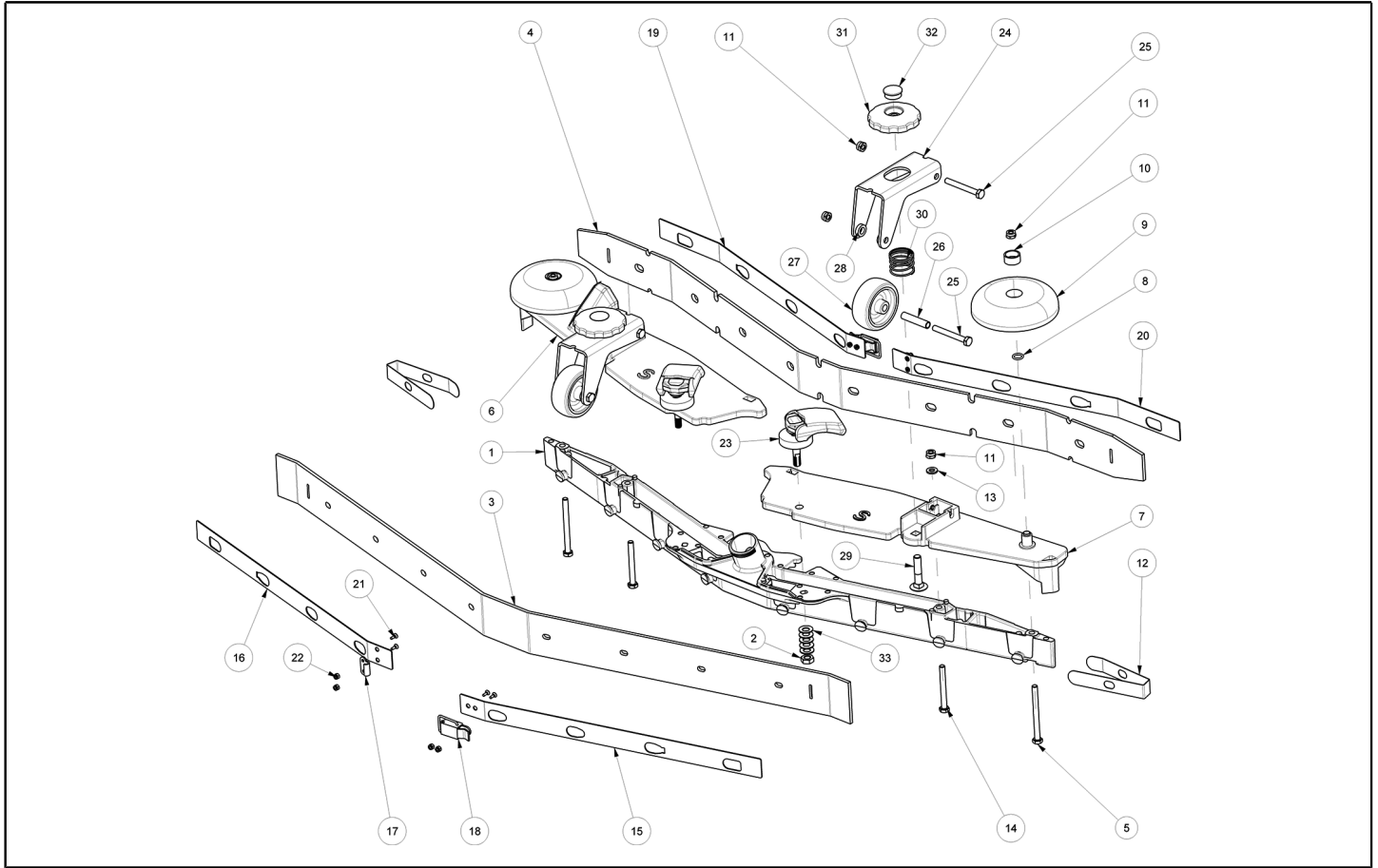
Ref. K	Part N.	Part N. 2	Description	Quantity	Validity		Price
					From	To	
0001	MPVR13039	MPVR13039	HANDLE, HSNQ, CNTRL	1,00			--
0002	MPVR06528	MPVR06528	CLAMP, BAIL, LH	1,00			--
0003	MPVR07177	MPVR07177	CLAMP, BAIL, RH	1,00			--
0004	MPVR06526	MPVR06526	HANDLE, BAIL	1,00			--
0005	MPVR13040	MPVR13040	COVER, HANDLE	1,00			--
0006	MPVR13041	MPVR13041	HOUSING, CNTRL, TOP	1,00		09/04/2024	--
0006	MPVR13754	MPVR13754	HOUSING, CNTRL, TOP, GRY [T291,T391]	1,00	10/04/2024		--
0007	MPVR13038	MPVR13038	KNOB, BLK, SELECTOR	1,00			--
0008	MECE00804	MECE00804	CONTROLLER, KEY	1,00			--
0009	MECI00587	MECI00587	SWITCH, ROTARY	1,00			--
0010	LAFN10998	LAFN10998	BUSHING, FLNG, 8.3B 12D 9.7	4,00			--
0011	MPVR11640	MPVR11640	COVER, CONTROLLER	1,00			--
0012	VTRS13946	VTRS13946	WASHER D. 8 X24 INX UNI 6593	4,00			--
0013	VTVT01429	VTVT01429	SCREW, PAN, TORX, 8X30, FMG, KN1038	4,00			--
0014	MPVR11198	MPVR11198	SPACER	1,00			--
0015	VTVT00813	VTVT00813	SCREW M 4X 8 TCB-TC UNI 8112	4,00			--
0016	VTRS00291	VTRS00291	WASHER, FLAT, 20D 5B, UNI6593	2,00			--
0017	MECI00588	MECI00588	SWITCH, MICRO	2,00			--
0018	VTRS00581	VTRS00581	WASHER, 2D	4,00			--
0019	VTVT01592	VTVT01592	SCREW, M2X12	4,00			--
0020	VTDD00213	VTDD00213	NUT, HEX, M2	4,00			--
0021	MECB02058	MECB02058	HARNES	1,00			--
0022	VTVT01694	VTVT01694	SCREW SELF TAPPING 4.8X9.5 SUS	5,00			--
0023	MECE00810	MECE00810	CIRCUITBOARD, DISPLAY	1,00			--
0024	MEVR02389	MEVR02389	POTENTIOMETER, 45DEG	1,00			--
0025	VTVT37012	VTVT37012	SCREW M 4X 10 TCB-TC INX	2,00			--
0026	VTVT01071	VTVT01071	SCREW STS KN1031-Neu 4x16 - H2	8,00			--
0027	MPVR10772	MPVR10772	GASKET, 4X15, 190L	1,00			--
0028	VTRS15913	VTRS15913	WASHER, GROVER, D.4, SS, UNI1751	2,00			--
0029	LAFN35588	LAFN35588	PORTABATTERY CT LINE	1,00			--
0030	MEVR01079	897298	CONNECTOR, M CB50, 050A, 600V, RED	1,00			--
0031	VTRS00516	VTRS00516	WASHER D. 5 INX	4,00			--
0032	MEVR34820	MEVR34820	WIRING BATTERY BRIDGE W/TERMINAL	1,00			--
0033	VTVT01440	VTVT01440	SCREW	4,00			--
0034	MEVR02642	MEVR02642	KEY	2,00		06/09/2022	--
0034	MEVR02641	MEVR02641	KEY	2,00	07/09/2022	09/04/2024	--
0034	MEVR02964	MEVR02964	KEY CHIP, CT 51 B	2,00	10/04/2024		--
0035	MECE00786	MECE00786	PANEL, TRACTION COMPELTE	1,00			--
0036	MECB01919	MECB01919	HARNES, MAIN [T291/T391]	1,00			--
0037	LAFN11075	LAFN11075	BRACKET, CONTACTOR	1,00			--
0038	VTRS00515	VTRS00515	WASHER D. 4 INX	4,00			--
0039	METT00085	METT00085	CONTACTOR 100A	1,00			--
0040	VTVT01070	VTVT01070	SCREW TSTC M3X8	2,00			--
0041	MECI00626	MECI00626	SENSOR, SQGE	1,00			--



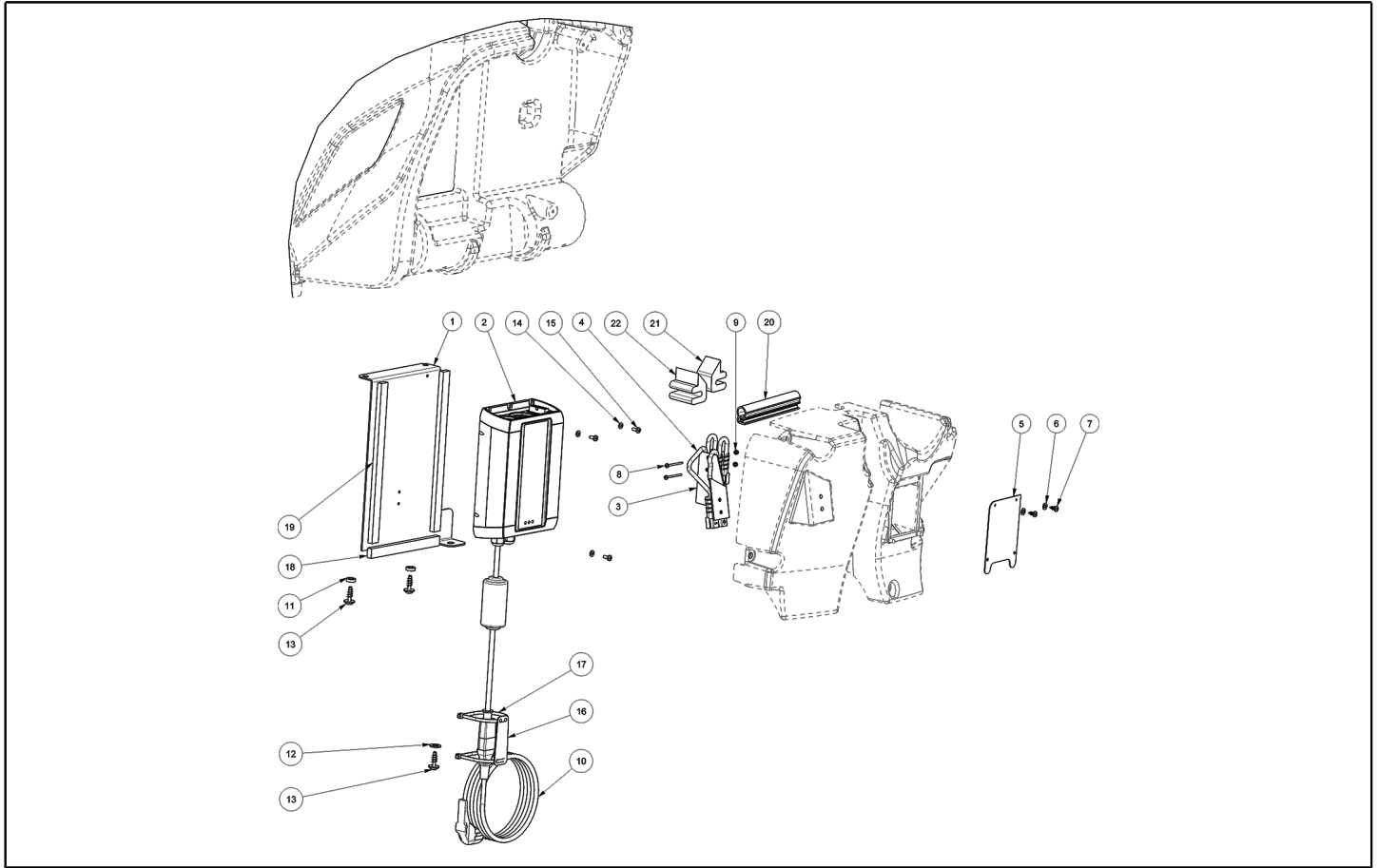
Ref. K	Part N.	Part N. 2	Description	Quantity	Validity		Price
					From	To	
0042	MEVR02381	MEVR02381	LEVER, MAGNET, SQGE	1,00			--
0043	VTVT17357	VTVT17357	SCREW, FLT, PHL, 3.9X16, UNI6955	1,00			--
0044	MPVR13037	MPVR13037	COVER	1,00			--
0045	VTRS00017	VTRS00017	WASHER, 12D 4B, SS	2,00			--
0046	VTVT00021	VTVT00021	SCREW, HEX, M3X25, UNI5739	2,00			--
0047	VTVT00522	VTVT00522	SCREW, PAN, PHL, 2.9X9.5, UNI6954	1,00			--
0048	VTDD00210	VTDD00210	NUT M 3 AUTOBL.DIN 985 IX.A2	4,00			--
0049	VTVT01072	VTVT01072	SCREW, PAN, TORX, 5X16, FMG, KN1038	4,00			--
0050	MPVR10701	MPVR10701	KEY, HOLDER, RUBBER	1,00			--
0051	VTVT48694	VTVT48694	SCREW, M5X12, UNI9707	2,00			--
0052	MEVR02562	N/A	SD-CARD -	1,00			--
0053	MECB01981	MECB01981	HARNESS, BRIDGE, W/O CHRGR	1,00			--
0054	MPVR11496	MPVR11496	STRAP, KEY	1,00			--
0055	MECB02017	MECB02017	HARNESS, DISPLAY, CIRCUITBOARD	1,00			--
0056	VTDD01693	VTDD01693	NUT, HEX, M5, SS	8,00			--
0057	VTRS00570	VTRS00570	WASHER	5,00			--
0058	VTVT01669	VTVT01669	SCREW, HEX, M4X6, UNI5739	2,00			--
0059	MEVR02907	MEVR02907	HOUSING, FUSE	1,00			--
0060	MEVR00604	MEVR00604	FUSE	1,00			--
0061	VTVT00814	897155	SCREW, M4X25	1,00	07/06/2021		--
0062	MPVR13118	MPVR13118	SPACER, 4.2MMID 8MMOD 12MML	1,00	07/06/2021		--
0063	MECE00877	MECE00877	CONTROLLER, TRACTION INHIBIT [T391-T291]	1,00	07/06/2021		--
0064	VTDD00055	VTDD00055	NUT M 4 ATB A2	1,00	07/06/2021		--
0065	MEVR02659	MEVR02659	SLEEVE, MAIN HARNESS [T291,T391]	1,00	07/06/2021		--
0066	FSVR00049	FSVR00049	TIE, CABLE, 4.5X200, BLK	2,00	07/06/2021		--
0067	ETET17157	ETET17157	LABEL, BRACKET, WCM [T291]	1,00	07/06/2021		--
0068	MECB02378	MECB02378	WIRING, BATTERY W/FUSE [T291/T391]	1,00	18/09/2023		--
0069	MEVR01425	MEVR01425	BACK PVC NEGATIVE TERMINAL COVER ATY292	2,00			--
0070	MEVR01424	MEVR01424	RED PVC TERMINAL COVER ART 290	2,00			--



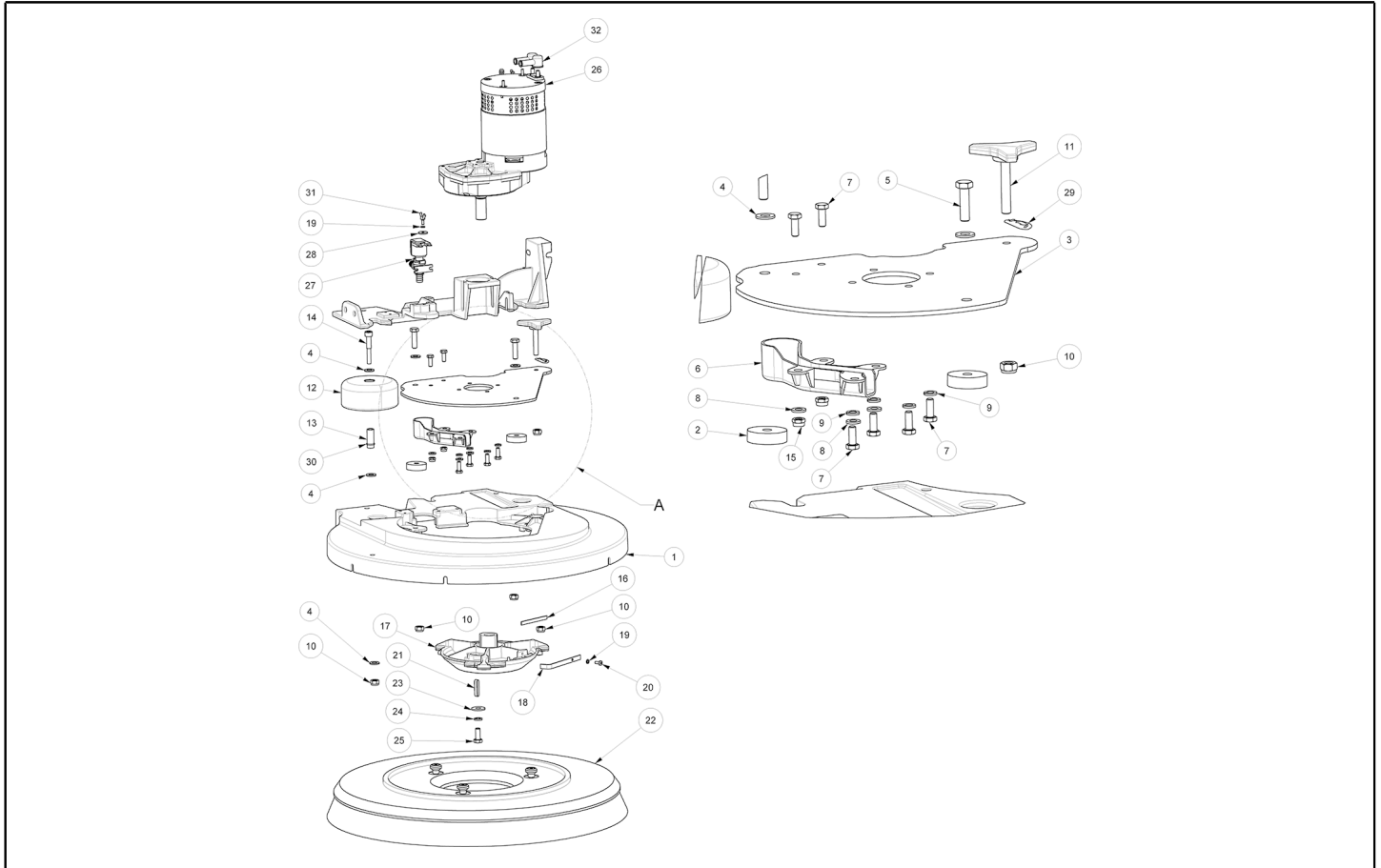
Ref. K	Part N.	Part N. 2	Description	Quantity	Validity		Price
					From	To	
0001	MPVR12965	MPVR12965	TANK [T291]	1,00			--
0002	MPVR12966	MPVR12966	COVER, HEAD, BRUSH	1,00			--
0003	VTVT01430	VTVT01430	SCREW, PAN, TORX, 8X22, FMG, KN1038	4,00			--
0004	ETET17069	ETET17069	LABEL, TENNANT	1,00			--
0005	ETET17082	ETET17082	LABEL [T291]	2,00			--
0006	ETET17084	ETET17084	LABEL, FILTER [T291,T391]	1,00			--



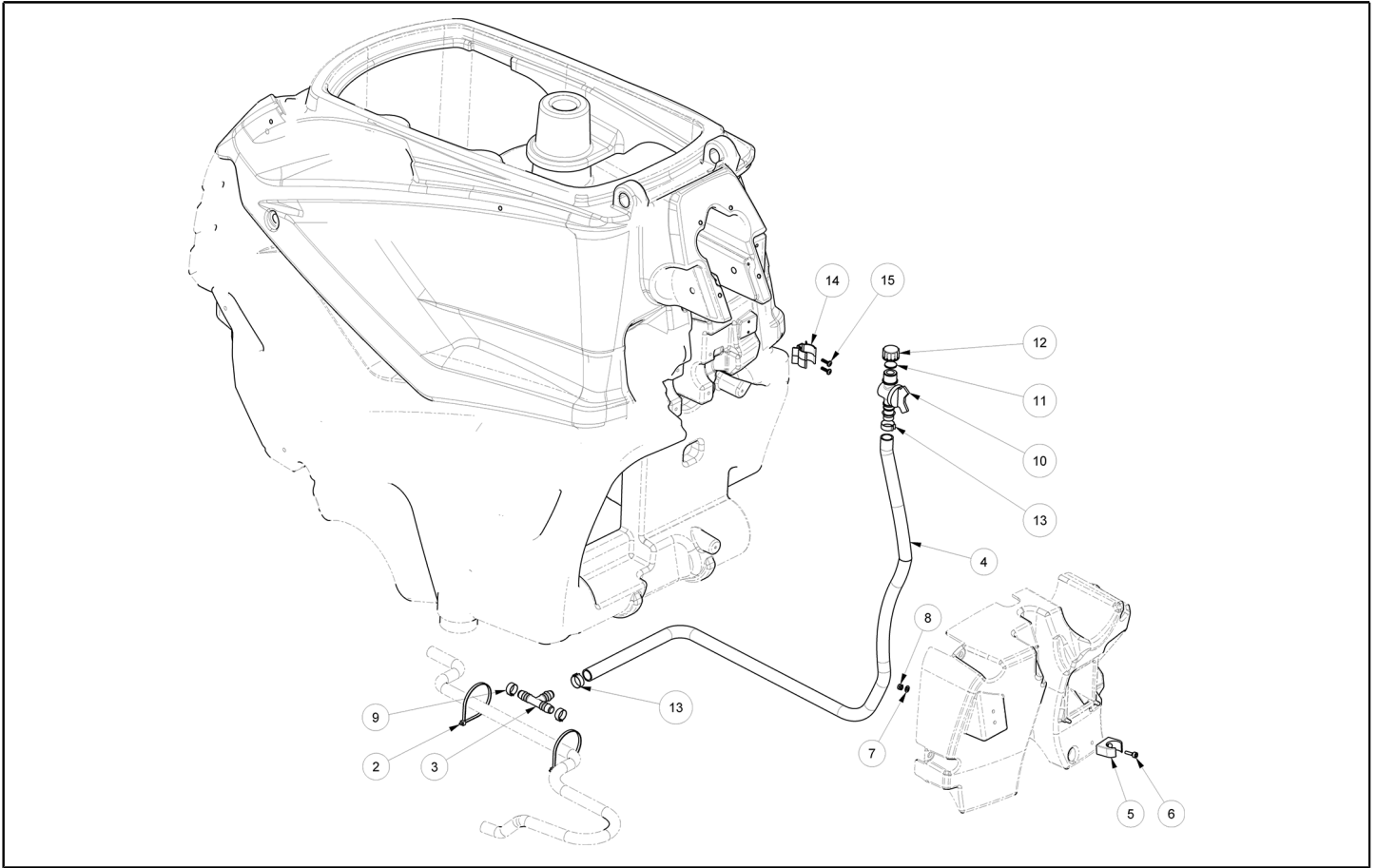
Ref. K	Part N.	Part N. 2	Description	Quantity	Validity		Price
					From	To	
0001	MFVR00319	MFVR00319	FRAME, SQGE	1,00			--
0002	VTDD00530	VTDD00530	NUT, HEX, THIN, M8, UNI5589	2,00			--
0003	MPVR06544	MPVR06544	BLADE SQUEEGEE LINATEX REAR S	1,00			--
0004	MPVR06543	MPVR06543	BLADE SQUEEGEE LINATEX FRONT S	1,00			--
0005	VTVT00699	VTVT00699	SCREW, HEX, M6X70	2,00			--
0006	MPVR06491	MPVR06491	PLATE	1,00			--
0007	MPVR06492	MPVR06492	PLATE	1,00			--
0008	GUGO00164	897102	GASKET	2,00			--
0009	MPVR05290	MPVR05290	ROLLER SIDE BUMPER WHEEL	2,00			--
0010	MPVR49229	MPVR49229	BUSHING SHK	2,00			--
0011	VTDD01694	VTDD01694	NUT, HEX, LOCK, M6, SS, DIN985	8,00			--
0012	MPVR05897	MPVR05897	CLOSURE S	2,00			--
0013	VTRS00245	VTRS00245	WASHER D.6 UNI 6592 INOX	2,00			--
0014	VTVT00655	VTVT00655	SCREW TE M. 6-55	2,00			--
0015	LAFN09281	LAFN09281	SHEET METAL PA. -	1,00			--
0016	LAFN09283	LAFN09283	BLADE HOLDER S SIZE POST. LEFT	1,00			--
0017	LAFN09301	LAFN09301	SOCKET - LATCH	2,00			--
0018	LAFN09302	LAFN09302	CLOSURE -	2,00			--
0019	LAFN09280	LAFN09280	SHEET METAL PA. -	1,00			--
0020	LAFN09279	LAFN09279	BLADE HOLDER S SIZE ANT. RIGHT	1,00			--
0021	VTVT01070	VTVT01070	SCREW TSTC M3X8	8,00			--
0022	VTDD00210	VTDD00210	NUT M 3 AUTOBL.DIN 985 IX.A2	8,00			--
0023	PMVR06995	PMVR06995	HOOKING SQUEEGEE CT51-71	2,00			--
0024	LAFN09471	LAFN09471	BRACKET, CASTER, WHEEL	2,00			--
0025	VTVT15515	VTVT15515	SCREW TE M 6X 50 INOX A2	4,00			--
0026	LAFN07534	LAFN07534	SLEEVE, 6.1B 8D 37.5	2,00			--
0027	RTRT00398	RTRT00398	WHEEL D.60 HOLE 8	2,00			--
0028	VTRS00383	VTRS00383	WASHER	4,00			--
0029	VTVT01304	VTVT01304	SCREW, M8X40	2,00			--
0030	MLML00473	MLML00473	SPRING, CMPR, 26.8D 2.2WIR 40L	2,00			--
0031	KTRI05357	KTRI05357	KNOB, ADJMT	2,00			--
0032	KTRI05357	KTRI05357	KNOB, ADJMT	2,00			--
0033	MLML00493	MLML00493	WASHER, FLAT, BELLEVILLE, 8B 16D,DIN2093	10,00	14/12/2017		--



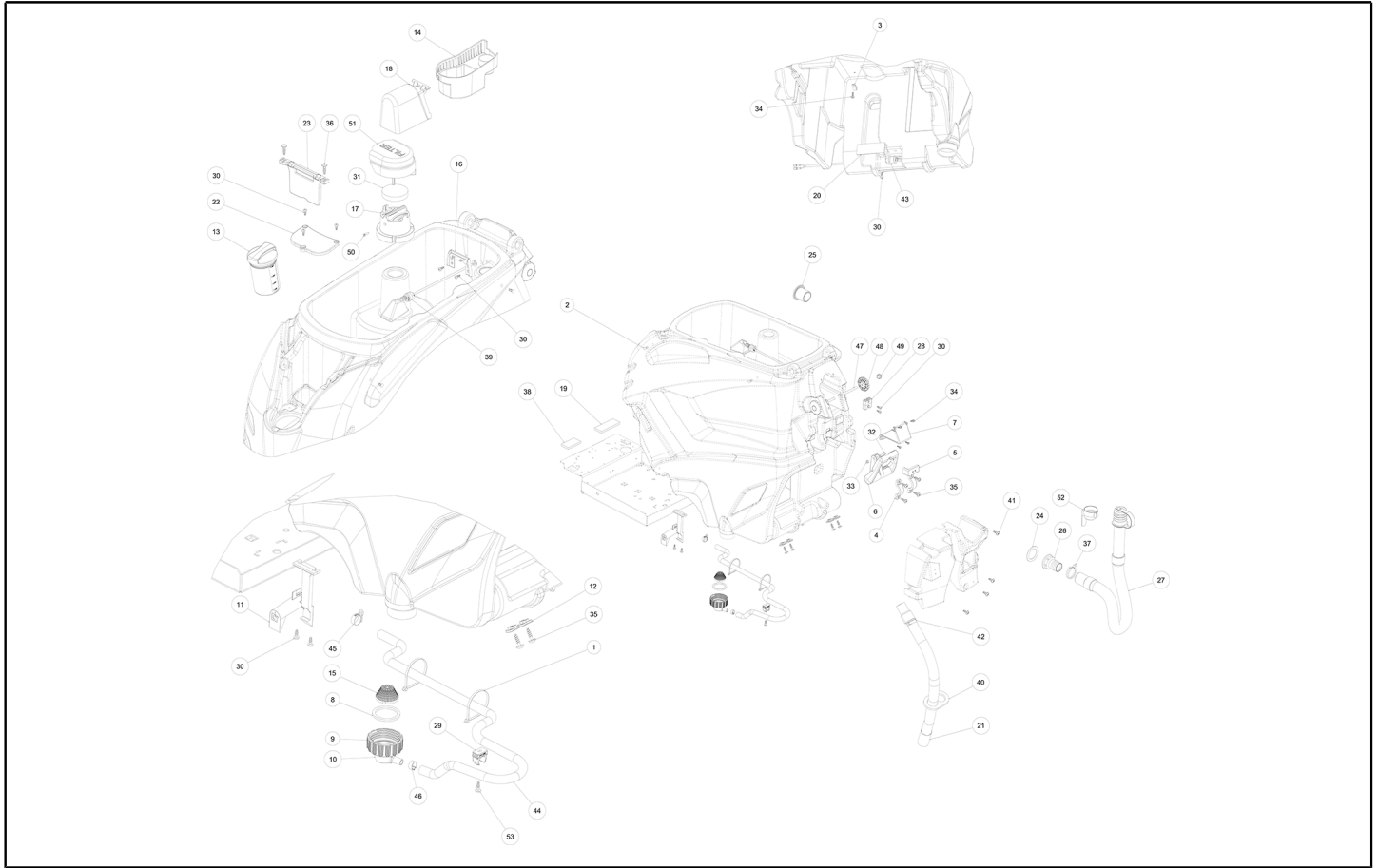
Ref. K	Part N.	Part N. 2	Description	Quantity	Validity		Price
					From	To	
0001	LAFN08235	LAFN08235	PLATE, CHARGER	1,00			--
0002	BACA00190	BACA00190	CHARGER, BATTERY, 24V	1,00			--
0003	LAFN11046	LAFN11046	BRACKET, CHRGR	1,00			--
0004	MECB01964	MECB01964	CABLE ASSY, CHRGR, BATTERY	1,00			--
0005	MPVR10745	MPVR10745	COVER, POWER, CORD, CLR	1,00			--
0006	VTRS00516	VTRS00516	WASHER D. 5 INX	2,00			--
0007	VTVT48694	VTVT48694	SCREW, M5X12, UNI9707	2,00			--
0008	VTVT00691	VTVT00691	SCREW, PAN, PHL, M3X35, DIN7985 A/2	2,00			--
0009	VTDD00210	VTDD00210	NUT M 3 AUTOBL.DIN 985 IX.A2	2,00			--
0010	MECB02065	MECB02065	CORD, POWER CHRGR ANZ	1,00			--
0011	VTRS00383	VTRS00383	WASHER	2,00			--
0012	VTRS13947	VTRS13947	WASHER D. 8 INX UNI 6592	1,00			--
0013	VTVT01430	VTVT01430	SCREW, PAN, TORX, 8X22, FMG, KN1038	3,00			--
0014	VTRS00515	VTRS00515	WASHER D. 4 INX	3,00			--
0015	VTVT21887	VTVT21887	SCREW TCB-TC 4X10 8112	3,00			--
0016	MPVR11197	MPVR11197	PLATE, POWER, CORD, HOLDER	1,00			--
0017	FSVR00049	FSVR00049	TIE, CABLE, 4.5X200, BLK	2,00			--
0018	GUGO00589	GUGO00589	GASKET	1,00			--
0019	GUGO00590	GUGO00590	GASKET	2,00			--
0020	GUVR00624	GUVR00624	GASKET, 0.12M	1,00			--
0021	GUGO00803	N/A	GASKET L=0,03MT	1,00			--
0022	GUGO00804	N/A	GASKET L=0,045MT	1,00			--



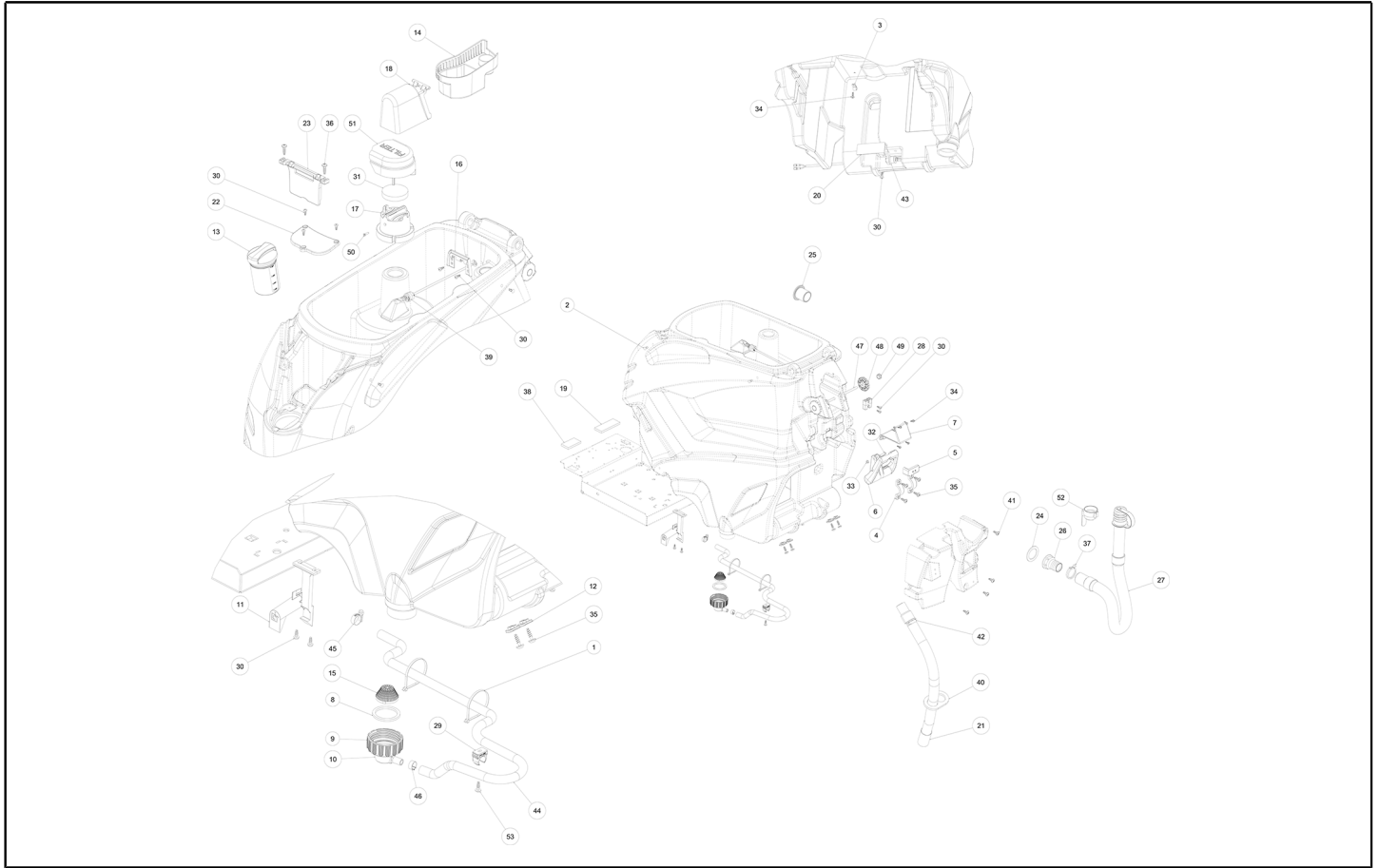
Ref. K	Part N.	Part N. 2	Description	Quantity	Validity		Price
					From	To	
0001	MFVR00238	SPPV00143	PAD HOLDER 85	1,00			--
0002	GUVR01012	GUVR01012	WASHER, 8B 35D	2,00			--
0003	LAFN09424	LAFN09424	PLATE	1,00			--
0004	VTRS13947	VTRS13947	WASHER D. 8 INX UNI 6592	5,00			--
0005	VTVT01050	VTVT01050	SCREW TE M 8X30 INX UNI 5737	2,00			--
0006	MPVR06503	MPVR06503	DUCT, WATER	1,00			--
0007	VTVT15143	VTVT15143	SCREW TE 6X16 UNI5739	6,00			--
0008	VTRS00245	VTRS00245	WASHER D.6 UNI 6592 INOX	4,00			--
0009	VTRS15144	VTRS15144	WASHER D. 6 INX GRW UNI 1751	4,00			--
0010	VTDD01701	VTDD01701	NUT, HEX, M8, SS	5,00			--
0011	MPVR10568	MPVR10568	KNOB, STAR, 65D M8X50	1,00			--
0012	RTRT00510	RTRT00510	WHEEL, BMPR	1,00			--
0013	LAFN11995	LAFN11995	SPACER, 9B 12D 33L	1,00			--
0014	VTVT09650	VTVT09650	SCREW, SOC, M8X50, UNI5931	1,00			--
0015	VTDD01694	VTDD01694	NUT, HEX, LOCK, M6, SS, DIN985	2,00			--
0016	MLML00470	MLML00470	SPRING	1,00			--
0017	MFVR00327	MFVR00327	HUB, DRIVE, DISC	1,00			--
0018	MLML00350	MLML00350	SPRING	1,00			--
0019	VTRS15913	VTRS15913	WASHER, GROVER, D.4, SS, UNI1751	2,00			--
0020	VTVT21887	VTVT21887	SCREW TCB-TC 4X10 8112	1,00			--
0021	VTVR16617	VTVR16617	KEY, 6X6X30, UNI6604	1,00			--
0022	SPPV01352	SPPV01352	BRUSH D 530	1,00			--
0023	VTRS13946	VTRS13946	WASHER D. 8 X24 INX UNI 6593	1,00			--
0024	VTRS15146	VTRS15146	WASHER GROVER A2 UNI1751	1,00			--
0025	VTVT13938	VTVT13938	SCREW TE 8X20 UNI5739 INX	1,00			--
0026	MOCC00449	MOCC00449	MOTOR, BRUSH	1,00			--
0027	MEEV00036	MEEV00036	SOLENOID VALVE HOLE 8mm CLEANTIME	1,00			--
0028	VTRS00251	VTRS00251	WASHER 4-16 INOX A2	1,00			--
0029	ETET20123	ETET20123	LABEL	1,00			--
0030	GUGO00164	897102	GASKET	1,00			--
0031	VTVT01150	VTVT01150	SCREW 4X10	1,00			--
0032	MEVR02826	MEVR02826	CAP RUBBER INSULATING L=41	2,00			--



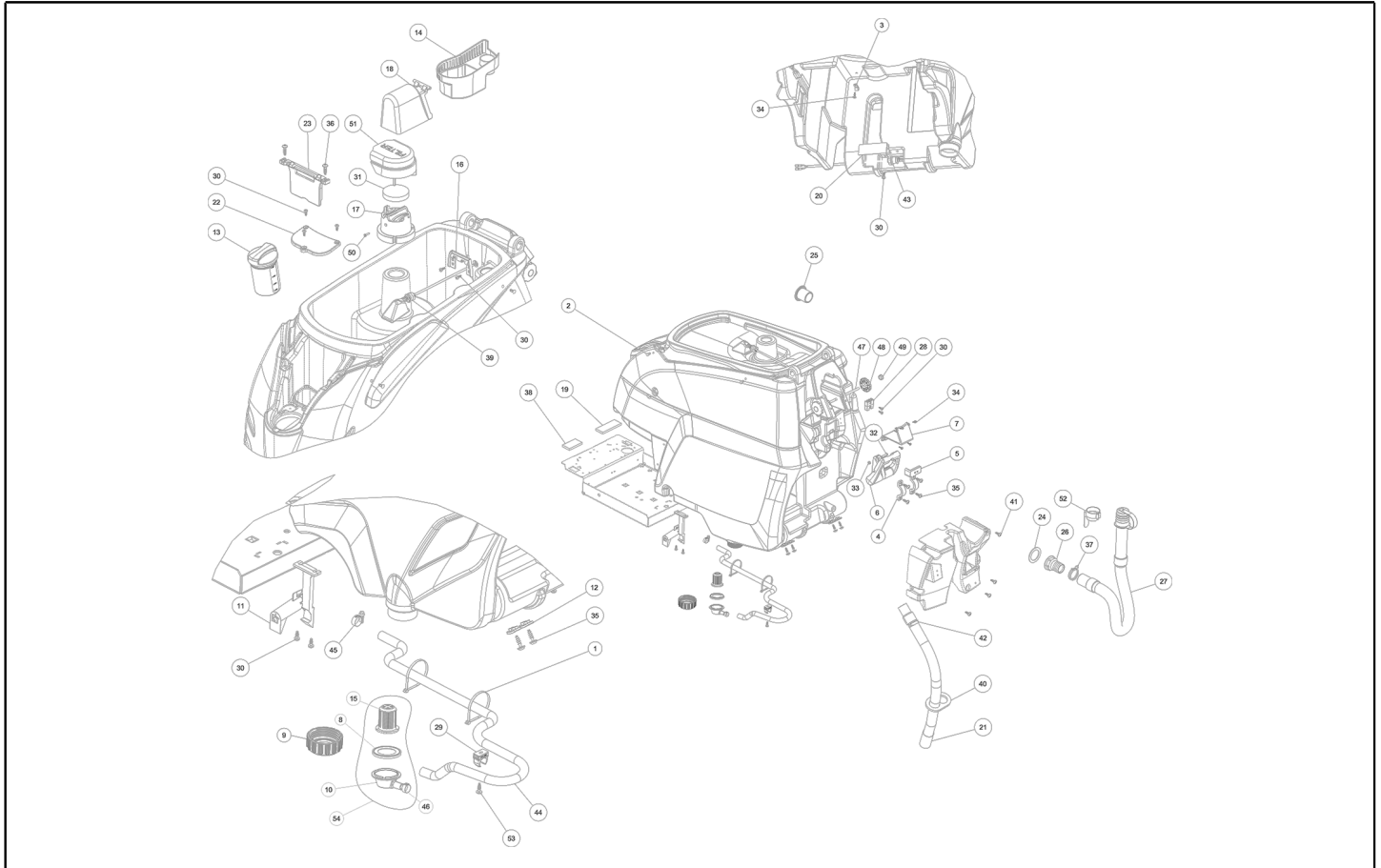
Ref. K	Part N.	Part N. 2	Description	Quantity	Validity		Price
					From	To	
0002	FSVR00049	FSVR00049	TIE, CABLE, 4.5X200, BLK	2,00			--
0003	RCVR00483	RCVR00483	FITTING, T	1,00			--
0004	TBBP00781	TBBP00781	HOSE, SOLTN, DRAIN [T291,T391]	1,00			--
0005	MPVR05280	MPVR05280	CLIP M25	1,00			--
0006	VTVT17720	VTVT17720	SCREW, SOC, M5X16, SS	1,00			--
0007	VTRS00516	VTRS00516	WASHER D. 5 INX	1,00			--
0008	VTDD01693	VTDD01693	NUT, HEX, M5, SS	1,00			--
0009	FSVR00261	FSVR00261	CLAMP, HOSE	2,00			--
0010	RCVR00590	RCVR00590	TAP CLEAN WATER DRAIN HOSE	1,00			--
0011	GUGO00268	GUGO00268	GASKET D.21 SP.3 GOMMA	1,00			--
0012	RCVR00353	RCVR00353	CAP 1/2G X ELETTR. ACL	1,00			--
0013	FSVR00256	FSVR00256	CLAMP	2,00			--
0014	MPVR05996	MPVR05996	CLIP, HOSE SOLUTION [T291,T391]	1,00			--
0015	VTVT01071	VTVT01071	SCREW STS KN1031-Neu 4x16 - H2	2,00			--



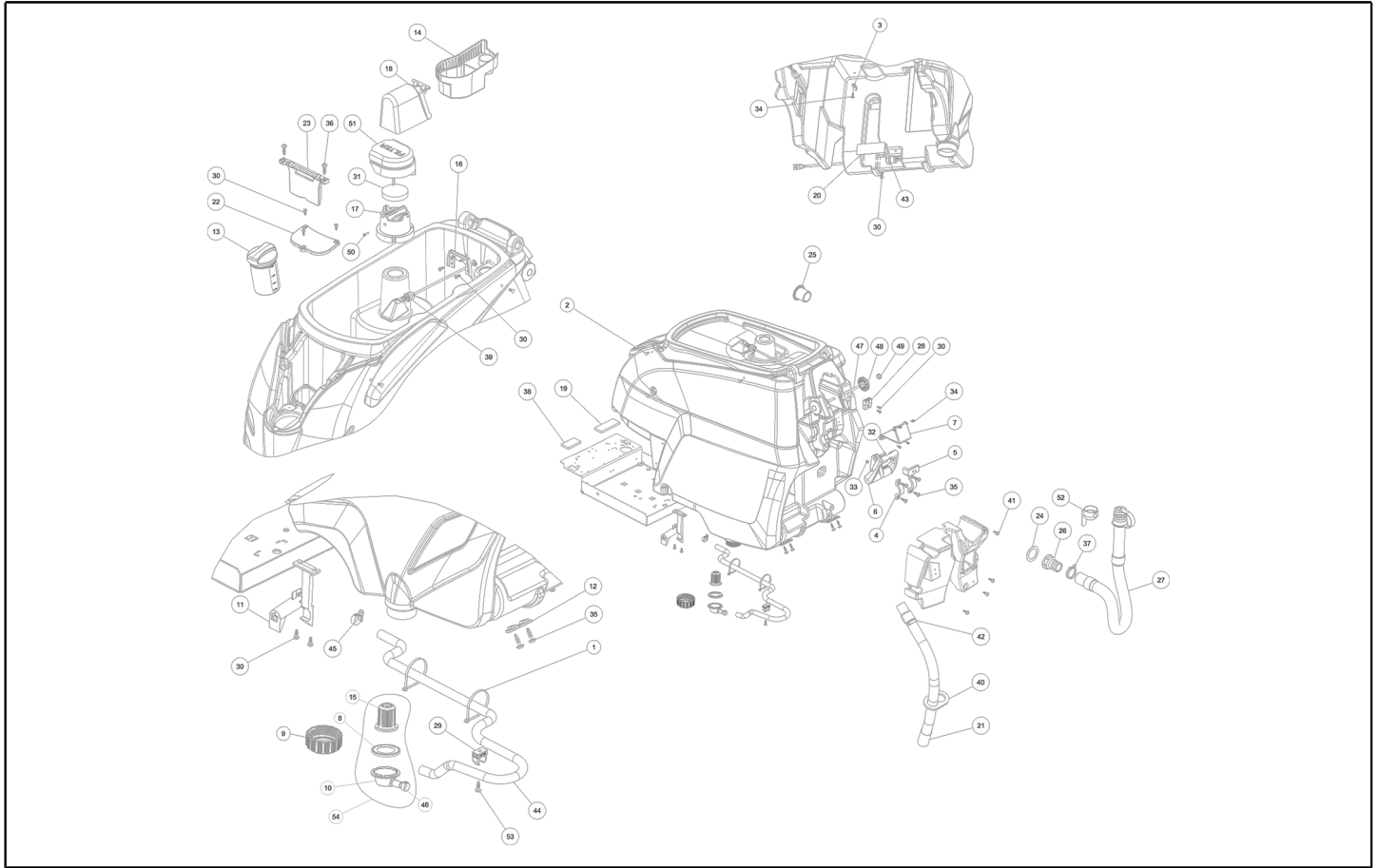
Ref. K	Part N.	Part N. 2	Description	Quantity	Validity		Price
					From	To	
0001	FSVR00049	FSVR00049	TIE, CABLE, 4.5X200, BLK	2,00			--
0002	MPVR11355	MPVR11355	CLIP	2,00			--
0003	MPVR02933	MPVR02933	BLOCKAGE TUBE D9,5	1,00			--
0004	MPVR06470	MPVR06470	CLAMP, 41B	1,00			--
0005	MPVR10564	MPVR10564	CLAMP, HANDLE	1,00			--
0006	MPVR13036	MPVR13036	LEVER, SQGE, LIFT	1,00			--
0007	MPVR10571	MPVR10571	FLANGE	1,00			--
0008	GUGO00478	GUGO00478	GASKET, SOLTN, FLTR	1,00			--
0009	MPVR06561	MPVR06561	CAP, SOLTN, TANK	1,00			--
0010	MPVR10566	MPVR10566	FITTING, HOSE, SOLTN	1,00			--
0011	MPVR06475	MPVR06475	LEVER, TANK, LOCKING	1,00			--
0012	MPVR10562	MPVR10562	GUARD, TANK	4,00			--
0013	MPVR11497	MPVR11497	CAP SOLUTION TANK	1,00			--
0014	MPVR06490	MPVR06490	TRAY, DEBRIS, TANK, RECVY	1,00			--
0015	MPVR10565	MPVR10565	STRAINER, SOLTN, TANK	1,00			--
0016	MPVR10576	MPVR10576	SUPPORT	1,00			--
0017	MPVR11676	MPVR11676	SUPPORT, FLTR	1,00			--
0018	MPVR06560	MPVR06560	DEFLECTOR, TRAY, DEBRIS	1,00			--
0019	MPVR11766	MPVR11766	TAPE, 110X40X8.5	1,00			--
0020	LAFN11043	LAFN11043	BRACKET, TANK	1,00			--
0021	TBFX00353	TBFX00353	HOSE ASSY, RECVY, TANK	1,00		28/02/2024	--
0021	TBBP00402	TBBP00402	HOSE, VACUUM 40D	1,00	29/02/2024		--
0022	MPVR13045	MPVR13045	SUPPORT, LATCH, COVER	1,00			--
0023	MPVR13046	MPVR13046	COVER	1,00			--
0024	GUGO00216	GUGO00216	GASKET, TANK, DRAIN, HOSE, CUFF	1,00			--
0025	RCVR00339	RCVR00339	CONNECTOR	1,00			--
0026	RCVR01103	RCVR01103	CONNECTOR	1,00			--
0027	TBFX01069	TBFX01069	HOSE ASSY, DRAIN, RECVY, TANK	1,00			--
0028	MPVR11684	MPVR11684	MOUNT, HOSE, DRAIN	1,00			--
0029	MPVR12708	MPVR12708	CLIP	1,00			--
0030	VTVT01073	VTVT01073	SCREW, PAN, TORX, 6X16, FMG, KN1039	10,00			--
0031	FTDP00678	FTDP00678	FILTER, VACUUM, MOTOR	1,00			--
0032	VTVT01714	VTVT01714	SCREW, PAN, SOC, M6X30	1,00			--
0033	VTDD01700	VTDD01700	NUT, M6 INOX+ZIN.	1,00			--
0034	VTVT01072	VTVT01072	SCREW, PAN, TORX, 5X16, FMG, KN1038	5,00			--
0035	VTVT01427	VTVT01427	SCREW PAN TORX 8X25	8,00			--
0036	VTVT01429	VTVT01429	SCREW, PAN, TORX, 8X30, FMG, KN1038	2,00			--
0037	FSVR00262	FSVR00262	CLAMP	1,00			--
0038	MPVR11767	MPVR11767	TAPE, 75X40X8.5	1,00			--
0039	MECI00662	MECI00662	SENSOR, LEVEL, LIQ	1,00			--
0040	MPVR04659	MPVR04659	GUIDE, HOSE	1,00			--
0041	VTVT01430	VTVT01430	SCREW, PAN, TORX, 8X22, FMG, KN1038	4,00			--
0042	MPVR06119	MPVR06119	HOSE, COLLAR, YEL	1,00			--
0043	MECI00592	MECI00592	SENSOR, LEVEL, LIQ	1,00			--



Ref. K	Part N.	Part N. 2	Description	Quantity	Validity		Price
					From	To	
0044	TBFX01379	N/A	HOSE METALFLEX /I D. 12	1,00			--
0045	FSVR00428	FSVR00428	CLAMP D. 12-20 OBS. REP. BY 897362	1,00			--
0046	FSVR00261	FSVR00261	CLAMP, HOSE	1,00			--
0047	VTVR01001	VTVR01001	ROD, THRD, FULL, M8 X 175MM	1,00			--
0048	MPVR06478	MPVR06478	SMALL KNOB WHEEL ADJUSTMENT	2,00			--
0049	MPVR06479	MPVR06479	CAP POMELLO	2,00			--
0050	VTVT00835	VTVT00835	SCREW, 4.5-20, SS, DIN 7505-A	1,00			--
0051	MPVR11641	MPVR11641	COVER, FLTR	1,00			--
0052	MPVR01097	MPVR01097	CLIP, HOSE, DRAIN	1,00			--
0053	VTVT01591	VTVT01591	SCREW, PAN, TORX, 6X20, FMG, KN1038	1,00			--



Ref. K	Part N.	Part N. 2	Description	Quantity	Validity		Price
					From	To	
0001	FSVR00049	FSVR00049	TIE, CABLE, 4.5X200, BLK	2,00			--
0002	MPVR14093	N/A	CLIP D.5,6-6,4 L=20 BLACKPA66	2,00			--
0003	MPVR02933	MPVR02933	BLOCKAGE TUBE D9,5	1,00			--
0004	MPVR06470	MPVR06470	CLAMP, 41B	1,00			--
0005	MPVR10564	MPVR10564	CLAMP, HANDLE	1,00			--
0006	MPVR13036	MPVR13036	LEVER, SQGE, LIFT	1,00			--
0007	MPVR10571	MPVR10571	FLANGE	1,00			--
0009	MPVR06561	MPVR06561	CAP, SOLTN, TANK	1,00			--
0011	MPVR06475	MPVR06475	LEVER, TANK, LOCKING	1,00			--
0012	MPVR10562	MPVR10562	GUARD, TANK	4,00			--
0013	MPVR11497	MPVR11497	CAP SOLUTION TANK	1,00			--
0014	MPVR06490	MPVR06490	TRAY, DEBRIS, TANK, RECVY	1,00			--
0016	MPVR10576	MPVR10576	SUPPORT	1,00			--
0017	MPVR11676	MPVR11676	SUPPORT, FLTR	1,00			--
0018	MPVR06560	MPVR06560	DEFLECTOR, TRAY, DEBRIS	1,00			--
0019	MPVR11766	MPVR11766	TAPE, 110X40X8.5	1,00			--
0020	LAFN11043	LAFN11043	BRACKET, TANK	1,00			--
0021	TBBP00402	TBBP00402	HOSE, VACUUM 40D	1,00			--
0022	MPVR13045	MPVR13045	SUPPORT, LATCH, COVER	1,00			--
0023	MPVR13046	MPVR13046	COVER	1,00			--
0024	GUGO00216	GUGO00216	GASKET, TANK, DRAIN, HOSE, CUFF	1,00			--
0025	RCVR00339	RCVR00339	CONNECTOR	1,00			--
0026	RCVR01103	RCVR01103	CONNECTOR	1,00			--
0027	TBFX01069	TBFX01069	HOSE ASSY, DRAIN, RECVY, TANK	1,00			--
0028	MPVR11684	MPVR11684	MOUNT, HOSE, DRAIN	1,00			--
0029	MPVR12708	MPVR12708	CLIP	1,00			--
0030	VTVT01073	VTVT01073	SCREW, PAN, TORX, 6X16, FMG, KN1039	10,00			--
0031	FTDP00678	FTDP00678	FILTER, VACUUM, MOTOR	1,00			--
0032	VTVT01714	VTVT01714	SCREW, PAN, SOC, M6X30	1,00			--
0033	VTDD01700	VTDD01700	NUT, M6 INOX+ZIN.	1,00			--
0034	VTVT01072	VTVT01072	SCREW, PAN, TORX, 5X16, FMG, KN1038	5,00			--
0035	VTVT01427	VTVT01427	SCREW PAN TORX 8X25	8,00			--
0036	VTVT01429	VTVT01429	SCREW, PAN, TORX, 8X30, FMG, KN1038	2,00			--
0037	FSVR00262	FSVR00262	CLAMP	1,00			--
0038	MPVR11767	MPVR11767	TAPE, 75X40X8.5	1,00			--
0039	MECI00662	MECI00662	SENSOR, LEVEL, LIQ	1,00			--
0040	MPVR04659	MPVR04659	GUIDE, HOSE	1,00			--
0041	VTVT01430	VTVT01430	SCREW, PAN, TORX, 8X22, FMG, KN1038	4,00			--
0042	MPVR06119	MPVR06119	HOSE, COLLAR, YEL	1,00			--
0043	MECI00592	MECI00592	SENSOR, LEVEL, LIQ	1,00			--
0044	TBFX01379	N/A	HOSE METALFLEX /I D. 12	1,00			--
0045	FSVR00428	FSVR00428	CLAMP D. 12-20 OBS. REP. BY 897362	1,00			--
0046	FSVR00261	FSVR00261	CLAMP, HOSE	1,00			--
0047	VTVR01001	VTVR01001	ROD, THRD, FULL, M8 X 175MM	1,00			--



Ref. K	Part N.	Part N. 2	Description	Quantity	Validity		Price
					From	To	
0048	MPVR06478	MPVR06478	SMALL KNOB WHEEL ADJUSTMENT	2,00			--
0049	MPVR06479	MPVR06479	CAP POMELLO	2,00			--
0050	VTVT00835	VTVT00835	SCREW, 4.5-20, SS, DIN 7505-A	1,00			--
0051	MPVR11641	MPVR11641	COVER, FLTR	1,00			--
0052	MPVR01097	MPVR01097	CLIP, HOSE, DRAIN	1,00			--
0053	VTVT01591	VTVT01591	SCREW, PAN, TORX, 6X20, FMG, KN1038	1,00			--
0054	KTRI06937	N/A	KIT SOLUTION FILTER NANOCLEAN	1,00			--