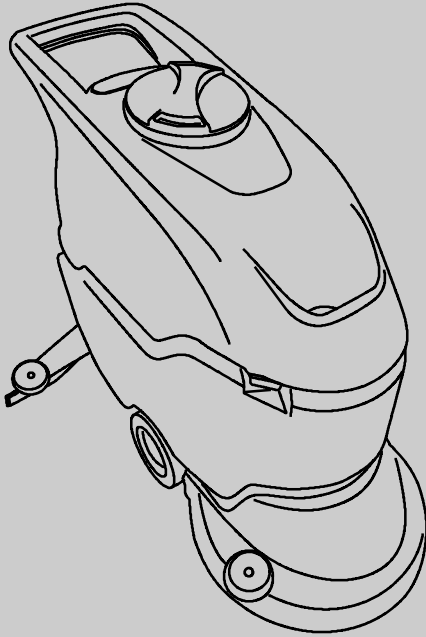




T290

Battery Floor Scrubber
(Pad Assist Model)

Parts Manual



Model Part No.:
LPTB03303 – SCRUBBER [T290 50CM PAD ASSIST, PD, ANZ]

Tennant *True*® Parts

ANZ



To view, print or download
Tennant manuals, visit:

www.tennantco.com/manuals

Rev. 00 (08-2022)

Only use TENNANT Company supplied or equivalent parts. Parts and supplies may be ordered online, by phone or from any Tennant Authorized Service Center or Distributor.

Before Ordering any parts or supplies, be sure to have the machine model number and serial number available.

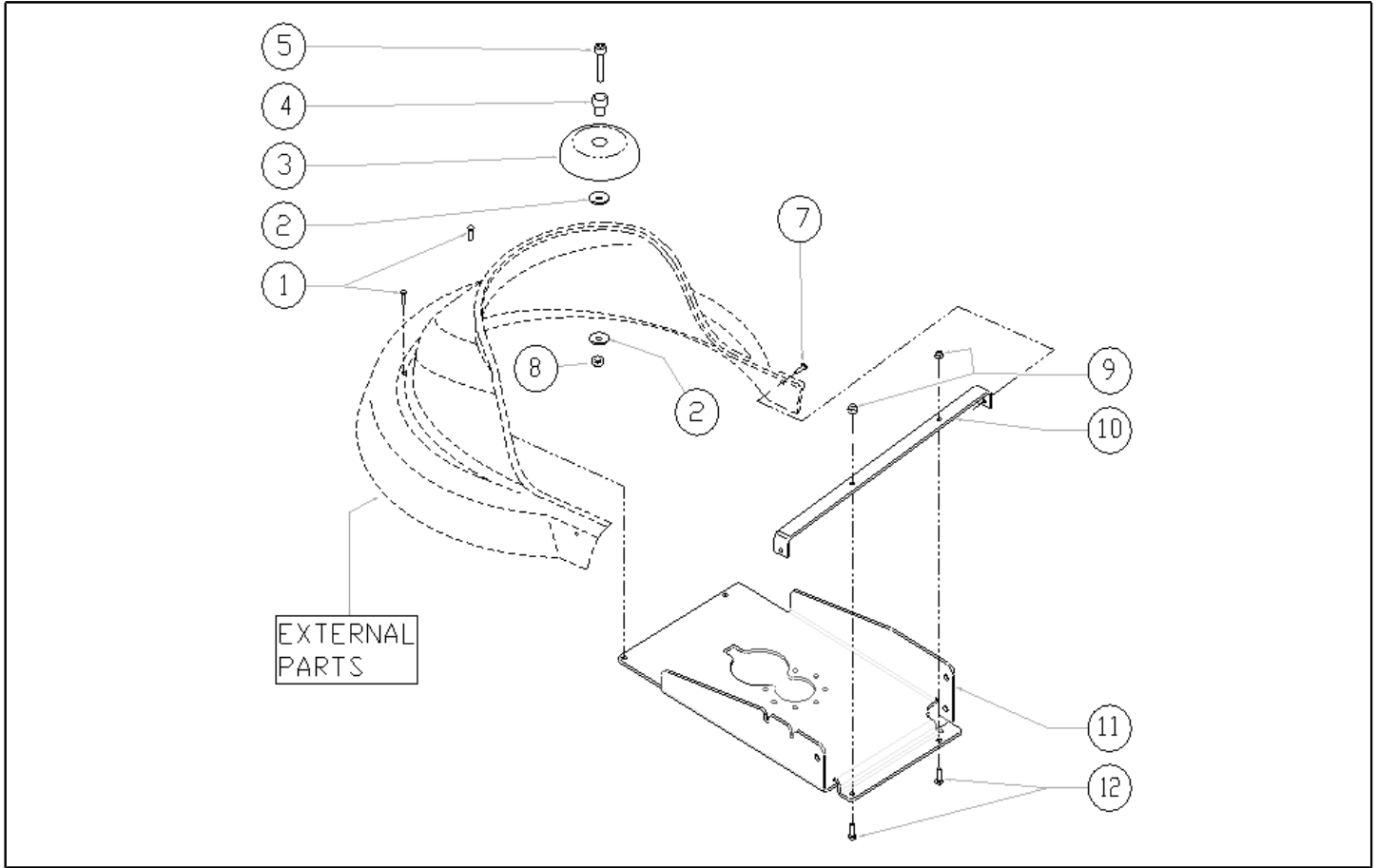
Tennant Company
10400 Clean Street
Eden Prairie, MN 55344-2650 USA
NA Phone: (800) 553-8033
ANZ Phone: 1800 226 843
www.tennantco.com
www.tennantco.com.au

Specifications and parts are subject to change without notice.

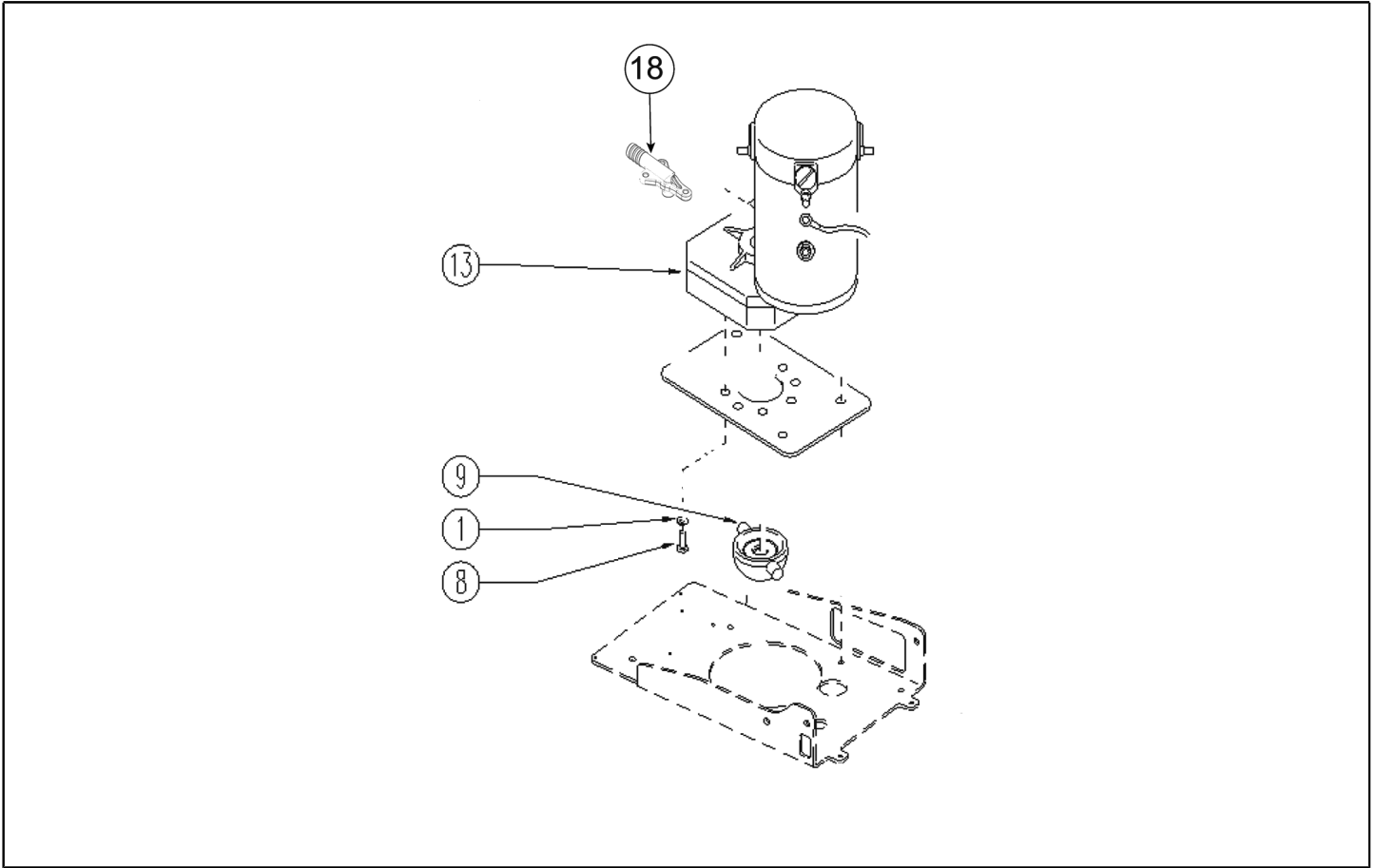
Copyright © 2022 TENNANT Company

T290 RECOMMENDED SPARE PARTS LIST

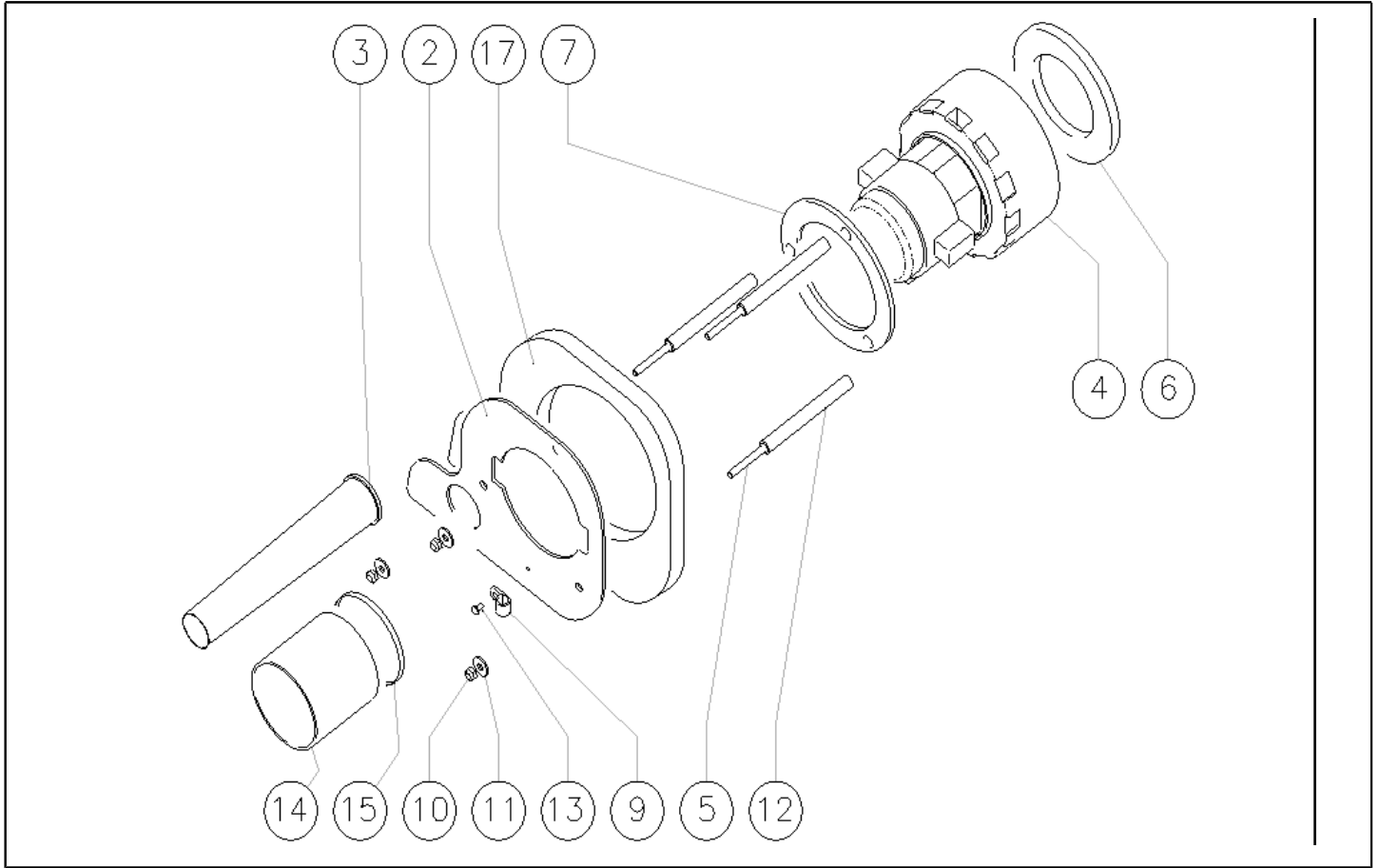
| Part No. | WEAR PARTS |
|------------|--|
| 9017703 | BRUSH ASSY, DISK, SCB, 50CM, PYP |
| 9017704 | BRUSH ASSY, DISK, SCB, 50CM, PYP, SOFT |
| 9017710 | DRIVER ASSY, PAD, 50CM |
| 9017699 | BLADE, SQGE, FRONT, 880L, LINATEX [STANDARD] |
| 9017702 | BLADE, SQGE, REAR, 900L, LINATEX [STANDARD] |
| 9017695 | BLADE, SQGE, FRONT, 880L, LATEX [OPTION] |
| 9017694 | BLADE, SQGE, REAR, 900L, LATEX [OPTION] |
| 9017696 | BLADE, SQGE, FRONT, 880L, PYU [OPTION] |
| 9017698 | BLADE, SQGE, REAR, 900L, PYU [OPTION] |
| Part No. | SERVICE PARTS |
| L-GF12105V | BATTERY, 12V , GEL 105AH |
| PMVR06660 | SQUEEGEE ASSY, LINATEX BLADES [T290] |
| 9017713 | FILTER, VACUUM |
| 9017711 | SEAL, COVER, RECVY TANK |
| 9017712 | HOSE ASSY, RECOVERY |
| 9017686 | BRUSH KIT, CARBON, BRUSH MOTOR [4 PC] |
| 9017687 | BRUSH, CARBON, VAC FAN MOTOR |
| 9018034 | BRUSH, CARBON, TRANSAXLE MOTOR |
| 9017715 | CABLE, LIFT, SQGE |
| TBFX01299 | HOSE ASSY, DRAIN |
| 9017718 | VALVE, WATER, SOLENOID, 24VDC |
| 9017788 | CASTER, SWIVEL |
| 9017719 | BEARING, AXLE |
| 9018584 | FILTER, WATER, SOLNT, COMPL |
| 9017725 | MOTOR, BRUSH, 24VDC |
| 9017716 | FAN, VACUUM |
| 897285 | MOTOR, TRACTION, 24V 145W |
| 9017726 | CIRCUITBOARD, MAIN |
| 897186 | CIRCUITBOARD, DISPLAY, ASSY |
| MEVR01428 | FUSE 2A, MAIN CIRCUIT BOARD |
| 9018332 | FUSE 50A, MAIN CIRCUIT BOARD |
| 9018333 | FUSE 40A, MAIN CIRCUIT BOARD |
| 9017722 | GUARD, SPLASH (OPTION) |
| 9017737 | FLOAT, SHUTOFF |
| BACA00255 | CHARGER, 24VDC/10A, 100-240VAC |
| MECB02065 | CORD, POWER, CHRGR, [ANZ] |



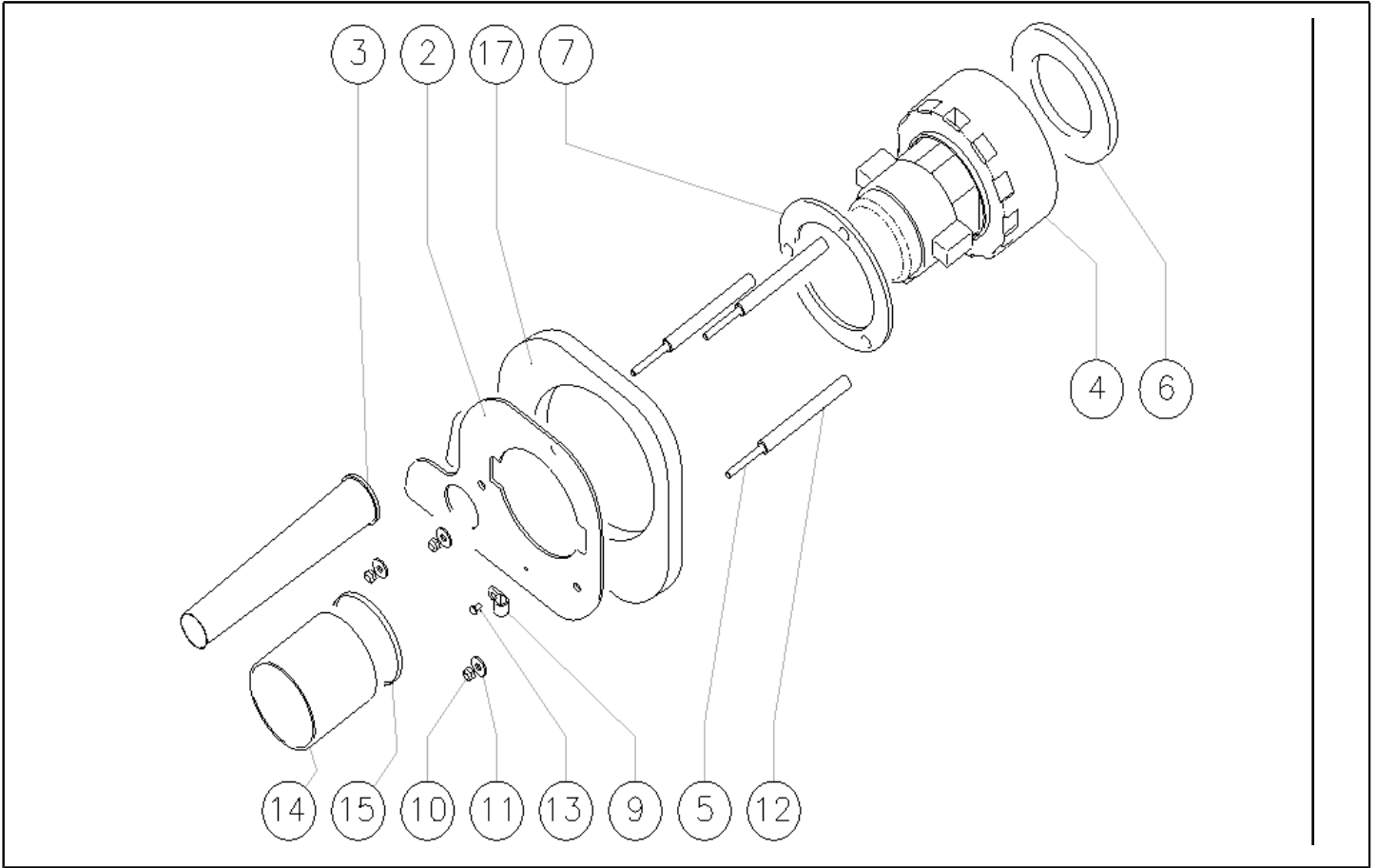
| Ref. K | Part N. | Part N. 2 | Description | Quantity | Validity | | Price |
|--------|-----------|-----------|----------------------------------|----------|----------|----|-------|
| | | | | | From | To | |
| 0001 | VTVT01004 | 897119 | SCREW, M4X10, TRILOBATA | 2,00 | | | -- |
| 0002 | VTRS13946 | 897120 | WASHER, D.8X24, UNI6593, INOX | 2,00 | | | -- |
| 0003 | MPVR05290 | 897101 | WHEEL, BMPR, 98,5d X 21,5W | 1,00 | | | -- |
| 0004 | LAFN03915 | 897121 | BUSHING NUOVO RUOTINO STRONG | 1,00 | | | -- |
| 0005 | VTVT00822 | 897122 | SCREW, TCEI, M8X30 | 1,00 | | | -- |
| 0007 | VTVT01366 | 897123 | SCREW M4X16 | 2,00 | | | -- |
| 0008 | VTDD01695 | 897124 | NUT, M8, INOX | 1,00 | | | -- |
| 0009 | VTDD15518 | 897125 | NUT, M6, INOX | 2,00 | | | -- |
| 0010 | LAFN05899 | 897126 | SUPPORT BRACKET CARTER 1 EXTREME | 1,00 | | | -- |
| 0011 | LAFN07373 | 897127 | PLATE RIDUTTORE | 1,00 | | | -- |
| 0012 | VTVT15143 | 897128 | SCREW TE 6X16 UNI5739 | 2,00 | | | -- |



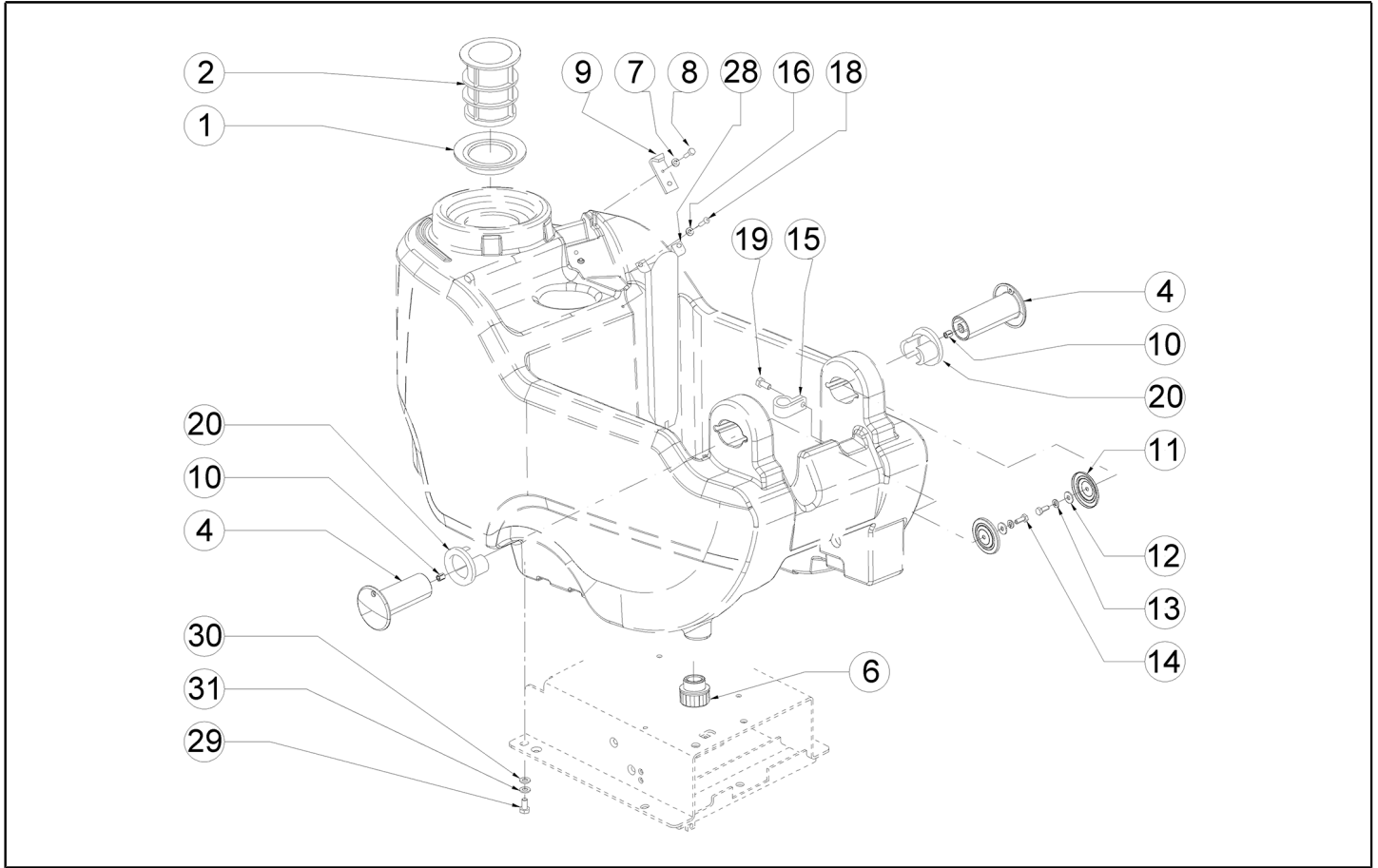
| Ref. K | Part N. | Part N. 2 | Description | Quantity | Validity | | Price |
|--------|-----------|-----------|------------------------------------|----------|----------|----|-------|
| | | | | | From | To | |
| 0001 | VTRS15144 | 897129 | WASHER D. 6 INX GRW UNI 1751 | 8,00 | | | -- |
| 0008 | VTVT15906 | 897130 | SCREW, TE, M6X12, UNI5739, A2 | 8,00 | | | -- |
| 0009 | MFVR00134 | 897131 | DRIVE DISK ALUMINIUM S.B. | 1,00 | | | -- |
| 0013 | MOCC00344 | 9017686 | VR, BRUSH KIT, MOTOR, BRUSH [4 PC] | 4,00 | | | -- |
| 0013 | MOCC00405 | 9017725 | MOTOR, BRUSH, 24VDC | 1,00 | | | -- |
| 0018 | RCDS00046 | 897132 | CONNECTOR | 1,00 | | | -- |



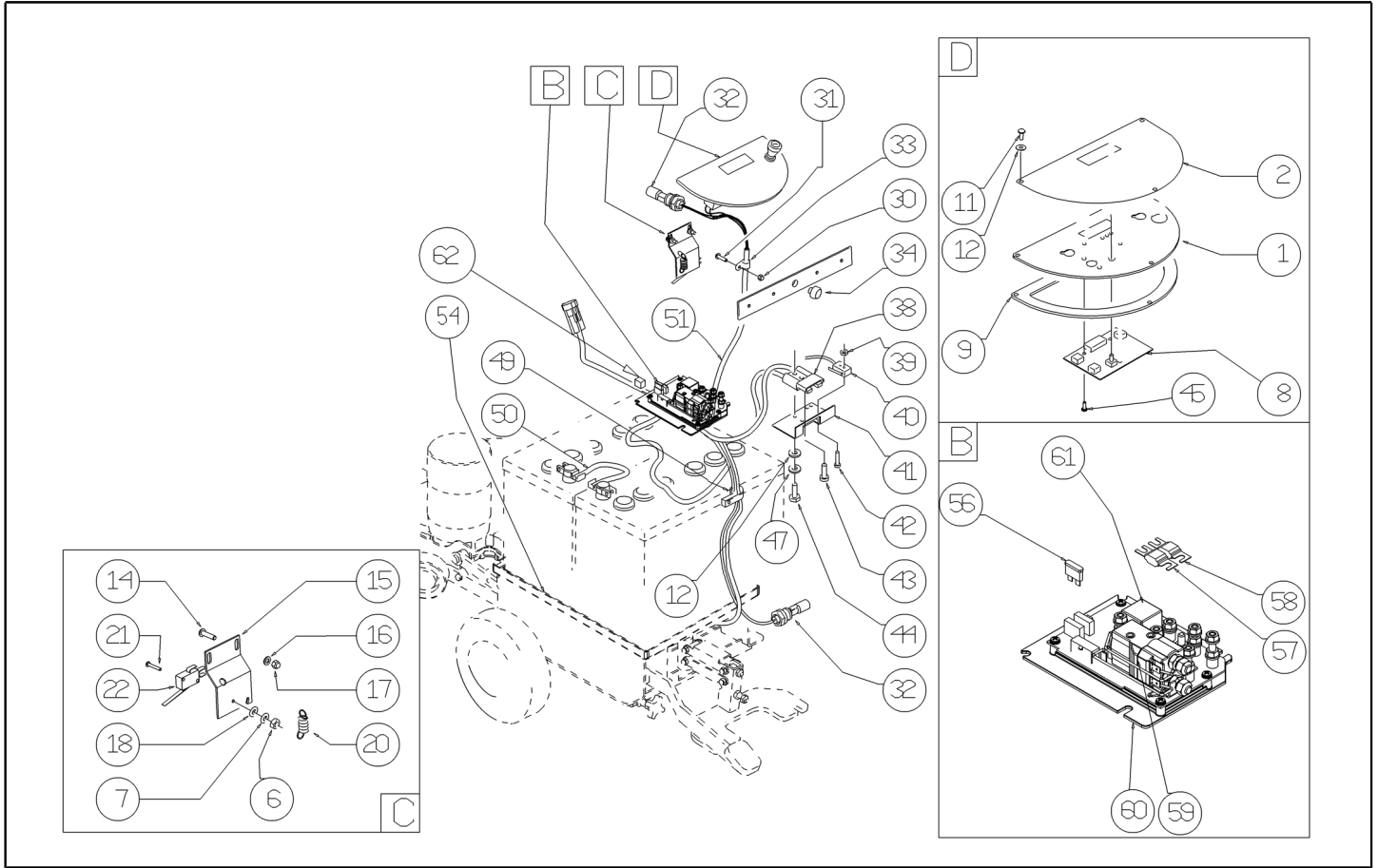
| Ref. K | Part N. | Part N. 2 | Description | Quantity | Validity | | Price |
|--------|---------|-----------|-------------|-------------------------------|----------|----|-------|
| | | | | | From | To | |
| 0002 | S | LAFN06363 | 897133 | FLANGE ASPIRATORE | 1,00 | | -- |
| 0003 | S | MPVR05259 | 897134 | TUBE SCARICO | 1,00 | | -- |
| 0004 | | MEVR05200 | 9017687 | VR, BRUSH, MOTOR, VACFAN | 2,00 | | -- |
| 0004 | S | MOCC00349 | 9017716 | FAN, VACUUM | 1,00 | | -- |
| 0005 | | VTVR00198 | 897135 | ROD | 3,00 | | -- |
| 0006 | S | GUGO00272 | 9017714 | GASKET, MOTOR, VACUUM | 1,00 | | -- |
| 0007 | S | MPVR04724 | 897136 | FLANGE, NYLON | 1,00 | | -- |
| 0009 | S | FSVR00099 | 897137 | CLAMP FERMATUBO | 1,00 | | -- |
| 0010 | | VTDD01694 | 897138 | NUT M6 INOX | 3,00 | | -- |
| 0011 | | VTRS13945 | 897112 | WASHER D. 6X18 INX UNI 6593 | 3,00 | | -- |
| 0012 | | LAFN51078 | 897139 | SPACER SH | 3,00 | | -- |
| 0013 | S | VTVT00813 | 897140 | SCREW, M4X8, TCB, TC, UNI8112 | 1,00 | | -- |
| 0014 | S | TBFX00312 | 897141 | TUBE ASPIRAZIONE | 1,00 | | -- |
| 0015 | S | FSVR00118 | 897142 | CLAMP D.94 | 1,00 | | -- |
| 0017 | S | MPVR05103 | 897143 | SOUND, PROOFING ASPIRATORE | 1,00 | | -- |



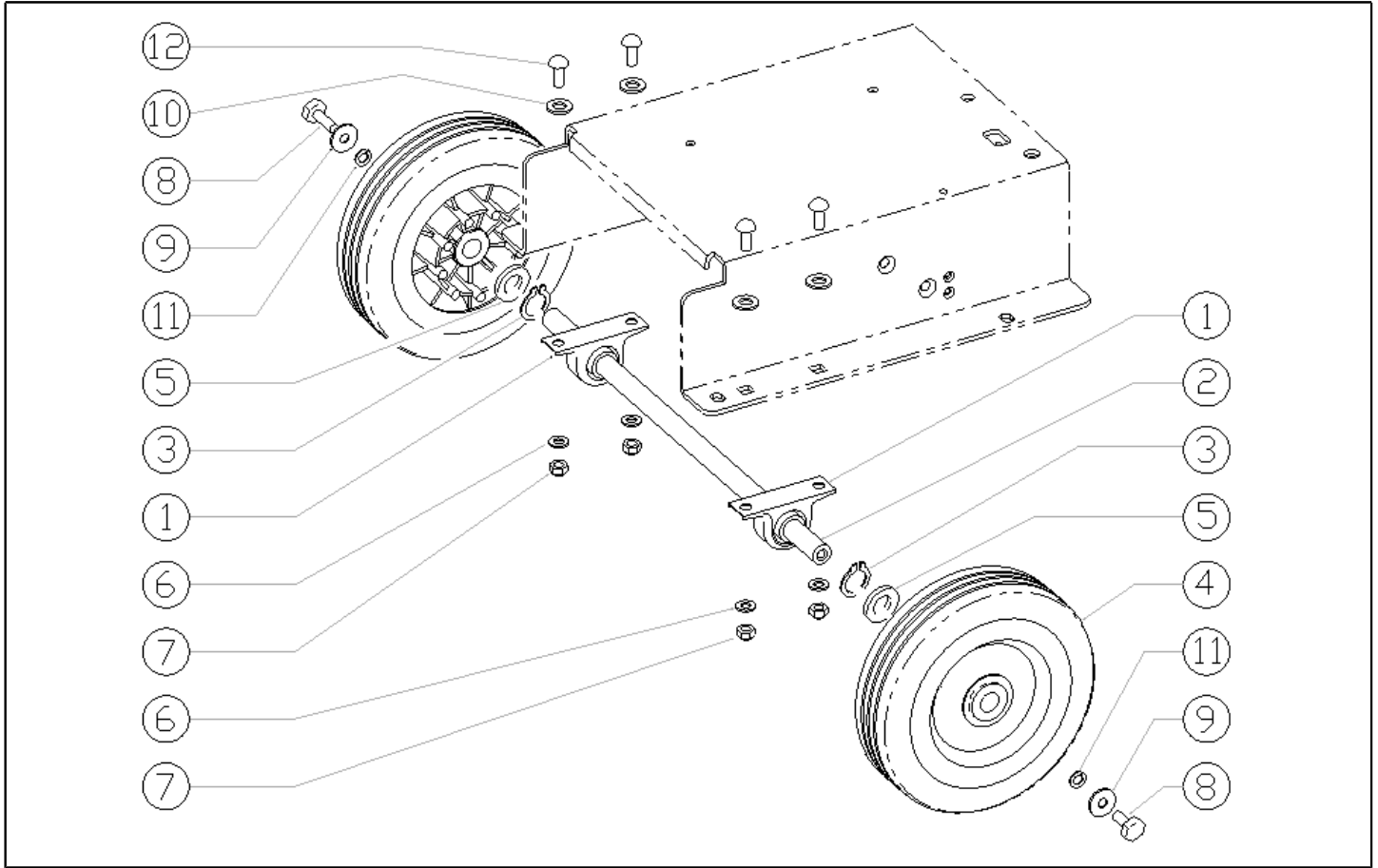
| Ref. Part N. | Part N. 2 | Description | Reference | Price |
|--------------|-----------|-------------|---|-------|
| KTRI01781 | | | 0002 0003 0004 0006 0007 0009 0013 0014 0015 0017 | -- |



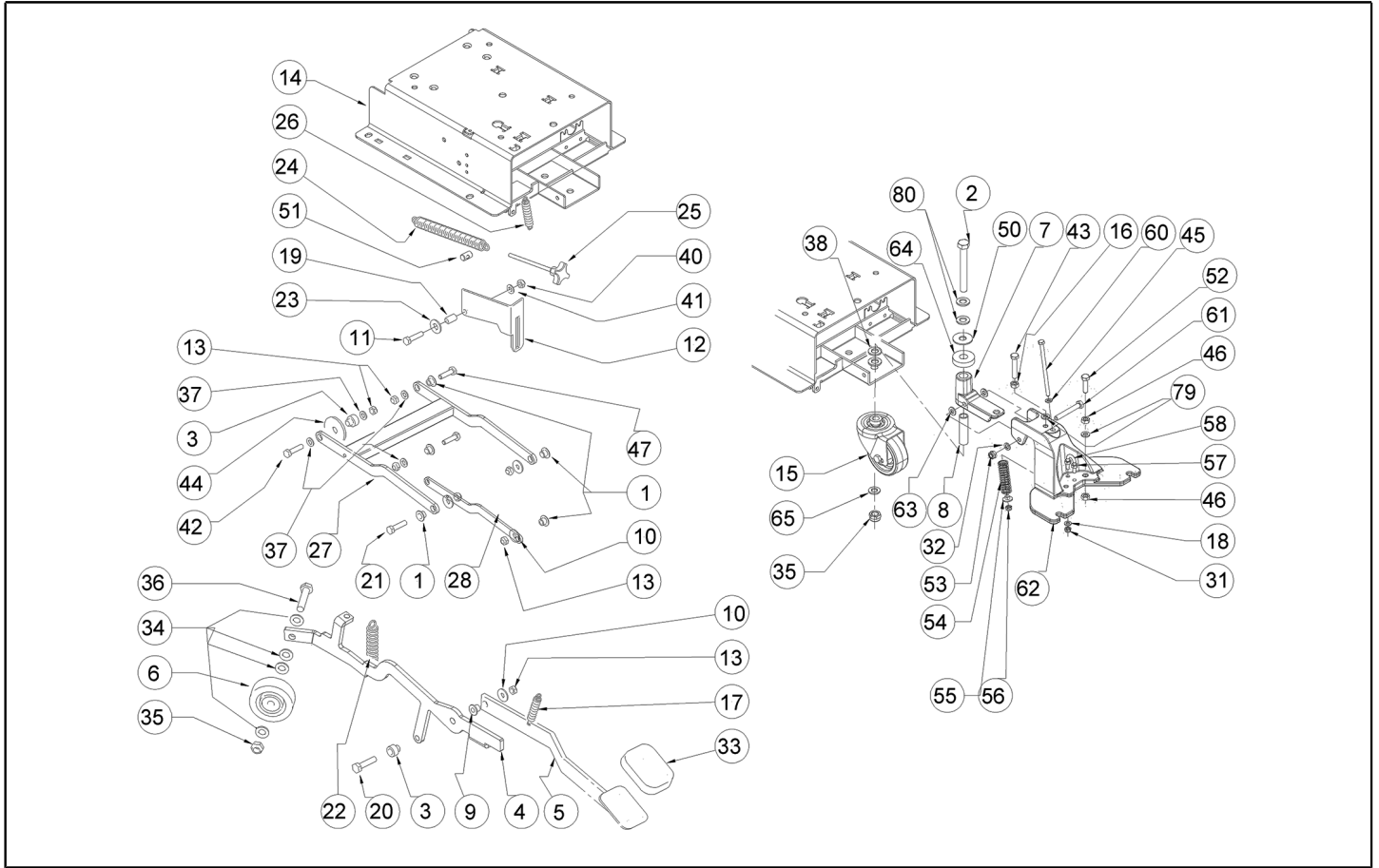
| Ref. K | Part N. | Part N. 2 | Description | Quantity | Validity | | Price |
|--------|-----------|-----------|-----------------------------------|----------|----------|----|-------|
| | | | | | From | To | |
| 0001 | GUVR48859 | 897173 | GASKET SHK | 1,00 | | | -- |
| 0002 | FTAC48857 | 897174 | FILTER SOLUTION TANK INLET | 1,00 | | | -- |
| 0004 | MPVR06407 | 897175 | PIN | 2,00 | | | -- |
| 0006 | MPVR10774 | 897176 | CAP 1/2" | 1,00 | | | -- |
| 0007 | VTRS15144 | 897129 | WASHER D. 6 INX GRW UNI 1751 | 1,00 | | | -- |
| 0008 | VTVT01303 | 897177 | SCREW, TE, M6X10, INOX | 1,00 | | | -- |
| 0009 | LAFN06489 | 897178 | PLATE | 1,00 | | | -- |
| 0010 | VTVR48693 | 897179 | INSERT, THREAD, M6 | 2,00 | | | -- |
| 0011 | LAFN07800 | 897111 | PLATE, SPPT, STL | 2,00 | | | -- |
| 0012 | VTRS13945 | 897112 | WASHER D. 6X18 INX UNI 6593 | 2,00 | | | -- |
| 0013 | VTRS15144 | 897129 | WASHER D. 6 INX GRW UNI 1751 | 2,00 | | | -- |
| 0014 | VTVT15143 | 897128 | SCREW TE 6X16 UNI5739 | 2,00 | | | -- |
| 0015 | FSVR00099 | 897137 | CLAMP FERMATUBO | 2,00 | | | -- |
| 0016 | VTRS00515 | 897156 | WASHER D. 4 INX | 2,00 | | | -- |
| 0018 | VTVT37012 | 897180 | SCREW, M4X10, TCB, TC, INOX | 2,00 | | | -- |
| 0019 | VTVT15961 | VTVT15961 | SCREW, M5X16, TCB, TC, UNI7687 | 1,00 | | | -- |
| 0020 | PMVR02028 | 897182 | RUBBER GRUPPO MONTAGGIO | 2,00 | | | -- |
| 0028 | MPVR51085 | 897183 | FLAP POSTER.TERGI 950 MAGG. | 1,00 | | | -- |
| 0029 | VTVT15916 | 897184 | SCREW, TE, M8X16, UNI5739, A2 | 4,00 | | | -- |
| 0030 | VTRS13947 | 897152 | WASHER, D.8, UNI6592, INOX | 4,00 | | | -- |
| 0031 | VTRS00269 | 897185 | WASHER, D. 8, DIN6798-A, INOX, A2 | 4,00 | | | -- |



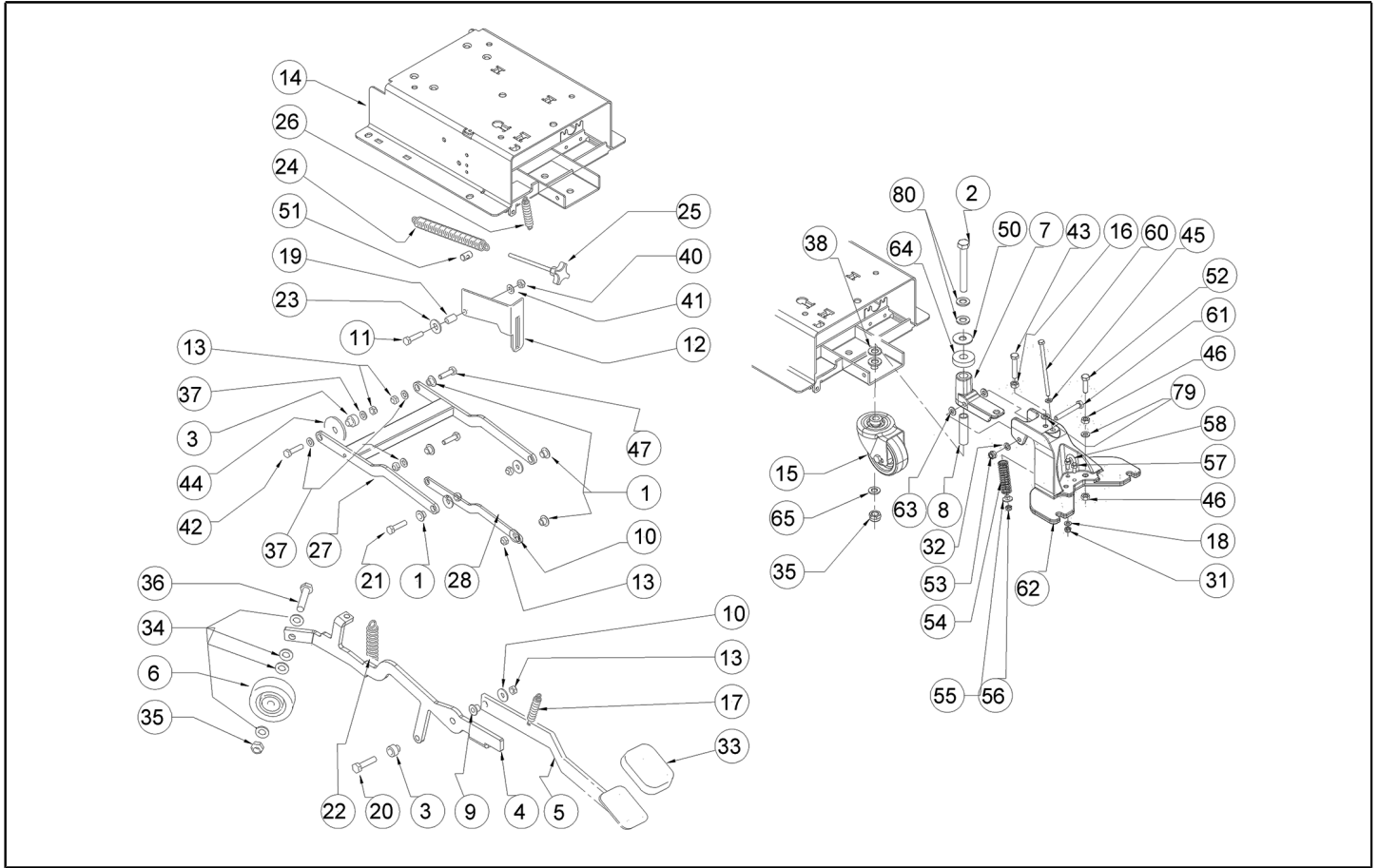
| Ref. K | Part N. | Part N. 2 | Description | Quantity | Validity | | Price |
|--------|-----------|-----------|----------------------------------|----------|----------|----|-------|
| | | | | | From | To | |
| 000D | MECE00534 | 897186 | BOARD, 70 B | 1,00 | | | -- |
| 0001 | LAFN08989 | 897187 | SUPPORT | 1,00 | | | -- |
| 0002 | ETET01670 | 897188 | LABEL | 1,00 | | | -- |
| 0006 | VTDD21115 | 897189 | NUT, M3, INOX | 7,00 | | | -- |
| 0007 | VTRS00268 | 897190 | WASHER, D.3 | 7,00 | | | -- |
| 0008 | MECE00608 | 9017727 | CIRCUITBOARD, DISPLAY | 1,00 | | | -- |
| 0009 | GUGO38417 | 897191 | GASKET, PANN, COM, EXTREME | 1,00 | | | -- |
| 0011 | VTVT37012 | 897180 | SCREW, M4X10, TCB, TC, INOX | 3,00 | | | -- |
| 0012 | VTRS00515 | 897156 | WASHER D. 4 INX | 10,00 | | | -- |
| 0014 | VTVT07725 | 897145 | SCREW TE 5X16 UNI5739 INX | 2,00 | | | -- |
| 0015 | LAFN05904 | 897192 | PLATE MICRO LEVA | 1,00 | | | -- |
| 0016 | VTRS00516 | 897166 | WASHER, D. 5, INOX | 2,00 | | | -- |
| 0017 | VTDD01693 | VTDD01693 | NUT, M5, INOX | 2,00 | | | -- |
| 0018 | VTRS21116 | 897193 | WASHER, D. 3, INOX | 2,00 | | | -- |
| 0020 | MLML00203 | 897148 | SPRING | 1,00 | | | -- |
| 0021 | VTVT01316 | 897194 | SCREW TC+ M3, 16 | 2,00 | | | -- |
| 0022 | MECI36393 | 9017689 | SWITCH, HANDLE | 1,00 | | | -- |
| 0030 | VTDD15925 | 897160 | NUT, M4, INOX, ZN | 1,00 | | | -- |
| 0031 | VTVT00704 | 897195 | SCREW, TE, M4X16, UNI5739, INOX | 5,00 | | | -- |
| 0032 | MECI00516 | 9017737 | FLOAT, SHUTOFF | 2,00 | | | -- |
| 0033 | Fsvr00099 | 897137 | CLAMP FERMATUBO | 1,00 | | | -- |
| 0034 | MPVR00043 | 897196 | CAP CHIUS.FORO PORTAFUS.L 15 | 1,00 | | | -- |
| 0038 | MEVR01707 | 897197 | CONNECTOR | 1,00 | | | -- |
| 0039 | VTDD08634 | 897198 | NUT, M2 | 2,00 | | | -- |
| 0040 | MECI00334 | 897199 | MICROSWITCH CHARGING PLUG | 1,00 | | | -- |
| 0041 | LAFN06409 | 897200 | SUPPORT | 1,00 | | | -- |
| 0042 | VTVT00671 | 897201 | SCREW, TC, M.2X16, BRASS | 2,00 | | | -- |
| 0043 | VTVT00872 | 897202 | SCREW TSP+ 2.9X13 AUTOFIL. INOX | 1,00 | | | -- |
| 0044 | VTVT00814 | 897155 | SCREW, TE, M.4X25 | 2,00 | | | -- |
| 0045 | VTVT00722 | 897203 | SCREW | 2,00 | | | -- |
| 0047 | VTRS15913 | 897204 | WASHER D. 4 GROVER A2 UNI1751 | 2,00 | | | -- |
| 0049 | Fsvr00099 | 897137 | CLAMP FERMATUBO | 1,00 | | | -- |
| 0050 | MEVR34820 | 897205 | WIRING BATTERY BRIDGE W/TERMINAL | 1,00 | | | -- |
| 0051 | MECB01252 | 897206 | WIRING | 1,00 | | | -- |
| 0054 | LAFN35588 | 897207 | BATTERY SUPPORT CT LINE | 1,00 | | | -- |
| 0056 | MEVR01428 | MEVR01428 | FUSE 2A | 1,00 | | | -- |
| 0057 | MEVR02105 | 9018332 | FUSE, 50A | 1,00 | | | -- |
| 0058 | MEVR02060 | 9018333 | FUSE, 40A | 1,00 | | | -- |
| 0059 | METT00085 | 897208 | CONTACTOR 100A | 1,00 | | | -- |
| 0060 | MECE00574 | 9017726 | CIRCUITBOARD, MAIN | 1,00 | | | -- |
| 0061 | MECE00139 | 897209 | RELAY 24V 70A | 1,00 | | | -- |
| 0062 | GUGO00460 | 897210 | MOUSSE, M20x15x18 | 1,00 | | | -- |



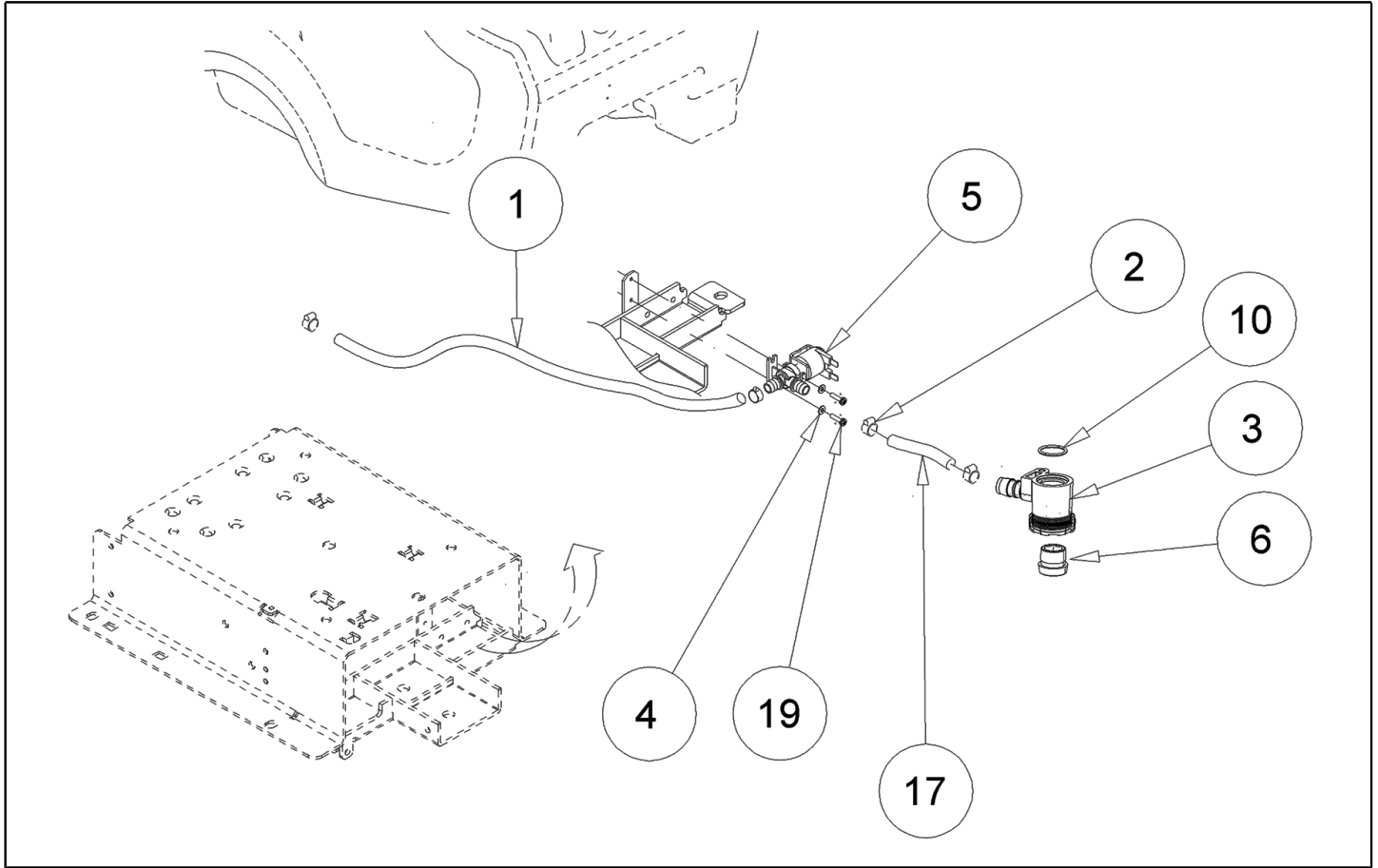
| Ref. K | Part N. | Part N. 2 | Description | Quantity | Validity | | Price |
|--------|-----------|-----------|----------------------------------|----------|------------|----|-------|
| | | | | | From | To | |
| 0001 | CUVR49833 | 9017719 | BEARING, AXLE | 2,00 | | | -- |
| 0002 | ALTR00088 | 897211 | AXLE | 1,00 | | | -- |
| 0003 | VTAE00065 | 897212 | RING D17 UNI7435 INOX | 2,00 | | | -- |
| 0004 | RTRT00366 | 897213 | WHEEL D200 X CLT 40 | 2,00 | | | -- |
| 0005 | VTRS00378 | 897214 | WASHER, M17.5X32X1.5 | 4,00 | 03/09/2012 | | -- |
| 0006 | VTRS13947 | 897152 | WASHER, D.8, UNI6592, INOX | 4,00 | | | -- |
| 0007 | VTDD01695 | 897124 | NUT, M8, INOX | 4,00 | | | -- |
| 0008 | VTVT15916 | 897184 | SCREW, TE, M8X16, UNI5739, A2 | 2,00 | | | -- |
| 0009 | VTRS13946 | 897120 | WASHER, D.8X24, UNI6593, INOX | 2,00 | | | -- |
| 0010 | VTRS15978 | 897215 | WASHER, D.12X24, UNI6592, INOX | 4,00 | | | -- |
| 0011 | VTRS15146 | 897216 | WASHER, D. 8, GRW, UNI1751, INOX | 2,00 | | | -- |
| 0012 | VTVT00842 | 897217 | SCREW | 4,00 | | | -- |



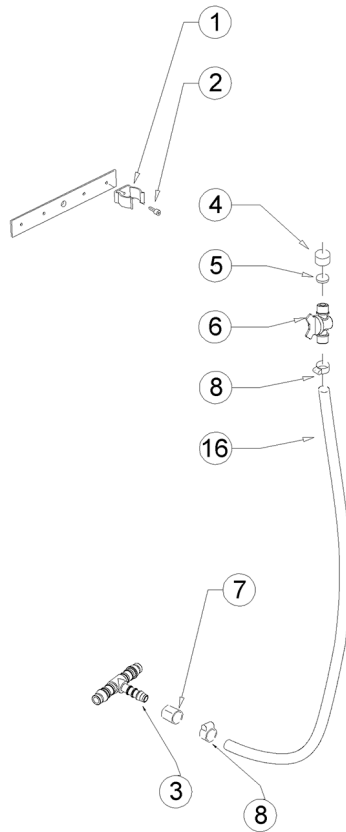
| Ref. K | Part N. | Part N. 2 | Description | Quantity | Validity | | Price |
|--------|-----------|-----------|---------------------------------|----------|------------|------------|-------|
| | | | | | From | To | |
| 0001 | LAFN06391 | 897218 | BUSHING BRUSH DECK SUPPORT | 5,00 | | | -- |
| 0002 | VTVT00259 | N/A | SCREW TE M12X120 | 1,00 | | | -- |
| 0003 | LAFN04190 | 897220 | BUSHING PARALLELOGR.TEST.GR. | 2,00 | | | -- |
| 0004 | LAFN07872 | 897221 | LEVER | 1,00 | | | -- |
| 0005 | LAFN09270 | 897222 | PEDAL BRUSH HEAD LIFTING | 1,00 | | | -- |
| 0006 | RTRT49171 | 9017728 | WHEEL, BRUSH, 80MM X 12MM | 1,00 | | | -- |
| 0007 | MFVR00226 | 897223 | SUPPORT SQUEEGEE | 1,00 | | | -- |
| 0008 | LAFN09006 | 897224 | PIN | 1,00 | | | -- |
| 0009 | LAFN51068 | 897225 | BUSHING LEVA POSTER. | 1,00 | | | -- |
| 0010 | VTRS13946 | 897120 | WASHER, D.8X24, UNI6593, INOX | 4,00 | | | -- |
| 0011 | VTVT00161 | 897226 | SCREW TE M6X20 | 1,00 | | 26/02/2019 | -- |
| 0011 | VTVT13939 | 897287 | SCREW TE 6X20 UNI5739 INX | 1,00 | 27/02/2019 | | -- |
| 0012 | LAFN10124 | 897227 | PLATE | 1,00 | | | -- |
| 0013 | VTDD01695 | 897124 | NUT, M8, INOX | 7,00 | | | -- |
| 0014 | LAFN07293 | 897228 | TANK, BASE | 1,00 | | | -- |
| 0015 | RTRT00689 | 9017788 | CASTER, SWIVEL, PU, 80MM X 25MM | 1,00 | | | -- |
| 0016 | VTDD15521 | 897229 | NUT, M8, UNI5588, INOX, A2 | 1,00 | | | -- |
| 0017 | MLML34726 | 897230 | SPRING TR E350 N | 1,00 | | | -- |
| 0018 | VTRS00245 | 897106 | WASHER D.6 UNI 6592 INOX | 2,00 | | | -- |
| 0019 | LAFN03840 | 897231 | BUSHING | 1,00 | | | -- |
| 0020 | VTVT15917 | 897232 | SCREW, TE, M8X50, INOX, A2 | 1,00 | | | -- |
| 0021 | VTVT15907 | 897233 | SCREW, TE, M8X25, UNI5739, INOX | 3,00 | | | -- |
| 0022 | MLML00313 | 897234 | SPRING | 1,00 | | | -- |
| 0023 | VTRS00274 | 897157 | WASHER NYLON 66 D. 84X17X2 | 1,00 | | | -- |
| 0024 | MLML31130 | 897235 | SPRING D. 17.5 X110 N38 | 1,00 | | | -- |
| 0025 | VTVR35749 | 897236 | HANDWHEEL, M6, MAX110, D.35 | 1,00 | | | -- |
| 0026 | MLML00303 | 897237 | SPRING, L54.1 D.9.1 | 1,00 | | | -- |
| 0027 | LAFN06388 | 897238 | ARM, MAINHEAD | 1,00 | | | -- |
| 0028 | LAFN06389 | 897239 | ARM, PARALLELOGRAM | 1,00 | | | -- |
| 0031 | VTDD01694 | 897138 | NUT M6 INOX | 2,00 | | | -- |
| 0032 | VTRS13947 | 897152 | WASHER, D.8, UNI6592, INOX | 1,00 | | | -- |
| 0033 | MPVR05186 | 897240 | COVER | 1,00 | | | -- |
| 0034 | VTRS15978 | 897215 | WASHER, D.12X24, UNI6592, INOX | 4,00 | | | -- |
| 0035 | VTDD00176 | 897241 | NUT, M.12, INOX, A2 | 3,00 | | | -- |
| 0036 | VTVT00836 | 897242 | SCREW TE M12, 60 INOX | 1,00 | | | -- |
| 0037 | VTRS13947 | 897152 | WASHER, D.8, UNI6592, INOX | 4,00 | | | -- |
| 0038 | VTRS15978 | 897215 | WASHER, D.12X24, UNI6592, INOX | 2,00 | | | -- |
| 0040 | VTDD01694 | 897138 | NUT M6 INOX | 5,00 | | | -- |
| 0041 | VTRS00245 | 897106 | WASHER D.6 UNI 6592 INOX | 1,00 | | | -- |
| 0042 | VTVT00410 | 897243 | SCREW TE M8x35 UNI5739 INOX | 1,00 | | | -- |
| 0043 | VTVT15371 | 897244 | SCREW, TE, M8X45, INOX, A2 | 1,00 | | | -- |
| 0044 | MPVR05134 | 897568 | GASKET, 12B 60D | 1,00 | | | -- |
| 0045 | VTRS00245 | 897106 | WASHER D.6 UNI 6592 INOX | 1,00 | | | -- |
| 0046 | VTDD15521 | 897229 | NUT, M8, UNI5588, INOX, A2 | 2,00 | | | -- |



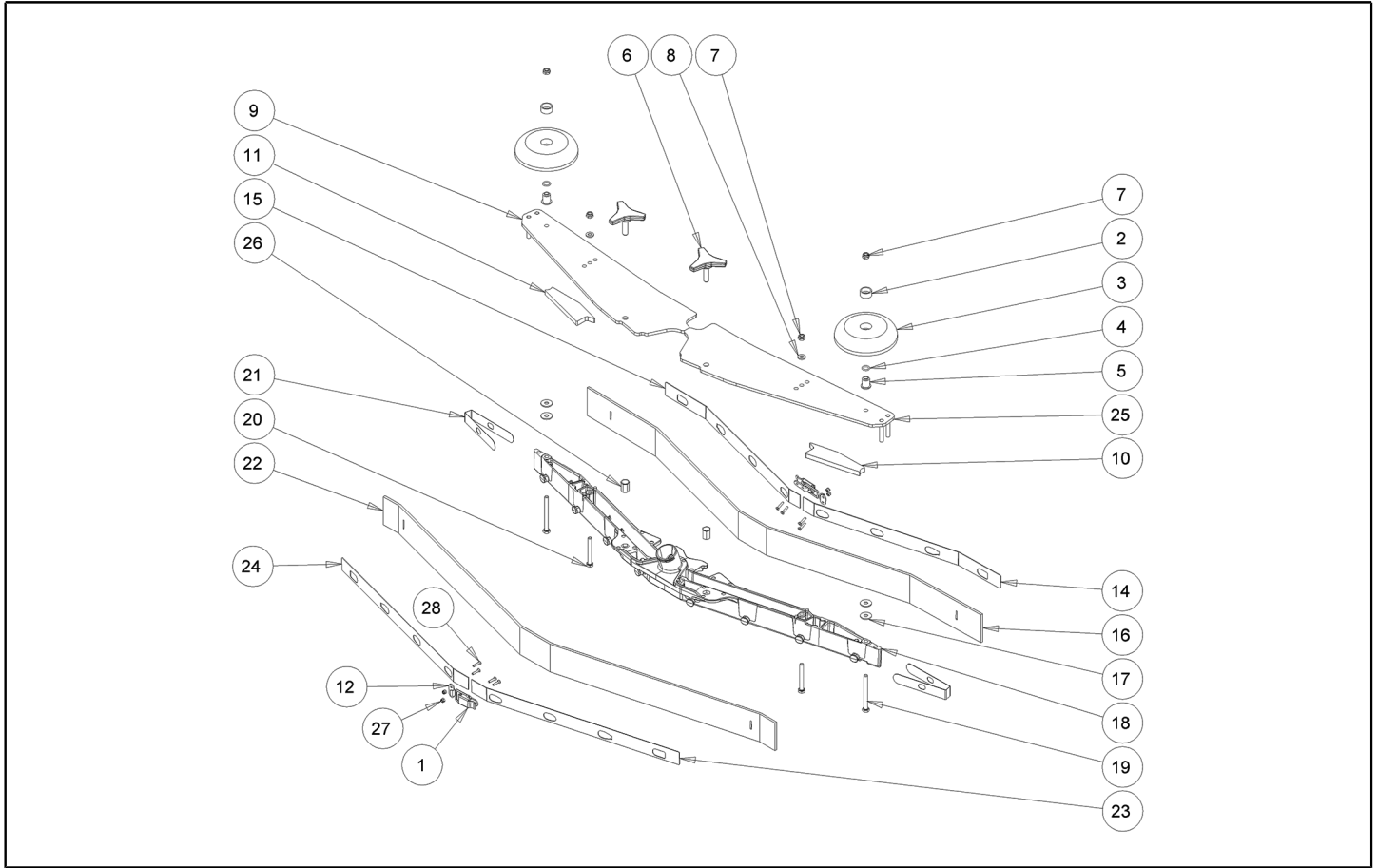
| Ref. K | Part N. | Part N. 2 | Description | Quantity | Validity | | Price |
|--------|-----------|-----------|-------------------------------------|----------|------------|------------|-------|
| | | | | | From | To | |
| 0047 | VTVT13937 | 897246 | SCREW, TE, M8X30, UNI5739, INOX | 2,00 | | | -- |
| 0050 | VTRS09142 | 897247 | WASHER, D. 12X36X2.5, UNI6593 | 1,00 | | | -- |
| 0051 | LAFN35747 | 897248 | SPRING SUPPORT LAV. E/B 450 | 1,00 | | | -- |
| 0052 | VTVT13937 | 897246 | SCREW, TE, M8X30, UNI5739, INOX | 1,00 | | | -- |
| 0053 | VTDD01695 | 897124 | NUT, M8, INOX | 1,00 | | | -- |
| 0054 | MLML00338 | 897249 | SPRING | 1,00 | | | -- |
| 0055 | VTRS13945 | 897112 | WASHER D. 6X18 INX UNI 6593 | 1,00 | | 27/03/2018 | -- |
| 0055 | LAFN06391 | 897218 | BUSHING BRUSH DECK SUPPORT | 1,00 | 28/03/2018 | | -- |
| 0056 | VTDD01694 | 897138 | NUT M6 INOX | 1,00 | | | -- |
| 0057 | VTDD00053 | 897250 | NUT, M6, UNI5589, INOX | 2,00 | | | -- |
| 0058 | LAFN09231 | 897251 | BRACKET, M6X11X29 | 1,00 | | | -- |
| 0060 | VTVT01008 | 897252 | SCREW, M6X110 | 1,00 | | | -- |
| 0061 | VTVT01009 | 897253 | SCREW, M8X60 | 1,00 | | | -- |
| 0062 | MFVR00227 | 897254 | SUPPORT SQUEEGEE | 1,00 | | | -- |
| 0063 | VTRS00274 | 897157 | WASHER NYLON 66 D. 84X17X2 | 2,00 | | | -- |
| 0064 | MPVR06069 | 897255 | WASHER, M15X40 | 1,00 | | | -- |
| 0065 | VTRS15919 | 897544 | WASHER, D.12, GROVER, UNI1751, INOX | 1,00 | | | -- |
| 0079 | VTRS15146 | 897216 | WASHER, D. 8, GRW, UNI1751, INOX | 1,00 | | | -- |
| 0080 | VTRS09142 | 897247 | WASHER, D. 12X36X2.5, UNI6593 | 2,00 | | | -- |



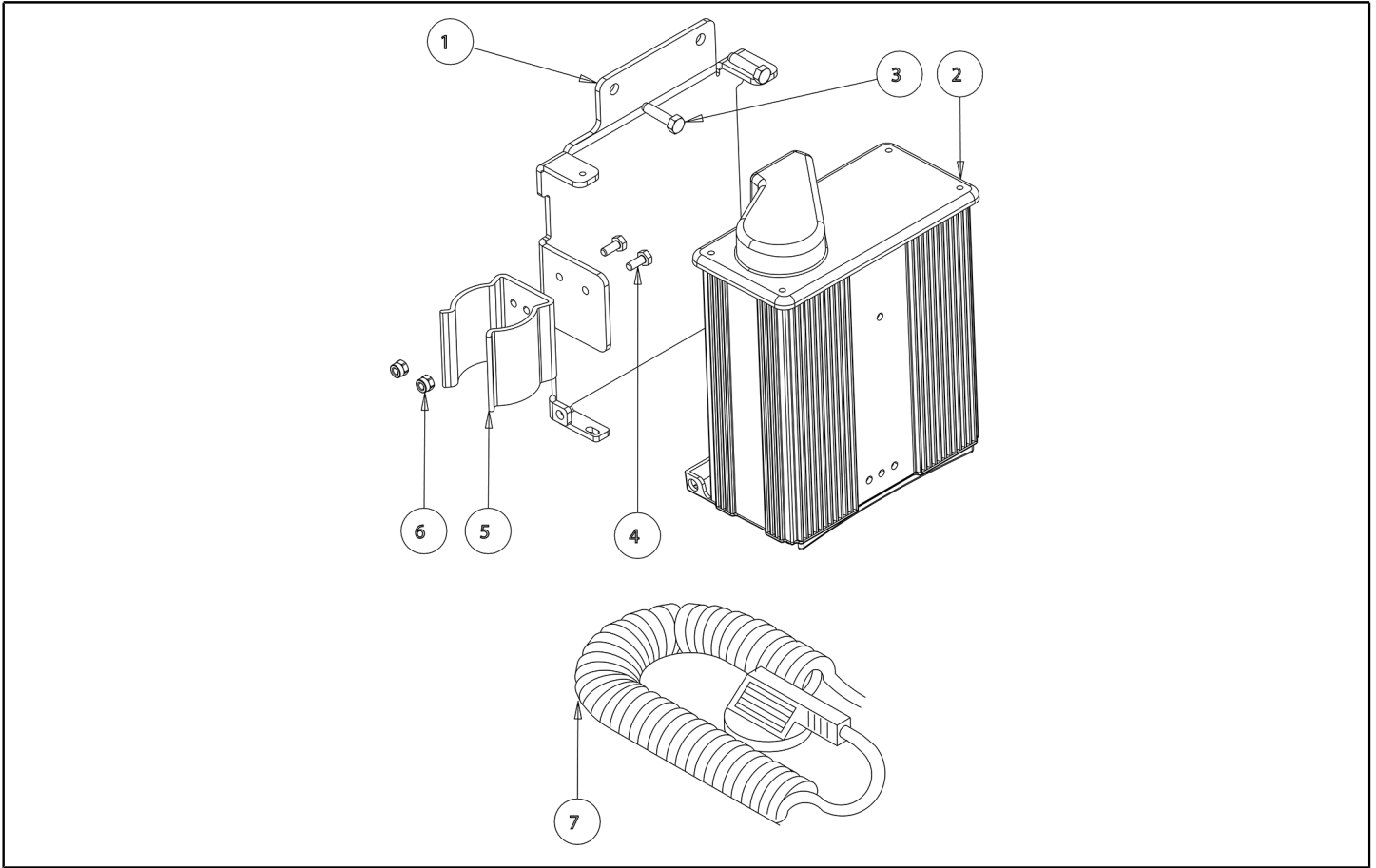
| Ref. K | Part N. | Part N. 2 | Description | Quantity | Validity | | Price |
|--------|-----------|-----------|--------------------------------|----------|----------|----|-------|
| | | | | | From | To | |
| 0001 | TBFX48011 | 897256 | TUBE FLEX D.12X3 ARMORV.PVC TR | 0,71 | | | -- |
| 0002 | FSVR00261 | 897257 | CLAMP | 2,00 | | | -- |
| 0003 | FTAC00076 | 9018584 | FILTER, WATER, SOLNT, COMPL | 1,00 | | | -- |
| 0004 | VTRS00515 | 897156 | WASHER D. 4 INX | 2,00 | | | -- |
| 0005 | MEEV00036 | 9017718 | VALVE, WATER, SOLENOID, 24VDC | 1,00 | | | -- |
| 0006 | LAFN08230 | 9018512 | SCREW, M20, SS | 1,00 | | | -- |
| 0010 | GUGO00462 | 897261 | GASKET OR 21.2X3 | 1,00 | | | -- |
| 0017 | TBFX48011 | 897256 | TUBE FLEX D.12X3 ARMORV.PVC TR | 0,17 | | | -- |
| 0019 | VTVT01158 | 897262 | SCREW, M4X16 | 2,00 | | | -- |



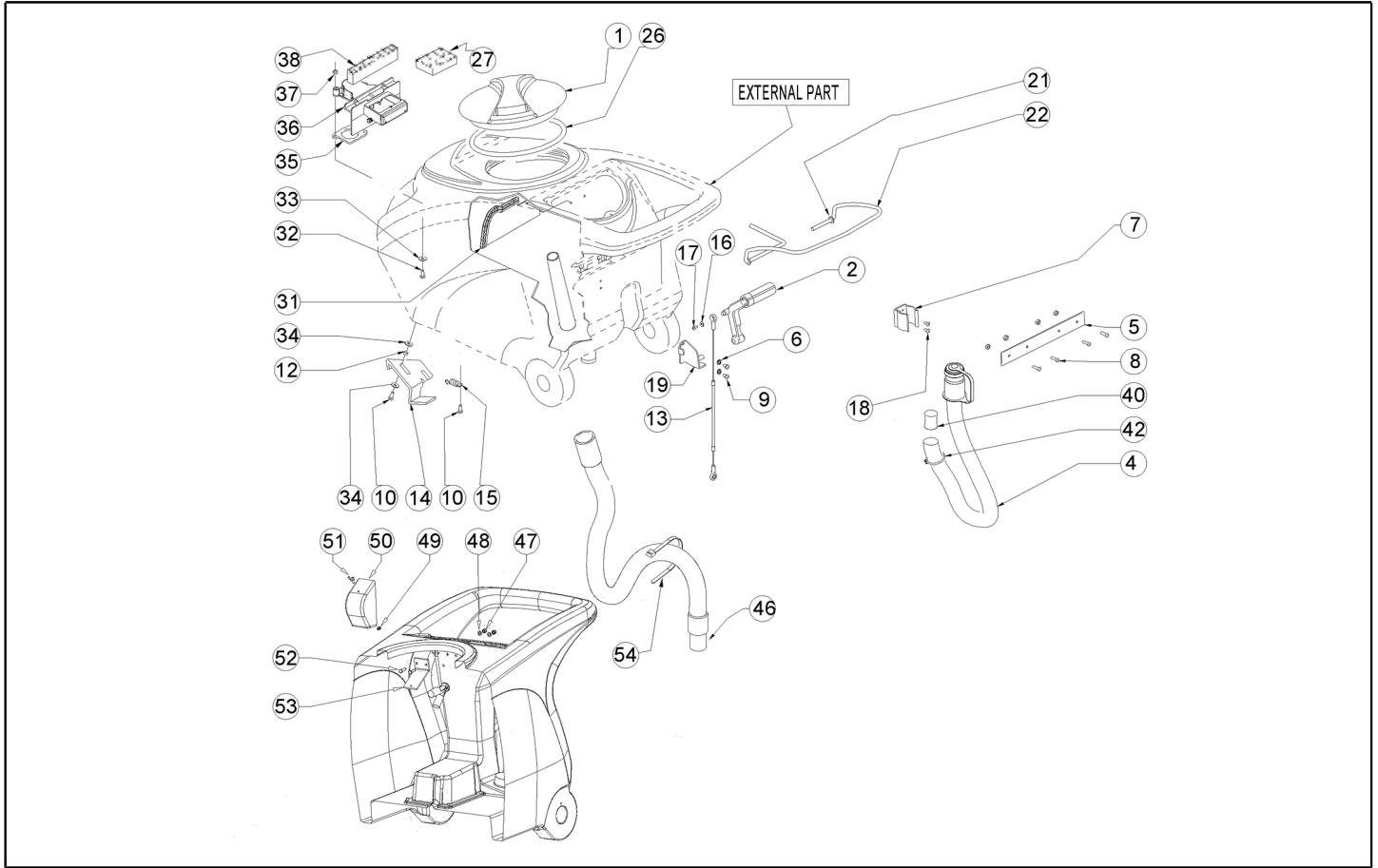
| Ref. K | Part N. | Part N. 2 | Description | Quantity | Validity | | Price |
|--------|-----------|-----------|---------------------------------|----------|------------|------------|-------|
| | | | | | From | To | |
| 0001 | MPVR05280 | 897266 | CLIP, M25 | 1,00 | | | -- |
| 0002 | VTVT19236 | 897267 | SCREW, M5X20, TCCE, UNI5931, ZB | 1,00 | | 27/02/2019 | -- |
| 0002 | VTVT00339 | VTVT00339 | SCREW TCEI M5x20 | 1,00 | 28/02/2019 | | -- |
| 0003 | RCVR00483 | 897268 | CONNECTOR 3 VIE | 1,00 | | | -- |
| 0004 | RCVR00353 | 897269 | CAP 1/2"G X ELETTR. ACL | 1,00 | | | -- |
| 0005 | GUGO00268 | 897270 | GASKET D.21 SP.3 GOMMA | 1,00 | | | -- |
| 0006 | RCVR00590 | 897271 | CONNECTOR 1/2 M RESCA 15 | 1,00 | | | -- |
| 0007 | TBFX01215 | 897272 | TUBE, D.30X12X17 | 1,00 | | | -- |
| 0008 | FSVR00256 | 897273 | CLAMP | 1,00 | | | -- |
| 0016 | TBBP00435 | 897274 | TUBE, D.16 | 1,00 | | | -- |



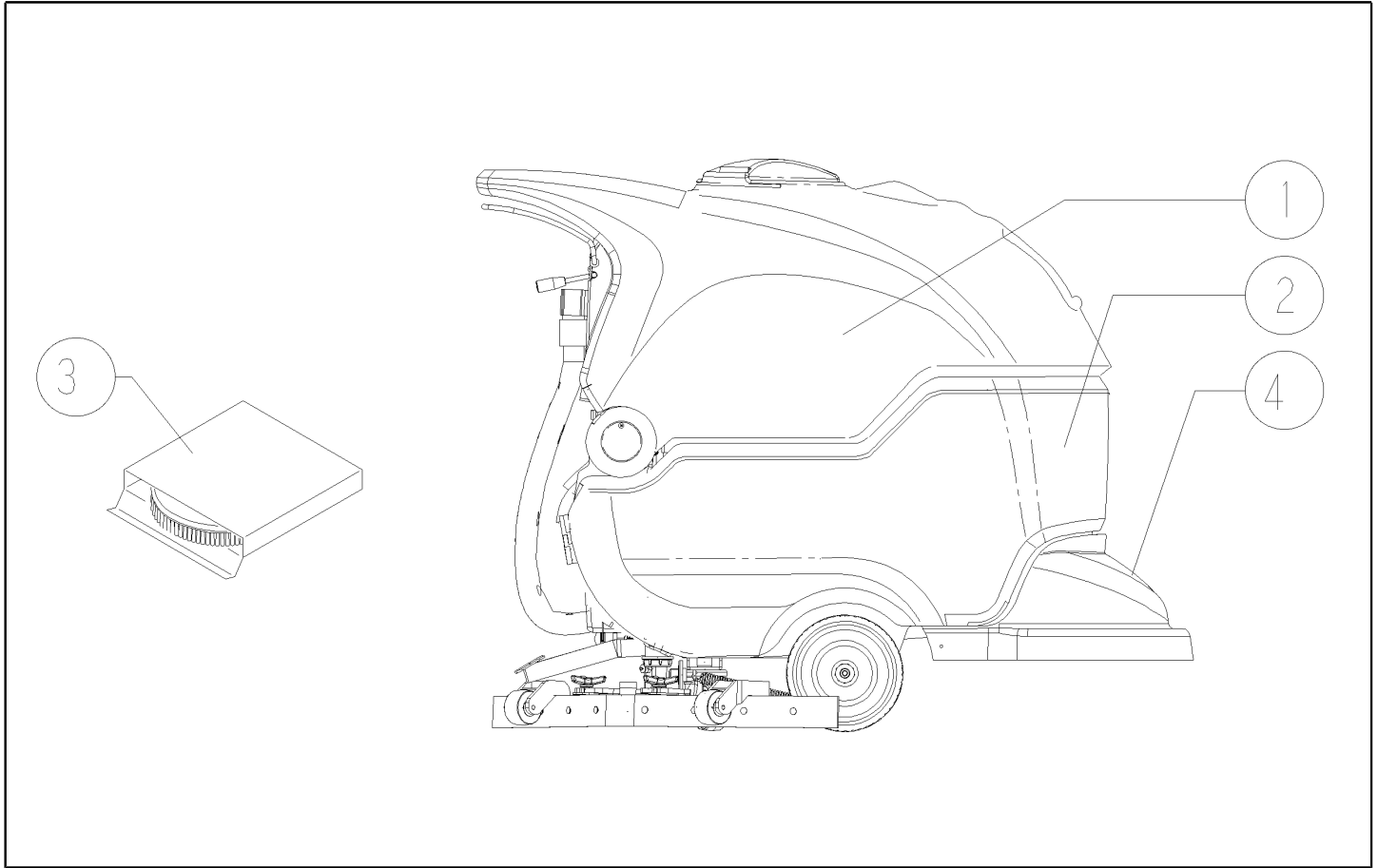
| Ref. K | Part N. | Part N. 2 | Description | Quantity | Validity | | Price |
|--------|-----------|-----------|-----------------------------------|----------|----------|----|-------|
| | | | | | From | To | |
| 0001 | LAFN09302 | 9018492 | LATCH, STRAP, SQGE | 2,00 | | | -- |
| 0002 | MPVR49229 | 897100 | SLEEVE, NYLON, 0,314b 0,72d 0,35l | 2,00 | | | -- |
| 0003 | MPVR05290 | 897101 | WHEEL, BMPR, 98,5d X 21,5W | 2,00 | | | -- |
| 0004 | GUGO00164 | 897102 | O-RING, 13,00 Od X 10,00 Id | 2,00 | | | -- |
| 0005 | LAFN04100 | 897103 | SPACER, 6,00b 12,00d 16,5l, CPR | 2,00 | | | -- |
| 0006 | MPVR06004 | 897104 | KNOB, TRI, M8x35 [YEL] | 2,00 | | | -- |
| 0007 | VTDD01700 | 897105 | NUT M6 INOX+ZIN. | 2,00 | | | -- |
| 0008 | VTRS00245 | 897106 | WASHER D.6 UNI 6592 INOX | 2,00 | | | -- |
| 0009 | LAFN09012 | 897107 | PLATE | 1,00 | | | -- |
| 0010 | GUVR00301 | 897108 | GASKET | 1,00 | | | -- |
| 0011 | GUVR00300 | 897109 | GASKET | 1,00 | | | -- |
| 0012 | LAFN09301 | 9018495 | HOOK, STRAP, SQGE | 2,00 | | | -- |
| 0014 | LAFN09279 | 897110 | BLADE HOLDER S SIZE ANT. RIGHT | 1,00 | | | -- |
| 0015 | LAFN09280 | 897561 | STRAP, SQGE, S, REAR, RH | 1,00 | | | -- |
| 0016 | MPVR06543 | 9017699 | BLADE, SQGE, FRONT, 880L, LINATEX | 1,00 | | | -- |
| 0017 | VTRS13945 | 897112 | WASHER D. 6X18 INX UNI 6593 | 4,00 | | | -- |
| 0018 | KTRI02048 | 897113 | BODY SQUEEGEE PRESSOFUSO "S" | 1,00 | | | -- |
| 0019 | VTVT00841 | 897114 | SCREW, M6X65, SS | 2,00 | | | -- |
| 0020 | VTVT15515 | 897115 | SCREW, M6X55, SS | 2,00 | | | -- |
| 0021 | MPVR05897 | 897116 | CLOSURE S | 2,00 | | | -- |
| 0022 | MPVR06544 | 9017702 | BLADE, SQGE, REAR, 900L, LINATEX | 1,00 | | | -- |
| 0023 | LAFN09281 | 9018493 | STRAP, SQGE | 1,00 | | | -- |
| 0024 | LAFN09283 | 9018494 | STRAP, SQGE | 1,00 | | | -- |
| 0025 | LAFN09013 | 897117 | PLATE | 1,00 | | | -- |
| 0026 | VTVR00565 | 897118 | INSERT | 2,00 | | | -- |
| 0027 | VTDD00210 | 9018496 | NUT M 3 AUTOBL.DIN 985 IX.A2 | 8,00 | | | -- |
| 0028 | VTVT01070 | 9018497 | BOLT, STRAP, SQGE | 8,00 | | | -- |



| Ref. K | Part N. | Part N. 2 | Description | Quantity | Validity | | Price |
|--------|-----------|-----------|--|----------|----------|----|-------|
| | | | | | From | To | |
| 0001 | LAFN07333 | 897275 | BRACKET | 1,00 | | | -- |
| 0002 | BACA00255 | N/A | BATTERY-CHARGER CBHD1 24V 10A 100/240V | 1,00 | | | -- |
| 0003 | VTVT07726 | 897170 | SCREW TE 5X20 | 2,00 | | | -- |
| 0004 | VTVT21096 | 897151 | SCREW TE M 4X 10 INX | 2,00 | | | -- |
| 0005 | MPVR46988 | 9017721 | CLIP, HOSE, RECVM | 1,00 | | | -- |
| 0006 | VTDD00055 | 897276 | NUT M 4 ATB A2 | 2,00 | | | -- |
| 0007 | MECB02065 | MECB02065 | CORD, POWER, CHRGR [S7 ANZ] | 1,00 | | | -- |



| Ref. K | Part N. | Part N. 2 | Description | Quantity | Validity | | Price |
|--------|-----------|-----------|--------------------------------|----------|------------|------------|-------|
| | | | | | From | To | |
| 0001 | MPVR12975 | N/A | TANK CAP RAL7024 | 1,00 | | | -- |
| 0002 | MPVR49942 | 9017688 | LEVER, LIFT, SQGE | 1,00 | | | -- |
| 0004 | TBFX01299 | N/A | HOSE DRAIN PU MY'21 CT40/70/90 | 1,00 | | | -- |
| 0005 | LAFN05865 | 897144 | PLATE COPRILEVA CONSENSO | 1,00 | | | -- |
| 0006 | VTRS15908 | 897644 | WASHER D. 5 INX GRW UNI 1751 | 2,00 | | | -- |
| 0007 | MPVR46988 | 9017721 | CLIP, HOSE, RECVY | 1,00 | | | -- |
| 0008 | VTVT07725 | 897145 | SCREW TE 5X16 UNI5739 INX | 4,00 | | | -- |
| 0009 | VTVT01300 | 897459 | SCREW, M5X12, TE, INOX | 2,00 | | | -- |
| 0010 | VTVT15143 | 897128 | SCREW TE 6X16 UNI5739 | 3,00 | | | -- |
| 0012 | LAFN03626 | 897146 | SPACER | 1,00 | | | -- |
| 0013 | CMCV00464 | 9017715 | CABLE, LIFT, SQGE | 1,00 | | | -- |
| 0014 | LAFN06490 | 897147 | HANDLE | 1,00 | | | -- |
| 0015 | MLML00203 | 897148 | SPRING | 1,00 | | | -- |
| 0016 | VTRS00251 | 897149 | WASHER 4-16 INOX A2 | 1,00 | | | -- |
| 0017 | VTVT00800 | 897150 | SCREW, TC, M4X12, ZN | 1,00 | | | -- |
| 0018 | VTVT21096 | 897151 | SCREW TE M 4X 10 INX | 2,00 | | | -- |
| 0019 | LAFN05870 | 9018371 | BRACKET, LIFT, SQGE | 1,00 | | | -- |
| 0021 | VTRS13947 | 897152 | WASHER, D.8, UNI6592, INOX | 2,00 | | | -- |
| 0022 | LAFN09339 | 897153 | LEVER HANDLE ACTIVATION | 1,00 | | | -- |
| 0026 | GUGO00263 | 9017711 | SEAL, COVER, RECVY TANK | 1,00 | | | -- |
| 0027 | FTDP00133 | 9017713 | FILTER, VACUUM | 1,00 | | | -- |
| 0031 | MPVR07074 | 897154 | PLATE | 1,00 | | | -- |
| 0032 | VTVT00814 | 897155 | SCREW, TE, M.4X25 | 2,00 | | | -- |
| 0033 | VTRS00515 | 897156 | WASHER D. 4 INX | 2,00 | | | -- |
| 0034 | VTRS00274 | 897157 | WASHER NYLON 66 D. 84X17X2 | 4,00 | | | -- |
| 0035 | GUGO00417 | 897158 | GASKET SCATOLA ASPIRAZIONE | 1,00 | | | -- |
| 0036 | MPVR05482 | 897159 | BOX | 1,00 | | | -- |
| 0037 | VTDD15925 | 897160 | NUT, M4, INOX, ZN | 2,00 | | | -- |
| 0038 | GUGO00418 | 897161 | GASKET CONDOTTO ASPIRAZIONE | 1,00 | | | -- |
| 0040 | GUGO00245 | 897162 | GASKET | 2,00 | | 28/09/2020 | -- |
| 0042 | FSVR00095 | | CLAMP 30-45 | 1,00 | | | -- |
| 0046 | TBFX00352 | 897164 | TUBE, SUCTION, PU | 1,00 | | 22/05/2018 | -- |
| 0046 | TBFX00353 | N/A | TUBE SUCTION CT40-51-55-70-90 | 1,00 | 23/05/2018 | | -- |
| 0047 | VTDD01693 | VTDD01693 | NUT, M5, INOX | 2,00 | | | -- |
| 0048 | VTRS00516 | 897166 | WASHER, D. 5, INOX | 4,00 | | | -- |
| 0049 | VTVR01038 | 897167 | WASHER | 1,00 | | | -- |
| 0050 | MPVR05596 | 897168 | PROTECTION | 1,00 | | | -- |
| 0051 | VTVT01150 | 897169 | SCREW, M4X10 | 1,00 | | | -- |
| 0052 | VTVT07726 | 897170 | SCREW TE 5X20 | 2,00 | | | -- |
| 0053 | LAFN07631 | 897171 | BRACKET | 1,00 | | | -- |
| 0054 | FSVR00248 | 897172 | CLAMP | 1,00 | | | -- |



| Ref. K | Part N. | Part N. 2 | Description | Quantity | Validity | | Price |
|--------|-----------|-----------|------------------------------|----------|----------|----|-------|
| | | | | | From | To | |
| 0001 | MPVR12900 | N/A | TANK RECOVERY PT40 BLUE 5021 | 1,00 | | | -- |
| 0002 | MPVR12974 | N/A | TANK SOLUTION PT40 BLUE 5021 | 1,00 | | | -- |
| 0003 | SPPV00317 | 9017710 | DRIVER ASSY, PAD, 50CM | 1,00 | | | -- |
| 0004 | MPVR12973 | N/A | BRUSH PROTECT. 55 RAL7024 | 1,00 | | | -- |