



# T581

Rider Floor Scrubber

Parts Manual



Model Part No.:  
**LPTB03306 - SCRUBBER [ T581 60CM, CD, PD, ANZ]**

**TennantTrue® Parts**

**ANZ**



To view, print or download  
Tennant manuals, visit:

[www.tennantco.com/manuals](http://www.tennantco.com/manuals)

**Rev. 00 (08-2022)**

Only use TENNANT Company supplied or equivalent parts. Parts and supplies may be ordered online, by phone or from any Tennant Authorized Service Center or Distributor.

Before Ordering any parts or supplies, be sure to have the machine model number and serial number available.

**Tennant Company**  
10400 Clean Street  
Eden Prairie, MN 55344-2650 USA  
NA Phone: (800) 553-8033  
ANZ Phone: 1800 226 843  
[www.tennantco.com](http://www.tennantco.com)  
[www.tennantco.com.au](http://www.tennantco.com.au)

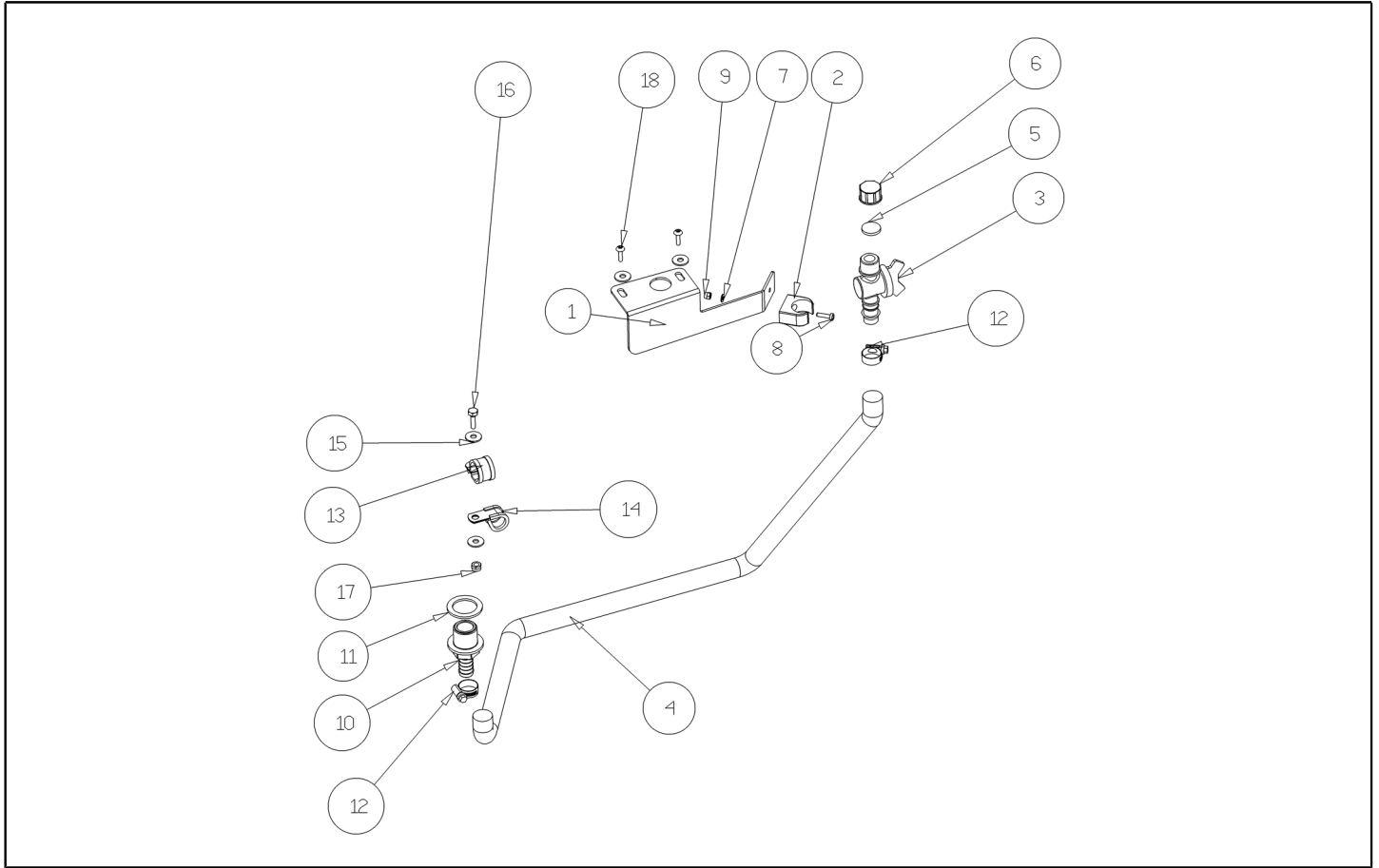
Specifications and parts are subject to change without notice.

Copyright © 2022 TENNANT Company

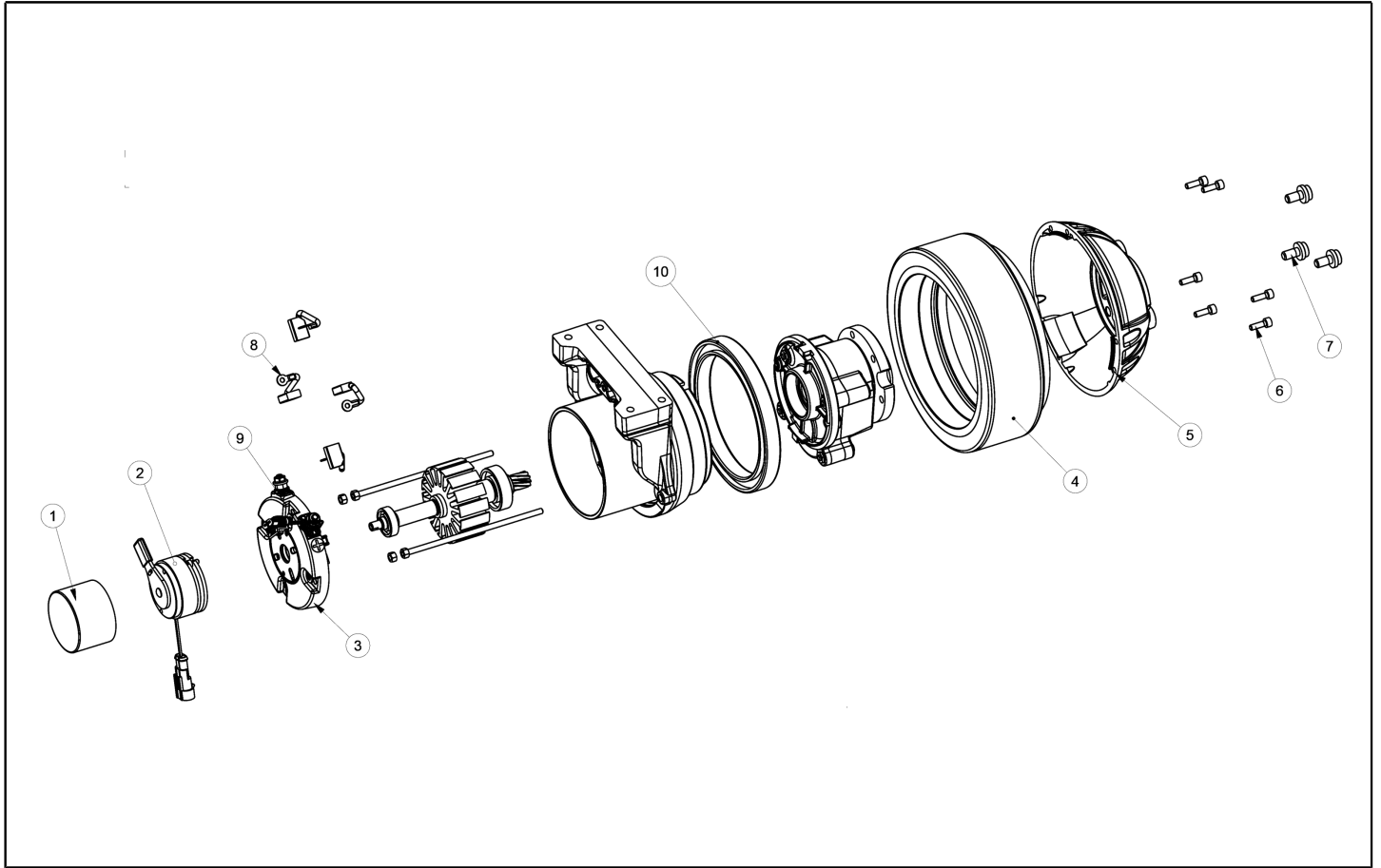
## T581 RECOMMENDED SPARE PARTS LIST

Part No.	WEAR PARTS
9017729	BRUSH ASSY, DISK, SCB, 30CM, 3-LUG, PYP [STANDARD]
SPPV01514	BRUSH ASSY, DISK, SCB, 30CM, 3-LUG, PYP, SOFT [OPTION]
9017731	BRUSH ASSY, DISK, ABR, 30CM, 3-LUG, 120 GRIT [OPTION]
9017735	DRIVER ASSY, PAD, 30CM [OPTION]
9017813	BLADE, SQGE, FRONT, 1020L, LINATEX [STANDARD]
9017814	BLADE, SQGE, REAR, 1020L, LINATEX [STANDARD]
9017801	BLADE, SQGE, FRONT, 1020L, LATEX [OPTION]
9017804	BLADE, SQGE, REAR, 1020L, LATEX [OPTION]
9017806	BLADE, SQGE, FRONT, 1020L, PYU [OPTION]
9017811	BLADE, SQGE, REAR, 1020L, PYU [OPTION]
9018499	BLADE, SQGE, SIDE, RH, URE
9018500	BLADE, SQGE, SIDE, LH, URE
9017841	FLAP, CENTER, BRUSH
Part No.	SERVICE PARTS
L-GF06180V	BATTERY, 12V , GEL 180AH
PMVR40092	SQUEEGEE ASSY, LINATEX BLADES [T581 50-60CM]
9018509	MOTOR, VACUUM, 24VDC
9017687	BRUSH, CARBON, VAC FAN
9017799	ISOLATOR, VAC FAN
9017843	MOTOR, BRUSH, 24VDC
9017822	CIRCUITBOARD, DRIVE
9017686	BRUSH KIT, CARBON, BRUSH MOTOR [4 PC]
9017784	BRUSH, CARBON, TRANSAXLE MOTOR
9018401	GASKET, MOTOR, VACUUM
9017785	FILTER, MOTOR, VAC FAN
9017786	HOSE ASSY, RECOVERY
897466	SCREEN, FILTER
9017790	SENSOR, LEVEL, LIQ
9017793	HOSE ASSY, DRAIN
9017794	CAP KIT, DRAIN HOSE, RECVY
9017795	SENSOR, POSITION, DRIVE
9017718	VALVE, WATER, SOLENOID, 24VDC
9017800	TIRE, SOLID, PYU
9017802	CAP KIT, DRAIN PLUG W/GASKET
9017805	ACTUATOR, BRUSH HEAD, 24VDC
9017803	ACTUATOR, SQGE, 24VDC
9017807	DRIVE ASSY, WHEEL
9017808	BRAKE ASSY, W/LEVER, COMPLT
9017809	WHEEL, SCRBR, 250MM X 60MM
9017815	FUSE 30A
MEVR01132	FUSE 5A
9017819	FUSE 100A
MEVR00584	FUSE 3 A
9017821	CIRCUITBOARD, MAIN
9017823	CIRCUITBOARD, DISPLAY PANEL
897553	CHARGER, 24VDC/25A
MECB02065	CORD, POWER, CHRGR [ANZ]

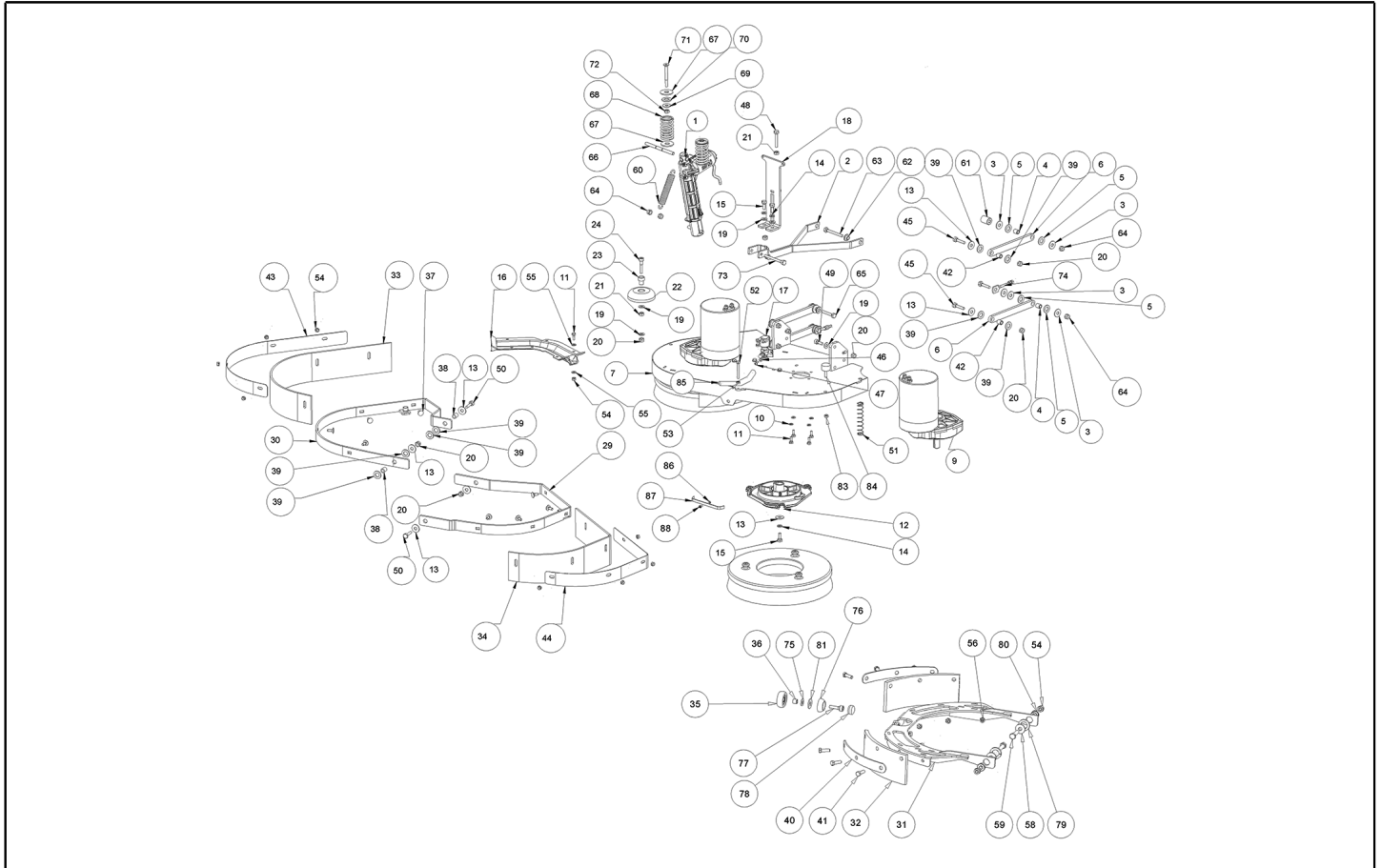
KTRI06691



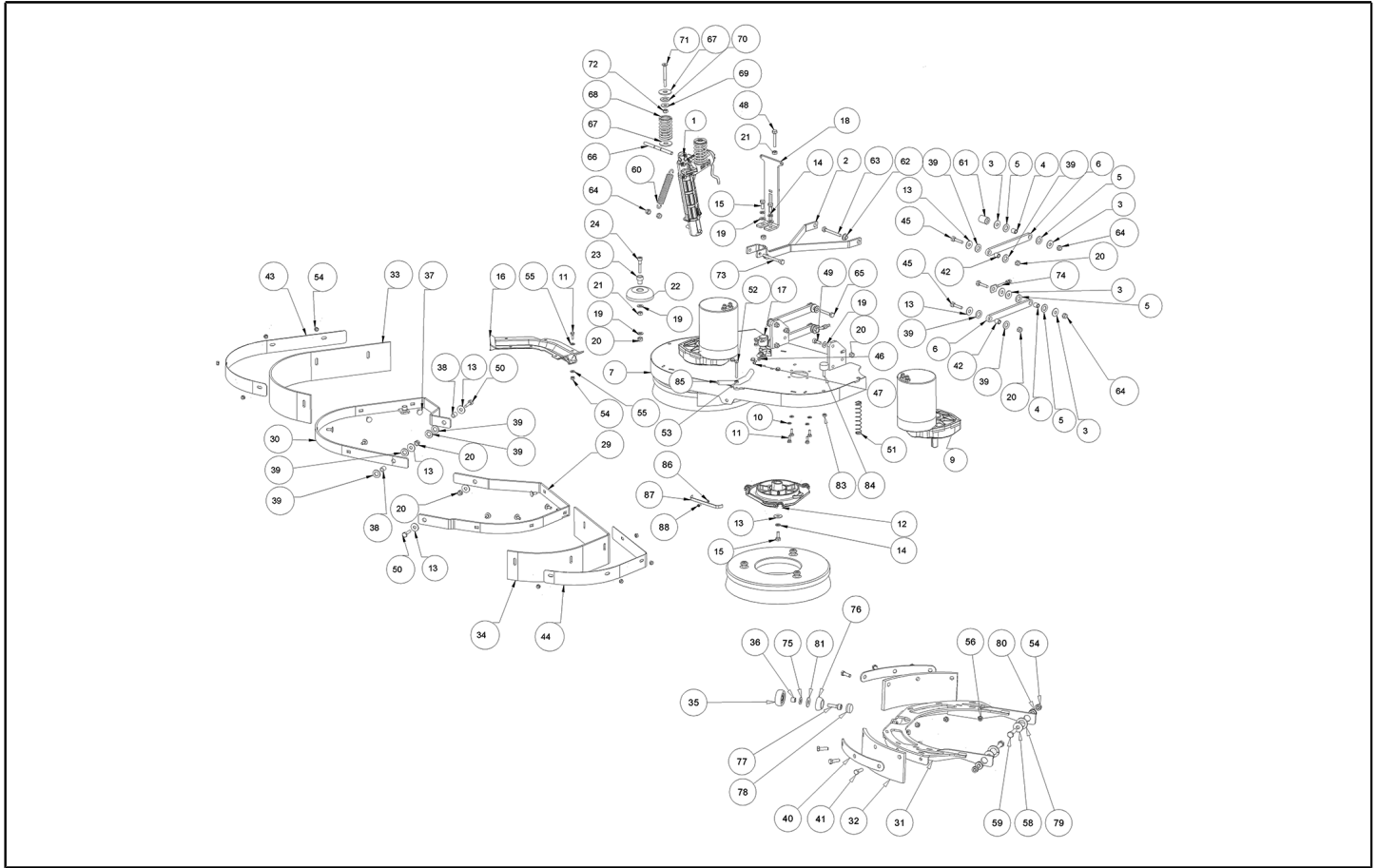
Ref. K	Part N.	Part N. 2	Description	Quantity	Validity		Price
					From	To	
0001	LAFN08138	897358	BRACKET, DRAIN, VALVE	1,00			--
0002	MPVR05280	897266	CLIP, M25	1,00			--
0003	RCVR00590	897271	CONNECTOR 1/2 M RESCA 15	1,00			--
0004	TBBP00743	897656	HOSE, DRAIN, SOLTN	1,00			--
0005	GUGO00268	897270	GASKET D.21 SP.3 GOMMA	1,00			--
0006	RCVR00353	897269	CAP 1/2"G X ELETTRIV. ACL	1,00			--
0007	VTRS00515	897156	WASHER D. 4 INX	1,00			--
0008	VTVT15924	897359	SCREW, TCTC, M4X16, ACCIAIO, INOX	1,00			--
0009	VTDD15925	897160	NUT, M4, INOX, ZN	1,00			--
0010	RCVR00795	897360	FITTING, PLASTIC, 3/4	1,00			--
0011	MPVR07077	897361	CRANKCASE FRONTALE 705 GRIGIO	1,00			--
0012	FSVR00428	897362	CLAMP, HOSE, WORMDRIVE, 12- 20D	2,00			--
0013	MEVR02096	897363	FAIR, LEAD	1,00			--
0014	FSVR00043	897364	CLAMP, STL, 16D, INSULATED	1,00			--
0015	VTRS13945	897112	WASHER D. 6X18 INX UNI 6593	4,00			--
0016	VTVT13939	897287	SCREW TE 6X20 UNI5739 INX	1,00			--
0017	VTDD01694	897138	NUT M6 INOX	1,00			--
0018	VTVT00651	897329	SCREW, TBEI, M5x16, INOX	2,00			--



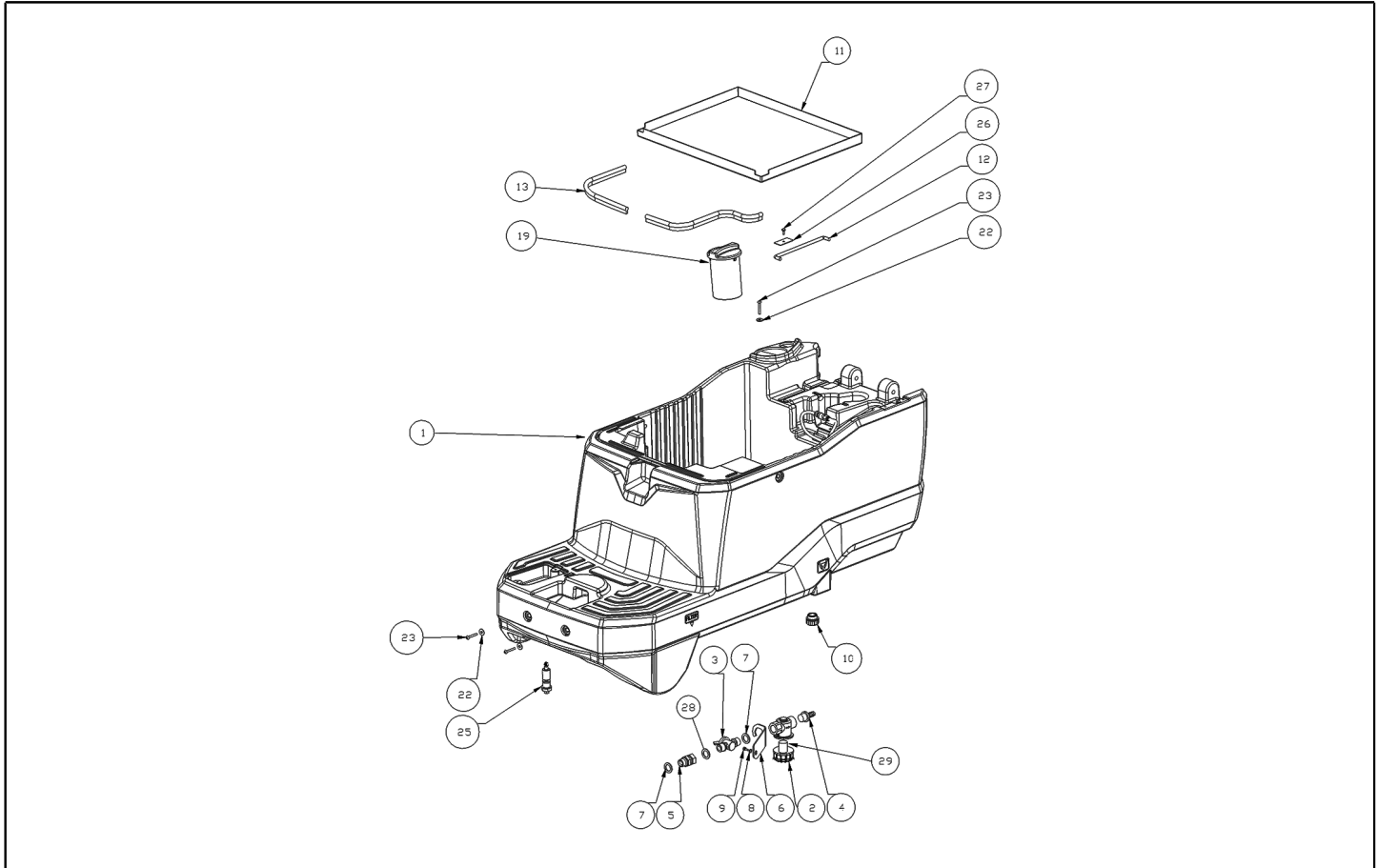
Ref. K	Part N.	Part N. 2	Description	Quantity	Validity		Price
					From	To	
0001	MPVR06463	897365	COVER, BRAKE ASSY	1,00			--
0002	MEVR01757	9017808	BRAKE ASSY, W/LEVER, COMPLT	1,00			--
0003	KTRI02294	897366	RING, BRUSHHOLDER	1,00			--
0004	RTRT00552	9017800	TIRE, SOLID, PYU	1,00			--
0005	MPVR06464	897367	COVER, ALM	1,00			--
0006	VTVT01552	N/A	SCREW .	6,00			--
0007	VTVT01551	N/A	SCREW .	3,00			--
0008	MEVR34441	9017784	VR, BRUSH, MOTOR, TRANSAXLE	4,00			--
0009	MEVR02387	897368	SENSOR, THERMAL	1,00			--
0010	CUVR00220	897369	BEARING, TRACTION, MOTOR	1,00			--



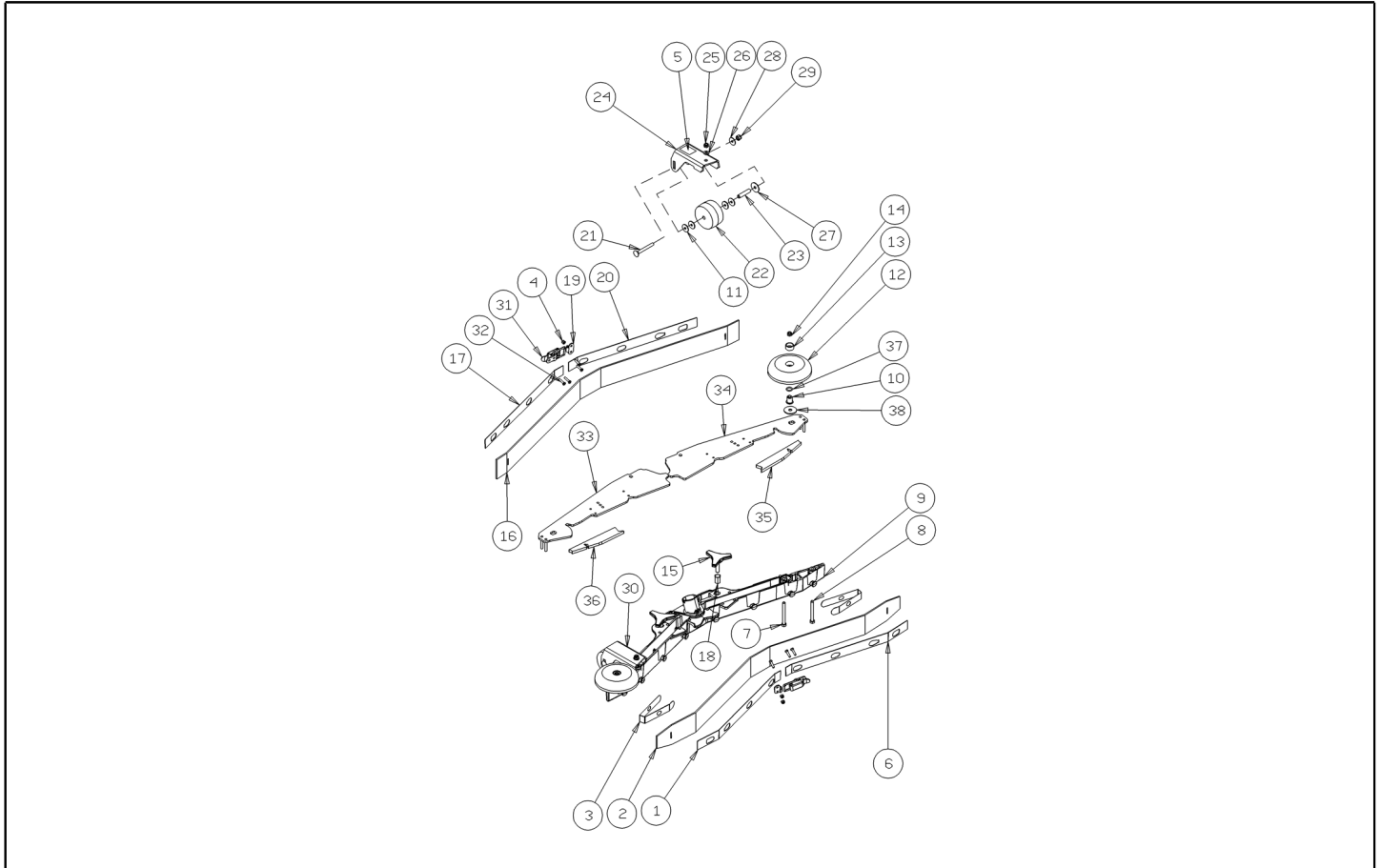
Ref. K	Part N.	Part N. 2	Description	Quantity	Validity		Price
					From	To	
0001	MOCC00423	9017805	ACTUATOR, BRUSH HEAD, 24VDC	1,00			--
0002	LAFN09305	897517	ARM, ACTUATOR	1,00			--
0003	VTRS13946	897120	WASHER, D.8X24, UNI6593, INOX	4,00			--
0004	LAFN04151	897370	BUSHING, 8B 12D 14	2,00			--
0005	VTRS43258	897371	WASHER, 13B 24D 2.5, NYL	4,00			--
0006	LAFN09298	897372	PLAT, ARM, SCB HEAD	4,00			--
0007	LAFN09307	897518	HEAD, SCB, 600MM	1,00			--
0009	MOCC00437	9017843	MOTOR, BRUSH, 24VDC	2,00			--
0009	MEVR02896	N/A	ROTOR FOR MOTOR MOCC00437	1,00			--
0009	MOCC00344	9017686	VR, BRUSH KIT, MOTOR, BRUSH [4 PC]	1,00			--
0009	RDGR00043	N/A	REDUCTION UNIT -	1,00			--
0010	VTRS15144	897129	WASHER D. 6 INX GRW UNI 1751	8,00			--
0011	VTVT15143	897128	SCREW TE 6X16 UNI5739	14,00			--
0012	MFVR00212	9017812	HUB, DRIVE, BRUSH, DISK	2,00		16/09/2020	--
0012	MFVR00301	N/A	DRIVE DISK CT51-71 BT/XP 60	2,00	17/09/2020		--
0013	VTRS13946	897120	WASHER, D.8X24, UNI6593, INOX	10,00			--
0014	VTRS15146	897216	WASHER, D. 8, GRW, UNI1751, INOX	4,00			--
0015	VTVT13938	897316	SCREW, TE, M8X20, UNI5739, INOX	2,00			--
0016	MPVR07146	897519	CONVEYOR	1,00			--
0017	MEEV00036	9017718	VALVE, WATER, SOLENOID, 24VDC	1,00			--
0018	LAFN09303	897520	BRACKET	1,00			--
0019	VTRS13947	897152	WASHER, D.8, UNI6592, INOX	6,00			--
0020	VTDD01695	897124	NUT, M8, INOX	10,00			--
0021	VTDD15521	897229	NUT, M8, UNI5588, INOX, A2	2,00			--
0022	MPVR06105	897376	WHEEL, BPMR, 80D X 22W	1,00			--
0023	LAFN03915	897121	BUSHING NUOVO RUOTINO STRONG	1,00			--
0024	VTVT06241	897311	SCREW, M8X40	1,00			--
0029	LAFN09318	897521	FRAME, SIDE, SQGE, LH	1,00			--
0030	LAFN09317	897522	FRAME, SIDE, SQGE, RH	1,00			--
0031	LAFN11044	897523	BRACKET	2,00			--
0032	MPVR07113	9017841	FLAP, BRUSH, INSIDE	4,00			--
0033	MPVR07110	9018499	BLADE, SQGE, SIDE, RH, URE	1,00			--
0034	MPVR07111	9018500	BLADE, SQGE, SIDE, LH, URE	1,00			--
0035	CUVR00184	897524	BEARING, BALL, 8B 30D 11W [2SEAL]	2,00			--
0036	LAFN03840	897231	BUSHING	2,00			--
0037	VTVT01208	897525	SCREW, TBEI, M5X35	8,00			--
0038	LAFN08907	897526	BUSHING, SLEEVE, 8B 12D 15L	2,00			--
0039	VTRS43258	897371	WASHER, 13B 24D 2.5, NYL	8,00			--
0040	LAFN09295	897527	STRAP, SQGE, INSIDE	4,00			--
0041	VTVT07725	897145	SCREW TE 5X16 UNI5739 INX	12,00			--
0042	LAFN04151	897370	BUSHING, 8B 12D 14	2,00			--
0043	LAFN09396	897528	STRAP, SQGE, RH	1,00			--
0044	LAFN09397	897529	STRAP, SQGE, LH	1,00			--
0045	VTVT00410	897243	SCREW TE M8X35 UNI5739 INOX	2,00			--



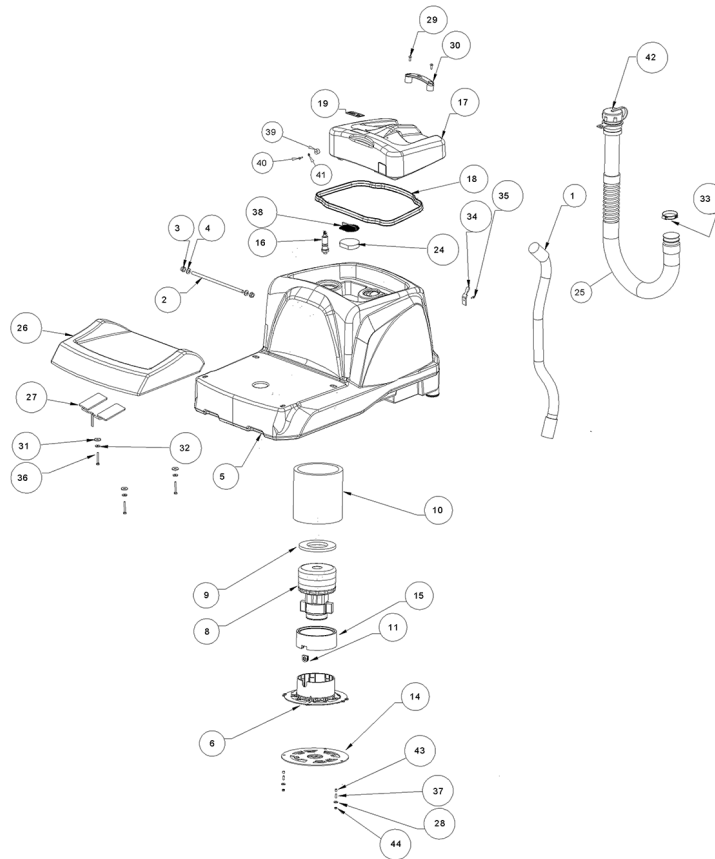
Ref. K	Part N.	Part N. 2	Description	Quantity	Validity		Price
					From	To	
0046	VTRS00515	897156	WASHER D. 4 INX	2,00			--
0047	VTVT01158	897262	SCREW, M4X16	2,00			--
0048	VTVT15371	897244	SCREW, TE, M8X45, INOX, A2	1,00			--
0049	VTVT13944	897377	SCREW TCEI M8X20 UNI5931 INOX	2,00			--
0050	VTVT01050	897530	SCREW, TE, M8X30, UNI5737, INOX	2,00			--
0051	MLML00345	897531	SPRING	2,00			--
0052	VTVT15515	897115	SCREW, M6X55, SS	2,00			--
0053	VTDD00053	897250	NUT, M6, UNI5589, INOX	2,00			--
0054	VTDD01694	897138	NUT M6 INOX	18,00			--
0055	VTRS00245	897106	WASHER D.6 UNI 6592 INOX	12,00			--
0056	VTDD01693	VTDD01693	NUT, M5, INOX	12,00			--
0058	VTRS13945	897112	WASHER D. 6X18 INX UNI 6593	4,00			--
0059	VTVT15141	897532	SCREW TE M 6X 25 UNI 5739 INX	2,00			--
0060	MLML00347	897533	SPRING	1,00			--
0061	LAFN09327	897534	SPACER	1,00			--
0062	LAFN06391	897218	BUSHING BRUSH DECK SUPPORT	2,00			--
0063	VTVT00757	897535	SCREW	1,00			--
0064	VTDD15521	897229	NUT, M8, UNI5588, INOX, A2	2,00			--
0065	VTVT00708	897536	SCREW, TE, M.8X40	1,00			--
0066	LAFN09320	897380	PIN, ACTUATOR, 8D X 115L	2,00			--
0067	VTRS09142	897247	WASHER, D. 12X36X2.5, UNI6593	4,00			--
0068	MLML00324	897537	SPRING	2,00			--
0069	VTRS13946	897120	WASHER, D.8X24, UNI6593, INOX	2,00			--
0070	VTRS00250	897538	WASHER D.14	2,00			--
0071	VTVT00300	897539	SCREW, TSPEI, M8x70, UNI5933	2,00			--
0072	VTDD15521	897229	NUT, M8, UNI5588, INOX, A2	2,00			--
0073	VTVT00769	897540	SCREW, M8X70, UNI5737, A2	1,00			--
0074	LAFN47168	LAFN47168	BELT-STRETCHER ALTERNATOR TK1400	2,00			--
0075	VTRS00245	897106	WASHER D.6 UNI 6592 INOX	2,00			--
0076	MPVR06440	897541	COVER	2,00			--
0077	VTVT00428	897542	SCREW TCEI M6X20 UNI5931 INOX	2,00			--
0078	MPVR06441	897543	COVER	2,00			--
0079	VTRS15919	897544	WASHER, D.12, GROVER, UNI1751, INOX	4,00			--
0080	LAFN11045	897545	BUSHING	4,00			--
0081	VTRS13945	897112	WASHER D. 6X18 INX UNI 6593	2,00			--
0083	VTDD13942	897309	NUT, M6, UNI5587, INOX	1,00			--
0084	MPVR75799	MPVR75799	FASTENER, BMPR, 20 X 9 / M6 X 18	1,00			--
0085	TBFX48011	897256	TUBE FLEX D.12X3 ARMORV.PVC TR	0,60			--
0086	VTRS15913	897204	WASHER D. 4 GROVER A2 UNI1751	2,00			--
0087	MLML00328	897314	SPRING RETAINING, BRUSH DRIVER	2,00		16/09/2020	--
0087	MLML00478	N/A	SPRING -	2,00	17/09/2020		--
0088	VTVT21887	897313	SCREW, TCB, TC, M4X10	2,00			--



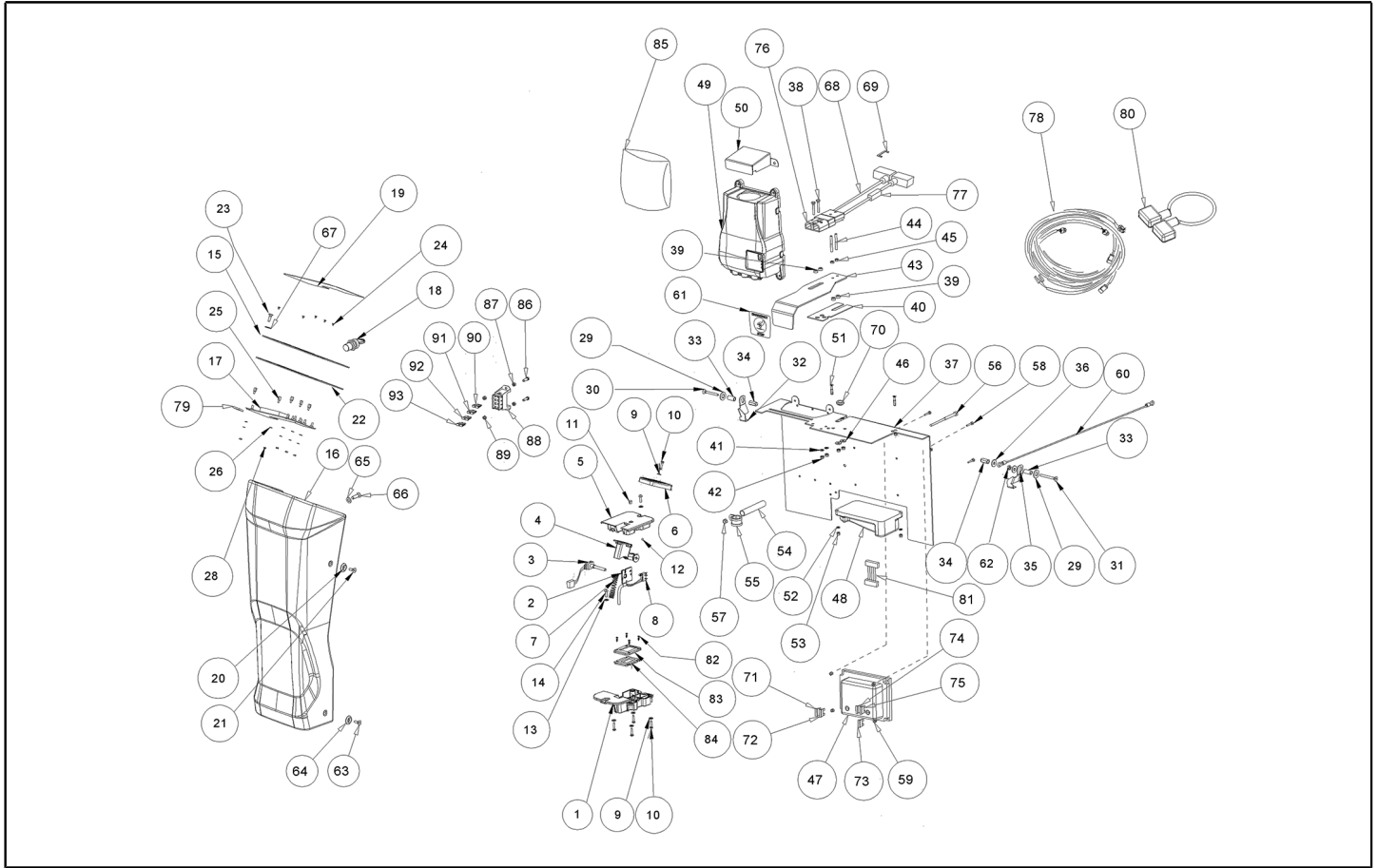
Ref. K	Part N.	Part N. 2	Description	Quantity	Validity		Price
					From	To	
0001	MPVR11871	897454	TANK, SOLTN [2180SR]	1,00			--
0002	FTAC00045	9017787	SCREEN, SOLTN	1,00			--
0003	RCGR00078	9018454	WATER, VALVE, SOLTN	1,00			--
0004	RCVR00514	897455	CONNECTOR 1/2 M RESCA 15	1,00			--
0005	RCVR00594	897456	CONNECTOR 1/2" M/F	1,00			--
0006	LAFN09393	897457	BRACKET, WATER, FTLR	1,00			--
0007	VTRS00567	897458	WASHER 1/2	2,00			--
0008	VTRS13750	897384	WASHER D. 5X14 INX	1,00			--
0009	VTVT01300	897459	SCREW, M5X12, TE, INOX	1,00			--
0010	MPVR10773	9017802	CAP KIT, DRAIN PLUG W/GASKET	1,00			--
0011	MPVR07131	897460	TRAY, BATTERY, D.490X394X30	1,00			--
0012	LAFN09401	897461	ROD, SPPT, TANK	1,00			--
0013	GUVR00288	897462	SEAL, SOLTN, TANK	0,80			--
0019	MPVR11497	897463	CAP, SOLTN, TANK	1,00			--
0022	VTRS13946	897120	WASHER, D.8X24, UNI6593, INOX	2,00			--
0023	VTVT00410	897243	SCREW TE M8x35 UNI5739 INOX	2,00			--
0025	MECI00533	9017790	SENSOR, LEVEL, LIQ	1,00			--
0026	LAFN09408	897464	BRACKET, ROD	1,00			--
0027	VTVT01300	897459	SCREW, M5X12, TE, INOX	1,00		15/05/2018	--
0027	VTVT01317	897658	SCREW, M5X12, TSPEI, UNI5933	1,00	16/05/2018		--
0028	GUGO01054	897465	SEAL, ORG, 15,08D X 2,62 TH	1,00			--
0029	LAFN11037	897466	SCREEN, FILTER	1,00			--



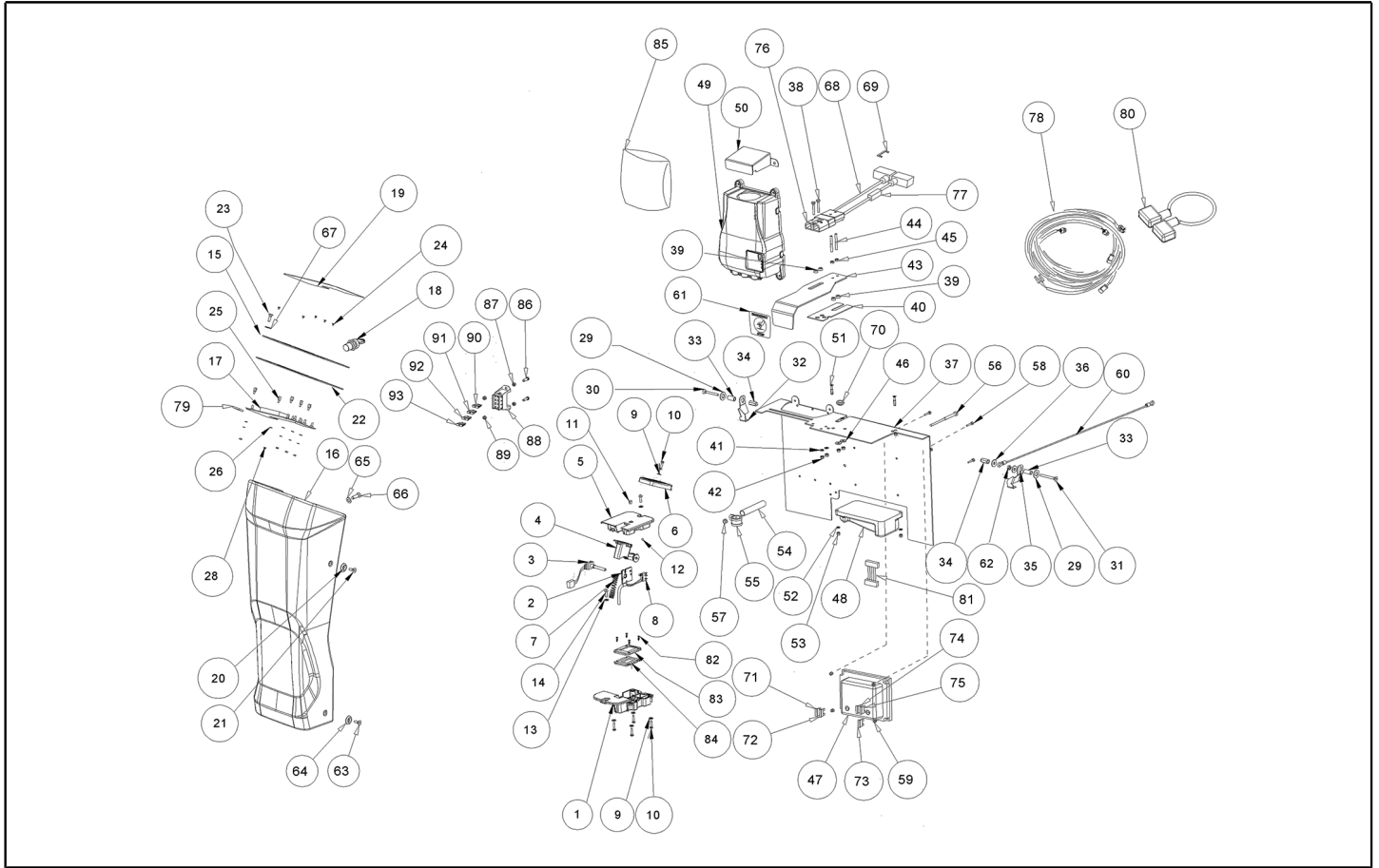
Ref. K	Part N.	Part N. 2	Description	Quantity	Validity		Price
					From	To	
0001	LAFN09284	897613	STRAP, SQGE, L, FRONT, RH	1,00			--
0002	MPVR06545	9017813	BLADE, SQGE, FRONT, 1020L, LINATEX	1,00			--
0003	MPVR05898	897307	CLOSURE L	2,00			--
0004	VTDD00210	9018496	NUT M 3 AUTOBL.DIN 985 IX.A2	8,00			--
0005	ETET01817	897419	LABEL	2,00			--
0006	LAFN09285	897620	STRAP, SQGE, L, FRONT, LH	1,00			--
0007	VTVT00841	897114	SCREW, M6X65, SS	2,00			--
0008	VTVT00841	897114	SCREW, M6X65, SS	2,00			--
0009	MFVR00217	897547	BODY	1,00			--
0010	LAFN04100	897103	SPACER, 6.00b 12.00d 16.5l, CPR	2,00			--
0011	VTRS00274	897157	WASHER NYLON 66 D. 84X17X2	4,00			--
0012	MPVR05290	897101	WHEEL, BMPR, 98,5d X 21,5W	2,00			--
0013	MPVR49229	897100	SLEEVE, NYLON, 0,314b 0,72d 0,35l	2,00			--
0014	VTDD01694	897138	NUT M6 INOX	2,00			--
0015	MPVR10569	9018577	KNOB, SQGE, 3EAR	2,00			--
0016	MPVR06546	9017814	BLADE, SQGE, REAR, 1020L, LINATEX	1,00			--
0017	LAFN09286	897654 897653	STRAP, SQGE, L, REAR, LH RH	1,00			--
0018	VTVR00567	9018578	BUSHING, INSERT, SQGE	2,00			--
0019	LAFN09301	9018495	HOOK, STRAP, SQGE	2,00			--
0020	LAFN09287	897654	STRAP, SQGE, L, REAR, LH	1,00			--
0021	VTVT01206	897426	SCREW, M6X55	2,00			--
0022	RTRT00398	9018501	WHEEL, 59,2D 22W 8,4B, GRAY	2,00			--
0023	LAFN07589	897427	SPACER, RND, 6B 8D 34,5L	2,00			--
0024	LAFN09368	897548	SUPPORT, SX	1,00			--
0025	VTDD01694	897138	NUT M6 INOX	2,00			--
0026	VTRS00245	897106	WASHER D.6 UNI 6592 INOX	2,00			--
0027	VTRS16937	897305	WASHER, M6X24, UNI6593, INOX	2,00			--
0028	VTRS13945	897112	WASHER D. 6X18 INX UNI 6593	2,00			--
0029	VTDD15518	897125	NUT, M6, INOX	2,00			--
0030	LAFN09367	897549	SUPPORT, DX	1,00			--
0031	LAFN09302	9018492	LATCH, STRAP, SQGE	2,00			--
0032	VTVT01070	9018497	BOLT, STRAP, SQGE	8,00			--
0033	LAFN11024	897550	PLATE	1,00			--
0034	LAFN11023	897551	PLATE	1,00			--
0035	GUVR00302	897304	GASKET	1,00			--
0036	GUVR00303	897303	GASKET	1,00			--
0037	GUGO00164	897102	O-RING, 13.00 Od X 10.00 Id	2,00			--
0038	VTRS16937	897305	WASHER, M6X24, UNI6593, INOX	2,00			--



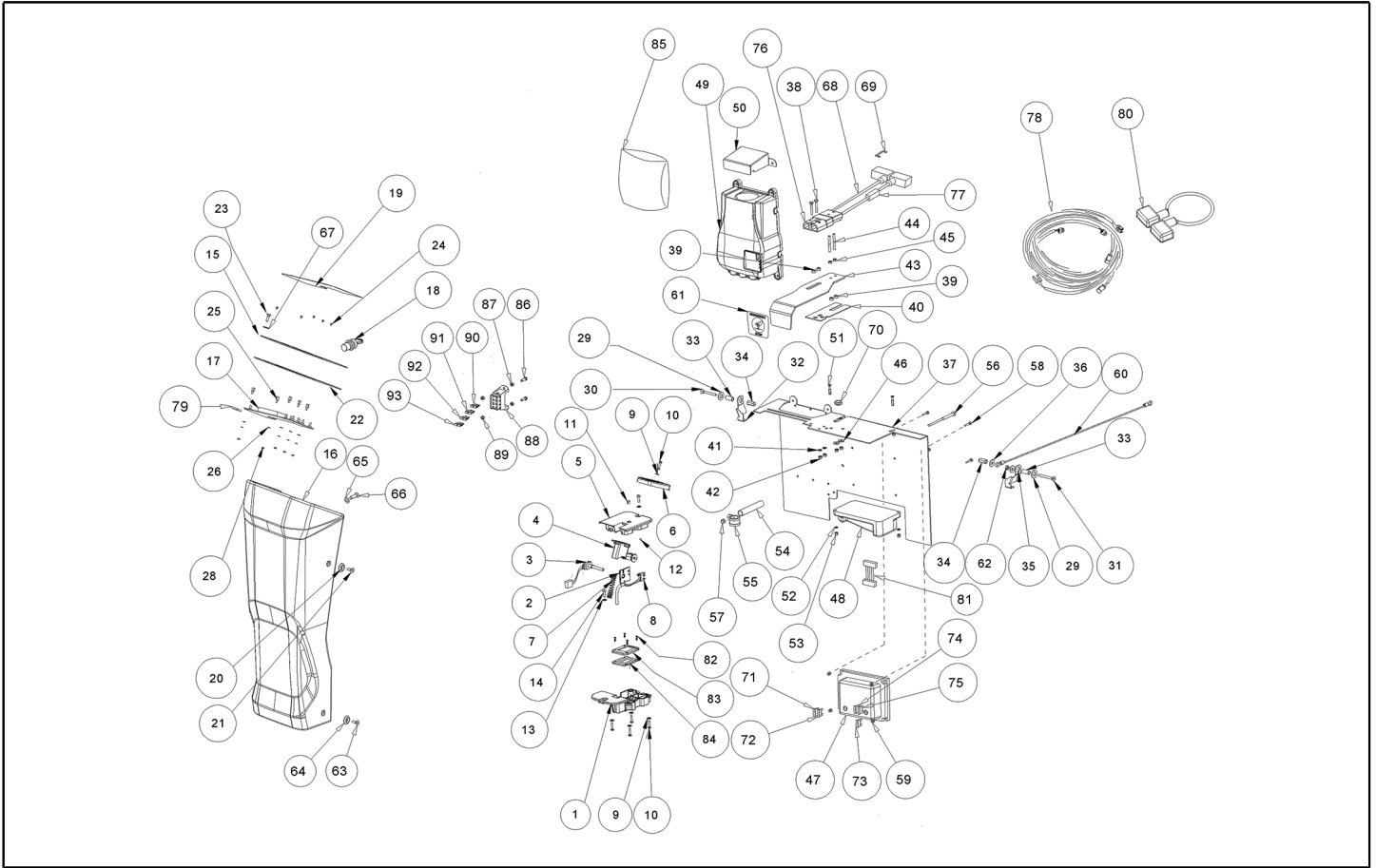
Ref. K	Part N.	Part N. 2	Description	Quantity	Validity		Price
					From	To	
0001	KTRI04702	9017786	HOSE ASSY, RECVY	1,00			--
0002	LAFN09389	897430	PIN, 10D X 275L	1,00			--
0003	VTDD10310	897431	NUT AUTOBL.M10 INOX DIN 985	2,00			--
0004	VTRS15523	897432	WASHER, D. 10X21, UNI6592, INOX	2,00			--
0005	MPVR12901	N/A	TANK RECOVERY PT80 BLUE	1,00			--
0006	MPVR10730	897552	BAFFLE	1,00			--
0008	MEVR05200	9017687	VR, BRUSH, MOTOR, VACFAN	2,00			--
0008	MOCC00342	9018509	FAN, VACUUM, 24VDC	1,00			--
0009	GUGO00497	9018401	GASKET, MOTOR, VACUUM	1,00			--
0010	ITSO00105	897437	INSULATION, FAN	1,00			--
0011	GUGO00496	897438	FAIRLEAD, 13,5D	1,00			--
0014	LAFN11070	897439	COVER, FAN	1,00			--
0015	GUGO00466	897440	GASKET, RBR, FAN	1,00			--
0016	MECI00533	9017790	SENSOR, LEVEL, LIQ	1,00			--
0017	MPVR06425	897441	COVER, TANK, RECVY [2180]	1,00			--
0018	GUGO00600	897657	GASKET TANK LID	1,00			--
0019	ETET01824	897443	LABEL [FILTER]	1,00			--
0024	FTDP00232	9017785	FILTER, MOTOR, VACFAN	1,00			--
0025	TBBP00513	9017793	HOSE ASSY, DRAIN	1,00			--
0026	SESD00021	897444	SEAT [2180SR]	1,00			--
0027	MEVR00148	897445	SWITCH, SENSOR, SEAT	1,00			--
0028	VTRS13750	897384	WASHER D. 5X14 INX	3,00			--
0029	VTVT00787	897446	SCREW TBEI M 6-16	2,00			--
0030	MPVR06448	897447	ANDLE, COVER	1,00			--
0031	MPVR35582	897315	RUBBER LAV.	4,00			--
0032	VTRS13945	897112	WASHER D. 6X18 INX UNI 6593	4,00			--
0033	FSVR00033	897448	CLAMP, HOSE, WORMDRIVE, 45 - 60D	1,00			--
0034	LAFN09400	897449	HANGER, HOSE	1,00			--
0035	VTVT21096	897151	SCREW TE M 4X 10 INX	1,00			--
0036	VTVT15142	897450	SCREW TE M 6x45 INOX	4,00			--
0037	VTVT07725	897145	SCREW TE 5X16 UNI5739 INX	3,00		23/07/2020	--
0037	VTVT00916	N/A	SCREW TE 5X16 UNI5739 INX	3,00	24/07/2020	02/07/2021	--
0037	VTVT07725	897145	SCREW TE 5X16 UNI5739 INX	3,00	03/07/2021		--
0038	LAFN09353	897451	NET	1,00			--
0039	MPVR06400	897452	CAP	1,00			--
0040	VTVT00817	897453	SCREW TE M4x12 UNI 5739 INOX	1,00			--
0041	VTRS00515	897156	WASHER D. 4 INX	1,00			--
0042	KTRI01980	9017794	CAP KIT, DRAIN HOSE, RECVY	1,00			--
0043	LAFN03626	897146	SPACER	3,00	24/07/2020		--
0044	VTDD01693	VTDD01693	NUT, M5, INOX	3,00	24/07/2020	02/07/2021	--



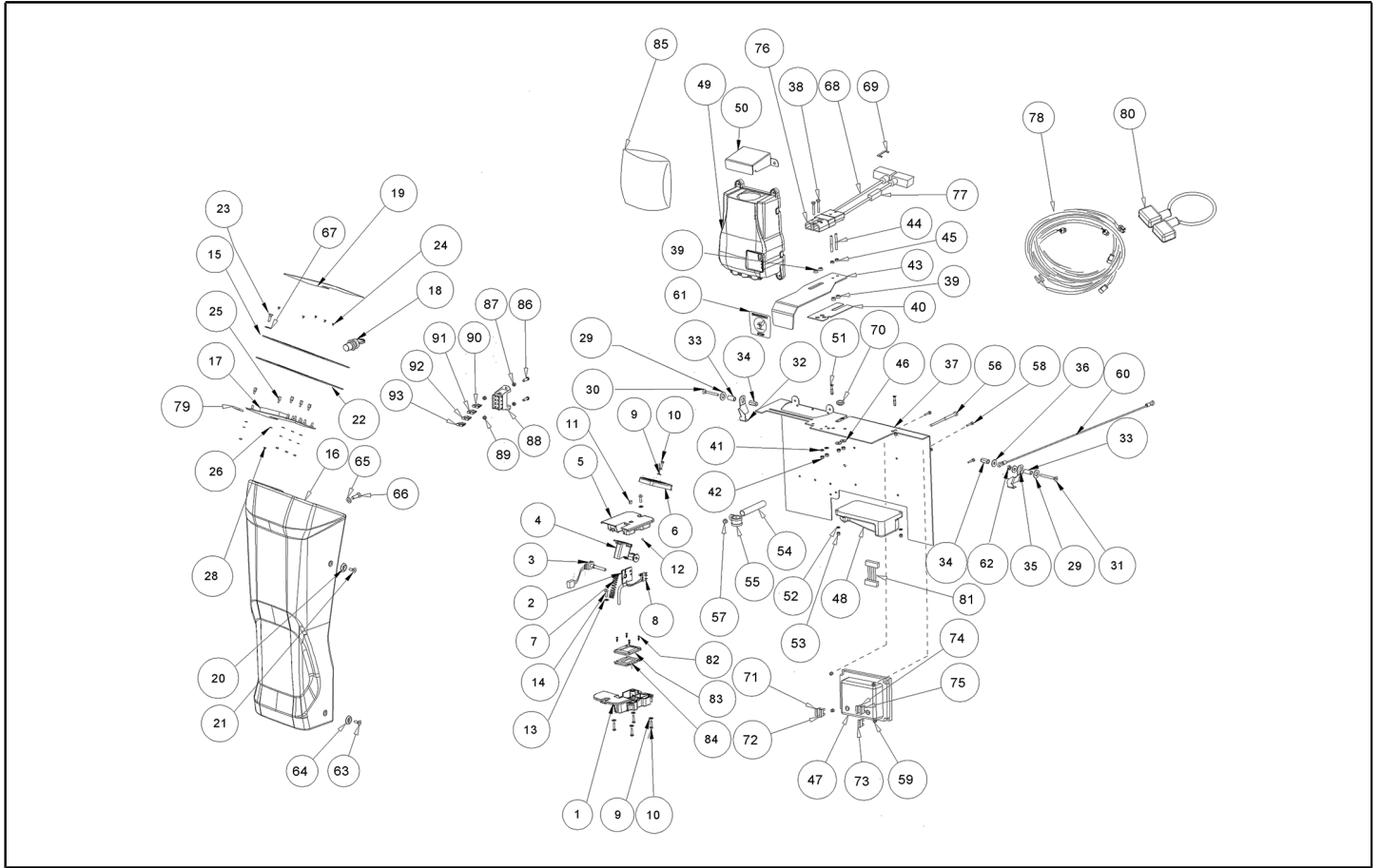
Ref. K	Part N.	Part N. 2	Description	Quantity	Validity		Price
					From	To	
0001	MPVR11937	N/A	BASE CT80 ACCELERATOR	1,00			--
0002	S MPVR07122	897468	PLATE	1,00			--
0003	S MEVR01755	9017795	SENSOR, POSITION, DRIVE	1,00			--
0004	MPVR11940	N/A	SUPPORT CT80 ACCELERATOR	1,00			--
0005	MPVR11938	N/A	COVER CT80 ACCELERATOR	1,00			--
0006	MPVR11939	N/A	PEDAL CT80 ACCELERATOR	1,00			--
0007	S MLML00476	9017810	SPRING, PEDAL	1,00			--
0008	S MECI00414	9017797	SWITCH, ACCELERATOR	1,00			--
0009	VTRS00516	897166	WASHER, D. 5, INOX	4,00			--
0010	VTVT48694	VTVT48694	SCREW TCB TC 5 X12 UNI 9707 TZ	4,00			--
0011	RCVR00163	897474	CAP D.6	1,00			--
0012	VTVT01703	897475	GRUB, SCREW, M4X8	1,00			--
0013	VTRS00516	897166	WASHER, D. 5, INOX	1,00			--
0014	VTVT45339	897476	SCREW, M5X16, TBCE, ISO7380, ZB	1,00			--
0015	LAFN08131	897477	PLATE	1,00			--
0016	MPVR12902	N/A	CRANKCASE FRONTAL PT80 BLUE	1,00			--
0017	MECE00589	9017823	KTRI06691	1,00			--
0018	MECI75805	1017696	KEY SET, REPLMT [F/ KEYSWITCH 1011402]	1,00			--
0019	ETET20277	897479	LABEL, DISPLAY [2180SR]	1,00			--
0020	VTVR41809	897480	UND.SCREW FLAN. D. 6.5, 22 H4.5 NYL.NERO	4,00			--
0021	VTVT00869	N/A	SCREW TSPEI M.6-60 INOX A2	2,00			--
0022	GUVR00322	897482	GASKET	1,00			--
0023	VTVT15937	897483	SCREW, TSPEI, M5X20, UNI5933, INOX	4,00			--
0024	VTVT01377	897484	SCREW TSP, TC M3X5 UNI7688 INOX	5,00			--
0025	VTVR00576	897485	SPACER M3	5,00			--
0026	VTRS00385	N/A	WASHER UNI 6592 3,2X7X0,5 INOX	5,00			--
0028	VTDD00210	9018496	NUT M 3 AUTOBL.DIN 985 IX.A2	5,00			--
0029	VTRS15523	897432	WASHER, D. 10X21, UNI6592, INOX	2,00			--
0030	VTVT26818	897486	SCREW M6X45 TSPEI UNI5933	1,00			--
0031	VTVT30247	897487	SCREW, TSPEI, M6X50, UNI5933	1,00			--
0032	LAFN09398	897488	BRACKET	1,00			--
0033	MPVR07165	897489	SPACER	2,00			--
0034	VTVR00556	897490	RIVET	2,00			--
0035	LAFN09399	897491	BRACKET	1,00			--
0036	VTRS00245	897106	WASHER D.6 UNI 6592 INOX	3,00			--
0037	LAFN09322	897659	BRACKET, MTG, CIRCUITBOARD	1,00			--
0038	VTVT00423	897492	SCREW, TE, M5X30, UNI5739	2,00			--
0039	MPVR07164	897493	SPACER	4,00			--
0040	MPVR07141	897494	PLATE	1,00			--
0041	VTRS00516	897166	WASHER, D. 5, INOX	2,00			--
0042	VTDD01693	VTDD01693	NUT, M5, INOX	2,00			--
0043	LAFN09321	897495	LEVER	1,00			--
0044	LAFN09350	897496	PIN	2,00			--
0045	VTDD07727	897497	NUT, M5, INOX	2,00			--



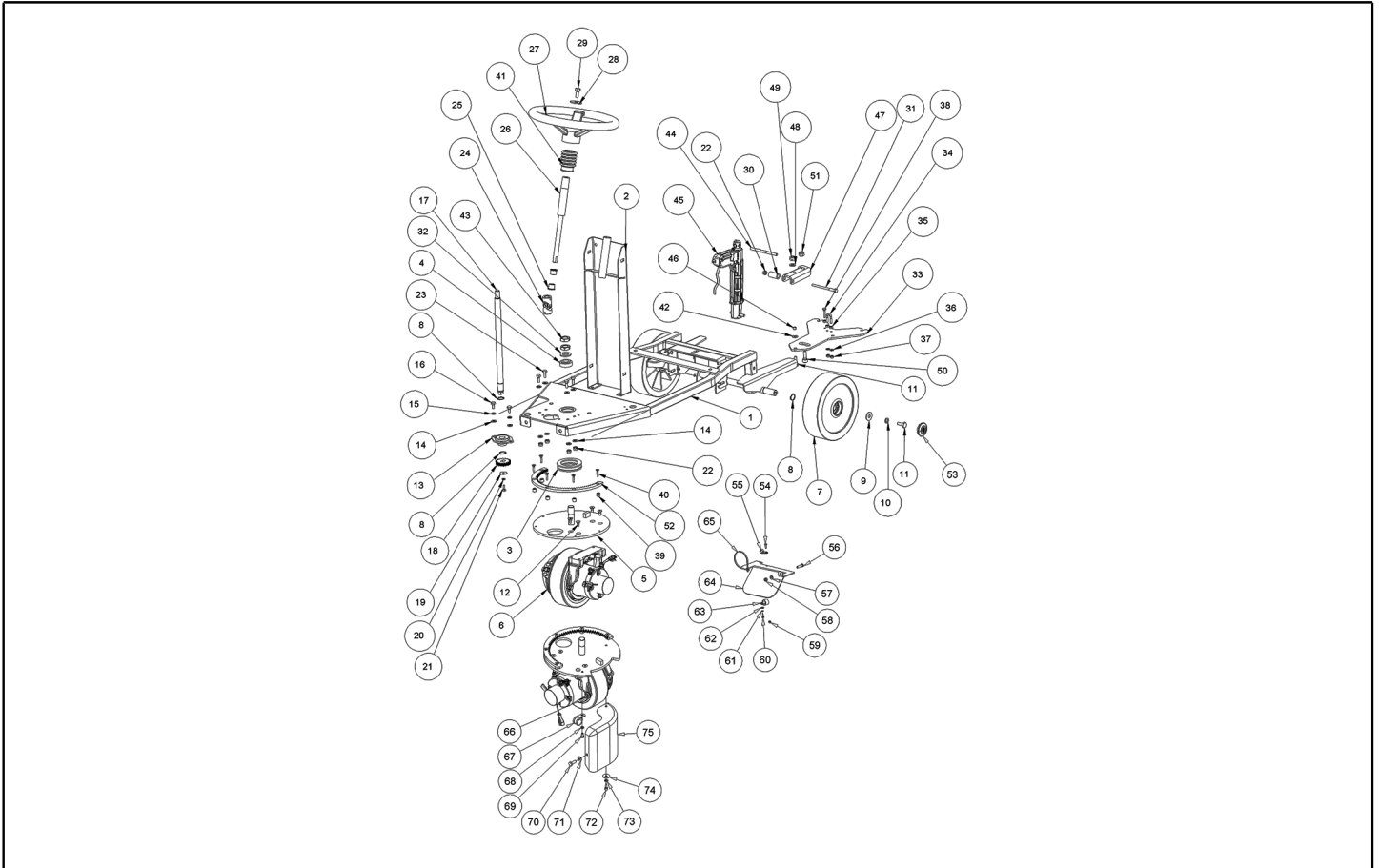
Ref. K	Part N.	Part N. 2	Description	Quantity	Validity		Price
					From	To	
0046	VTRS13750	897384	WASHER D. 5X14 INX	2,00			--
0047	MECE00738	897498	BOARD POWER SERVICE	1,00			--
0048	MECE00607	9017822	CIRCUITBOARD, DRIVE	1,00			--
0049	BACA00181	897553	BATTERY, CHARGER, GANSOW, 24V, 25A	1,00			--
0050	LAFN09325	897554	DISTRIBUTOR 60	1,00			--
0051	VTVT00861	897555	SCREW, TSPEI, M4X25	2,00			--
0052	VTRS00515	897156	WASHER D. 4 INX	2,00			--
0053	VTDD00055	897276	NUT M 4 ATB A2	2,00			--
0054	LAFN09323	897503	TUBE	1,00			--
0055	MEVR02096	897363	FAIR, LEAD	1,00			--
0056	VTVT00414	897504	SCREW TE M6X100 UNI5739	1,00			--
0057	VTDD01694	897138	NUT M6 INOX	1,00			--
0058	VTVT00704	897195	SCREW, TE, M4X16, UNI5739, INOX	4,00			--
0059	VTDD15925	897160	NUT, M4, INOX, ZN	4,00			--
0060	CMCV00471	897505	CABLE	1,00			--
0061	ETET01825	897506	LABEL	1,00			--
0062	VTDD00053	897250	NUT, M6, UNI5589, INOX	1,00			--
0063	VTVT29523	897507	SCREW, TSPEI, M6X35, UNI5933	2,00			--
0064	VTVR41809	897480	UND.SCREW FLAN. D. 6.5, 22 H4.5 NYL.NERO	2,00			--
0065	VTVR41809	897480	UND.SCREW FLAN. D. 6.5, 22 H4.5 NYL.NERO	2,00			--
0066	VTVT13940	897277	SCREW, TSPEI, M6X20, UNI5933	2,00			--
0067	VTRS00060	897508	WASHER, M5,3x14,5x3,2	4,00			--
0068	KTRI02290	897509	CABLE BATTERY, ANDERSON+FUS.	1,00			--
0069	MEVR32087	9017819	FUSE 100A NST.	1,00			--
0070	MEVR00686	897556	FAIR, LEAD DIAMETER 15.5	1,00			--
0071	MEVR00644	MEVR00644	FUSE, 030A	1,00			--
0072	MEVR00644	MEVR00644	FUSE, 030A	1,00			--
0073	MEVR00644	MEVR00644	FUSE, 030A	1,00			--
0074	MEVR00565	9017817	FUSE, 005A	1,00			--
0075	MEVR00565	9017817	FUSE, 005A	1,00			--
0076	MEVR01621	897511	PLUG	1,00			--
0077	MEVR31036	897512	FUSE, HOLDER	1,00			--
0078	MECB02210	N/A	WIRING.	1,00			--
0079	MEVR02097	897514	CARD, SD	1,00			--
0080	MEVR34820	897205	WIRING BATTERY BRIDGE W/TERMINAL	3,00			--
0081	MECB01362	897557	WIRING	1,00			--
0082	VTVT01594	N/A	SCREW VITE TSPC 3x12	4,00			--
0083	MPVR11928	N/A	GASKET BRAKE PEDAL CT80	1,00			--
0084	MPVR11933	N/A	GASKET CT80 ACCELERATOR	1,00			--
0085	MPVR02838	N/A	BAG CHARGER POWER CORD	1,00			--
0086	VTVT07725	897145	SCREW TE 5X16 UNI5739 INX	2,00			--
0087	VTDD07727	897497	NUT, M5, INOX	2,00			--
0088	MEVR02666	N/A	FUSE CARRIER DIN	1,00			--
0089	VTDD01693	VTDD01693	NUT, M5, INOX	2,00			--



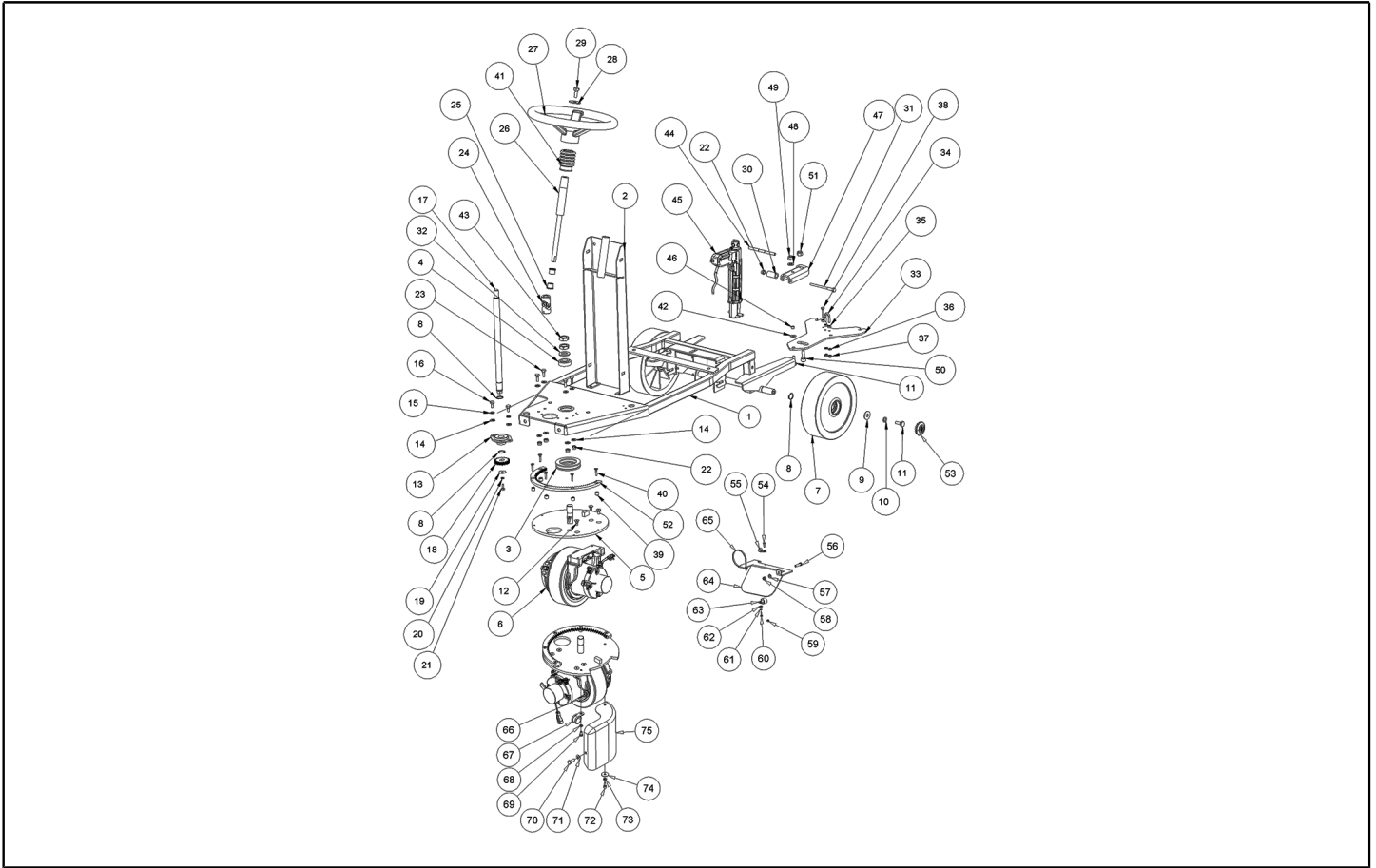
Ref. K	Part N.	Part N. 2	Description	Quantity	Validity		Price
					From	To	
0090	MEVR01132	N/A	FUSE A LAMA 5 A.	1,00			--
0091	MEVR01132	N/A	FUSE A LAMA 5 A.	1,00			--
0092	MEVR00584	MEVR00584	FUSE 3A	1,00			--
0093	MEVR00584	MEVR00584	FUSE 3A	1,00			--



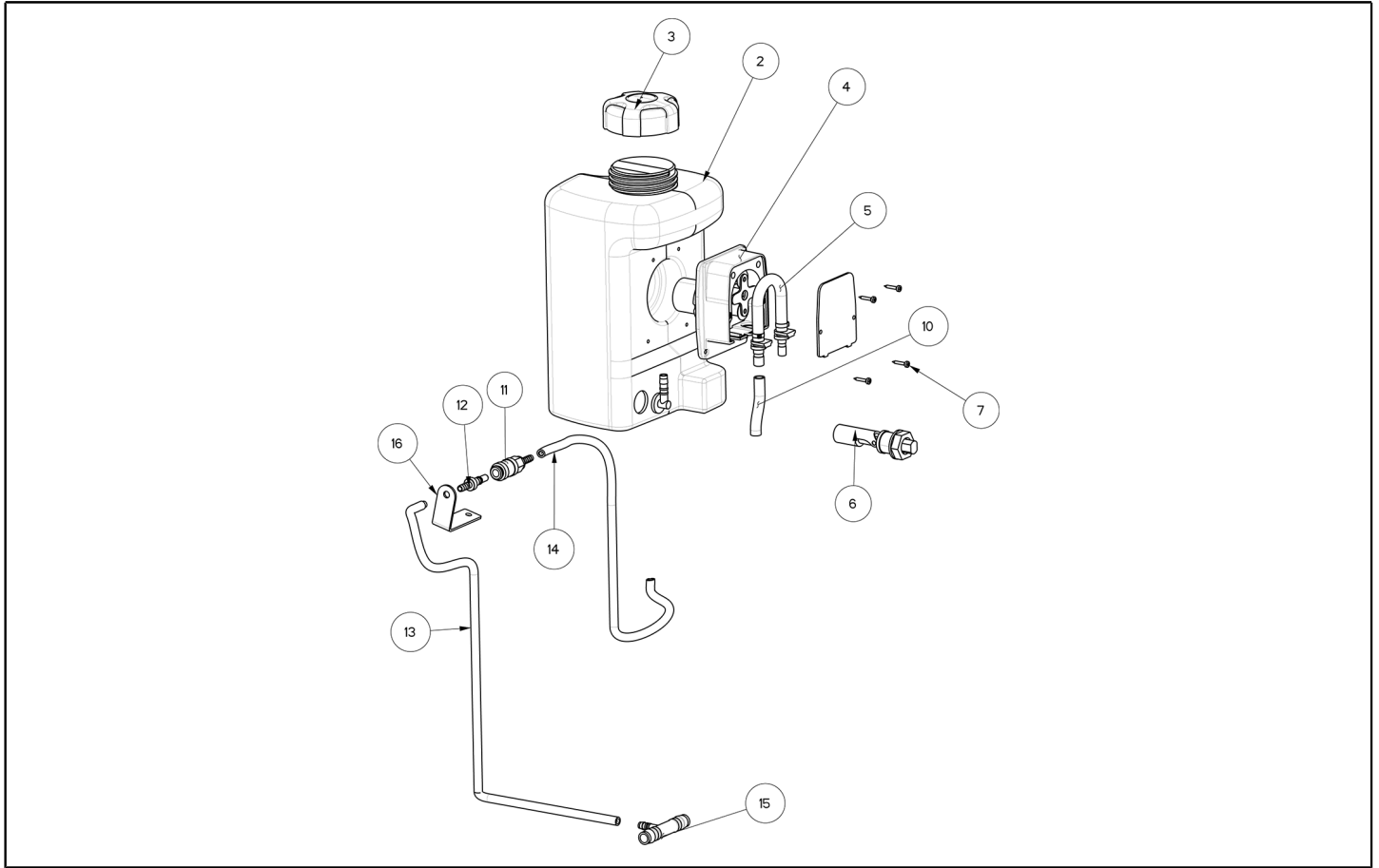
Ref. Part N.	Part N. 2	Description	Reference	Price
KTRI02313	TEN033	CIRCUITBOARD, MAIN	0047	--
PMVR01531	TEN033	PEDAL, ASSY [2180SR]	0001 0002 0003 0004 0005 0006 0007 0008	--



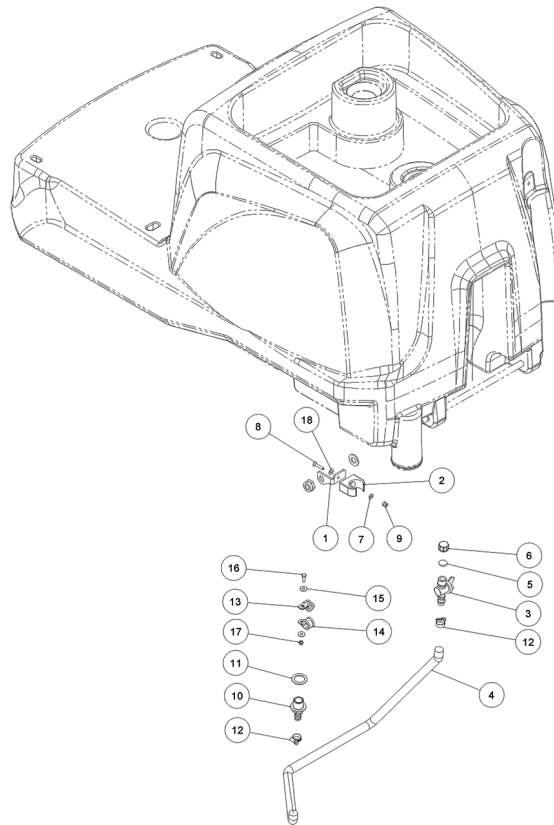
Ref. K	Part N.	Part N. 2	Description	Quantity	Validity		Price
					From	To	
0001	LAFN09292	897386	FRAME [2180SR]	1,00			--
0002	LAFN11171	897387	SUPPORT, WDLT, STEERING [2180SR]	1,00			--
0003	CUVR75816	897388	BEARING 51112	1,00			--
0004	CUVR00094	897389	BEARING 32004 TIPO SKF	1,00			--
0005	LAFN09293	897390	PLATE, RND, STEERING, CONTROL	1,00			--
0006	MOCC00433	9017807	DRIVE ASSY, WHEEL	1,00			--
0007	RTRT00547	9017809	WHEEL, SCRBR, 250MM X 60MM	2,00			--
0008	VTAE06193	897280	CIRCLIP, D. 20, UNI7435	2,00			--
0009	VTRS15524	897391	WASHER D.10	2,00			--
0010	VTRS15909	897392	WASHER D.10	2,00			--
0011	VTVT03640	897393	SCREW, TE, M10X25, UNI5740	2,00			--
0012	VTVT00790	897394	SCREW, TSPEI, M8X16	4,00			--
0013	CUVR00105	897283	SUPPORT	1,00			--
0014	VTRS13947	897152	WASHER, D.8, UNI6592, INOX	2,00			--
0015	VTRS15146	897216	WASHER, D. 8, GRW, UNI1751, INOX	2,00			--
0016	VTVT15916	897184	SCREW, TE, M8X16, UNI5739, A2	2,00			--
0017	LAFN09294	897395	SHAFT, STEERING	1,00			--
0018	LAFN06377	897396	SPROCKET, STEERING	1,00			--
0019	VTRS16937	897305	WASHER, M6X24, UNI6593, INOX	1,00			--
0020	VTRS15144	897129	WASHER D. 6 INX GRW UNI 1751	1,00			--
0021	VTVT15143	897128	SCREW TE 6X16 UNI5739	1,00			--
0022	VTDD01695	897124	NUT, M8, INOX	4,00			--
0023	VTVT13938	897316	SCREW, TE, M8X20, UNI5739, INOX	4,00			--
0024	VTVR00057	897397	JOINT, STEERING	1,00			--
0025	LAFN75841	897398	BUSHING, 15B 24D 17.5	2,00			--
0026	ALTR00097	897399	SHAFT, STEERING, WHEEL	1,00			--
0027	MPVR47027	897400	WHEEL, STEERING 320MM	1,00			--
0028	VTRS44254	897401	WASHER, M10X40X2,5, UNI6593, ZB	1,00			--
0029	VTVT00455	897402	SCREW, TE, M10X20, UNI5739	1,00			--
0030	LAFN08158	897546	SPACER	1,00			--
0031	VTVT01677	897403	SCREW, TE, M8X100	1,00			--
0032	VTRS00019	897288	WASHER, UNI6592, FORO 20, INOX	1,00			--
0033	LAFN08156	897404	CHANNEL, ARM, SQGE	1,00			--
0034	LAFN09231	897251	BRACKET, M6X11X29	1,00			--
0035	VTDD15520	897405	NUT M 6 A2 UNI 5588 INX	2,00			--
0036	VTRS00245	897106	WASHER D.6 UNI 6592 INOX	2,00			--
0037	VTDD01694	897138	NUT M6 INOX	2,00			--
0038	VTVT13939	897287	SCREW TE 6X20 UNI5739 INX	1,00			--
0039	LAFN06844	897406	SPACER, RND, 6,5B 12D 10	5,00			--
0040	VTVT25909	897407	SCREW M6X25 TSPEI UNI5933	5,00			--
0041	MPVR51068	897408	BELLOWS, SHAFT, STEERING	0,50			--
0042	MLML34767	897409	SPRING D.10.2 X20	1,00			--
0043	VTDD00524	897410	NUT, HEX, M20 X 1,5	2,00			--
0044	LAFN09320	897380	PIN, ACTUATOR, 8D X 115L	1,00			--



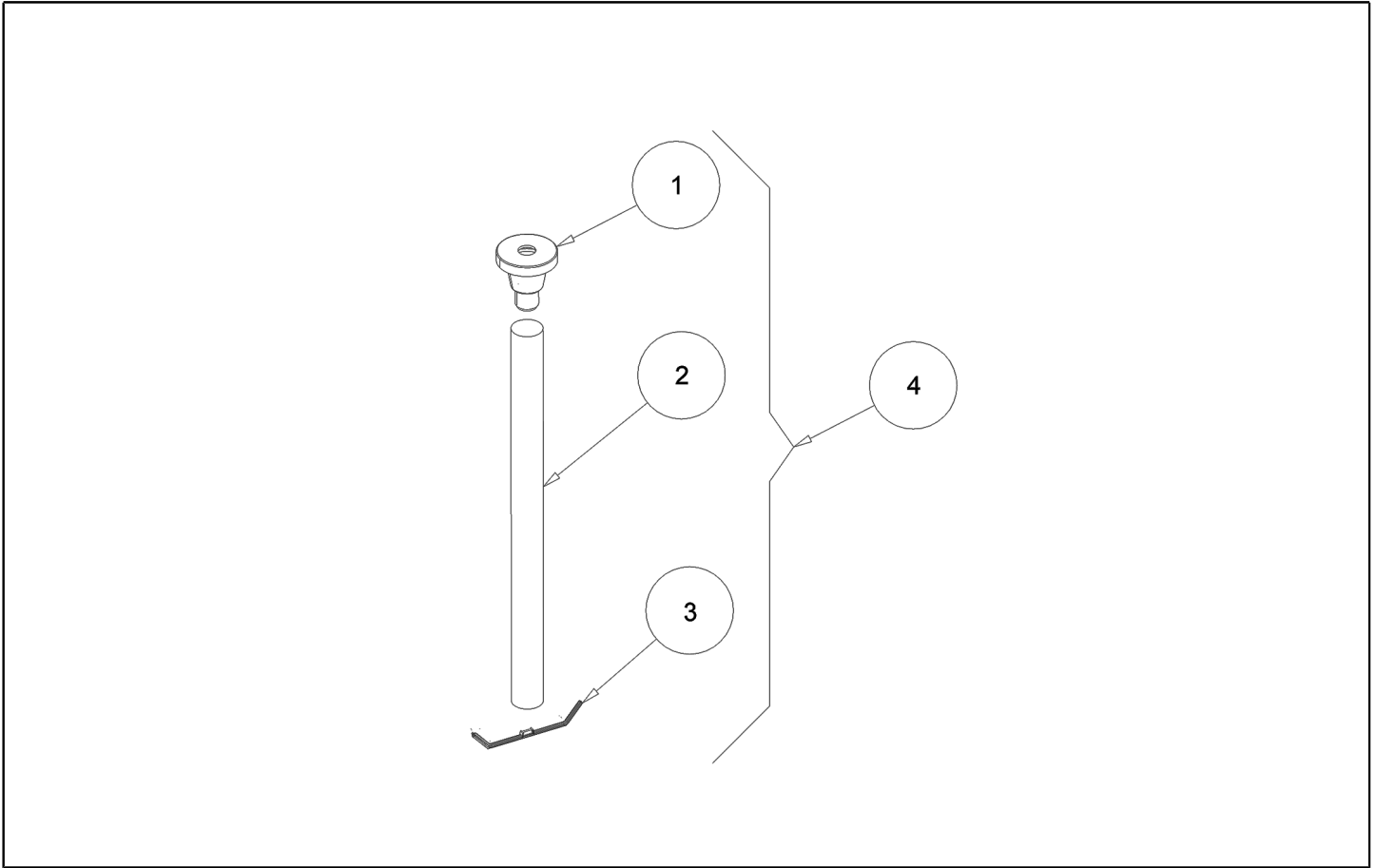
Ref. K	Part N.	Part N. 2	Description	Quantity	Validity		Price
					From	To	
0045	MOCC00424	9017803	ACTUATOR, SQGE, 24VDC	1,00			--
0046	LAFN09407	897411	SPACER, RND, 8B 10D 5,9	1,00			--
0047	LAFN08233	897412	SUPPORT	1,00			--
0048	VTRS13947	897152	WASHER, D.8, UNI6592, INOX	1,00			--
0049	VTDD01695	897124	NUT, M8, INOX	1,00			--
0050	VTVT00307	897413	SCREW, TCEI, M10X30	1,00			--
0051	VTDD15519	897414	NUT M10 INOX	1,00			--
0052	LAFN09409	897415	BRAKE	1,00			--
0053	MPVR05951	897417	CAP, WHEEL, PYP	2,00			--
0054	VTVT00817	897453	SCREW TE M4x12 UNI 5739 INOX	1,00			--
0055	MPVR02933	897334	DUCT LOCK D.9,5	1,00			--
0056	VTVT15141	897532	SCREW TE M 6X 25 UNI 5739 INX	1,00			--
0057	VTRS00245	897106	WASHER D.6 UNI 6592 INOX	1,00			--
0058	VTDD01700	897105	NUT M6 INOX+ZIN.	1,00			--
0059	VTDD00055	897276	NUT M 4 ATB A2	1,00			--
0060	VTVT01158	897262	SCREW, M4X16	1,00			--
0061	VTRS15913	897204	WASHER D. 4 GROVER A2 UNI1751	1,00			--
0062	VTRS00017		WASHER STEEL INOX 4X12	1,00			--
0063	FSVR00099	897137	CLAMP FERMATUBO	1,00			--
0064	MPVR12940	N/A	GUIDE .	1,00			--
0065	FSVR00049	N/A	CLAMP 4,5x200 black	1,00			--
0066	MEVR00686	897556	FAIR, LEAD DIAMETER 15.5	1,00			--
0067	MEVR02096	897363	FAIR, LEAD	1,00			--
0068	VTRS15144	897129	WASHER D. 6 INX GRW UNI 1751	1,00			--
0069	VTVT15906	897130	SCREW, TE, M6X12, UNI5739, A2	1,00			--
0070	VTVT13938	897316	SCREW, TE, M8X20, UNI5739, INOX	1,00			--
0071	VTRS13947	897152	WASHER, D.8, UNI6592, INOX	1,00			--
0072	VTVT00717	897352	SCREW, TCEI, M.6X16	1,00			--
0073	VTRS15144	897129	WASHER D. 6 INX GRW UNI 1751	1,00			--
0074	VTRS16937	897305	WASHER, M6X24, UNI6593, INOX	1,00			--
0075	MPVR12936	N/A	CRANKCASE .	1,00			--



Ref. K	Part N.	Part N. 2	Description	Quantity	Validity		Price
					From	To	
0002	MPVR06124	N/A	TANK	1,00			--
0003	MPVR40187	N/A	TANK CAP P215 PEHD C/F.	1,00			--
0004	PPBP00066	N/A	TUBE CHEM DOSE PUMP PPBP00066	1,00			--
0005	TBFX00370	N/A	TUBE -	1,00			--
0006	MECI00516	9017737	FLOAT, SHUTOFF	1,00			--
0007	VTVT01210		SCREW TCB 3,5X16	4,00			--
0010	TBBP00135	N/A	TUBE 7/10	0,06			--
0011	RCIN35828	N/A	JOINT BODY PL. C/V-5.2	1,00			--
0012	RCIN38912	N/A	JOINT PB PG.5.2 OT	1,00			--
0013	TBBP00476	N/A	TUBE -	0,12			--
0014	TBBP00476	N/A	TUBE -	0,70			--
0015	RCVR00745	N/A	CONNECTOR TRS 12-6-12	1,00			--
0016	LAFN08160	N/A	SUPPORT -	1,00			--



Ref. K	Part N.	Part N. 2	Description	Quantity	Validity		Price
					From	To	
0001	LAFN11623	N/A	SUPPORT .	1,00			--
0002	MPVR05280	897266	CLIP, M25	1,00			--
0003	RCVR00590	897271	CONNECTOR 1/2 M RESCA 15	1,00			--
0004	TBBP00743	897656	HOSE, DRAIN, SOLTN	1,00			--
0005	GUGO00268	897270	GASKET D.21 SP.3 GOMMA	1,00			--
0006	RCVR00353	897269	CAP 1/2"G X ELETTROV. ACL	1,00			--
0007	VTRS00515	897156	WASHER D. 4 INX	1,00			--
0008	VTVT00877	N/A	SCREW TSPEI M 4X20 INX UNI5933	1,00			--
0009	VTDD15925	897160	NUT, M4, INOX, ZN	1,00			--
0010	RCVR00795	897360	FITTING, PLASTIC, 3/4	1,00			--
0011	MPVR07077	897361	CRANKCASE FRONTALE 705 GRIGIO	1,00			--
0012	FSVR00428	897362	CLAMP, HOSE, WORMDRIVE, 12- 20D	2,00			--
0013	MEVR02096	897363	FAIR, LEAD	1,00			--
0014	FSVR00043	897364	CLAMP, STL, 16D, INSULATED	1,00			--
0015	VTRS13945	897112	WASHER D. 6X18 INX UNI 6593	4,00			--
0016	VTVT13939	897287	SCREW TE 6X20 UNI5739 INX	1,00			--
0017	VTDD01694	897138	NUT M6 INOX	1,00			--
0018	VTRS00119	N/A	WASHER UN.SCREW BLACK	1,00			--



Ref. K	Part N.	Part N. 2	Description	Quantity	Validity		Price
					From	To	
0001	MPVR06404	N/A	JOINT -	1,00			--
0002	TBFX00375	N/A	TUBE -	0,90			--
0003	MPVR08038	897587	PLATE	1,00			--
0004	KTRI02248	N/A	KIT .	1,00			--
0001	MPVR06404	N/A	JOINT -	1,00			--
0002	TBFX00375	N/A	TUBE -	0,90			--
0003	MPVR08038	897587	PLATE	1,00			--
0004	KTRI02248	N/A	KIT .	1,00			--