



T681

Small Ride-On Scrubber-Dryer

Parts Manual



Model Part No.:

LPTB03308 - SCRUBBER [T681 70CM CD, PAD, GEL BATT, ANZ]

LPTB03309 - SCRUBBER [T681 70CM W/O CD, PAD, GEL BATT, ANZ]

TennantTrue® Parts

ANZ



To view, print or download
the parts manual, visit:

www.tennantco.com/manuals

Rev. 01 (03-2025)

TABLE OF CONTENTS

STANDARD PARTS

WEAR PARTS	3
SERVICE PARTS	3
SERVICE PARTS - Contd	4
BRUSHES / PAD DRIVER AND PADS	5
TANKS COMPONENT GROUP	6
TANK COMPONENT GROUP - Contd	8
ELECTRICAL COMPONENT GROUP	10
CONTROL CONSOLE AND DRIVE GROUP (ITALSEA CIRCUITBOARD - NEW VERSION)	12
CONTROL CONSOLE AND DRIVE GROUP - Contd (ITALSEA CIRCUITBOARD - NEW VERSION)	14
CONTROL CONSOLE AND DRIVE GROUP (CURTIS CIRCUITBOARD - OLD VERSION)	16
CONTROL CONSOLE AND DRIVE GROUP - Contd (CURTIS CIRCUITBOARD - OLD VERSION)	18
ACCELERATOR PEDAL GROUP	20
FRAME GROUP, 70CM DISK MODEL	22
SCRUB HEAD GROUP, 70CM DISK	24
SCRUB HEAD GROUP, 70CM DISK - Contd ...	26
SQUEEGEE GROUP, 70CM DISK MODEL	28
CHEM DOSE GROUP	30
AGM BATTERY GROUP	31
DRIVE MOTOR WHEEL BREAKDOWN	32
ELECTRICAL DIAGRAM	33

RECOMMENDED MAINTENANCE ITEMS

WEAR PARTS

Part No.	Mfr. Date	Description	Qty.
9017816	()	Brush Assy, Disk, Scb, 35cm, 3- Lug, Pyp	1
9017730	()	Brush Assy, Disk, Scb, 35cm, 3- Lug, Pyp, Soft	1
9017818	()	Brush Assy, Disk, Abr, 35cm, 3- Lug, 120grit	1
9017820	()	Driver Assy, Pad, 35cm, 3- Lug	1
9017814	()	Blade, Sqge, Rear, 1020l, Linatex (Standard)	1
9017804	()	Blade, Sqge, Rear, 1020l, Latex (Options)	1
9017811	()	Blade, Sqge, Rear, 1020l, Pyu (Options)	1
9018577	()	Knob, Sqge, 3ear	2
9017813	()	Blade, Sqge, Front, 1020l, Linatex (Standard)	1
9017801	()	Blade, Sqge, Front, 1020l, Latex (Options)	1
9017806	()	Blade, Sqge, Front, 1020l, Pyu (Options)	1

SERVICE PARTS

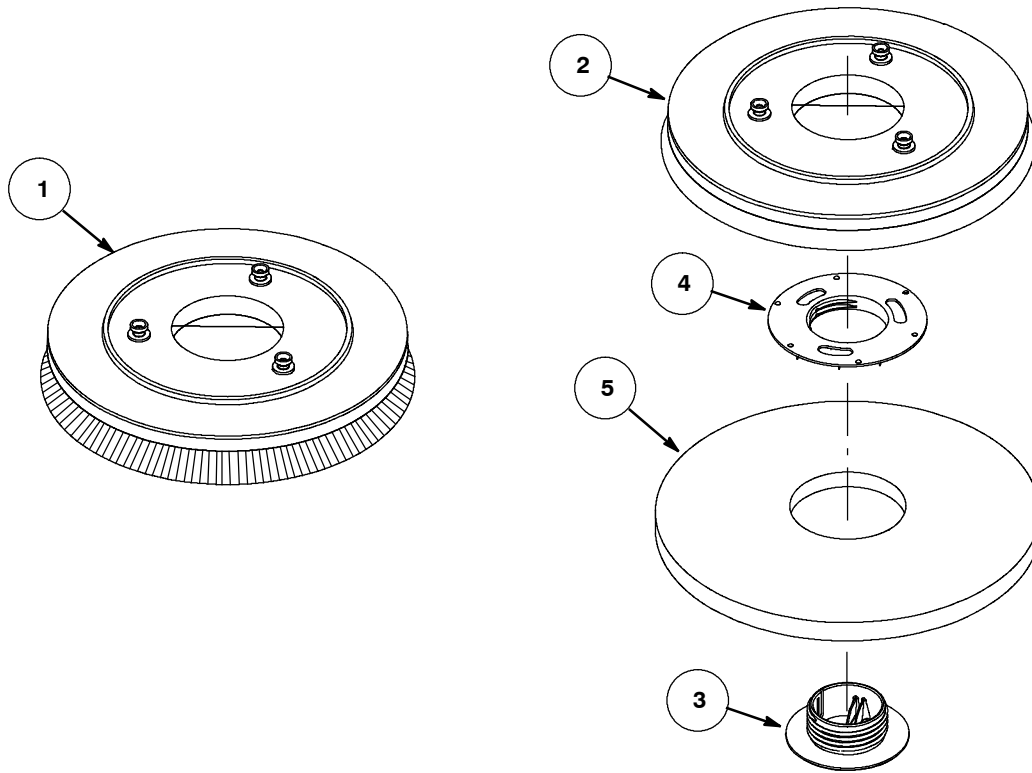
Ref.	Part No.	Mfr. Date	Description	Qty.
	PMVR06665	()	Squeegee Assy [T681 60- 70cm]	1
	MTCR00029	()	Small Chain L.16mm (Qty 1 = 1mt)	1
	KTRI04699	()	Hose Assy, Sqge Recvy (Includes Yellow Clamp MPVR06119)	1
	TBBP00391	()	Hose Assy, Drain, Sol Tank	1
	9017793	()	Hose Assy, Drain, Recovery Tank	1
	MPVR05168	()	Flap Rh Side Skirt	1
	MPVR05169	()	Flap, Lh Side, Skirt	1
	BAAC00177	()	Gel Battery, 6v, 180 Ah	4
	897205	()	Wiring Battery Bridge W/Terminal	3
▽	MOCC00330	()	Motor (Brush)	1
▲	MEVR02923	()	Vr, Brush Kit, Motor, Brush [4 Pc]	1
▽	MOCC00273	()	Motor Vacuum 3st 24v	1
▲	9017687	()	Vr, Brush, Motor, Vacfan	1
	9017714	()	Gasket, Motor, Vacuum	1
	9017713	()	Filter, Vacuum	1
	KTRI02131	()	Sensor	1
	9017737	()	Float, Shutoff	1
	KTRI05576	()	Kit Potentiometer Speed Contr	1
	MEVR02667	()	Potentiometer (Accelerator Pedal)	1

RECOMMENDED MAINTENANCE ITEMS

SERVICE PARTS - Contd

Ref.	Part No.	Mfr. Date	Description	Qty.
	RTRT00533	()	Motorwheel, Ring Replmt	1
	RDGR00040	()	Gear Box, Traction	1
	MEVR02030	()	Brake, Motor Wheel	1
	MOCC00399	()	Motor, Traction	1
	MEVR00985	()	Brush Carbon 10x18	1
	KTRI02209	()	Kit, Motorwheel	1
	897143	()	Insulation, Acstc	1
▽	FTAC00038	()	Strainer, Solution Tank G1/2	1
▲	GUVR00311	()	Gasket, Filter, Solution	1
	TBFX00244	()	Tube D 34 L200mm (Exhaust Hose)	1
	MECE00575	()	Circuitboard Assy, Actuator [T681]	1
	MECI00532	()	Contactoer 24v-100a	1
	METT45116	()	Contactoer 24v T106 P	1
	METT00133	()	Fuse 25a	1
	METT00132	()	Fuse 30a	1
	METT00137	()	Fuse 4a	1
	METT00136	()	Fuse 3a	1
	METT00135	()	Fuse 2a	1
	METT00134	()	Fuse 1a	1
	MOCC00322	()	Actuator, Squeegee	1
	MOCC00323	()	Actuator, Brush Head	1
	RTRT00539	()	Wheel, Rear, Pyu [T681]	1
	MLML00537	()	Spring (Potentiometer)	1
	MEEV00044	()	Solenoid Valve	1
	MECE00993	()	Circuitboard Assy, Cntrl [T681 Disc]	1
	MECE00916	()	Circuitboard Assy, Traction (S/N: > LPTB03308 / 03309- 00005)	1
	MECE00450	()	Circuitboard Assy, Traction (S/N: < LPTB03308 / 03309- 00004)	1
▽	MECI00723	()	Switch, Key	1
▲	MEVR00093	()	Key Spare Battery Version	1

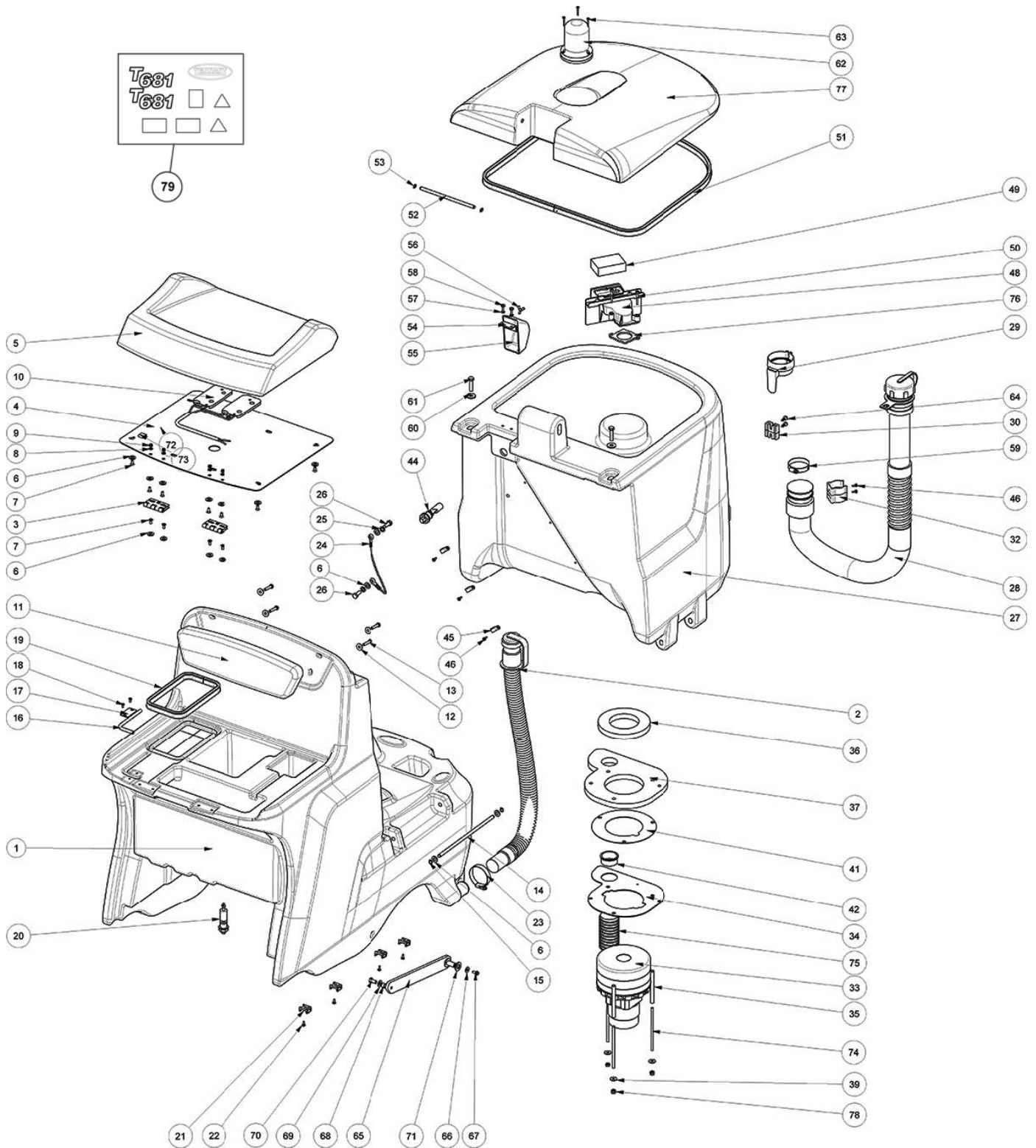
BRUSHES / PAD DRIVER AND PADS



70cm / 14in Disk Model

Ref.	Part No.	Mfr. Date	Description	Qty.
1	9017816	()	Brush Assy, Disk, Scb, 35cm, 3- Lug, Pyp	1
1	9017730	()	Brush Assy, Disk, Scb, 35cm, 3- Lug, Pyp, Soft	1
1	9017818	()	Brush Assy, Disk, Abr, 35cm, 3- Lug, 120grit	1
▽	2	9017820	() Driver Assy, Pad, 35cm, 3- Lug	1
▲	3	MPVR04088	() Lock, Center, Pad Driver	1
▲	4	SPPV00489	() Flange Center Lock, Pad Holder	1
5	N/A	()	Pad, Red, 35cm	1

TANKS COMPONENT GROUP



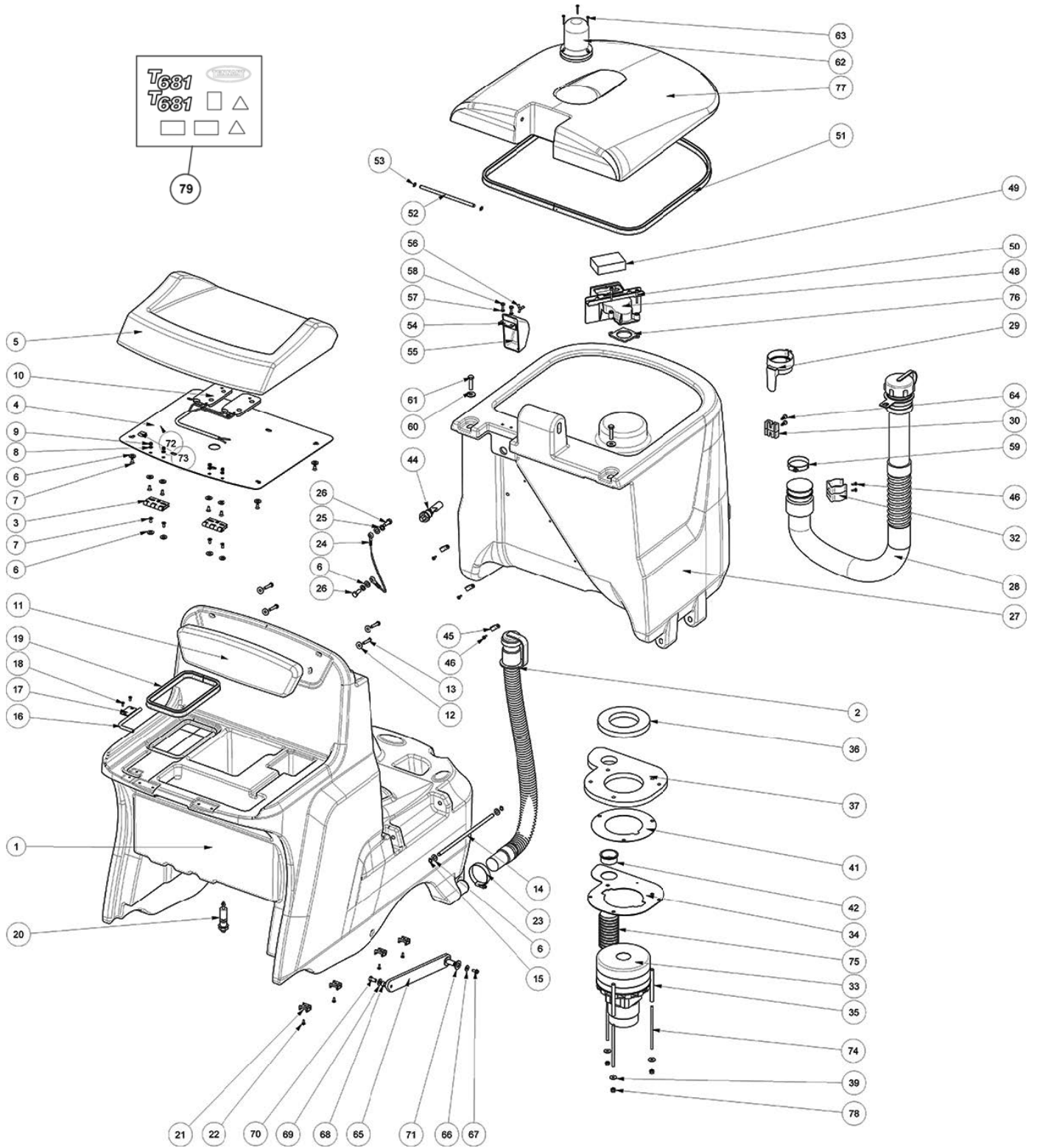
TANK COMPONENT GROUP

Ref.	Part No.	Mfr. Date	Description	Qty.	
1	MPVR13111	()	Tank Solution [T681]	1	
2	TBBP00391	()	Hose, Soltn, Tank	1	
3	CEVR00060	()	Seat Hinge	2	
4	LAFN06430	()	Seat Plate	1	
5	897444	()	Seat	1	
6	897152	()	Washer, D.8, Uni6592, Inox	16	
7	VTVT01317	()	Screw, M5x12	1	
8	VTRS00502	()	Washer D. 5 0.466 Uni 6592	4	
9	VTDD01693	()	Nut M 5 Inx	4	
10	897445	()	Switch, Sensor, Seat	1	
11	SESD00020	()	Seat, Backrest	1	
12	897112	()	Washer, Flat, 6,00x18,00x1,6	4	
13	VTVT00433	()	Screw, M6x30	4	
14	LAFN06434	()	Recovery Tank Pin, Rotation	1	
15	VTAE14096	()	Clip, D.8, Din471	2	
16	LAFN06431	()	Seat Rod	1	
17	LAFN06432	()	Seat Rod, Plate	1	
18	VTVT00849	()	Screw, M4x10	2	
19	GUVR00284	()	Control Panel, Gasket	1	
20	KTRI02131	()	Sensor	1	
21	FSVR00243	()	Base Cable Tie, Plastic	4	
22	897180	()	Screw, M4x10, Tcb, Tc, Inox	4	
23	FSVR00095	()	Clamp, 30- 45	1	
24	CMCV00427	()	Recovery Tank Security Cable	1	
25	897216	()	Washer, D. 8, Grw, Uni1751, Inox	2	
26	897316	()	Screw, Te, M8x20, Uni5739, Inox	2	
27	MPVR13112	()	Tank Recovery [T681]	1	
28	9017793	()	Hose Assy, Drain	1	
29	MPVR13105	()	Hook	1	
30	MPVR11684	()	Joint Tubo	1	
32	9017721	()	Clip, Hose, Recvy	1	
▽	33	MOCC00273	()	Motor Vacuum 3st 24v	1
▲	9017687	()	Vr, Brush, Motor, Vacfan	1	
34	897133	()	Flange Aspiratore	1	
35	LAFN51077	()	Spacer Ph	3	
36	9017714	()	Gasket, Motor, Vacuum	1	
37	897143	()	Insulation, Acstc	1	
39	897112	()	Washer, Flat, 6,00x18,00x1,6	3	
41	897136	()	Flange, Nylon	1	
42	MPVR31077	()	Bushing L.450	1	
44	9017737	()	Float, Shutoff	1	
45	897334	()	Duct Lock D.9,5	3	
46	897180	()	Screw, M4x10, Tcb, Tc, Inox	5	
48	897159	()	Box	1	
49	9017713	()	Filter, Vacuum	1	
50	VTVT01325	()	Screw, M5x35	2	
51	GUVR00272	()	Gasket Ct110	1	
52	LAFN06509	()	Cover Tank Pin, Rotation	1	
53	VTAE14096	()	Clip, D.8, Din471	2	
54	LAFN07737	()	Float Support	1	
55	897168	()	Protection	1	

▽ ASSEMBLY

▲ INCLUDED IN ASSEMBLY

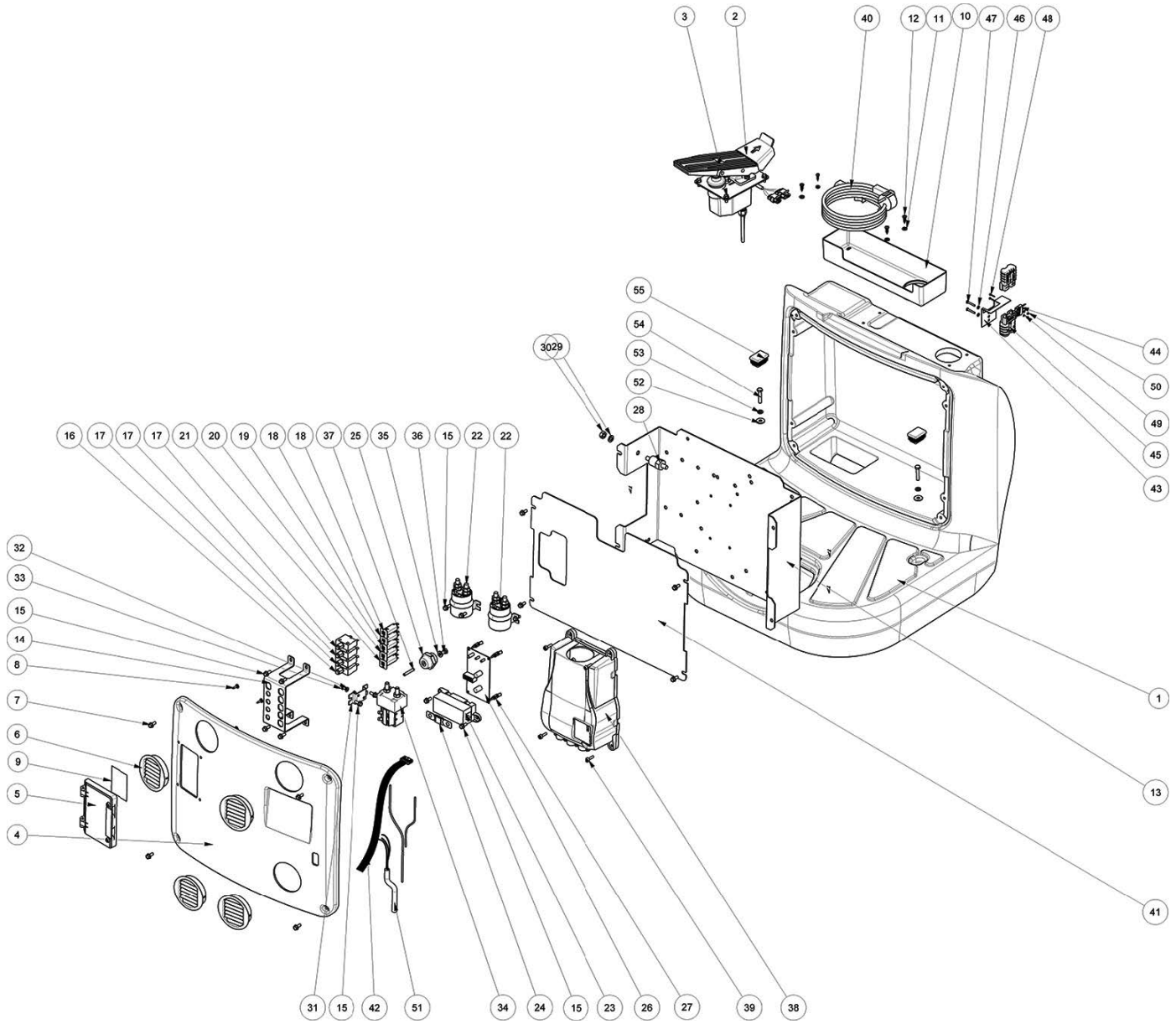
TANK COMPONENT GROUP - Contd



TANK COMPONENT GROUP - Contd

Ref.	Part No.	Mfr. Date	Description	Qty.
56	897169	()	Screw, M4x10	1
57	897644	()	Washer, D.5, Inx, Grw, Uni1751	2
58	VTVT15961	()	Fuse 2.5 A 250v 5x20	2
59	897448	()	Clamp, Hose, Wormdrive, 45 - 60d	1
60	897120	()	Washer, D.8x24, Uni6593, Inox	2
61	897243	()	Screw Te M8x35 Uni5739 Inox	2
62	MEVR00935	()	Flashing Light	1
63	VTVT35376	()	Screw, M3.5x25	3
64	VTVT01073	()	Screw Sts Kn1039 6x16 - T25 A2	2
65	LAFN06427	()	Tank Security Lever	1
66	VTRS15958	()	Washer Uni 6592 5x15x1,5 Zb	1
67	VTVT00005	()	Screw Te M 5x 12 F/Rond.Zigr	1
68	LAFN75911	()	Spacer, D.12 H.7.	1
69	897152	()	Washer, D.8, Uni6592, Inox	1
70	897184	()	Screw, Te, M8x16, Uni5739, A2	1
71	VTRS00506	()	Washer D.12 Uni 6592	1
72	LAFN06430	()	Seat Plate	1
74	VTVT00785	()	Rod Filetto	3
75	TBFX00244	()	Tube D 34 L200mm	1
76	897158	()	Gasket Scatola Aspirazione	1
77	MPVR13193	()	Cover [T681]	1
78	VTDD01699	()	Nut M6 Inox+Zinc.B.	3
79	KTRI06379	()	Label Kit [T681]	1

ELECTRICAL COMPONENT GROUP



Ref.	Part No.	Mfr. Date	Description	Qty.
1	MPVR05691	()	Front Platform	1
3	VTVT00005	()	Screw Te M 5x 12 F/Rond.Zigr	4
4	MPVR05986	()	Cover	1
5	MEVR00232	()	Door To Remove And Reset Fuse	1
6	LAFN02931	()	Bracket Fan Cooler	4
7	VTVT00005	()	Screw Te M 5x 12 F/Rond.Zigr	4
8	VTVT00524	()	Screw Tcb- Tc 3.9x13	4
9	KTRI06379	()	Label Kit [T681]	1
10	MPVR05213	()	On Bord Charger, Cable Box	1

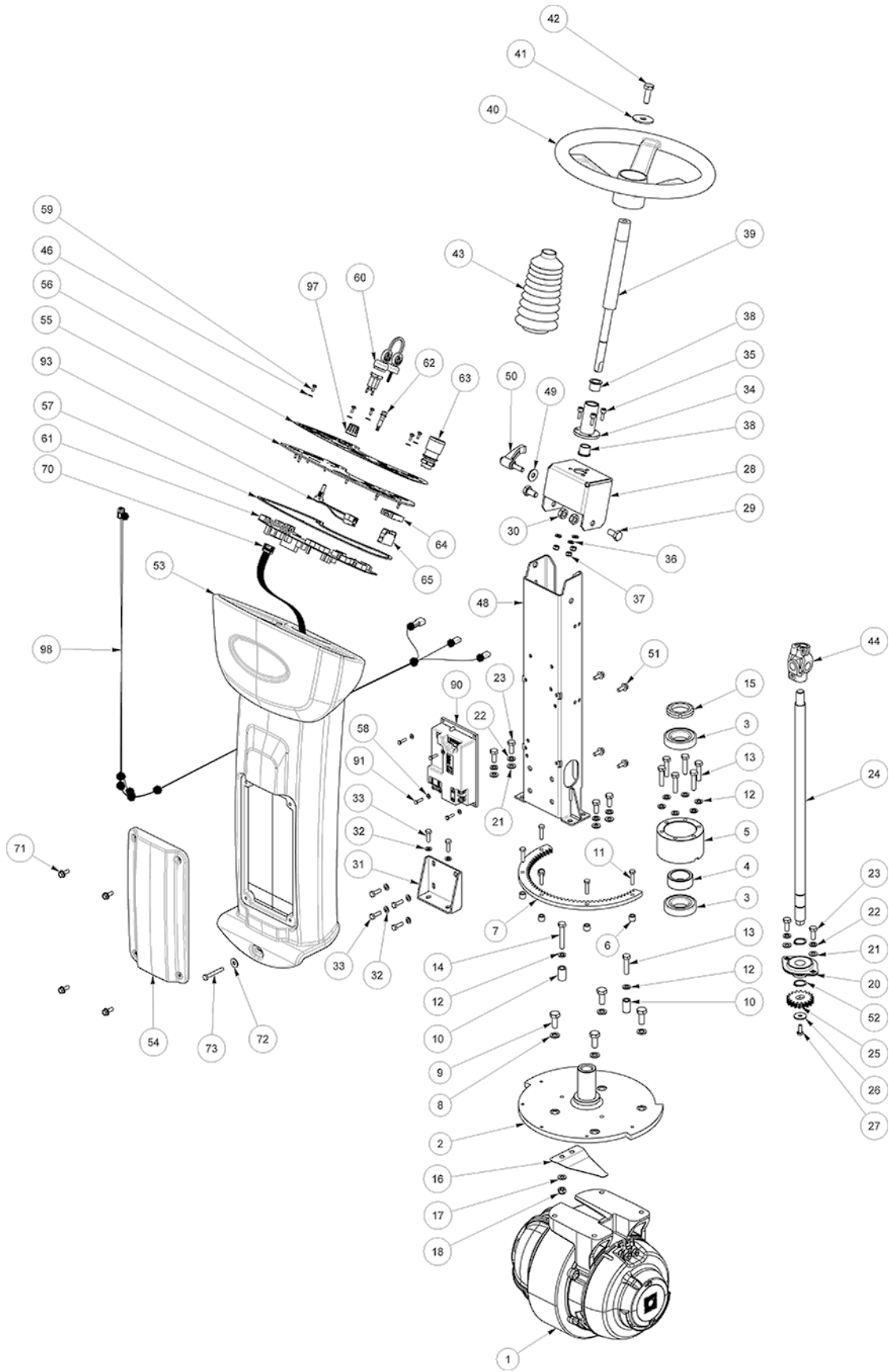
ELECTRICAL COMPONENT GROUP

Ref.	Part No.	Mfr. Date	Description	Qty.	
11	897166	()	Washer, D. 5, Inox	4	
12	VTVT07852	()	Screw, M4,8x16	4	
13	LAFN11712	()	Plate	1	
14	LAFN11713	()	Support Fuse	1	
15	VTVT00005	()	Screw Te M 5x 12 F/Rond.Zigr	16	
16	METT00133	()	Fuse 25a	1	
17	METT00132	()	Fuse 30a	3	
18	METT00137	()	Fuse 4a	2	
19	METT00136	()	Fuse 3a	1	
20	METT00135	()	Fuse 2a	1	
21	METT00134	()	Fuse 1a	1	
22	METT45116	()	Contactor 24v T106 P	2	
23	MEVR00146	()	Fuse Box	1	
24	MEVR00145	()	Fuse 100a	1	
25	MEVR47082	()	Insulator	1	
∇	26	MECE00575	()	Circuitboard Assy, Actuator [T681]	1
▲		MECE00456	()	Relay, Brush Head (Included w/ MECE00575)	1
	27	MEVR01708	()	Column	4
	28	MEVR01116	()	Support Fuse 120 A	1
	29	897216	()	Washer, D. 8, Grw, Uni1751, Inox	1
	30	897229	()	Nut, M8, Uni5588, Inox, A2	1
	31	LAFN07743	()	Bracket -	1
	32	VTRS00501	()	Washer, D.4, 0.232, Uni6592	2
	33	VTVT01669	()	Screw, M4x6	2
	34	MECI00532	()	Contactor 24v- 100a	1
	35	897106	()	Washer, Flat, 6,00x11,00x1,6, Ss	1
	36	897130	()	Screw, Te, M6x12, Uni5739, A2	1
	37	VTVT00900	()	Grub Screw M 6- 30 Con Es	1
	38	BACA00285	()	Battery- Charger Aust [Ct110}	1
	39	VTVT17720	()	Screw Tcei M 5x16 Inox	4
	40	MECB02065	()	Cord, Power Chrgr Anz	1
	41	MPVR06433	()	Electronic Protection	1
	42	MECB01099	()	Cable Flat	1
	43	897200	()	Support	1
	44	897199	()	Microswitch Charging Plug	1
	45	897298	()	Plug M Cb50 A 600v Rd.	2
	46	897193	()	Washer, D. 3, Inox	2
	47	VTVT01350	()	Screw, M3x20	2
	48	VTVT01592	()	Screw Tc 2x12	2
	49	VTRS00581	()	Washer D.2	2
	50	VTDD00213	()	Nut M2	2
	51	MECB02328	()	Harness, Wiring [T681,Italsea] (S/N: > LPTB03308 / 03309- 00005)	1
	51	MECB02305	()	Harness, Wiring [T681,Curtis] (S/N: < LPTB03308 / 03309- 00004)	1
	52	897112	()	Washer, Flat, 6,00x18,00x1,6	2
	53	897129	()	Washer, D.6, Grw, Uni1751, Inox	2
	54	VTVT00433	()	Screw, M6x30	2
	55	MPVR05314	()	Footboard Cap	2
	56	994203	()	Battery, 06vdc 0180ah [5h,Gf06180]	4

∇ ASSEMBLY

▲ INCLUDED IN ASSEMBLY

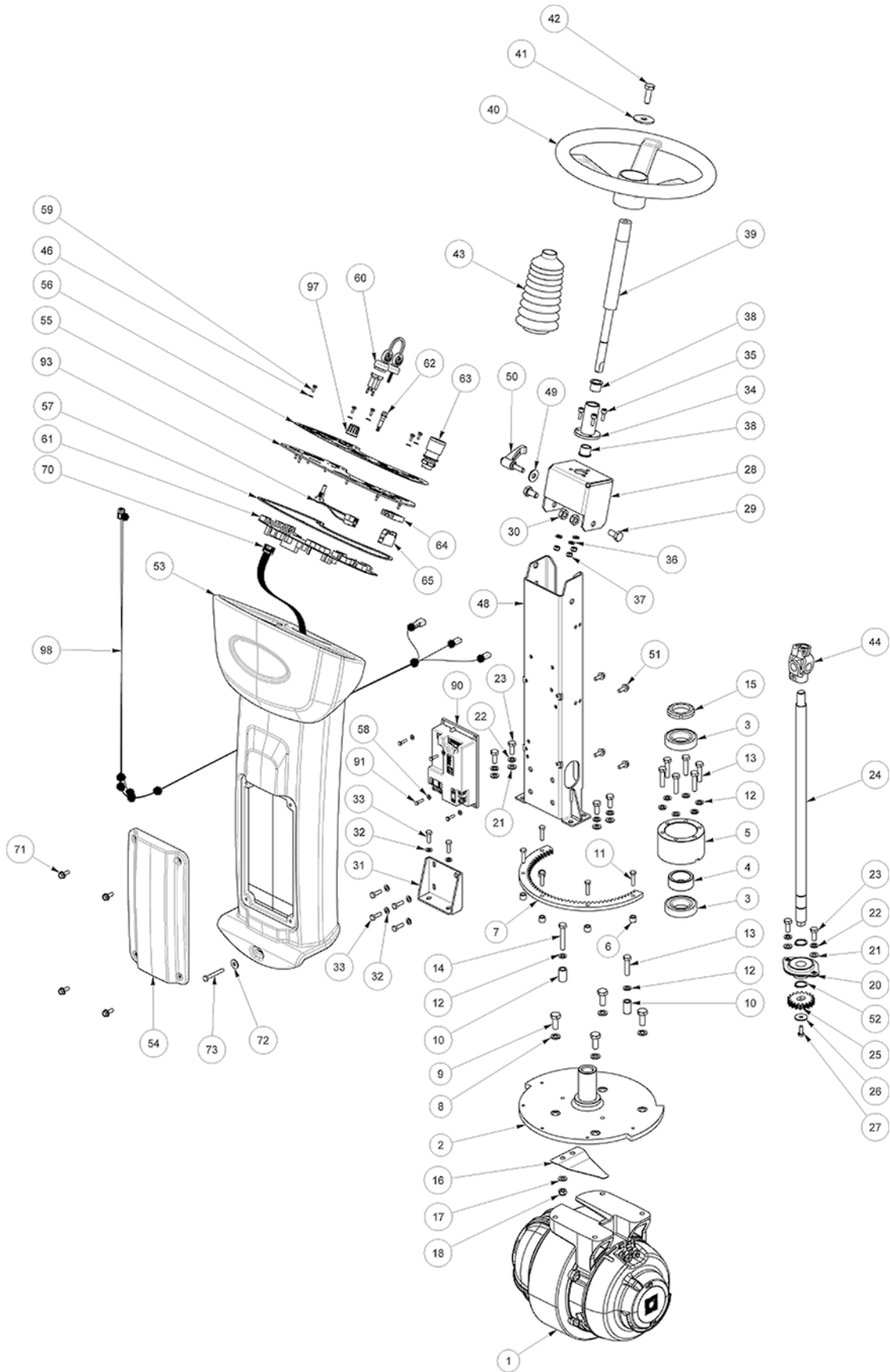
CONTROL CONSOLE AND DRIVE GROUP
(ITALSEA CIRCUITBOARD - NEW VERSION)



**CONTROL CONSOLE AND DRIVE GROUP
(ITALSEA CIRCUITBOARD - NEW VERSION)**

Ref.	Part No.	Mfr. Date	Description	Qty.
1	KTRI02209	()	Kit, Motorwheel	1
2	LAFN06364	()	Plate, Steering	1
3	CUVR00120	()	Bearing 6007- 2rs1	2
4	LAFN06523	()	Spacer, D48xd36,5x20	1
5	LAFN06522	()	Plate	1
6	897406	()	Spacer, Rnd, 6,5b 12d 10	5
7	LAFN06373	()	Brake	1
8	897392	()	Washer D.10	4
9	897393	()	Screw, Te, M10x25, Uni5740	4
10	LAFN06387	()	Bushing, Steering	2
11	897532	()	Screw, Te, M6x25, Uni5739, Inox	5
12	897216	()	Washer, D. 8, Grw, Uni1751, Inox	8
13	897243	()	Screw Te M8x35 Uni5739 Inox	7
14	897232	()	Screw, Te, M8x50, Inox, A2	1
15	VTVR75747	()	Ring Nut Autoblok M 35 X 1,5 Guk	1
16	LAFN11085	()	Housing, Cable, Steering	1
17	897152	()	Washer, D.8, Uni6592, Inox	1
18	VTDD01701	()	Nut M8 Inox+Zin.	1
20	897283	()	Support	1
21	897152	()	Washer, D.8, Uni6592, Inox	6
22	897216	()	Washer, D. 8, Grw, Uni1751, Inox	6
23	897316	()	Screw, Te, M8x20, Uni5739, Inox	6
24	LAFN06374	()	Shaft, Steering Column	1
25	897396	()	Sprocket, Steering	1
26	897305	()	Washer, M6x24, Uni6593, Inox	1
27	897128	()	Screw Te 6x16 Uni5739	1
28	LAFN06365	()	Bracket, Steering, Sppt	1
29	09291	()	Screw, Hex, M10 x 1.50 x 20, Ss	2
30	VTDD00493	()	Nut, M10	2
31	LAFN06508	()	Bracket, Steering	1
32	897106	()	Washer, Flat, 6,00x11,00x1,6, Ss	6
33	VTVT13939	()	Screw Te 6x20 Uni5739 Inx	6
34	LAFN00149	()	Bushing	1
35	VTVT09913	()	Screw Tcei 6x16 Uni5931	3
36	VTRS00503	()	Washer D. 6 Uni 6592	3
37	VTDD00491	()	Nut M 6 Tef	3
38	897398	()	Bushing, 15b 24d 17.5	2
39	ALTR00031	()	Steering Shaft	1
40	897400	()	Wheel, Steering 320mm	1
41	897401	()	Washer, M10x40x2,5, Uni6593, Zb	1
42	VTVT00232	()	Screw Exagonal Head M10x30	1
43	MPVR05237	()	Housing, Steering Column	1
44	897397	()	Joint, Steering	1
46	897156	()	Washer, D. 4, Inox	2

CONTROL CONSOLE AND DRIVE GROUP - Contd
(ITALSEA CIRCUITBOARD - NEW VERSION)



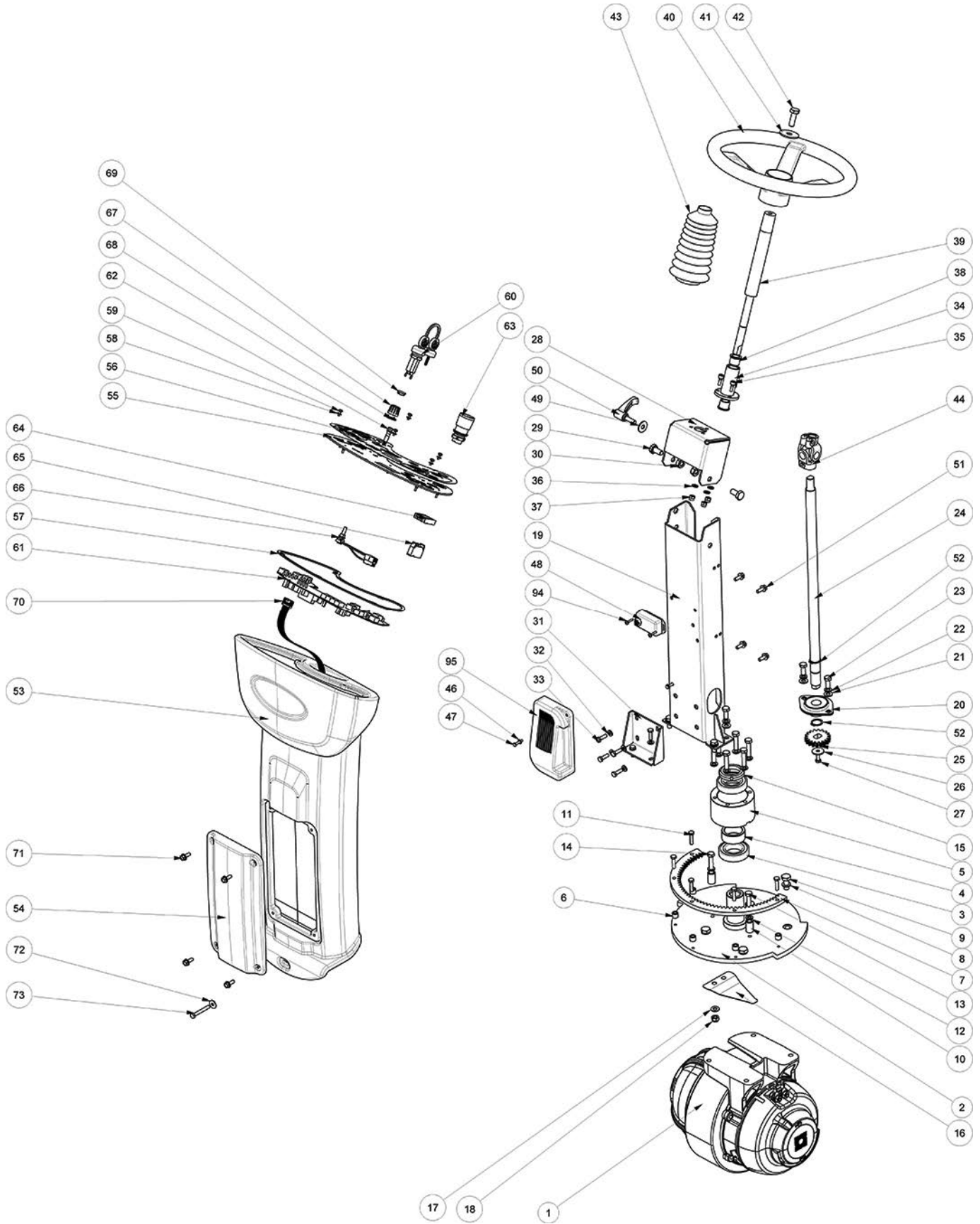
**CONTROL CONSOLE AND DRIVE GROUP - Contd
(ITALSEA CIRCUITBOARD - NEW VERSION)**

Ref.	Part No.	Mfr. Date	Description	Qty.	
48	LAFN11794	()	Support	1	
49	897120	()	Washer, D.8x24, Uni6593, Inox	1	
50	MPVR05250	()	Handle M8x25	1	
51	VTVT62920	()	Screw Te F/Rond. M 6x 16 Zb	4	
52	897280	()	Circlip, D. 20, Uni7435	2	
53	MPVR13113	()	Panel, Side	1	
54	MPVR13114	()	Cover [T681]	1	
55	LAFN11711	()	Plate	1	
56	ETET17256	()	Label	1	
57	GUVR00286	()	Gasket, Soluntion Tank	1	
58	897156	()	Washer, D. 4, Inox	5	
59	897180	()	Screw, M4x10, Tcb, Tc, Inox	5	
▽	60	MECI00723	()	Switch, Key	1
▲	60	MEVR00093	()	Key Spare Battery Version	1
	61	MECE00993	()	Circuitboard Assy, Cntrl [T681 Disc]	1
	62	MEVR02058	()	Light, Traction, Status, Led	1
	63	MECI00582	()	Switch	1
	64	MECI00583	()	Bracket	1
	65	MECI00584	()	Contact	1
	70	MECB01099	()	Cable Flat	1
	71	VTVT62920	()	Screw Te F/Rond. M 6x 16 Zb	4
	72	897112	()	Washer, Flat, 6,00x18,00x1,6	1
	73	897450	()	Screw Te M6x45 Inox	1
	90	MECE00916	()	Circuitboard Assy, Traction (S/N: > LPTB03308 / 03309-00005)	1
	91	897195	()	Screw, Te, M4x16, Uni5739, Inox	4
	93	KTRI05576	()	Kit Potentiometer Speed Contr	1
	97	KTRI01935	()	Kit 1050- 1202	1
	98	MECB02445	()	Cable,Bsi [T681,Li- Ion,Inventus,Exide] (Lithium Battery Only)	1

▽ ASSEMBLY

▲ INCLUDED IN ASSEMBLY

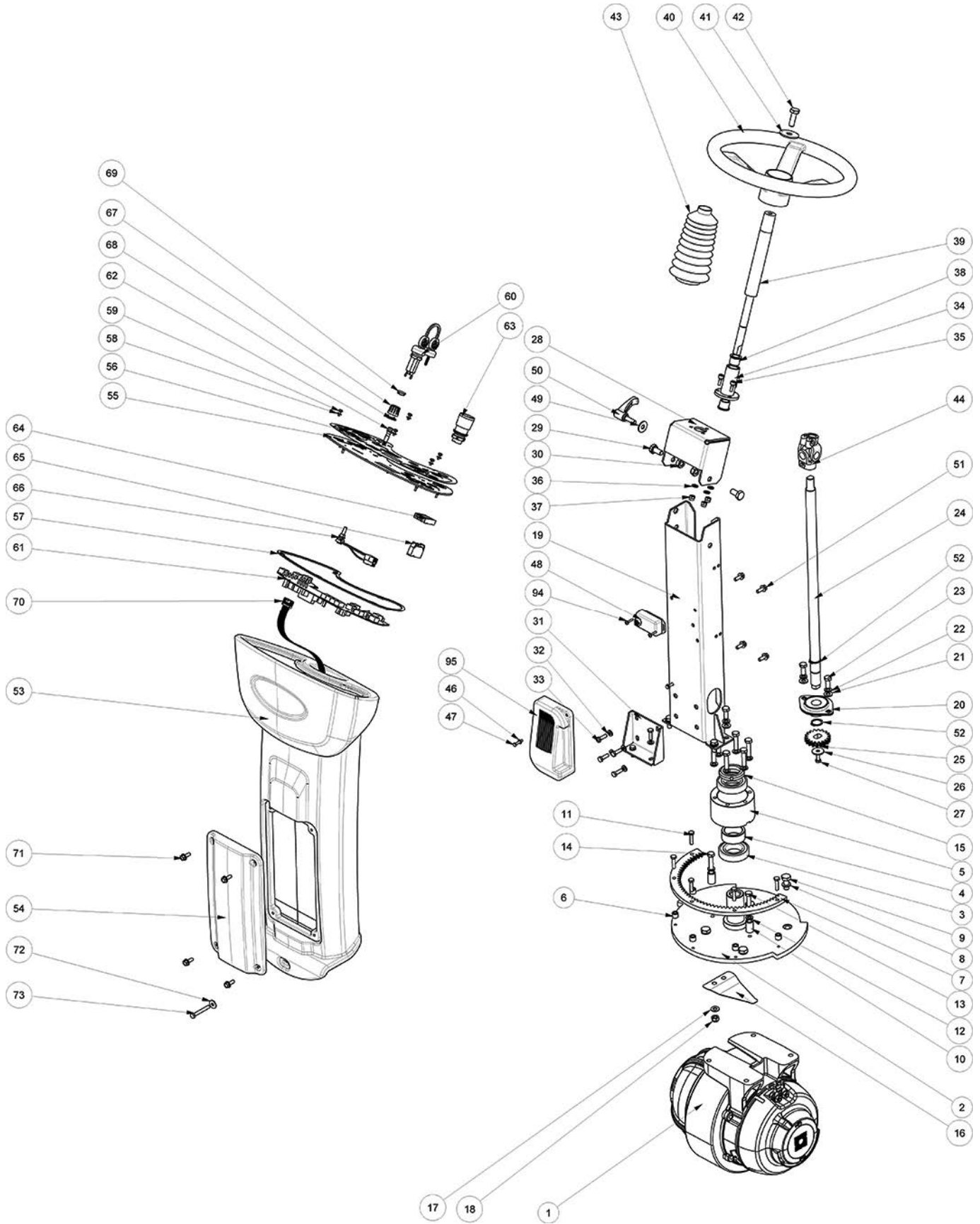
CONTROL CONSOLE AND DRIVE GROUP
(CURTIS CIRCUITBOARD - OLD VERSION)



**CONTROL CONSOLE AND DRIVE GROUP
(CURTIS CIRCUITBOARD - OLD VERSION)**

Ref.	Part No.	Mfr. Date	Description	Qty.
1	KTRI02209	()	Kit Motorwheel Ct110	1
2	LAFN06364	()	Plate Sterzo	1
3	CUVR00120	()	Bearing 6007- 2rs1	2
4	LAFN06523	()	Spacer, D48xd36,5x20	1
5	LAFN06522	()	Plate Ct110	1
6	897406	()	Spacer, Rnd, 6,5b 12d 10	5
7	LAFN06373	()	Brake Ct110	1
8	897392	()	Washer D.10	4
9	897393	()	Screw, Te, M10x25, Uni5740	4
10	LAFN06387	()	Steering, Bushing	2
11	897532	()	Screw, Te, M6x25, Uni5739, Inox	5
12	897216	()	Washer, D. 8, Grw, Uni1751, Inox	8
13	897243	()	Screw Te M8x35 Uni5739 Inox	7
14	897232	()	Screw, Te, M8x50, Inox, A2	1
15	VTVR75747	()	Ring Nut Autoblok M 35 X 1,5 Guk	1
16	LAFN11085	()	Steering Cable Protection	1
17	897152	()	Washer, D.8, Uni6592, Inox	1
18	VTDD01701	()	Nut M8 Inox+Zin.	1
19	LAFN06362	()	Steering Colum	1
20	897283	()	Support	1
21	897152	()	Washer, D.8, Uni6592, Inox	6
22	897216	()	Washer, D. 8, Grw, Uni1751, Inox	6
23	897316	()	Screw, Te, M8x20, Uni5739, Inox	6
24	LAFN06374	()	Steering Colum, Shaft	1
25	897396	()	Sprocket, Steering	1
26	897305	()	Washer, M6x24, Uni6593, Inox	1
27	897128	()	Screw Te 6x16 Uni5739	1
28	LAFN06365	()	Bracket, Steering, Sppt	1
29	VTVT13936	()	Screw, M10x20	2
30	VTDD00493	()	Nut, M10	2
31	LAFN06508	()	Steering Bracket	1
32	897106	()	Washer, Flat, 6,00x11,00x1,6, Ss	6
33	897287	()	Screw, Te, M6x20, Uni5739, Inox	6
34	LAFN00149	()	Bushing	1
35	VTVT09913	()	Screw Tcei 6x16 Uni5931	3
36	VTRS00503	()	Washer D. 6 Uni 6592	3
37	VTDD00491	()	Nut M 6 Tef	3
38	897398	()	Bushing, 15b 24d 17.5	2
39	ALTR00031	()	Steering Shaft	1
40	897400	()	Wheel, Steering 320mm	1
41	897401	()	Washer, M10x40x2,5, Uni6593, Zb	1
42	VTVT00232	()	Screw Exagonal Head M10x30	1
43	MPVR05237	()	Steering Column, Protection	1
44	897397	()	Joint, Steering	1
46	897156	()	Washer, D. 4, Inox	2
47	VTVT00727	()	Screw Te M 4,20	2
48	MECE00895	()	Electronic Card,RelayTimer [T681]	1
49	897120	()	Washer, D.8x24, Uni6593, Inox	1
50	MPVR05250	()	Handle M8x25	1
51	VTVT62920	()	Screw Te F/Rond. M 6x 16 Zb	4

CONTROL CONSOLE AND DRIVE GROUP - Contd
(CURTIS CIRCUITBOARD - OLD VERSION)



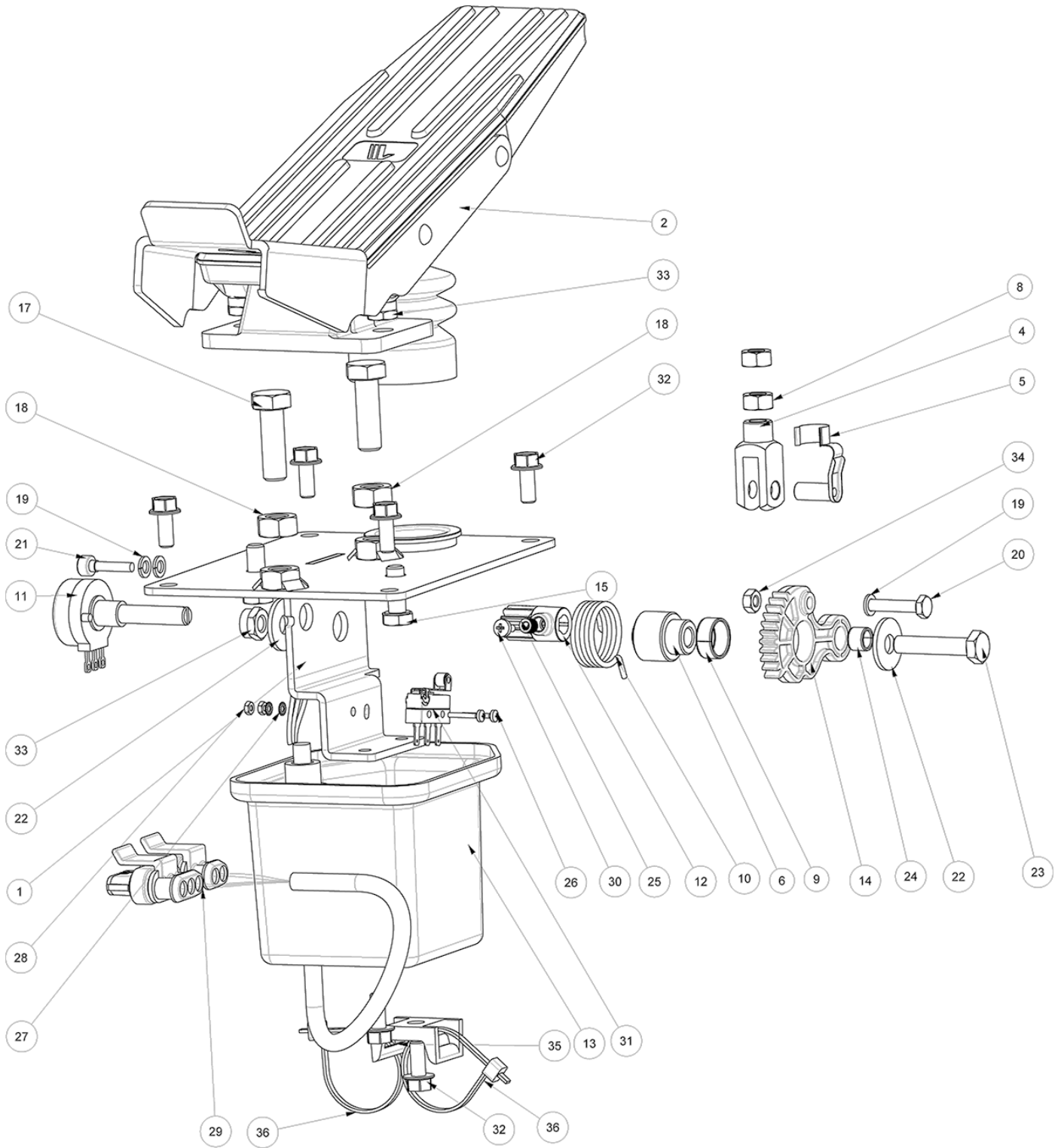
**CONTROL CONSOLE AND DRIVE GROUP - Contd
(CURTIS CIRCUITBOARD - OLD VERSION)**

Ref.	Part No.	Mfr. Date	Description	Qty.
52	897280	()	Circlip, D. 20, Uni7435	2
53	MPVR13113	()	Side Panel [T681]	1
54	MPVR13114	()	Cover [T681]	1
55	LAFN11711	()	Plate, Panl, Cntrl	1
56	KTRI06379	()	Label Kit [T681]	1
57	GUVR00286	()	Solution Tank, Gasket	1
58	897156	()	Washer, D. 4, Inox	5
59	897180	()	Screw, M4x10, Tcb, Tc, Inox	5
▽ 60	MECI00723	()	Switch, Key	1
▲	MEVR00093	()	Key Spare Battery Version	1
61	MECE00451	()	Circuitboard Assy, Control [T681]	1
62	MEVR02058	()	Traction, Status, Led	1
63	MECI00582	()	Button	1
64	MECI00583	()	Bracket	1
65	MECI00584	()	Contact -	1
66	KTRI05576	()	Kit Potentiometer Speed Contr	1
67	MEVR01573	()	Small Knob 2200 V6	1
68	MEVR01574	()	Ring Nut 2204	1
69	MEVR01575	()	Cap 2202	1
70	MECB01099	()	Cable Flat	1
71	VTVT162920	()	Screw Te F/Rond. M 6x 16 Zb	4
72	897112	()	Washer, Flat, 6,00x18,00x1,6	1
73	897450	()	Screw Te M6x45 Inox	1
74	LAFN11711	()	Plate, Panl, Cntrl	1
94	VTVT72043	()	Screw Tctc Uni 7687 4x16 Zb	2
95	MECE00450	()	Circuitboard Assy, Traction (S/N: < LPTB03308 / 03309- 00004)	1

▽ ASSEMBLY

▲ INCLUDED IN ASSEMBLY

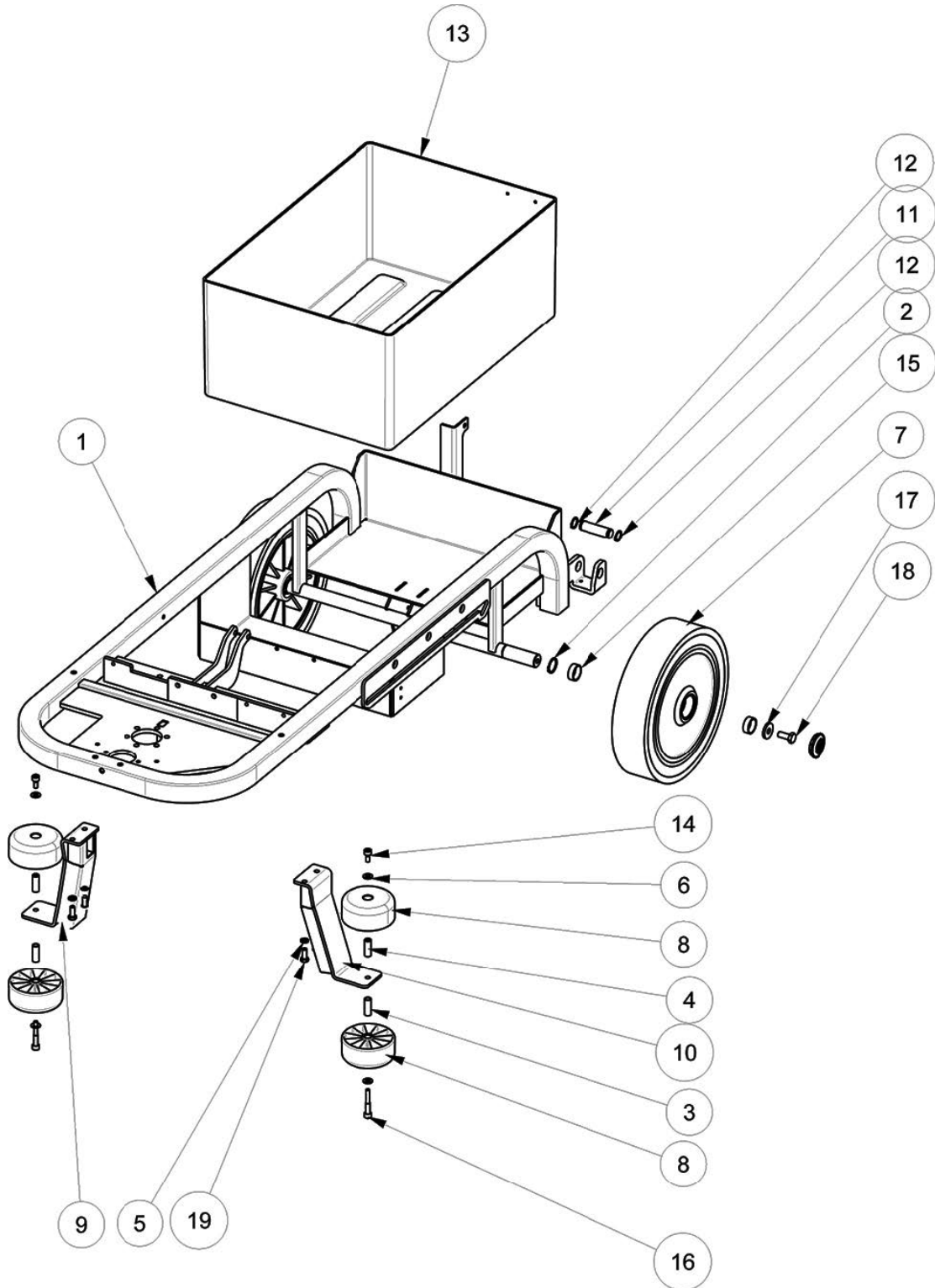
ACCELERATOR PEDAL GROUP



ACCELERATOR PEDAL GROUP

Ref.	Part No.	Mfr. Date	Description	Qty.
1	LAFN11697	()	Support	1
2	LAFN06429	()	Pedal Ct110	1
4	CMCV76639	()	Fork M 6 Uni 1676	1
5	CMCV75717	()	Clip Uni 1676 M6	1
6	LAFN11699	()	Pin	1
8	VTDD00482	()	Nut M 6 Zin Uni 5588	2
9	LAFN11228	()	Bushing	1
10	MLML00537	()	Spring	1
11	MEVR02667	()	Potentiometer	1
12	MTCR00114	()	Gear M1 Z12	1
13	MPVR13162	()	Covering	1
14	MPVR13234	()	Rod, Connecting	1
15	897128	()	Screw Te 6x16 Uni5739	2
17	VTVT00447	()	Screw Te 8x25 Uni5739	2
18	VTDD00483	()	Nut M 8 Zin Uni 5588	2
19	897204	()	Washer, D.4, Grover, Uni1751, A2	6
20	09228	()	Screw, Hex, M4 x 0.70 x 20, 8.8	1
21	VTVT01556	()	Screw M4x16 Uni5931 A2	1
22	VTRS04026	()	Washer D. 6x18x2.38	2
23	VTVT00245	()	Screw Te M6x30 Uni 5739	1
24	CUVR00302	()	Bushing Cb90 0606	1
25	VTVR01080	()	Insert	1
26	VTVT01592	()	Screw Tc 2x12	2
27	VTRS00581	()	Washer D.2	2
28	VTDD00213	()	Nut M2	2
29	MECB02288	()	Wiring	1
30	VTVT00834	()	Screw M 3x 6 Tcb- Tc lx U.7687	1
31	MECI00588	()	Microswitch -	1
32	VTVT00005	()	Screw, Hex, M5 X 0.80 X 12	6
33	VTDD01700	()	Nut, M6 Inox+Zin.	3
34	VTDD00147	()	Nut M 4 Inx U.5588	1
35	FSVR00243	()	Base Cable Tie, Plastic	1
36	FSVR00052	()	Clamp 2.5x100	2

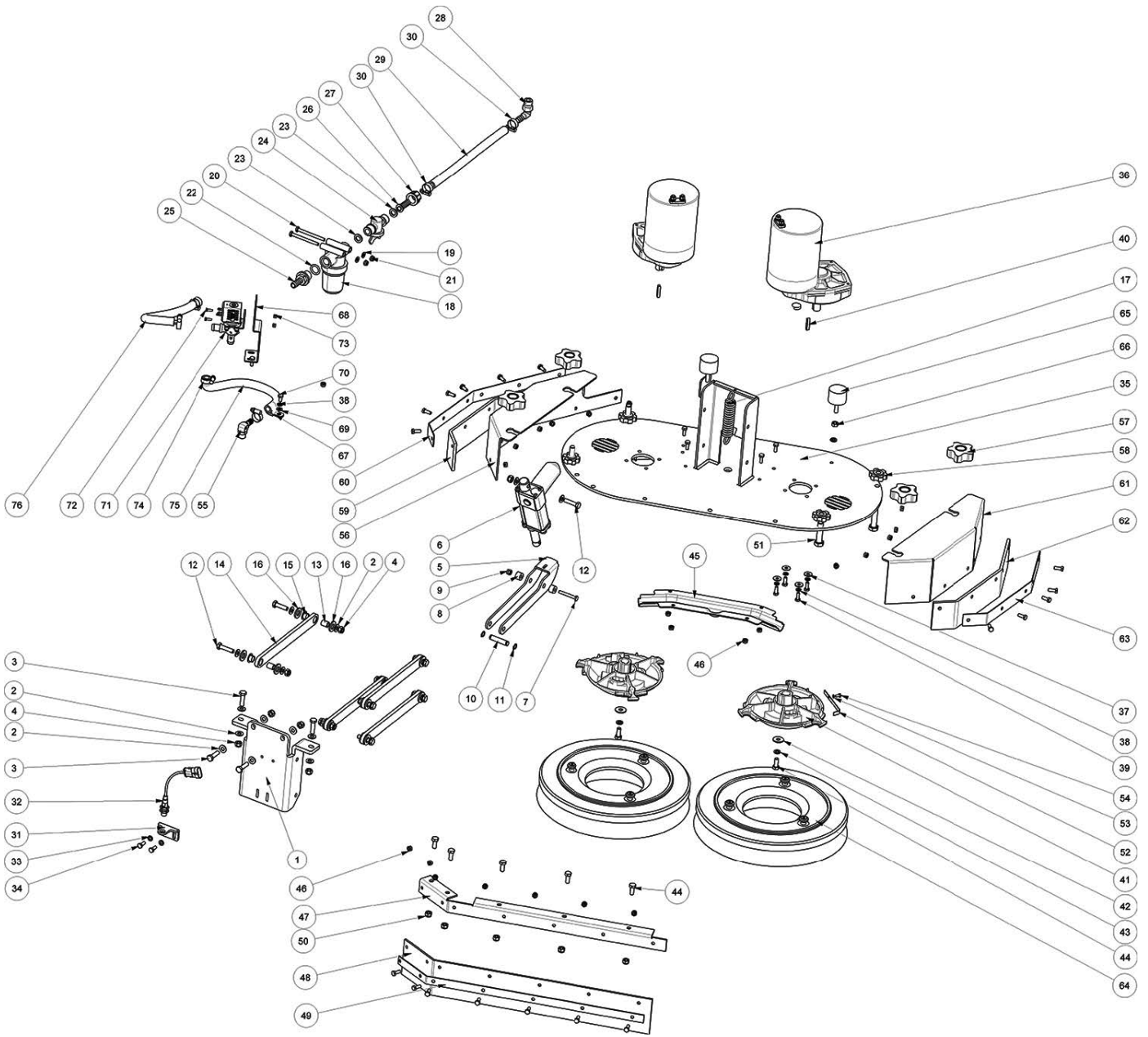
FRAME GROUP, 70CM DISK MODEL



FRAME GROUP, 70CM DISK MODEL

Ref.	Part No.	Mfr. Date	Description	Qty.
1	LAFN06360	()	Chassis	1
2	VTAE00018	()	Circlip E25	2
3	LAFN11995	()	Spacer Loly 700	2
4	LAFN06472	()	Pin Ruota	2
5	897216	()	Washer, D. 8, Grw, Uni1751, Inox	4
6	897152	()	Washer, D.8, Uni6592, Inox	4
7	RTRT00539	()	Wheel, Rear, Pyu [T681]	2
8	RTRT00510	()	Wheel Bumper Ral7040	4
9	LAFN11558	()	Support	1
10	LAFN11559	()	Support	1
11	LAFN06433	()	Solution Tank Pin, Rotation	2
12	VTAE06761	()	Circlip, D.18	4
13	MPVR05217	()	Battery Box	1
14	VTVT01118	()	Screw Tcei M 8x16 Zc. Uni 5931	2
15	LAFN08995	()	Arm Portaruota Tergi P185	4
16	VTVT09650	()	Screw, M8x50, Uni5931	2
17	LAFN04144	()	Washer, Rear Wheels	2
18	897393	()	Screw, Te, M10x25, Uni5740	2
19	897316	()	Screw, Te, M8x20, Uni5739, Inox	2

SCRUB HEAD GROUP, 70CM DISK



SCRUB HEAD GROUP, 70CM DISK

Ref.	Part No.	Mfr. Date	Description	Qty.	
1	LAFN06383	()	Brush Head, Arm	1	
2	897152	()	Washer, D.8, Uni6592, Inox	25	
3	897246	()	Screw, Te, M8x30, Uni5739, Inox	8	
4	VTDD01701	()	Nut M8 Inox+Zin.	12	
5	LAFN07636	()	Brush Head, Arm	1	
6	MOCC00323	()	Actuator Brush Head Ct110	1	
7	VTVT01684	()	Screw, M6x45	1	
8	LAFN04187	()	Spacer Per Riduttore	2	
9	VTDD01699	()	Nut M6 Inox+Zinc.B.	1	
10	LAFN51065	()	Brush, Actuator, Pin	1	
11	VTAE87276	()	Seeger Ext. D10 Din471	2	
12	897243	()	Screw Te M8x35 Uni5739 Inox	5	
13	897526	()	Bushing, Sleeve, 8b 12d 15l	8	
14	LAFN11145	()	Lever Head Ct110	4	
15	CUVR00130	()	Bearing Strisciamento	8	
16	897215	()	Washer, D.12x24, Uni6592, Inox	16	
17	MLML00241	()	Spring Brush Pres. Ct110- 160- 230	1	
▽	18	FTAC00038	()	Filter Solution Tank G1/2	1
▲		FTAC00047	()	Screen, Filter	1
▲		GUVR00311	()	Gasket Ftac00038	1
19	897106	()	Washer, Flat, 6,00x11,00x1,6, Ss	2	
20	VTVT00699	()	Screw, M6x70	2	
21	VTDD01700	()	Nut, M6 Inox+Zin.	1	
22	GUG036290	()	O- Ring D. 17.04 X 3.53 Nbr 70sh	2	
23	GUG000427	()	Gasket -	1	
24	9018454	()	Water, Valve, Soltn	1	
25	RCVR00540	()	Connector	1	
26	RCVR00744	()	Connector -	1	
27	MPVR05240	()	Ring Nut G1/2	1	
28	RCVR00109	()	Curve 90°	1	
29	897256	()	Tube Flex D.12x3 Armorv.Pvc Tr	1	
30	897362	()	Clamp, Hose, Wormdrive, 12- 20d	3	
31	LAFN06386	()	Steering Sensor,Support	1	
32	MECI00535	()	Sensor -	1	
33	897129	()	Washer, D.6, Grw, Uni1751, Inox	2	
34	897128	()	Screw Te 6x16 Uni5739	2	
35	LAFN11095	()	Brush Head, Plate	1	
▽	36	9017792	()	Motor, Brush, 24vdc	2
▲		MEVR02923	()	Vr, Brush Kit, Motor, Brush [4 Pc]	4
37	897112	()	Washer, Flat, 6,00x18,00x1,6	8	
38	897129	()	Washer, D.6, Grw, Uni1751, Inox	9	
39	897128	()	Screw Te 6x16 Uni5739	31	
40	VTVR16617	()	Key 6x 6x30 Uni 6604	2	
41	MFVR00242	()	Drive Disk Conical Aluminium	2	
42	897120	()	Washer, D.8x24, Uni6593, Inox	2	
43	897216	()	Washer, D. 8, Grw, Uni1751, Inox	4	
44	897316	()	Screw, Te, M8x20, Uni5739, Inox	7	
45	MPVR11547	()	Water Distributor	1	

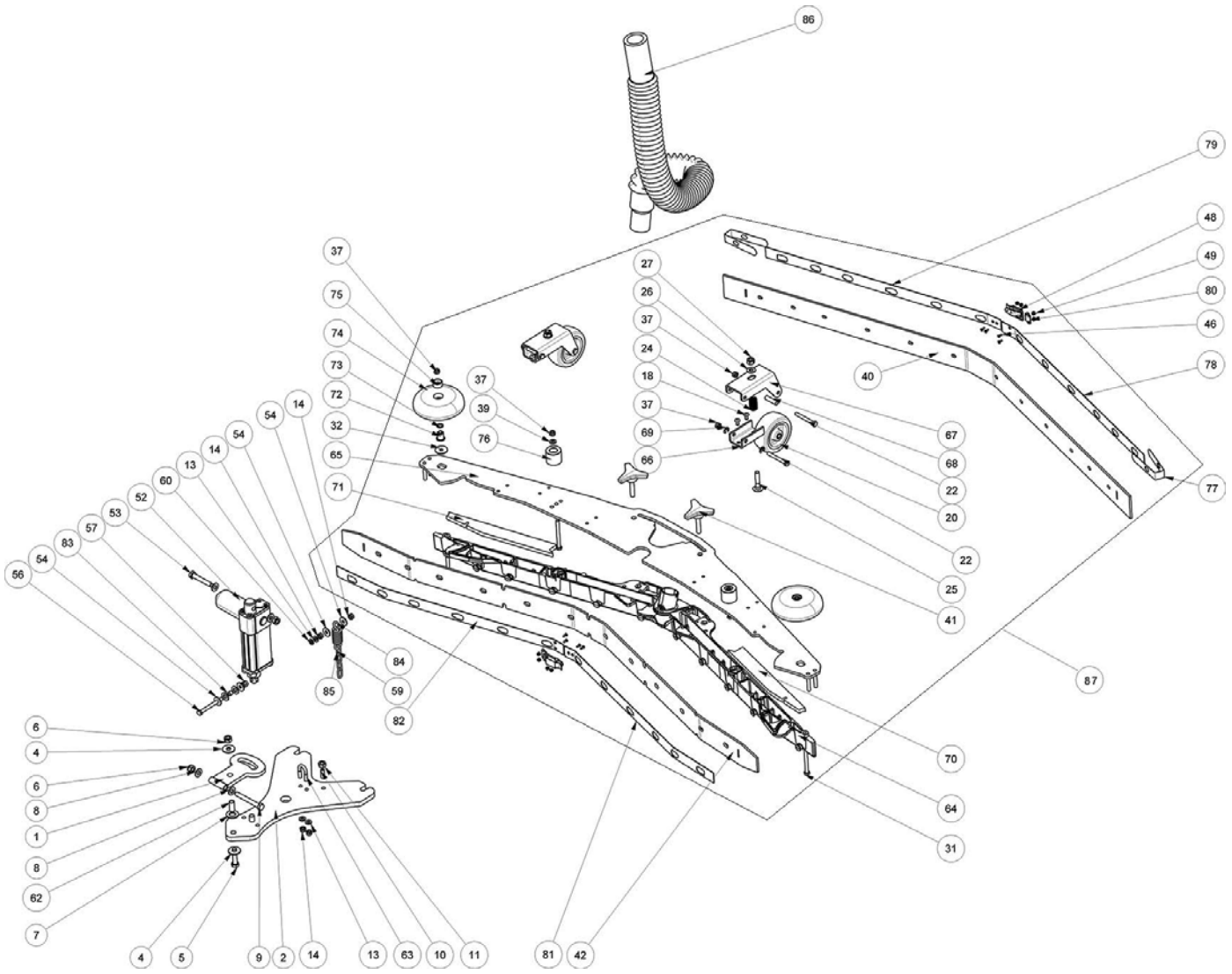
▽ ASSEMBLY

▲ INCLUDED IN ASSEMBLY

SCRUB HEAD GROUP, 70CM DISK - Contd

Ref.	Part No.	Mfr. Date	Description	Qty.
46	VTDD01700	()	Nut, M6 Inox+Zin.	23
47	LAFN06950	()	Bracket	1
48	MPVR05647	()	Flap	1
49	LAFN06426	()	Bracket	1
50	VTDD01701	()	Nut M8 Inox+Zin.	5
51	VTVT28885	()	Screw Te M 12x 50 Uni 5739 Inox	4
52	MLML00350	()	Spring Alum. Conical Driver	2
53	897204	()	Washer, D.4, Grover, Uni1751, A2	2
54	897313	()	Screw, Tcb, Tc, M4x10	2
55	RCVR45752	()	Hose Fitting L 3/8m - D.10 Pls.	1
56	LAFN06958	()	Right Brush, Cover	1
57	MPVR05461	()	Knob -	4
58	MPVR05312	()	Side Flap Adjustment Knob	4
59	MPVR05222	()	Flap, Rh Side, Skirt	1
60	LAFN07080	()	Right Fixed Flap, Plate	1
61	LAFN07045	()	Plane Sx 700	1
62	MPVR05223	()	Flap, Lh Side, Skirt	1
63	LAFN07081	()	Left Fixed Flap ,Plate	1
64	9017820	()	Driver Assy, Pad, 35cm, 3- Lug	2
65	ABG000019	()	Bumper	2
66	897229	()	Nut, M8, Uni5588, Inox, A2	2
67	897364	()	Clamp, Stl, 16d, Insulated	1
68	LAFN05835	()	Bracket Portaelettrovalvola	1
69	VTRS00503	()	Washer D. 6 Uni 6592	1
70	897130	()	Screw, Te, M6x12, Uni5739, A2	1
71	MEEV00044	()	Solenoid Valve	1
72	897453	()	Screw, Te, M4x12, Uni5739, Inox	2
73	897160	()	Nut, M4, Inox, Zn	2
74	897362	()	Clamp, Hose, Wormdrive, 12- 20d	3
75	897256	()	Tube Flex D.12x3 Armorv.Pvc Tr	1
76	897256	()	Tube Flex D.12x3 Armorv.Pvc Tr	1

SQUEEGEE GROUP, 70CM DISK MODEL



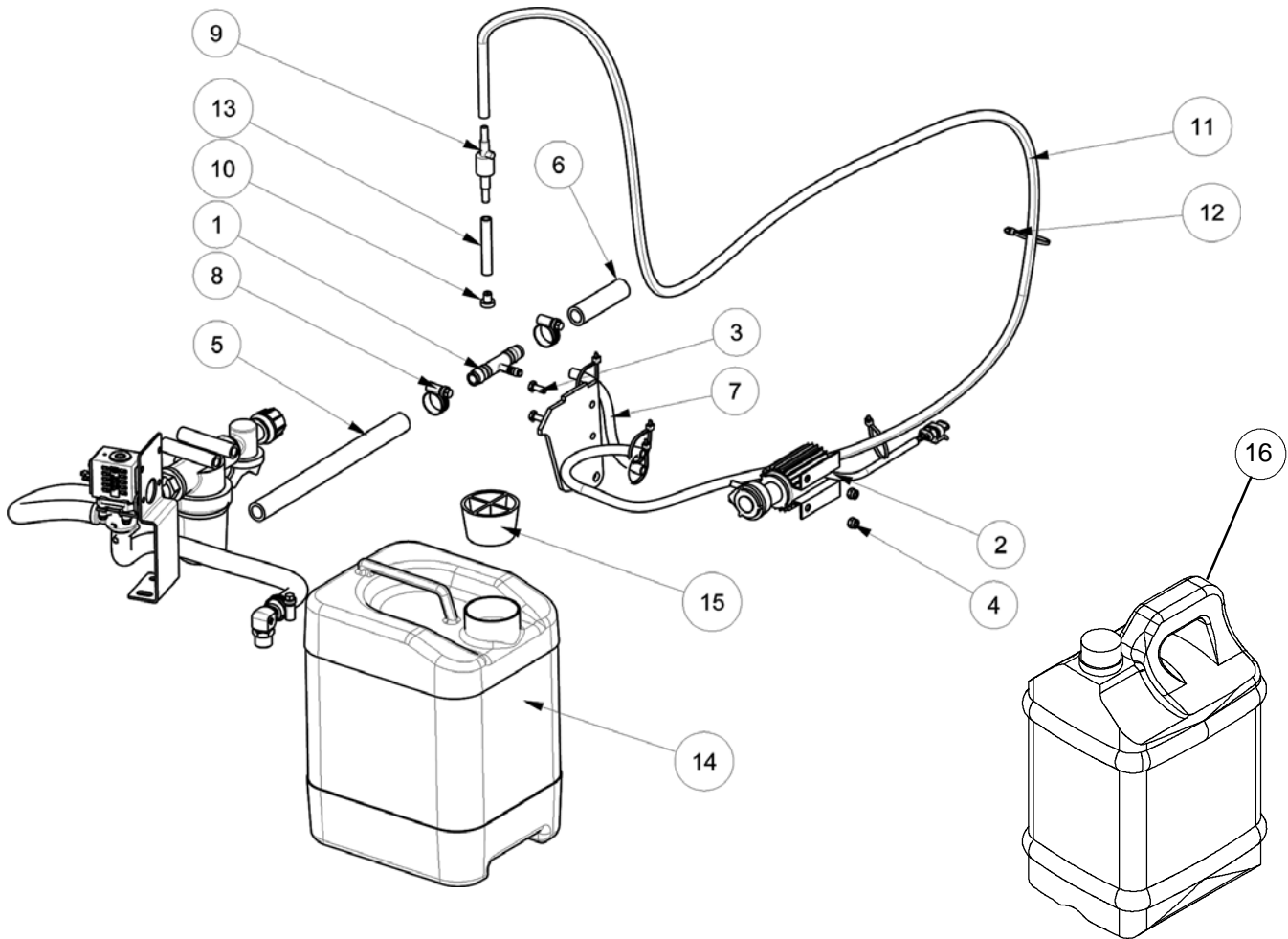
Ref.	Part No.	Mfr. Date	Description	Qty.
1	LAFN09010	()	Support -	1
2	LAFN09241	()	Squeegie, Metal Plate	1
4	897120	()	Washer, D.8x24, Uni6593, Inox	2
5	897243	()	Screw Te M8x35 Uni5739 Inox	1
6	VTDD01701	()	Nut M8 Inox+Zin.	3
7	897215	()	Washer, D.12x24, Uni6592, Inox	1
8	897152	()	Washer, D.8, Uni6592, Inox	6
9	897535	()	Screw	1
10	VTVT01145	()	Squeegie, Spacer	1
11	897229	()	Nut, M8, Uni5588, Inox, A2	1
13	897106	()	Washer, Flat, 6,00x11,00x1,6, Ss	3
14	VTDD01700	()	Nut, M6 Inox+Zin.	4
18	VTVR01040	()	Rivet -	4
20	RTRT00540	()	Wheel D.8x32	2

SQUEEGEE GROUP, 70CM DISK MODEL

Ref.	Part No.	Mfr. Date	Description	Qty.
22	897115	()	Screw, M6x55, Ss	4
24	MLML49422	()	Spring D.15x 45 X1	2
25	VTVT01304	()	Screw, M8x40	2
26	897152	()	Washer, D.8, Uni6592, Inox	2
27	VTDD01701	()	Nut M8 Inox+Zin.	2
31	897114	()	Screw, M6x65, Ss	4
32	897305	()	Washer, M6x24, Uni6593, Inox	2
37	VTDD01700	()	Nut, M6 Inox+Zin.	4
39	897106	()	Washer, Flat, 6,00x11,00x1,6, Ss	2
40	9017814	()	Blade, Sqge, Rear, 1020l, Linatex (Standard)	1
40	9017804	()	Blade, Sqge, Rear, 1020l, Latex (Options)	1
40	9017811	()	Blade, Sqge, Rear, 1020l, Pyu (Options)	1
41	9018577	()	Knob, Sqge, 3ear	2
42	9017813	()	Blade, Sqge, Front, 1020l, Linatex (Standard)	1
42	9017801	()	Blade, Sqge, Front, 1020l, Latex (Options)	1
42	9017806	()	Blade, Sqge, Front, 1020l, Pyu (Options)	1
46	9018497	()	Bolt, Strap, Sqge	8
48	9018492	()	Latch, Strap, Sqge	2
49	9018496	()	Nut, Strap, Sqge	8
52	MOCC00322	()	Actuator Squeegee Ct110	1
53	897232	()	Screw, Te, M8x50, Inox, A2	1
54	897112	()	Washer, Flat, 6,00x18,00x1,6	4
56	897421	()	Screw Te M6x60 Uni5739 Inox	1
57	VTDD01699	()	Nut M6 Inox+Zinc.B.	1
59	MTCR00029	()	Small Chain L.16mm (Qty 1 = 1mt)	1
60	897129	()	Washer, D.6, Grw, Uni1751, Inox	1
62	LAFN35608	()	Spacer S. Block Bt 530	1
63	897251	()	Bracket, M6x11x29	1
64	897547	()	Body	1
65	LAFN11266	()	Plate Squeegee L	1
66	LAFN51069	()	Squeegee, Bracket, Wheel	2
67	LAFN05559	()	Support Ruotino	2
68	TBBP00124	()	Tube D 8/6	2
69	VTAE45707	()	Circlip D. 6 Uni 7434 Inox	4
70	897304	()	Gasket	1
71	897303	()	Gasket	1
72	897103	()	Spacer, 6.00b 12.00d 16.5l, Cpr	4
73	897102	()	O- Ring, 13.00 Od X 10.00 Id	1
74	897101	()	Wheel, Bmpr, 98,5d X 21,5w	1
75	897100	()	Sleeve, Nylon, 0,314b 0,72d 0,35l	1
76	MPVR06016	()	Bracket -	1
77	897307	()	Closure L	1
78	897654	()	Strap, Sqge, L, Rear, Lh	1
79	897654	()	Strap, Sqge, L, Rear, Lh	1
80	9018495	()	Hook, Strap, Sqge	1
81	897620	()	Strap, Sqge, L, Front, Lh	2
82	897613	()	Strap, Sqge, L, Front, Rh	2
83	897231	()	Bushing	2
84	MLML00342	()	Spring -	4
85	MTCR00029	()	Small Chain L.16mm (Qty 1 = 1mt)	1
86	KTRI04699	()	Kit Replacement Tbbp00402	1
87	PMVR06665	()	Squeegee Assy [T681 60- 70cm]	1

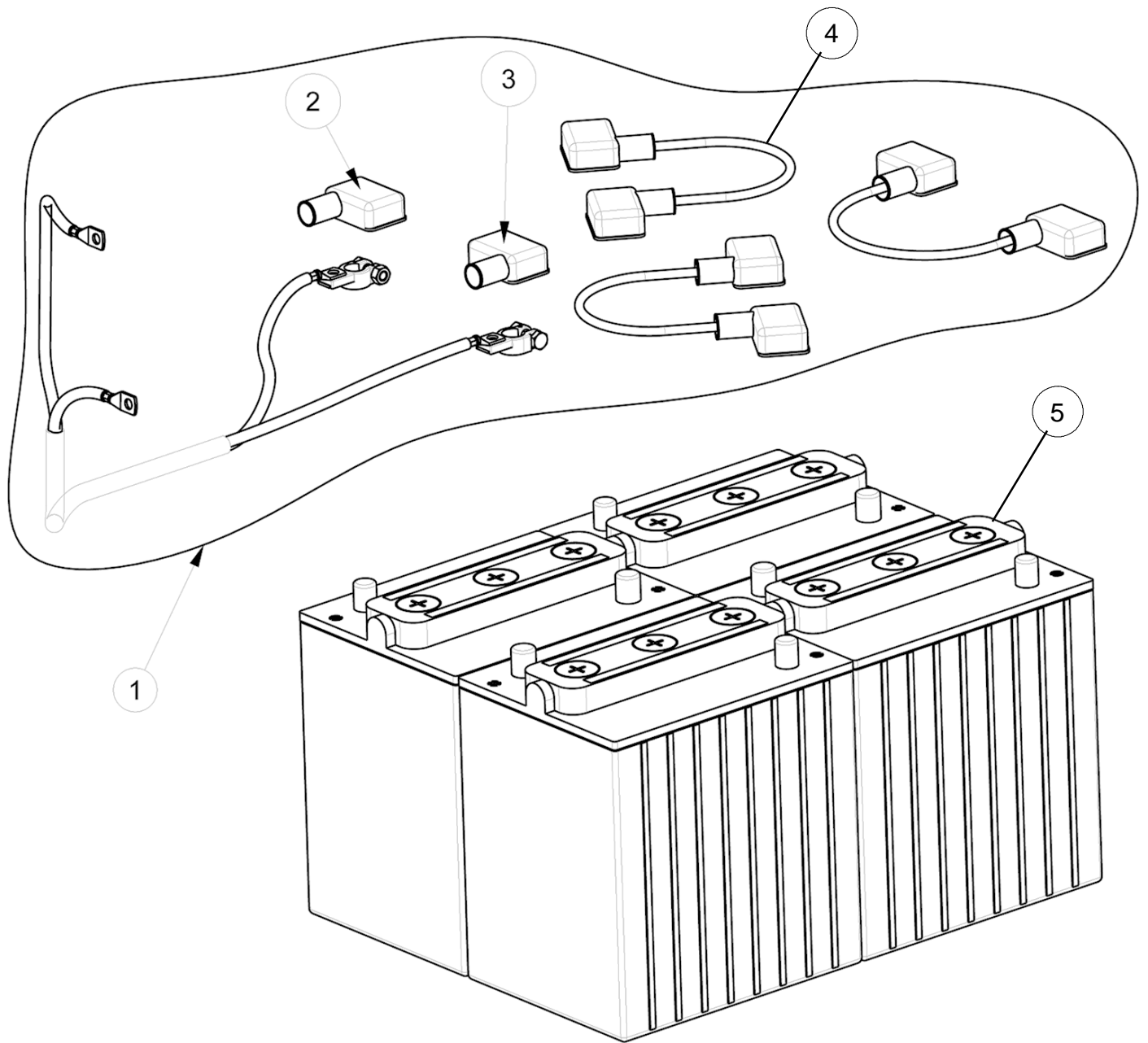
STANDARD PARTS

CHEM DOSE GROUP



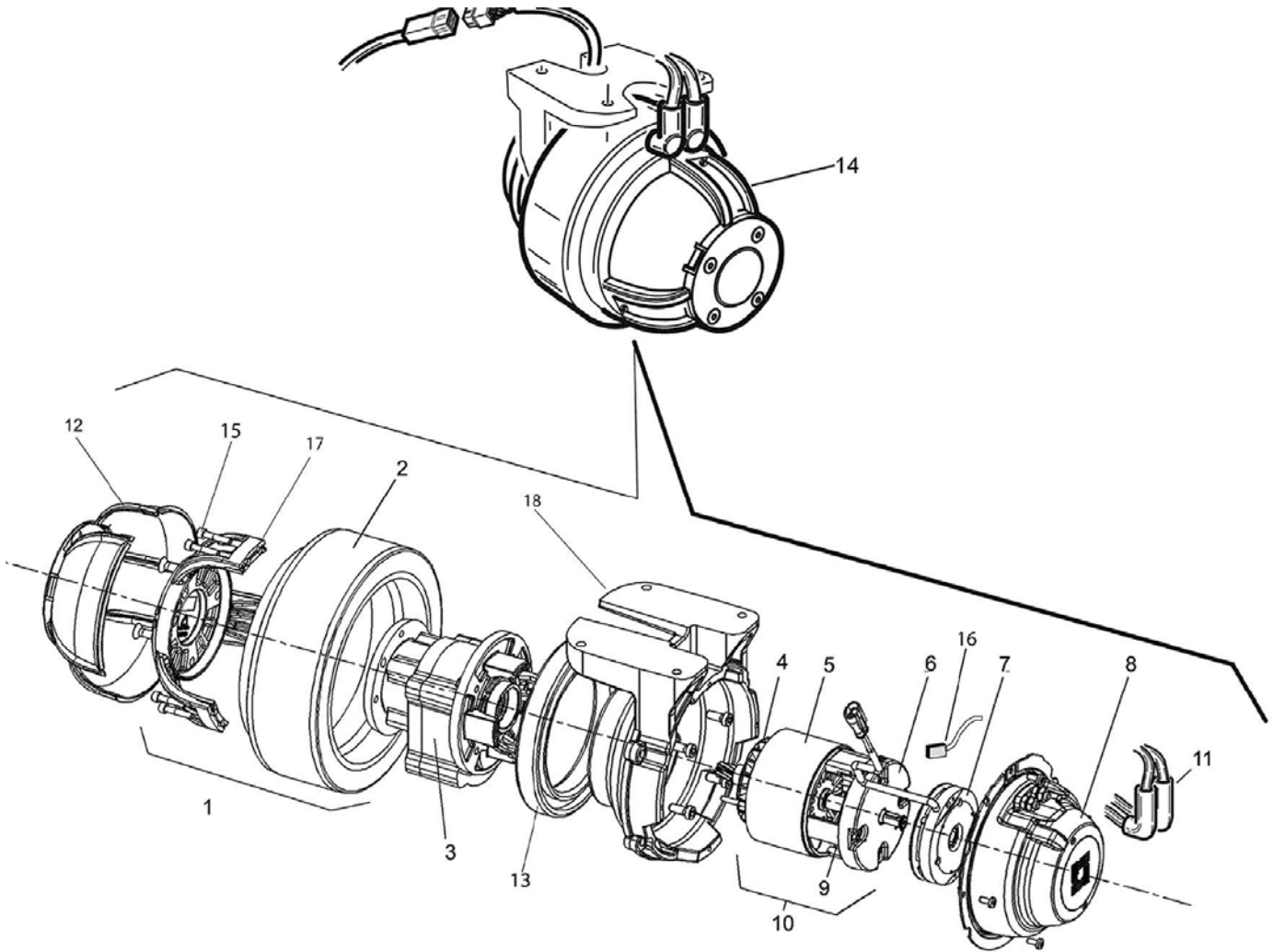
Ref.	Part No.	Mfr. Date	Description	Qty.
1	RCVR00745	()	Fitting, Tee, Detgt	1
2	PMVR01412	()	Pump Grpq24 24v	1
3	897459	()	Screw, M5x12, Te, Inox	2
4	VTDD15517	()	Nut M 5 lnx	2
5	897256	()	Tube Flex D.12x3 Armorv.Pvc Tr	1
6	897256	()	Tube Flex D.12x3 Armorv.Pvc Tr	1
7	1014985	()	Hose, Afmkt, Pvc, Clr, 0.25id, 08ft	1
8	897362	()	Clamp, Hose, Wormdrive, 12- 20d	2
9	RCGR00079	()	Valve	1
10	MPVR05275	()	Cap	1
11	1014985	()	Hose, Afmkt, Pvc, Clr, 0.25id, 08ft	1
12	FSVR00052	()	Clamp 2.5x100	5
13	1014985	()	Hose, Afmkt, Pvc, Clr, 0.25id, 08ft	1
14	MPVR13544	()	Tank, Detgt [T681]	1
15	MPVR13546	()	Cap, Tank, Detgt [T681]	1
16	1266139	()	Bottle, Chem- Dose, 1.25 Gal	1
16	9022660	()	Detergent- Ttcs Pure, 2.5 [1 Pick = 1ctn]	1
16	9022664	()	Detergent- Ttcs Yellow, 2.5 [1pick=1ctn]	1
16	9022697	()	Detergent- Ttcs Purple, 2.5 [1pick=1ctn]	1

AGM BATTERY GROUP



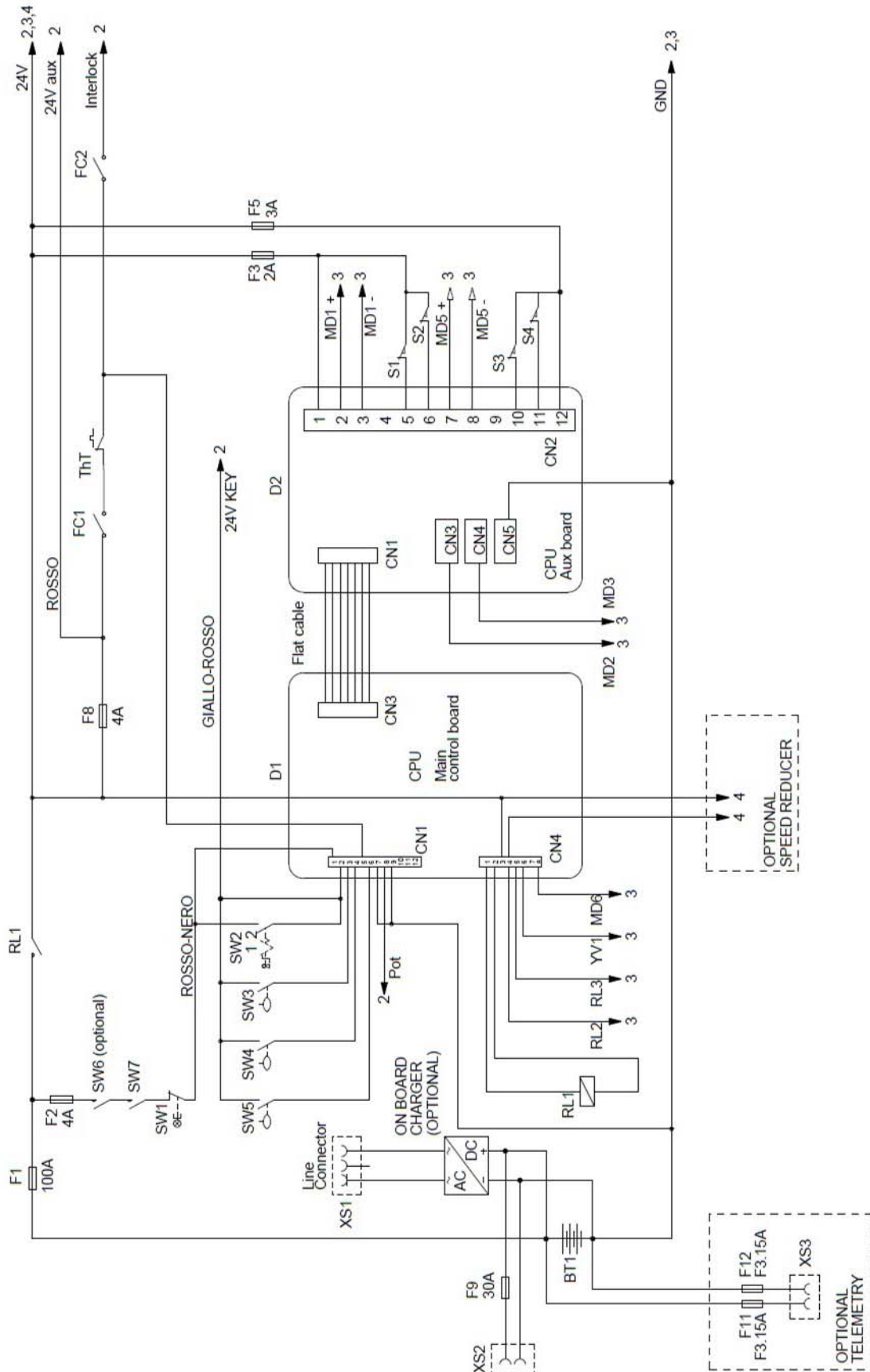
Ref.	Part No.	Mfr. Date	Description	Qty.
1	MECB02376	()	Harness, Battery [T681, Emea, Anz]	1
2	MEVR01425	()	Back Pvc Negative Terminal Cover Aty292	4
3	MEVR01424	()	Red Pvc Terminal Cover Art 290	4
4	897205	()	Wiring Battery Bridge W/Terminal	3
5	BAAC00177	()	Gel Battery, 6v, 180 Ah	4

DRIVE MOTOR WHEEL BREAKDOWN

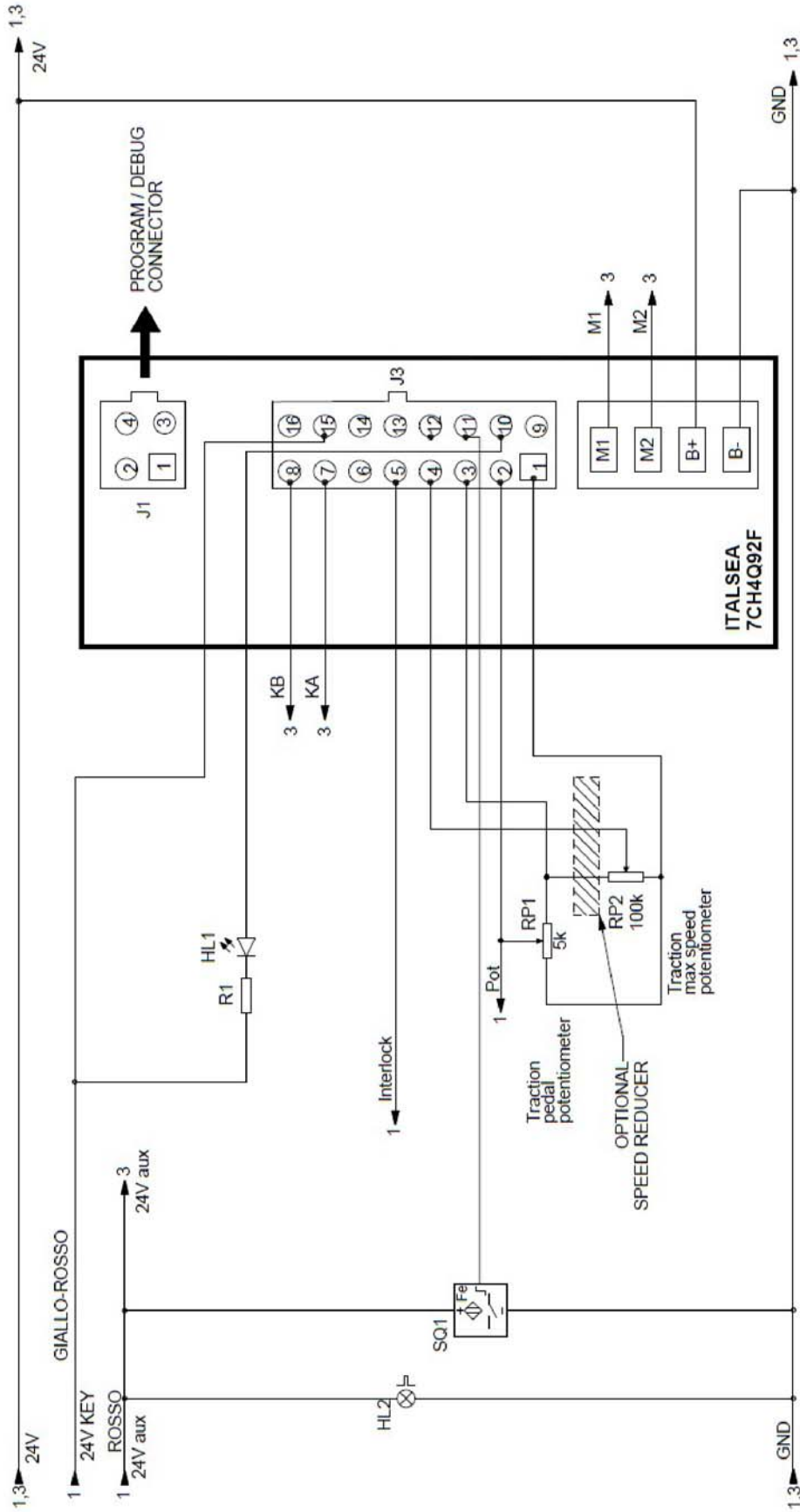


Ref.	Part No.	Mfr. Date	Description	Qty.
1	RTRT00533	()	Motorwheel, Ring Replmt	1
2	RTRT00533	()	Motorwheel, Ring Replmt	1
3	RDGR00040	()	Gear Box, Traction	1
4	KTRI05043	()	Motorwheel, Motor	1
6	MEVR02084	()	Motor Wheel, Motor, Cup	1
7	MEVR02030	()	Brake, Motor Wheel	1
8	MPVR06031	()	Left Motor Wheel, Cover	1
9	MEVR00985	()	Brush Carbon 10x18	4
10	MOCC00399	()	Motor, Traction	1
11	MEVR00889	()	Cable Cover	2
12	MPVR08044	()	Cover, Motorwheel	1
13	CUVR00194	()	Clamp 2.5x100	1
14	KTRI02209	()	Kit, Motorwheel	1
15	VTVT16676	()	Screw, M6x60	4
16	MEVR02902	()	Motor Wheel, Thermal Protector	1
17	MFVR00295	()	Gearbox , Motor Wheel Support	1
18	MFVR00296	()	Support, Front Wheel, Aluminum	1

ELECTRICAL DIAGRAM - Page 1 of 4



ELECTRICAL DIAGRAM - Page 2 of 4



ELECTRICAL DIAGRAM - Page 3 of 4

